



# PARTS CATALOG

## 100 H.P.

### SERIAL NUMBER

100 (1980)	.....	.1008B0A
100 (1980)	.....	.1008H0A

# TABLE OF CONTENTS:

ACCESSORIES .....	58
CARBURETOR .....	16
CRANKSHAFT AND PISTON GROUP .....	30
DISTRIBUTOR .....	12
ELECTRICAL COMPONENTS .....	6
ENGINE COVER AND SUPPORT PLATE .....	2
FUEL PUMP AND REED PLATE .....	20
FUEL TANK AND LINE .....	42
GEAR HOUSING .....	36
MOTOR LEG .....	32
PARTS INDEX .....	61
POWER HEAD .....	24
POWER TRIM UNIT .....	48
REMOTE CONTROL .....	44
SPECIAL TOOLS - GEAR HOUSING .....	54
SPECIAL TOOLS - LUBRICANTS AND SEALANTS .....	56
SPECIAL TOOLS - POWER HEAD .....	53
SPECIAL TOOLS - REPAIR DECALS - ENGINE COVERS .....	57
SPECIAL TOOLS - TEST EQUIPMENT .....	55
SPECIAL TOOLS - TUNE-UP .....	52
STARTER .....	10

**NOTE:** *Indented description indicate that these parts are included in preceding assembly.*

**AR** = As Required

**NSS** = Not Sold Separate

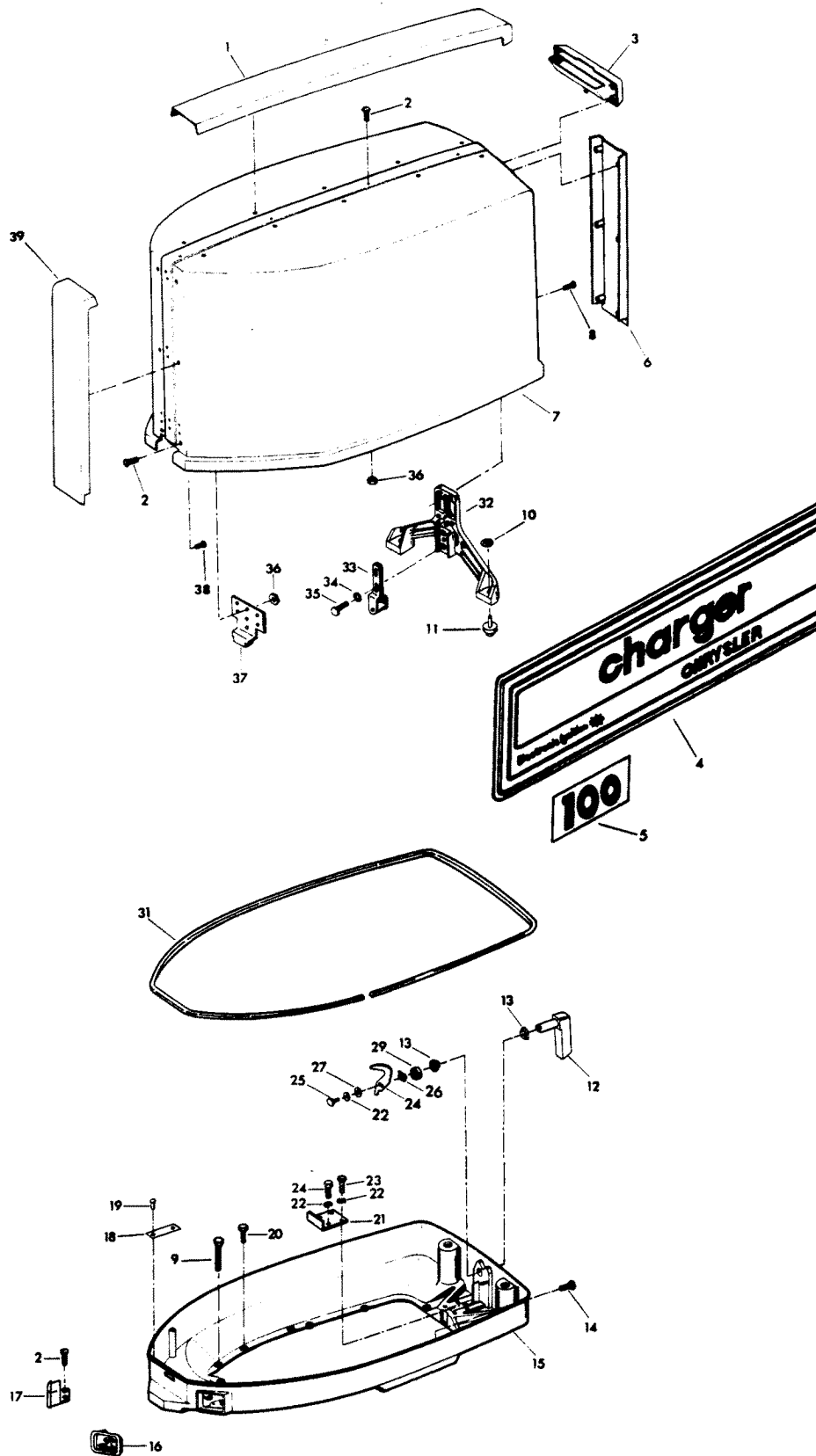
**OPT** = Optional

**NS** = Not Shown

**THESE PARTS BOOKS/FICHE CARD ARE COPYRIGHTED AND MAY NOT BE DISTRIBUTED OR REPRODUCED IN ANY OTHER FORMAT BY ANYONE OTHER THAN MERCURY MARINE WITHOUT THE PRIOR WRITTEN CONSENT OF MERCURY MARINE.**

THIS PAGE INTENTIONALLY LEFT BLANK

# ENGINE COVER AND SUPPORT PLATE

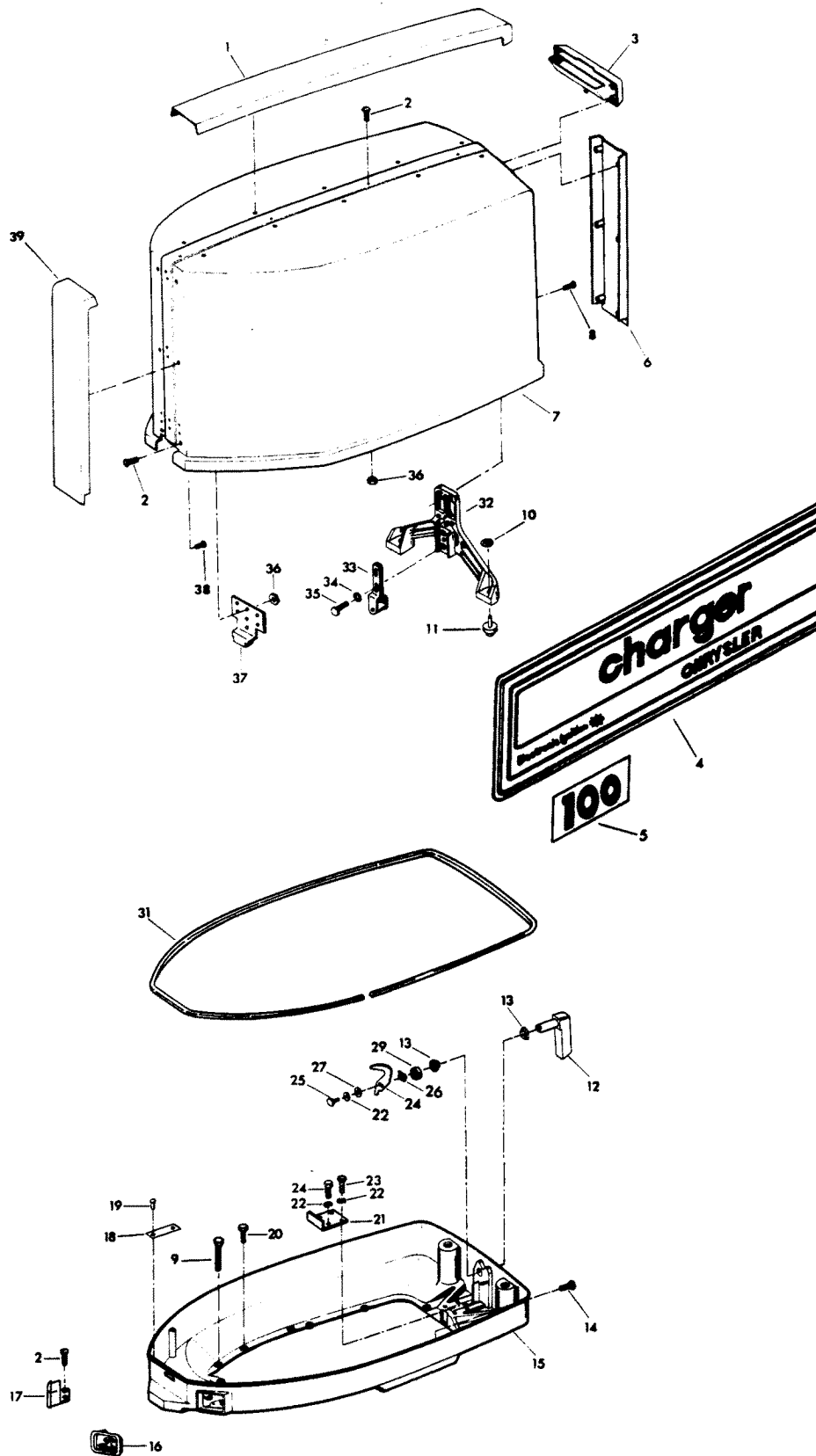


# ENGINE COVER AND SUPPORT PLATE

REF. NO.	PART NO.	SYM.	QTY.	DESCRIPTION
1	FA480179		1	TRIM TOP
2	F1733		10	PAN HD MACHINE SCREW, 10 - 24 X 9/16
3	FA480269		1	TILT HANDLE
4	FA588397		1	DECAL, ENGINE COVER PORT
-	<b>FA588396</b>		<b>1</b>	<b>DECAL, ENGINE COVER STBD.</b>
5	FA588386		1	DECAL, NUMERAL 100
6	FA552180		1	TRIM REAR
7	FA552944		1	ENGINE COVER W/RETAINER, SCREWS AND NUTS
-	<b>3C588944</b>		<b>1</b>	<b>ENGINE COVER COMPLETE INCLUDES ALL ITEMS MARKED WITH AN ASTERISK (*).</b>
8	F1730		3	PAN HD SCREW W/SPRING LOCKWASHER, 1/4 - 20 X 5/8
9	F1708		2	HEX HD CAP SCREW, 1/4 - 20 X 1 3/8
10	F2088		2	FASTENER
11	F481434		2	GUIDE, ENGINE COVER
12	FA481469		1	HANDLE W/SHAFT
13	F480818		2	BEARING
14	F1535		6	HEX CAP SCREW, 1/4 - 20 X 3/4
15	F480038-2		1	SUPPORT PLATE
16	F549189		1	BUSHING, ELECTRIC CABLE
17	F545189		1	BUSHING, CABLE ENTRY
18	FA535395		1	IDENTIFICATION PLATE W/SCREWS FOR U.S.A. MODELS
-	<b>FAC535395</b>		<b>1</b>	<b>IDENTIFICATION PLATE W/SCREWS FOR CANADA MODELS</b>
19	F1447		2	ROUND HD SCREW, 2 X 3/16
20	F1540		5	HEX SCREW, 1/4 - 20 X 5/8
21	F335654-1		1	DEFLECTION STOP
22	F8096		4	SPRING LOCKWASHER
23	F1857		2	HEX CAP SCREW, 5/16 - 18 X 5/8
24	F1858		2	HEX CAP SCREW, 5/16 - 18 X 1
25	F1541		1	HEX CAP SCREW, 1/4 - 20 X 5/8
26	F8083		1	SPRING LOCKWASHER
27	F8094		1	PLAIN WASHER
28	F481777		1	CAM, LATCH
29	F481382-1		1	SPACER, LATCH SHAFT
30	F2047		1	WAVE SPRING LOCKWASHER
31	F321756		1	PACKING, COVER
32	F481774		1	BRACKET, COVER LATCH
33	FA481743		1	ROLLER BRACKET
34	F8096		2	SPRING LOCKWASHER
35	F1857		2	HEX CAP SCREW, 5/16 - 18 X 5/8
36	F1473		7	HEX NUT

CONTINUED ON NEXT PAGE ➡

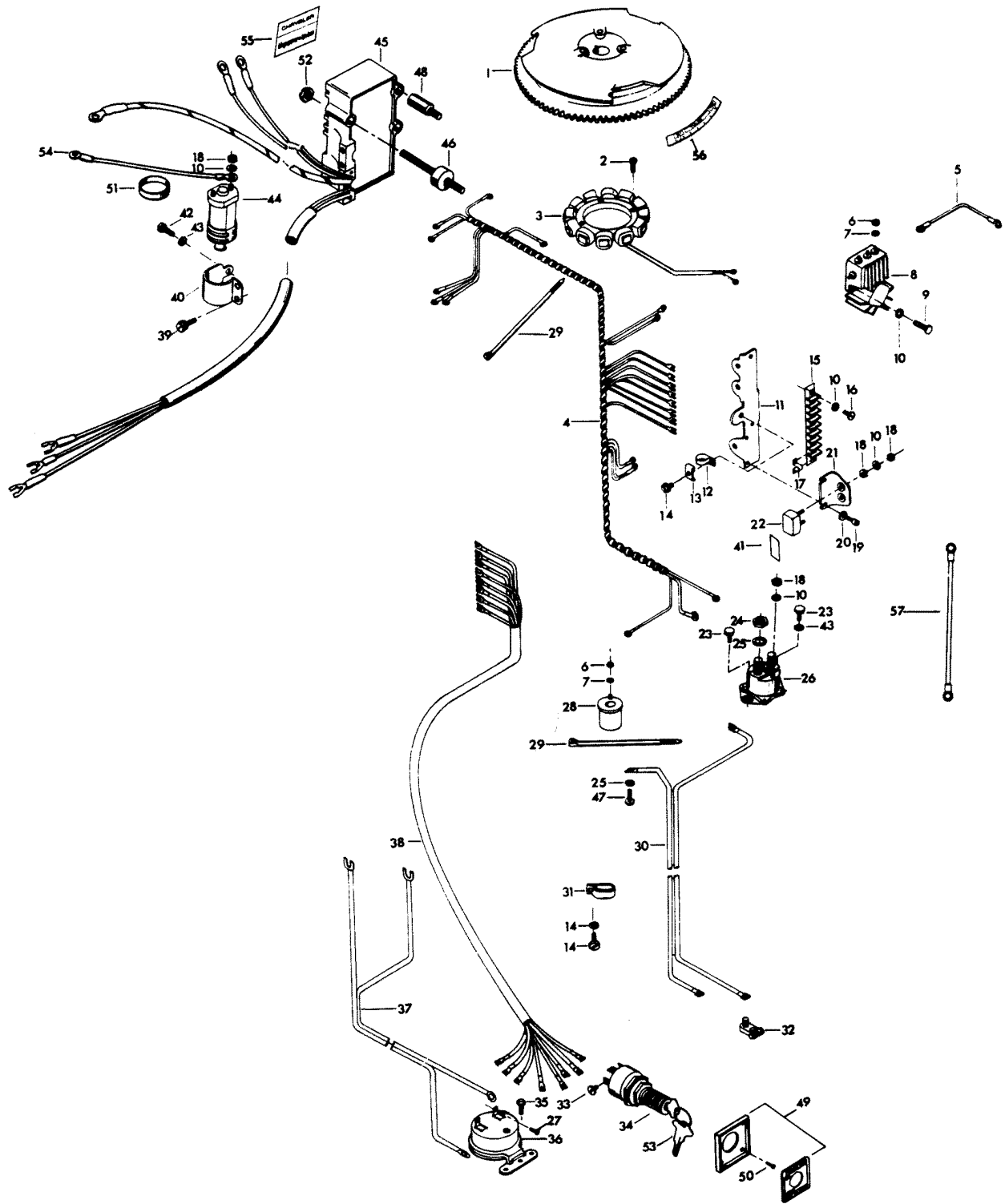
# ENGINE COVER AND SUPPORT PLATE



# ENGINE COVER AND SUPPORT PLATE

REF. NO.	PART NO.	SYM.	QTY.	DESCRIPTION
37	F373778-1		1	RETAINER, ENGINE COVER
38	F2066		30	PAN HD TAPPING SCREW, 10 X 7/16 (TRIM TO COVER)
39	FA552888		1	TRIM FRONT
-	<b>F548984</b>		<b>1</b>	<b>BLANKET, SILENCER TOP (NOT SHOWN)</b>
-	<b>F552985</b>		<b>2</b>	<b>BLANKET, SILENCER SIDE (NOT SHOWN)</b>

# ELECTRICAL COMPONENTS



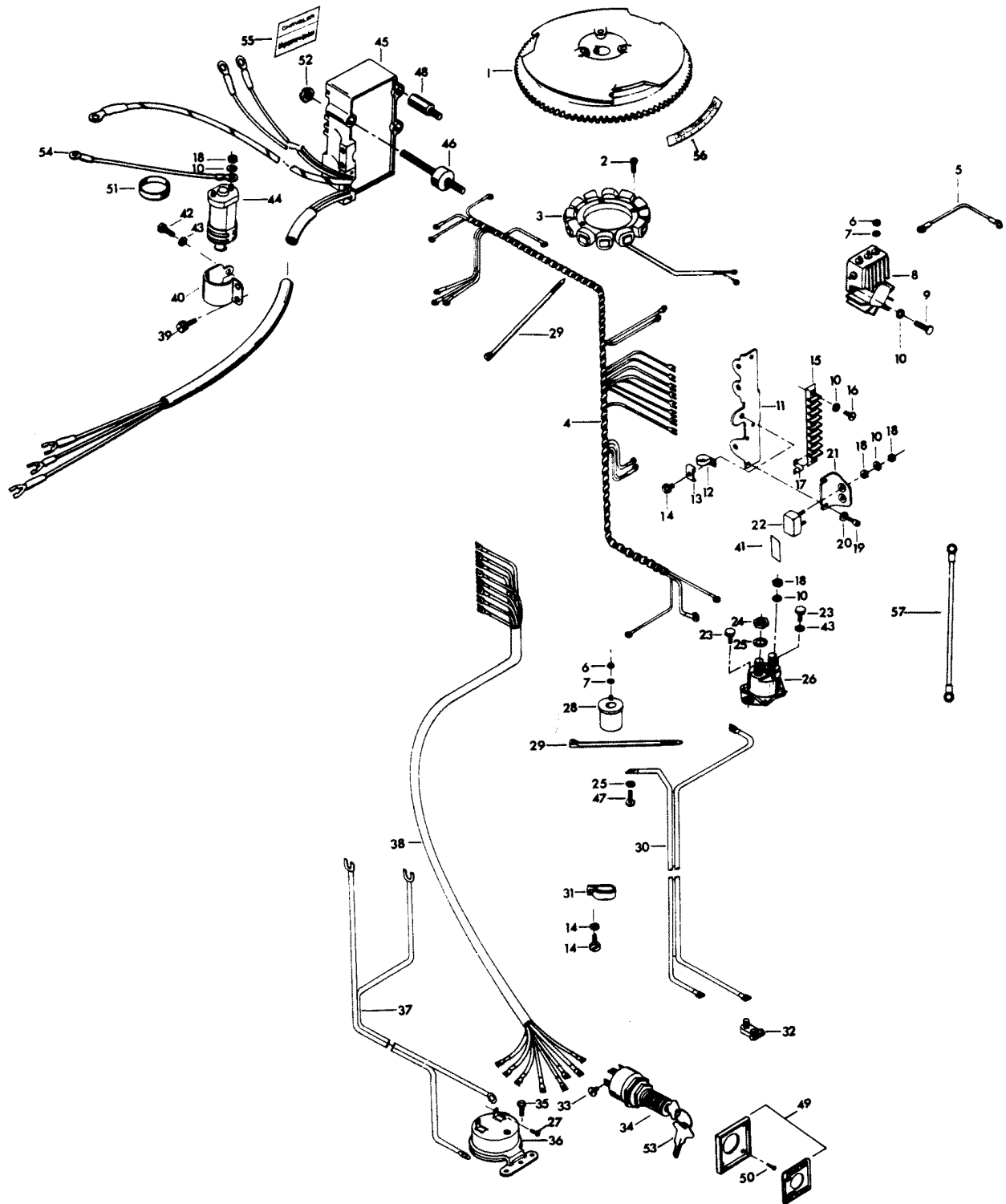


# ELECTRICAL COMPONENTS

REF. NO.	PART NO.	SYM.	QTY.	DESCRIPTION
1	F404097		1	FLYWHEEL
2	F1087		6	FILL HD SCREW, 10 - 24 X 13/16
3	F85095-2		1	STATOR
4	F438744-1		1	WIRING HARNESS
5	F345683		1	WIRE, REGULATOR-RECTIFIER GROUND
6	F1647		5	HEX NUT, 8 - 32
7	F8056		5	SPRING LOCKWASHER
8	F404470-1		1	REGULATOR-RECTIFIER
9	F2107		3	FILL HD SCREW, 10 - 24 X 5/8
10	F1975		9	SPRING LOCKWASHER
11	FA439493		1	TERMINAL BLOCK BRACKET
12	F289446-1		1	CLAMP
13	F438668		1	RETAINER, CABLE CLAMP
14	F1734		2	FILL HD SCREW W/LOCKWASHER, 1/4 - 20 X 1/2
15	FA510497		1	TERMINAL BLOCK
16	F1648		2	PAN HD SCREW, 10 - 24 X 3/4
17	F307317		1	CLIP, TERMINAL BLOCK
18	F1513		8	HEX NUT
19	F1760		2	PAN HD SCREW, 10 - 24 X 3/8
20	F8011		2	PLAIN WASHER
21	F91446-1		1	CIRCUIT BREAKER BRACKET
22	F510460		1	CIRCUIT BREAKER
23	F1536		2	HEX CAP SCREW, 1/4 - 20 X 3/4
24	F1515		2	HEX NUT
25	F8096		3	SPRING LOCKWASHER
26	F460917		1	STARTER RELAY
27	F1645		2	RD HD SCREW, 6 - 32 X 1/4
28	F85924		1	CHOKE SOLENOID
29	F1877		2	TY-RAP
30	F381896-4		1	BATTERY CABLE
31	F407446		1	CLAMP
32	F5H041		1	BATTERY TERMINAL KIT (ACCESSORY ITEM)
33	F1280		5	PAN HD SCREW, 8 - 32 X 1/4
34	F5H078		1	IGNITION SWITCH (LONG BARREL) W/KEYS AND SCREWS <b>(ACCESSORY ITEM)</b>
35	F1741		2	PAN HD SCREW, 8 X 3/4
36	F5H043		1	OVERHEAT BUZZER (ACCESSORY ITEM)
37	F404841		1	CABLE, HEAT INDICATOR
38	F85843-1		1	REMOTE ELECTRIC CABLE, 18 FEET
39	F1851		2	FILL HD SCREW W/LOCKWASHER, 10 - 24 X 1/2
40	F404513		1	COIL CLAMP
41	F510374		1	DECAL, CIRCUIT BREAKER U.S.A.
-	<b>FC510374</b>		<b>1</b>	<b>DECAL, CIRCUIT BREAKER - CANADA</b>

CONTINUED ON NEXT PAGE ➡

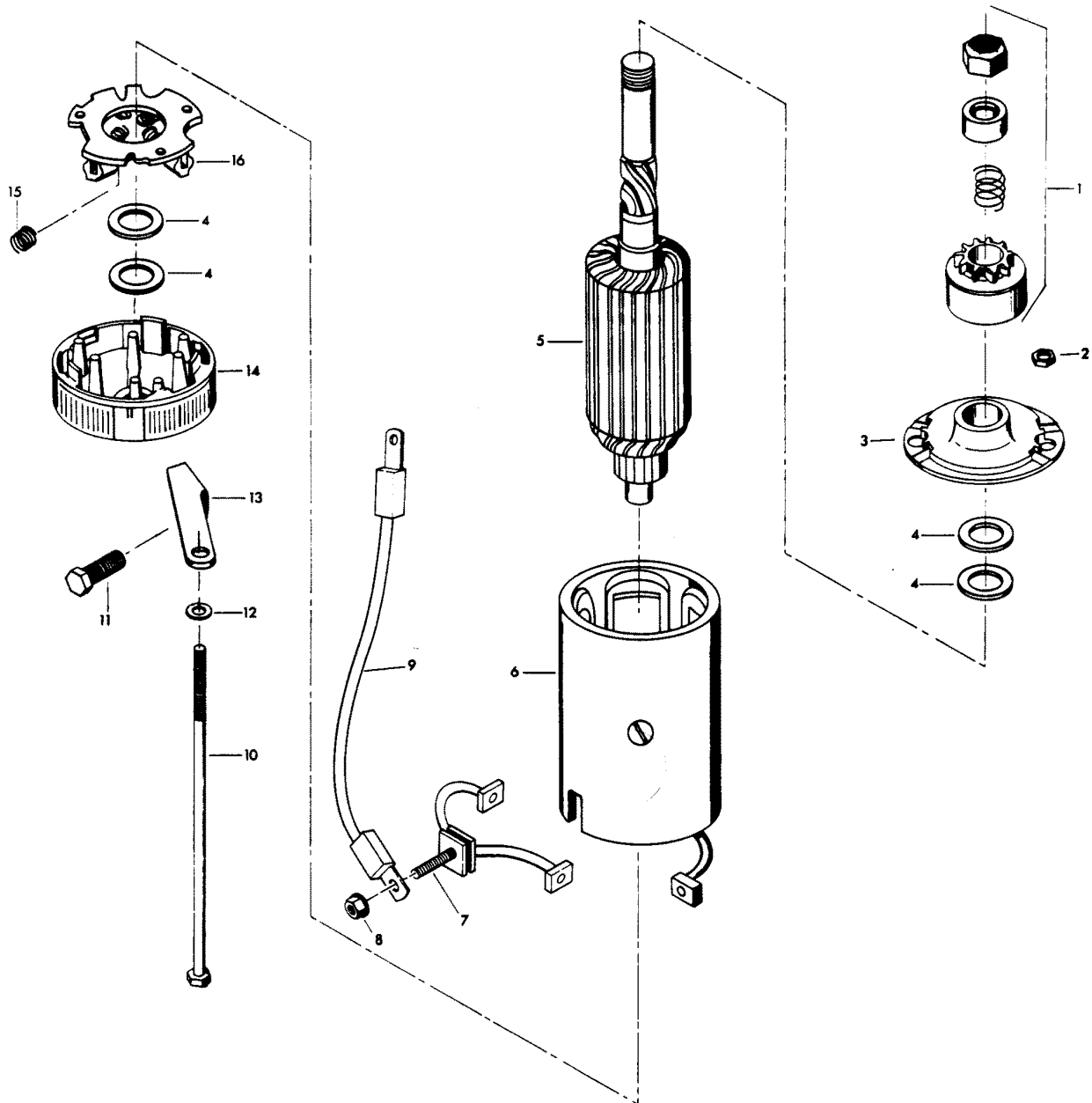
# ELECTRICAL COMPONENTS



# ELECTRICAL COMPONENTS

REF. NO.	PART NO.	SYM.	QTY.	DESCRIPTION
42	F1546		1	HEX HD CAP SCREW, 1/4 - 20 X 1/2
43	F8083		2	SPRING LOCKWASHER
44	F345475-1		1	COIL
45	300-817855A1		1	UNIT W/DECAL ( <b>ORIGINAL FORCE P/N A 523301-1</b> )(Does not include Coil & Clamp)
46	F523962		3	SHOCK MOUNT - C.D. UNIT
47	F2000		1	HEX CAP SCREW, 5/16 - 18 X 3/4
48	F322273		1	STUD, C.D. UNIT
49	F5H038		1	IGNITION SWITCH MOUNTING KIT (ACCESSORY ITEM)
-	<b>817892--1</b>		<b>1</b>	<b>PLATE, IGNITION SWITCH - CANADA (NOT SHOWN)</b>
50	F1934		4	FLAT HD SLOTTED SCREW, 6 X 12
51	F391983		2	RETAINING BAND
52	F1892		3	STOP NUT
53	FA368700		1	KEY, IGNITION - NO LETTER OR STAMPED A
-	<b>FB368700</b>		<b>1</b>	<b>KEY, IGNITION - STAMPED B</b>
-	<b>FC368700</b>		<b>1</b>	<b>KEY, IGNITION - STAMPED D</b>
-	<b>FD368700</b>		<b>1</b>	<b>KEY, IGNITION - STAMPED D</b>
-	<b>FE368700</b>		<b>1</b>	<b>KEY, IGNITION - STAMPED E</b>
54	F85664		1	GROUND WIRE
55	480373		1	DECAL, MAGNAPOWER IGNITION
56	F474387		1	TIMING DECAL - USA
-	<b>FC474387</b>		<b>1</b>	<b>TIMING DECAL - CANADA</b>
57	F319908		1	GROUND WIRE, CANADA

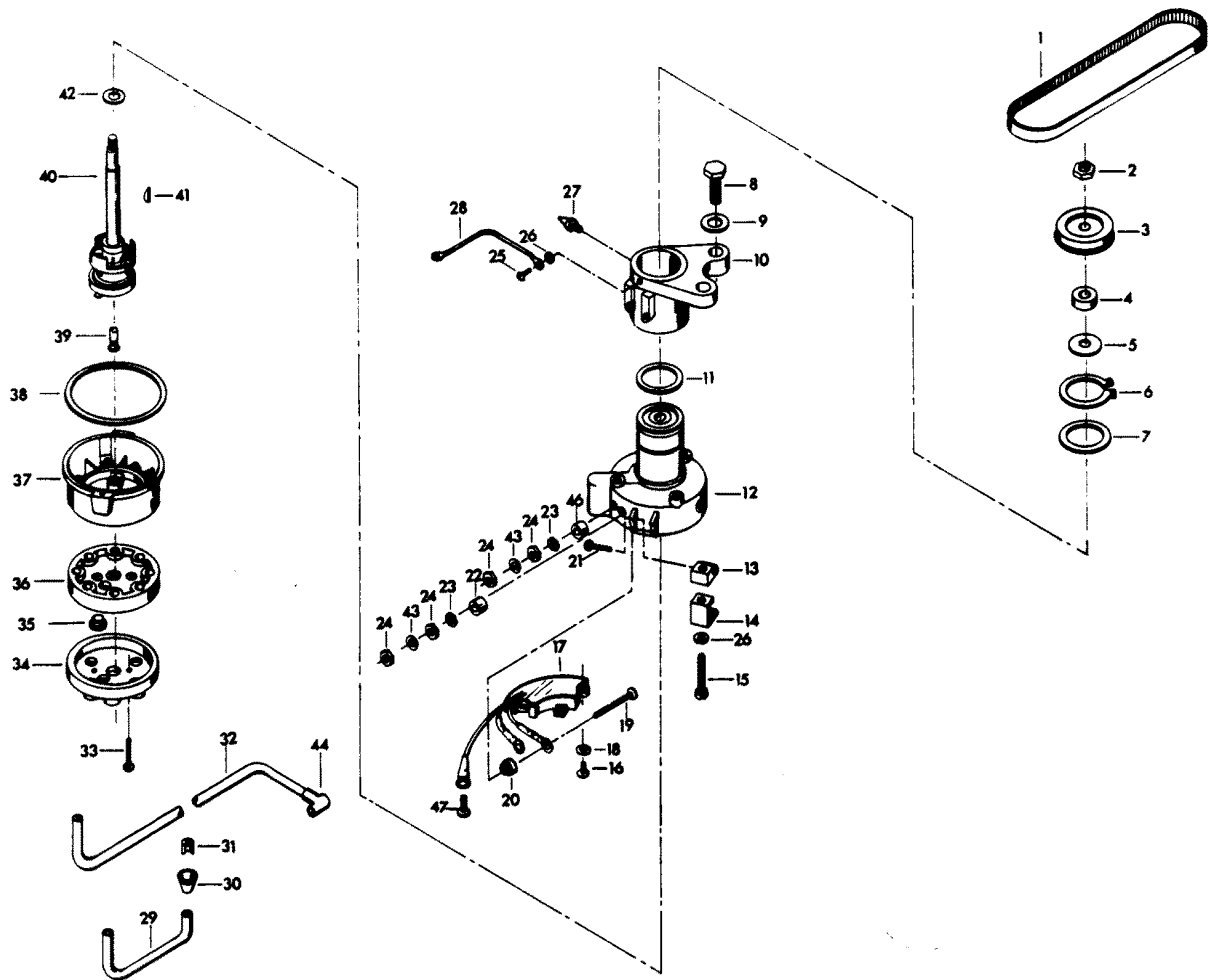
# STARTER



# STARTER

REF. NO.	PART NO.	SYM.	QTY.	DESCRIPTION
1	F15118		1	BENDIX DRIVE ASSEMBLY
2	F1641		2	LOCK NUT, 1/4 - 28
3	F15167		1	HEAD ASSEMBLY, DRIVE END
4	F15126		1	THRUST WASHER PACKAGE
5	F15099		1	ARMATURE
6	F15166		1	FRAME AND FIELD ASSEMBLY
7	F15054		1	BRUSH AND TERMINAL SET
8	FA15072		1	HEX LOCK NUT, 1/4 - 20
9	F85908		1	STARTER LEAD WIRE
10	F15168		1	THRU BOLT PACKAGE
11	F1540		1	HEX CAP SCREW, 1/4 - 20 X 5/8
12	F8028		2	PLAIN WASHER
13	F511675		1	STARTER BRACKET, LOWER
14	F15125		1	HEAD ASSEMBLY, COMMUTATOR END
15	F15034		1	SPRING SET
16	F15057		1	BRUSH PLATE AND HOLDER ASSEMBLY
-	<b>FS490955</b>		<b>1</b>	<b>STARTER COMPLETE</b>
-	<b>FC500390</b>		<b>1</b>	<b>DECAL, STARTER - CANADA (NOT SHOWN)</b>

# DISTRIBUTOR

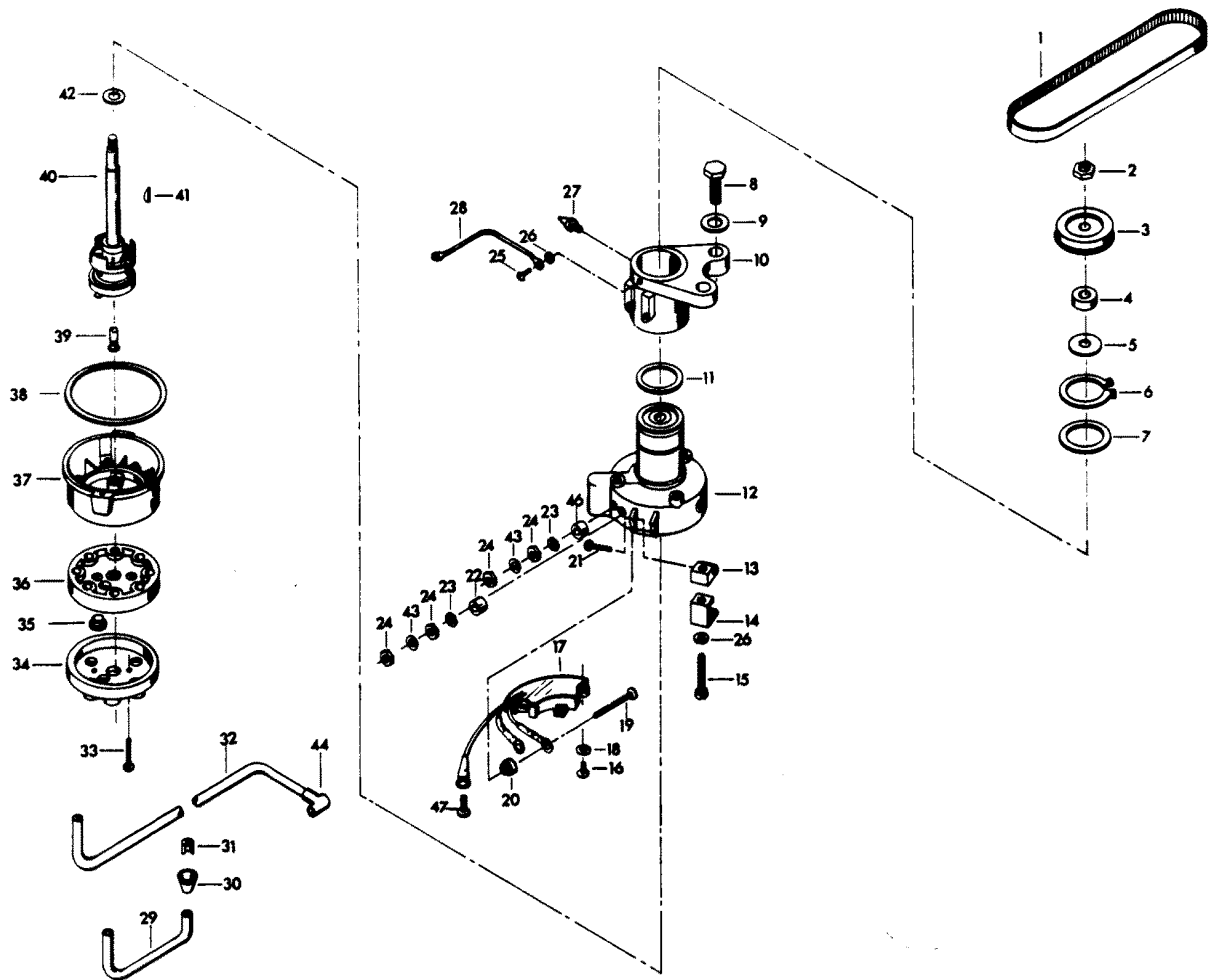


# DISTRIBUTOR

REF. NO.	PART NO.	SYM.	QTY.	DESCRIPTION
1	F85311		1	DISTRIBUTOR BELT
2	F7013		1	STOP NUT
3	817786A1		1	DISTRIBUTOR PULLEY
4	F14025		1	SPACER
5	F14028		1	THRUST WASHER
6	F85173		1	RETAINING RING
7	F14029		1	THRUST WASHER
8	F1612		2	HEX CAP SCREW, 3/8 - 16 X 1 1/4
9	F1778		2	PLAIN WASHER
10	FA321574		1	DISTRIBUTOR BRACKET
11	F1759		2	SHIM, DISTRIBUTOR (QTY. AS REQUIRED)
12	F14042		1	DISTRIBUTOR HOUSING W/BEARINGS
13	F14036		2	SWIVEL
14	F14037		2	CAP CLIPS
15	F14038		2	CAP CLIP SCREWS
16	F14045		2	SCREW
17	FA14048-2		1	PREAMPLIFIER
18	F8056		2	LOCKWASHER
19	F14046		2	TERMINAL SCREW
20	F14047		2	TERMINAL INSULATOR (INSIDE)
21	F14015		2	CAP CLIP RIVET
22	F14049		1	TERMINAL INSULATOR (OUTSIDE)
23	F14041		2	EXTERNAL TOOTH LOCKWASHER
24	F1647		4	HEX NUT, 8 - 32
25	F1760		2	PAN HD SCREW, 10 - 24 X 3/8
26	F1975		2	SPRING LOCKWASHER
27	F213274		1	GREASE FITTING
28	F85664		1	DISTRIBUTOR GROUND
29	84-817775A1		1	COIL WIRE W/TERMINAL CLIP - USA
-	<b>F438905</b>		<b>1</b>	<b>COIL WIRE - CANADA</b>
30	F203276		1	BOOT
31	F203673		1	TERMINAL CLIP
32	F321841-3		4	LEAD WIRE - USA
-	<b>F438841-1</b>		<b>4</b>	<b>LEAD WIRE - CANADA</b>
33	F14007		2	CAP SCREW
34	F14010-1		1	CAP COVER
35	F14040		2	VENT
36	F14021-1		1	CAP SEAL
37	F14005-2		1	CAP BASE
38	F14030		1	CAP GASKET
39	F14012-1		1	BRUSH
40	F14044		1	DISTRIBUTOR SHAFT
41	F1692		1	WOODRUFF KEY

CONTINUED ON NEXT PAGE ➡

# DISTRIBUTOR

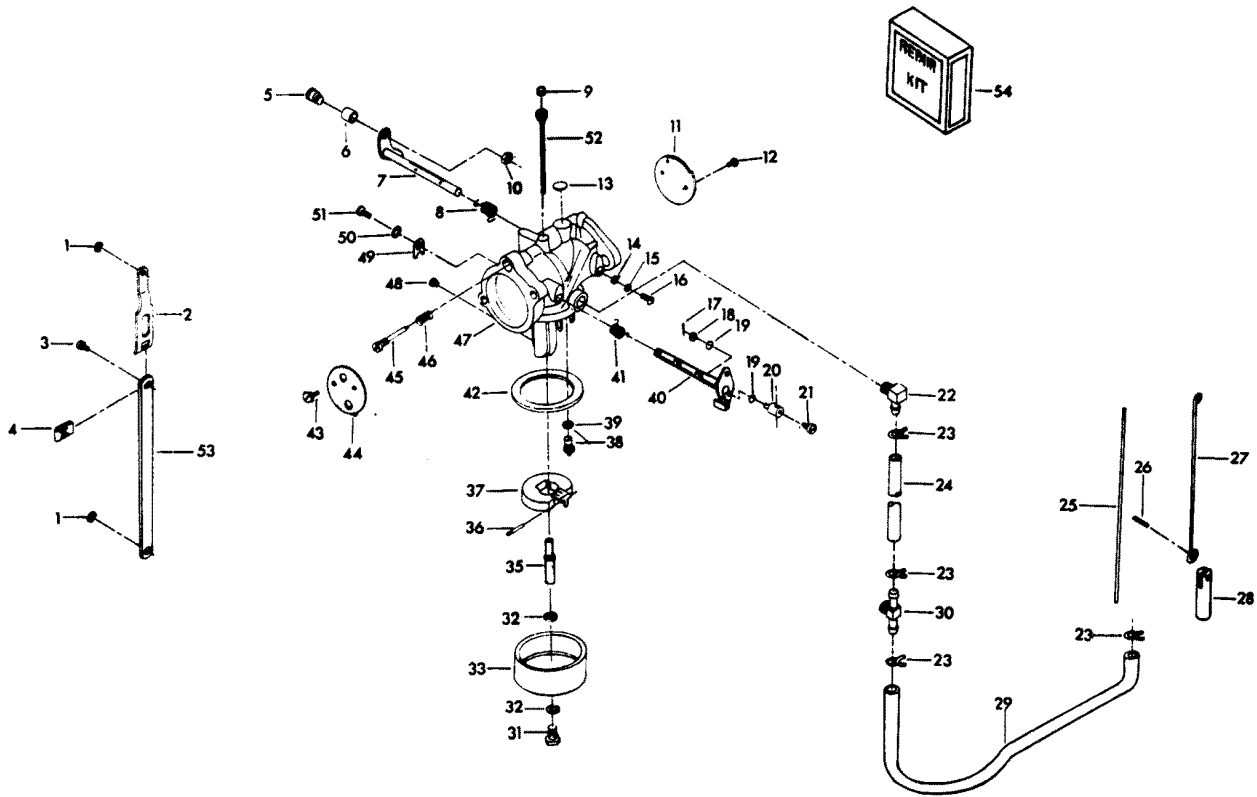




# DISTRIBUTOR

REF. NO.	PART NO.	SYM.	QTY.	DESCRIPTION
42	F14024		1	SPACER
43	F8056		2	LOCKWASHER
44	FK750-3		4	SPARKIE
46	F14017		1	TERMINAL INSULATOR (OUTSIDE)
47	F14056		1	SCREW
-	<b>817828A1</b>		<b>1</b>	<b>DISTRIBUTOR</b>
-	<b>481373</b>		<b>1</b>	<b>DECAL, "ELECTRONIC" (NOT SHOWN)</b>

# CARBURETOR

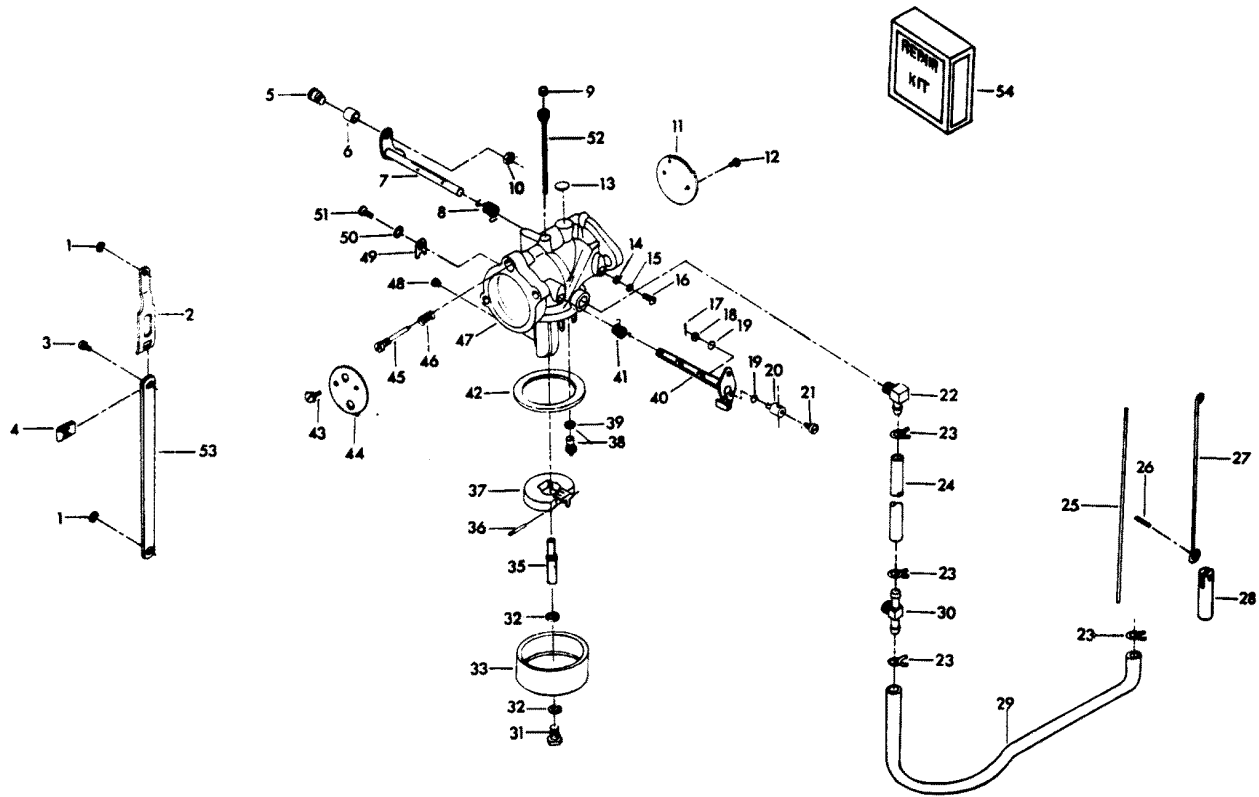


# CARBURETOR

REF. NO.	PART NO.	SYM.	QTY.	DESCRIPTION
1	F90807		2	RETAINING RING
2	FA85193		1	TIE BAR END W/SWIVEL
3	F1064		1	FILL HD SCREW, 8 - 32 X 3/8
4	F1693		1	TIE BAR RETAINER
5	F333316		1	THROTTLE ROLLER SHAFT
6	F92759		1	THROTTLE ROLLER
7	FO15231		1	THROTTLE SHAFT AND LEVER
8	FO16008		1	THROTTLE SHAFT RETURN SPRING
9	FO10588		1	BODY CHANNEL CUP PLUG
10	F1997		1	STOP NUT, 8 - 32
11	FO13942		1	THROTTLE SHUTTER
12	FO8942		2	THROTTLE SHUTTER RETAINING SCREW AND LOCKWASHER
13	FO4326		1	BODY CHANNEL WELCH PLUG
14	FO3804		1	RETAINING SCREW WASHER
15	FO6396		1	RETAINING SCREW LOCKWASHER
16	FO6393		1	RETAINING SCREW
17	F1014		2	COTTER PIN
18	F8088		3	PLAIN WASHER
19	F184579		5	"O" RING SEAL
20	F184033-1		1	SWIVEL, TOP CARBURETOR
21	F1059		2	FILL HD SCREW, 6 - 32 X 1/4
22	F84314-2		1	ELBOW
23	F97772		4	CLAMP
24	F178754-1		1	FUEL LINE
25	F85509-1		1	LINK, CHOKE
26	F2033		1	GROOVE PIN
27	F372925		1	CHOKE ROD
28	F391926-1		1	PLUNGER
29	F438754		1	FUEL LINE
30	F85314-1		1	FUEL FITTING
31	FO13945		1	FUEL BOWL RETAINING SCREW
32	FO2510		2	FUEL BOWL RETAINING SCREW GASKET
33	FO13552		1	FUEL BOWL
35	FO15217		1	MAIN NOZZLE
36	FO13944		1	FLOAT LEVER PIN
37	FO13554		1	FLOAT
38	FO10790		1	INLET NEEDLE, SEAT AND GASKET
39	FO10165		1	INLET SEAT GASKET
40	FO17241		1	CHOKE SHAFT AND LEVER
41	FO13947		1	CHOKE SHAFT RETURN SPRING
42	FO15623		1	FUEL BOWL GASKET
43	FO8942		2	CHOKE SHUTTER RETAINING SCREW AND LOCKWASHER
44	FO13555		1	CHOKE SHUTTER

CONTINUED ON NEXT PAGE ➡

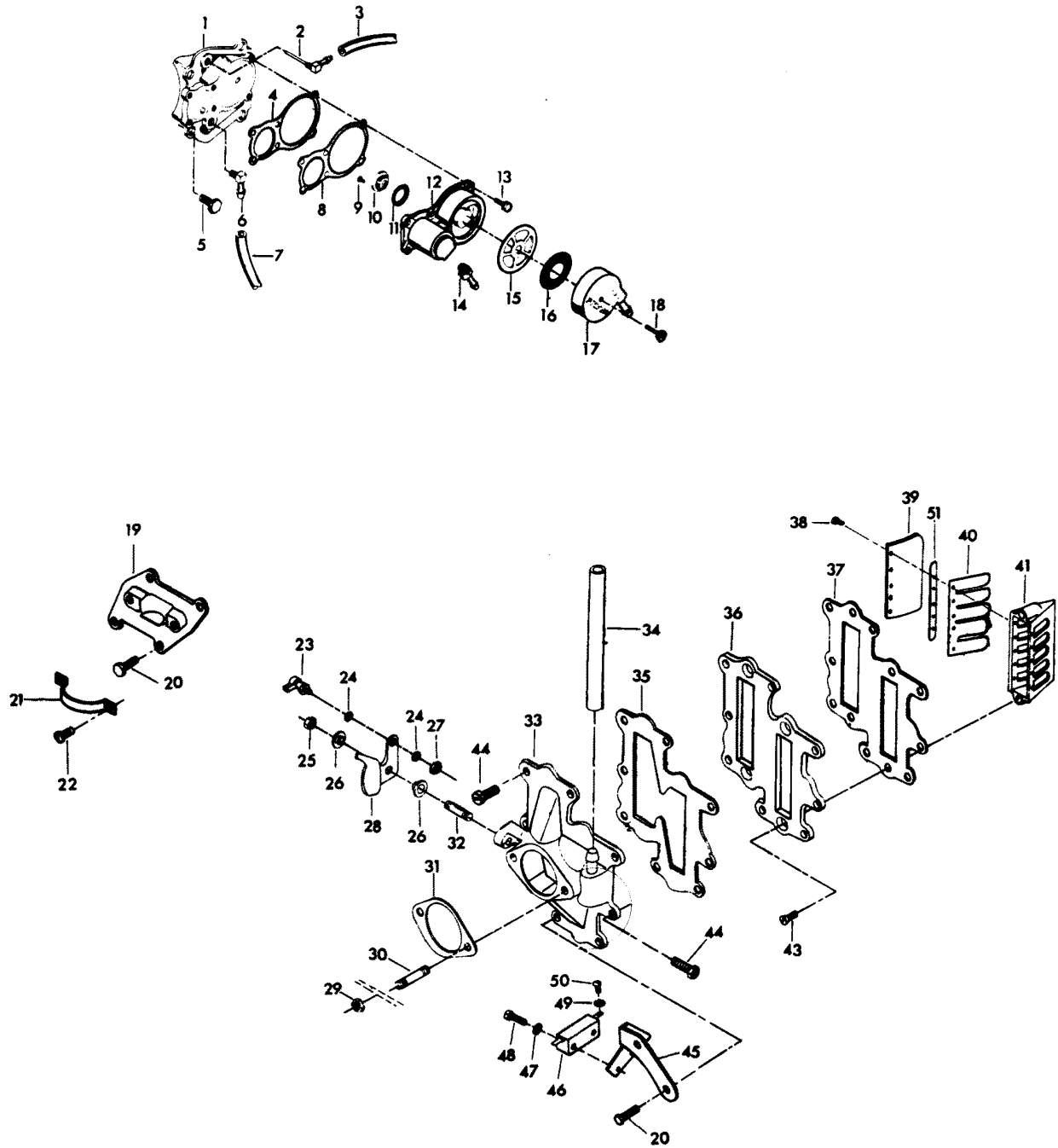
# CARBURETOR



# CARBURETOR

REF. NO.	PART NO.	SYM.	QTY.	DESCRIPTION
45	FO13946		1	IDLE MIXTURE SCREW
46	FO11103		1	IDLE MIXTURE SCREW SPRING
47	F500061-1		2	CARBURETOR COMPLETE (WB24B)
48	FO13194		1	MAIN FUEL JET. STD. .080 SEA LEVEL - 1500 FT.
-	<b>FO14306</b>		-	<b>MAIN FUEL JET. OPT. .0785 1500 FT. - 3000 FT.</b>
-	<b>FO13191</b>		-	<b>MAIN FUEL JET. OPT. .076 3000 FT. - 4500 FT.</b>
-	<b>FO14303</b>		-	<b>MAIN FUEL JET. OPT. .074 4500 FT. - 6000 FT.</b>
-	<b>FO15026</b>		-	<b>MAIN FUEL JET. OPT. .072 6000 FT. &amp; UP.</b>
49	FO9678		1	CLIP, CHOKE SHAFT
50	FO992		1	LOCKWASHER
51	FO1974		1	SCREW
52	FO17181		1	IDLE TUBE
53	FA178233		1	THROTTLE TIE BAR W/SWIVEL
-	<b>F85033</b>		<b>1</b>	<b>SWIVEL, CHOKE ROD (BOTTOM CARBURETOR) (NOT SHOWN)</b>
-	<b>F10000</b>		<b>1</b>	<b>GASKET SET (NOT SHOWN)</b>
54	F10005		1	REPAIR PARTS KIT. INCLUDES ALL ITEMS MARKED WITH AN ASTERISK (*).

# FUEL PUMP AND REED PLATE

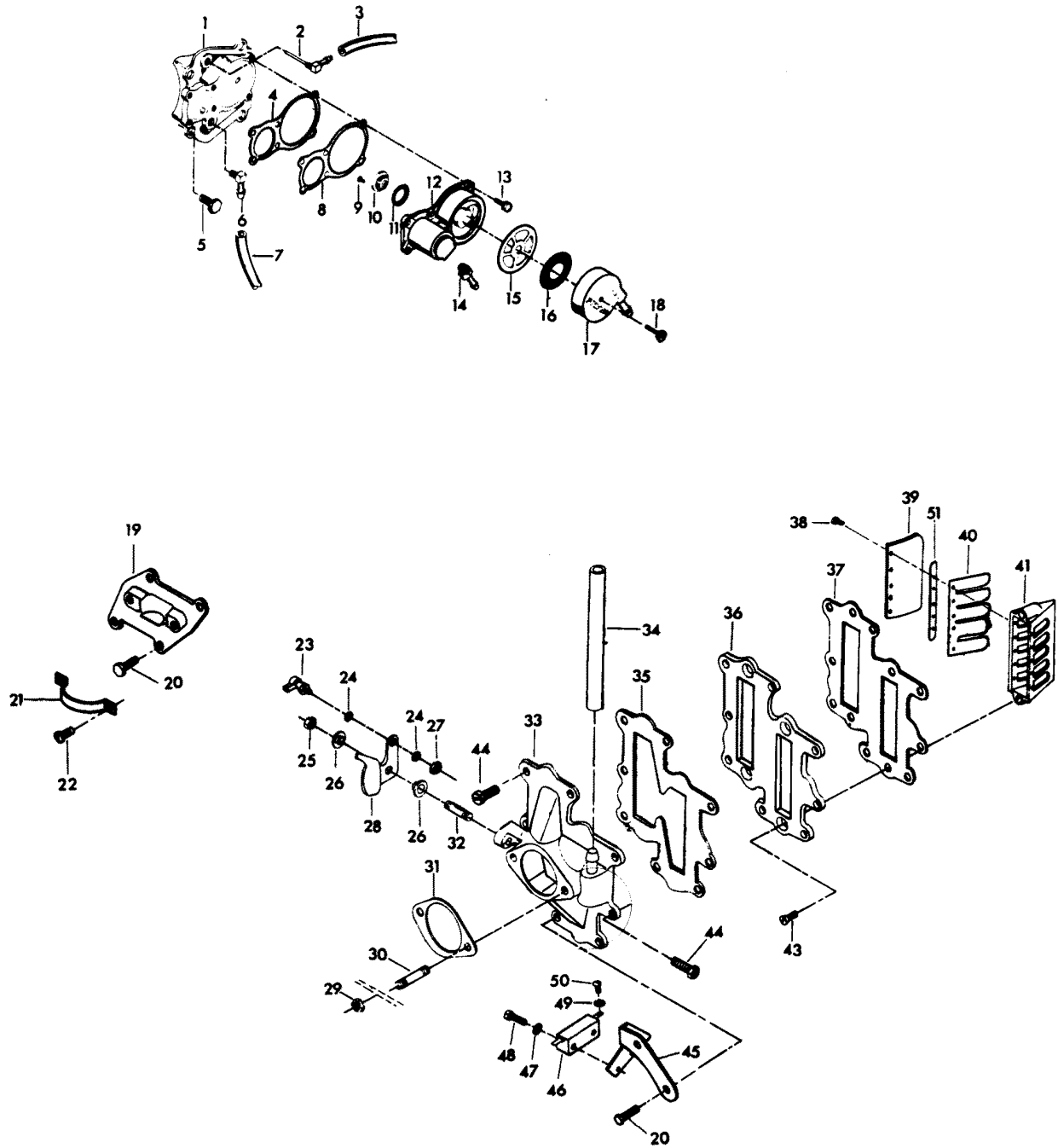


# FUEL PUMP AND REED PLATE

REF. NO.	PART NO.	SYM.	QTY.	DESCRIPTION
1	FA439746		1	FUEL PUMP COVER
2	F404314		1	ELBOW, FUEL PUMP COVER
3	F441754-1		1	HOSE
4	F438760		1	FUEL PUMP GASKET
5	F1540		4	HEX CAP SCREW, 1/4 - 20 X 5/8
6	F84314-2		1	ELBOW
7	F89758		1	FUEL PUMP AIR HOSE - TOP
8	F438747		1	FUEL PUMP DIAPHRAGM
9	F1860		2	RD HD SCREW, 6 - 32 X 1/4
10	F177330		3	FUEL PUMP VALVE
11	F84792		1	GASKET, CENTER FUEL PUMP VALVE
12	FA438431		1	FUEL PUMP BODY W/VALVES
13	F1108		6	FILL HD SCREW, 1/4 - 20 X 3/4
14	F438801		1	FITTING
15	F438617		1	FUEL SEDIMENT BOWL GASKET
16	F438653		1	FUEL SEDIMENT BOWL SCREEN
17	F438500		1	FUEL SEDIMENT BOWL
18	F438165		1	SCREW, FUEL PUMP BOWL
19	F372958		1	CHOKE BRACKET
20	F1532		6	HEX HD SCREW, 1/4 - 20 X 1
21	F85317-1		1	SOLENOID CLAMP
22	F1545		2	SCREW, 1/4 - 20 X 1/2
23	817747--1		1	BALL JOINT W/STUD
24	F8058		2	INTERNAL TOOTH LOCKWASHER
25	F1910		1	STOP NUT, 1/4 - 20
26	F269319		2	THROTTLE CAM BEARING
27	F1513		1	HEX NUT, 10 - 32
28	F85192-1		1	THROTTLE CAM
29	F1515		4	HEX NUT, 5/16 - 18
30	F40209		4	CARBURETOR STUD
31	F85906		2	CARBURETOR GASKET
32	F433209-1		1	THROTTLE CAM STUD
33	FA178167		1	CARBURETOR ADAPTER, LOWER W/FITTING AND STUDS
-	<b>FA178157</b>		<b>1</b>	<b>CARBURETOR ADAPTER, UPPER W/FITTING AND STUDS (NOT SHOWN)</b>
34	F178254-1		1	BALANCE TUBE
35	F178168-1		2	GASKET, CARBURETOR ADAPTER
36	F178404-1		2	DEFLECTOR PLATE
37	F406406		2	GASKET DEFLECTOR PLATE
38	F1755		40	ROUND HD SCREW W/LOCKWASHER, 6 - 32 X 1/4
39	F85161-1		8	REED STOP
40	F530160		8	REED (5 PETAL)
41	F3A523158		4	REED PLATE W/REEDS, REED STOPS AND SCREWS

CONTINUED ON NEXT PAGE ➡

# FUEL PUMP AND REED PLATE

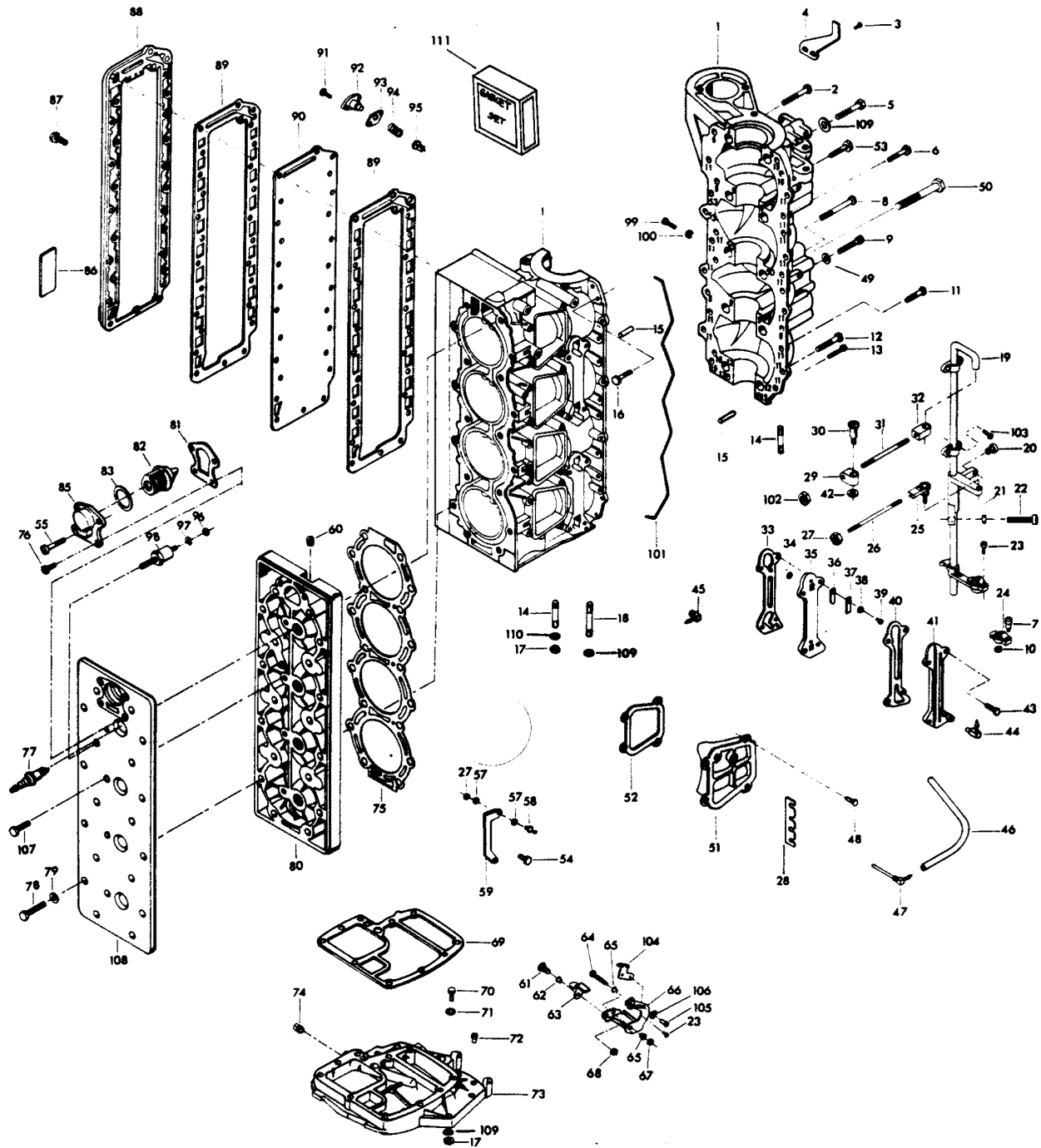




## FUEL PUMP AND REED PLATE

REF. NO.	PART NO.	SYM.	QTY.	DESCRIPTION
43	F1831		8	FLAT HD SCREW, 1/4 - 20 X 5/8
44	F1533		10	HEX HD SCREW, 1/4 - 20 X 7/8
45	F489551		1	BRACKET NEUTRAL INTERLOCK SWITCH
46	F84449		1	INTERLOCK SWITCH
47	F8088		2	PLAIN WASHER
48	F2016		2	FILL HD SCREW, 6 - 32 X 7/8
49	F1704		2	INTERNAL TOOTH LOCKWASHER
50	F1645		2	RD HD SCREW, 6 - 32 X 1/4
51	F523451		8	SPACER, REED STOP

# POWER HEAD

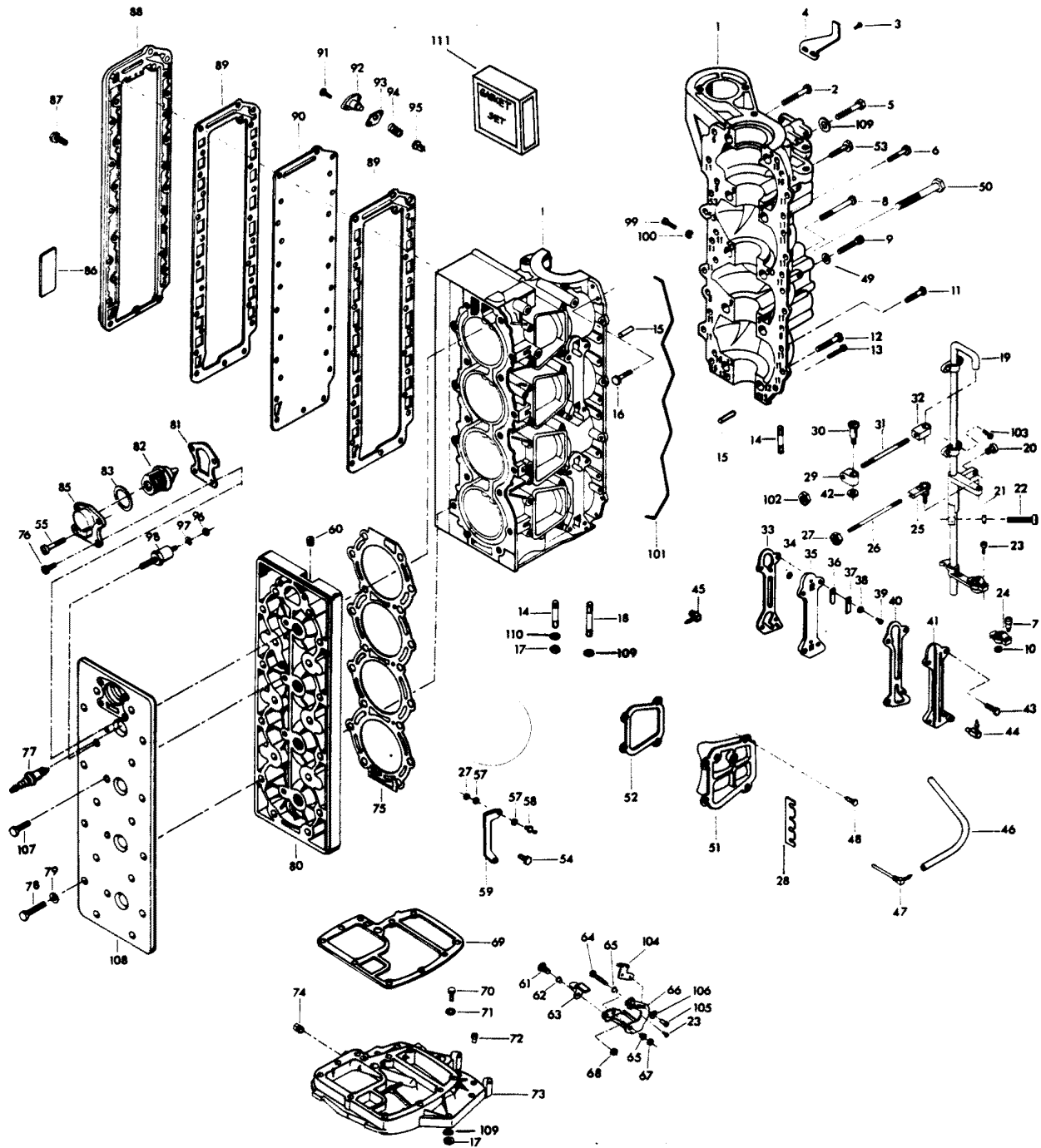


# POWER HEAD

REF. NO.	PART NO.	SYM.	QTY.	DESCRIPTION
1	FA552010		1	CYLINDER W/CRANKCASE COVR, PARTNG LINE SEAL, SCRWS & DOWL PNS
-	<b>FC552010</b>		<b>1</b>	<b>SHORT BLOCK CONTAINS ALL ITEMS MARKED WITH AN ASTERISK (*). ALSO REFER TO CRANKSHAFT PAGE.</b>
2	F1874		1	HEX HD SCREW, 3/8 - 16 X 3 1/8
3	F1760		2	PAN HD SCREW, 10 - 24 X 3/8
4	FA480894		1	TIMING POINTER W/DECAL
5	F1009		1	HEX HD SCREW, 3/8 - 16 X 2 3/4
6	F1533		3	HEX HD SCREW, 1/4 - 20 X 7/8
7	F405457		1	PIVOT SCREW
8	F1699		1	HEX HD SCREW, 1/4 - 20 X 1 1/8
9	F1253		4	HEX SOCKET HD CAP SCREW, 3/8 - 16 X 2
10	F7008		1	ELASTIC STOP NUT
11	F1535		16	HEX HD SCREW, 1/4 - 20 X 3/4
12	F1872		2	HEX CAP SCREW, 3/8 - 16 X 1 3/4
13	F1099		2	FILL HD SCREW, 1/4 - 20 X 1 1/4
14	F85859		4	STUD
15	F8563		2	DOWEL PIN
16	F1532		2	HEX HD SCREW, 1/4 - 20 X 1
17	F7004		10	STOP NUT, 3/8 - 16
18	F85211		6	STUD
19	817932A6		1	TOWERSHAFT W/SWIVEL, BEARINGS AND SCREWS
20	F1727		1	PLASTIC RIVET
21	F1341		1	HEX NUT, 1/4 - 20
22	F1052		1	FILL HD SCREW, 1/4 - 20 X 1
23	F1556		2	FILL HD SCREW W/LOCKWASHER, 10 - 24 X 3/8
24	FK405020		2	SWIVEL W/CLAMP, SHOULDER SCREW AND NUT
25	817747--1		1	BALL JOINT W/STUD
26	F85502		1	THROTTLE LINK
27	F1513		4	HEX NUT, 10 - 32
28	F523834		1	CLIP, SPARK PLUG WIRE
29	F85035		1	DISTRIBUTOR, CONTROL ROD END
30	F85026		1	SWIVEL
31	F85445		1	CONTROL ROD
32	F85036		1	TOWERSHAFT CONTROL ROD END
33	F84748-3		2	GASKET
34	F93811		4	SCREEN
35	F2A476757		2	CYLINDER DRAIN REED PLATE W/REEDS, STOPS AND SCREWS
36	F18160-2		4	CYLINDER DRAIN REED
37	F93920		4	REED STOP
38	F8003		4	PLAIN WASHER
39	F1285		4	PAN HD SCREW, 4 - 40 X 3/16
40	F84472-5		2	GASKET, CYLINDER DRAIN COVER

CONTINUED ON NEXT PAGE ➡

# POWER HEAD

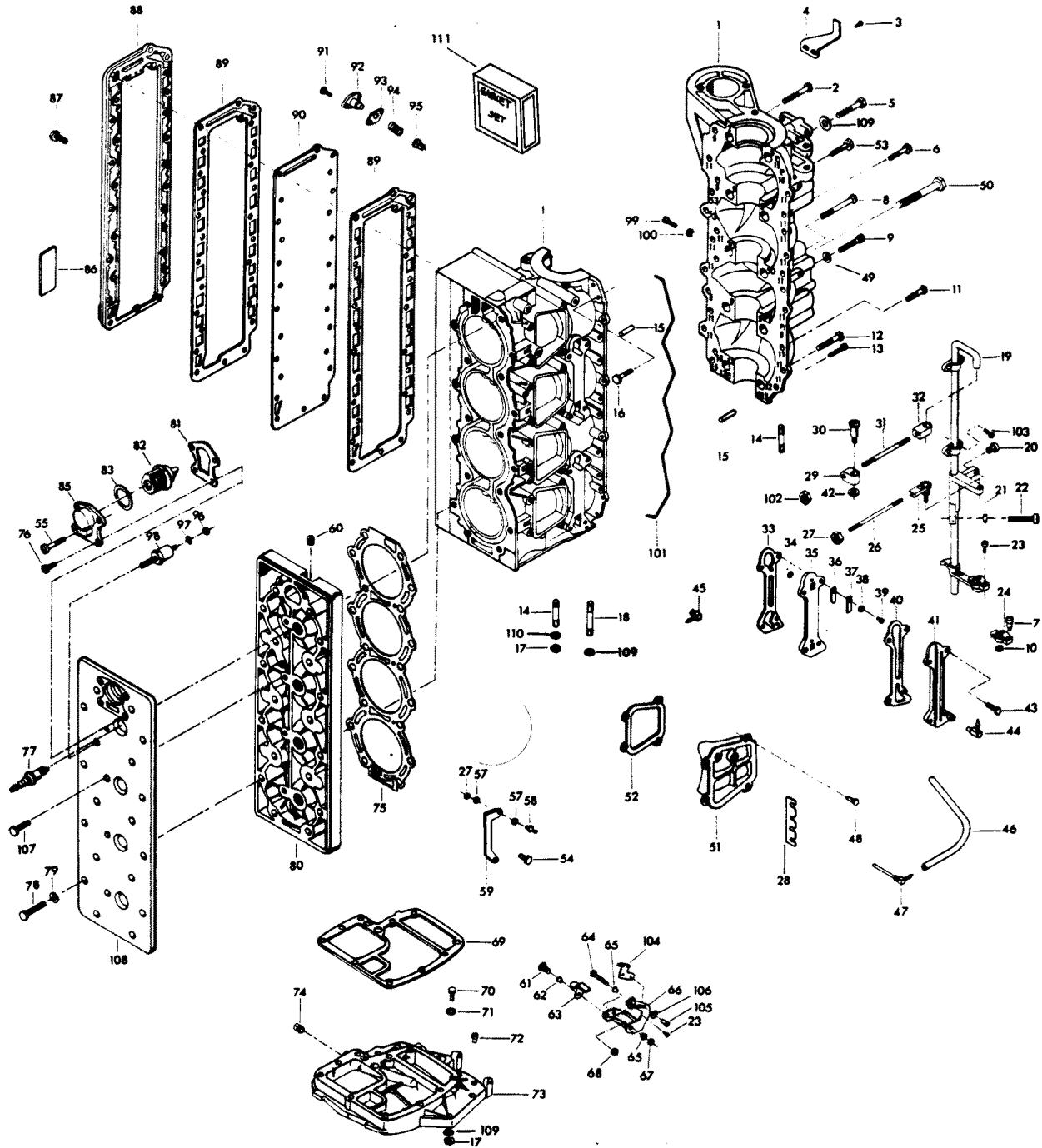


# POWER HEAD

REF. NO.	PART NO.	SYM.	QTY.	DESCRIPTION
41	F406471-1		2	CYLINDER DRAIN COVER
42	F1935		1	PLAIN WASHER
43	F1532		8	HEX HD SCREW, 1/4 - 20 X 1
44	22-818103--1		1	ELBOW, CYLINDER DRAIN LOWER
-	<b>F404801</b>		<b>1</b>	<b>ELBOW, CYLINDER DRAIN UPPER (NOT SHOWN)</b>
45	F84314-2		1	ELBOW
46	F406754-1		1	HOSE
47	F404314		1	FITTING
48	F1540		10	HEX CAP SCREW, 1/4 - 20 X 5/8
49	F8104		4	PLAIN WASHER
50	F1873		2	HEX CAP SCREW, 3/8 - 16 X 3
51	FA411222		3	TRANSFER PORT COVER
52	F40223		4	GASKET, TRANSFER PORT COVER
53	F1534		2	HEX HD SCREW, 1/4 - 20 X 7/8
54	F1535		2	HEX CAP SCREW, 1/4 - 20 X 3/4
55	F1099		2	FILL HD SCREW, 1/4 - 20 X 1 1/4
57	F8058		4	INTERNAL TOOTH LOCKWASHER
58	F98273		2	ROD END CONNECTOR STUD
59	85872---1		1	BRACKET
60	F19109		1	PLUG
61	F369887		1	SHOULDER SCREW
62	F369610		1	BEARING
63	F369977-1		1	INTERLOCK ARM
64	F1885		1	HEX BOLTS, S.S., 5/16 - 18 X 4 1/4
65	F85610		2	BEARING
66	FA480876		1	GEAR SHIFT ARM W/SWIVL, BEARNGS, INTRLOCK ARM & SHOULDR SCRW
67	F2108		1	STOP NUT, 5/16 - 18
68	F1832		1	STOP NUT, 1/4 - 20
69	F85279-2		1	GASKET, CYLINDER EXHAUST UPPER
70	F1869		6	HEX CAP SCREW, 3/8 - 16 X 1 1/4
71	F1703		6	LOCKWASHER
72	F40689-1		1	BEARING
73	817788A3		1	SPACER PLATE W/PLUG
74	F2090		1	PLUG
75	F476529		1	CYLINDER HEAD GASKET
76	F1107		2	SLOTTED FILL HD CAP SCREW, 1/4 - 20 X 3/4
77	33-97180		4	SPARK PLUG (CHAMPION L20V) - USA
-	<b>C523227</b>		<b>4</b>	<b>SPARK PLUG (CHAMPION QL-76V) - CANADA</b>
78	F1049		18	HEX CAP SCREW, 5/16 - 18 X 2 5/8
79	F1987		18	PLAIN WASHER
80	900-817832A2		1	CYLINDER HEAD
81	F476067		1	GASKET

CONTINUED ON NEXT PAGE ➡

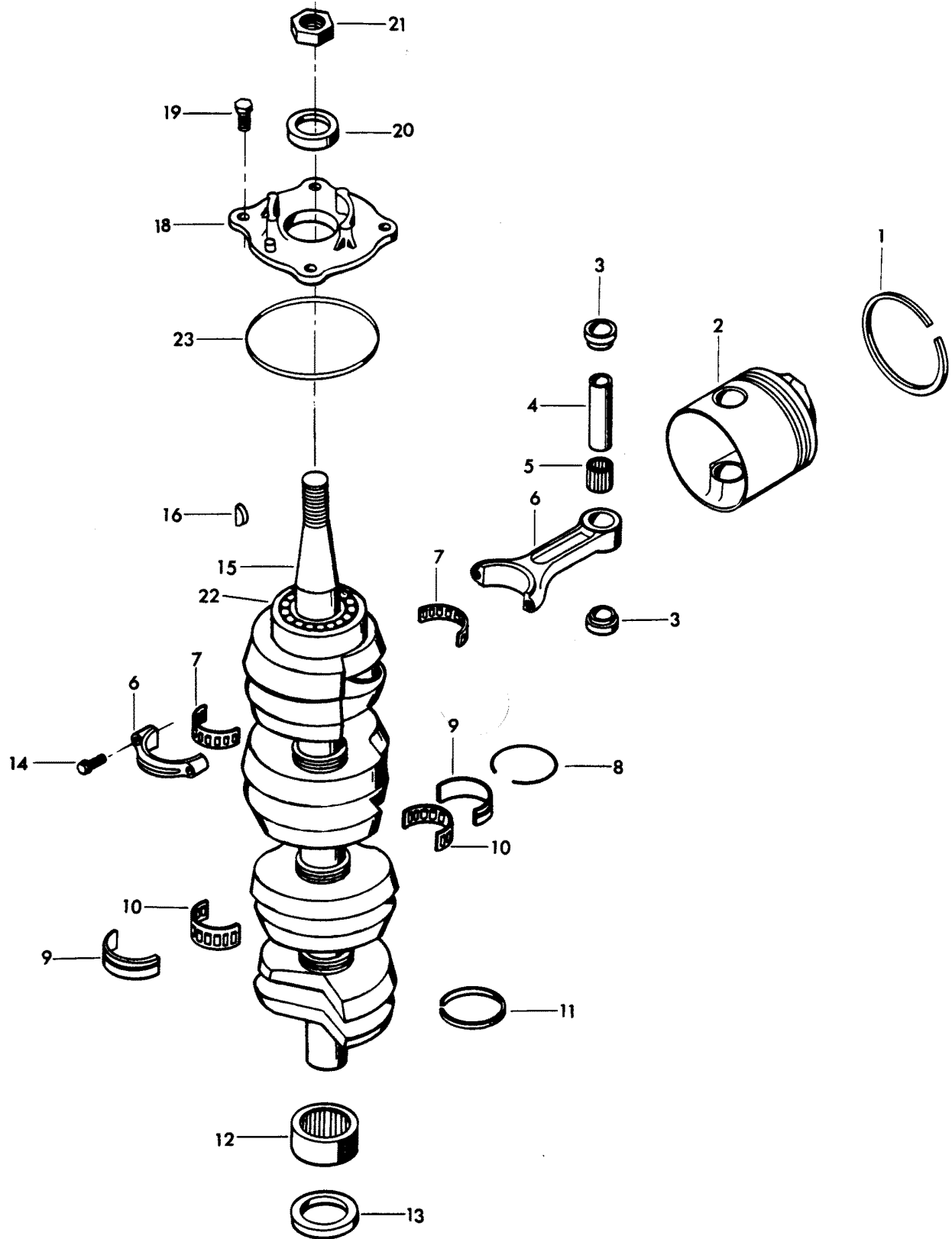
# POWER HEAD



# POWER HEAD

REF. NO.	PART NO.	SYM.	QTY.	DESCRIPTION
82	F528068		1	THERMOSTAT
83	F84504		1	GROMMET (THERMOSTAT)
85	F476066-1		1	THERMOSTAT COVER
86	F438398		1	DECAL, WIRING - USA
-	<b>FC438398</b>		<b>1</b>	<b>DECAL WIRING - CANADA</b>
87	F1916		27	HEX BOLT, 1/4 - 20 X 1 1/8
88	F372152-1		1	EXHAUST PORT COVER
89	F372154-1		2	GASKET, EXHAUST PORT PLATE
90	F372151-1		1	EXHAUST PORT PLATE
91	F1950		2	HEX CAP SCREW, 10 - 24 X 5/8
92	F438066		1	BY-PASS VALVE COVER
93	F85762		1	BY-PASS VALVE COVER GASKET
94	F404268		1	BY-PASS VALVE SPRING
95	F85916-1		1	BY-PASS VALVE
96	F1747		1	HEX NUT, 8 - 32
97	F8056		1	LOCKWASHER
98	87-817778A1		1	THERMOSWITCH
99	F2000		1	HEX CAP SCREW, 5/16 - 18 X 3/4
100	F8096		1	SPRING LOCKWASHER
101	F184122-1		1	SEAL, PARTING LINE
102	F2015		1	HEX NUT, 1/4 - 28
103	F1475		4	FILL HD SCREW, 10 - 24 X 1/2
104	F480107-1		1	CAM STARTER INTERLOCK
105	F2089		2	SLOTTED PAN HD M. SCREW, 10 - 24 X 5/16
106	F2042		2	PLAIN WASHER
107	F1533		4	HEX CAP SCREW, 1/4 - 20 X 7/8
108	F528995		1	COVER, CYLINDER HEAD
109	F8095		6	PLAIN WASHER
110	F8038		4	PLAIN WASHER
111	FG1019		1	GASKET SET (INCLUDES THE FOLLOWING)
-	<b>F40223</b>		<b>4</b>	<b>TRANSFER PORT COVER GASKET</b>
-	<b>F84472-5</b>		<b>2</b>	<b>CYLINDER DRAIN COVER GASKET</b>
-	<b>F84748-3</b>		<b>2</b>	<b>CYLINDER DRAIN REED PLATE GASKET</b>
-	<b>F85279-2</b>		<b>1</b>	<b>CYLINDER EXHAUST UPPER GASKET</b>
-	<b>F85762</b>		<b>1</b>	<b>BY-PASS COVER GASKET</b>
-	<b>F85906</b>		<b>2</b>	<b>CARBURETOR GASKET</b>
-	<b>F178168-1</b>		<b>2</b>	<b>CARBURETOR ADAPTER GASKET</b>
-	<b>F184122-1</b>		<b>1</b>	<b>SEAL</b>
-	<b>F372154-1</b>		<b>2</b>	<b>EXHAUST PLATE GASKET</b>
-	<b>F406406</b>		<b>2</b>	<b>DEFLECTOR PLATE GASKET</b>
-	<b>F476067</b>		<b>1</b>	<b>THERMOSTAT COVER GASKET</b>
-	<b>F476529-1</b>		<b>1</b>	<b>CYLINDER HEAD GASKET</b>

# CRANKSHAFT AND PISTON GROUP

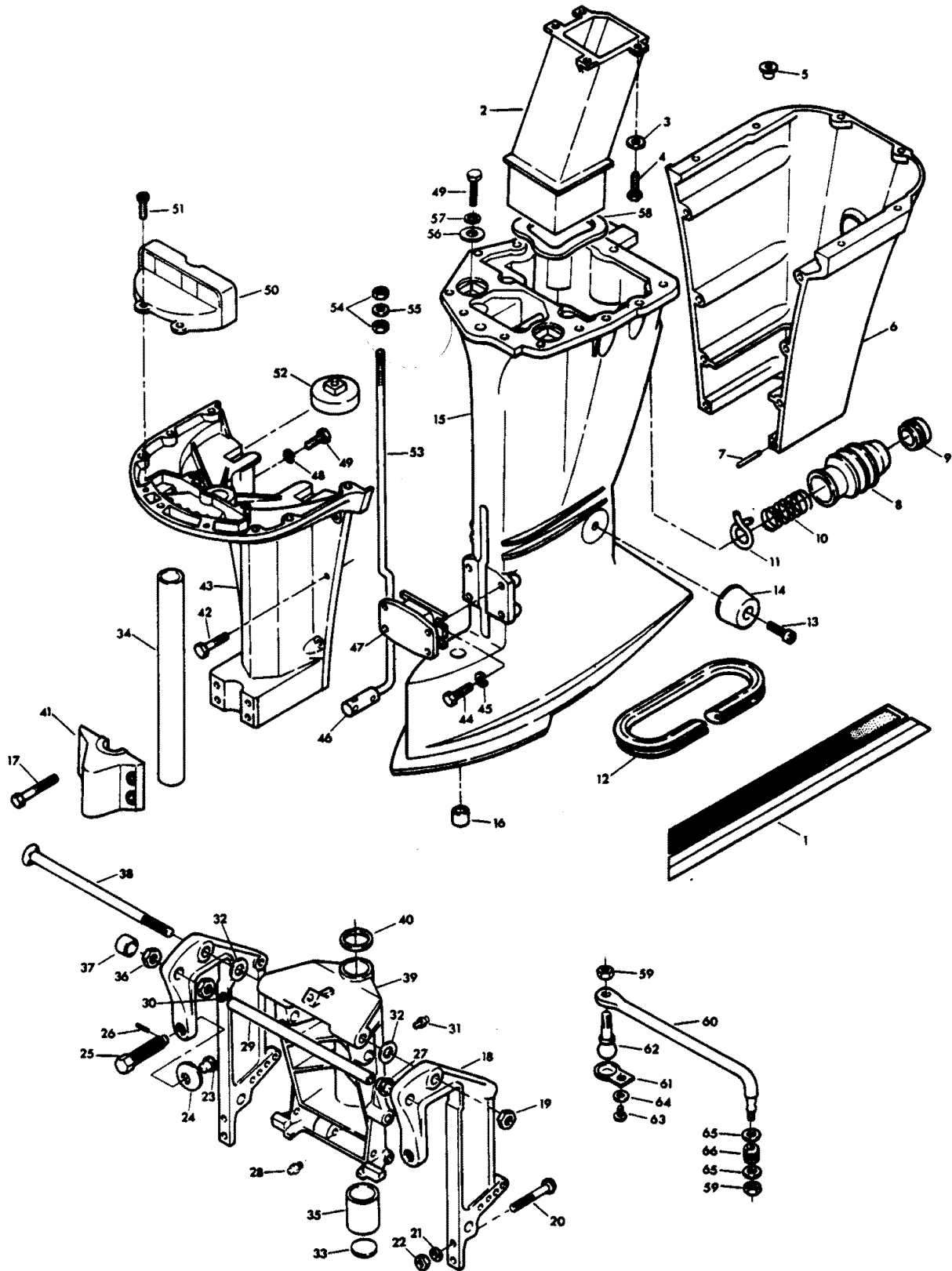




# CRANKSHAFT AND PISTON GROUP

REF. NO.	PART NO.	SYM.	QTY.	DESCRIPTION
1	FA335260		2	PISTON RING SET (3 PER SET)
-	<b>FSA335260</b>		<b>2</b>	<b>PISTON RING (3 PER SET) .010 OVERSIZE (NOT SHOWN)</b>
-	<b>39-818110A1</b>		<b>2</b>	<b>PISTON RING (3 PER SET) .030 OVERSIZE (NOT SHOWN)</b>
2	700-F372015-3		4	PISTON
-	<b>700-817988A2</b>		<b>4</b>	<b>PISTON .010 OVERSIZE (NOT SHOWN)</b>
-	<b>700-818111A2</b>		<b>4</b>	<b>PISTON .030 OVERSIZE (NOT SHOWN)</b>
3	F335215		8	SPACER, PISTON PIN (2 PER PISTON)
4	F85017		4	PISTON PIN
5	F335217-1		4	BEARING, PISTON PIN (26 PER SET)
6	600-818052A4		4	CONNECTING ROD W/CAP AND SCREWS
7	FK85228-1		4	BEARING CAGE W/ROLLER
8	F85410		3	SNAP RING
9	FA85655-1		3	CRANKSHAFT MAIN BEARING RACE W/SNAP RING
10	F85571		3	BEARING CAGE W/ROLLER
11	F316579		3	SEAL, CRANKCASE
12	FA523014		1	CRANKSHAFT LOWER MAIN BEARING <b>W/ITEM 13</b>
13	F523146		1	SEAL, CRANKSHAFT LOWER
14	F85634-2		8	CONNECTING ROD SCREW
15	400-817735A4		1	CRANKSHAFT W/BEARING
16	F85498		1	FLYWHEEL KEY
18	31-817785A2		1	CRANKSHAFT BEARING CAGE W/SEAL
19	F1867		4	HEX CAP SCREW, 3/8 - 16 X 1
20	F84146-2		1	SEAL
21	F1968		1	FLYWHEEL NUT
22	F284659-2		1	BEARING, CRANKSHAFT UPPER MAIN
23	F84278		1	SEAL
-	<b>F2067</b>		<b>1</b>	<b>PLASTISOL CAP (NOT SHOWN)</b>

# MOTOR LEG

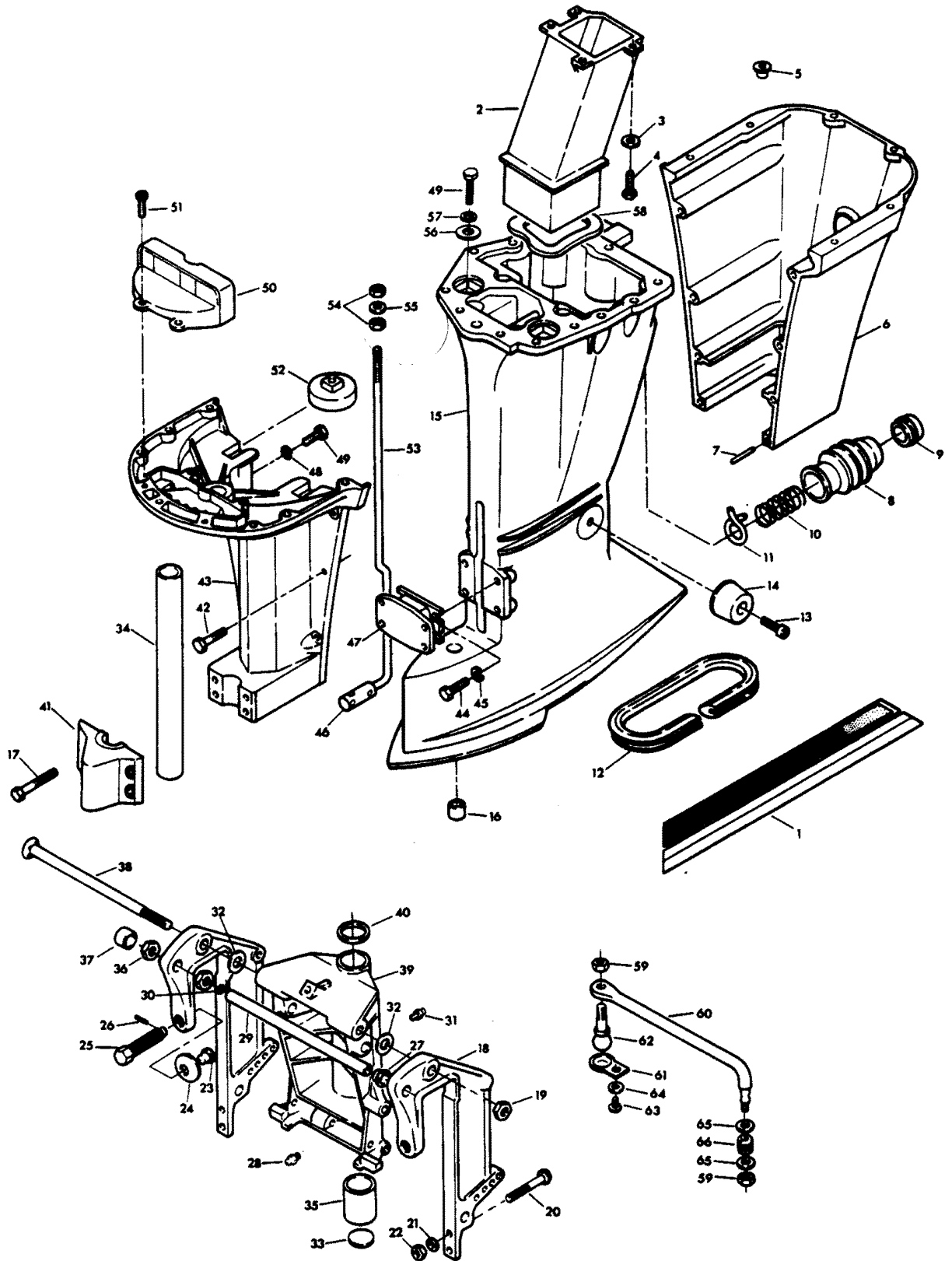


# MOTOR LEG

REF. NO.	PART NO.	SYM.	QTY.	DESCRIPTION
1	A588392		1	DECAL LEG, PORT
-	<b>A588391</b>		<b>1</b>	<b>DECAL LEG, STBD.</b>
2	F85660-1		1	EXHAUST TUBE
3	F8083		4	SPRING LOCKWASHER
4	F1536		4	HEX SLOT HD SCREW, 1/4 - 20 X 3/4
5	F1729		2	PLUG
6	817931A7		1	MOTOR LEG COVER, REAR
7	F1664		2	SPRING PIN
8	F85130		1	BOOT IDLE EXHAUST
9	F85258		1	INSERT
10	F85380		1	SPRING
11	F85772		1	CLAMP
12	F178323		1	SEAL, MOTOR LEG
13	F1263		2	HEX SOCKET HD CAP SCREWS, 5/16 - 18 X 9/16
14	F438962		2	SHOCK MOUNT LOWER REAR
15	F523133-2		1	MOTOR LEG
16	F338618-1		1	SEAL, GEAR SHIFT ROD
17	F1696		4	HEX BOLT, 5/16 - 18 X 1 3/4
18	1400-817958A6		2	STERN BRACKET
19	F7012		1	STOP NUT
20	F1593		2	HEX HD SCREW, 3/8 - 16 X 3
21	F1904		2	PLAIN WASHER
22	F1346		2	HEX NUT
23	F353480		2	STUD
24	F84074		2	CLAMP SCREW FOOT
25	F474073-1		2	CLAMP SCREW
26	F8538		2	SPRING PIN
27	F9052		1	PLUG
28	F523274		1	GREASE FITTING
29	F511125-2		1	TUBE, STEERING SUPPORT
30	F316599		1	SEAL, STEERING TUBE
31	F213274		3	GREASE FITTING
32	F84286-1		4	FRICTION WASHER
33	F1528		1	WELCH PLUG
34	FA85019		1	KINGPIN W/PLUG
35	F438169		2	BEARING
36	F523280		2	NUT, STEERING SUPPORT TUBE
37	F9018		1	CAP
38	F85037-1		1	STERN BRACKET PIVOT BOLT
39	817783A5		1	SWIVEL BRACKET W/BEARINGS & GREASE FITTINGS
40	F84011		1	WASHER
41	F85606		1	KINGPIN CAP
42	F2030		6	HEX HD M. SCREW, 1/4 - 20 X 1 1/4

CONTINUED ON NEXT PAGE ➡

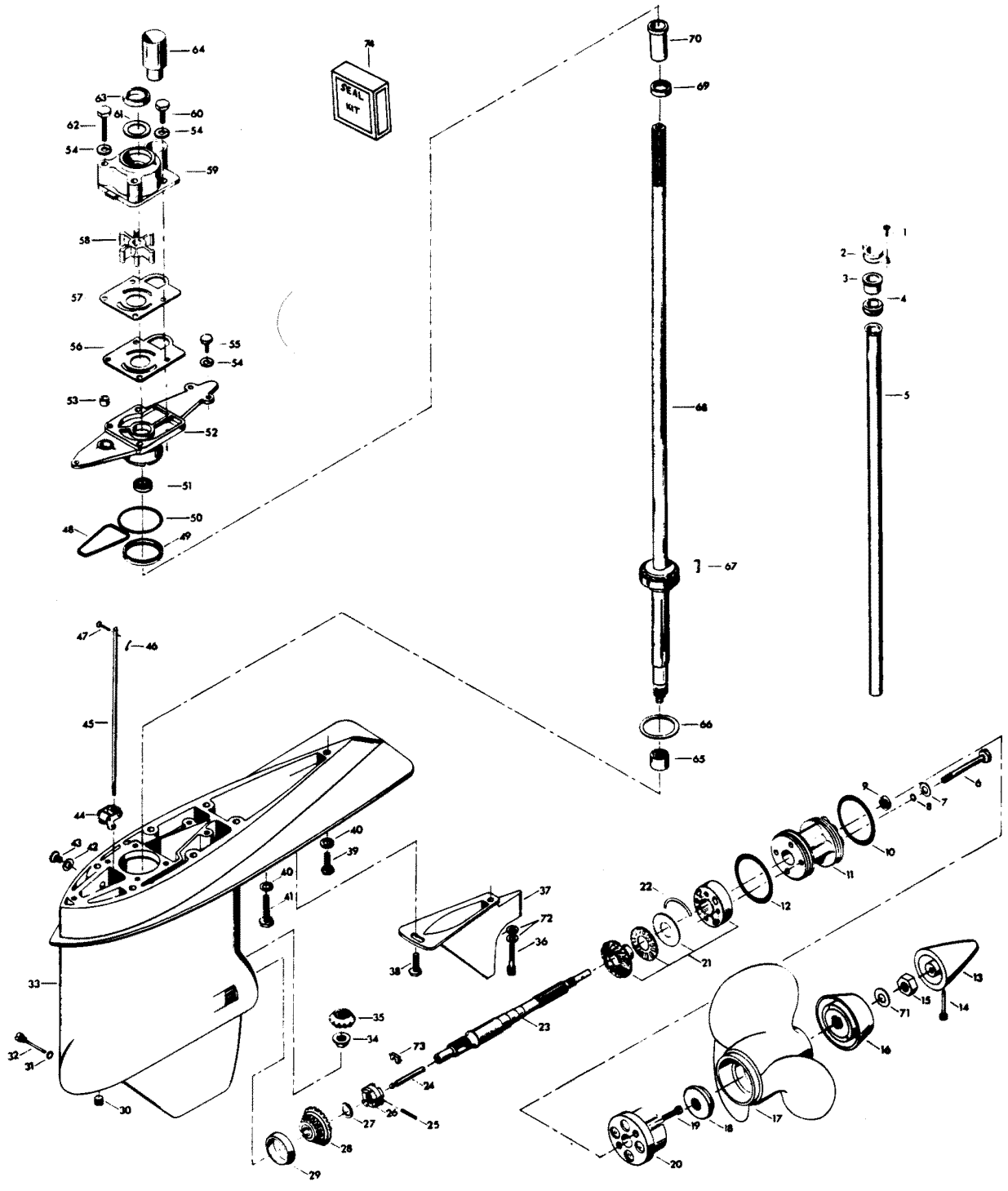
# MOTOR LEG



# MOTOR LEG

REF. NO.	PART NO.	SYM.	QTY.	DESCRIPTION
43	A85135		1	LEG COVER, FRONT
44	F1822		4	HEX BOLT, 5/16 - 18 X 7/8
45	F8096		4	SPRING LOCKWASHER
46	F85704		1	COUPLER, GEAR SHIFT ROD
47	F438346		1	SHOCK MOUNT LOWER
48	F1703		2	SPRING LOCKWASHER
49	F1871		4	HEX HD SCREW, 3/8 - 16 X 3/4
50	F85779-1		1	BAFFLE, AIR INTAKE
51	F1912		4	HEX HD SCREW, 10 - 24 X 1/2
52	F85965		2	SHOCK MOUNT UPPER
53	F85615		1	GEAR SHIFT ROD UPPER
54	F2108		2	LOCK NUT
55	F1987		1	PLAIN WASHER
56	FA85355-1		2	WASHER
57	F8039		2	PLAIN WASHER
58	F439736		1	SEAL, EXHAUST TUBE
59	F2093		2	STOP NUT, 3/8 - 24
60	F523881-1		1	STEERING LINK
61	F523930		1	RETAINER
62	F523273		1	STEERING BALL STUD
63	F1280		1	PAN HD SCREW, 8 - 32 X 1/4
64	F8080		1	SPRING LOCKWASHER
65	F8038		2	PLAIN WASHER
66	F523300-1		1	SPRING

# GEAR HOUSING

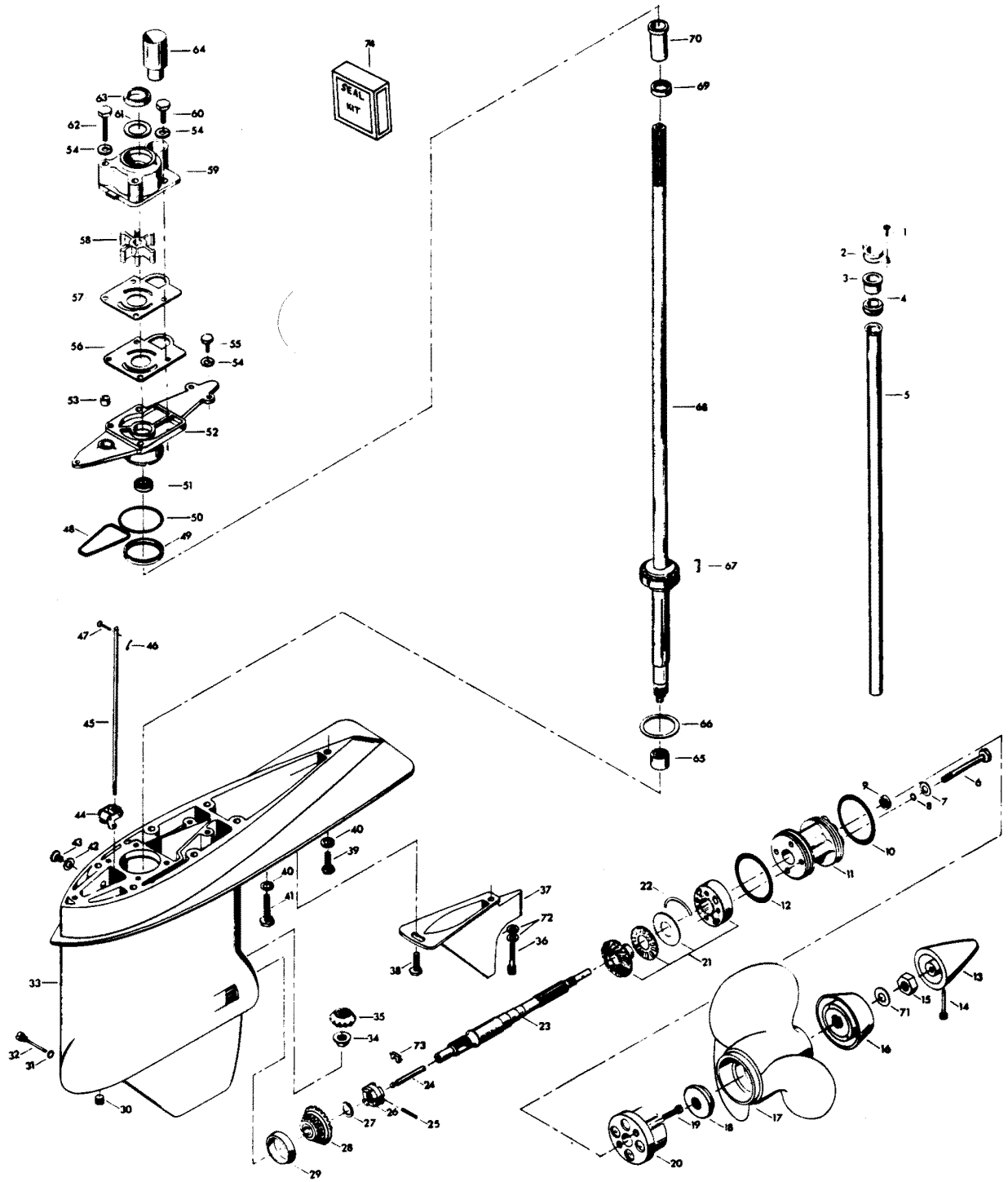


# GEAR HOUSING

REF. NO.	PART NO.	SYM.	QTY.	DESCRIPTION
1	F1536		2	HEX CAP SCREW, 1/4 - 20 X 3/4
2	F85117		1	BRACKET, WATER LINE
3	F84342		1	SEAL, INLET WATER LINE, UPPER
4	F523899		1	GROMMET, WATER LINE
5	F523244		1	INLET WATER LINE
6	F1885		4	HEX CAP SCREW, 5/16 - 18 X 4 1/4
7	F1907		4	PLAIN WASHER
8	F50342-1		4	SEAL, "O" RING
9	F506118		1	SEAL, PROPELLER SHAFT
10	F24278		1	SEAL, "O" RING PROPELLER SHAFT SPOOL
11	F2A523239		1	SPOOL, PROPELLER SHAFT BEARING W/SEALS
12	F84305		1	SEAL, "O" RING PROPELLER SHAFT SPOOL
13	F523094-2		1	PROPELLER NUT
14	F498891		1	PIN, PROPELLER NUT RETAINING
15	F1788		1	STOP NUT
16	F532299		1	WASHER
17	FPS526		1	PROPELLER (ACCESSORY ITEM)
18	F523099-1		1	SPACER, PROPELLER
19	F1577		2	FILL HD SCREW, 1/4 - 20 X 3/4
20	FA523485		1	ANTICORROSION ANODE
21	F2A498662		1	BEVEL GEAR REAR W/BEARING CAGE SPACER AND BEARING
22	F523411		2	RETAINING RING, BEARING CAGE
23	FA523098		1	PROPELLER SHAFT
24	F84871-1		1	PIN, GEAR SHIFT W/YOKE
25	F1713		1	SPRING PIN
26	F84521-1		1	CLUTCH
27	F1936		A/R	SPACER, BEVEL GEAR FRONT .059
-	F1937		A/R	SPACER, BEVEL GEAR FRONT .062
-	F1938		A/R	SPACER, BEVEL GEAR FRONT .065
-	F1939		A/R	SPACER, BEVEL GEAR FRONT .068
-	F1940		A/R	SPACER, BEVEL GEAR FRONT .071
-	F1941		A/R	SPACER, BEVEL GEAR FRONT .074
-	F1942		A/R	SPACER, BEVEL GEAR FRONT .077
-	F2113		A/R	SPACER, BEVEL GEAR FRONT .080
-	F2114		A/R	SPACER, BEVEL GEAR FRONT .083
-	F2115		A/R	SPACER, BEVEL GEAR FRONT .086
-	F2116		A/R	SPACER, BEVEL GEAR FRONT .089
-	F2121		A/R	SPACER, BEVEL GEAR FRONT .057
-	F2122		A/R	SPACER, BEVEL GEAR FRONT .054
28	F2A498023		1	BEVEL GEAR FRONT W/BEARING
29	F523813		1	BEARING CUP
30	F19109		1	PLUG

CONTINUED ON NEXT PAGE ➡

# GEAR HOUSING



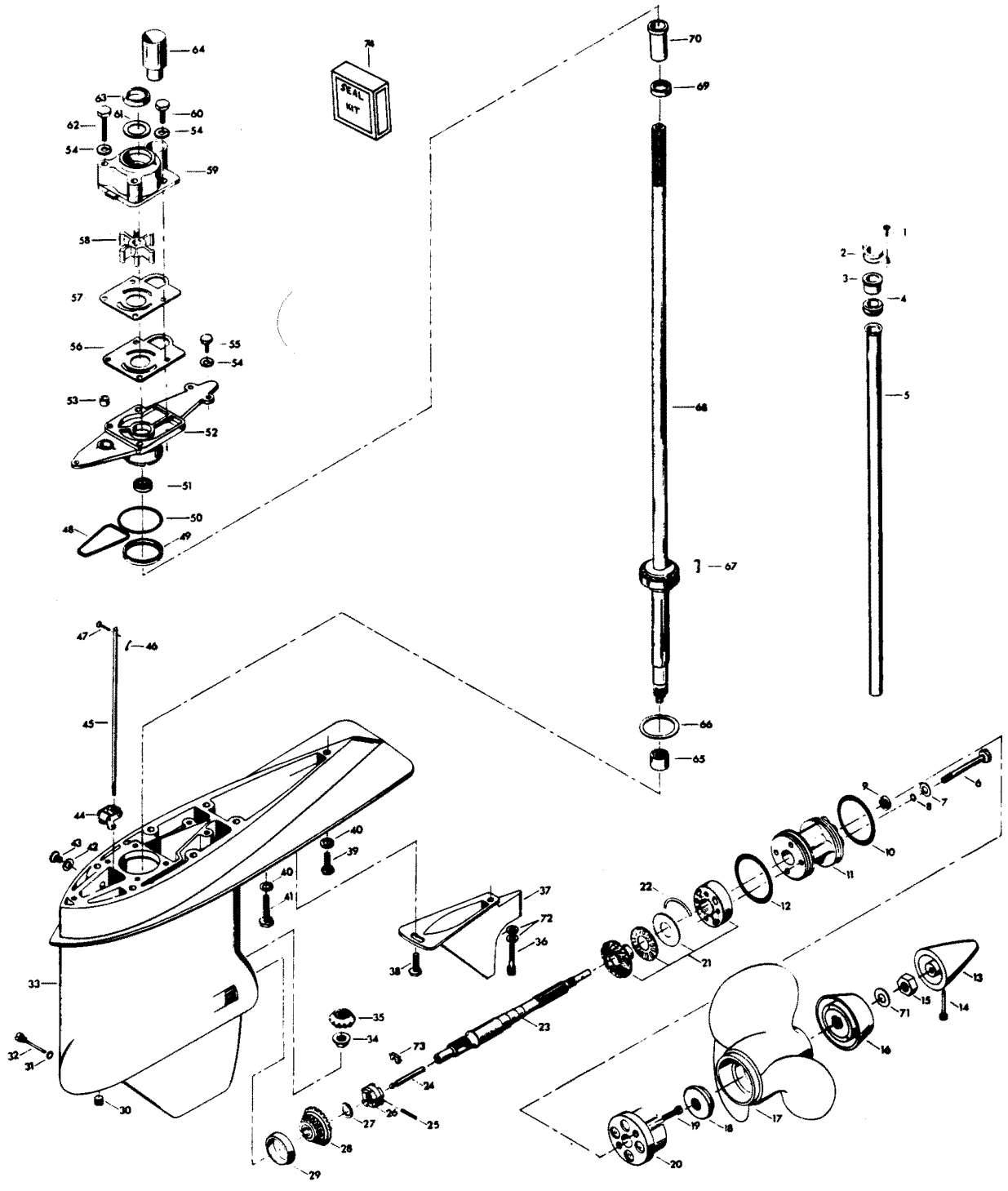


# GEAR HOUSING

REF. NO.	PART NO.	SYM.	QTY.	DESCRIPTION
30	F498618		1	SEAL
32	F498891		1	PIN, GEAR SHIFT ARM
33	FC550054		1	GEAR HOUSING W/BEARING CUP, DRIVESHAFT BEARING LOWER, PLUGS & WASHERS.
34	F523188		1	NUT, BEVEL PINION
35	FA498266		1	BEVEL PINION GEAR W/CRUSH RING AND SHIMS
36	F1994		1	HEX SOCKET HD CAP SCREW, 5/16-18 X 1
37	F523116		1	EXHAUST SNOOT
38	F438930		1	RETAINER, SNOOT
39	F1858		1	HEX CAP SCREW, 5/16 - 18 X 1
40	F8096		7	SPRING LOCKWASHER
41	F1491		6	HEX HD SCREW, 5/16 - 18 X 3/4
42	F8077		2	WASHER, GEAR HOUSING PLUG
43	F50109		2	PLUG, GEAR HOUSING
44	FA84621-1		1	COUPLING, GEAR SHIFT ARM W/BUSHING
45	F523705		1	GEAR SHIFT ROD LOWER
46	F1015		1	COTTER PIN
47	F85372		1	PIN, GEAR SHIFT ROD LOWER
48	F523555		1	SEAL, "O" RING, GEAR HOUSING COVER
49	F523961		1	CRUSH RING
50	F74305		1	SEAL, DRIVESHAFT BEARING CAGE
51	F506118		1	SEAL, DRIVESHAFT
52	FA523706		1	GEAR HOUSING COVER W/SEALS
53	F338618-1		1	SEAL, GEAR SHIFT ROD
54	F8083		7	SPRING LOCKWASHER
55	F1534		3	HEX CAP SCREW, 1/4 - 20 X 7/8
56	F523031		1	GASKET, WATER PUMP
57	F523562		1	PLATE, WATER PUMP
58	F523065-1		1	IMPELLER, WATER PUMP
59	46-817853A1		1	WATER PUMP BODY W/DRIVESHAFT SEAL, DISC AND WATERLINE SEAL
60	F1990		2	HEX CAP SCREW, 1/4 - 20 X 1 5/8
61	F480388		1	DISC, WATER PUMP LOCATING
62	F1425		2	HEX CAP SCREW, 1/4 - 20 X 2 5/8
63	F351307		1	SEAL, DRIVESHAFT - WATER PUMP
64	FA523735		1	SEAL, INLET WATER LINE, LOWER
65	F523057		1	BEARING, DRIVESHAFT LOWER
66	F9106		A/R	SHIM, DRIVESHAFT BEARING, UPPER .003 BRASS
-	<b>F9095</b>		<b>A/R</b>	<b>SHIM, DRIVESHAFT BEARING UPPER .005 SILVER</b>
-	<b>F9097</b>		<b>A/R</b>	<b>SHIM, DRIVESHAFT BEARING, UPPER .010 BLACK</b>
67	F523498		1	DRIVE KEY, WATER PUMP
68	FK550128		1	DRIVESHAFT W/BEARING, SHIMS AND CRUSH RING
69	F438271		1	RETAINER, CRANKSHAFT SPLINE SEAL
70	F438129		1	SEAL, DRIVESHAFT SPLINE

CONTINUED ON NEXT PAGE ➡

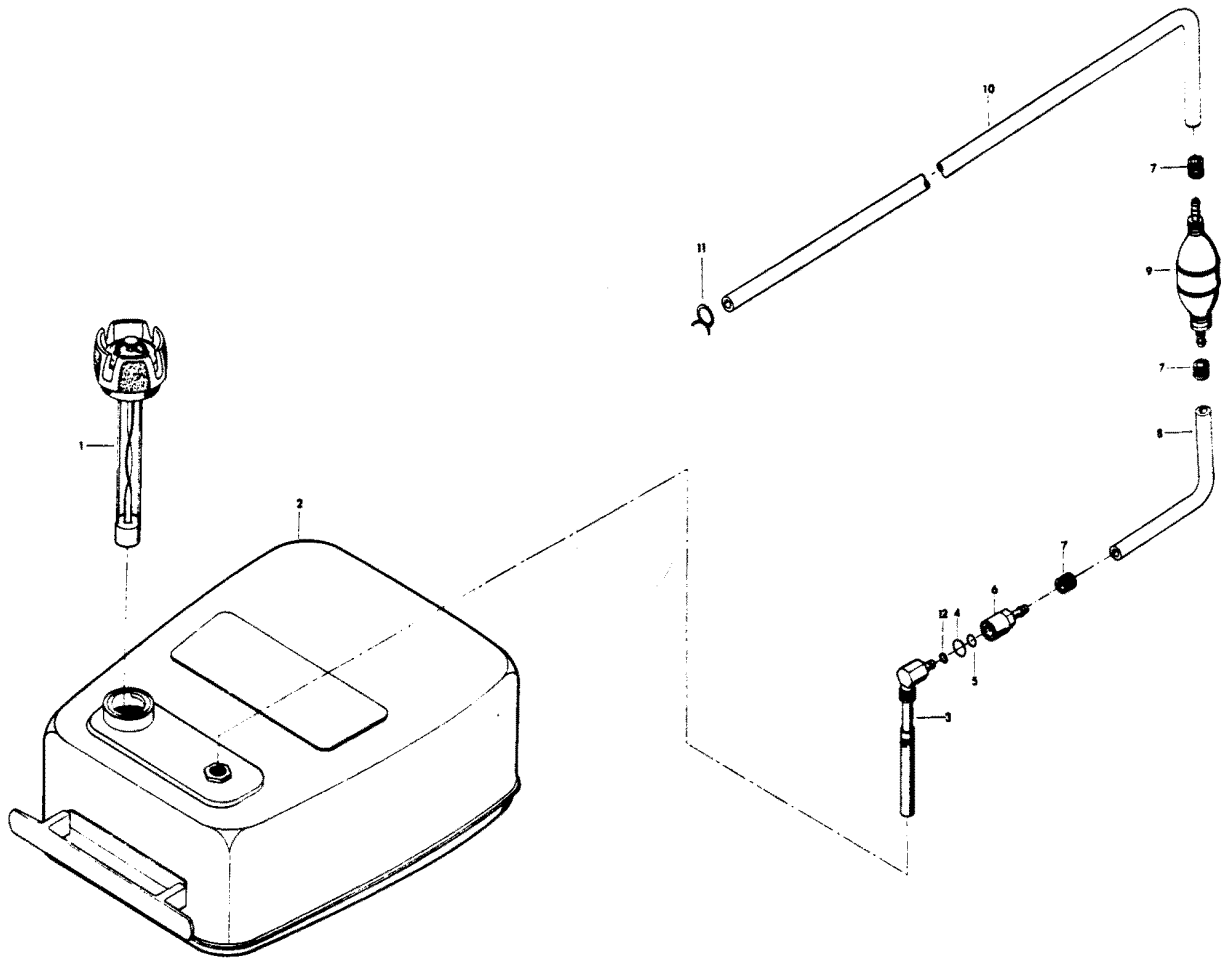
# GEAR HOUSING



# GEAR HOUSING

REF. NO.	PART NO.	SYM.	QTY.	DESCRIPTION
71	F1866		1	PLAIN WASHER
72	F1856		2	PLAIN WASHER
73	F90619-1		1	YOKE
74	FK1063		1	SEAL KIT (INCLUDES ITEMS BELOW)
-	F50342-1		4	SEAL, BEARING CAGE BOLT
-	F506118		1	SEAL, PROPELLER SHAFT
-	F24278		1	SEAL, PROPELLER SHAFT SPOOL
-	F84305		1	SEAL, PROPELLER SHAFT SPOOL
-	F498618		1	SEAL, GEARSHIFT ARM PIN
-	F8077		2	WASHER
-	F523555		1	SEAL, GEAR HOUSING COVER
-	F74305		1	SEAL, GEAR HOUSING COVER
-	F84307-1		1	SEAL, DRIVESHAFT
-	F338618-1		1	SEAL, GEAR SHIFT ROD
75	FK1069		1	WATER PUMP KIT
-	F1425		2	HEX CAP SCREW, 1/4 - 20 X 5/8
-	F1990		2	HEX CAP SCREW
-	F8083		4	SPRING LOCKWASHER
-	F523031		1	GASKET, WATER PUMP
-	F523065-1		1	IMPELLER
-	F523498		1	KEY
-	F523562		1	PLATE, WATER PUMP
-	46-817853A1		1	WATER PUMP

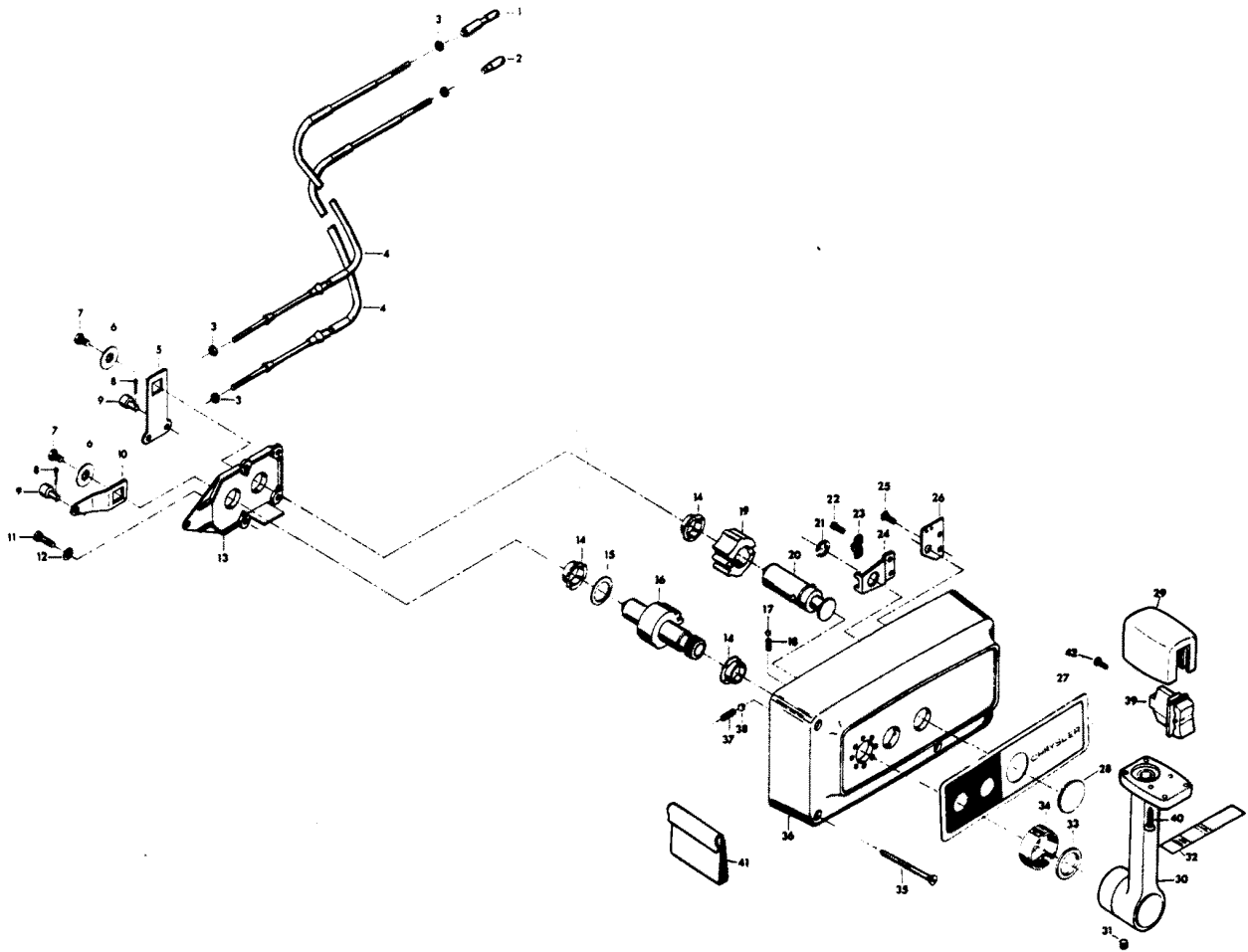
# FUEL TANK AND LINE



## FUEL TANK AND LINE

REF. NO.	PART NO.	SYM.	QTY.	DESCRIPTION
1	F409251-1		1	GAUGE CAP
2	F5H026		1	FUEL TANK (ACCESSORY ITEM)
3	F485755-1		1	FUEL TANK ADAPTER
4	F213342		1	SEAL, FUEL LINE COUPLER (LARGE)
5	F213735		1	SEAL, FUEL LINE COUPLER (SMALL)
6	F197787-3		1	FUEL LINE COUPLER
7	F298788		3	FERRULE
8	FA84754-1		1	FUEL LINE SHORT W/FERRULES
9	89396A38		1	PRIME BULB
10	32-817738A1		1	FUEL LINE LONG W/CLAMP AND FERRULE
11	F97772		1	FUEL LINE CLAMP
12	F17932		1	SEAL, FUEL LINE COUPLER
-	<b>FS409752</b>		<b>1</b>	<b>FUEL LINE COMPLETE</b>
-	<b>FC409398</b>		<b>1</b>	<b>DECAL, TOTE TANK - CANADA (NOT SHOWN)</b>

# REMOTE CONTROL

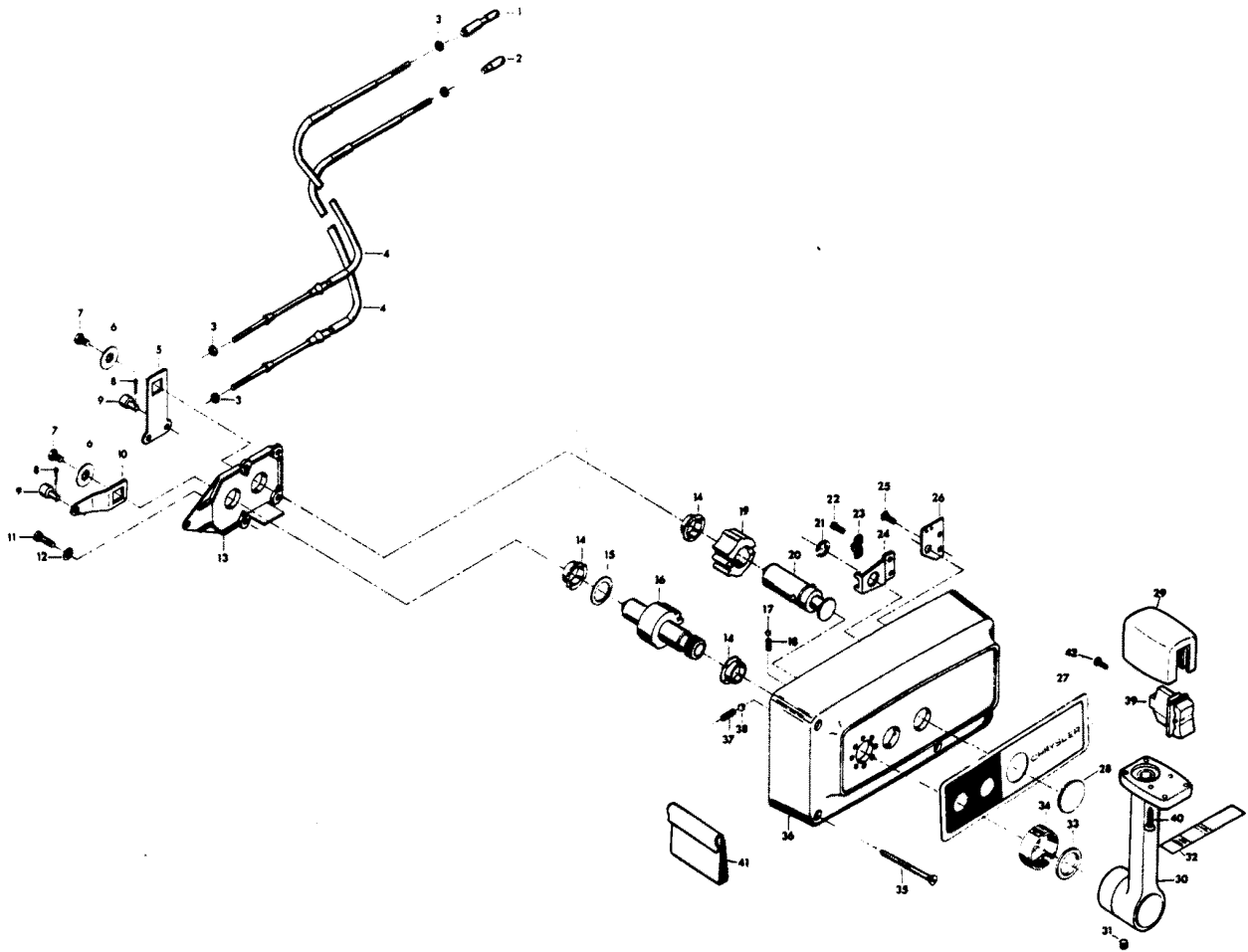


# REMOTE CONTROL

REF. NO.	PART NO.	SYM.	QTY.	DESCRIPTION
1	FA58976-1		1	CONNECTOR, THROTTLE CABLE
2	F58685-2		1	CONNECTOR, SHIFT CABLE
3	F1513		4	HEX NUT
4	ÄF58356//		2	REMOTE CONTROL CABLE (SPECIFY LENGTH)
5	F17019		1	CLUTCH ARM
6	F17036		2	INTERNAL TOOTH LOCKWASHER
7	F1715		2	HEX BOLT, 1/4 - 28 X 9/16
8	F17149		2	COTTER PIN
9	F17016		2	CABLE TERMINAL
10	F17014		1	THROTTLE ARM
11	F17013		2	FILL HD SCREW, 1/4 - 20 X 1/2
12	F17147		2	INTERNAL TOOTH LOCKWASHER
13	F17012		1	RETAINING PLATE
14	F17009		3	BEARING
15	F17011		1	BOWED WASHER
16	F17010-1		1	THROTTLE GEAR
17	F17111		1	DETENT BALL
18	F17006		1	DETENT SPRING
19	F17021		1	CLUTCH GEAR
20	F17100		1	CLUTCH SHAFT
21	F17092		1	SNAP RING
22	F17071		2	FILL HD SCREW, 10 - 24 X 5/16
23	F154317		1	CABLE CLAMP
24	F17026		1	SWIVEL
25	F1557		2	FLAT HD SCREW, 10 - 24 X 3/8
26	F17112		1	JUNCTION BOARD, STARBOARD
-	<b>F17113</b>		<b>1</b>	<b>JUNCTION BOARD, PORT</b>
27	F17148		1	DECAL, STARBOARD
-	<b>F531892</b>		<b>1</b>	<b>DECAL, PORT</b>
28	F17031-1		1	SNAP CAP
29	F449543		1	KNOB
30	F448611-1		1	LEVER
31	F445690		1	SET SCREW
32	F449894		1	INDICATOR - STARBOARD
-	<b>F448894</b>		<b>1</b>	<b>INDICATOR - PORT</b>
33	F17105		1	FELT WASHER
34	F17106		1	COLLAR
35	F17146		3	WOOD SCREW
36	F17099-1		1	HOUSING
37	F17068		1	DETENT SPRING
38	F17082-1		1	DETENT BALL
39	F455449		1	SWITCH, TRIM
40	F1461		2	SCREW #6 X 7/8

CONTINUED ON NEXT PAGE ➡

# REMOTE CONTROL

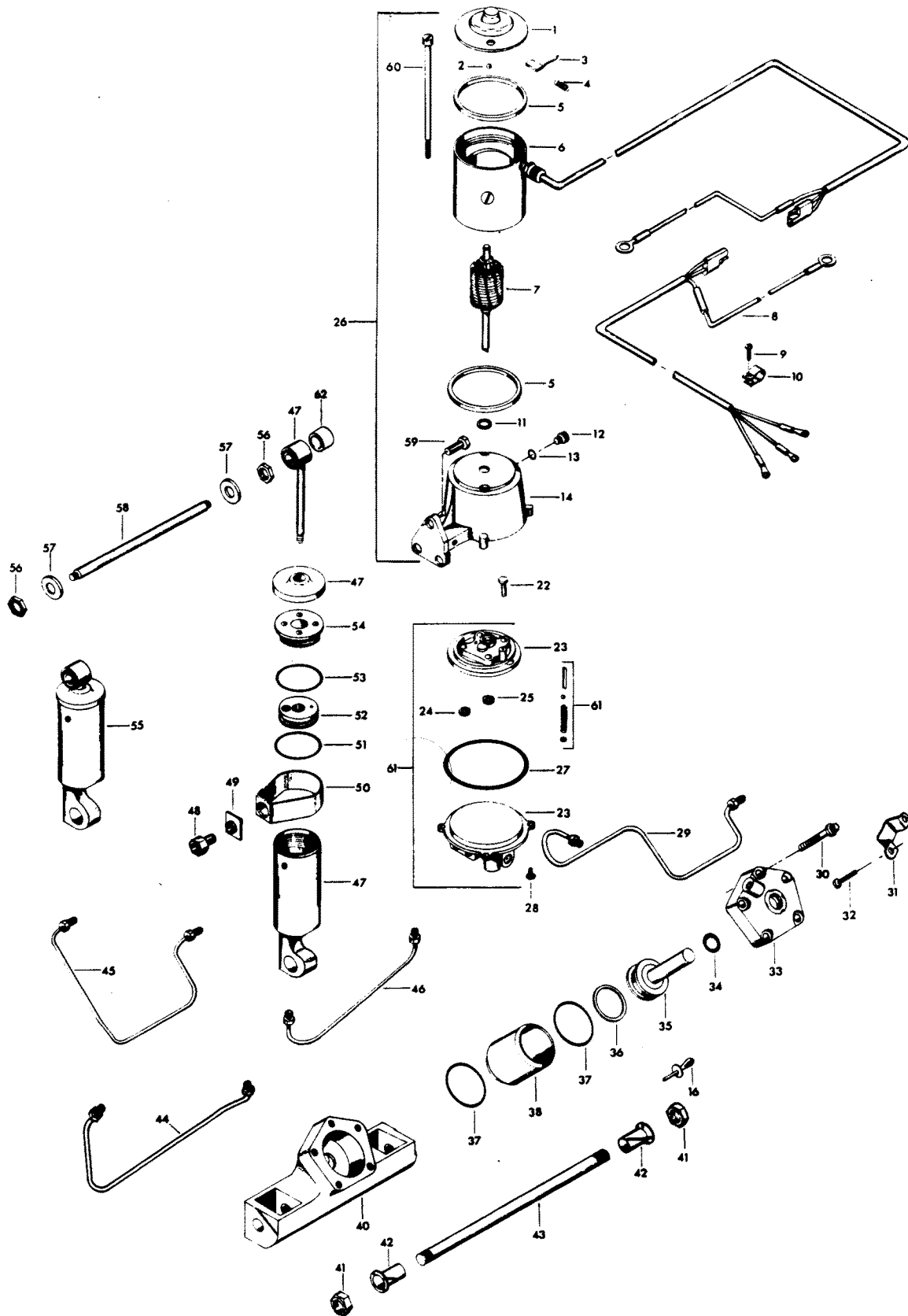




# REMOTE CONTROL

REF. NO.	PART NO.	SYM.	QTY.	DESCRIPTION
41	F448446		1	CLAMP, TRIM SWITCH CABLE
-	F1280		2	PAN HD SCREW, 8 - 32 X 1/4 (TERMINAL BOARD) (NOT SHOWN)
-	OB3061		1	LITERATURE (NOT SHOWN)
-	F17103-1		1	BAG ASSEMBLY (NOT SHOWN). INCLUDES ALL ITEMS MARKED WITH AN ASTERISK (*).
42	F1280		3	PAN HD SCREW, 8 - 32 X 1/4

# POWER TRIM UNIT

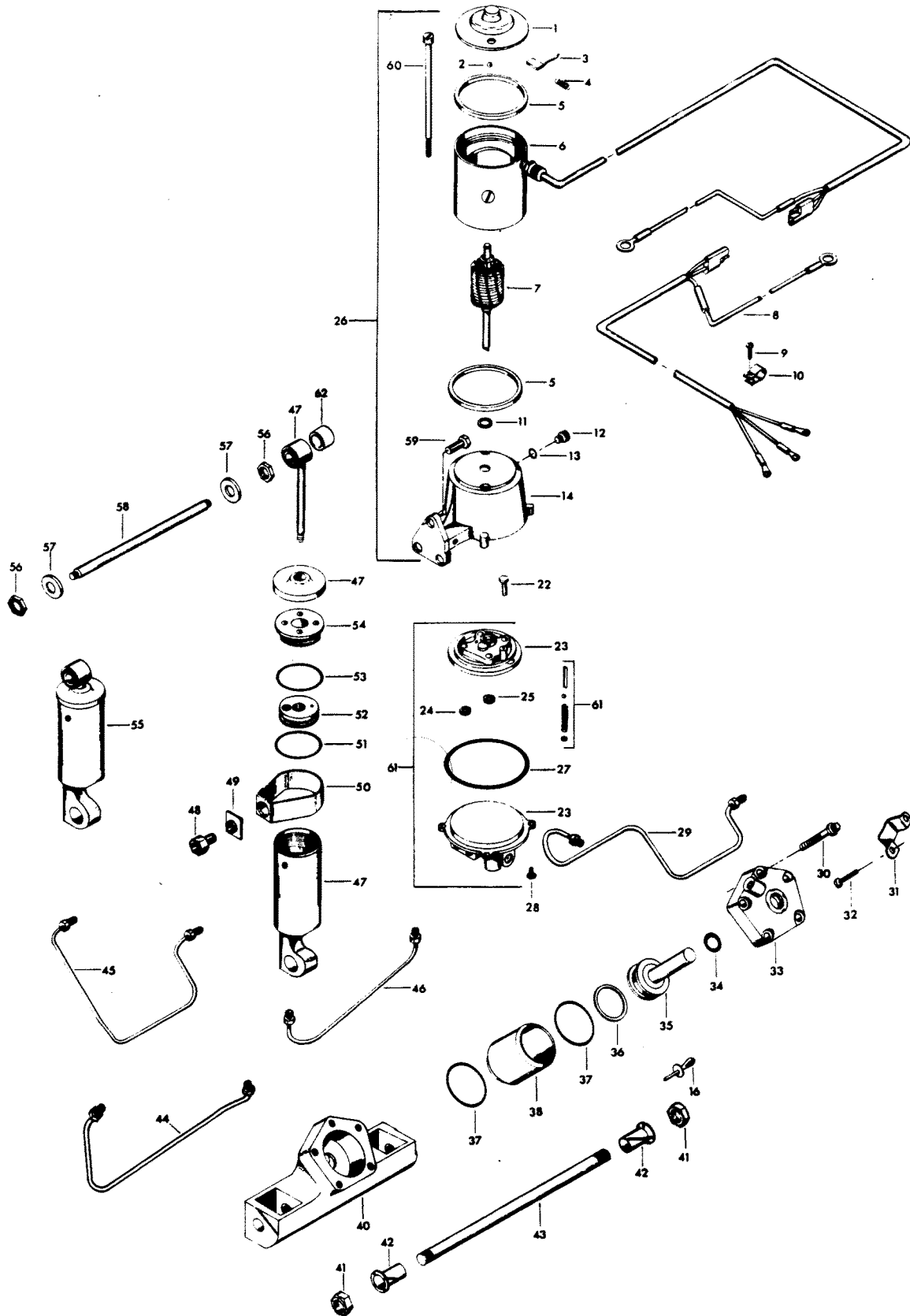


# POWER TRIM UNIT

REF. NO.	PART NO.	SYM.	QTY.	DESCRIPTION
1	F17543		1	HEAD ASSEMBLY, COMMUTATOR END
2	F17539		1	BALL
3	F17504		1	BRUSH SET
4	F17500		1	SPRING SET
5	F17557		2	GASKET
6	F17556		1	FIELD AND FRAME ASSEMBLY
7	F17555		1	ARMATURE
8	F500843		1	CABLE
9	F1741		2	THREAD FORMING SCREW, 8 X 3/4
10	F178446		2	CLAMP
11	F17508		A/R	THRUST WASHER
12	F17518		1	FILLER CAP
13	F17510		1	"O" RING
14	F17505		1	RESERVOIR AND BRACKET W/SEAL
16	F1966		1	PLUG, SWIVEL BRACKET
22	F1203		1	HEX CAP SCREW, 1/4 - 20 X 7/8
23	F17564		1	VALVE BODY PUMP
24	F17566		1	IDLE GEAR
25	F17565		1	DRIVE GEAR
26	F17563		1	MOTOR AND RESERVOIR
27	F17522		1	"O" RING
28	F1310		4	ROUND HD SCREW, 10 - 24 X 5/8
29	F449254		1	HYDRAULIC LINE, TRIM CYLINDER, UPPER
30	F1959		5	FERRY HD CAP SCREW, 1/4-20 X 1 3/4, STAINLESS STEEL
31	F449354		1	THRUST BRACKET
32	F1734		2	FILL HD MOUNTING SCREW AND LOCKWASHER, 1/4 - 20 X 1/2
33	FA449149		1	COVER W/SEALS AND RETAINER
34	F449342		1	SEAL, PISTON SHAFT
35	FA449015		1	PISTON
36	F449278		1	PISTON SEAL
37	F40278		2	SEAL, CYLINDER
38	F449010		1	CYLINDER
40	F449545-2		1	CYLINDER HOUSING
41	F1963		2	ELASTIC STOP NUT, 5/8 - 18
42	F178362		2	BEARING
43	F449632		1	SHAFT
44	F449253-1		1	HYDRAULIC LINE, TRIM CYLINDER, LOWER
45	F449758		1	HYDRAULIC LINE, LIFT CYLINDER, UPPER
46	F449754-1		1	HYDRAULIC LINE, LIFT CYLINDER, LOWER
47	FA17559		1	LIFT CYLINDER COMPLETE
48	F17577		1	ADAPTER FITTING PACKAGE
49	F17577		1	ADAPTER FITTING PACKAGE

CONTINUED ON NEXT PAGE ➡

# POWER TRIM UNIT



# POWER TRIM UNIT

REF. NO.	PART NO.	SYM.	QTY.	DESCRIPTION
50	F17577		1	ADAPTER FITTING PACKAGE
51	F17561-1		1	"O"RING
52	F17562-1		1	PISTON ASSEMBLY
53	F17528		1	"O"RING
54	F17560		1	HEAD ASSEMBLY
55	FA178962		1	SHOCK ABSORBER W/BUSHING
56	F1931		2	STOP NUT, 1/2 - 20, STAINLESS STEEL
57	F1960		2	PLAIN WASHER
58	F449889		1	SHAFT, UPPER
59	F1822		3	HEX CAP SCREW, 5/16 - 18 X 7/8, STAINLESS STEEL
60	F17558		1	THRU-BOLT PACKAGE
61	F17568		1	HYDRAULIC PUMP AND VALVE ASSEMBLY
-	<b>F1877</b>		<b>2</b>	<b>TY-RAP (NOT SHOWN)</b>
62	F178344		2	BUSHING, SHOCK ABSORBER - UPPER END

## SPECIAL TOOLS - TUNE-UP

REF. NO.	PART NO.	SYM.	QTY.	DESCRIPTION
-	FT8948-1		0	PULLER TO REMOVE FLYWHEEL.
-	FTA2937-1		0	TIMING TOOL TO ADJUST TIMING POINTER.
-	FT8978		0	POWER TIMING LIGHT FOR ADJUSTMENT OF ENGINE TIMING.
-	FT2951		0	CIRCUIT TRACER TO TROUBLESHOOT ELECTRICAL SYSTEM.

## SPECIAL TOOLS - POWER HEAD

REF. NO.	PART NO.	SYM.	QTY.	DESCRIPTION
-	FT8914		0	SEAL REMOVER TO REMOVE UPPER CRANKSHAFT BEARING CAGE SEAL.
-	FT8903		0	SEAL INSTALLER TO INSTALL UPPER CRANKSHAFT BEARING CAGE SEAL.
-	FT8927		0	SEAL PROTECTOR TO INSTALL UPPER CRANKSHAFT BEARING CAGE.
-	FT8907		0	DRIVE HANDLE USED WITH T8903.
-	FT8925		0	SEAL INSTALLER TO INSTALL LOWER CRANKSHAFT SEAL.
-	FT2953		0	SOCKET TO TORQUE CONNECTING ROD SCREWS.
-	FT2990		0	PISTON PIN TOOL TO REMOVE AND INSTALL PISTON PINS.
-	FT2996		0	RING COMPRESSOR TO INSTALL PISTON IN CYLINDER.
-	FT8926		0	RING EXPANDER TO INSTALL PISTON RINGS.
-	FT1082		0	SNAP RING PLIER TO REMOVE AND INSTALL DISTRIBUTOR RETAINING RING.
-	FT7848		0	TORQUING ADAPTER HOLD DRIVESHAFT WHILE INSTALLING OR REMOVING PINION NUT.
-	FT8933		0	LIFTING HOOK TO LIFT ENGINE.

## SPECIAL TOOLS - GEAR HOUSING

REF. NO.	PART NO.	SYM.	QTY.	DESCRIPTION
-	FT8948-1		0	PULLER TO REMOVE SPOOL FROM GEAR HOUSING.
-	FT8985		0	SEAL INSTALLER TO INSTALL PROPELLER SHAFT SEAL IN PROPELLER SHAFT BEARING SPOOL.
-	FT8925		0	SEAL INSTALLER TO INSTALL DRIVESHAFT SEAL IN GEAR HOUSING COVER.
-	FT8907		0	DRIVER HANDLE TO INSTALL BEARING CUPS AND SEALS.
-	FT8901		0	INDICATOR HOLDER USED IN CONJUNCTION WITH T 8997.
-	FT8902		0	DIAL INDICATOR USED IN CONJUNCTION WITH T 8997.
-	FT8919		0	SPRING PIN PUNCH TO REMOVE CLUTCH SPRING PIN.
-	FT8957		0	SEAL INSTALLER TO INSTALL SHIFT ROD SEAL.
-	FT8997		0	SHIMMING POOL TO SHIM LOWER UNIT.
-	FT8918		0	BEARING GUIDE SET TO REMOVE FORWARD BEARING CUP IN GEAR HOUSING.
-	FT11209		0	BEARING GUIDE SET USE WITH T 8918.
-	FT11207		0	BEARING CUP REMOVER TO REMOVE FORWARD BEARING CUP IN GEAR HOUSING.
-	FT11204		0	BEARING CUP INSTALLER TO INSTALL FORWARD BEARING CUP IN GEAR HOUSING.
-	FT3012		0	SEAL INSTALLER TO INSTALL WATER PUMP SEAL.
-	FT11205		0	BEARING INSTALLER/REMOVER TO INSTALL AND REMOVE LOWER DRIVESHAFT BEARING IN GEAR HOUSING.



## SPECIAL TOOLS - TEST EQUIPMENT

REF. NO.	PART NO.	SYM.	QTY.	DESCRIPTION
-	FT8950		0	LEAKAGE TESTER TO TEST LOWER UNIT SEALS FOR LEAKAGE.
-	FTK8999		0	TEST WHEEL TO TEST MOTOR IN TEST TANK. ORIGINAL FORCE P/N TA 8999
-	FT8953		0	IGNITION TESTER TO TEST OUTPUT OF C-D UNIT.

## SPECIAL TOOLS - LUBRICANTS AND SEALANTS

REF. NO.	PART NO.	SYM.	QTY.	DESCRIPTION
-	FT2961		0	LUBRICANT - RYKON #2EP
-	FT2987-1		0	LUBRICANT - ANTI-SEIZE
-	FT8969		0	LUBRICANT - 7 OZ. 2 PSI LUBRICANT
-	FT8955		0	SEALANT - 5 OZ. EC-750 INDUSTRIAL SEALANT
-	FT8993		0	SEALANT - 3 OZ. RTV SEALANT FROM IN PLACE GASKETS
-	FT8936		0	SEALANT - 2 CC LOCTITE RETAINING COMPOUND #75
-	FT2962-1		0	SEALANT - 50 CC LOCTITE H, NON-HARDENING GRADE
-	FT2963-1		0	SEALANT - 2 OZ. LOCTITE D, HARDENING GRADE
-	FT8935		0	SEALANT PRIMER - 6 OZ.

# SPECIAL TOOLS - REPAIR DECALS - ENGINE COVERS

REF. NO.	PART NO.	SYM.	QTY.	DESCRIPTION
-	T11232		0	METALLIC SILVER
-	T11233		0	MEDIUM METALLIC SILVER
-	T11212		0	BOAT BLACK
-	T11211		0	BOAT WHITE
-	T11230		0	ORANGE

# ACCESSORIES

REF. NO.	PART NO.	SYM.	QTY.	DESCRIPTION
-	F5H014		0	FLUSHING ADAPTER PERMITS FRESH WATER FLUSHING OF WATER PASSAGES WITH STANDARD GARDEN HOSE.
-	F5H130		0	REMOTE CONTROL BOX (SINGLE LEVER) (SURFACE MOUNT) PERMITS REMOTE CONTROL OF THROTTLE AND GEAR SHIFT FROM STARBOARD SIDE OF BOAT.
-	F5H120		0	REMOTE CONTROL BACK PLATE PROTECTS CONTROL MECHANISM FROM PADDED BOAT SURFACES.
-	F5H131		0	PORT SIDE DECAL KIT CONVERTS 5H130 CONTROL BOX TO PORT SIDE MOUNTING.
-	F590		0	REMOTE CONTROL HEAD (SINGLE LEVER) FLUSH MOUNT CONTROL UNIT PERMITS REMOTE CONTROL OF THROTTLE AND GEAR SHIFT. MAY BE MOUNTED ON PORT OR STARBOARD SIDE OF BOAT.
-	865		0	TWIN REMOTE CONTROL BOX PERMITS REMOTE CONTROL OF THROTTLE, AND GEAR SHIFT ON TWIN ENGINE INSTALLATIONS. MAY BE MOUNTED ON PORT OR STARBOARD SIDE OF BOAT.
-	F5H079		0	REMOTE CONTROL BOX FOR MOUNTING ON CONSOLE OF BOAT.
-	F5H080		0	TWIN REMOTE CONTROL BOX FOR MOUNTING ON CONSOLE OF BOAT.
-	F195/___		0	REMOTE CONTROL CABLES CONNECTS REMOTE CONTROL BOX TO THROTTLE AND GEAR SHIFT ON ENGINE. AVAILABLE IN 6 THROUGH 40 FOOT LENGTHS.
-	F5H108		0	STEERING CONNECTOR CLEVIS TYPE FOR BOAT MOUNTED STEERING AND NON THREADED CABLE END.
-	F5H018		0	DUAL ENGINE TIE BAR PERMITS DUAL ENGINE INSTALLATIONS.
-	F5H094		0	STEERING LINK CONNECTS ENGINE TO REMOTE STEERING CABLE.
-	F5H026		0	STEEL, 6 GALLON FUEL TANK (LOW PROFILE) AUXILIARY TANK.
-	F5H029		0	TANK ANCHOR SECURES 5H026 TO BOAT.
-	F5H040		0	STEEL, 12 GALLON FUEL TANK AUXILIARY TANK.
-	F5H019		0	ANTI-CORROSION KIT ELECTRICAL KIT FOR MOUNTING ON BOAT (12V) TO REDUCE CORROSION.
-	F5H025		0	ANTI-CORROSION SACRIFICIAL ANODE KIT USED TO REDUCE CORROSION.
-	F5H043		0	OVERHEAT BUZZER SOUNDS WARNING BUZZER IF ENGINE OVERHEATS.
-	479		0	OVERHEAT LAMP WARNS OF ENGINE OVERHEATING. DO NOT USE GAUGE AND LAMP IN SAME INSTALLATION.
-	F5H010		0	POWER TRIM INDICATOR INDICATES ENGINE TRIM ANGLE. (FLUSH MOUNT).
-	F5H134		0	BOAT WHITE LACQUER ENGINE TOUCH-UP PAINT IN 12-3/4 OZ. SPRAY BOMBS (6 CANS PER CASE).
-	F5H081		0	BATTERY CABLE LONGER LENGTH - 15 FEET.
-	71H06		0	AMMETER - FLUSH MOUNT INDICATES ALTERNATOR OUTPUT.

CONTINUED ON NEXT PAGE ➡

# ACCESSORIES

REF. NO.	PART NO.	SYM.	QTY.	DESCRIPTION
-	F5H006		0	VOLTMETER - FLUSH MOUNT INDICATES BATTERY CONDITION.
-	71H25		0	CHARGE INDICATOR LAMP INDICATES ALTERNATOR OUTPUT.
-	F5H007		0	HOURMETER - FLUSH MOUNT RECORDS ENGINE RUNNING TIME.
-	5H111		0	INSTRUMENT ADAPTER - 2" PROVIDES SURFACE MOUNTING OF INSTRUMENTS.
-	F5H112		0	INSTRUMENT ADAPTER - 3-1/2" PROVIDES SURFACE MOUNTING OF INSTRUMENTS.
-	F5H119		0	PROPELLER SPACER - FLARED REDUCES PROPELLER VENTILATION ON SOME BOAT APPLICATIONS.
-	F5H069		0	RFI SUPPRESSION KIT PROVIDES RADIO NOISE SUPPRESSION.
-	5H048		0	CANVAS HOOD PROTECTION FOR ENGINE COVER.
-	5H051		0	BATTERY, 74 AMP. 12 VOLT HEAVY DUTY BATTERY.
-	F5H041		0	BATTERY TERMINAL KIT ADAPTS MODEL 5H051 BATTERY TERMINALS FOR CONNECTIONS TO CABLE ON ENGINE.
-	F5H021		0	EXTENSION CABLE FOR LENGTHENING BATTERY CABLE 6-1/2 FEET.
-	F5H037		0	CIGAR LIGHTER FOR USE AS CONVENIENCE OUTLET.
-	168		0	CONTROL PANEL FOR MOUNTING LAMPS, SWITCHES, ETC.
-	F5H008		0	FUEL GAUGE FLUSH MOUNT MONITORS FUEL SUPPLY.
-	F5H076		0	SWITCH EXTENSION CABLE 5 FOOT LONG SWITCH WIRING HARNESS.
-	F5H077		0	IGNITION KEY SWITCH SHORT BARREL WITH KEYS.
-	F5H078		0	IGNITION KEY SWITCH LONG BARREL WITH KEYS.
-	478		0	IGNITION LAMP INDICATES WHEN IGNITION SWITCH IS "ON".
-	F762		0	REMOTE ELECTRIC CABLE 25 FOOT CABLE FOR LARGE BOATS.
-	5H082		0	REMOTE ELECTRIC CABLE 35 FOOT CABLE FOR LARGE BOATS.
-	F5H070		0	REMOTE ELECTRIC CABLE 21 FOOT CABLE FOR LARGE BOATS.
-	F5H028		0	SENDING UNIT FOR USE WITH FUEL GAUGE.
-	F5H005		0	TEMPERATURE GAUGE - FLUSH MOUNT MONITORS ENGINE TEMPERATURE. DO NOT USE TEMPERATURE GAUGE AND HEAT LAMP IN SAME INSTALLATION.
-	F5H012		0	TACHOMETER FLUSH MOUNT MONITORS ENGINE R.P.M. TO PROVIDE CHECK OF ENGINE PERFORMANCE.
-	F5H128		0	POWER TRIM ADJUSTS ENGINE TRIM AND TILTS ENGINE.
-	F5H004		0	SPEEDOMETER FLUSH MOUNT MONITORS BOAT SPEED (0-50 M.P.H.)
-	F5H002		0	SPEEDOMETER - FLUSH MOUNT MONITORS BOAT SPEED (0-65 M.P.H.)
-	F5H076		0	SWITCH EXTENSION CABLE 5 FOOT LONG SWITCH WIRING HARNESS.

CONTINUED ON NEXT PAGE ➡

# ACCESSORIES

REF. NO.	PART NO.	SYM.	QTY.	DESCRIPTION
-	F5H003		0	SPEEDOMETER FLUSH MOUNT MONITORS BOAT SPEED (TO 100 KM/H).
-	F5H030		0	SWITCH KIT - RUNNING LIGHTS DASH MOUNTED TOGGLE SWITCH
-	F5H031		0	SWITCH KIT - SPOT LIGHT DASH MOUNTED TOGGLE SWITCH
-	F5H032		0	SWITCH KIT - WIPER DASH MOUNTED TOGGLE SWITCH
-	F5H034		0	SWITCH KIT - BILGE PUMP DASH MOUNTED TOGGLE SWITCH
-	F5H035		0	SWITCH KIT - HORN DASH MOUNTED TOGGLE SWITCH
-	F5H039		0	SWITCH KIT - INSTRUMENT LIGHTS DASH MOUNTED TOGGLE SWITCH
-	F5H036		0	SWITCH KIT - TACHOMETER TRANSFER FOR ONE TACHOMETER ON DUAL ENGINE INSTALLATION.
-	F5H038		0	SWITCH KIT - IGNITION SWITCH TO MOUNT IGNITION SWITCH IN DASH.
-	F563		0	TERMINAL BLOCK KIT DOUBLE ROW 10 SECTION, TO SIMPLIFY ACCESSORY INSTALLATION.
-	479		0	UNIMOUNT UNDER DASH MOUNT FOR INDICATOR LIGHTS AND IGNITION SWITCH.
-	F5H075		0	WIRING HARNESS - IGNITION SWITCH 24" USE WITH 563 TERMINAL BLOCK.
-			0	CHRYSLER OUTBOARD OIL SEE BLOCK COMMENT 1.
-			0	CHRYSLER OUTBOARD GEAR LUBE SEE BLOCK COMMENT 2.
-			0	CHRYSLER OUTBOARD FUEL AID REMOVES MOISTURE, PREVENTS SLUDGE AND VARNISH AND STABILIZES GAS. AVAILABLE IN 16 OZ. CANS AND 12 CAN CASES.
-			0	CHRYSLER OUTBOARD STORAGE LUBRICANT WORKS AS A CORROSION INHIBITOR AND PROTECTS INTERNAL ENGINE PARTS DURING STORAGE. AVAILABLE IN 16 OZ. CANS AND 12 CAN CASES.
-			0	CHRYSLER OUTBOARD MULTI-PURPOSE SPRAY LUBE WORKS AS A LUBRICANT, CLEANER, MOISTURE REMOVER AND ELECTRIC INSULATOR. AVAILABLE IN 9 OZ. CANS AND 12 CAN CASES.
-			0	CHRYSLER OUTBOARD MULTI-PURPOSE GREASE LUBRICATES BEARINGS AND OTHER MOVING PARTS. AVAILABLE IN 8 OZ. TUBES AND 12 TUBE CASES.
-			0	CHRYSLER OUTBOARD GREASE GUN USED WITH CHRYSLER OUTBOARD MULTI-PURPOSE GREASE TUBES FOR PRESSURE FITTINGS.
-			0	CHRYSLER OUTBOARD MULTI-PURPOSE CLEANER

# PARTS INDEX

Part Number	Description	Pg.	Ref. No.	Part Number	Description	Pg.	Ref. No.
ÄF58356//	REMOTE CONTROL CABLE (SPECIFY LENGTH) . . . . .	45	4	F1203	HEX CAP SCREW, 1/4 - 20 X 7/8 . . . . .	49	22
168	CONTROL PANEL . . . . .	59	-	F1253	HEX SOCKET HD CAP SCREW, 3/8 - 16 X 2 . . . . .	25	9
3C588944	ENGINE COVER COMPLETE	3	-	F1263	HEX SOCKET HD CAP SCREWS, 5/16 -18 X 9/16	33	13
478	IGNITION LAMP . . . . .	59	-	F1280	PAN HD SCREW, 8 - 32 X 1/4	7	33
479	OVERHEAT LAMP . . . . .	58	-	F1280	PAN HD SCREW, 8 - 32 X 1/4	35	63
479	UNIMOUNT . . . . .	60	-	F1280	PAN HD SCREW, 8 - 32 X 1/4	47	42
480373	DECAL, MAGNAPOWER IGNITION . . . . .	9	55	F1280	PAN HD SCREW, 8 - 32 X 1/4 (TERMINAL BOARD) (NOT SHOWN) . . . . .	47	-
481373	DECAL, "ELECTRONIC" (NOT SHOWN) . . . . .	15	-	F1285	PAN HD SCREW, 4 - 40 X 3/16 . . . . .	25	39
5H048	CANVAS HOOD . . . . .	59	-	F1310	ROUND HD SCREW, 10 - 24 X 5/8 . . . . .	49	28
5H051	BATTERY, 74 AMP. . . . .	59	-	F1341	HEX NUT, 1/4 - 20 . . . . .	25	21
5H082	REMOTE ELECTRIC CABLE	59	-	F1346	HEX NUT . . . . .	33	22
5H111	INSTRUMENT ADAPTER - 2"	59	-	F14005-2	CAP BASE . . . . .	13	37
71H06	AMMETER - FLUSH MOUNT	58	-	F14007	CAP SCREW . . . . .	13	33
71H25	CHARGE INDICATOR LAMP	59	-	F14010-1	CAP COVER . . . . .	13	34
817747--1	BALL JOINT W/STUD . . . . .	21	23	F14012-1	BRUSH . . . . .	13	39
817747--1	BALL JOINT W/STUD . . . . .	25	25	F14015	CAP CLIP RIVET . . . . .	13	21
817783A5	SWIVEL BRACKET W/BEARINGS & GREASE FITTINGS . . . . .	33	39	F14017	TERMINAL INSULATOR (OUTSIDE) . . . . .	15	46
817786A1	DISTRIBUTOR PULLEY . . . . .	13	3	F14021-1	CAP SEAL . . . . .	13	36
817788A3	SPACER PLATE W/PLUG . . . . .	27	73	F14024	SPACER . . . . .	15	42
817828A1	DISTRIBUTOR . . . . .	15	-	F14025	SPACER . . . . .	13	4
817892--1	PLATE, IGNITION SWITCH - CANADA (NOT SHOWN) . . . . .	9	-	F14028	THRUST WASHER . . . . .	13	5
817931A7	MOTOR LEG COVER, REAR	33	6	F14029	THRUST WASHER . . . . .	13	7
817932A6	TOWERSHAFT W/SWIVEL, BEARINGS AND SCREWS	25	19	F14030	CAP GASKET . . . . .	13	38
85872---1	BRACKET . . . . .	27	59	F14036	SWIVEL . . . . .	13	13
865	TWIN REMOTE CONTROL BOX . . . . .	58	-	F14037	CAP CLIPS . . . . .	13	14
89396A38	PRIME BULB . . . . .	43	9	F14038	CAP CLIP SCREWS . . . . .	13	15
A588391	DECAL LEG, STBD. . . . .	33	-	F14040	VENT . . . . .	13	35
A588392	DECAL LEG, PORT . . . . .	33	1	F14041	EXTERNAL TOOTH LOCKWASHER . . . . .	13	23
A85135	LEG COVER, FRONT . . . . .	35	43	F14042	DISTRIBUTOR HOUSING W/BEARINGS . . . . .	13	12
C523227	SPARK PLUG (CHAMPION QL-76V) - CANADA . . . . .	27	-	F14044	DISTRIBUTOR SHAFT . . . . .	13	40
F10000	GASKET SET (NOT SHOWN)	19	-	F14045	SCREW . . . . .	13	16
F10005	REPAIR PARTS KIT. . . . .	19	54	F14046	TERMINAL SCREW . . . . .	13	19
F1009	HEX HD SCREW, 3/8 - 16 X 2 3/4 . . . . .	25	5	F14047	TERMINAL INSULATOR (INSIDE) . . . . .	13	20
F1014	COTTER PIN . . . . .	17	17	F14049	TERMINAL INSULATOR (OUTSIDE) . . . . .	13	22
F1015	COTTER PIN . . . . .	39	46	F14056	SCREW . . . . .	15	47
F1049	HEX CAP SCREW, 5/16 - 18 X 2 5/8 . . . . .	27	78	F1425	HEX CAP SCREW, 1/4 - 20 X 2 5/8 . . . . .	39	62
F1052	FILL HD SCREW, 1/4 - 20 X 1	25	22	F1425	HEX CAP SCREW, 1/4 - 20 X 5/8 . . . . .	41	-
F1059	FILL HD SCREW, 6 - 32 X 1/4	17	21	F1447	ROUND HD SCREW, 2 X 3/16 . . . . .	3	19
F1064	FILL HD SCREW, 8 - 32 X 3/8	17	3	F1461	SCREW #6 X 7/8 . . . . .	45	40
F1087	FILL HD SCREW, 10 - 24 X 13/16 . . . . .	7	2	F1473	HEX NUT . . . . .	3	36
F1099	FILL HD SCREW, 1/4 - 20 X 1 1/4 . . . . .	25	13	F1475	FILL HD SCREW, 10 - 24 X 1/2 . . . . .	29	103
F1099	FILL HD SCREW, 1/4 - 20 X 1 1/4 . . . . .	27	55	F1491	HEX HD SCREW, 5/16 - 18 X 3/4 . . . . .	39	41
F1107	SLOTTED FILL HD CAP SCREW, 1/4 - 20 X 3/4 . . . . .	27	76	F15034	SPRING SET . . . . .	11	15
F1108	FILL HD SCREW, 1/4 - 20 X 3/4 . . . . .	21	13				

# PARTS INDEX

Part Number	Description	Pg.	Ref. No.	Part Number	Description	Pg.	Ref. No.
F15054	BRUSH AND TERMINAL SET	11	7	F1557	FLAT HD SCREW, 10 - 24 X 3/8	45	25
F15057	BRUSH PLATE AND HOLDER ASSEMBLY	11	16	F1577	FILL HD SCREW, 1/4 - 20 X 3/4	37	19
F15099	ARMATURE	11	5	F1593	HEX HD SCREW, 3/8 - 16 X 3	33	20
F15118	BENDIX DRIVE ASSEMBLY	11	1	F1612	HEX CAP SCREW, 3/8 - 16 X 1 1/4	13	8
F15125	HEAD ASSEMBLY, COMMUTATOR END	11	14	F1641	LOCK NUT, 1/4 - 28	11	2
F15126	THRUST WASHER PACKAGE	11	4	F1645	RD HD SCREW, 6 - 32 X 1/4	7	27
F1513	HEX NUT	7	18	F1645	RD HD SCREW, 6 - 32 X 1/4	23	50
F1513	HEX NUT	45	3	F1647	HEX NUT, 8 - 32	7	6
F1513	HEX NUT, 10 - 32	21	27	F1647	HEX NUT, 8 - 32	13	24
F1513	HEX NUT, 10 - 32	25	27	F1648	PAN HD SCREW, 10 - 24 X 3/4	7	16
F1515	HEX NUT	7	24	F1664	SPRING PIN	33	7
F1515	HEX NUT, 5/16 - 18	21	29	F1692	WOODRUFF KEY	13	41
F15166	FRAME AND FIELD ASSEMBLY	11	6	F1693	TIE BAR RETAINER	17	4
F15167	HEAD ASSEMBLY, DRIVE END	11	3	F1696	HEX BOLT, 5/16 - 18 X 1 3/4	33	17
F15168	THRU BOLT PACKAGE	11	10	F1699	HEX HD SCREW, 1/4 - 20 X 1 1/8	25	8
F1528	WELCH PLUG	33	33	F17006	DETENT SPRING	45	18
F1532	HEX HD SCREW, 1/4 - 20 X 1	21	20	F17009	BEARING	45	14
F1532	HEX HD SCREW, 1/4 - 20 X 1	25	16	F17010-1	THROTTLE GEAR	45	16
F1532	HEX HD SCREW, 1/4 - 20 X 1	27	43	F17011	BOWED WASHER	45	15
F1533	HEX CAP SCREW, 1/4 - 20 X 7/8	29	107	F17012	RETAINING PLATE	45	13
F1533	HEX HD SCREW, 1/4 - 20 X 7/8	23	44	F17013	FILL HD SCREW, 1/4 - 20 X 1/2	45	11
F1533	HEX HD SCREW, 1/4 - 20 X 7/8	25	6	F17014	THROTTLE ARM	45	10
F1534	HEX CAP SCREW, 1/4 - 20 X 7/8	39	55	F17016	CABLE TERMINAL	45	9
F1534	HEX HD SCREW, 1/4 - 20 X 7/8	27	53	F17019	CLUTCH ARM	45	5
F1535	HEX CAP SCREW, 1/4 - 20 X 3/4	3	14	F17021	CLUTCH GEAR	45	19
F1535	HEX CAP SCREW, 1/4 - 20 X 3/4	27	54	F17026	SWIVEL	45	24
F1535	HEX HD SCREW, 1/4 - 20 X 3/4	25	11	F1703	LOCKWASHER	27	71
F1536	HEX CAP SCREW, 1/4 - 20 X 3/4	7	23	F1703	SPRING LOCKWASHER	35	48
F1536	HEX CAP SCREW, 1/4 - 20 X 3/4	37	1	F17031-1	SNAP CAP	45	28
F1536	HEX SLOT HD SCREW, 1/4 - 20 X 3/4	33	4	F17036	INTERNAL TOOTH LOCKWASHER	45	6
F1540	HEX CAP SCREW, 1/4 - 20 X 5/8	11	11	F1704	INTERNAL TOOTH LOCKWASHER	23	49
F1540	HEX CAP SCREW, 1/4 - 20 X 5/8	21	5	F17068	DETENT SPRING	45	37
F1540	HEX CAP SCREW, 1/4 - 20 X 5/8	27	48	F17071	FILL HD SCREW, 10 - 24 X 5/16	45	22
F1540	HEX SCREW, 1/4 - 20 X 5/8	3	20	F1708	HEX HD CAP SCREW, 1/4 - 20 X 1 3/8	3	9
F1541	HEX CAP SCREW, 1/4 - 20 X 5/8	3	25	F17082-1	DETENT BALL	45	38
F154317	CABLE CLAMP	45	23	F17092	SNAP RING	45	21
F1545	SCREW, 1/4 - 20 X 1/2	21	22	F17099-1	HOUSING	45	36
F1546	HEX HD CAP SCREW, 1/4 - 20 X 1/2	9	42	F17100	CLUTCH SHAFT	45	20
				F17103-1	BAG ASSEMBLY (NOT SHOWN)	47	-
				F17105	FELT WASHER	45	33
				F17106	COLLAR	45	34
				F17111	DETENT BALL	45	17
				F17112	JUNCTION BOARD, STARBOARD	45	26
				F17113	JUNCTION BOARD, PORT	45	-
				F1713	SPRING PIN	37	25
				F17146	WOOD SCREW	45	35
				F17147	INTERNAL TOOTH LOCKWASHER	45	12



# PARTS INDEX

Part Number	Description	Pg.	Ref. No.	Part Number	Description	Pg.	Ref. No.
F17148	DECAL, STARBOARD	45	27	F1760	PAN HD SCREW, 10 - 24 X		
F17149	COTTER PIN	45	8		3/8	25	3
F1715	HEX BOLT, 1/4 - 28 X 9/16	45	7	F177330	FUEL PUMP VALVE	21	10
F1727	PLASTIC RIVET	25	20	F1778	PLAIN WASHER	13	9
F1729	PLUG	33	5	F178168-1	CARBURETOR ADAPTER		
F1730	PAN HD SCREW W/SPRING				GASKET	29	-
	LOCKWASHER, 1/4 - 20 X			F178168-1	GASKET, CARBURETOR		
	5/8	3	8		ADAPTER	21	35
F1733	PAN HD MACHINE SCREW,			F178254-1	BALANCE TUBE	21	34
	10 - 24 X 9/16	3	2	F178323	SEAL, MOTOR LEG	33	12
F1734	FILL HD MOUNTING SCREW			F178344	BUSHING, SHOCK		
	AND LOCKWASHER, 1/4 -				ABSORBER - UPPER END	51	62
	20 X 1/2	49	32	F178362	BEARING	49	42
F1734	FILL HD SCREW			F178404-1	DEFLECTOR PLATE	21	36
	W/LOCKWASHER, 1/4 - 20			F178446	CLAMP	49	10
	X 1/2	7	14	F178754-1	FUEL LINE	17	24
F1741	PAN HD SCREW, 8 X 3/4	7	35	F1788	STOP NUT	37	15
F1741	THREAD FORMING SCREW,			F17932	SEAL, FUEL LINE COUPLER	43	12
	8 X 3/4	49	9	F18160-2	CYLINDER DRAIN REED	25	36
F1747	HEX NUT, 8 - 32	29	96	F1822	HEX BOLT, 5/16 - 18 X 7/8	35	44
F17500	SPRING SET	49	4	F1822	HEX CAP SCREW, 5/16 - 18		
F17504	BRUSH SET	49	3		X 7/8, STAINLESS STEEL	51	59
F17505	RESERVOIR AND BRACKET			F1831	FLAT HD SCREW, 1/4 - 20 X		
	W/SEAL	49	14		5/8	23	43
F17508	THRUST WASHER	49	11	F1832	STOP NUT, 1/4 - 20	27	68
F17510	"O" RING	49	13	F184033-1	SWIVEL, TOP CARBURETOR	17	20
F17518	FILLER CAP	49	12	F184122-1	SEAL	29	-
F17522	"O" RING	49	27	F184122-1	SEAL, PARTING LINE	29	101
F17528	"O"RING	51	53	F184579	"O" RING SEAL	17	19
F17539	BALL	49	2	F1851	FILL HD SCREW		
F17543	HEAD ASSEMBLY,				W/LOCKWASHER, 10 - 24		
	COMMUTATOR END	49	1		X 1/2	7	39
F1755	ROUND HD SCREW			F1856	PLAIN WASHER	41	72
	W/LOCKWASHER, 6 - 32 X			F1857	HEX CAP SCREW, 5/16 - 18		
	1/4	21	38		X 5/8	3	23
F17555	ARMATURE	49	7	F1857	HEX CAP SCREW, 5/16 - 18		
F17556	FIELD AND FRAME				X 5/8	3	35
	ASSEMBLY	49	6	F1858	HEX CAP SCREW, 5/16 - 18		
F17557	GASKET	49	5		X 1	3	24
F17558	THRU-BOLT PACKAGE	51	60	F1858	HEX CAP SCREW, 5/16 - 18		
F17560	HEAD ASSEMBLY	51	54		X 1	39	39
F17561-1	"O"RING	51	51	F1860	RD HD SCREW, 6 - 32 X 1/4	21	9
F17562-1	PISTON ASSEMBLY	51	52	F1866	PLAIN WASHER	41	71
F17563	MOTOR AND RESERVOIR	49	26	F1867	HEX CAP SCREW, 3/8 - 16 X		
F17564	VALVE BODY PUMP	49	23		1	31	19
F17565	DRIVE GEAR	49	25	F1869	HEX CAP SCREW, 3/8 - 16 X		
F17566	IDLE GEAR	49	24		1 1/4	27	70
F17568	HYDRAULIC PUMP AND			F1871	HEX HD SCREW, 3/8 - 16 X		
	VALVE ASSEMBLY	51	61		3/4	35	49
F17577	ADAPTER FITTING			F1872	HEX CAP SCREW, 3/8 - 16 X		
	PACKAGE	49	48		1 3/4	25	12
F17577	ADAPTER FITTING			F1873	HEX CAP SCREW, 3/8 - 16 X		
	PACKAGE	49	49		3	27	50
F17577	ADAPTER FITTING			F1874	HEX HD SCREW, 3/8 - 16 X 3		
	PACKAGE	51	50		1/8	25	2
F1759	SHIM, DISTRIBUTOR (QTY.			F1877	TY-RAP	7	29
	AS REQUIRED)	13	11	F1877	TY-RAP (NOT SHOWN)	51	-
F1760	PAN HD SCREW, 10 - 24 X			F1885	HEX BOLTS, S.S., 5/16 - 18 X		
	3/8	7	19		4 1/4	27	64

# PARTS INDEX

Part Number	Description	Pg.	Ref. No.	Part Number	Description	Pg.	Ref. No.
F1892	STOP NUT	9	52	F2042	PLAIN WASHER	29	106
F1904	PLAIN WASHER	33	21	F2047	WAVE SPRING		
F1907	PLAIN WASHER	37	7		LOCKWASHER	3	30
F1910	STOP NUT, 1/4 - 20	21	25	F2066	PAN HD TAPPING SCREW,		
F19109	PLUG	27	60		10 X 7/16 (TRIM TO		
F19109	PLUG	37	30		COVER)	5	38
F1912	HEX HD SCREW, 10 - 24 X			F2067	PLASTISOL CAP (NOT		
	1/2	35	51		SHOWN)	31	-
F1916	HEX BOLT, 1/4 - 20 X 1 1/8	29	87	F2088	FASTENER	3	10
F1931	STOP NUT, 1/2 - 20,			F2089	SLOTTED PAN HD M.		
	STAINLESS STEEL	51	56		SCREW, 10 - 24 X 5/16	29	105
F1934	FLAT HD SLOTTED SCREW,			F2090	PLUG	27	74
	6 X 12	9	50	F2093	STOP NUT, 3/8 - 24	35	59
F1935	PLAIN WASHER	27	42	F2107	FILL HD SCREW, 10 - 24 X		
F1936	SPACER, BEVEL GEAR				5/8	7	9
	FRONT .059	37	27	F2108	LOCK NUT	35	54
F1937	SPACER, BEVEL GEAR			F2108	STOP NUT, 5/16 - 18	27	67
	FRONT .062	37	-	F2113	SPACER, BEVEL GEAR		
F1938	SPACER, BEVEL GEAR				FRONT .080	37	-
	FRONT .065	37	-	F2114	SPACER, BEVEL GEAR		
F1939	SPACER, BEVEL GEAR				FRONT .083	37	-
	FRONT .068	37	-	F2115	SPACER, BEVEL GEAR		
F1940	SPACER, BEVEL GEAR				FRONT .086	37	-
	FRONT .071	37	-	F2116	SPACER, BEVEL GEAR		
F1941	SPACER, BEVEL GEAR				FRONT .089	37	-
	FRONT .074	37	-	F2121	SPACER, BEVEL GEAR		
F1942	SPACER, BEVEL GEAR				FRONT .057	37	-
	FRONT .077	37	-	F2122	SPACER, BEVEL GEAR		
F195/_	REMOTE CONTROL CABLES	58	-		FRONT .054	37	-
F1950	HEX CAP SCREW, 10 - 24 X			F213274	GREASE FITTING	13	27
	5/8	29	91	F213274	GREASE FITTING	33	31
F1959	FERRY HD CAP SCREW,			F213342	SEAL, FUEL LINE COUPLER		
	1/4-20 X 1 3/4, STAINLESS				(LARGE)	43	4
	STEEL	49	30	F213735	SEAL, FUEL LINE COUPLER		
F1960	PLAIN WASHER	51	57		(SMALL)	43	5
F1963	ELASTIC STOP NUT, 5/8 - 18	49	41	F24278	SEAL, "O" RING PROPELLER		
F1966	PLUG, SWIVEL BRACKET	49	16		SHAFT SPOOL	37	10
F1968	FLYWHEEL NUT	31	21	F24278	SEAL, PROPELLER SHAFT		
F1975	SPRING LOCKWASHER	7	10		SPOOL	41	-
F1975	SPRING LOCKWASHER	13	26	F269319	THROTTLE CAM BEARING	21	26
F197787-3	FUEL LINE COUPLER	43	6	F284659-2	BEARING, CRANKSHAFT		
F1987	PLAIN WASHER	27	79		UPPER MAIN	31	22
F1987	PLAIN WASHER	35	55	F289446-1	CLAMP	7	12
F1990	HEX CAP SCREW	41	-	F298788	FERRULE	43	7
F1990	HEX CAP SCREW, 1/4 - 20 X			F2A476757	CYLINDER DRAIN REED		
	1 5/8	39	60		PLATE W/REEDS, STOPS		
F1994	HEX SOCKET HD CAP				AND SCREWS	25	35
	SCREW, 5/16-18 X 1	39	36	F2A498023	BEVEL GEAR FRONT		
F1997	STOP NUT, 8 - 32	17	10		W/BEARING	37	28
F2000	HEX CAP SCREW, 5/16 - 18			F2A498662	BEVEL GEAR REAR		
	X 3/4	9	47		W/BEARING CAGE		
F2000	HEX CAP SCREW, 5/16 - 18				SPACER AND BEARING	37	21
	X 3/4	29	99	F2A523239	SPOOL, PROPELLER SHAFT		
F2015	HEX NUT, 1/4 - 28	29	102		BEARING W/SEALS	37	11
F2016	FILL HD SCREW, 6 - 32 X 7/8	23	48	F307317	CLIP, TERMINAL BLOCK	7	17
F2030	HEX HD M. SCREW, 1/4 - 20			F316579	SEAL, CRANKCASE	31	11
	X 1 1/4	33	42	F316599	SEAL, STEERING TUBE	33	30
F203276	BOOT	13	30	F319908	GROUND WIRE, CANADA	9	57
F2033	GROOVE PIN	17	26	F321756	PACKING, COVER	3	31
F203673	TERMINAL CLIP	13	31	F321841-3	LEAD WIRE - USA	13	32

# PARTS INDEX

Part Number	Description	Pg.	Ref. No.	Part Number	Description	Pg.	Ref. No.
F322273	STUD, C.D. UNIT	9	48	F438129	SEAL, DRIVESHAFT SPLINE	39	70
F333316	THROTTLE ROLLER SHAFT	17	5	F438165	SCREW, FUEL PUMP BOWL	21	18
F335215	SPACER, PISTON PIN (2 PER PISTON)	31	3	F438169	BEARING	33	35
F335217-1	BEARING, PISTON PIN (26 PER SET)	31	5	F438271	RETAINER, CRANKSHAFT SPLINE SEAL	39	69
F335654-1	DEFLECTION STOP	3	21	F438346	SHOCK MOUNT LOWER	35	47
F338618-1	SEAL, GEAR SHIFT ROD	33	16	F438398	DECAL, WIRING - USA	29	86
F338618-1	SEAL, GEAR SHIFT ROD	39	53	F438500	FUEL SEDIMENT BOWL	21	17
F338618-1	SEAL, GEAR SHIFT ROD	41	-	F438617	FUEL SEDIMENT BOWL GASKET	21	15
F345475-1	COIL	9	44	F438653	FUEL SEDIMENT BOWL SCREEN	21	16
F345683	WIRE, REGULATOR-RECTIFIER GROUND	7	5	F438668	RETAINER, CABLE CLAMP	7	13
F351307	SEAL, DRIVESHAFT - WATER PUMP	39	63	F438744-1	WIRING HARNESS	7	4
F353480	STUD	33	23	F438747	FUEL PUMP DIAPHRAGM	21	8
F369610	BEARING	27	62	F438754	FUEL LINE	17	29
F369887	SHOULDER SCREW	27	61	F438760	FUEL PUMP GASKET	21	4
F369977-1	INTERLOCK ARM	27	63	F438801	FITTING	21	14
F372151-1	EXHAUST PORT PLATE	29	90	F438841-1	LEAD WIRE - CANADA	13	-
F372152-1	EXHAUST PORT COVER	29	88	F438905	COIL WIRE - CANADA	13	-
F372154-1	EXHAUST PLATE GASKET	29	-	F438930	RETAINER, SNOUT	39	38
F372154-1	GASKET, EXHAUST PORT PLATE	29	89	F438962	SHOCK MOUNT LOWER REAR	33	14
F372925	CHOKE ROD	17	27	F439736	SEAL, EXHAUST TUBE	35	58
F372958	CHOKE BRACKET	21	19	F441754-1	HOSE	21	3
F373778-1	RETAINER, ENGINE COVER	5	37	F445690	SET SCREW	45	31
F381896-4	BATTERY CABLE	7	30	F448446	CLAMP, TRIM SWITCH CABLE	47	41
F391926-1	PLUNGER	17	28	F448611-1	LEVER	45	30
F391983	RETAINING BAND	9	51	F448894	INDICATOR - PORT	45	-
F3A523158	REED PLATE W/REEDS, REED STOPS AND SCREWS	21	41	F449010	CYLINDER	49	38
F40209	CARBURETOR STUD	21	30	F449253-1	HYDRAULIC LINE, TRIM CYLINDER, LOWER	49	44
F40223	GASKET, TRANSFER PORT COVER	27	52	F449254	HYDRAULIC LINE, TRIM CYLINDER, UPPER	49	29
F40223	TRANSFER PORT COVER GASKET	29	-	F449278	PISTON SEAL	49	36
F40278	SEAL, CYLINDER	49	37	F449342	SEAL, PISTON SHAFT	49	34
F404097	FLYWHEEL	7	1	F449354	THRUST BRACKET	49	31
F404268	BY-PASS VALVE SPRING	29	94	F449543	KNOB	45	29
F404314	ELBOW, FUEL PUMP COVER	21	2	F449545-2	CYLINDER HOUSING	49	40
F404314	FITTING	27	47	F449632	SHAFT	49	43
F404470-1	REGULATOR-RECTIFIER	7	8	F449754-1	HYDRAULIC LINE, LIFT CYLINDER, LOWER	49	46
F404513	COIL CLAMP	7	40	F449758	HYDRAULIC LINE, LIFT CYLINDER, UPPER	49	45
F404801	ELBOW, CYLINDER DRAIN UPPER (NOT SHOWN)	27	-	F449889	SHAFT, UPPER	51	58
F404841	CABLE, HEAT INDICATOR	7	37	F449894	INDICATOR - STARBOARD	45	32
F405457	PIVOT SCREW	25	7	F455449	SWITCH, TRIM	45	39
F406406	DEFLECTOR PLATE GASKET	29	-	F460917	STARTER RELAY	7	26
F406406	GASKET DEFLECTOR PLATE	21	37	F474073-1	CLAMP SCREW	33	25
F406471-1	CYLINDER DRAIN COVER	27	41	F474387	TIMING DECAL - USA	9	56
F406754-1	HOSE	27	46	F476066-1	THERMOSTAT COVER	29	85
F40689-1	BEARING	27	72	F476067	GASKET	27	81
F407446	CLAMP	7	31	F476067	THERMOSTAT COVER GASKET	29	-
F409251-1	GAUGE CAP	43	1	F476529	CYLINDER HEAD GASKET	27	75
F433209-1	THROTTLE CAM STUD	21	32	F476529-1	CYLINDER HEAD GASKET	29	-
F438066	BY-PASS VALVE COVER	29	92	F480038-2	SUPPORT PLATE	3	15
				F480107-1	CAM STARTER INTERLOCK	29	104

# PARTS INDEX

Part Number	Description	Pg.	Ref. No.	Part Number	Description	Pg.	Ref. No.
F480818	BEARING	3	13	F523834	CLIP, SPARK PLUG WIRE	25	28
F481382-1	SPACER, LATCH SHAFT	3	29	F523881-1	STEERING LINK	35	60
F481434	GUIDE, ENGINE COVER	3	11	F523899	GROMMET, WATER LINE	37	4
F481774	BRACKET, COVER LATCH	3	32	F523930	RETAINER	35	61
F481777	CAM, LATCH	3	28	F523961	CRUSH RING	39	49
F485755-1	FUEL TANK ADAPTER	43	3	F523962	SHOCK MOUNT - C.D. UNIT	9	46
F489551	BRACKET NEUTRAL INTERLOCK SWITCH	23	45	F528068	THERMOSTAT	29	82
F498618	SEAL	39	30	F528995	COVER, CYLINDER HEAD	29	108
F498618	SEAL, GEARSHIFT ARM PIN	41	-	F530160	REED (5 PETAL)	21	40
F498891	PIN, GEAR SHIFT ARM	39	32	F531892	DECAL, PORT	45	-
F498891	PIN, PROPELLER NUT RETAINING	37	14	F532299	WASHER	37	16
F500061-1	CARBURETOR COMPLETE (WB24B)	19	47	F545189	BUSHING, CABLE ENTRY	3	17
F500843	CABLE	49	8	F548984	BLANKET, SILENCER TOP (NOT SHOWN)	5	-
F50109	PLUG, GEAR HOUSING	39	43	F549189	BUSHING, ELECTRIC CABLE	3	16
F50342-1	SEAL, "O" RING	37	8	F552985	BLANKET, SILENCER SIDE (NOT SHOWN)	5	-
F50342-1	SEAL, BEARING CAGE BOLT	41	-	F563	TERMINAL BLOCK KIT	60	-
F506118	SEAL, DRIVESHAFT	39	51	F58685-2	CONNECTOR, SHIFT CABLE	45	2
F506118	SEAL, PROPELLER SHAFT	37	9	F590	REMOTE CONTROL HEAD (SINGLE LEVER)	58	-
F506118	SEAL, PROPELLER SHAFT	41	-	F5H002	SPEEDOMETER - FLUSH MOUNT	59	-
F510374	DECAL, CIRCUIT BREAKER U.S.A.	7	41	F5H003	SPEEDOMETER FLUSH MOUNT	60	-
F510460	CIRCUIT BREAKER	7	22	F5H004	SPEEDOMETER FLUSH MOUNT	59	-
F511125-2	TUBE, STEERING SUPPORT	33	29	F5H005	TEMPERATURE GAUGE - FLUSH MOUNT	59	-
F511675	STARTER BRACKET, LOWER	11	13	F5H006	VOLTMETER - FLUSH MOUNT	59	-
F523031	GASKET, WATER PUMP	39	56	F5H007	HOURMETER - FLUSH MOUNT	59	-
F523031	GASKET, WATER PUMP	41	-	F5H008	FUEL GAUGE FLUSH MOUNT	59	-
F523057	BEARING, DRIVESHAFT LOWER	39	65	F5H010	POWER TRIM INDICATOR	58	-
F523065-1	IMPELLER	41	-	F5H012	TACHOMETER FLUSH MOUNT	59	-
F523065-1	IMPELLER, WATER PUMP	39	58	F5H014	FLUSHING ADAPTER	58	-
F523094-2	PROPELLER NUT	37	13	F5H018	DUAL ENGINE TIE BAR	58	-
F523099-1	SPACER, PROPELLER	37	18	F5H019	ANTI-CORROSION KIT	58	-
F523116	EXHAUST SNOOT	39	37	F5H021	EXTENSION CABLE	59	-
F523133-2	MOTOR LEG	33	15	F5H025	ANTI-CORROSION SACRIFICIAL ANODE	58	-
F523146	SEAL, CRANKSHAFT LOWER	31	13	F5H026	FUEL TANK (ACCESSORY ITEM)	43	2
F523188	NUT, BEVEL PINION	39	34	F5H026	STEEL, 6 GALLON FUEL TANK (LOW PROFILE)	58	-
F523244	INLET WATER LINE	37	5	F5H028	SENDING UNIT	59	-
F523273	STEERING BALL STUD	35	62	F5H029	TANK ANCHOR	58	-
F523274	GREASE FITTING	33	28	F5H030	SWITCH KIT - RUNNING LIGHTS	60	-
F523280	NUT, STEERING SUPPORT TUBE	33	36	F5H031	SWITCH KIT - SPOT LIGHT	60	-
F523300-1	SPRING	35	66	F5H032	SWITCH KIT - WIPER	60	-
F523411	RETAINING RING, BEARING CAGE	37	22	F5H034	SWITCH KIT - BILGE PUMP	60	-
F523451	SPACER, REED STOP	23	51	F5H035	SWITCH KIT - HORN	60	-
F523498	DRIVE KEY, WATER PUMP	39	67	F5H036	SWITCH KIT - TACHOMETER TRANSFER	60	-
F523498	KEY	41	-	F5H037	CIGAR LIGHTER	59	-
F523555	SEAL, "O" RING, GEAR HOUSING COVER	39	48				
F523555	SEAL, GEAR HOUSING COVER	41	-				
F523562	PLATE, WATER PUMP	39	57				
F523562	PLATE, WATER PUMP	41	-				
F523705	GEAR SHIFT ROD LOWER	39	45				
F523813	BEARING CUP	37	29				

# PARTS INDEX

Part Number	Description	Pg.	Ref. No.	Part Number	Description	Pg.	Ref. No.
F5H038	SWITCH KIT - IGNITION SWITCH	60	-	F8058	INTERNAL TOOTH LOCKWASHER	21	24
F5H039	SWITCH KIT - INSTRUMENT LIGHTS	60	-	F8058	INTERNAL TOOTH LOCKWASHER	27	57
F5H040	STEEL, 12 GALLON FUEL TANK	58	-	F8077	WASHER	41	-
F5H041	BATTERY TERMINAL KIT	59	-	F8077	WASHER, GEAR HOUSING PLUG	39	42
F5H041	BATTERY TERMINAL KIT (ACCESSORY ITEM)	7	32	F8080	SPRING LOCKWASHER	35	64
F5H043	OVERHEAT BUZZER	58	-	F8083	SPRING LOCKWASHER	3	26
F5H043	OVERHEAT BUZZER (ACCESSORY ITEM)	7	36	F8083	SPRING LOCKWASHER	9	43
F5H069	RFI SUPPRESSION KIT	59	-	F8083	SPRING LOCKWASHER	33	3
F5H070	REMOTE ELECTRIC CABLE	59	-	F8083	SPRING LOCKWASHER	39	54
F5H075	WIRING HARNESS - IGNITION SWITCH 24"	60	-	F8083	SPRING LOCKWASHER	41	-
F5H076	SWITCH EXTENSION CABLE	59	-	F8088	PLAIN WASHER	17	18
F5H076	SWITCH EXTENSION CABLE	59	-	F8088	PLAIN WASHER	23	47
F5H077	IGNITION KEY SWITCH	59	-	F8094	PLAIN WASHER	3	27
F5H078	IGNITION KEY SWITCH	59	-	F8095	PLAIN WASHER	29	109
F5H078	IGNITION SWITCH (LONG BARREL) W/KEYS AND SCREWS	7	34	F8096	SPRING LOCKWASHER	3	22
F5H079	REMOTE CONTROL BOX	58	-	F8096	SPRING LOCKWASHER	3	34
F5H080	TWIN REMOTE CONTROL BOX	58	-	F8096	SPRING LOCKWASHER	7	25
F5H081	BATTERY CABLE	58	-	F8096	SPRING LOCKWASHER	29	100
F5H094	STEERING LINK	58	-	F8096	SPRING LOCKWASHER	29	100
F5H108	STEERING CONNECTOR	58	-	F8096	SPRING LOCKWASHER	35	45
F5H112	INSTRUMENT ADAPTER - 3-1/2"	59	-	F8096	SPRING LOCKWASHER	35	45
F5H119	PROPELLER SPACER - FLARED	59	-	F8096	SPRING LOCKWASHER	39	40
F5H120	REMOTE CONTROL BACK PLATE	58	-	F8104	PLAIN WASHER	27	49
F5H128	POWER TRIM	59	-	F84011	WASHER	33	40
F5H130	REMOTE CONTROL BOX (SINGLE LEVER) (SURFACE MOUNT)	58	-	F84074	CLAMP SCREW FOOT	33	24
F5H131	PORT SIDE DECAL KIT	58	-	F84146-2	SEAL	31	20
F5H134	BOAT WHITE LACQUER	58	-	F84278	SEAL	31	23
F7004	STOP NUT, 3/8 - 16	25	17	F84286-1	FRICITION WASHER	33	32
F7008	ELASTIC STOP NUT	25	10	F84305	SEAL, "O" RING PROPELLER SHAFT SPOOL	37	12
F7012	STOP NUT	33	19	F84305	SEAL, PROPELLER SHAFT SPOOL	41	-
F7013	STOP NUT	13	2	F84307-1	SEAL, DRIVESHAFT	41	-
F74305	SEAL, DRIVESHAFT BEARING CAGE	39	50	F84314-2	ELBOW	17	22
F74305	SEAL, GEAR HOUSING COVER	41	-	F84314-2	ELBOW	21	6
F762	REMOTE ELECTRIC CABLE	59	-	F84314-2	ELBOW	27	45
F8003	PLAIN WASHER	25	38	F84342	SEAL, INLET WATER LINE, UPPER	37	3
F8011	PLAIN WASHER	7	20	F84449	INTERLOCK SWITCH	23	46
F8028	PLAIN WASHER	11	12	F84472-5	CYLINDER DRAIN COVER GASKET	29	-
F8038	PLAIN WASHER	29	110	F84472-5	GASKET, CYLINDER DRAIN COVER	25	40
F8038	PLAIN WASHER	35	65	F84504	GROMMET (THERMOSTAT)	29	83
F8039	PLAIN WASHER	35	57	F84521-1	CLUTCH	37	26
F8056	LOCKWASHER	13	18	F84748-3	CYLINDER DRAIN REED PLATE GASKET	29	-
F8056	LOCKWASHER	15	43	F84748-3	GASKET	25	33
F8056	LOCKWASHER	29	97	F84792	GASKET, CENTER FUEL PUMP VALVE	21	11
F8056	SPRING LOCKWASHER	7	7	F84871-1	PIN, GEAR SHIFT W/YOKE	37	24
				F85017	PISTON PIN	31	4
				F85026	SWIVEL	25	30
				F85033	SWIVEL, CHOKE ROD (BOTTOM CARBURETOR) (NOT SHOWN)	19	-
				F85035	DISTRIBUTOR, CONTROL ROD END	25	29

# PARTS INDEX

Part Number	Description	Pg.	Ref. No.	Part Number	Description	Pg.	Ref. No.
F85037-1	STERN BRACKET PIVOT BOLT	33	38	F9097	SHIM, DRIVESHAFT BEARING, UPPER .010 BLACK	39	-
F85095-2	STATOR	7	3	F9106	SHIM, DRIVESHAFT BEARING, UPPER .003 BRASS	39	66
F85117	BRACKET, WATER LINE	37	2	F91446-1	CIRCUIT BREAKER BRACKET	7	21
F85130	BOOT IDLE EXHAUST	33	8	F92759	THROTTLE ROLLER	17	6
F85161-1	REED STOP	21	39	F93811	SCREEN	25	34
F85173	RETAINING RING	13	6	F93920	REED STOP	25	37
F85192-1	THROTTLE CAM	21	28	F97772	CLAMP	17	23
F85211	STUD	25	18	F97772	FUEL LINE CLAMP	43	11
F85258	INSERT	33	9	F98273	ROD END CONNECTOR STUD	27	58
F85279-2	CYLINDER EXHAUST UPPER GASKET	29	-	FA14048-2	PREAMPLIFIER	13	17
F85279-2	GASKET, CYLINDER EXHAUST UPPER	27	69	FA15072	HEX LOCK NUT, 1/4 - 20	11	8
F85311	DISTRIBUTOR BELT	13	1	FA17559	LIFT CYLINDER COMPLETE	49	47
F85314-1	FUEL FITTING	17	30	FA178157	CARBURETOR ADAPTER, UPPER W/FITTING AND STUDS (NOT SHOWN)	21	-
F85317-1	SOLENOID CLAMP	21	21	FA178167	CARBURETOR ADAPTER, LOWER W/FITTING AND STUDS	21	33
F85372	PIN, GEAR SHIFT ROD LOWER	39	47	FA178233	THROTTLE TIE BAR W/SWIVEL	19	53
F8538	SPRING PIN	33	26	FA178962	SHOCK ABSORBER W/BUSHING	51	55
F85380	SPRING	33	10	FA321574	DISTRIBUTOR BRACKET	13	10
F85410	SNAP RING	31	8	FA335260	PISTON RING SET (3 PER SET)	31	1
F85445	CONTROL ROD	25	31	FA368700	KEY, IGNITION - NO LETTER OR STAMPED A	9	53
F85498	FLYWHEEL KEY	31	16	FA411222	TRANSFER PORT COVER	27	51
F85502	THROTTLE LINK	25	26	FA438431	FUEL PUMP BODY W/VALVES	21	12
F85509-1	LINK, CHOKE	17	25	FA439493	TERMINAL BLOCK BRACKET	7	11
F85571	BEARING CAGE W/ROLLER	31	10	FA439746	FUEL PUMP COVER	21	1
F85606	KINGPIN CAP	33	41	FA449015	PISTON COVER W/SEALS AND RETAINER	49	33
F85610	BEARING	27	65	FA449149	COVER W/SEALS AND RETAINER	49	33
F85615	GEAR SHIFT ROD UPPER	35	53	FA480179	TRIM TOP	3	1
F8563	DOWEL PIN	25	15	FA480269	TILT HANDLE	3	3
F85634-2	CONNECTING ROD SCREW	31	14	FA480876	GEAR SHIFT ARM W/SWIVL, BEARNGS, INTRLOCK ARM & SHOULDR SCRW	27	66
F85660-1	EXHAUST TUBE	33	2	FA480894	TIMING POINTER W/DECAL	25	4
F85664	DISTRIBUTOR GROUND	13	28	FA481469	HANDLE W/SHAFT	3	12
F85664	GROUND WIRE	9	54	FA481743	ROLLER BRACKET	3	33
F85704	COUPLER, GEAR SHIFT ROD	35	46	FA498266	BEVEL PINION GEAR W/CRUSH RING AND SHIMS	39	35
F85762	BY-PASS COVER GASKET	29	-	FA510497	TERMINAL BLOCK	7	15
F85762	BY-PASS VALVE COVER GASKET	29	93	FA523014	CRANKSHAFT LOWER MAIN BEARING	31	12
F85772	CLAMP	33	11	FA523098	PROPELLER SHAFT	37	23
F85779-1	BAFFLE, AIR INTAKE	35	50	FA523485	ANTICORROSION ANODE	37	20
F85843-1	REMOTE ELECTRIC CABLE, 18 FEET	7	38	FA523706	GEAR HOUSING COVER W/SEALS	39	52
F85859	STUD	25	14				
F85906	CARBURETOR GASKET	21	31				
F85906	CARBURETOR GASKET	29	-				
F85908	STARTER LEAD WIRE	11	9				
F85916-1	BY-PASS VALVE	29	95				
F85924	CHOKE SOLENOID	7	28				
F85965	SHOCK MOUNT UPPER	35	52				
F89758	FUEL PUMP AIR HOSE - TOP	21	7				
F9018	CAP	33	37				
F9052	PLUG	33	27				
F90619-1	YOKE	41	73				
F90807	RETAINING RING	17	1				
F9095	SHIM, DRIVESHAFT BEARING UPPER .005 SILVER	39	-				

# PARTS INDEX

Part Number	Description	Pg.	Ref. No.	Part Number	Description	Pg.	Ref. No.
FA535395	IDENTIFICATION PLATE W/SCREWS FOR U.S.A. MODELS .....	3	18	FO10790	INLET NEEDLE, SEAT AND GASKET .....	17	38
FA552010	CYLINDER W/CRANKCASE COVR, PARTNG LINE SEAL, SCRWS & DOWL PNS .....	25	1	FO11103	IDLE MIXTURE SCREW SPRING .....	19	46
FA552180	TRIM REAR .....	3	6	FO13191	MAIN FUEL JET. OPT. .076 3000 FT. - 4500 FT. ....	19	-
FA552888	TRIM FRONT .....	5	39	FO13194	MAIN FUEL JET. STD. .080 SEA LEVEL - 1500 FT. ....	19	48
FA552944	ENGINE COVER W/RETAINER, SCREWS AND NUTS .....	3	7	FO13552	FUEL BOWL .....	17	33
FA588386	DECAL, NUMERAL 100 ....	3	5	FO13554	FLOAT .....	17	37
FA588396	DECAL, ENGINE COVER STBD. ....	3	-	FO13555	CHOKE SHUTTER .....	17	44
FA588397	DECAL, ENGINE COVER PORT .....	3	4	FO13942	THROTTLE SHUTTER .....	17	11
FA58976-1	CONNECTOR, THROTTLE CABLE .....	45	1	FO13944	FLOAT LEVER PIN .....	17	36
FA84621-1	COUPLING, GEAR SHIFT ARM W/BUSHING .....	39	44	FO13945	FUEL BOWL RETAINING SCREW .....	17	31
FA84754-1	FUEL LINE SHORT W/FERRULES .....	43	8	FO13946	IDLE MIXTURE SCREW ....	19	45
FA85019	KINGPIN W/PLUG .....	33	34	FO13947	CHOKE SHAFT RETURN SPRING .....	17	41
FA85193	TIE BAR END W/SWIVEL ...	17	2	FO14303	MAIN FUEL JET. OPT. .074 4500 FT. - 6000 FT. ....	19	-
FA85355-1	WASHER .....	35	56	FO14306	MAIN FUEL JET. OPT. .0785 1500 FT. - 3000 FT. ....	19	-
FA85655-1	CRANKSHAFT MAIN BEARING RACE W/SNAP RING .....	31	9	FO15026	MAIN FUEL JET. OPT. .072 6000 FT. & UP. ....	19	-
FAC535395	IDENTIFICATION PLATE W/SCREWS FOR CANADA MODELS .....	3	-	FO15217	MAIN NOZZLE .....	17	35
FB368700	KEY, IGNITION - STAMPED B	9	-	FO15231	THROTTLE SHAFT AND LEVER .....	17	7
FC368700	KEY, IGNITION - STAMPED D .....	9	-	FO15623	FUEL BOWL GASKET .....	17	42
FC409398	DECAL, TOTE TANK - CANADA (NOT SHOWN) .	43	-	FO16008	THROTTLE SHAFT RETURN SPRING .....	17	8
FC438398	DECAL WIRING - CANADA .	29	-	FO17181	IDLE TUBE .....	19	52
FC474387	TIMING DECAL - CANADA ..	9	-	FO17241	CHOKE SHAFT AND LEVER	17	40
FC500390	DECAL, STARTER - CANADA (NOT SHOWN) .....	11	-	FO1974	SCREW .....	19	51
FC510374	DECAL, CIRCUIT BREAKER - CANADA .....	7	-	FO2510	FUEL BOWL RETAINING SCREW GASKET .....	17	32
FC550054	GEAR HOUSING .....	39	33	FO3804	RETAINING SCREW WASHER .....	17	14
FC552010	SHORT BLOCK .....	25	-	FO4326	BODY CHANNEL WELCH PLUG .....	17	13
FD368700	KEY, IGNITION - STAMPED D .....	9	-	FO6393	RETAINING SCREW .....	17	16
FE368700	KEY, IGNITION - STAMPED E	9	-	FO6396	RETAINING SCREW LOCKWASHER .....	17	15
FG1019	GASKET SET .....	29	111	FO8942	CHOKE SHUTTER RETAINING SCREW AND LOCKWASHER .....	17	43
FK1063	SEAL KIT .....	41	74	FO8942	THROTTLE SHUTTER RETAINING SCREW AND LOCKWASHER .....	17	12
FK1069	WATER PUMP KIT .....	41	75	FO9678	CLIP, CHOKE SHAFT .....	19	49
FK405020	SWIVEL W/CLAMP, SHOULDER SCREW AND NUT .....	25	24	FO992	LOCKWASHER .....	19	50
FK550128	DRIVESHAFT W/BEARING, SHIMS AND CRUSH RING	39	68	FPS526	PROPELLER (ACCESSORY ITEM) .....	37	17
FK750-3	SPARKIE .....	15	44	FS409752	FUEL LINE COMPLETE ....	43	-
FK85228-1	BEARING CAGE W/ROLLER	31	7	FS490955	STARTER COMPLETE .....	11	-
FO10165	INLET SEAT GASKET .....	17	39	FSA335260	PISTON RING (3 PER SET) .010 OVERSIZE (NOT SHOWN) .....	31	-
FO10588	BODY CHANNEL CUP PLUG	17	9	FT1082	SNAP RING PLIER .....	53	-
				FT11204	BEARING CUP INSTALLER .	54	-

# PARTS INDEX

Part Number	Description	Pg.	Ref. No.	Part Number	Description	Pg.	Ref. No.
FT11207	BEARING CUP REMOVER ..	54	-	33-97180	SPARK PLUG (CHAMPION L20V) - USA .....	27	77
FT11209	BEARING GUIDE SET .....	54	-				
FT2951	CIRCUIT TRACER .....	52	-	39-818110A1	PISTON RING (3 PER SET) .030 OVERSIZE (NOT SHOWN) .....	31	-
FT2953	SOCKET .....	53	-				
FT2961	LUBRICANT - RYKON #2EP	56	-	46-817853A1	WATER PUMP .....	41	-
FT2962-1	SEALANT - 50 CC LOCTITE H, NON-HARDENING GRADE .....	56	-	46-817853A1	WATER PUMP BODY W/DRIVESHAFT SEAL, DISC AND WATERLINE SEAL .....	39	59
FT2963-1	SEALANT - 2 OZ. LOCTITE D, HARDENING GRADE ..	56	-	84-817775A1	COIL WIRE W/TERMINAL CLIP - USA .....	13	29
FT2987-1	LUBRICANT - ANTI-SEIZE ..	56	-	87-817778A1	THERMOSWITCH .....	29	98
FT2990	PISTON PIN TOOL .....	53	-	300-817855A1	UNIT W/DECAL .....	9	45
FT2996	RING COMPRESSOR .....	53	-	400-817735A4	CRANKSHAFT W/BEARING ..	31	15
FT3012	SEAL INSTALLER .....	54	-	600-818052A4	CONNECTING ROD W/CAP AND SCREWS .....	31	6
FT7848	TORQUING ADAPTER .....	53	-	700-817988A2	PISTON .010 OVERSIZE (NOT SHOWN) .....	31	-
FT8901	INDICATOR HOLDER .....	54	-	700-818111A2	PISTON .030 OVERSIZE (NOT SHOWN) .....	31	-
FT8902	DIAL INDICATOR .....	54	-	700-F372015-3	PISTON .....	31	2
FT8903	SEAL INSTALLER .....	53	-	900-817832A2	CYLINDER HEAD .....	27	80
FT8907	DRIVE HANDLE .....	53	-	1400-817958A6	STERN BRACKET .....	33	18
FT8907	DRIVER HANDLE .....	54	-				
FT8914	SEAL REMOVER .....	53	-				
FT8918	BEARING GUIDE SET .....	54	-				
FT8919	SPRING PIN PUNCH .....	54	-				
FT8925	SEAL INSTALLER .....	53	-				
FT8925	SEAL INSTALLER .....	54	-				
FT8926	RING EXPANDER .....	53	-				
FT8927	SEAL PROTECTOR .....	53	-				
FT8933	LIFTING HOOK .....	53	-				
FT8935	SEALANT PRIMER - 6 OZ. ..	56	-				
FT8936	SEALANT - 2 CC LOCTITE RETAINING COMPOUND #75 .....	56	-				
FT8948-1	PULLER .....	52	-				
FT8948-1	PULLER .....	54	-				
FT8950	LEAKAGE TESTER .....	55	-				
FT8953	IGNITION TESTER .....	55	-				
FT8955	SEALANT - 5 OZ. EC-750 INDUSTRIAL SEALANT ..	56	-				
FT8957	SEAL INSTALLER .....	54	-				
FT8969	LUBRICANT - 7 OZ. 2 PSI LUBRICANT .....	56	-				
FT8978	POWER TIMING LIGHT ....	52	-				
FT8985	SEAL INSTALLER .....	54	-				
FT8993	SEALANT - 3 OZ. RTV SEALANT FROM IN PLACE GASKETS .....	56	-				
FT8997	SHIMMING POOL .....	54	-				
FTA2937-1	TIMING TOOL .....	52	-				
FTK8999	TEST WHEEL .....	55	-				
OB3061	LITERATURE (NOT SHOWN)	47	-				
T11211	BOAT WHITE .....	57	-				
T11212	BOAT BLACK .....	57	-				
T11230	ORANGE .....	57	-				
T11232	METALLIC SILVER .....	57	-				
T11233	MEDIUM METALLIC SILVER	57	-				
22-818103--1	ELBOW, CYLINDER DRAIN LOWER .....	27	44				
31-817785A2	CRANKSHAFT BEARING CAGE W/SEAL .....	31	18				