



PARTS CATALOG

115 H.P.

SERIAL NUMBER

115 (1979)	T1150B9A
115 (1979)	T1150H9A

TABLE OF CONTENTS:

ACCESSORIES	50
CARBURETOR	16
CRANKSHAFT AND PISTON GROUP	26
DISTRIBUTOR	12
ELECTRICAL COMPONENTS	6
ENGINE COVER AND SUPPORT PLATE	2
FUEL PUMP AND REED PLATE	20
FUEL TANK AND LINE	34
MOTOR LEG	28
PARTS INDEX	53
POWER TRIM UNIT	40
REMOTE CONTROL	36
SPECIAL TOOLS - DECAL REPAIR SHEET	49
SPECIAL TOOLS - GEAR HOUSING	46
SPECIAL TOOLS - LUBRICANTS AND SEALANTS	48
SPECIAL TOOLS - POWER HEAD	45
SPECIAL TOOLS - TEST EQUIPMENT	47
SPECIAL TOOLS - TUNE-UP	44
STARTER	10

NOTE: Indented description indicate that these parts are included in preceeding assembly.

AR = As Required

NSS = Not Sold Separate

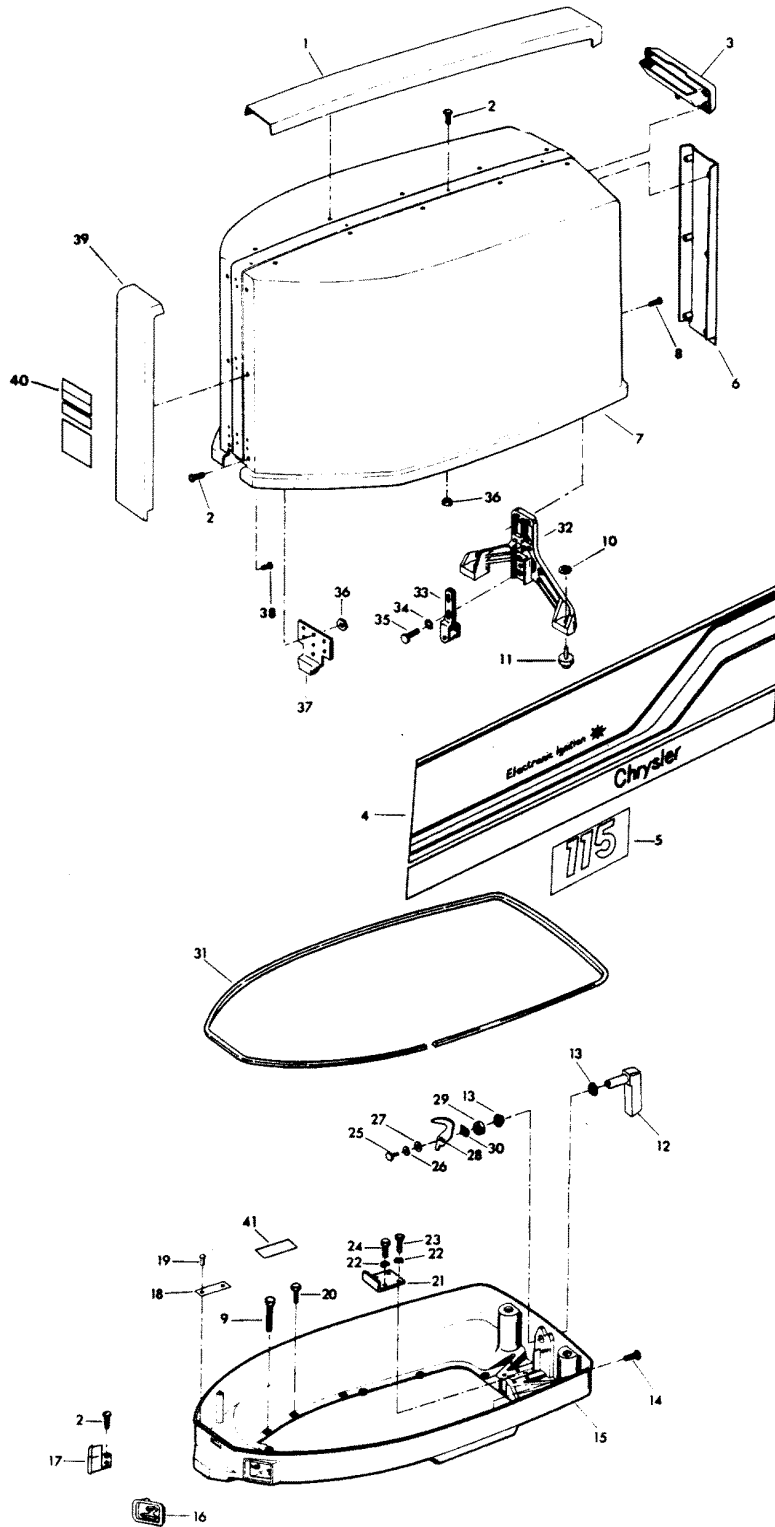
OPT = Optional

NS = Not Shown

THESE PARTS BOOKS/FICHE CARD ARE COPYRIGHTED AND MAY NOT BE DISTRIBUTED OR REPRODUCED IN ANY OTHER FORMAT BY ANYONE OTHER THAN MERCURY MARINE WITHOUT THE PRIOR WRITTEN CONSENT OF MERCURY MARINE.

THIS PAGE INTENTIONALLY LEFT BLANK

ENGINE COVER AND SUPPORT PLATE

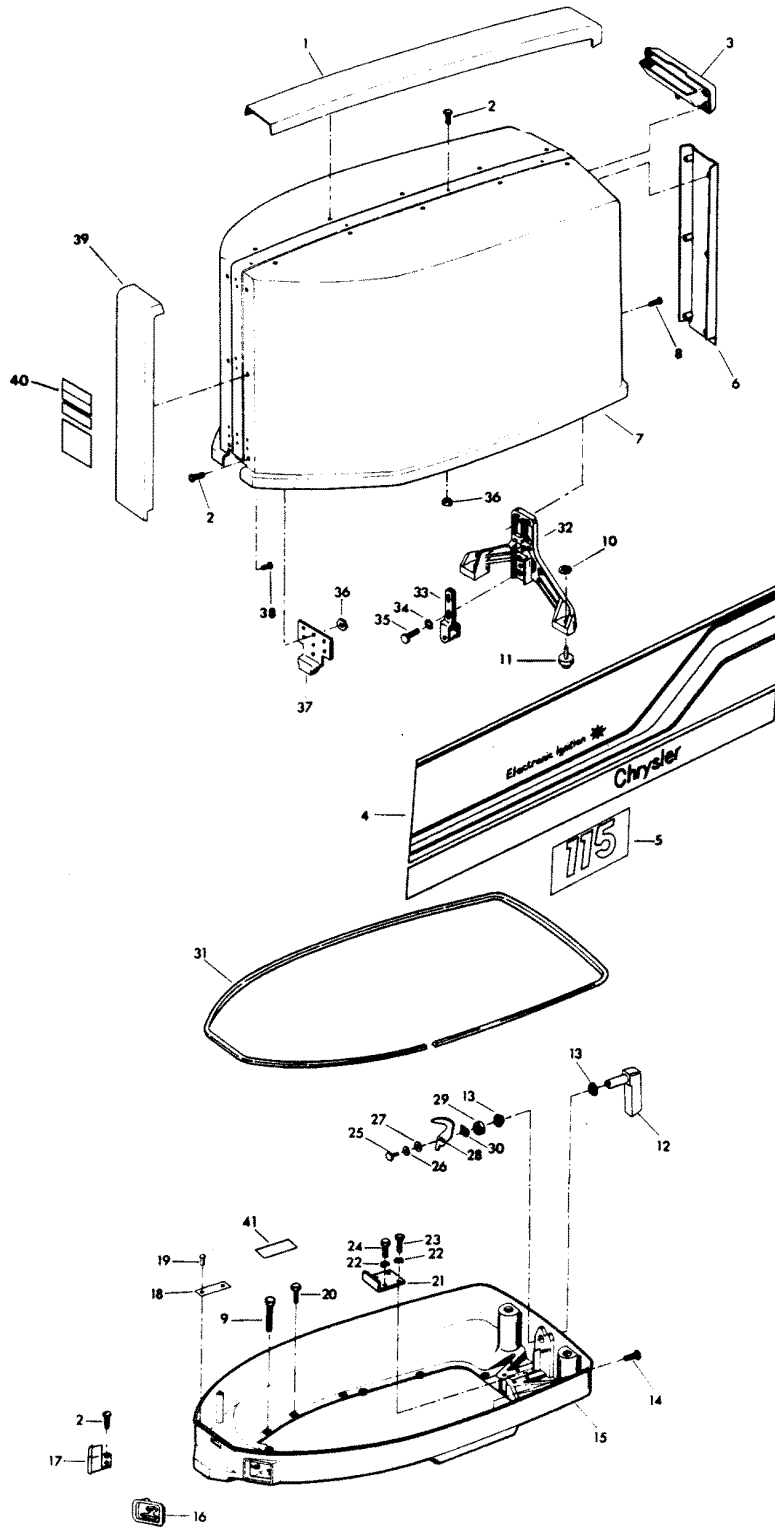


ENGINE COVER AND SUPPORT PLATE

REF. NO.	PART NO.	SYM.	QTY.	DESCRIPTION
1	FS548179		1	TRIM TOP
2	F1733		10	PAN HD MACHINE SCREW, 10 - 24 X 9/16
3	FS548269		1	TILT HANDLE
4	A552397		1	DECAL, ENGINE COVER PORT
-	A552396		1	DECAL, ENGINE COVER STBD.
5	FA553386		2	DECAL, NUMERAL
6	FS552180		1	TRIM REAR
7	FA552944		1	ENGINE COVER W/RETAINER, SCREWS AND NUTS
-	3C553944		1	ENGINE COVER COMPLETE INCLUDES ALL ITEMS MARKED WITH AN ASTERISK (*).
8	F1730		3	PAN HD SCREW W/SPRING LOCKWASHER, 1/4 - 20 X 5/8
9	F1849		2	HEX HD CAP SCREW, 1/4 - 20 X 1-3/8
10	F2088		2	FASTENER
11	F481434		2	GUIDE, ENGINE COVER
12	FA481469		1	HANDLE W/SHAFT
13	F480818		2	BEARING
14	F1238		6	HEX CAP SCREW, 1/4 - 20 X 3/4
15	F480038-2		1	SUPPORT PLATE
16	F549189		1	BUSHING, ELECTRIC CABLE
17	F545189		1	BUSHING, CABLE ENTRY
18	FA535395		1	IDENTIFICATION PLATE W/SCREWS FOR U.S.A. MODELS
-	FAC535395		1	IDENTIFICATION PLATE W/SCREWS FOR CANADA MODELS.
19	F1447		2	ROUND HD SCREW, 2 X 3/16
20	F1502		5	SCREW, 1/4 - 20 X 5/8
21	F335654-1		1	DEFLECTION STOP
22	F8096		4	SPRING LOCKWASHER
23	F1857		2	HEX CAP SCREW, 5/16 - 18 X 5/8
24	F1858		2	HEX CAP SCREW, 5/16 - 18 X 1
25	F1854		1	HEX CAP SCREW, 1/4 - 20 X 5/8
26	F8083		1	SPRING LOCKWASHER
27	F8094		1	PLAIN WASHER
28	F481777		1	CAM, LATCH
29	F481382-1		1	SPACER, LATCH SHAFT
30	F2047		1	WAVE SPRING LOCKWASHER
31	F321756		1	PACKING, COVER
32	F481774		1	BRACKET, COVER LATCH
33	FA481743		1	ROLLER BRACKET
34	F8096		2	SPRING LOCKWASHER
35	F1857		2	HEX CAP SCREW, 5/16 - 18 X 5/8
36	F1473		7	HEX NUT
37	F333480-1		1	RETAINER, ENGINE COVER

CONTINUED ON NEXT PAGE ➡

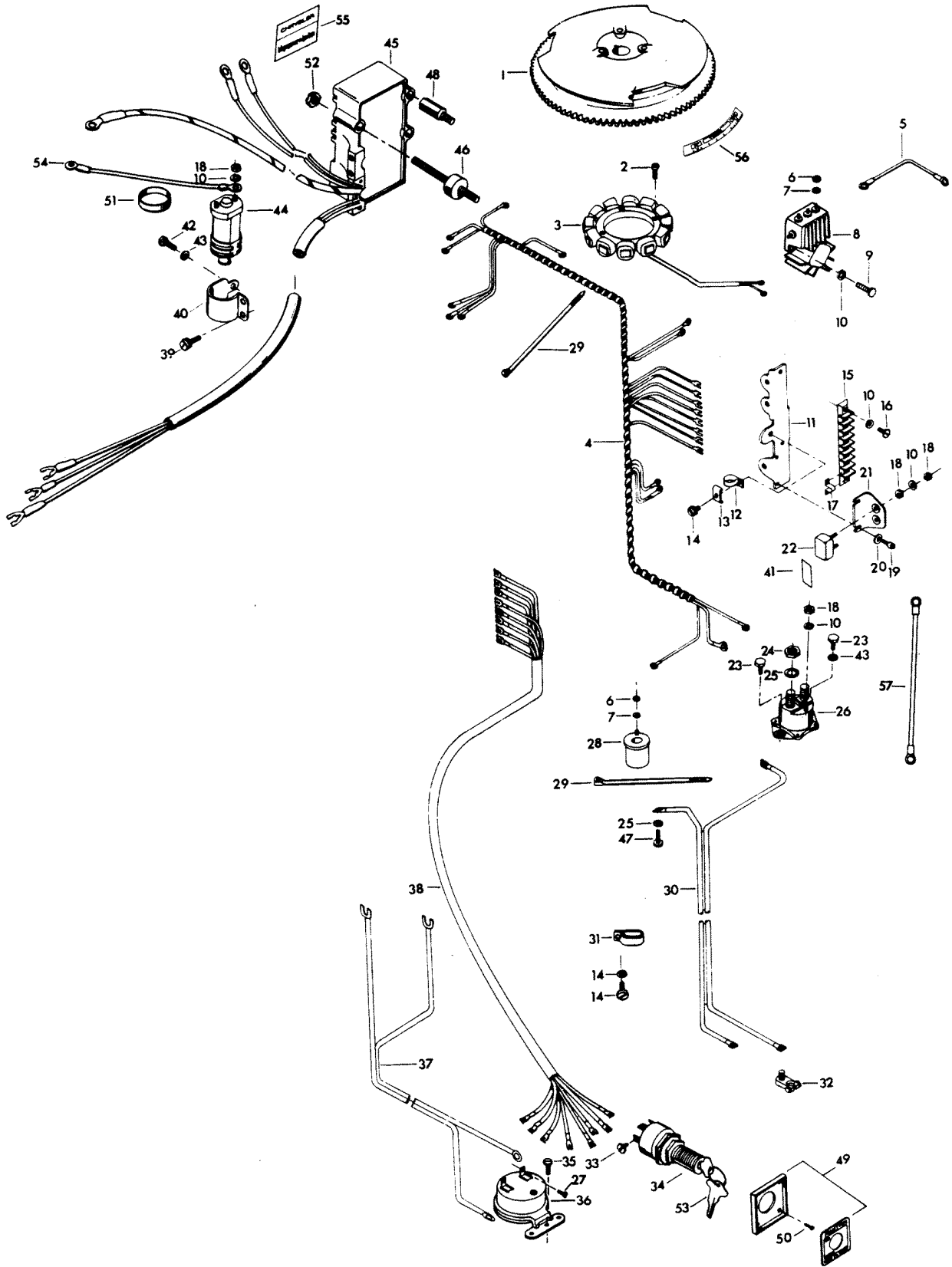
ENGINE COVER AND SUPPORT PLATE



ENGINE COVER AND SUPPORT PLATE

REF. NO.	PART NO.	SYM.	QTY.	DESCRIPTION
38	F2066		30	PAN HD TAPPING SCREW, 10 X 7/16 (TRIM TO COVER)
39	FS552888		1	TRIM FRONT
-	F548984		1	BLANKET, SILENCER TOP (NOT SHOWN)
-	F552985		2	BLANKET, SILENCER SIDE (NOT SHOWN)
40	FA552892		1	DECAL, FRONT

ELECTRICAL COMPONENTS

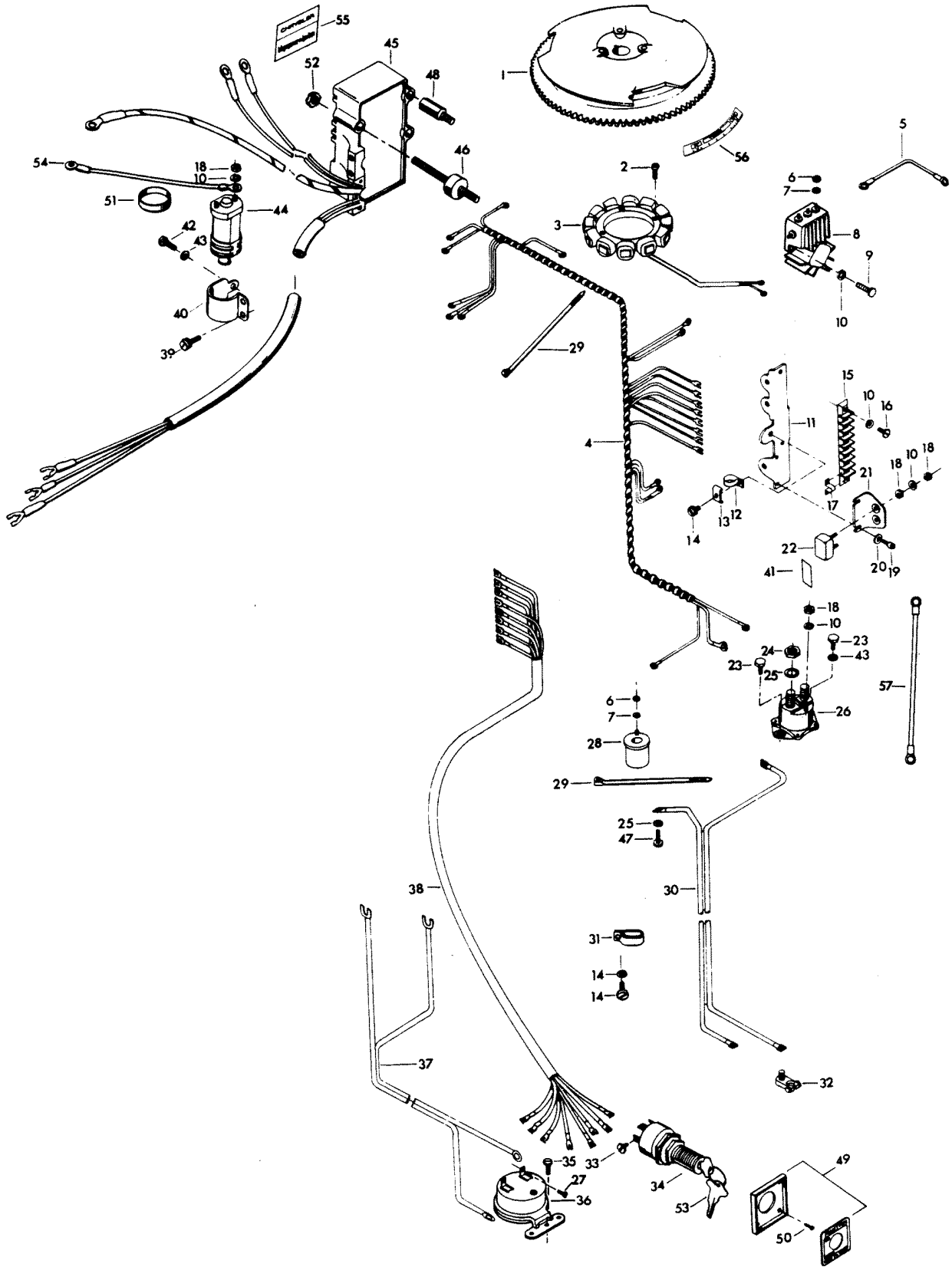


ELECTRICAL COMPONENTS

REF. NO.	PART NO.	SYM.	QTY.	DESCRIPTION
1	F404097		1	FLYWHEEL
2	F1678		6	FILL HD SCREW, 10 - 24 X 13/16
3	F85095-2		1	STATOR
4	F438744-1		1	WIRING HARNESS
5	F345683		1	WIRE, REGULATOR-RECTIFIER GROUND
6	F1647		5	HEX NUT, 8 - 32
7	F8056		5	SPRING LOCKWASHER
8	F404470-1		1	REGULATOR-RECTIFIER
9	F2001		3	FILL HD SCREW, 10 - 24 X 5/8
10	F1975		9	SPRING LOCKWASHER
11	FA439493		1	TERMINAL BLOCK BRACKET
12	F289446-1		1	CLAMP
13	F438668		1	RETAINER, CABLE CLAMP
14	F1734		2	FILL HD SCREW W/LOCKWASHER, 1/4 - 20 X 1/2
15	FA510497		1	TERMINAL BLOCK
16	F1648		2	PAN HD SCREW, 10 - 24 X 3/4
17	F307317		1	CLIP, TERMINAL BLOCK
18	F1513		8	HEX NUT
19	F1760		2	PAN HD SCREW, 10 - 24 X 3/8
20	F8011		2	PLAIN WASHER
21	F91446-1		1	CIRCUIT BREAKER BRACKET
22	F510460		1	CIRCUIT BREAKER
23	F1705		2	HEX CAP SCREW, 1/4 - 20 X 3/4
24	F1515		2	HEX NUT
25	F8096		3	SPRING LOCKWASHER
26	F460917		1	STARTER RELAY
27	F1645		2	SCREW, 6 - 32 X 1/4
28	F85924		1	CHOKE SOLENOID
29	F1877		2	TY-RAP
30	F381896-4		1	BATTERY CABLE
31	F407446		1	CLAMP
32	F5H041		1	BATTERY TERMINAL KIT (ACCESSORY ITEM)
33	F1280		5	SCREW, 8 - 32 X 1/4
34	F5H078		1	IGNITION SWITCH (LONG BARREL) W/KEYS AND SCREWS (ACCESSORY ITEM)
35	F1741		2	SCREW, 8 X 3/4
36	F5H043		1	OVERHEAT BUZZER (ACCESSORY ITEM)
37	F404841		1	CABLE, HEAT INDICATOR
38	F85843-1		1	REMOTE ELECTRIC CABLE, 18 FEET
39	F1851		2	FILL HD SCREW W/LOCKWASHER, 10 - 24 X 1/2
40	F404513		1	COIL CLAMP
41	F510374		1	DECAL, CIRCUIT BREAKER - USA
-	FC510374		1	DECAL, CIRCUIT BREAKER - CANADA

CONTINUED ON NEXT PAGE ➡

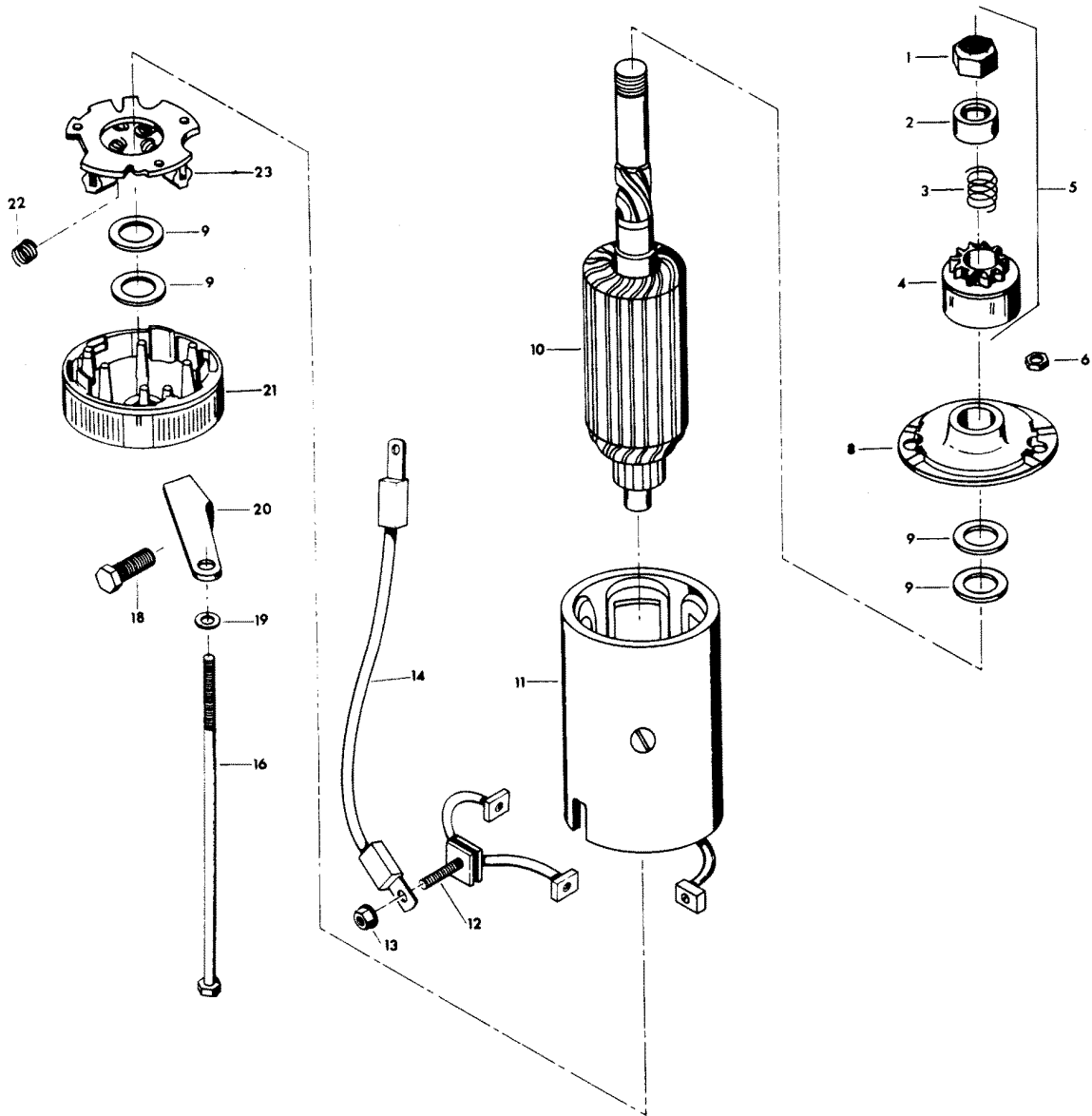
ELECTRICAL COMPONENTS



ELECTRICAL COMPONENTS

REF. NO.	PART NO.	SYM.	QTY.	DESCRIPTION
42	F1689		1	HEX HD CAP SCREW, 1/4 - 20 X 1/2
43	F8083		2	SPRING LOCKWASHER
44	F345475-1		1	COIL
45	300-817855A1		1	UNIT W/DECAL (ORIGINAL FORCE P/N A 523301-1)(Does not include Coil & Clamp)
46	F523962		3	SHOCK MOUNT - C.D. UNIT
47	F2000		1	HEX CAP SCREW, 5/16 - 18 X 3/4
48	F322273		1	STUD, C.D. UNIT
49	F5H038		1	IGNITION SWITCH MOUNTING KIT (ACCESSORY ITEM)
-	817892--1		1	PLATE, IGNITION SWITCH CANADA
50	F1934		4	SCREW, 6 X 12
51	F391983		2	RETAINING BAND
52	F1892		3	STOP NUT
53	FA368700		-	IGNITION KEY - NO LETTER OR STAMPED A
-	FB368700		-	IGNITION KEY - STAMPED B
-	FC368700		-	IGNITION KEY - STAMPED C
-	FD368700		-	IGNITION KEY - STAMPED D
-	FE368700		-	IGNITION KEY - STAMPED E
54	F85664		1	GROUND WIRE
55	480373		1	DECAL, MAGNAPOWER IGNITION
56	F474387		1	TIMING DECAL - USA
-	FC474387		1	TIMING DECAL - CANADA
-	F235785		1	DECAL, COMPLIANCE - CANADA (NOT SHOWN)
57	F319908		1	GROUND WIRE - CANADA

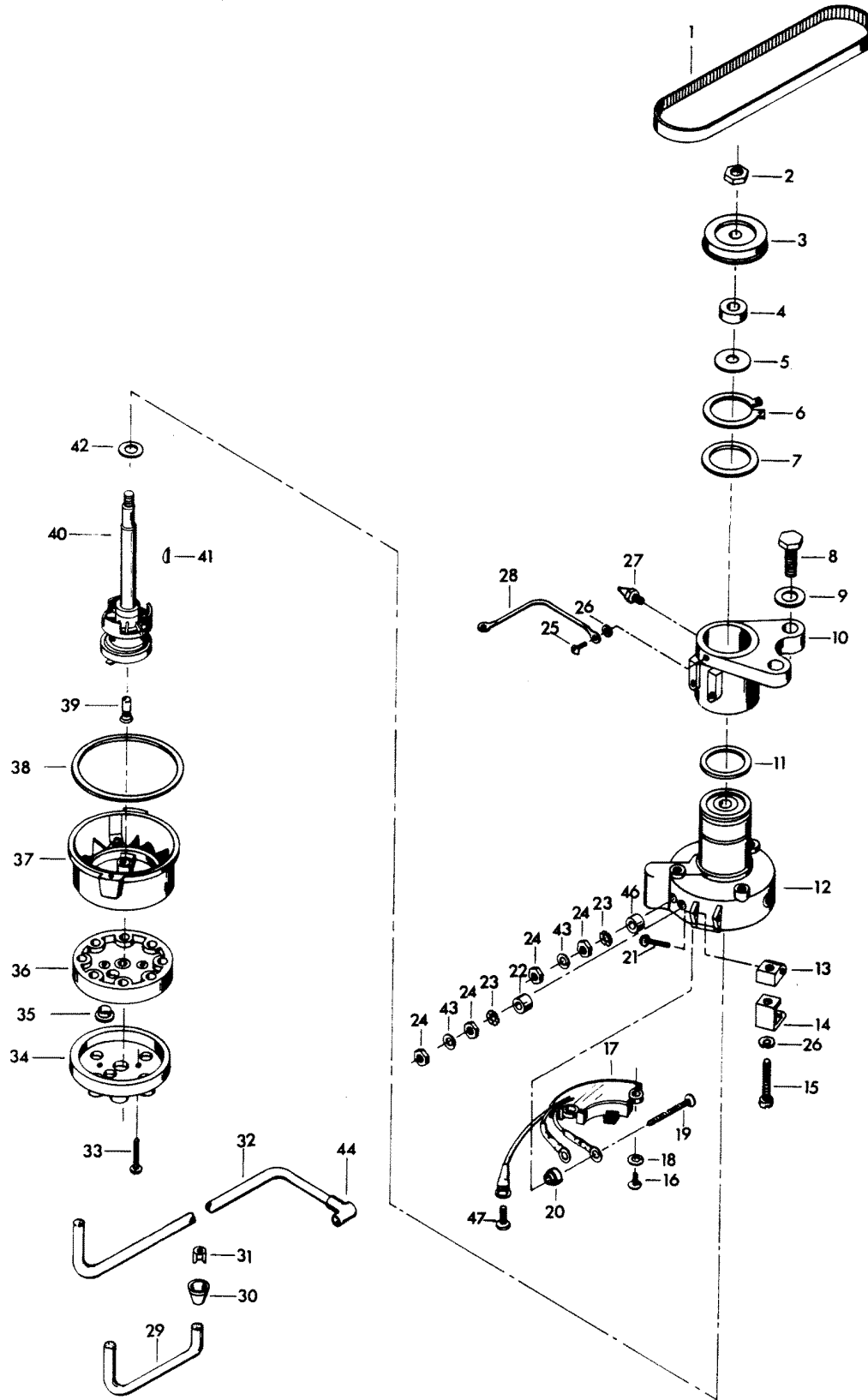
STARTER



STARTER

REF. NO.	PART NO.	SYM.	QTY.	DESCRIPTION
5	F15118		1	BENDIX DRIVE ASSEMBLY
6	F1641		2	LOCK NUT, 1/4 - 28
8	F15167		1	HEAD ASSEMBLY, DRIVE END
9	F15126		1	THRUST WASHER PACKAGE
10	F15099		1	ARMATURE
11	F15166		1	FRAME AND FIELD ASSEMBLY
12	F15054		1	BRUSH AND TERMINAL SET
13	FA15072		1	HEX LOCK NUT, 1/4 - 20
14	F85908		1	STARTER LEAD WIRE
16	F15168		1	THRU BOLT PACKAGE
18	F1502		1	HEX CAP SCREW, 1/4 - 20 X 5/8
19	F8028		2	PLAIN WASHER
20	F511675		1	STARTER BRACKET, LOWER
21	F15125		1	HEAD ASSEMBLY, COMMUTATOR END
22	F15034		1	SPRING SET
23	F15057		1	BRUSH PLATE AND HOLDER ASSEMBLY
-	FS490955		1	STARTER COMPLETE
-	FC500390		1	DECAL, STARTER - CANADA (NOT SHOWN)

DISTRIBUTOR

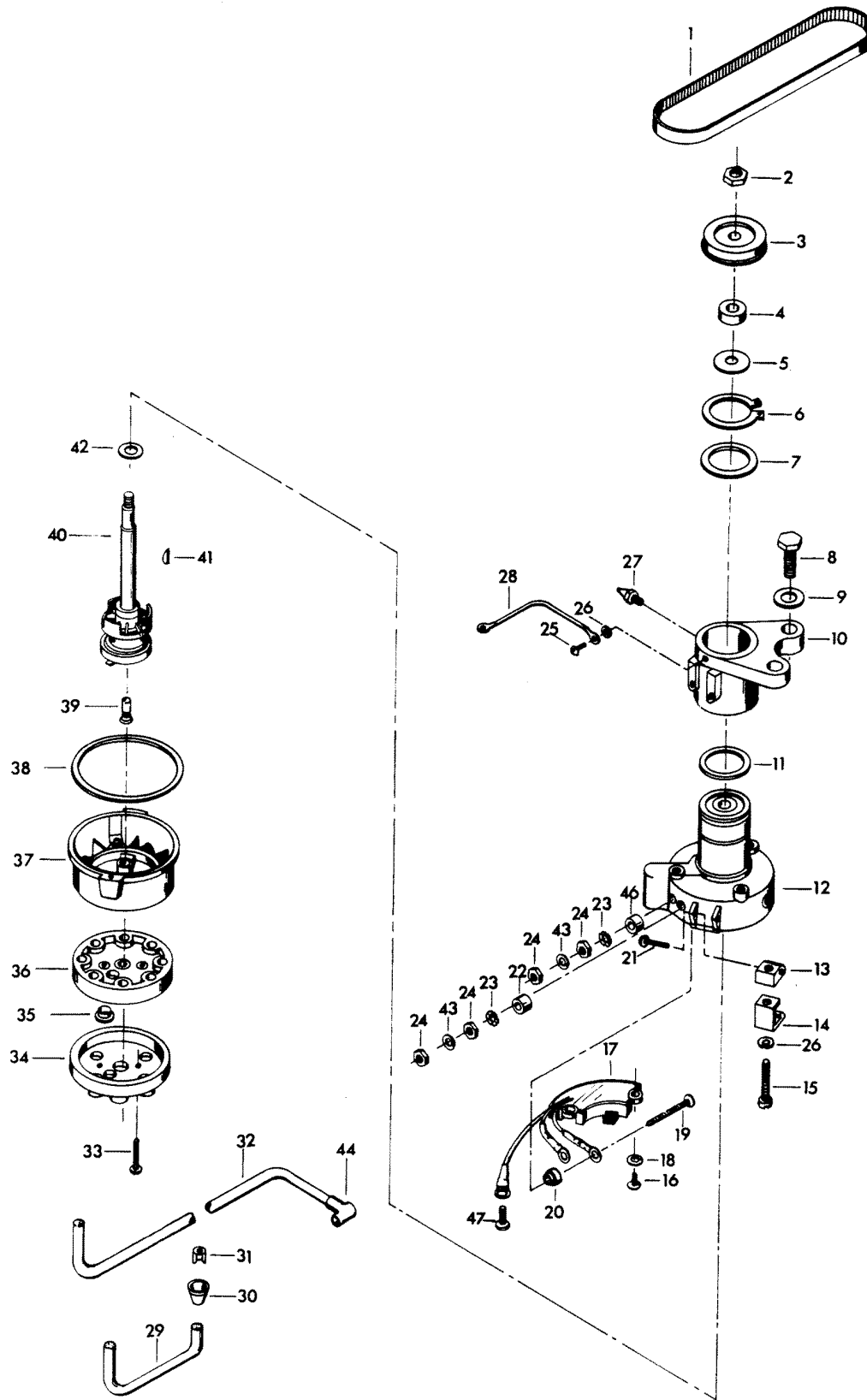


DISTRIBUTOR

REF. NO.	PART NO.	SYM.	QTY.	DESCRIPTION
1	F85311		1	DISTRIBUTOR BELT
2	F7013		1	STOP NUT
3	817786A1		1	DISTRIBUTOR PULLEY
4	F14025		1	SPACER
5	F14028		1	THRUST WASHER
6	F85173		1	RETAINING RING
7	F14029		1	THRUST WASHER
8	F1612		2	HEX CAP SCREW, 3/8 - 16 X 1-1/4
9	F1778		2	PLAIN WASHER
10	FA321574		1	DISTRIBUTOR BRACKET
11	F1759		2	SHIM, DISTRIBUTOR (QTY. AS REQUIRED)
12	F14042		1	DISTRIBUTOR HOUSING W/BEARINGS
13	F14036		2	SWIVEL
14	F14037		2	CAP CLIPS
15	F14038		2	CAP CLIP SCREWS
16	F14045		2	SCREW
17	FA14048-2		1	PREAMPLIFIER
18	F8056		2	LOCKWASHER
19	F14046		2	TERMINAL SCREW
20	F14047		2	TERMINAL INSULATOR (INSIDE)
21	F14015		2	CAP CLIP RIVET
22	F14049		1	TERMINAL INSULATOR (OUTSIDE)
23	F14041		2	EXTERNAL TOOTH LOCKWASHER
24	F1647		2	HEX NUT, 8 - 32
25	F1760		2	PAN HD SCREW, 10 - 24 X 3/8
26	F1975		2	SPRING LOCKWASHER
27	F213274		1	GREASE FITTING
28	F85664		1	DISTRIBUTOR GROUND
29	84-817775A1		1	COIL WIRE W/TERMINAL CLIP
-	F438905		1	COIL WIRE - CANADA
30	F203276		1	BOOT
31	F203673		1	TERMINAL CLIP
32	F321841-3		4	LEAD WIRE
-	F438841-1		4	LEAD WIRE - CANADA
33	F14007		2	CAP SCREW
34	F14010-1		1	CAP COVER
35	F14040		2	VENT
36	F14021-1		1	CAP SEAL
37	F14005-2		1	CAP BASE
38	F14030		1	CAP GASKET
39	F14012-1		1	BRUSH
40	F14044		1	DISTRIBUTOR SHAFT
41	F1692		1	WOODRUFF KEY

CONTINUED ON NEXT PAGE ➡

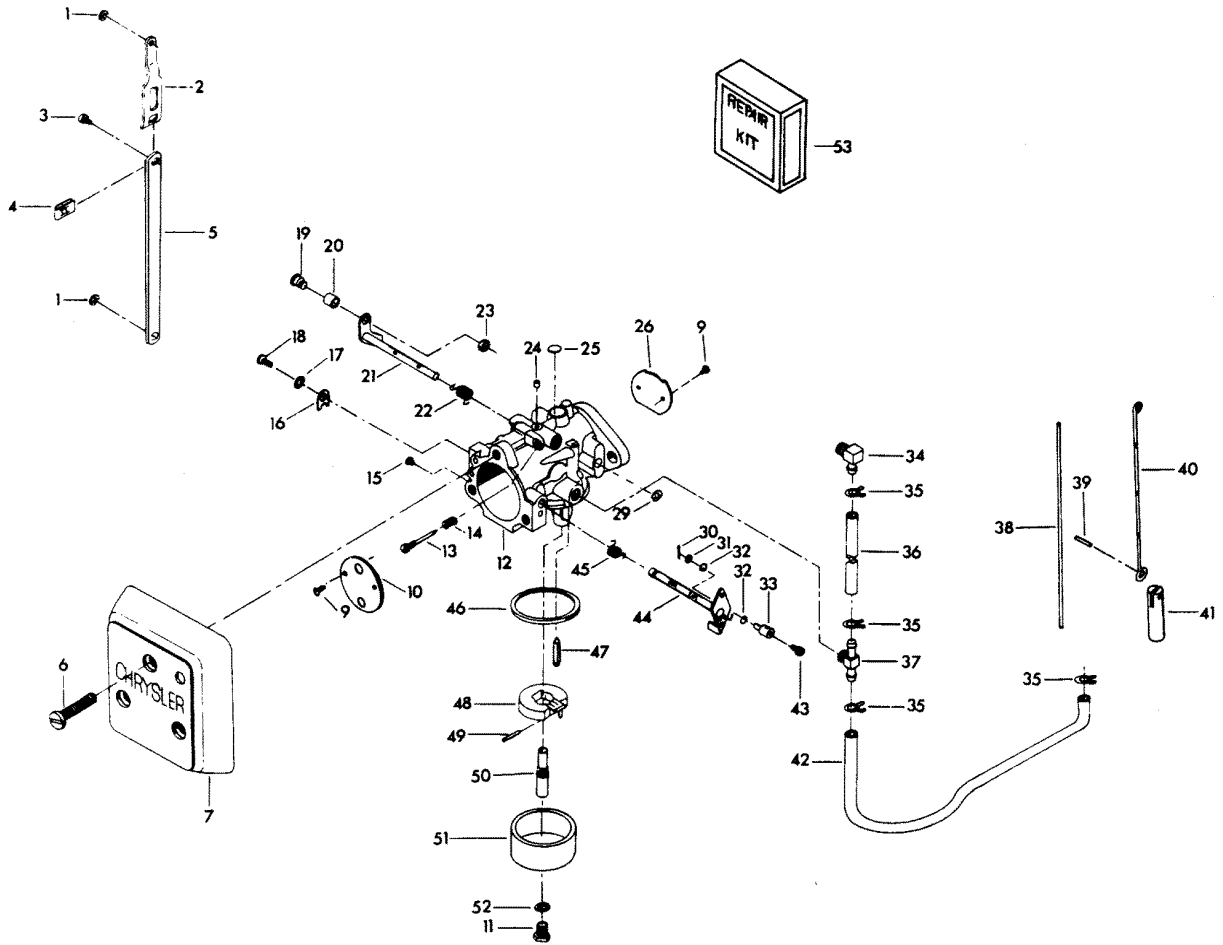
DISTRIBUTOR



DISTRIBUTOR

REF. NO.	PART NO.	SYM.	QTY.	DESCRIPTION
42	F14024		1	SPACER
43	F8056		2	LOCKWASHER
44	FK750-3		4	SPARKIE
46	F14017		1	TERMINAL INSULATOR (OUTSIDE)
-	817828A1		1	DISTRIBUTOR
-	481373-1		1	DECAL, "ELECTRONIC" NOT SHOWN
47	F14056		1	SCREW

CARBURETOR

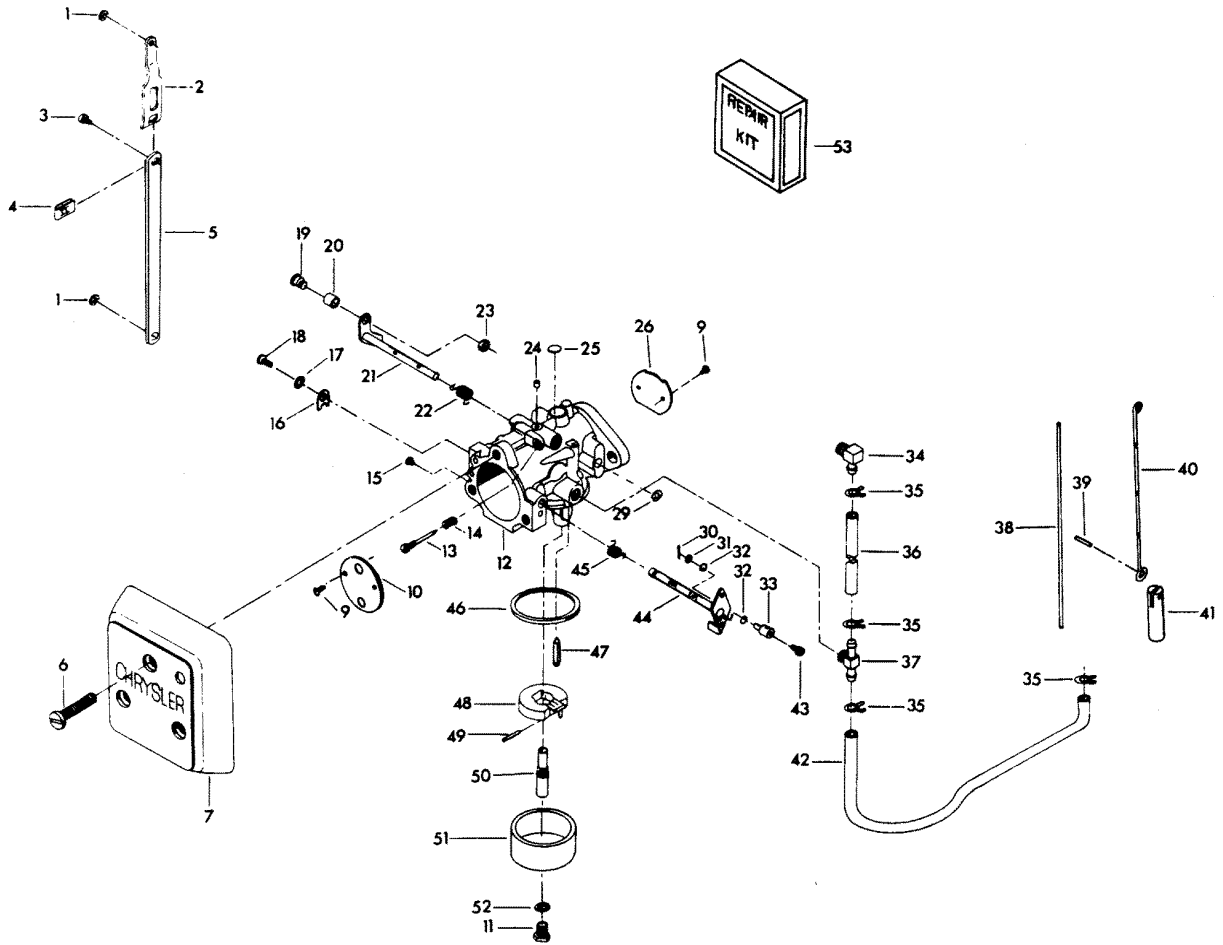


CARBURETOR

REF. NO.	PART NO.	SYM.	QTY.	DESCRIPTION
1	F90807		2	RETAINING RING
2	FA85193		1	TIE BAR END W/SWIVEL
3	F1064		1	FILL HD SCREW, 8 - 32 X 3/8
4	F1693		1	TIE BAR RETAINER NUT
5	FA178233		1	THROTTLE TIE BAR W/SWIVEL
6	F1034		6	SCREW, 1/4 - 20 X 1-3/8
7	F511708		2	COVER, CARBURETOR
9	FO15912		4	CHOKE AND THROTTLE SHUTTER SCREW
10	FO17719		1	CHOKE, SHUTTER
11	FO16132		1	FUEL BOWL RETAINING SCREW
12	F553061		2	CARBURETOR COMPLETE (TC-7A)
13	FO14166		1	IDLE MIXTURE SCREW
14	FO11103		1	IDLE MIXTURE SCREW SPRING
15	FO15406		1	MAIN FUEL JET STD. .090 SEA LEVEL - 1500 FT.
-	FO13193		-	MAIN FUEL JET OPT. .088 1500 - 3000 FT.
-	FO13949		-	MAIN FUEL JET OPT. .086 3000 - 4500 FT.
-	FO14302		-	MAIN FUEL JET OPT. .084 4500 - 6000 FT.
-	FO14109		-	MAIN FUEL JET OPT. .082 6000 FT & UP
16	FO9678		1	CLIP, CHOKE SHAFT
17	FO992		1	LOCKWASHER
18	FO1974		1	SCREW
19	F333316		1	THROTTLE ROLLER SHAFT
20	F92759		1	THROTTLE ROLLER
21	FO17884		1	THROTTLE SHAFT AND LEVER
22	FO16143		1	THROTTLE SHAFT RETURN SPRING
23	F1997		1	STOP NUT, 8 - 32
24	FO10588		5	BODY CHANNEL CUP PLUG
25	FO16128		1	BODY CHANNEL WELCH PLUG
26	FO16142		1	THROTTLE SHUTTER
29	FO16620		1	"E" RING
30	F1014		2	COTTER PIN
31	F8088		3	PLAIN WASHER
32	F184579		5	"O" RING SEAL
33	F184033-1		1	SWIVEL, TOP CARBURETOR
34	F84314-2		1	ELBOW
35	F97772		4	CLAMP
36	F178754-1		1	FUEL LINE
37	F85314-1		1	FUEL FITTING
38	F85509-1		1	LINK, CHOKE
39	F2033		1	GROOVE PIN
40	F440925		1	CHOKE ROD
41	F391926-1		1	PLUNGER
42	F438754		1	FUEL LINE

CONTINUED ON NEXT PAGE ➡

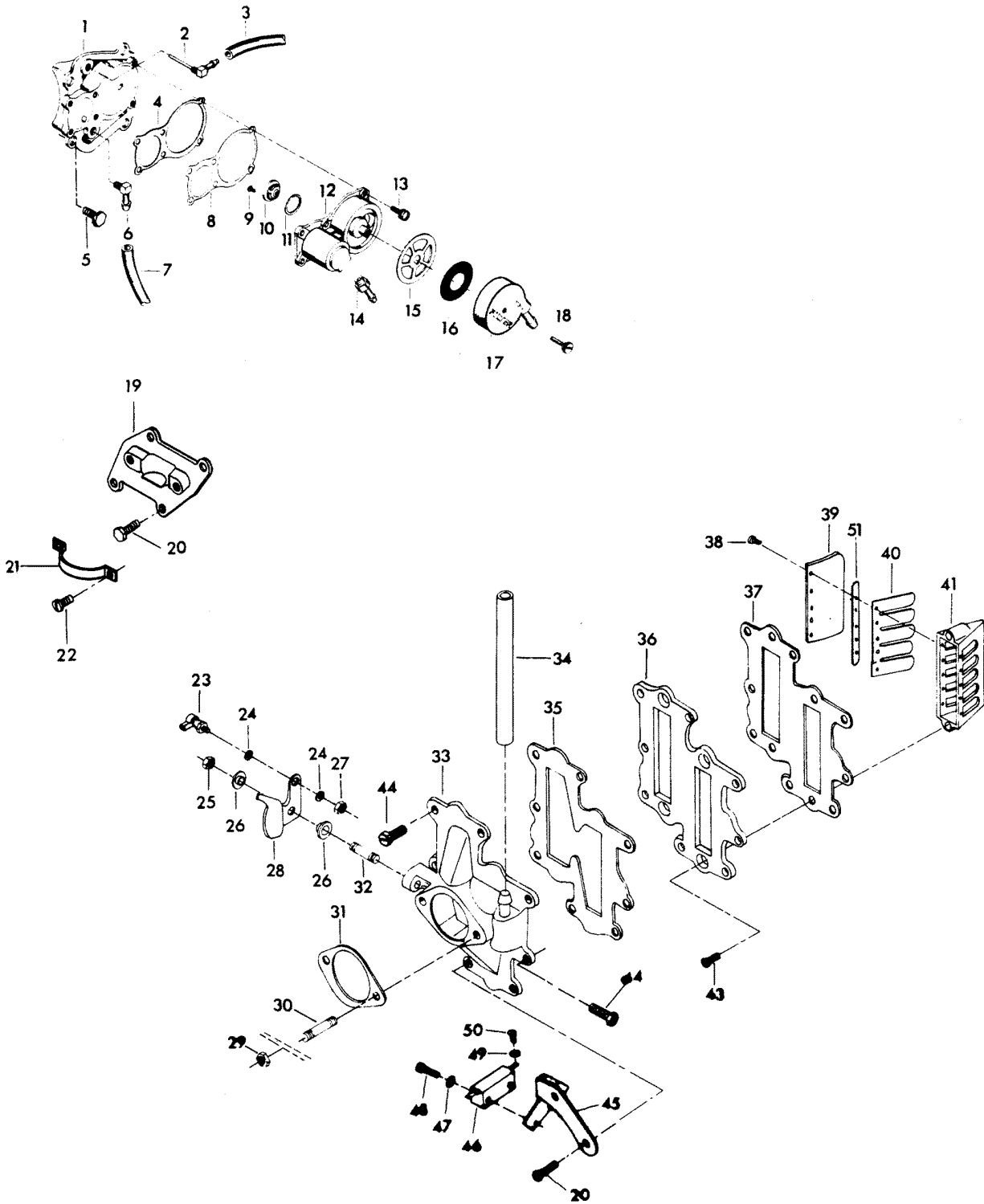
CARBURETOR



CARBURETOR

REF. NO.	PART NO.	SYM.	QTY.	DESCRIPTION
43	F1059		2	FILL HD SCREW, 6 - 32 X 1/4
44	FO16301		1	CHOKE SHAFT AND LEVER
45	FO17885		1	CHOKE SHAFT RETURN SPRING
46	FO15623		1	FUEL BOWL GASKET
47	FO16697		1	INLET NEEDLE
48	FO13554		1	FLOAT
49	FO13944		1	FLOAT LEVER PIN
50	FO16133		1	MAIN NOZZLE
51	FO16130		1	FUEL BOWL
52	FO5323		2	FUEL BOWL RETAINING SCREW GASKET
-	F85033		1	SWIVEL, CHOKE ROD (BOTTOM CARBURETOR) (NOT SHOWN)
-	F10023		1	GASKET SET (NOT SHOWN)
53	F10103		1	REPAIR PARTS KIT INCLUDES ALL ITEMS MARKED WITH AN ASTERISK (*) .

FUEL PUMP AND REED PLATE

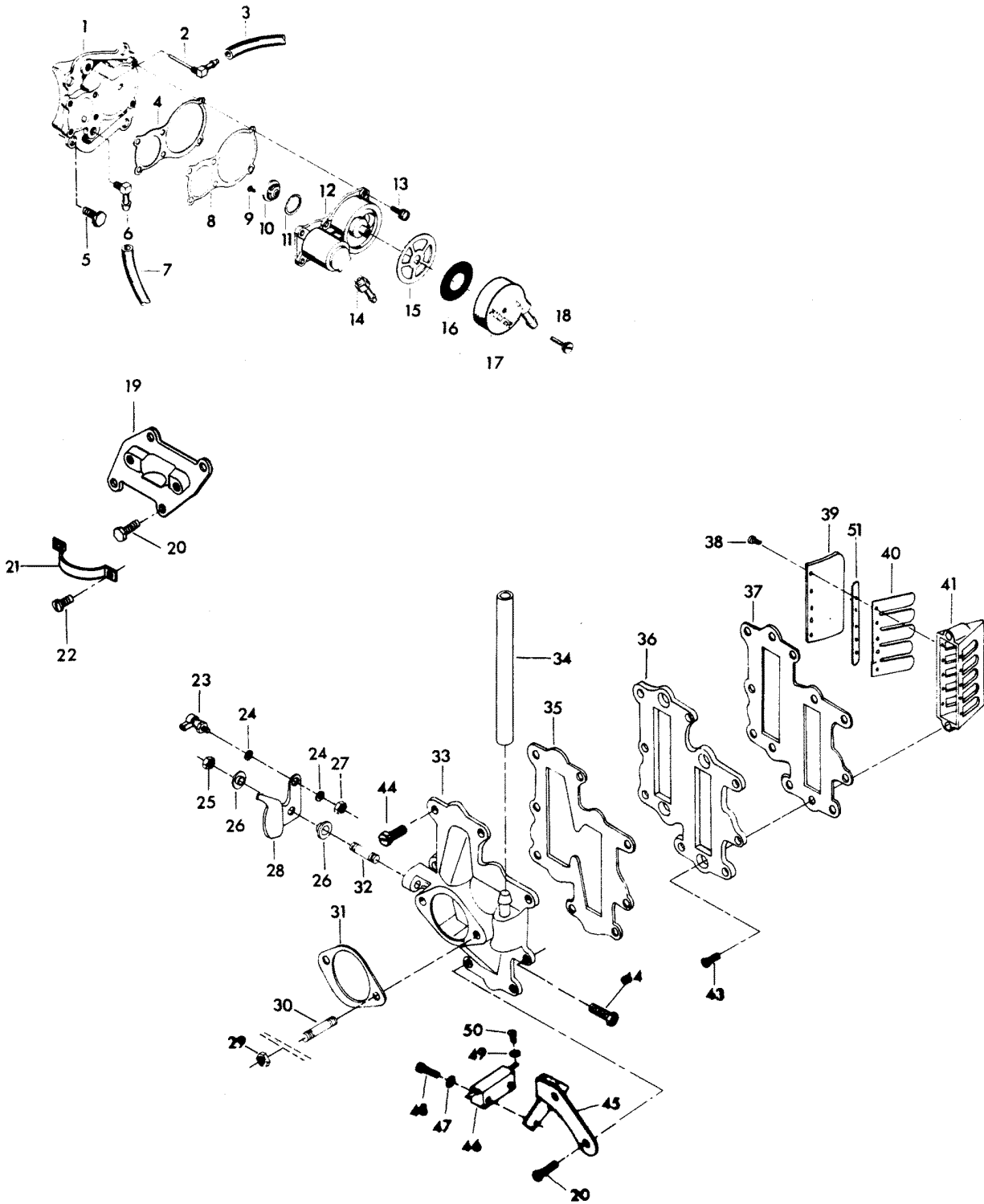


FUEL PUMP AND REED PLATE

REF. NO.	PART NO.	SYM.	QTY.	DESCRIPTION
1	FA439746		1	FUEL PUMP COVER
2	F404314		1	ELBOW, FUEL PUMP COVER
3	F441754-1		1	HOSE
4	F438760		1	FUEL PUMP GASKET
5	F1502		4	HEX CAP SCREW, 1/4 - 20 X 5/8
6	F84314-2		1	ELBOW
7	F89758		1	HOSE, FUEL PUMP USA
8	F438747		1	FUEL PUMP DIAPHRAGM
9	F1860		2	RD HD SCREW, 6 - 32 X 1/4
10	F177330		3	FUEL PUMP VALVE
11	F84792		1	GASKET, CENTER FUEL PUMP VALVE
12	FA438431		1	FUEL PUMP BODY W/VALVES
13	F1108		6	FILL HD SCREW, 1/4 - 20 X 3/4
14	F438801		1	FITTING
15	F438617		1	FUEL SEDIMENT BOWL GASKET
16	F438653		1	FUEL SEDIMENT BOWL SCREEN
17	F438500		1	FUEL SEDIMENT BOWL
18	F438165		1	SCREW, FUEL PUMP BOWL
19	F372958		1	CHOKE BRACKET
20	F1953		6	HEX HD SCREW, 1/4 - 20 X 1
21	F85317-1		1	SOLENOID CLAMP
22	F1236		2	SCREW, 1/4 - 20 X 1/2
23	817747--1		1	BALL JOINT W/STUD
24	F8058		2	INTERNAL TOOTH LOCKWASHER
25	F1910		1	STOP NUT, 1/4 - 20
26	F269319		2	THROTTLE CAM BEARING
27	F1513		1	HEX NUT, 10 - 32
28	F440192-1		1	THROTTLE CAM
29	F1346		4	HEX NUT
30	F440209		4	CARBURETOR STUD
31	F440906		2	CARBURETOR GASKET
32	F433209-1		1	THROTTLE CAM STUD
33	FA440167		1	CARBURETOR ADAPTER, LOWER W/FITTING AND STUDS
-	FA440157		1	CARBURETOR ADAPTER, UPPER W/FITTING AND STUDS (NOT SHOWN)
34	F440254		1	BALANCE TUBE
35	F178168-1		1	GASKET, CARBURETOR ADAPTER
36	F178404-1		2	DEFLECTOR PLATE
37	F406406		2	GASKET DEFLECTOR PLATE
38	F1755		40	ROUND HD SCREW W/LOCKWASHER 6 - 32 X 1/4
39	F85161-1		8	REED STOP
40	F530160		8	REED (5 PETAL)
41	F3A523158		4	REED PLATE W/REEDS, REED STOPS AND SCREWS

CONTINUED ON NEXT PAGE ➡

FUEL PUMP AND REED PLATE

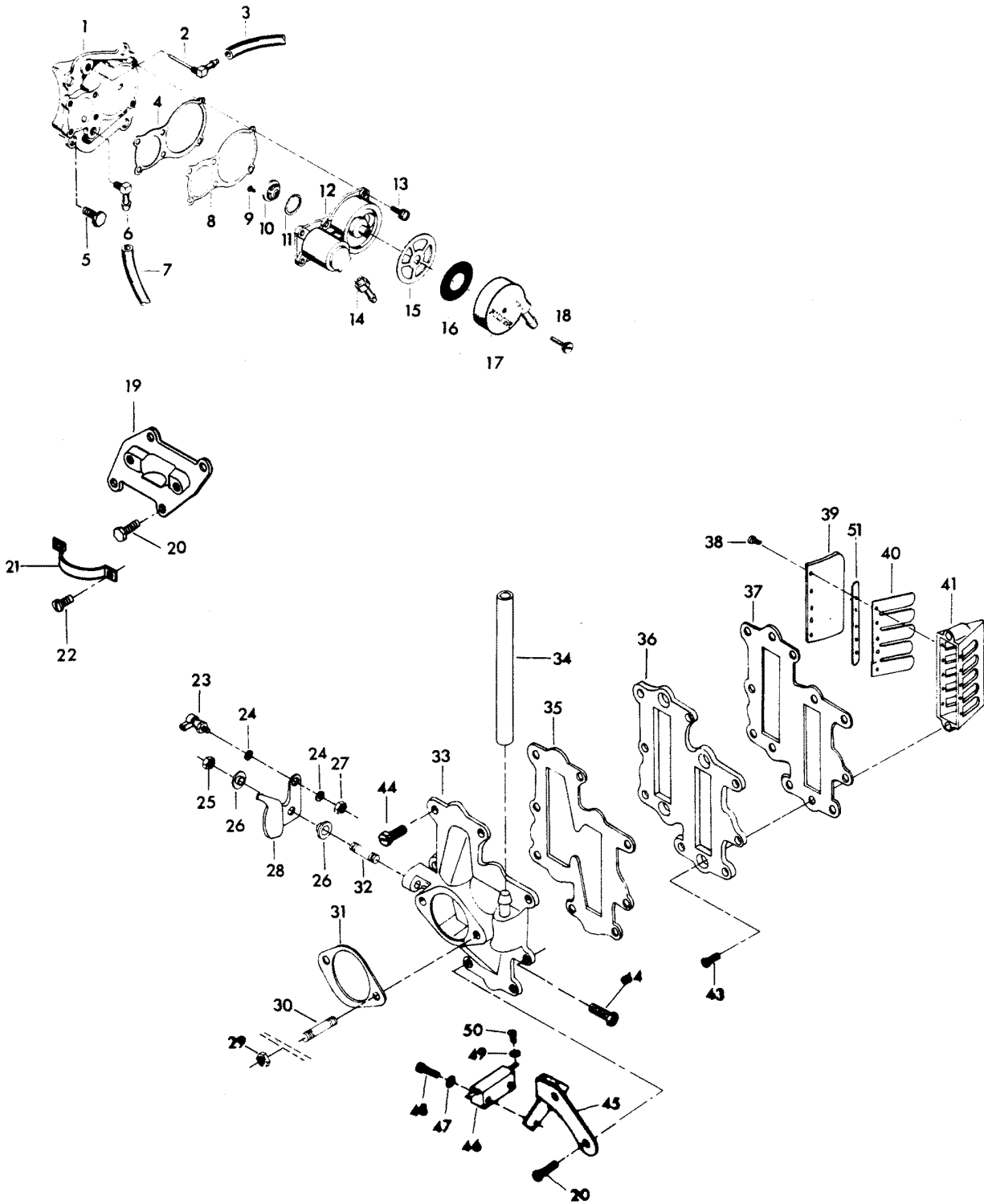


FUEL PUMP AND REED PLATE

REF. NO.	PART NO.	SYM.	QTY.	DESCRIPTION
43	F1831		8	FLAT HD SCREW, 1/4 - 20 X 5/8
44	F1915		10	HEX HD SCREW, 1/4 - 20 X 7/8
45	F489551		1	BRACKET NEUTRAL INTERLOCK SWITCH
46	F84449		1	INTERLOCK SWITCH
47	F8088		2	PLAIN WASHER
48	F2016		2	FILL HD SCREW, 6 - 32 X 7/8
49	F1704		2	INTERNAL TOOTH LOCKWASHER
50	F1645		2	RD HD SCREW, 6 - 32 X 1/4
51	F523451		8	SPACER, REEDS STOP
65	F85610		2	BEARING
66	FA480876		1	GEAR SHIFT ARM W/SWIVEL, BEARINGS, INTERLOCK ARM AND SHOULDER SCREW
67	F2108		1	STOP NUT, 5/16 - 18
68	F1832		1	STOP NUT, 1/4 - 20
69	F85279-2		1	GASKET, CYLINDER EXHAUST UPPER
70	F1869		6	HEX CAP SCREW, 3/8 - 16 X 1-1/4
71	F1703		6	LOCKWASHER
72	F40689-1		1	BEARING
73	817788A3		1	SPACER PLATE W/PLUG
74	F2090		1	PLUG
75	F476529		1	CYLINDER HEAD GASKET
76	F1107		2	SLOTTED FILL HD CAP SCREW, 1/4 - 20 X 3/4
77	33-97180		4	SPARK PLUG (CHAMPION L20V) - USA
-	C523227		4	SPARK PLUG (CHAMPION QL-76V) - CANADA. FOR MODEL T111500B9A
78	F2049		18	HEX CAP SCREW, 5/16 - 18 X 2-5/8
79	F1987		18	PLAIN WASHER
80	FA528518		1	CYLINDER HEAD
81	F476067		1	GASKET
82	F528068		1	THERMOSTAT
83	F84504		1	GROMMET (THERMOSTAT)
85	F476066-1		1	THERMOSTAT COVER
86	F438398		1	DECAL, WIRING - USA
-	FC438398		1	DECAL, WIRING - CANADA
87	F1709		27	HEX BOLT, 1/4 - 20 X 1-1/8
88	F372152-1		1	EXHAUST PORT COVER
89	F372154-1		2	GASKET, EXHAUST PORT PLATE
90	F372151-1		1	EXHAUST PORT PLATE
91	F1950		2	HEX CAP SCREW, 10 - 24 X 5/8
92	F438066		1	BY-PASS VALVE COVER
93	F85762		1	BY-PASS VALVE COVER GASKET
94	F404268		1	BY-PASS VALVE SPRING
95	F85916-1		1	BY-PASS VALVE
96	F1647		1	HEX NUT, 8 - 32

CONTINUED ON NEXT PAGE ➡

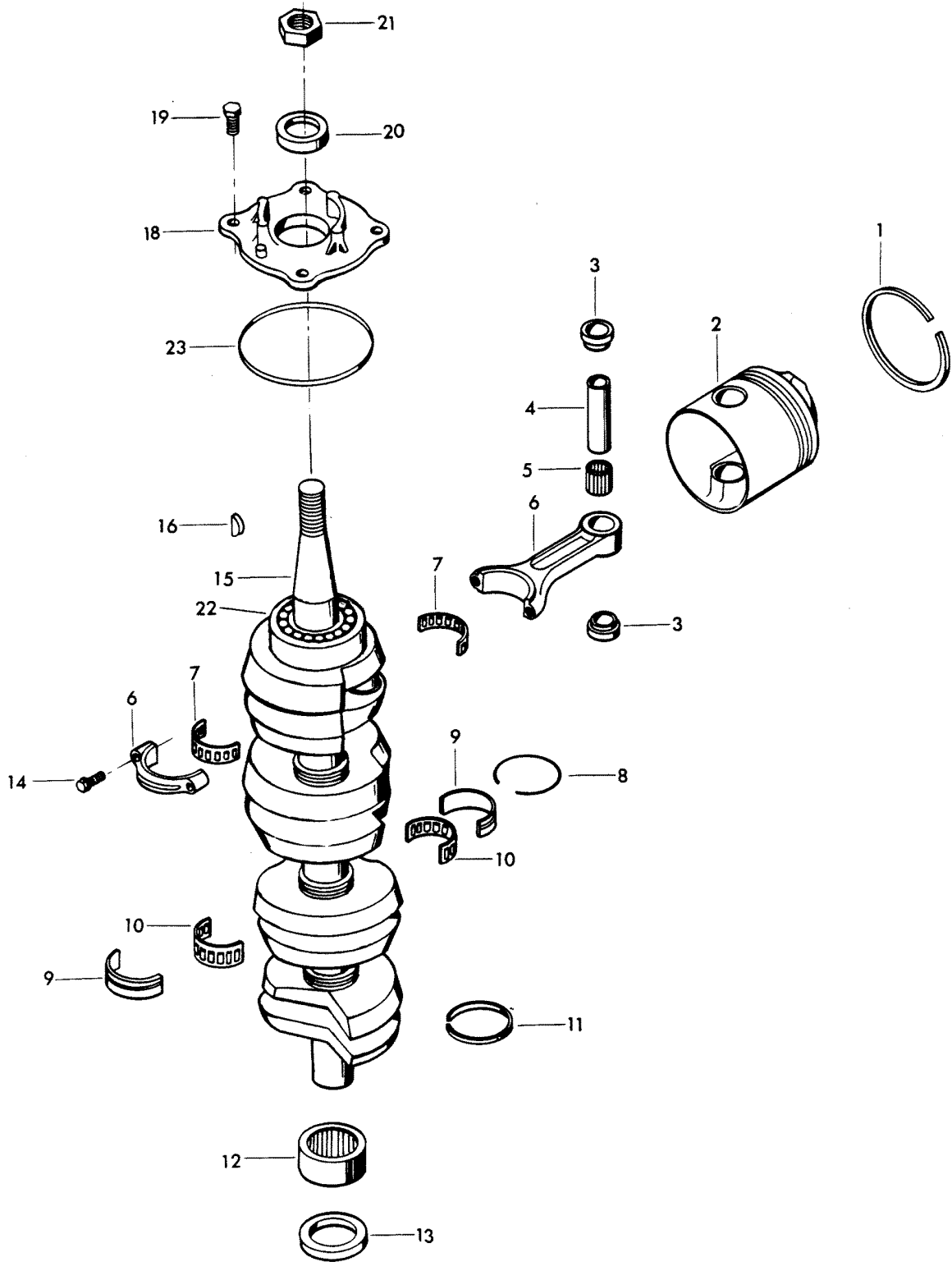
FUEL PUMP AND REED PLATE



FUEL PUMP AND REED PLATE

REF. NO.	PART NO.	SYM.	QTY.	DESCRIPTION
97	F8056		1	LOCKWASHER
98	87-817778A1		1	THERMOSWITCH W/ILLUSTRATION 96, 97 ORIGINAL FORCE P/N A335449-1
99	F2000		1	HEX CAP SCREW, 5/16 - 18 X 3/4
100	F8096		1	SPRING LOCKWASHER
101	F184122-1		1	SEAL, PARTING LINE
102	F2015		1	HEX NUT, 1/4 - 28
103	F1475		4	FILL HD SCREW, 10 - 24 X 1/2
104	F480107-1		1	CAM STARTER INTERLOCK
105	F2089		2	SLOTTED PAN HD M. SCREW 10 - 24 X 5/16
106	F2042		2	PLAIN WASHER
107	F1203		4	HEX CAP SCREW, 1/4 - 20 X 7/8
108	F528995		1	COVER, CYLINDER HEAD
109	F8038		4	PLAIN WASHER
110	F8095		12	PLAIN WASHER
111	FG1003-1		1	GASKET SET (INCLUDES THE FOLLOWING)
-	F40223		4	TRANSFER PORT COVER GASKET
-	F84067-1		1	THERMOSTAT COVER GASKET
-	F84472-5		2	CYLINDER DRAIN COVER GASKET
-	F84748-3		2	CYLINDER DRAIN REED PLATE GASKET
-	F85279-2		1	CYLINDER EXHAUST UPPER GASKET
-	F85453-1		1	CYLINDER EXHAUST LOWER GASKET
-	F85762		1	BY-PASS COVER GASKET
-	F85906		2	CARBURETOR GASKET
-	F178168-1		2	CARBURETOR ADAPTER GASKET
-	F184122-1		1	SEAL
-	F372154-1		2	EXHAUST PLATE GASKET
-	F372529		1	CYLINDER HEAD GASKET
-	F406406		2	DEFLECTOR PLATE GASKET
-	F440906		2	CARBURETOR GASKET
-	F476067		1	THERMOSTAT COVER GASKET
-	F476529		1	CYLINDER HEAD GASKET

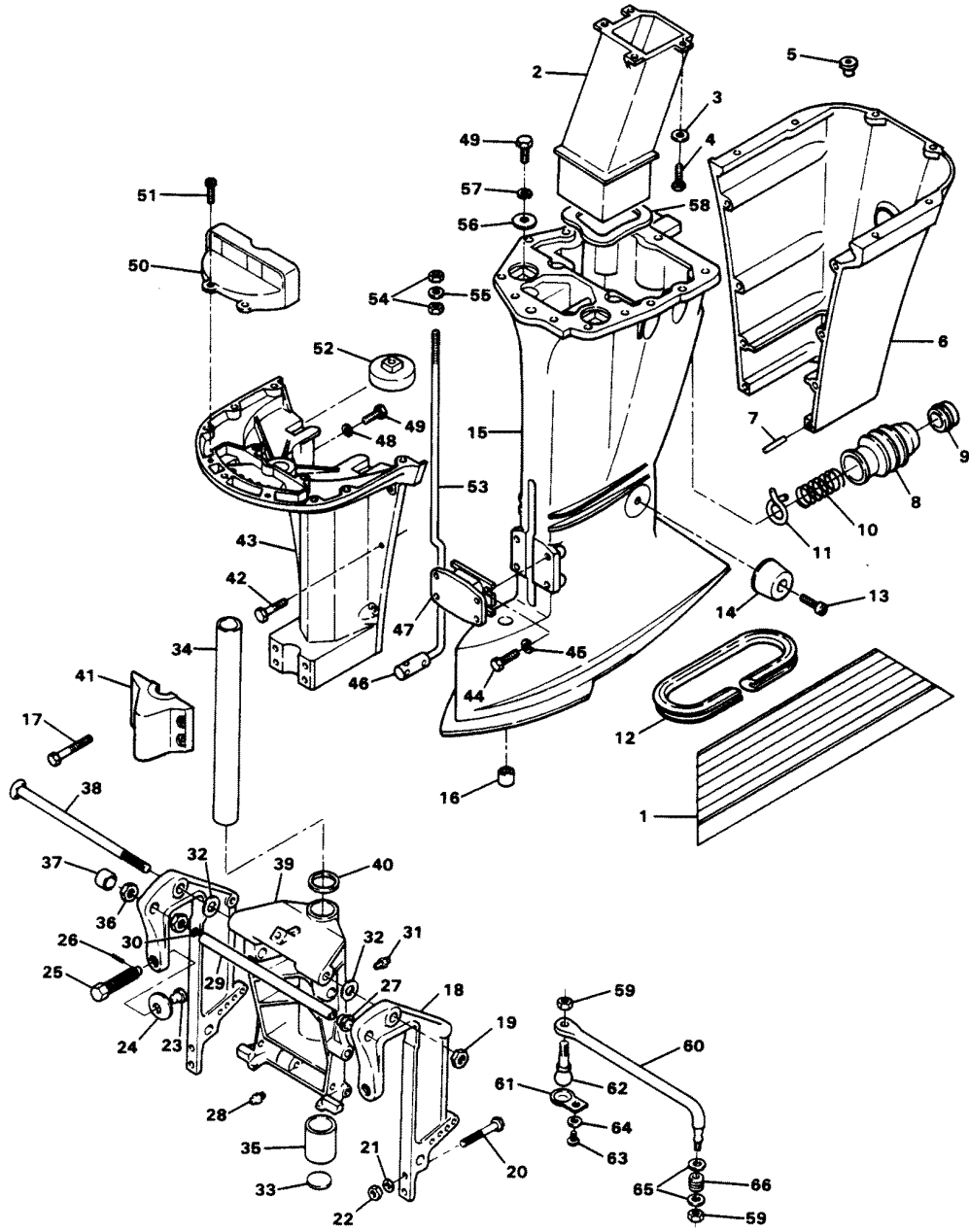
CRANKSHAFT AND PISTON GROUP



CRANKSHAFT AND PISTON GROUP

REF. NO.	PART NO.	SYM.	QTY.	DESCRIPTION
1	FA475260		4	PISTON RING SET - STANDARD (2 PER SET)
-	FSA475260		4	PISTON RING (2 PER SET) .010 OVERSIZE (NOT SHOWN)
-	39-818123A1		4	PISTON RING (2 PER SET) .030 OVERSIZE (NOT SHOWN)
2	F511015-2		4	PISTON - STANDARD
-	700-819409A3		4	PISTON .010 OVERSIZE (NOT SHOWN)
-	700-819409A4		4	PISTON .030 OVERSIZE (NOT SHOWN)
3	F335215		8	SPACER, PISTON PIN (2 PER PISTON)
4	F85017		4	PISTON PIN
5	F335217-1		4	BEARING, PISTON PIN (26 PER SET)
6	600-818052A4		4	CONNECTING ROD W/CAP AND SCREWS
7	FK85228-1		4	BEARING CAPE W/ROLLER
8	F85410		3	SNAP RING
9	FA85655-1		3	CRANKSHAFT MAIN BEARING RACE W/SNAP RING
10	F85571		3	BEARING CAGE W/ROLLER
11	F316579		3	SEAL, CRANKCASE
12	FA523014		1	CRANKSHAFT LOWER MAIN BEARING W/ITEM 13
13	F523146		1	SEAL, CRANKSHAFT LOWER
14	F85634-2		8	CONNECTING ROD SCREW
15	400-817735A4		1	CRANKSHAFT W/BEARING
16	F85498		1	FLYWHEEL KEY
18	31-817785A2		1	CRANKSHAFT BEARING CAGE W/SEAL
19	F1867		4	HEX CAP SCREW, 3/8 - 16 X 1
20	F84146-2		1	SEAL
21	F1968		1	FLYWHEEL NUT
22	F284659-2		1	BEARING, CRANKSHAFT UPPER MAIN
23	F84278		1	SEAL

MOTOR LEG

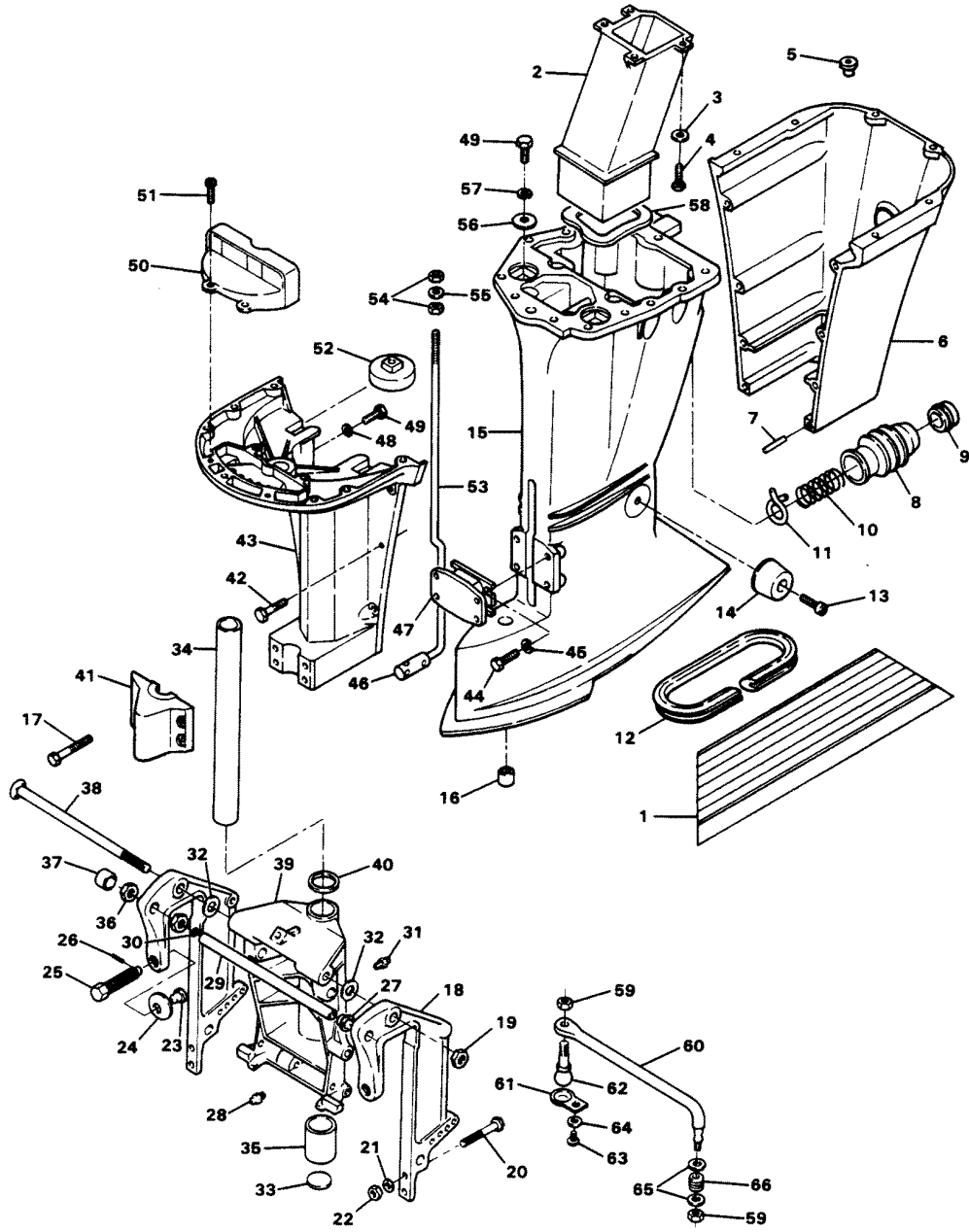


MOTOR LEG

REF. NO.	PART NO.	SYM.	QTY.	DESCRIPTION
1	A553392		1	DECAL - LEG (PORT)
-	A553391		1	DECAL - LEG (STBD)
2	F85660-1		1	EXHAUST TUBE
3	F8083		4	SPRING LOCKWASHER
4	F1864		4	HEX SLOT HD SCREW, 1/4 - 20 X 3/4
5	F1729		2	PLUG
6	817931A7		1	MOTOR LEG COVER REAR
7	F1664		2	SPRING PIN
8	F85130		1	BOOT IDLE EXHAUST
9	F85258		1	INSERT
10	F85380		1	SPRING
11	F85772		1	CLAMP
12	F178323		1	SEAL, MOTOR LEG
13	F1263		2	HEX SOCKET HD CAP SCREWS, 5/16 - 18 X 9/16
14	F438962		2	SHOCK MOUNT LOWER REAR
15	F523133-2		1	MOTOR LEG
16	F338618-1		1	SEAL, GEAR SHIFT ROD
17	F1696		4	SCREW, 5/16 - 18 X 1-3/4
18	1400-817958A6		2	STERN BRACKET
19	F7012		1	STOP NUT
20	F1593		2	HEX HD SCREW, 3/8 - 16 X 3
21	F1904		2	PLAIN WASHER
22	F1346		2	HEX NUT
23	F353480		2	STUD
24	F84074		2	CLAMP SCREW FOOT
25	F474073-1		2	CLAMP SCREW
26	F8538		2	SPRING PIN
27	F9052		1	PLUG
28	F523274		1	GREASE FITTING
29	F511125-2		1	TUBE, STEERING SUPPORT
30	F316599		1	SEAL, STEERING TUBE
31	F213274		3	GREASE FITTING
32	F84286-1		4	FRICTION WASHER
33	F1528		1	WELCH PLUG
34	FA85019		1	KINGPIN W/PLUG
35	F438169		2	BEARING
36	F523280		1	NUT, STEERING SUPPORT TUBE
37	F9018		1	CAP
38	F85037-1		1	STERN BRACKET PIVOT BOLT
39	817783A5		1	SWIVEL BRACKET W/BEARINGS & GREASE FITTINGS
40	F84011		1	WASHER
41	F85606		1	KINGPIN CAP
42	F2030		6	HEX HD M. SCREW, 1/4 - 20 X 1-1/4

CONTINUED ON NEXT PAGE ➡

MOTOR LEG

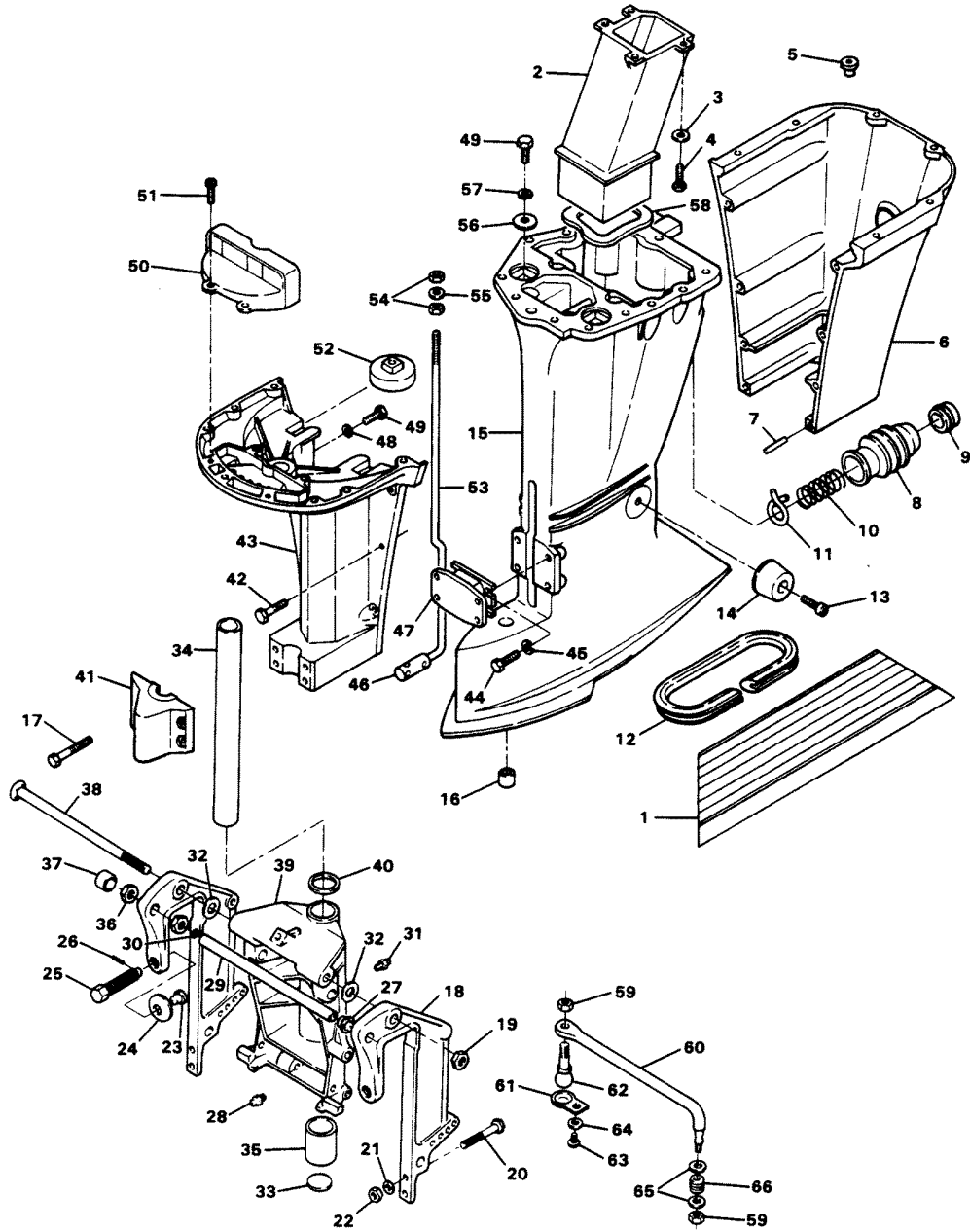


MOTOR LEG

REF. NO.	PART NO.	SYM.	QTY.	DESCRIPTION
43	A85135-3		1	LEG COVER FRONT
44	F1822		4	HEX BOLT, 5/16 - 18 X 7/8
45	F8096		4	SPRING LOCKWASHER
46	F85704		1	COUPLER, GEAR SHIFT ROD
47	F438346		1	SHOCK MOUNT LOWER
48	F1703		2	SPRING LOCKWASHER
49	F1871		4	HEX HD SCREW, 3/8 - 16 X 3/4
50	F85779-1		1	BAFFLE, AIR INTAKE
51	F1912		4	HEX HD SCREW, 10 - 24 X 1/2
52	F85965		2	SHOCK MOUNT UPPER
53	F85615		1	GEAR SHIFT ROD UPPER
54	F2108		2	LOCK NUT
55	F1987		1	PLAIN WASHER
56	FA85355-1		2	WASHER
57	F8039		2	PLAIN WASHER
58	F439736		1	SEAL, EXHAUST TUBE
59	F2093		2	STOP NUT 3/8 - 24
60	F523881-1		1	STEERING LINK
61	F523930		1	RETAINER
62	F523273		1	STEERING BALL STUD
63	F1280		1	PAN HD SCREW 8 - 32 X 1/4
64	F8080		1	SPRING LOCKWASHER
65	F8038		2	PLAIN WASHER
66	F523300-1		1	SPRING
45	F523705		1	GEAR SHIFT ROD LOWER
46	F1015		1	COTTER PIN
47	F85372		1	PIN, GEAR SHIFT ROD LOWER
48	F523555		1	SEAL, "O" RING, GEAR HOUSING COVER
49	F523961		1	CRUSH RING
50	F74305		1	SEAL, DRIVESHAFT BEARING CAGE
51	F506118		1	SEAL, DRIVESHAFT
52	F2A550706		1	GEAR HOUSING COVER W/SEALS
53	F338618-1		1	SEAL, GEAR SHIFT ROD
54	F8083		7	SPRING LOCKWASHER
55	F1999		3	HEX CAP SCREW, 1/4 - 20 X 7/8
56	F523031		1	GASKET, WATER PUMP
57	F523562		1	PLATE, WATER PUMP
58	F523065		1	IMPELLER, WATER PUMP
59	46-817853A1		1	WATER PUMP BODY W/DRIVESHAFT SEAL, DISC AND WATERING SEAL
60	F1990		2	HEX CAP SCREW, 1/4 - 20 X 1-5/8
61	F480388		1	DISC, WATER PUMP LOCATING
62	F1425		2	HEX CAP SCREW, 1/4 - 20 X 1-5/8

CONTINUED ON NEXT PAGE ➡

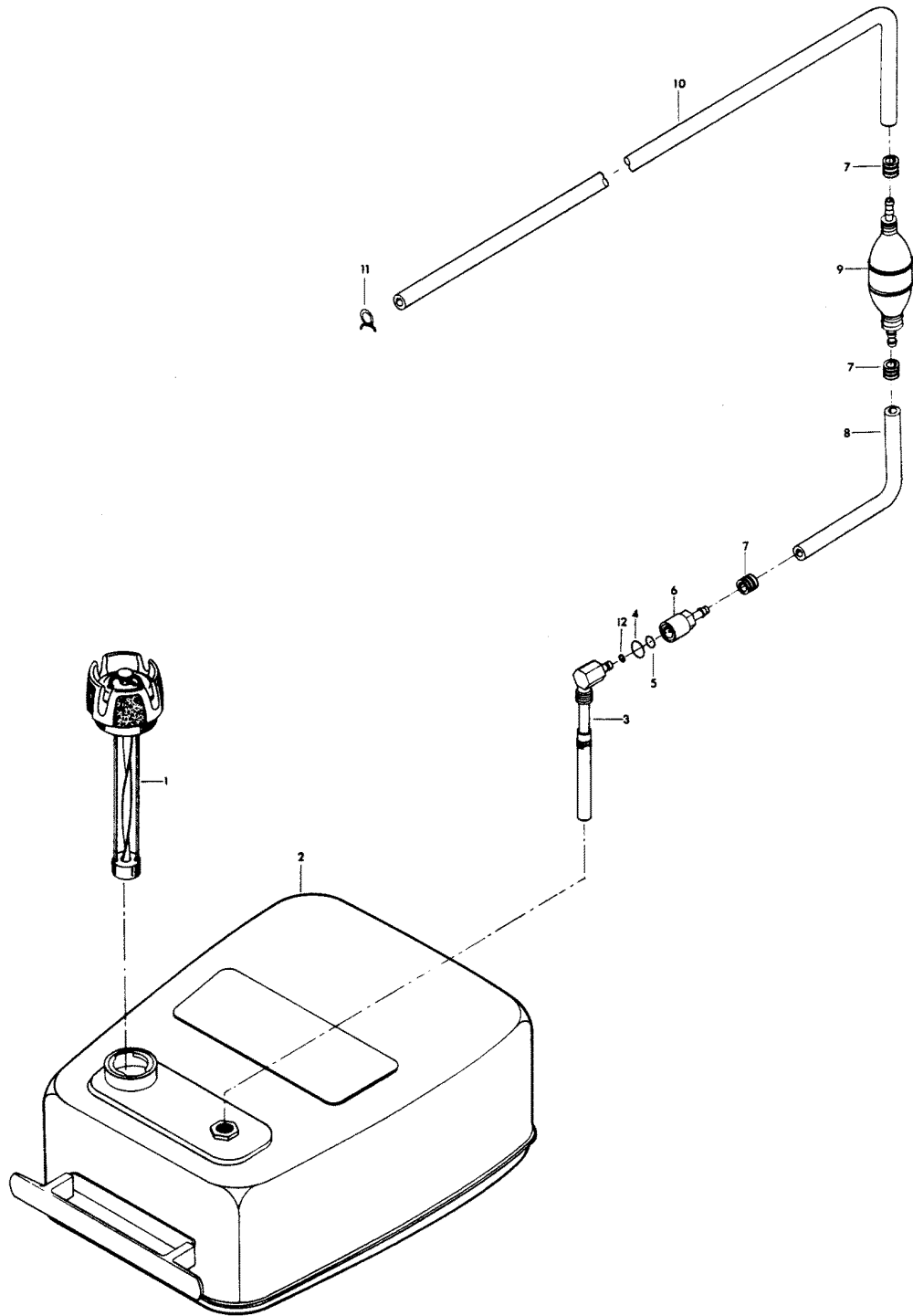
MOTOR LEG



MOTOR LEG

REF. NO.	PART NO.	SYM.	QTY.	DESCRIPTION
63	F351307		1	SEAL, DRIVESHAFT - WATER PUMP
64	FA523735		1	SEAL, INLET WATER LINE, LOWER
65	F523057		1	BEARING, DRIVESHAFT LOWER
66	F9106		A/R	SHIM, DRIVESHAFT BEARING UPPER .033 BRASS
-	F9095		A/R	SHIM, DRIVESHAFT BEARING UPPER .005 BRASS
-	F9097		A/R	SHIM, DRIVESHAFT BEARING UPPER .010 BLACK
67	F523498		1	DRIVE KEY, WATER PUMP
68	FK550128		1	DRIVESHAFT W/BEARING, SHIMS AND CRUSH RING
69	F438271		1	RETAINER, CRANKSHAFT SPLINE SEAL
70	F438129		1	SEAL, DRIVESHAFT SPLINE
71	F1866		1	PLAIN WASHER
72	F1856		2	PLAIN WASHER
73	F90619-1		1	YOKE
74	FK1063-1		1	SEAL KIT (INCLUDES THE FOLLOWING)
-	F50342-1		4	BEARING CAGE BOLT SEAL
-	F506118		2	PROPELLER SHAFT SEAL
-	F24278		1	PROPELLER SHAFT SPOOL SEAL
-	F84305		1	PROPELLER SHAFT SPOOL SEAL
-	F498618		1	GEAR SHIFT ARM PIN SEAL
-	F8077		2	WASHER
-	F523555		1	GEAR HOUSING COVER SEAL
-	F74305		1	GEAR HOUSING COVER SEAL
-	F84307-1		1	DRIVESHAFT SEAL
-	F338618-1		1	GEAR SHIFT ROD SEAL
75	FK1069		1	WATER PUMP KIT
-	F1425		2	HEX CAP SC, 1/4 - 20 X 5/8
-	F1990		2	HEX CAP SCREW
-	F8083		4	SPRING LOCKWASHER
-	F523031		1	GASKET, WATER PUMP
-	F523065		1	IMPELLER
-	F523498		1	KEY
-	F523562		1	PLATE, WATER PUMP
-	46-817853A1		1	WATER PUMP

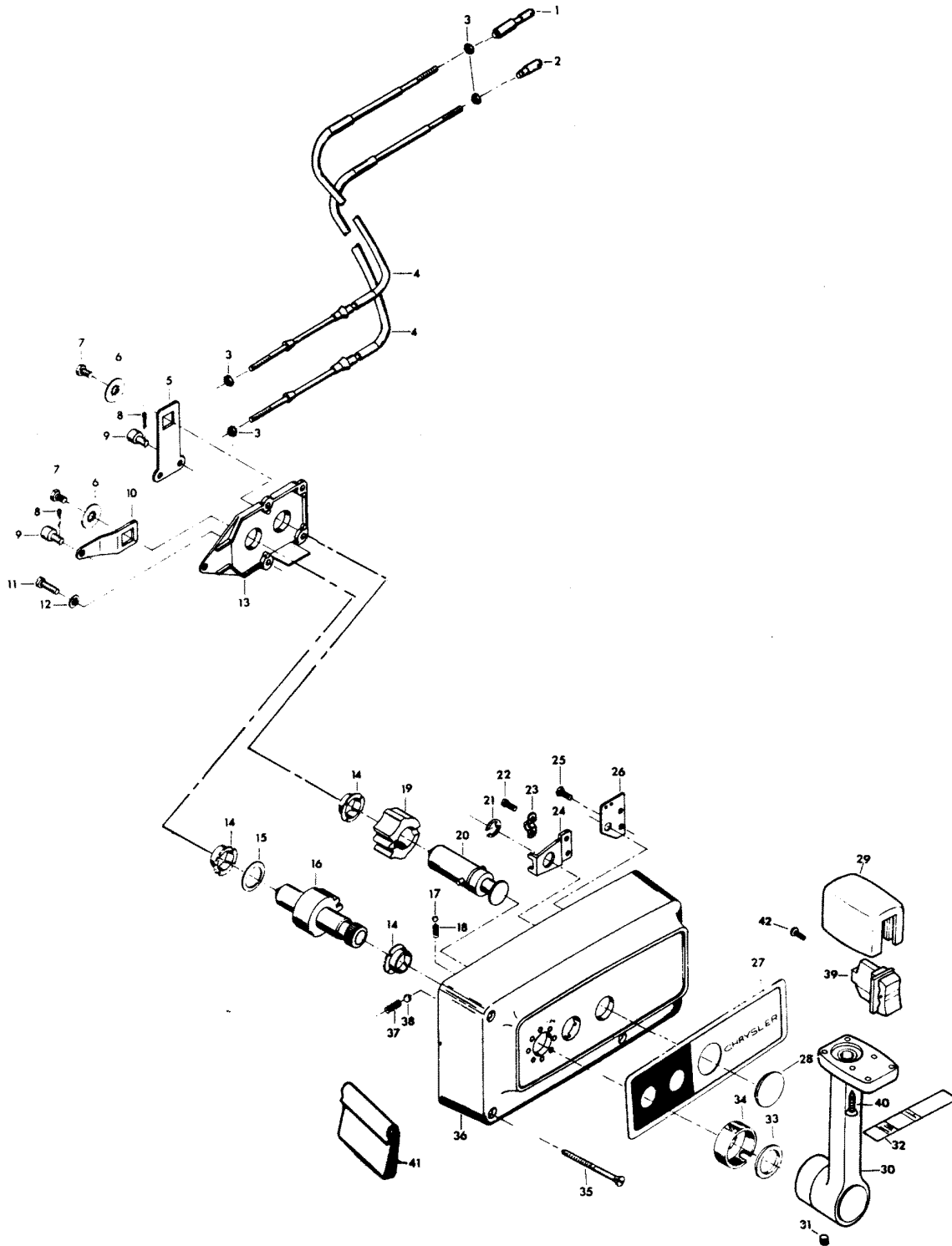
FUEL TANK AND LINE



FUEL TANK AND LINE

REF. NO.	PART NO.	SYM.	QTY.	DESCRIPTION
1	F409251-1		1	GAUGE CAP
2	F5H026		1	FUEL TANK (ACCESSORY ITEM)
3	F485755-1		1	FUEL TANK ADAPTER
4	F213342		1	SEAL, FUEL LINE COUPLER (LARGE)
5	F213735		1	SEAL, FUEL LINE COUPLER (SMALL)
6	F197787-3		1	FUEL LINE COUPLER
7	F298788		3	FERRULE
8	FA84754-1		1	FUEL LINE SHORT W/FERRULES
9	89396A38		1	PRIME BULB
10	32-817738A1		1	FUEL LINE LONG W/CLAMP AND FERRULE
11	F97772		1	FUEL LINE CLAMP
12	F17932		1	SEAL, FUEL TANK ADAPTER
-	FS409752		1	FUEL LINE COMPLETE
-	FC409398		1	DECAL, TOTE TANK - CANADA (NOT SHOWN)

REMOTE CONTROL

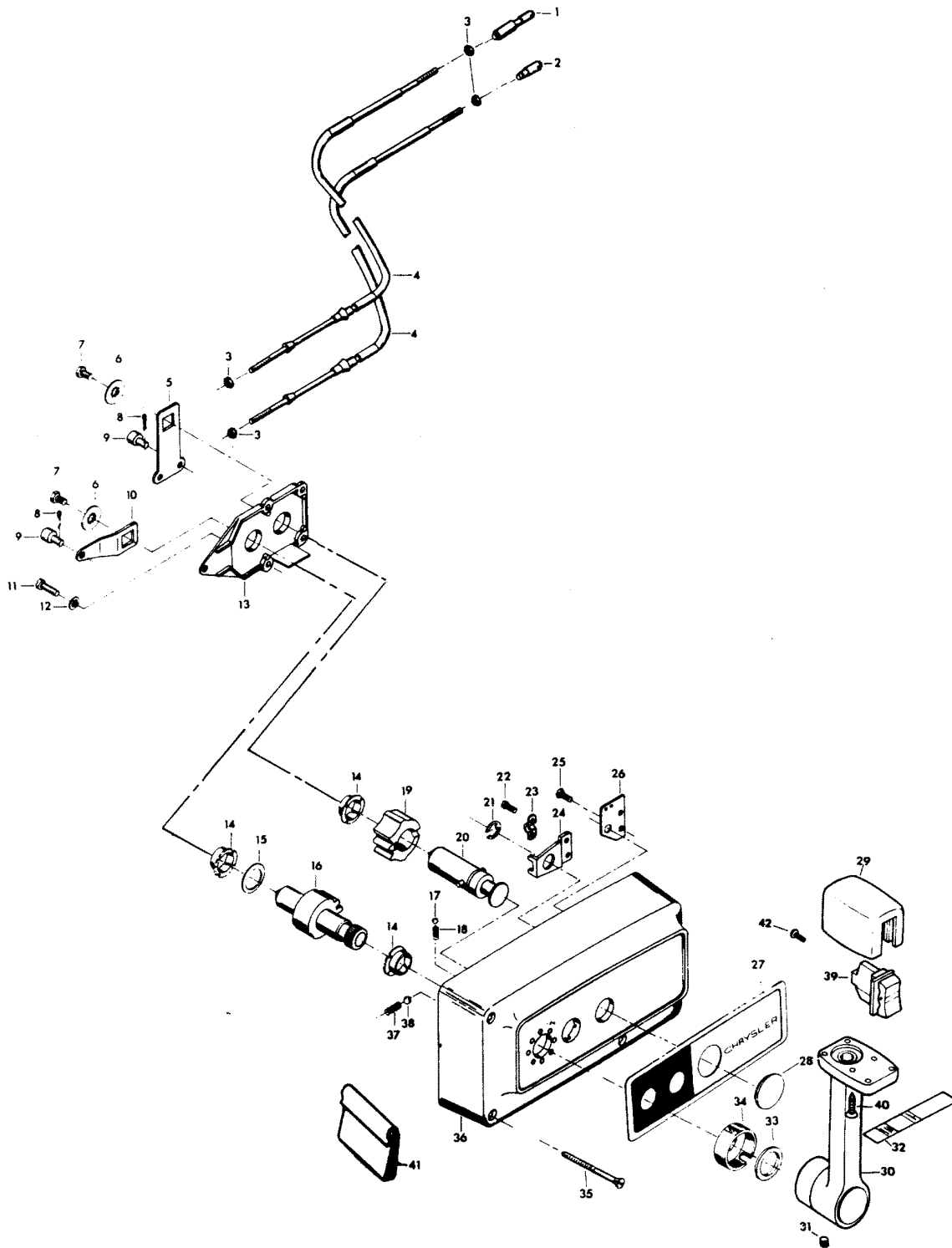


REMOTE CONTROL

REF. NO.	PART NO.	SYM.	QTY.	DESCRIPTION
1	FA58976-1		1	CONNECTOR, THROTTLE CABLE
2	F58685-2		1	CONNECTOR, SHIFT CABLE
3	F1513		4	HEX NUT
4	ÄF58356//		2	REMOTE CONTROL CABLE (SPECIFY LENGTH)
5	F17019		1	CLUTCH ARM
6	F17036		2	INTERNAL TOOTH LOCKWASHER
7	F1715		2	HEX BOLT, 1/4 - 28 X 9/16
8	F17149		2	COTTER PIN
9	F17016		2	CABLE TERMINAL
10	F17014		1	THROTTLE ARM
11	F17013		2	FILL HD SCREW, 1/4 - 20 X 1/2
12	F17147		2	INTERNAL TOOTH LOCKWASHER
13	F17012		1	RETAINING PLATE
14	F17009		3	BEARING
15	F17011		1	BOWED WASHER
16	F17010-1		1	THROTTLE GEAR
17	F17111		1	DETENT BALL
18	F17006		1	DETENT SPRING
19	F17021		1	CLUTCH GEAR
20	F17100		1	CLUTCH SHAFT
21	F17092		1	SNAP RING
22	F17071		2	FILL HD SCREW, 10 - 24 X 5/16
23	F154317		1	CABLE CLAMP
24	F17026		1	SWIVEL
25	F1557		2	FLAT HD SCREW, 10 - 24 X 3/8
26	F17112		1	JUNCTION BOARD, STARBOARD
-	F17113		1	JUNCTION BOARD, PORT
27	F17148		1	DECAL, STARBOARD
-	F531892		1	DECAL, PORT
28	F17031-1		1	SNAP CAP
29	F448543		1	KNOB
30	F448611-1		1	LEVER
31	F445690		1	SET SCREW
32	F449894		1	INDICATOR - STARBOARD
-	F448894		1	INDICATOR - PORT
33	F17105		1	FELT WASHER
34	F17106		1	COLLAR
35	F17146		3	WOOD SCREW
36	F17099-1		1	HOUSING
37	F17068		1	DETENT SPRING
38	F17082-1		1	DETENT BALL
39	F455449		1	SWITCH, TRIM
40	F1461		2	SCREW #6 X 7/8

CONTINUED ON NEXT PAGE ➡

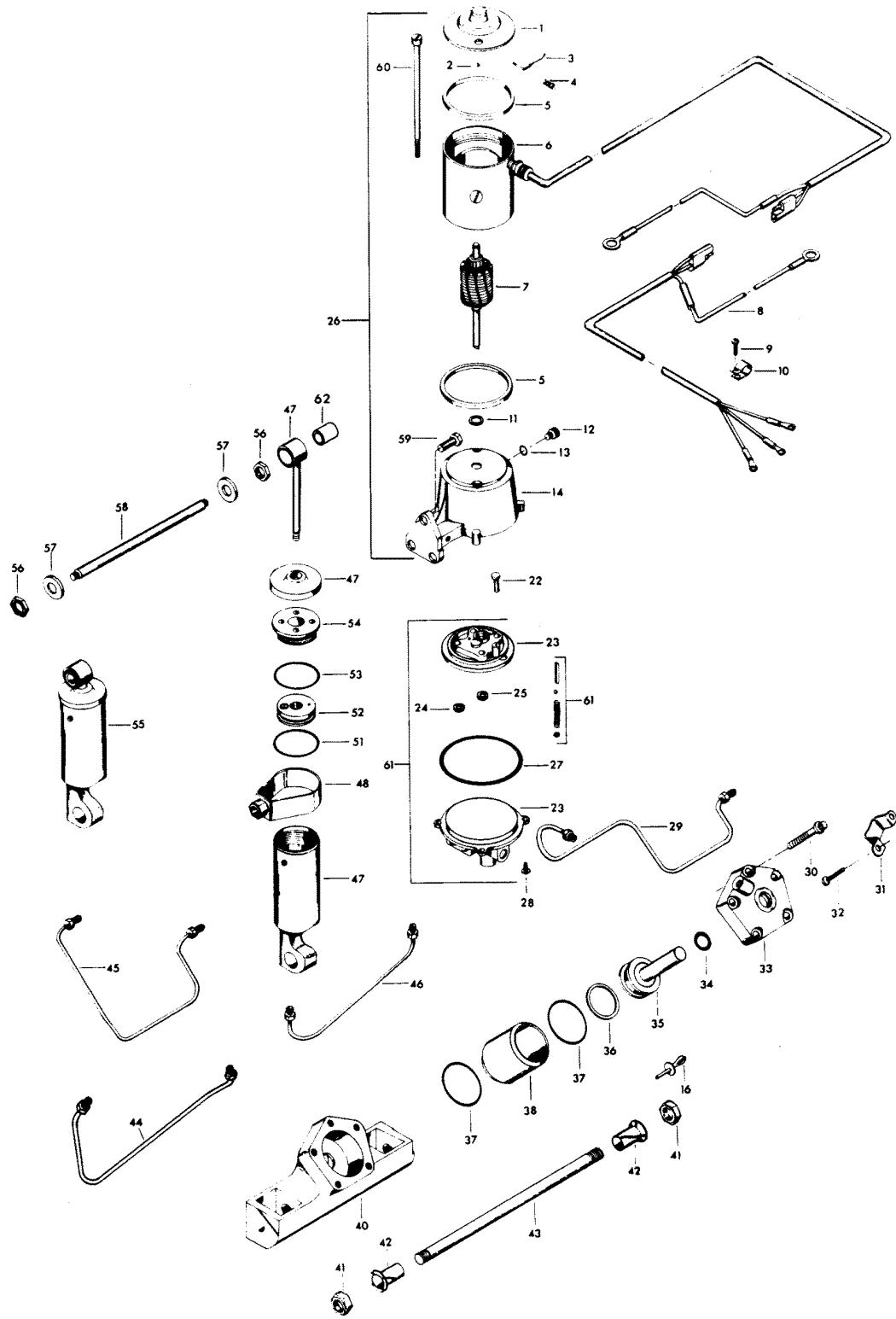
REMOTE CONTROL



REMOTE CONTROL

REF. NO.	PART NO.	SYM.	QTY.	DESCRIPTION
41	F448446		1	CLAMP, TRIM SWITCH CABLE
-	F1280		2	PAN HD SCREW, 8 - 32 X 1/4 (TERMINAL BOARD) (NOT SHOWN)
-	OB3061		1	LITERATURE, INSTALLATION INSTRUCTIONS (NOT SHOWN)
-	F17103-1		1	BAG ASSEMBLY (NOT SHOWN) INCLUDES ITEMS MARKED WITH AN ASTERISK (*)
42	F1280		3	PAN HD SCREW, 8 - 32 X 1/4

POWER TRIM UNIT

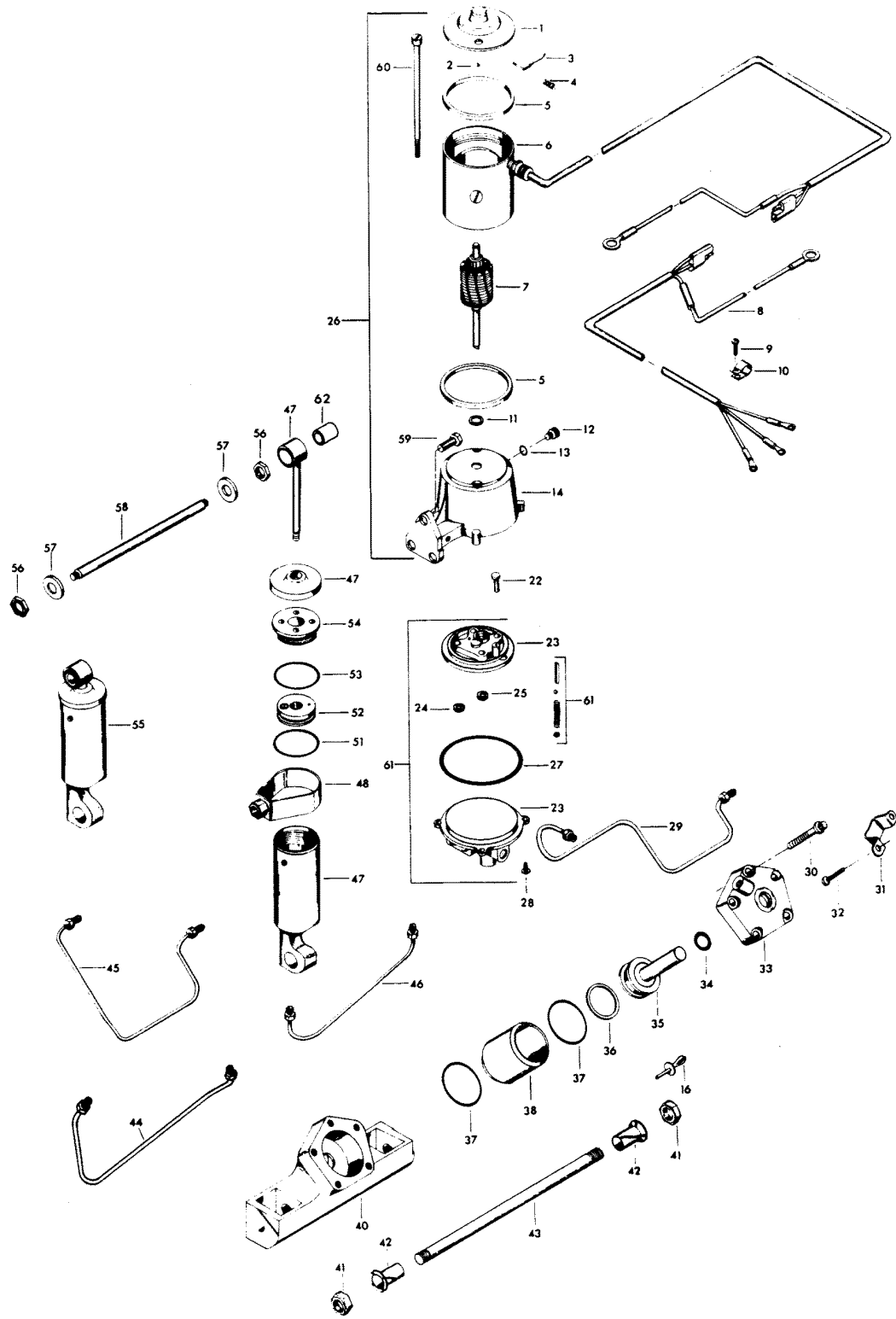


POWER TRIM UNIT

REF. NO.	PART NO.	SYM.	QTY.	DESCRIPTION
1	F17543		1	HEAD ASSEMBLY, COMMUTATOR END
2	F17539		1	BALL
3	F17504		1	BRUSH SET
4	F17500		1	SPRING SET
5	F17557		2	GASKET
6	F17556		1	FIELD AND FRAME ASSEMBLY
7	F17555		1	ARMATURE
8	F500843		1	CABLE
9	F1741		2	THREAD FORMING SCREW, 8 X 3/4
10	F178446		2	CLAMP
11	F17508		A/R	THRUST WASHER
12	F17518		1	FILLER CAP
13	F17510		1	"O" RING
14	F17505		1	RESERVOIR AND BRACKET W/SEAL
16	F1966		1	PLUG, SWIVEL BRACKET
22	F1203		1	HEX CAP SCREW, 1/4 - 20 X 7/8
23	F17564		1	VALVE BODY AND PUMP
24	F17566		1	IDLE GEAR
25	F17565		1	DRIVE GEAR
26	F17563		1	MOTOR AND RESERVOIR
27	F17522		1	"O" RING
28	F1310		4	ROUND HD SCREW, 10 - 24 X 5/8
29	F449254		1	HYDRAULIC LINE, TRIM CYLINDER, UPPER
30	F1959		5	SCREW, 1/4 - 20 X 1-3/4, STAINLESS STEEL
31	F449354		1	THRUST BRACKET
32	F1734		2	SCREW AND LOCKWASHER, 1/4 - 20 X 1/2
33	FA449149		1	COVER W/SEALS AND RETAINER
34	F449342		1	SEAL, PISTON SHAFT
35	FA449015		1	PISTON
36	F449278		1	PISTON SEAL
37	F40278		2	SEAL, CYLINDER
38	F449010		1	CYLINDER
40	F449545-2		1	CYLINDER HOUSING
41	F1963		2	NUT, 5/8 - 18
42	F178362		2	BEARING
43	F449632		1	SHAFT
44	F449253-1		1	HYDRAULIC LINE, TRIM CYLINDER, LOWER
45	F449758		1	HYDRAULIC LINE, LIFT CYLINDER, UPPER
46	F449754-1		1	HYDRAULIC LINE, LIFT CYLINDER, LOWER
47	FA17559		1	LIFT CYLINDER COMPLETE
48	F17577		1	ADAPTER FITTING PACKAGE
49	F17577		1	ADAPTER FITTING PACKAGE
50	F17577		1	ADAPTER FITTING PACKAGE

CONTINUED ON NEXT PAGE ➡

POWER TRIM UNIT



POWER TRIM UNIT

REF. NO.	PART NO.	SYM.	QTY.	DESCRIPTION
51	F17561-1		1	"O" RING
52	F17562-1		1	PISTON ASSEMBLY
53	F17528		1	"O" RING
54	F17560		1	HEAD ASSEMBLY
55	FA178962		1	SHOCK ABSORBER W/BUSHING
56	F1931		2	NUT, 1/2 - 20, STAINLESS STEEL
57	F1960		2	PLAIN WASHER
58	F449889		1	SHAFT, UPPER
59	F1822		3	SCREW, 5/16 - 18 X 7/8, STAINLESS STEEL
60	F17558		1	THRU-BOLT PACKAGE
61	F17568		1	HYDRAULIC PUMP AND VALVE ASSEMBLY
-	F1877		2	TY-RAP (NOT SHOWN)
62	F178344		2	BUSHING, SHOCK ABSORBER - UPPER

SPECIAL TOOLS - TUNE-UP

REF. NO.	PART NO.	SYM.	QTY.	DESCRIPTION
-	FT8948-1		0	PULLER TO REMOVE FLYWHEEL.
-	FTA2937-1		0	TIMING TOOL TO ADJUST TIMING POINTER.
-	FT8978		0	POWER TIMING LIGHT FOR ADJUSTMENT OF ENGINE TIMING.
-	FT2951		0	CIRCUIT TRACER TO TROUBLESHOOT ELECTRICAL SYSTEM.

SPECIAL TOOLS - POWER HEAD

REF. NO.	PART NO.	SYM.	QTY.	DESCRIPTION
-	FT8914		0	SEAL REMOVER TO REMOVE UPPER CRANKSHAFT BEARING CAGE SEAL.
-	FT8927		0	SEAL PROTECTOR TO INSTALL UPPER CRANKSHAFT BEARING CAGE.
-	FT8907		0	DRIVE HANDLE USED WITH T8903.
-	FT8925		0	SEAL INSTALLER TO INSTALL LOWER CRANKSHAFT SEAL.
-	FT2953		0	SOCKET TO TORQUE CONNECTING ROD SCREWS.
-	FT2990		0	PISTON PIN TOOL TO REMOVE AND INSTALL PISTON PINS.
-	FTA8994		0	PISTON PIN TOOL USE WITH T2990.
-	FT2996		0	RING COMPRESSOR TO INSTALL PISTON IN CYLINDER.
-	FT8926		0	RING EXPANDER TO INSTALL PISTON RINGS.
-	FT8903		0	SEAL INSTALLER TO INSTALL UPPER CRANKSHAFT BEARING CAGE SEAL.
-	FT1082		0	SNAP RING PLIER TO REMOVE AND INSTALL DISTRIBUTOR RETAINING RING.

SPECIAL TOOLS - GEAR HOUSING

REF. NO.	PART NO.	SYM.	QTY.	DESCRIPTION
-	FT8948-1		0	PULLER TO REMOVE SPOOL FROM GEAR HOUSING.
-	FT8985		0	SEAL INSTALLER TO INSTALL PROPELLER SHAFT SEAL IN PROPELLER SHAFT BEARING SPOOL.
-	FT8925		0	SEAL INSTALLER TO INSTALL DRIVESHAFT SEAL IN GEAR HOUSING COVER.
-	FT8907		0	DRIVER HANDLE TO INSTALL BEARING CUPS AND SEALS.
-	FT8901		0	INDICATOR HOLDER USED IN CONJUNCTION WITH T8997.
-	FT8902		0	DIAL INDICATOR USED IN CONJUNCTION WITH T8997.
-	FT8919		0	SPRING PIN PUNCH TO REMOVE CLUTCH SPRING PIN.
-	FT8957		0	SEAL INSTALLER TO INSTALL SHIFT ROD SEAL.
-	FT8997		0	SHIMMING TOOL TO SHIM LOWER UNIT.
-	FT8918		0	BEARING GUIDE SET TO REMOVE FORWARD BEARING CUP IN GEAR HOUSING.
-	FT11209		0	BEARING GUIDE SET USE WITH T8918.
-	FT11207		0	BEARING CUP REMOVER TO REMOVE FORWARD BEARING CUP IN GEAR HOUSING.
-	FT11204		0	BEARING CUP INSTALLER TO INSTALL FORWARD BEARING CUP IN GEAR HOUSING.
-	FT3012		0	SEAL INSTALLER TO INSTALL WATER PUMP SEAL.
-	FT11205		0	BEARING INSTALLER/REMOVER TO INSTALL AND REMOVE LOWER DRIVESHAFT BEARING IN GEAR HOUSING.
-	FT7848		0	TORQUING ADAPTER HOLD DRIVESHAFT WHILE INSTALLING OR REMOVING PINION NUT.

SPECIAL TOOLS - TEST EQUIPMENT

REF. NO.	PART NO.	SYM.	QTY.	DESCRIPTION
-	FT8933		0	LIFTING HOOK TO LIFT ENGINE.
-	FT8950		0	LEAKAGE TESTER TO TEST LOWER UNIT SEALS FOR LEAKAGE.
-	FTK8999		0	TEST WHEEL TO TEST MOTOR IN TEST TANK. ORIGINAL FORCE P/N TA8999
-	FT8953		0	IGNITION TESTER TO TEST OUTPUT OF C-D UNIT.

SPECIAL TOOLS - LUBRICANTS AND SEALANTS

REF. NO.	PART NO.	SYM.	QTY.	DESCRIPTION
-	FT2961		0	LUBRICANT
-	FT2987-1		0	LUBRICANT
-	FT8969		0	LUBRICANT
-	FT8955		0	SEALANT
-	FT8993		0	SEALANT
-	FT8936		0	SEALANT
-	FT2962-1		0	SEALANT
-	FT2963-1		0	SEALANT
-	FT8935		0	SEALANT PRIMER

SPECIAL TOOLS - DECAL REPAIR SHEET

REF. NO.	PART NO.	SYM.	QTY.	DESCRIPTION
-	T11227		0	DARK BROWN REPAIR DECALS ON ENGINE COVERS.
-	T11228		0	DARK METALLIC BROWN REPAIR DECALS ON ENGINE COVERS AND LEG.
-	T11229		0	SAND TAN REPAIR DECALS ON ENGINE COVERS.
-	T11230		0	ORANGE REPAIR DECALS ON ENGINE COVERS AND LEG.
-	T11231		0	GOLD REPAIR DECALS ON ENGINE COVERS AND LEG.

ACCESSORIES

REF. NO.	PART NO.	SYM.	QTY.	DESCRIPTION
-	F5H014		0	FLUSHING ADAPTER PERMITS FRESH WATER FLUSHING OF WATER PASSAGES WITH STANDARD GARDEN HOSE.
-	F5H130		0	REMOTE CONTROL BOX (SINGLE LEVER) (SURFACE MOUNT) PERMITS REMOTE CONTROL OF THROTTLE AND GEAR SHIFT FROM STARBOARD SIDE OF BOAT.
-	F5H120		0	REMOTE CONTROL BACK PLATE PROTECTS CONTROL MECHANISM FROM PADDED BOAT SURFACES.
-	F5H131		0	PORT SIDE DECAL KIT CONVERTS 5H130 CONTROL BOX TO PORT SIDE MOUNTING.
-	F590		0	REMOTE CONTROL HEAD (SINGLE LEVER) FLUSH MOUNT CONTROL UNIT PERMITS REMOTE CONTROL OF THROTTLE AND GEAR SHIFT. MAY BE MOUNTED ON PORT OR STARBOARD SIDE OF BOAT.
-	865		0	TWIN REMOTE CONTROL BOX PERMITS REMOTE CONTROL OF THROTTLE, AND GEAR SHIFT ON TWIN ENGINE INSTALLATIONS. MAY BE MOUNTED ON PORT OR STARBOARD SIDE OF BOAT.
-	F5H079		0	REMOTE CONTROL BOX FOR MOUNTING ON CONSOLE OF BOAT.
-	F5H080		0	TWIN REMOTE CONTROL BOX FOR MOUNTING ON CONSOLE OF BOAT.
-	F195/___		0	REMOTE CONTROL CABLES CONNECTS REMOTE CONTROL BOX TO THROTTLE AND GEAR SHIFT ON ENGINE. AVAILABLE IN 6 THROUGH 40 FOOT LENGTHS.
-	F5H108		0	STEERING CONNECTOR CLEVIS TYPE FOR BOAT MOUNTED STEERING AND NON THREADED CABLE END.
-	F5H018		0	DUAL ENGINE TIE BAR PERMITS DUAL ENGINE INSTALLATIONS.
-	F5H094		0	STEERING LINK CONNECTS ENGINE TO REMOTE STEERING CABLE.
-	F5H026		0	STEEL, 6 GALLON FUEL TANK (LOW PROFILE) AUXILIARY TANK.
-	F5H029		0	TANK ANCHOR SECURES 5H026 TO BOAT.
-	F5H040		0	STEEL, 12 GALLON FUEL TANK AUXILIARY TANK.
-	F5H019		0	ANTI-CORROSION KIT ELECTRICAL KIT FOR MOUNTING ON BOAT (12V) TO REDUCE CORROSION.
-	F5H025		0	ANTI-CORROSION SACRIFICIAL ANODE KIT USED TO REDUCE CORROSION.
-	F5H043		0	OVERHEAT BUZZER SOUNDS WARNING BUZZER IF ENGINE OVERHEATS.
-	479		0	OVERHEAT LAMP WARNS OF ENGINE OVERHEATING. DO NOT USE GAUGE AND LAMP IN SAME INSTALLATION.
-	F5H010		0	POWER TRIM INDICATOR INDICATES ENGINE TRIM ANGLE. (FLUSH MOUNT).
-	F5H134		0	BOAT WHITE LACQUER ENGINE TOUCH-UP PAINT IN 12-3/4 OZ. SPRAY BOMBS (6 CANS PER CASE).
-	F5H135		0	SAND TAN LACQUER ENGINE TOUCH-UP PAINT IN 12-3/4 OZ. SPRAY BOMBS (6 CANS PER CASE).
-	F5H081		0	BATTERY CABLE LONGER LENGTH - 15 FEET.

CONTINUED ON NEXT PAGE ➡

ACCESSORIES

REF. NO.	PART NO.	SYM.	QTY.	DESCRIPTION
-	71H06		0	AMMETER - FLUSH MOUNT INDICATES ALTERNATOR OUTPUT.
-	F5H006		0	VOLTMETER - FLUSH MOUNT INDICATES BATTERY CONDITION.
-	71H25		0	CHARGE INDICATOR LAMP INDICATES ALTERNATOR OUTPUT.
-	F5H007		0	HOURMETER - FLUSH MOUNT RECORDS ENGINE RUNNING TIME.
-	5H111		0	INSTRUMENT ADAPTER - 2" PROVIDES SURFACE MOUNTING OF INSTRUMENTS.
-	F5H112		0	INSTRUMENT ADAPTER - 3-1/2" PROVIDES SURFACE MOUNTING OF INSTRUMENTS.
-	F5H119		0	PROPELLER SPACER - FLARED REDUCES PROPELLER VENTILATION ON SOME BOAT APPLICATIONS.
-	F5H069		0	RFI SUPPRESSION KIT PROVIDES RADIO NOISE SUPPRESSION.
-	5H048		0	CANVAS HOOD PROTECTION FOR ENGINE COVER.
-	5H051		0	BATTERY, 74 AMP. 12 VOLT HEAVY DUTY BATTERY.
-	F5H041		0	BATTERY TERMINAL KIT ADAPTS MODEL 5H051 BATTERY TERMINALS FOR CONNECTIONS TO CABLE ON ENGINE.
-	F5H021		0	EXTENSION CABLE FOR LENGTHENING BATTERY CABLE 6-1/2 FEET.
-	F5H037		0	CIGAR LIGHTER FOR USE AS CONVENIENCE OUTLET.
-	168		0	CONTROL PANEL FOR MOUNTING LAMPS, SWITCHES, ETC.
-	F5H008		0	FUEL GAUGE FLUSH MOUNT MONITORS FUEL SUPPLY.
-	F5H076		0	SWITCH EXTENSION CABLE 5 FOOT LONG SWITCH WIRING HARNESS.
-	F5H077		0	IGNITION KEY SWITCH SHORT BARREL WITH KEYS.
-	F5H078		0	IGNITION KEY SWITCH LONG BARREL WITH KEYS.
-	478		0	IGNITION LAMP INDICATES WHEN IGNITION SWITCH IS "ON".
-	F762		0	REMOTE ELECTRIC CABLE 25 FOOT CABLE FOR LARGE BOATS.
-	5H082		0	REMOTE ELECTRIC CABLE 35 FOOT CABLE FOR LARGE BOATS.
-	F5H070		0	REMOTE ELECTRIC CABLE 21 FOOT CABLE FOR LARGE BOATS.
-	F5H028		0	SENDING UNIT FOR USE WITH FUEL GAUGE.
-	F5H005		0	TEMPERATURE GAUGE - FLUSH MOUNT MONITORS ENGINE TEMPERATURE. DO NOT USE TEMPERATURE GAUGE AND HEAT LAMP IN SAME INSTALLATION.
-	F5H012		0	TACHOMETER FLUSH MOUNT MONITORS ENGINE R.P.M. TO PROVIDE CHECK OF ENGINE PERFORMANCE.
-	F5H128		0	POWER TRIM ADJUSTS ENGINE TRIM AND TILTS ENGINE.
-	F5H004		0	SPEEDOMETER FLUSH MOUNT MONITORS BOAT SPEED (0-50 M.P.H.)
-	F5H002		0	SPEEDOMETER - FLUSH MOUNT MONITORS BOAT SPEED (0-65 M.P.H.)

CONTINUED ON NEXT PAGE ➡

ACCESSORIES

REF. NO.	PART NO.	SYM.	QTY.	DESCRIPTION
-	F5H076		0	SWITCH EXTENSION CABLE 5 FOOT LONG SWITCH WIRING HARNESS.
-	F5H003		0	SPEEDOMETER FLUSH MOUNT MONITORS BOAT SPEED (TO 100 KM/H).
-	F5H030		0	SWITCH KIT - RUNNING LIGHTS DASH MOUNTED TOGGLE SWITCH
-	F5H031		0	SWITCH KIT - SPOT LIGHT DASH MOUNTED TOGGLE SWITCH
-	F5H032		0	SWITCH KIT - WIPER DASH MOUNTED TOGGLE SWITCH
-	F5H034		0	SWITCH KIT - BILGE PUMP DASH MOUNTED TOGGLE SWITCH
-	F5H035		0	SWITCH KIT - HORN DASH MOUNTED TOGGLE SWITCH
-	F5H039		0	SWITCH KIT - INSTRUMENT LIGHTS DASH MOUNTED TOGGLE SWITCH
-	F5H036		0	SWITCH KIT - TACHOMETER TRANSFER FOR ONE TACHOMETER ON DUAL ENGINE INSTALLATION.
-	F5H038		0	SWITCH KIT - IGNITION SWITCH TO MOUNT IGNITION SWITCH IN DASH.
-	F563		0	TERMINAL BLOCK KIT DOUBLE ROW 10 SECTION, TO SIMPLIFY ACCESSORY INSTALLATION.
-	479		0	UNIMOUNT UNDER DASH MOUNT FOR INDICATOR LIGHTS AND IGNITION SWITCH.
-	F5H075		0	WIRING HARNESS - IGNITION SWITCH - 24" USE WITH 563 TERMINAL BLOCK.
-			0	CHRYSLER OUTBOARD OIL SEE BLOCK COMMENT 1.
-			0	CHRYSLER OUTBOARD GEAR LUBE SEE BLOCK COMMENT 2.
-			0	CHRYSLER OUTBOARD FUEL AID REMOVES MOISTURE, PREVENTS SLUDGE AND VARNISH AND STABILIZES GAS. AVAILABLE IN 16 OZ. CANS AND 12 CAN CASES.
-			0	CHRYSLER OUTBOARD STORAGE LUBRICANT WORKS AS A CORROSION INHIBITOR AND PROTECTS INTERNAL ENGINE PARTS DURING STORAGE. AVAILABLE IN 16 OZ. CANS AND 12 CAN CASES.
-			0	CHRYSLER OUTBOARD MULTI-PURPOSE SPRAY LUBE WORKS AS A LUBRICANT, CLEANER, MOISTURE REMOVER AND ELECTRIC INSULATOR. AVAILABLE IN 9 OZ. CANS AND 12 CAN CASES.
-			0	CHRYSLER OUTBOARD MULTI-PURPOSE GREASE LUBRICATES BEARINGS AND OTHER MOVING PARTS. AVAILABLE IN 8 OZ. TUBES AND 12 TUBE CASES.
-			0	CHRYSLER OUTBOARD GREASE GUN USED WITH CHRYSLER OUTBOARD MULTI-PURPOSE GREASE TUBES FOR PRESSURE FITTINGS.
-			0	CHRYSLER OUTBOARD MULTI-PURPOSE CLEANER

PARTS INDEX

Part Number	Description	Pg.	Ref. No.	Part Number	Description	Pg.	Ref. No.
ÄF58356//	REMOTE CONTROL CABLE (SPECIFY LENGTH)	37	4	F1280	PAN HD SCREW 8 - 32 X 1/4	31	63
168	CONTROL PANEL	51	-	F1280	PAN HD SCREW, 8 - 32 X 1/4	39	42
3C553944	ENGINE COVER COMPLETE	3	-	F1280	PAN HD SCREW, 8 - 32 X 1/4 (TERMINAL BOARD) (NOT SHOWN)	39	-
478	IGNITION LAMP	51	-	F1280	SCREW, 8 - 32 X 1/4	7	33
479	OVERHEAT LAMP	50	-	F1310	ROUND HD SCREW, 10 - 24 X 5/8	41	28
479	UNIMOUNT	52	-	F1346	HEX NUT	21	29
480373	DECAL, MAGNAPOWER IGNITION	9	55	F1346	HEX NUT	29	22
481373-1	DECAL, "ELECTRONIC" NOT SHOWN	15	-	F14005-2	CAP BASE	13	37
5H048	CANVAS HOOD	51	-	F14007	CAP SCREW	13	33
5H051	BATTERY, 74 AMP.	51	-	F14010-1	CAP COVER	13	34
5H082	REMOTE ELECTRIC CABLE	51	-	F14012-1	BRUSH	13	39
5H111	INSTRUMENT ADAPTER - 2"	51	-	F14015	CAP CLIP RIVET	13	21
71H06	AMMETER - FLUSH MOUNT	51	-	F14017	TERMINAL INSULATOR (OUTSIDE)	15	46
71H25	CHARGE INDICATOR LAMP	51	-	F14021-1	CAP SEAL	13	36
817747--1	BALL JOINT W/STUD	21	23	F14024	SPACER	15	42
817783A5	SWIVEL BRACKET W/BEARINGS & GREASE FITTINGS	29	39	F14025	SPACER	13	4
817786A1	DISTRIBUTOR PULLEY	13	3	F14028	THRUST WASHER	13	5
817788A3	SPACER PLATE W/PLUG	23	73	F14029	THRUST WASHER	13	7
817828A1	DISTRIBUTOR	15	-	F14030	CAP GASKET	13	38
817892--1	PLATE, IGNITION SWITCH CANADA	9	-	F14036	SWIVEL	13	13
817931A7	MOTOR LEG COVER REAR	29	6	F14037	CAP CLIPS	13	14
865	TWIN REMOTE CONTROL BOX	50	-	F14038	CAP CLIP SCREWS	13	15
89396A38	PRIME BULB	35	9	F14040	VENT	13	35
A552396	DECAL, ENGINE COVER STBD.	3	-	F14041	EXTERNAL TOOTH LOCKWASHER	13	23
A552397	DECAL, ENGINE COVER PORT	3	4	F14042	DISTRIBUTOR HOUSING W/BEARINGS	13	12
A553391	DECAL - LEG (STBD)	29	-	F14044	DISTRIBUTOR SHAFT	13	40
A553392	DECAL - LEG (PORT)	29	1	F14045	SCREW	13	16
A85135-3	LEG COVER FRONT	31	43	F14046	TERMINAL SCREW	13	19
C523227	SPARK PLUG (CHAMPION QL-76V) - CANADA. FOR MODEL T111500B9A	23	-	F14047	TERMINAL INSULATOR (INSIDE)	13	20
F10023	GASKET SET (NOT SHOWN)	19	-	F14049	TERMINAL INSULATOR (OUTSIDE)	13	22
F10103	REPAIR PARTS KIT	19	53	F14056	SCREW	15	47
F1014	COTTER PIN	17	30	F1425	HEX CAP SC, 1/4 - 20 X 5/8	33	-
F1015	COTTER PIN	31	46	F1425	HEX CAP SCREW, 1/4 - 20 X 1-5/8	31	62
F1034	SCREW, 1/4 - 20 X 1-3/8	17	6	F1447	ROUND HD SCREW, 2 X 3/16	3	19
F1059	FILL HD SCREW, 6 - 32 X 1/4	19	43	F1461	SCREW #6 X 7/8	37	40
F1064	FILL HD SCREW, 8 - 32 X 3/8	17	3	F1473	HEX NUT	3	36
F1107	SLOTTED FILL HD CAP SCREW, 1/4 - 20 X 3/4	23	76	F1475	FILL HD SCREW, 10 - 24 X 1/2	25	103
F1108	FILL HD SCREW, 1/4 - 20 X 3/4	21	13	F1502	HEX CAP SCREW, 1/4 - 20 X 5/8	11	18
F1203	HEX CAP SCREW, 1/4 - 20 X 7/8	25	107	F1502	HEX CAP SCREW, 1/4 - 20 X 5/8	21	5
F1203	HEX CAP SCREW, 1/4 - 20 X 7/8	41	22	F1502	SCREW, 1/4 - 20 X 5/8	3	20
F1236	SCREW, 1/4 - 20 X 1/2	21	22	F15034	SPRING SET	11	22
F1238	HEX CAP SCREW, 1/4 - 20 X 3/4	3	14	F15054	BRUSH AND TERMINAL SET	11	12
F1263	HEX SOCKET HD CAP SCREWS, 5/16 - 18 X 9/16	29	13	F15057	BRUSH PLATE AND HOLDER ASSEMBLY	11	23
				F15099	ARMATURE	11	10
				F15118	BENDIX DRIVE ASSEMBLY	11	5

PARTS INDEX

Part Number	Description	Pg.	Ref. No.	Part Number	Description	Pg.	Ref. No.
F15126	THRUST WASHER PACKAGE	11	9	F17092	SNAP RING	37	21
F1513	HEX NUT	7	18	F17099-1	HOUSING	37	36
F1513	HEX NUT	37	3	F17100	CLUTCH SHAFT	37	20
F1513	HEX NUT, 10 - 32	21	27	F17103-1	BAG ASSEMBLY (NOT SHOWN)	39	-
F1515	HEX NUT	7	24	F17105	FELT WASHER	37	33
F15166	FRAME AND FIELD ASSEMBLY	11	11	F17106	COLLAR	37	34
F15167	HEAD ASSEMBLY, DRIVE END	11	8	F17111	DETENT BALL	37	17
F15168	THRU BOLT PACKAGE	11	16	F17112	JUNCTION BOARD, STARBOARD	37	26
F1528	WELCH PLUG	29	33	F17113	JUNCTION BOARD, PORT	37	-
F154317	CABLE CLAMP	37	23	F17146	WOOD SCREW	37	35
F1557	FLAT HD SCREW, 10 - 24 X 3/8	37	25	F17147	INTERNAL TOOTH LOCKWASHER	37	12
F1593	HEX HD SCREW, 3/8 - 16 X 3	29	20	F17148	DECAL, STARBOARD	37	27
F1612	HEX CAP SCREW, 3/8 - 16 X 1-1/4	13	8	F17149	COTTER PIN	37	8
F1641	LOCK NUT, 1/4 - 28	11	6	F1715	HEX BOLT, 1/4 - 28 X 9/16	37	7
F1645	RD HD SCREW, 6 - 32 X 1/4	23	50	F1729	PLUG	29	5
F1645	SCREW, 6 - 32 X 1/4	7	27	F1730	PAN HD SCREW W/SPRING LOCKWASHER, 1/4 - 20 X 5/8	3	8
F1647	HEX NUT, 8 - 32	7	6	F1733	PAN HD MACHINE SCREW, 10 - 24 X 9/16	3	2
F1647	HEX NUT, 8 - 32	13	24	F1734	FILL HD SCREW W/LOCKWASHER, 1/4 - 20 X 1/2	7	14
F1647	HEX NUT, 8 - 32	23	96	F1734	SCREW AND LOCKWASHER, 1/4 - 20 X 1/2	41	32
F1648	PAN HD SCREW, 10 - 24 X 3/4	7	16	F1741	SCREW, 8 X 3/4	7	35
F1664	SPRING PIN	29	7	F1741	THREAD FORMING SCREW, 8 X 3/4	41	9
F1678	FILL HD SCREW, 10 - 24 X 13/16	7	2	F17500	SPRING SET	41	4
F1689	HEX HD CAP SCREW, 1/4 - 20 X 1/2	9	42	F17504	BRUSH SET	41	3
F1692	WOODRUFF KEY	13	41	F17505	RESERVOIR AND BRACKET W/SEAL	41	14
F1693	TIE BAR RETAINER NUT	17	4	F17508	THRUST WASHER	41	11
F1696	SCREW, 5/16 - 18 X 1-3/4	29	17	F17510	"O" RING	41	13
F17006	DETENT SPRING	37	18	F17518	FILLER CAP	41	12
F17009	BEARING	37	14	F17522	"O" RING	41	27
F17010-1	THROTTLE GEAR	37	16	F17528	"O" RING	43	53
F17011	BOWED WASHER	37	15	F17539	BALL	41	2
F17012	RETAINING PLATE	37	13	F17543	HEAD ASSEMBLY, COMMUTATOR END	41	1
F17013	FILL HD SCREW, 1/4 - 20 X 1/2	37	11	F1755	ROUND HD SCREW W/LOCKWASHER 6 - 32 X 1/4	21	38
F17014	THROTTLE ARM	37	10	F17555	ARMATURE	41	7
F17016	CABLE TERMINAL	37	9	F17556	FIELD AND FRAME ASSEMBLY	41	6
F17019	CLUTCH ARM	37	5	F17557	GASKET	41	5
F17021	CLUTCH GEAR	37	19	F17558	THRU-BOLT PACKAGE	43	60
F17026	SWIVEL	37	24	F17560	HEAD ASSEMBLY	43	54
F1703	LOCKWASHER	23	71	F17561-1	"O" RING	43	51
F1703	SPRING LOCKWASHER	31	48	F17562-1	PISTON ASSEMBLY	43	52
F17031-1	SNAP CAP	37	28	F17563	MOTOR AND RESERVOIR	41	26
F17036	INTERNAL TOOTH LOCKWASHER	37	6	F17564	VALVE BODY AND PUMP	41	23
F1704	INTERNAL TOOTH LOCKWASHER	23	49	F17565	DRIVE GEAR	41	25
F1705	HEX CAP SCREW, 1/4 - 20 X 3/4	7	23	F17566	IDLE GEAR	41	24
F17068	DETENT SPRING	37	37	F17568	HYDRAULIC PUMP AND VALVE ASSEMBLY	43	61
F17071	FILL HD SCREW, 10 - 24 X 5/16	37	22				
F17082-1	DETENT BALL	37	38				
F1709	HEX BOLT, 1/4 - 20 X 1-1/8	23	87				

PARTS INDEX

Part Number	Description	Pg.	Ref. No.	Part Number	Description	Pg.	Ref. No.
F17577	ADAPTER FITTING PACKAGE	41	48	F1877	TY-RAP	7	29
F17577	ADAPTER FITTING PACKAGE	41	49	F1877	TY-RAP (NOT SHOWN)	43	-
F17577	ADAPTER FITTING PACKAGE	41	50	F1892	STOP NUT	9	52
F1759	SHIM, DISTRIBUTOR (QTY. AS REQUIRED)	13	11	F1904	PLAIN WASHER	29	21
F1760	PAN HD SCREW, 10 - 24 X 3/8	7	19	F1910	STOP NUT, 1/4 - 20	21	25
F1760	PAN HD SCREW, 10 - 24 X 3/8	13	25	F1912	HEX HD SCREW, 10 - 24 X 1/2	31	51
F177330	FUEL PUMP VALVE	21	10	F1915	HEX HD SCREW, 1/4 - 20 X 7/8	23	44
F1778	PLAIN WASHER	13	9	F1931	NUT, 1/2 - 20, STAINLESS STEEL	43	56
F178168-1	CARBURETOR ADAPTER GASKET	25	-	F1934	SCREW, 6 X 12	9	50
F178168-1	GASKET, CARBURETOR ADAPTER	21	35	F195/_	REMOTE CONTROL CABLES	50	-
F178323	SEAL, MOTOR LEG	29	12	F1950	HEX CAP SCREW, 10 - 24 X 5/8	23	91
F178344	BUSHING, SHOCK ABSORBER - UPPER	43	62	F1953	HEX HD SCREW, 1/4 - 20 X 1	21	20
F178362	BEARING	41	42	F1959	SCREW, 1/4 - 20 X 1-3/4, STAINLESS STEEL	41	30
F178404-1	DEFLECTOR PLATE	21	36	F1960	PLAIN WASHER	43	57
F178446	CLAMP	41	10	F1963	NUT, 5/8 - 18	41	41
F178754-1	FUEL LINE	17	36	F1966	PLUG, SWIVEL BRACKET	41	16
F17932	SEAL, FUEL TANK ADAPTER	35	12	F1968	FLYWHEEL NUT	27	21
F1822	HEX BOLT, 5/16 - 18 X 7/8	31	44	F1975	SPRING LOCKWASHER	7	10
F1822	SCREW, 5/16 - 18 X 7/8, STAINLESS STEEL	43	59	F1975	SPRING LOCKWASHER	13	26
F1831	FLAT HD SCREW, 1/4 - 20 X 5/8	23	43	F197787-3	FUEL LINE COUPLER	35	6
F1832	STOP NUT, 1/4 - 20	23	68	F1987	PLAIN WASHER	23	79
F184033-1	SWIVEL, TOP CARBURETOR	17	33	F1987	PLAIN WASHER	31	55
F184122-1	SEAL	25	-	F1990	HEX CAP SCREW	33	-
F184122-1	SEAL, PARTING LINE	25	101	F1990	HEX CAP SCREW, 1/4 - 20 X 1-5/8	31	60
F184579	"O" RING SEAL	17	32	F1997	STOP NUT, 8 - 32	17	23
F1849	HEX HD CAP SCREW, 1/4 - 20 X 1-3/8	3	9	F1999	HEX CAP SCREW, 1/4 - 20 X 7/8	31	55
F1851	FILL HD SCREW W/LOCKWASHER, 10 - 24 X 1/2	7	39	F2000	HEX CAP SCREW, 5/16 - 18 X 3/4	9	47
F1854	HEX CAP SCREW, 1/4 - 20 X 5/8	3	25	F2000	HEX CAP SCREW, 5/16 - 18 X 3/4	25	99
F1856	PLAIN WASHER	33	72	F2001	FILL HD SCREW, 10 - 24 X 5/8	7	9
F1857	HEX CAP SCREW, 5/16 - 18 X 5/8	3	23	F2015	HEX NUT, 1/4 - 28	25	102
F1857	HEX CAP SCREW, 5/16 - 18 X 5/8	3	35	F2016	FILL HD SCREW, 6 - 32 X 7/8	23	48
F1858	HEX CAP SCREW, 5/16 - 18 X 1	3	24	F2030	HEX HD M. SCREW, 1/4 - 20 X 1-1/4	29	42
F1860	RD HD SCREW, 6 - 32 X 1/4	21	9	F203276	BOOT	13	30
F1864	HEX SLOT HD SCREW, 1/4 - 20 X 3/4	29	4	F2033	GROOVE PIN	17	39
F1866	PLAIN WASHER	33	71	F203673	TERMINAL CLIP	13	31
F1867	HEX CAP SCREW, 3/8 - 16 X 1	27	19	F2042	PLAIN WASHER	25	106
F1869	HEX CAP SCREW, 3/8 - 16 X 1-1/4	23	70	F2047	WAVE SPRING LOCKWASHER	3	30
F1871	HEX HD SCREW, 3/8 - 16 X 3/4	31	49	F2049	HEX CAP SCREW, 5/16 - 18 X 2-5/8	23	78
				F2066	PAN HD TAPPING SCREW, 10 X 7/16 (TRIM TO COVER)	5	38
				F2088	FASTENER	3	10
				F2089	SLOTTED PAN HD M. SCREW 10 - 24 X 5/16	25	105
				F2090	PLUG	23	74
				F2093	STOP NUT 3/8 - 24	31	59
				F2108	LOCK NUT	31	54

PARTS INDEX

Part Number	Description	Pg.	Ref. No.	Part Number	Description	Pg.	Ref. No.
F2108	STOP NUT, 5/16 - 18	23	67	F404470-1	REGULATOR-RECTIFIER	7	8
F213274	GREASE FITTING	13	27	F404513	COIL CLAMP	7	40
F213274	GREASE FITTING	29	31	F404841	CABLE, HEAT INDICATOR	7	37
F213342	SEAL, FUEL LINE COUPLER (LARGE)	35	4	F406406	DEFLECTOR PLATE GASKET	25	-
F213735	SEAL, FUEL LINE COUPLER (SMALL)	35	5	F406406	GASKET DEFLECTOR PLATE	21	37
F235785	DECAL, COMPLIANCE - CANADA (NOT SHOWN)	9	-	F40689-1	BEARING	23	72
F24278	PROPELLER SHAFT SPOOL SEAL	33	-	F407446	CLAMP	7	31
F269319	THROTTLE CAM BEARING	21	26	F409251-1	GAUGE CAP	35	1
F284659-2	BEARING, CRANKSHAFT UPPER MAIN	27	22	F433209-1	THROTTLE CAM STUD	21	32
F289446-1	CLAMP	7	12	F438066	BY-PASS VALVE COVER	23	92
F298788	FERRULE	35	7	F438129	SEAL, DRIVESHAFT SPLINE	33	70
F2A550706	GEAR HOUSING COVER W/SEALS	31	52	F438165	SCREW, FUEL PUMP BOWL	21	18
F307317	CLIP, TERMINAL BLOCK	7	17	F438169	BEARING	29	35
F316579	SEAL, CRANKCASE	27	11	F438271	RETAINER, CRANKSHAFT SPLINE SEAL	33	69
F316599	SEAL, STEERING TUBE	29	30	F438346	SHOCK MOUNT LOWER	31	47
F319908	GROUND WIRE - CANADA	9	57	F438398	DECAL, WIRING - USA	23	86
F321756	PACKING, COVER	3	31	F438500	FUEL SEDIMENT BOWL	21	17
F321841-3	LEAD WIRE	13	32	F438617	FUEL SEDIMENT BOWL GASKET	21	15
F322273	STUD, C.D. UNIT	9	48	F438653	FUEL SEDIMENT BOWL SCREEN	21	16
F333316	THROTTLE ROLLER SHAFT	17	19	F438668	RETAINER, CABLE CLAMP	7	13
F333480-1	RETAINER, ENGINE COVER	3	37	F438744-1	WIRING HARNESS	7	4
F335215	SPACER, PISTON PIN (2 PER PISTON)	27	3	F438747	FUEL PUMP DIAPHRAGM	21	8
F335217-1	BEARING, PISTON PIN (26 PER SET)	27	5	F438754	FUEL LINE	17	42
F335654-1	DEFLECTION STOP	3	21	F438760	FUEL PUMP GASKET	21	4
F338618-1	GEAR SHIFT ROD SEAL	33	-	F438801	FITTING	21	14
F338618-1	SEAL, GEAR SHIFT ROD	29	16	F438841-1	LEAD WIRE - CANADA	13	-
F338618-1	SEAL, GEAR SHIFT ROD	31	53	F438905	COIL WIRE - CANADA	13	-
F345475-1	COIL	9	44	F438962	SHOCK MOUNT LOWER REAR	29	14
F345683	WIRE, REGULATOR-RECTIFIER GROUND	7	5	F439736	SEAL, EXHAUST TUBE	31	58
F351307	SEAL, DRIVESHAFT - WATER PUMP	33	63	F440192-1	THROTTLE CAM	21	28
F353480	STUD	29	23	F440209	CARBURETOR STUD	21	30
F372151-1	EXHAUST PORT PLATE	23	90	F440254	BALANCE TUBE	21	34
F372152-1	EXHAUST PORT COVER	23	88	F440906	CARBURETOR GASKET	21	31
F372154-1	EXHAUST PLATE GASKET	25	-	F440906	CARBURETOR GASKET	25	-
F372154-1	GASKET, EXHAUST PORT PLATE	23	89	F440925	CHOKE ROD	17	40
F372529	CYLINDER HEAD GASKET	25	-	F441754-1	HOSE	21	3
F372958	CHOKE BRACKET	21	19	F445690	SET SCREW	37	31
F381896-4	BATTERY CABLE	7	30	F448446	CLAMP, TRIM SWITCH CABLE	39	41
F391926-1	PLUNGER	17	41	F448543	KNOB	37	29
F391983	RETAINING BAND	9	51	F448611-1	LEVER	37	30
F3A523158	REED PLATE W/REEDS, REED STOPS AND SCREWS	21	41	F448894	INDICATOR - PORT	37	-
F40223	TRANSFER PORT COVER GASKET	25	-	F449010	CYLINDER	41	38
F40278	SEAL, CYLINDER	41	37	F449253-1	HYDRAULIC LINE, TRIM CYLINDER, LOWER	41	44
F404097	FLYWHEEL	7	1	F449254	HYDRAULIC LINE, TRIM CYLINDER, UPPER	41	29
F404268	BY-PASS VALVE SPRING	23	94	F449278	PISTON SEAL	41	36
F404314	ELBOW, FUEL PUMP COVER	21	2	F449342	SEAL, PISTON SHAFT	41	34
				F449354	THRUST BRACKET	41	31
				F449545-2	CYLINDER HOUSING	41	40
				F449632	SHAFT	41	43
				F449754-1	HYDRAULIC LINE, LIFT CYLINDER, LOWER	41	46

PARTS INDEX

Part Number	Description	Pg.	Ref. No.	Part Number	Description	Pg.	Ref. No.
F449758	HYDRAULIC LINE, LIFT CYLINDER, UPPER	41	45	F523562	PLATE, WATER PUMP	31	57
F449889	SHAFT, UPPER	43	58	F523562	PLATE, WATER PUMP	33	-
F449894	INDICATOR - STARBOARD	37	32	F523705	GEAR SHIFT ROD LOWER	31	45
F455449	SWITCH, TRIM	37	39	F523881-1	STEERING LINK	31	60
F460917	STARTER RELAY	7	26	F523930	RETAINER	31	61
F474073-1	CLAMP SCREW	29	25	F523961	CRUSH RING	31	49
F474387	TIMING DECAL - USA	9	56	F523962	SHOCK MOUNT - C.D. UNIT	9	46
F476066-1	THERMOSTAT COVER	23	85	F528068	THERMOSTAT	23	82
F476067	GASKET	23	81	F528995	COVER, CYLINDER HEAD	25	108
F476067	THERMOSTAT COVER GASKET	25	-	F530160	REED (5 PETAL)	21	40
F476529	CYLINDER HEAD GASKET	23	75	F531892	DECAL, PORT	37	-
F476529	CYLINDER HEAD GASKET	25	-	F545189	BUSHING, CABLE ENTRY	3	17
F480038-2	SUPPORT PLATE	3	15	F548984	BLANKET, SILENCER TOP (NOT SHOWN)	5	-
F480107-1	CAM STARTER INTERLOCK	25	104	F549189	BUSHING, ELECTRIC CABLE	3	16
F480388	DISC, WATER PUMP LOCATING	31	61	F552985	BLANKET, SILENCER SIDE (NOT SHOWN)	5	-
F480818	BEARING	3	13	F553061	CARBURETOR COMPLETE (TC-7A)	17	12
F481382-1	SPACER, LATCH SHAFT	3	29	F563	TERMINAL BLOCK KIT	52	-
F481434	GUIDE, ENGINE COVER	3	11	F58685-2	CONNECTOR, SHIFT CABLE	37	2
F481774	BRACKET, COVER LATCH	3	32	F590	REMOTE CONTROL HEAD (SINGLE LEVER)	50	-
F481777	CAM, LATCH	3	28	F5H002	SPEEDOMETER - FLUSH MOUNT	51	-
F485755-1	FUEL TANK ADAPTER	35	3	F5H003	SPEEDOMETER FLUSH MOUNT	52	-
F489551	BRACKET NEUTRAL INTERLOCK SWITCH	23	45	F5H004	SPEEDOMETER FLUSH MOUNT	51	-
F498618	GEAR SHIFT ARM PIN SEAL	33	-	F5H005	TEMPERATURE GAUGE - FLUSH MOUNT	51	-
F500843	CABLE	41	8	F5H006	VOLTMETER - FLUSH MOUNT	51	-
F50342-1	BEARING CAGE BOLT SEAL	33	-	F5H007	HOURMETER - FLUSH MOUNT	51	-
F506118	PROPELLER SHAFT SEAL	33	-	F5H008	FUEL GAUGE FLUSH MOUNT	51	-
F506118	SEAL, DRIVESHAFT	31	51	F5H010	POWER TRIM INDICATOR	50	-
F510374	DECAL, CIRCUIT BREAKER - USA	7	41	F5H012	TACHOMETER FLUSH MOUNT	51	-
F510460	CIRCUIT BREAKER	7	22	F5H014	FLUSHING ADAPTER	50	-
F511015-2	PISTON - STANDARD	27	2	F5H018	DUAL ENGINE TIE BAR	50	-
F511125-2	TUBE, STEERING SUPPORT	29	29	F5H019	ANTI-CORROSION KIT	50	-
F511675	STARTER BRACKET, LOWER	11	20	F5H021	EXTENSION CABLE	51	-
F511708	COVER, CARBURETOR	17	7	F5H025	ANTI-CORROSION SACRIFICIAL ANODE	50	-
F523031	GASKET, WATER PUMP	31	56	F5H026	FUEL TANK (ACCESSORY ITEM)	35	2
F523031	GASKET, WATER PUMP	33	-	F5H026	STEEL, 6 GALLON FUEL TANK (LOW PROFILE)	50	-
F523057	BEARING, DRIVESHAFT LOWER	33	65	F5H028	SENDING UNIT	51	-
F523065	IMPELLER	33	-	F5H029	TANK ANCHOR	50	-
F523065	IMPELLER, WATER PUMP	31	58	F5H030	SWITCH KIT - RUNNING LIGHTS	52	-
F523133-2	MOTOR LEG	29	15	F5H031	SWITCH KIT - SPOT LIGHT	52	-
F523146	SEAL, CRANKSHAFT LOWER	27	13	F5H032	SWITCH KIT - WIPER	52	-
F523273	STEERING BALL STUD	31	62	F5H034	SWITCH KIT - BILGE PUMP	52	-
F523274	GREASE FITTING	29	28	F5H035	SWITCH KIT - HORN	52	-
F523280	NUT, STEERING SUPPORT TUBE	29	36	F5H036	SWITCH KIT - TACHOMETER TRANSFER	52	-
F523300-1	SPRING	31	66				
F523451	SPACER, REEDS STOP	23	51				
F523498	DRIVE KEY, WATER PUMP	33	67				
F523498	KEY	33	-				
F523555	GEAR HOUSING COVER SEAL	33	-				
F523555	SEAL, "O" RING, GEAR HOUSING COVER	31	48				

PARTS INDEX

Part Number	Description	Pg.	Ref. No.	Part Number	Description	Pg.	Ref. No.
F5H037	CIGAR LIGHTER	51	-	F8056	LOCKWASHER	25	97
F5H038	IGNITION SWITCH MOUNTING KIT (ACCESSORY ITEM)	9	49	F8056	SPRING LOCKWASHER	7	7
F5H038	SWITCH KIT - IGNITION SWITCH	52	-	F8058	INTERNAL TOOTH LOCKWASHER	21	24
F5H039	SWITCH KIT - INSTRUMENT LIGHTS	52	-	F8077	WASHER	33	-
F5H040	STEEL, 12 GALLON FUEL TANK	50	-	F8080	SPRING LOCKWASHER	31	64
F5H041	BATTERY TERMINAL KIT	51	-	F8083	SPRING LOCKWASHER	3	26
F5H041	BATTERY TERMINAL KIT (ACCESSORY ITEM)	7	32	F8083	SPRING LOCKWASHER	9	43
F5H043	OVERHEAT BUZZER	50	-	F8083	SPRING LOCKWASHER	29	3
F5H043	OVERHEAT BUZZER (ACCESSORY ITEM)	7	36	F8083	SPRING LOCKWASHER	31	54
F5H069	RFI SUPPRESSION KIT	51	-	F8083	SPRING LOCKWASHER	33	-
F5H070	REMOTE ELECTRIC CABLE	51	-	F8088	PLAIN WASHER	17	31
F5H075	WIRING HARNESS - IGNITION SWITCH - 24"	52	-	F8088	PLAIN WASHER	23	47
F5H076	SWITCH EXTENSION CABLE	51	-	F8094	PLAIN WASHER	3	27
F5H076	SWITCH EXTENSION CABLE	52	-	F8095	PLAIN WASHER	25	110
F5H077	IGNITION KEY SWITCH	51	-	F8096	SPRING LOCKWASHER	3	22
F5H078	IGNITION KEY SWITCH	51	-	F8096	SPRING LOCKWASHER	3	34
F5H078	IGNITION SWITCH (LONG BARREL) W/KEYS AND SCREWS	7	34	F8096	SPRING LOCKWASHER	7	25
F5H079	REMOTE CONTROL BOX	50	-	F8096	SPRING LOCKWASHER	25	100
F5H080	TWIN REMOTE CONTROL BOX	50	-	F8096	SPRING LOCKWASHER	31	45
F5H081	BATTERY CABLE	50	-	F84011	WASHER	29	40
F5H094	STEERING LINK	50	-	F84067-1	THERMOSTAT COVER GASKET	25	-
F5H108	STEERING CONNECTOR	50	-	F84074	CLAMP SCREW FOOT	29	24
F5H112	INSTRUMENT ADAPTER - 3-1/2"	51	-	F84146-2	SEAL	27	20
F5H119	PROPELLER SPACER - FLARED	51	-	F84278	SEAL	27	23
F5H120	REMOTE CONTROL BACK PLATE	50	-	F84286-1	FRICTION WASHER	29	32
F5H128	POWER TRIM	51	-	F84305	PROPELLER SHAFT SPOOL SEAL	33	-
F5H130	REMOTE CONTROL BOX (SINGLE LEVER)	50	-	F84307-1	DRIVESHAFT SEAL	33	-
F5H131	PORT SIDE DECAL KIT	50	-	F84314-2	ELBOW	17	34
F5H134	BOAT WHITE LACQUER	50	-	F84314-2	ELBOW	21	6
F5H135	SAND TAN LACQUER	50	-	F84449	INTERLOCK SWITCH	23	46
F7012	STOP NUT	29	19	F84472-5	CYLINDER DRAIN COVER GASKET	25	-
F7013	STOP NUT	13	2	F84504	GROMMET (THERMOSTAT)	23	83
F74305	GEAR HOUSING COVER SEAL	33	-	F84748-3	CYLINDER DRAIN REED PLATE GASKET	25	-
F74305	SEAL, DRIVESHAFT BEARING CAGE	31	50	F84792	GASKET, CENTER FUEL PUMP VALVE	21	11
F762	REMOTE ELECTRIC CABLE	51	-	F85017	PISTON PIN	27	4
F8011	PLAIN WASHER	7	20	F85033	SWIVEL, CHOKE ROD (BOTTOM CARBURETOR) (NOT SHOWN)	19	-
F8028	PLAIN WASHER	11	19	F85037-1	STERN BRACKET PIVOT BOLT	29	38
F8038	PLAIN WASHER	25	109	F85095-2	STATOR	7	3
F8038	PLAIN WASHER	31	65	F85130	BOOT IDLE EXHAUST	29	8
F8039	PLAIN WASHER	31	57	F85161-1	REED STOP	21	39
F8056	LOCKWASHER	13	18	F85173	RETAINING RING	13	6
F8056	LOCKWASHER	15	43	F85258	INSERT	29	9
				F85279-2	CYLINDER EXHAUST UPPER GASKET	25	-
				F85279-2	GASKET, CYLINDER EXHAUST UPPER	23	69
				F85311	DISTRIBUTOR BELT	13	1
				F85314-1	FUEL FITTING	17	37
				F85317-1	SOLENOID CLAMP	21	21
				F85372	PIN, GEAR SHIFT ROD LOWER	31	47

PARTS INDEX

Part Number	Description	Pg.	Ref. No.	Part Number	Description	Pg.	Ref. No.
F8538	SPRING PIN	29	26	FA439493	TERMINAL BLOCK BRACKET	7	11
F85380	SPRING	29	10	FA439746	FUEL PUMP COVER	21	1
F85410	SNAP RING	27	8	FA440157	CARBURETOR ADAPTER, UPPER W/FITTING AND STUDS (NOT SHOWN)	21	-
F85453-1	CYLINDER EXHAUST LOWER GASKET	25	-	FA440167	CARBURETOR ADAPTER, LOWER W/FITTING AND STUDS	21	33
F85498	FLYWHEEL KEY	27	16	FA449015	PISTON	41	35
F85509-1	LINK, CHOKE	17	38	FA449149	COVER W/SEALS AND RETAINER	41	33
F85571	BEARING CAGE W/ROLLER	27	10	FA475260	PISTON RING SET - STANDARD (2 PER SET)	27	1
F85606	KINGPIN CAP	29	41	FA480876	GEAR SHIFT ARM	23	66
F85610	BEARING	23	65	FA481469	HANDLE W/SHAFT	3	12
F85615	GEAR SHIFT ROD UPPER	31	53	FA481743	ROLLER BRACKET	3	33
F85634-2	CONNECTING ROD SCREW	27	14	FA510497	TERMINAL BLOCK	7	15
F85660-1	EXHAUST TUBE	29	2	FA523014	CRANKSHAFT LOWER MAIN BEARING	27	12
F85664	DISTRIBUTOR GROUND	13	28	FA523735	SEAL, INLET WATER LINE, LOWER	33	64
F85664	GROUND WIRE	9	54	FA528518	CYLINDER HEAD	23	80
F85704	COUPLER, GEAR SHIFT ROD	31	46	FA535395	IDENTIFICATION PLATE W/SCREWS FOR U.S.A. MODELS	3	18
F85762	BY-PASS COVER GASKET	25	-	FA552892	DECAL, FRONT	5	40
F85762	BY-PASS VALVE COVER GASKET	23	93	FA552944	ENGINE COVER W/RETAINER, SCREWS AND NUTS	3	7
F85772	CLAMP	29	11	FA553386	DECAL, NUMERAL	3	5
F85779-1	BAFFLE, AIR INTAKE	31	50	FA58976-1	CONNECTOR, THROTTLE CABLE	37	1
F85843-1	REMOTE ELECTRIC CABLE, 18 FEET	7	38	FA84754-1	FUEL LINE SHORT W/FERRULES	35	8
F85906	CARBURETOR GASKET	25	-	FA85019	KINGPIN W/PLUG	29	34
F85908	STARTER LEAD WIRE	11	14	FA85193	TIE BAR END W/SWIVEL	17	2
F85916-1	BY-PASS VALVE	23	95	FA85355-1	WASHER	31	56
F85924	CHOKE SOLENOID	7	28	FA85655-1	CRANKSHAFT MAIN BEARING RACE W/SNAP RING	27	9
F85965	SHOCK MOUNT UPPER	31	52	FAC535395	IDENTIFICATION PLATE W/SCREWS FOR CANADA MODELS	3	-
F89758	HOSE, FUEL PUMP USA	21	7	FB368700	IGNITION KEY - STAMPED B	9	-
F9018	CAP	29	37	FC368700	IGNITION KEY - STAMPED C	9	-
F9052	PLUG	29	27	FC409398	DECAL, TOTE TANK - CANADA (NOT SHOWN)	35	-
F90619-1	YOKE	33	73	FC438398	DECAL, WIRING - CANADA	23	-
F90807	RETAINING RING	17	1	FC474387	TIMING DECAL - CANADA	9	-
F9095	SHIM, DRIVESHAFT BEARING UPPER .005 BRASS	33	-	FC500390	DECAL, STARTER - CANADA (NOT SHOWN)	11	-
F9097	SHIM, DRIVESHAFT BEARING UPPER .010 BLACK	33	-	FC510374	DECAL, CIRCUIT BREAKER - CANADA	7	-
F9106	SHIM, DRIVESHAFT BEARING UPPER .033 BRASS	33	66	FD368700	IGNITION KEY - STAMPED D	9	-
F91446-1	CIRCUIT BREAKER BRACKET	7	21	FE368700	IGNITION KEY - STAMPED E	9	-
F92759	THROTTLE ROLLER	17	20	FG1003-1	GASKET SET	25	111
F97772	CLAMP	17	35	FK1063-1	SEAL KIT	33	74
F97772	FUEL LINE CLAMP	35	11	FK1069	WATER PUMP KIT	33	75
FA14048-2	PREAMPLIFIER	13	17	FK550128	DRIVESHAFT W/BEARING, SHIMS AND CRUSH RING	33	68
FA15072	HEX LOCK NUT, 1/4 - 20	11	13				
FA17559	LIFT CYLINDER COMPLETE	41	47				
FA178233	THROTTLE TIE BAR W/SWIVEL	17	5				
FA178962	SHOCK ABSORBER W/BUSHING	43	55				
FA321574	DISTRIBUTOR BRACKET	13	10				
FA368700	IGNITION KEY - NO LETTER OR STAMPED A	9	53				
FA438431	FUEL PUMP BODY W/VALVES	21	12				

PARTS INDEX

Part Number	Description	Pg.	Ref. No.	Part Number	Description	Pg.	Ref. No.
FK750-3	SPARKIE	15	44	FT2961	LUBRICANT	48	-
FK85228-1	BEARING CAPE W/ROLLER	27	7	FT2962-1	SEALANT	48	-
FO10588	BODY CHANNEL CUP PLUG	17	24	FT2963-1	SEALANT	48	-
FO11103	IDLE MIXTURE SCREW			FT2987-1	LUBRICANT	48	-
	SPRING	17	14	FT2990	PISTON PIN TOOL	45	-
FO13193	MAIN FUEL JET OPT. .088			FT2996	RING COMPRESSOR	45	-
	1500 - 3000 FT.	17	-	FT3012	SEAL INSTALLER	46	-
FO13554	FLOAT	19	48	FT7848	TORQUING ADAPTER	46	-
FO13944	FLOAT LEVER PIN	19	49	FT8901	INDICATOR HOLDER	46	-
FO13949	MAIN FUEL JET OPT. .086			FT8902	DIAL INDICATOR	46	-
	3000 - 4500 FT.	17	-	FT8903	SEAL INSTALLER	45	-
FO14109	MAIN FUEL JET OPT. .082			FT8907	DRIVE HANDLE	45	-
	6000 FT & UP	17	-	FT8907	DRIVER HANDLE	46	-
FO14166	IDLE MIXTURE SCREW	17	13	FT8914	SEAL REMOVER	45	-
FO14302	MAIN FUEL JET OPT. .084			FT8918	BEARING GUIDE SET	46	-
	4500 - 6000 FT.	17	-	FT8919	SPRING PIN PUNCH	46	-
FO15406	MAIN FUEL JET STD. .090			FT8925	SEAL INSTALLER	45	-
	SEA LEVEL - 1500 FT.	17	15	FT8925	SEAL INSTALLER	46	-
FO15623	FUEL BOWL GASKET	19	46	FT8926	RING EXPANDER	45	-
FO15912	CHOKE AND THROTTLE			FT8927	SEAL PROTECTOR	45	-
	SHUTTER SCREW	17	9	FT8933	LIFTING HOOK	47	-
FO16128	BODY CHANNEL WELCH			FT8935	SEALANT PRIMER	48	-
	PLUG	17	25	FT8936	SEALANT	48	-
FO16130	FUEL BOWL	19	51	FT8948-1	PULLER	44	-
FO16132	FUEL BOWL RETAINING			FT8948-1	PULLER	46	-
	SCREW	17	11	FT8950	LEAKAGE TESTER	47	-
FO16133	MAIN NOZZLE	19	50	FT8953	IGNITION TESTER	47	-
FO16142	THROTTLE SHUTTER	17	26	FT8955	SEALANT	48	-
FO16143	THROTTLE SHAFT RETURN			FT8957	SEAL INSTALLER	46	-
	SPRING	17	22	FT8969	LUBRICANT	48	-
FO16301	CHOKE SHAFT AND LEVER	19	44	FT8978	POWER TIMING LIGHT	44	-
FO16620	"E" RING	17	29	FT8985	SEAL INSTALLER	46	-
FO16697	INLET NEEDLE	19	47	FT8993	SEALANT	48	-
FO17719	CHOKE, SHUTTER	17	10	FT8997	SHIMMING TOOL	46	-
FO17884	THROTTLE SHAFT AND			FTA2937-1	TIMING TOOL	44	-
	LEVER	17	21	FTA8994	PISTON PIN TOOL	45	-
FO17885	CHOKE SHAFT RETURN			FTK8999	TEST WHEEL	47	-
	SPRING	19	45	OB3061	LITERATURE,		
FO1974	SCREW	17	18		INSTALLATION		
FO5323	FUEL BOWL RETAINING				INSTRUCTIONS (NOT		
	SCREW GASKET	19	52		SHOWN)	39	-
FO9678	CLIP, CHOKE SHAFT	17	16	T11227	DARK BROWN	49	-
FO992	LOCKWASHER	17	17	T11228	DARK METALLIC BROWN	49	-
FS409752	FUEL LINE COMPLETE	35	-	T11229	SAND TAN	49	-
FS490955	STARTER COMPLETE	11	-	T11230	ORANGE	49	-
FS548179	TRIM TOP	3	1	T11231	GOLD	49	-
FS548269	TILT HANDLE	3	3	31-817785A2	CRANKSHAFT BEARING		
FS552180	TRIM REAR	3	6		CAGE W/SEAL	27	18
FS552888	TRIM FRONT	5	39	32-817738A1	FUEL LINE LONG W/CLAMP		
FSA475260	PISTON RING (2 PER SET)				AND FERRULE	35	10
	.010 OVERSIZE (NOT			33-97180	SPARK PLUG (CHAMPION		
	SHOWN)	27	-		L20V) - USA	23	77
FT1082	SNAP RING PLIER	45	-	39-818123A1	PISTON RING (2 PER SET)		
FT11204	BEARING CUP INSTALLER	46	-		.030 OVERSIZE (NOT		
FT11205	BEARING				SHOWN)	27	-
	INSTALLER/REMOVER	46	-	46-817853A1	WATER PUMP	33	-
FT11207	BEARING CUP REMOVER	46	-	46-817853A1	WATER PUMP BODY		
FT11209	BEARING GUIDE SET	46	-		W/DRIVESHAFT SEAL,		
FT2951	CIRCUIT TRACER	44	-		DISC AND WATERING		
FT2953	SOCKET	45	-		SEAL	31	59

PARTS INDEX

Part Number	Description	Pg.	Ref. No.	Part Number	Description	Pg.	Ref. No.
84-817775A1	COIL WIRE W/TERMINAL						
	CLIP	13	29				
87-817778A1	THERMOSWITCH	25	98				
300-817855A1	UNIT W/DECAL	9	45				
400-817735A4	CRANKSHAFT W/BEARING .	27	15				
600-818052A4	CONNECTING ROD W/CAP						
	AND SCREWS	27	6				
700-819409A3	PISTON .010 OVERSIZE						
	(NOT SHOWN)	27	-				
700-819409A4	PISTON .030 OVERSIZE						
	(NOT SHOWN)	27	-				
1400-817958A6	STERN BRACKET	29	18				