



PARTS CATALOG

8 H.P.

SERIAL NUMBER

8 (1979) 82H9K

TABLE OF CONTENTS:

ACCESSORIES	33
ENGINE COVER AND SUPPORT PLATE	2
FUEL SYSTEM	10
FUEL TANK AND LINE	26
GEAR HOUSING	24
LUBRICATION CHART	35
MAGNETO	6
MOTOR LEG	18
PARTS INDEX	37
POWER HEAD	14
SPECIAL ADJUSTMENTS	36
SPECIAL TOOLS - LOWER UNIT	31
SPECIAL TOOLS - POWER HEAD	30
SPECIAL TOOLS - STARTER	29
SPECIAL TOOLS - TEST EQUIPMENT	32
SPECIAL TOOLS - TUNE-UP	28
SPECIFICATIONS	34
STARTER	8

NOTE: Indented description indicate that these parts are included in preceeding assembly.

AR = As Required

NSS = Not Sold Separate

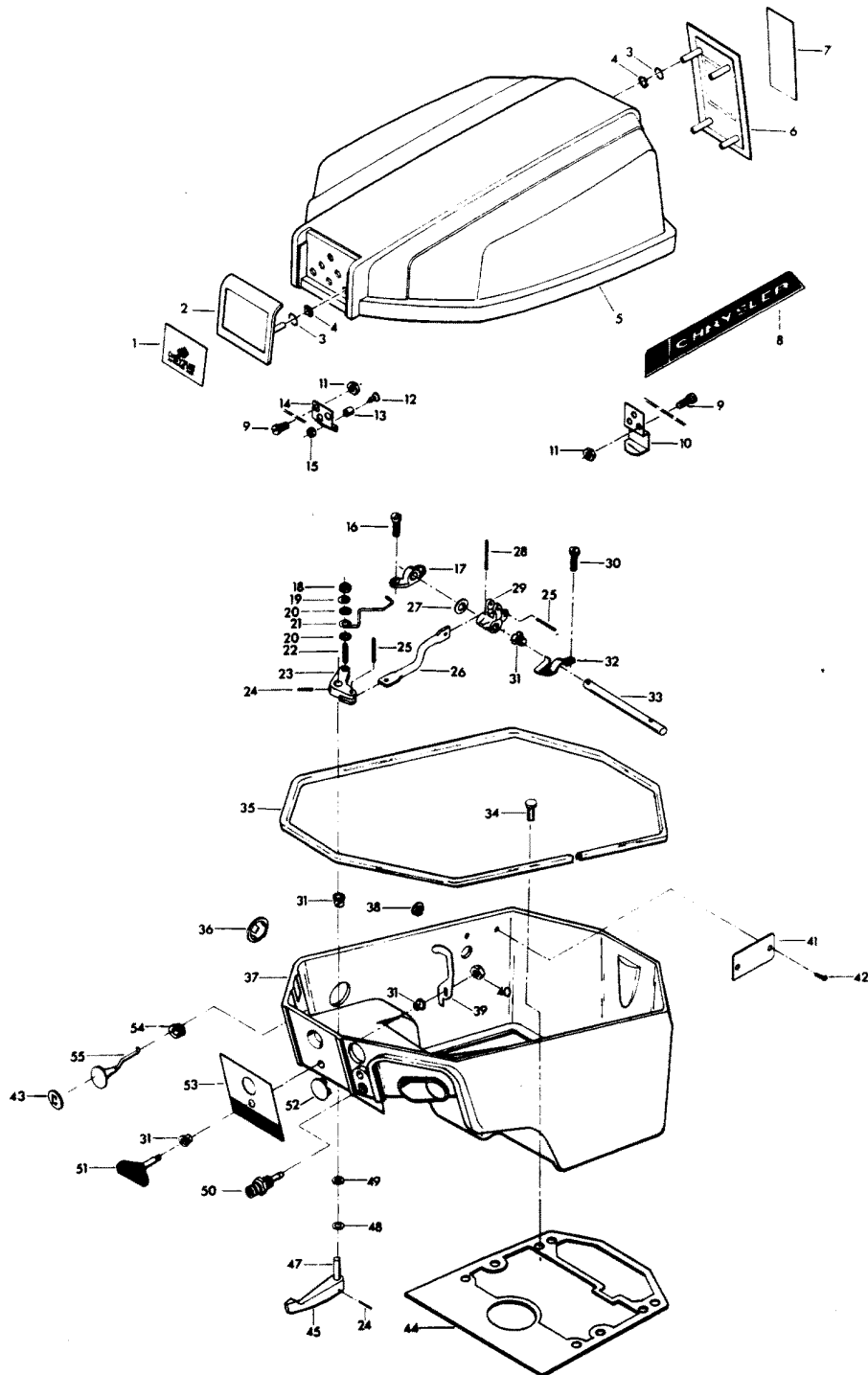
OPT = Optional

NS = Not Shown

THESE PARTS BOOKS/FICHE CARD ARE COPYRIGHTED AND MAY NOT BE DISTRIBUTED OR REPRODUCED IN ANY OTHER FORMAT BY ANYONE OTHER THAN MERCURY MARINE WITHOUT THE PRIOR WRITTEN CONSENT OF MERCURY MARINE.

THIS PAGE INTENTIONALLY LEFT BLANK

ENGINE COVER AND SUPPORT PLATE

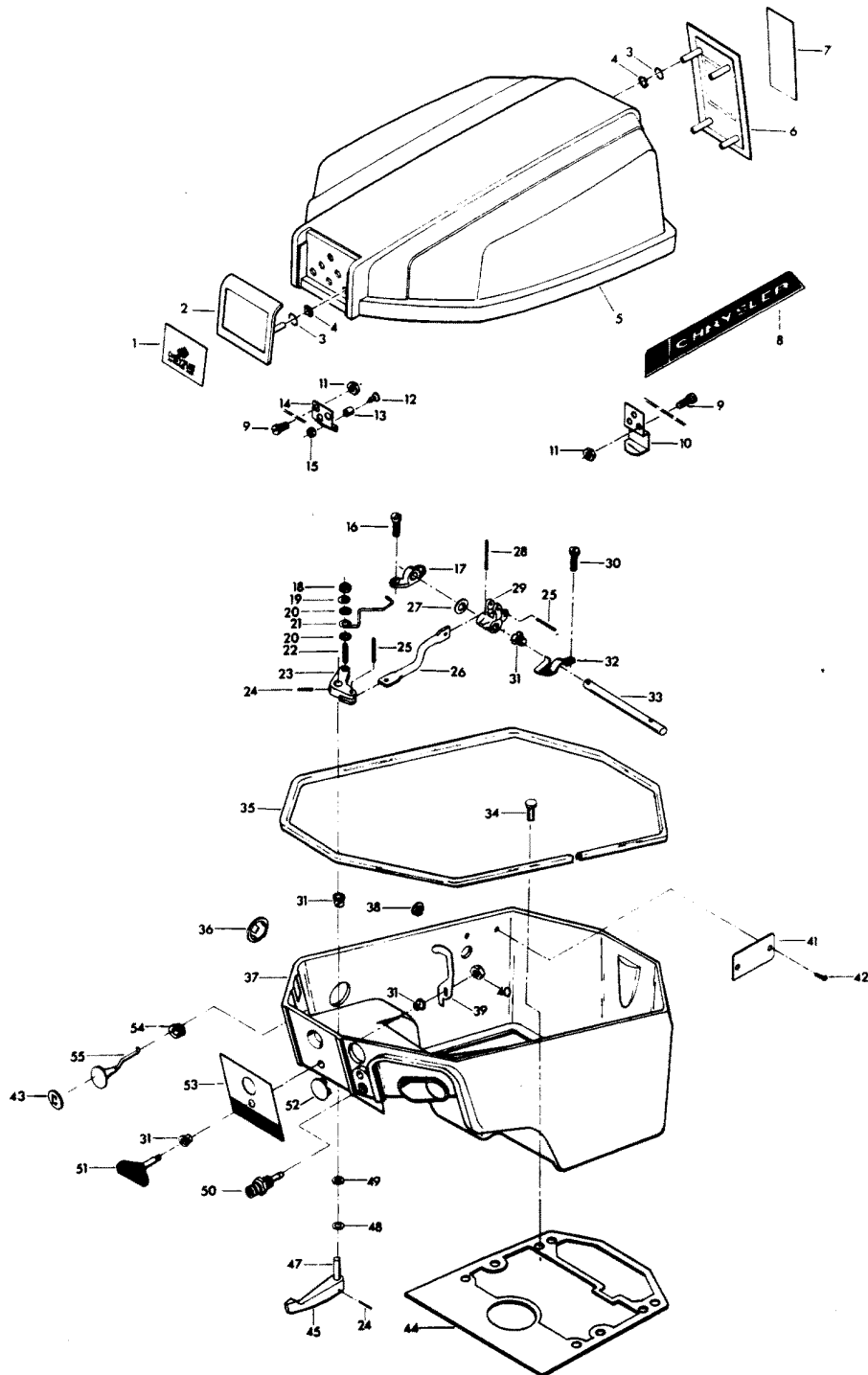


ENGINE COVER AND SUPPORT PLATE

REF. NO.	PART NO.	SYM.	QTY.	DESCRIPTION
1	FA487892		1	INSERT, PLATE FRONT - USA
2	F487711		1	PLATE, ENGINE COVER
3	F85735-1		7	SEAL
4	F1753		7	FASTENER
5	FS487712		1	ENGINE COVER W/BRACKET AND RETAINER
-	2C488712		1	ENGINE COVER, COMPLETE INCLUDES ITEMS WITH ASTERISK (*).
6	F487180		1	TRIM, ENGINE COVER, REAR
7	FA487528		1	INSERT, TRIM REAR
8	F487392		1	DECAL, PORT, "CHRYSLER"
-	F487396		1	DECAL, STARBOARD "CHRYSLER"
9	F1475		6	FILL HD SCREW, 10 - 24 X 1/2
10	FA286480		1	RETAINER, ENGINE COVER W/SCREWS AND NUTS
11	F7011		6	ELASTIC STOP NUT, 10 - 24
12	F269316		1	ROLLER SHAFT
13	F92759		1	ROLLER
14	817758A1		1	BRACKET, COVER LATCH W/SCREWS, NUTS AND ROLLER
15	F7011		1	STOP NUT, 10 - 24
16	F1574		2	FILL HD SCREW, 1/4 - 20 X 9/16
17	F318818		1	BEARING
18	F1804		1	STOP NUT
19	F8011		1	PLAIN WASHER
20	F184579		2	SEAL
21	F487263		1	LINK, STARTER INTERLOCK
22	F286134		1	STUD
23	F487619		1	LEVER, GEAR SHIFT SHAFT
24	F8540		1	SPRING PIN
25	F8537		2	SPRING PIN
26	F318611-1		1	GEAR SHIFT ROD
27	F154415		2	WASHER
28	F8547		1	SPRING PIN
29	F318876-1		1	GEAR SHIFT LEVER
30	F1068		2	FILL HD SCREW, 10 - 24 X 7/16
31	F307818		4	BEARING
32	F318895		1	SPRING, SHIFT DETENT
33	F318871		1	SHAFT, GEAR SHIFT LEVER
34	F1689		2	HEX CAP SCREW, 1/4 - 20 X 1/2
35	F318756		1	PACKING, SUPPORT PLATE
36	F487226		1	PLUG
37	A318038-4		1	SUPPORT PLATE W/EYELET AND PLUGS
38	F388226-1		1	PLUG
39	F286777		1	CAM, COVER LATCH
40	F7006		1	STOP NUT, 5/16 - 18

CONTINUED ON NEXT PAGE ➡

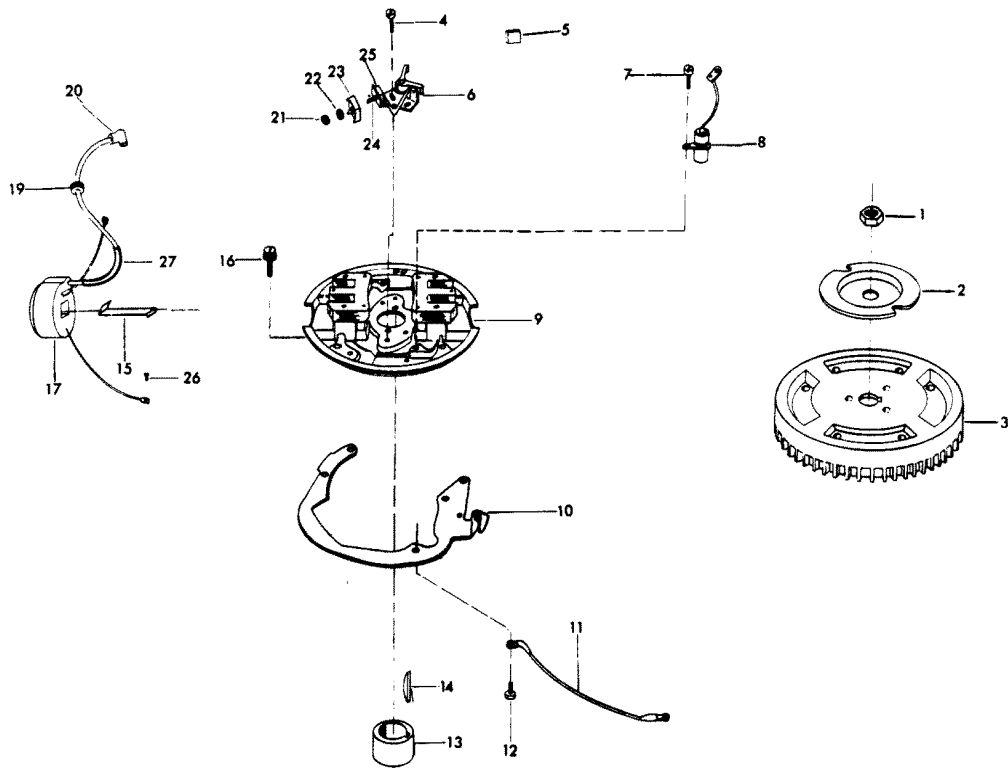
ENGINE COVER AND SUPPORT PLATE



ENGINE COVER AND SUPPORT PLATE

REF. NO.	PART NO.	SYM.	QTY.	DESCRIPTION
41	FA77395-5		1	PLATE, IDENTIFICATION W/SCREWS FOR USA MODELS
42	F1293		2	DRIVE SCREW, 2 X 3/16
43	F458677		1	INSERT, CHOKE KNOB
44	F318453-1		1	GASKET, LEG MOUNTING
45	F286614		1	GEAR SHIFT HANDLE
47	F487417		1	GEAR SHIFT HANDLE SHAFT
48	F8049		1	BOWED WASHER
49	F154415		1	WASHER
50	F197767-1		1	BUSHING, FUEL LINE
51	FA286469		1	KNOB, COVER LATCH
52	F343226-1		1	PLUG
53	A317711-2		1	PLATE, FRONT
54	F318504		1	GROMMET, CHOKE ROD
55	FA318503		1	CHOKE ROD W/KNOB AND INSERT

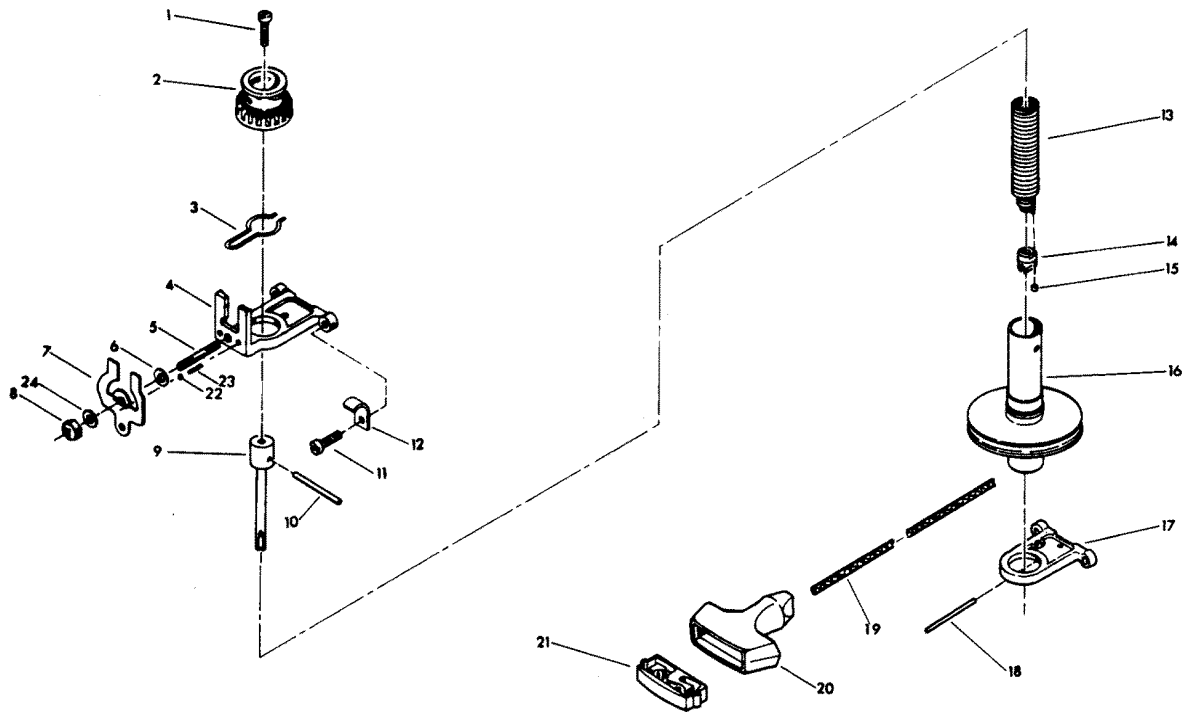
MAGNETO



MAGNETO

REF. NO.	PART NO.	SYM.	QTY.	DESCRIPTION
1	F1352		1	HEX NUT, 7/16 - 20
2	F901456-1		1	EMERGENCY STARTER COLLAR
3	F318097		1	FLYWHEEL
4	F12170		4	CONTACT SCREW W/LOCKWASHER
5	F12228		1	CAM WIPER FELT
6	F12153		2	BREAKER POINT SET
7	F12083		2	CONDENSER SCREW W/LOCKWASHER
8	F12181-1		2	CONDENSER
9	F12343		1	STATOR PLATE W/LAMINATIONS
11	F289664		1	WIRE, STATOR GROUND
12	F1075		4	FILL HD SCREW, 10 - 24 X 1/2
13	F59002		1	MAGNETO BREAKER CAM, WICO 11417
14	F458498		1	MAGNETO KEY
15	F12146		2	COIL WEDGE SPRING
16	F1090		4	FILL HD SCREW W/LOCKWASHER, 10 - 24 X 9/16
17	FA12345		2	COIL W/LEAD WIRE
19	F12088		4	GROMMET
20	FK750-2		2	SPARKIE W/SPRING
21	F12127		2	STUD NUT
22	F8055		2	LOCKWASHER
23	F12128		2	INSULATOR, OUTSIDE
24	F12142		2	CONNECTION STUD
25	F12129		2	INSULATOR, INSIDE
26	F12114		2	SCREW, COIL GROUND TERMINAL
27	F12141		1	SLEEVE, HIGH TENSION LEAD
-	F12091		1	LEAD WIRE MARKER, TOP (NOT SHOWN)

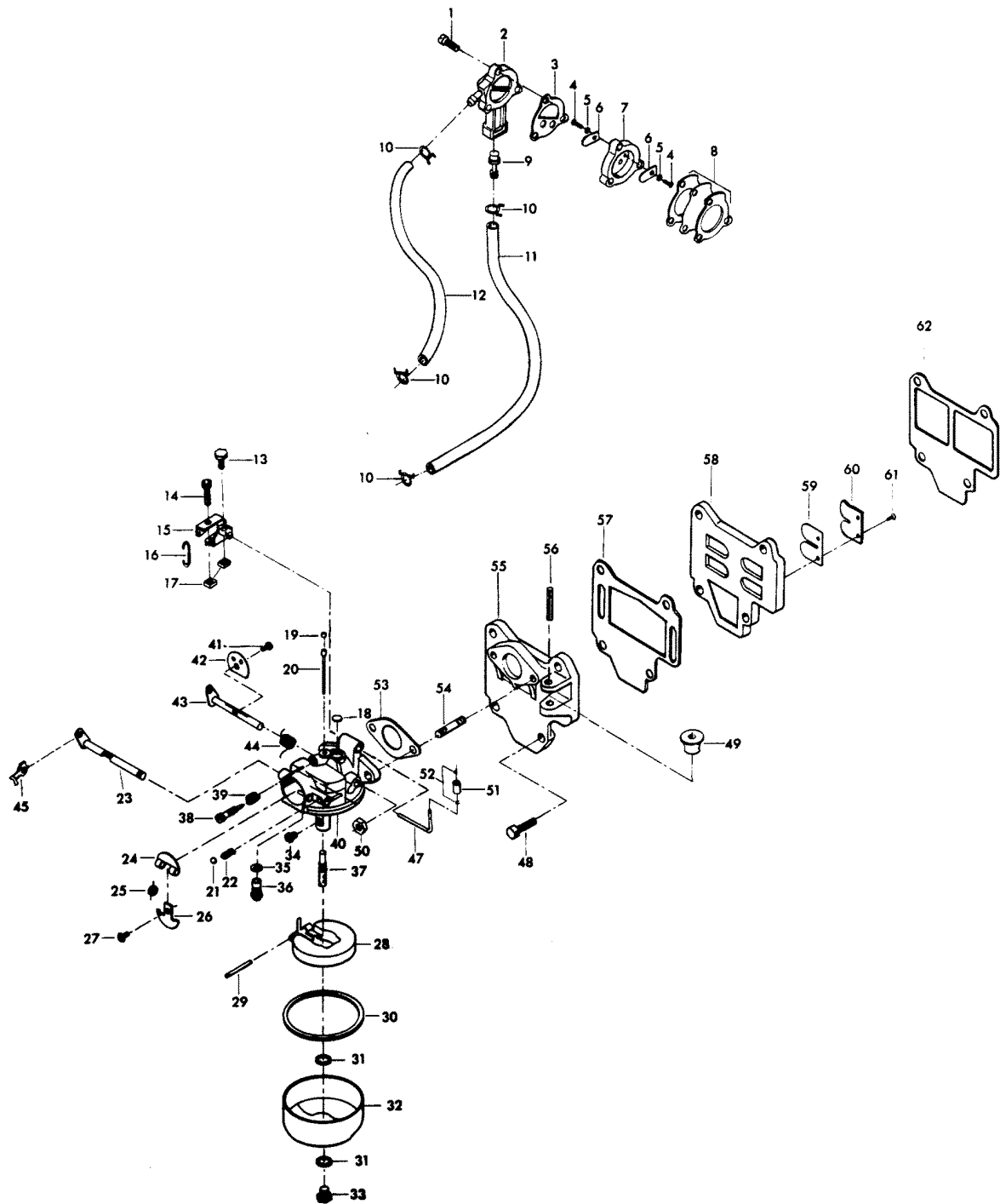
STARTER



STARTER

REF. NO.	PART NO.	SYM.	QTY.	DESCRIPTION
1	F1089		1	FILL HD SCREW, 10 - 24 X 9/16
2	F487674		1	GEAR, STARTER PINION
3	F487424-1		1	STARTER PINION SPRING
4	F487427-1		1	BRACKET, STARTER UPPER
5	F286134		1	STUD
6	F8011		1	PLAIN WASHER
7	F487781-3		1	STARTER INTERLOCK
8	F1804		1	STOP NUT
9	F286710		1	ARBOR, STARTER SPRING
10	F40425		1	STARTER, PINION PIN
11	F1107		4	FILL HD SCREW, 1/4 - 20 X 3/4
13	FA286970		1	STARTER REWIND SPRING W/END AND RETAINER
14	F286737-1		1	RETAINER, STARTER REWIND SPRING
15	F286930		1	END, STARTER SPRING
16	F2A459239		1	STARTER SPOOL W/SHAFT
17	FK317427		1	BRACKET, STARTER LOWER W/SPRING PIN
18	F1875		1	SPRING PIN, STARTER BRACKET
19	F409232		1	STARTER ROPE
20	F286132		1	HANDLE, STARTER ROPE
21	817938A1		1	RETAINER, STARTER ROPE HANDLE
22	F487727		2	BALL, INTERLOCK DETENT
23	F487895		2	SPRING INTERLOCK DETENT
24	F2042		1	PLAIN WASHER

FUEL SYSTEM

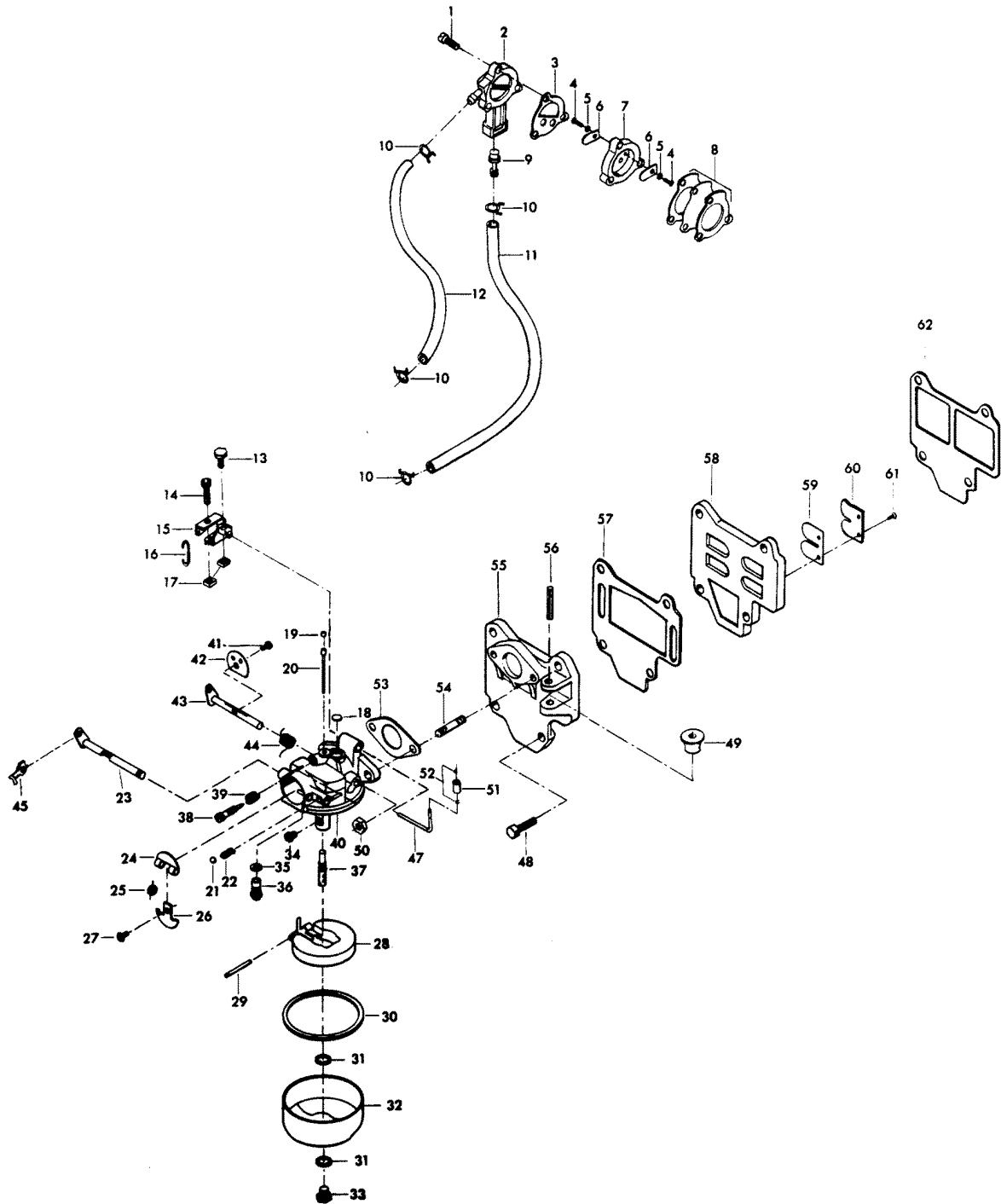


FUEL SYSTEM

REF. NO.	PART NO.	SYM.	QTY.	DESCRIPTION
1	F1069		3	FILL HD SCREW, 10 - 24 X 1-1/16
2	F901746-2		1	FUEL PUMP COVER
3	F24748-2		1	GASKET, FUEL PUMP COVER
4	F1286		2	PAN HD SCREW, 4 - 40 X 3/16
5	F8003		2	PLAIN WASHER
6	F18160-1		2	REED, FUEL PUMP
7	FA24757-3		1	FUEL PUMP REED PLATE W/REEDS AND SCREWS
8	27-818043A1		1	FUEL PUMP DIAPHRAGM W/GASKETS
9	F901811		1	FUEL PUMP FILTER
10	F2706772		4	HOSE CLAMP
11	F516754		1	FUEL LINE W/CLAMPS
12	FA24754-1		1	FUEL LINE W/CLAMPS
13	F1912		1	HEX HD SCREW, 10 - 24 X 1/2
14	F1834		1	FILL HD SCREW, 10 - 24 X 7/8
15	817754A1		1	ARM, CARBURETOR ADJUSTING
16	F66193		1	THROTTLE LINK
17	F1365		2	SQUARE NUT, 10 - 24
18	FO2531		1	BODY CHANNEL WELCH PLUG
19	FO10588		1	BODY CHANNEL CUP PLUG
20	FO15723		1	BYPASS TUBE
21	FO4784		1	CHOKE FRICTION BALL
22	FO8805		1	CHOKE FRICTION SPRING
23	FO17362		1	CHOKE SHAFT AND LEVER
24	FO15368		1	CHOKE RELIEF VALVE
25	FO15783		1	CHOKE RELIEF VALVE SPRING
26	FO15367		1	CHOKE SHUTTER
27	FO10280		1	CHOKE SHUTTER RETAINING SCREW AND LOCKWASHER
28	FO13554		1	FLOAT
29	FO13944		1	FLOAT LEVER PIN
30	FO15623		1	FUEL BOWL GASKET
31	FO2510		2	FUEL BOWL RETAINING SCREW GASKET
32	FO15366		1	FUEL BOWL
33	FO13945		1	FUEL BOWL RETAINING SCREW
34	FO12101		1	MAIN FUEL JET STD. .045 SEA LEVEL - 3,000 FT.
-	FO12284		-	MAIN FUEL JET OPT. .043 3,000 FT. - 6,000 FT.
-	FO12370		-	MAIN FUEL JET OPT. .041 6,000 FT. AND UP
35	FO10165		1	INLET SEAT GASKET
36	FO10790		1	INLET NEEDLE, SEAT AND GASKET
37	FO15722		1	MAIN NOZZLE
38	FO15520		1	IDLE MIXTURE SCREW
39	FO11103		1	IDLE MIXTURE SCREW SPRING
40	F388061-3		1	CARBURETOR COMPLETE (CO6C)
41	FO8942		1	THROTTLE SHUTTER RETAINING SCREW AND LOCKWASHER

CONTINUED ON NEXT PAGE ➡

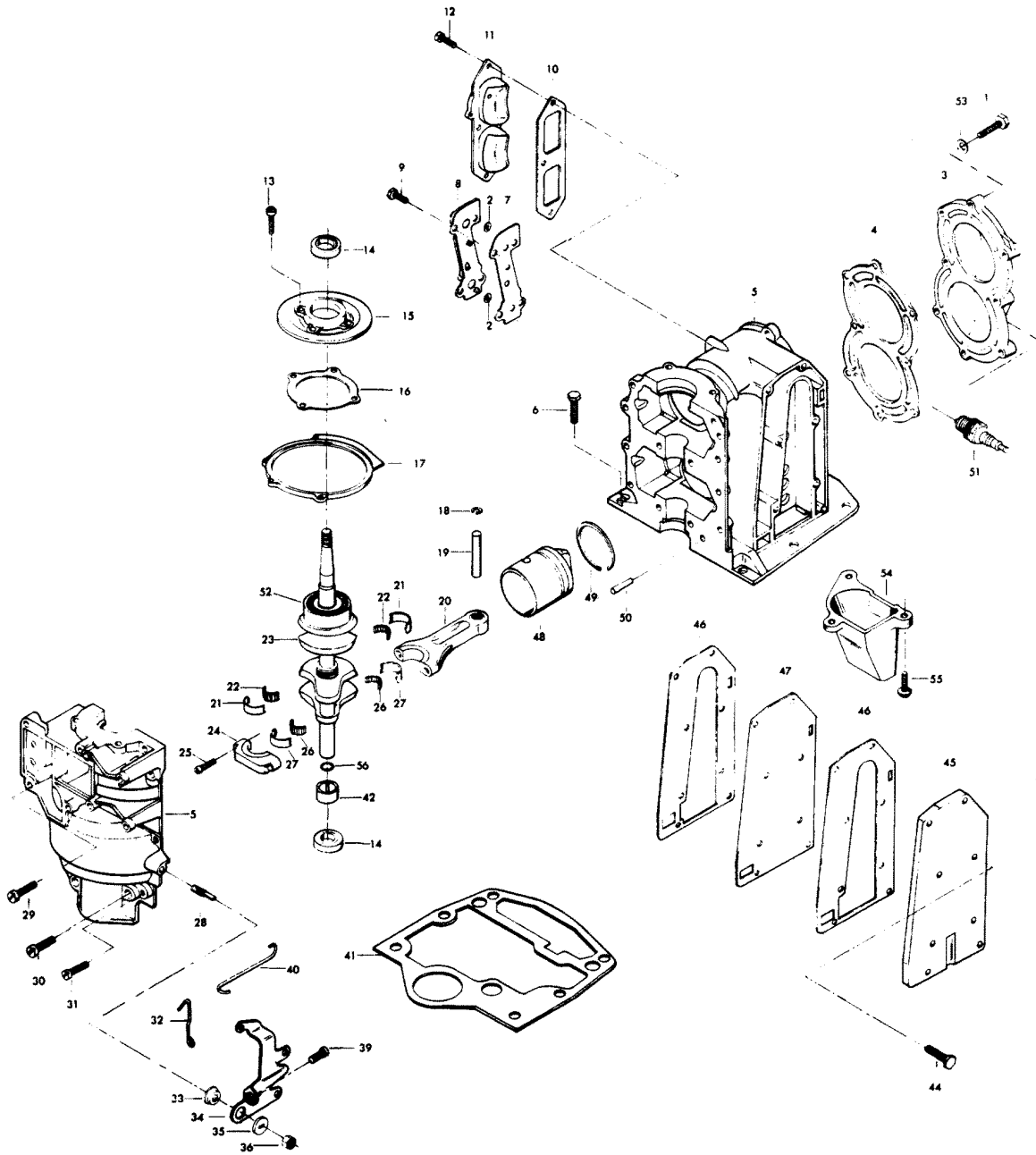
FUEL SYSTEM



FUEL SYSTEM

REF. NO.	PART NO.	SYM.	QTY.	DESCRIPTION
42	FO15753		1	THROTTLE SHUTTER
43	FO15718		1	THROTTLE SHAFT AND LEVER
44	FO15526		1	THROTTLE SHAFT RETURN SPRING
45	F341384		1	RETAINER, CHOKE ROD
47	817773A1		1	THROTTLE CAM FOLLOWER
48	F1914		4	HEX HD SCREW, 1/4 - 20 X 3/4
49	F487435		1	PULLEY, STARTER ROPE
50	F1490		2	HEX NUT, 1/4 - 20
51	318318		1	ROLLER, THROTTLE CAM FOLLOWER
52	F78410		1	RETAINER
53	F18906		1	CARBURETOR GASKET
54	F2788004		2	STUD, CARBURETOR
55	2A341167		1	MANIFOLD W/STUDS, PULLEY AND SPRING PIN
56	F1876		1	SPRING PIN
57	F318168		1	GASKET, MANIFOLD
58	FA387158		1	REED PLATE W/REEDS, STOPS AND SCREWS
59	F31160-1		2	REED
60	F424161		2	REED STOP
61	F1755		4	ROUND HD SCREW W/LOCKWASHER, 6 - 32 X 1/4
62	F318159		1	GASKET, REED PLATE
-	F10006		1	GASKET SET (NOT SHOWN)
-	F10008		1	REPAIR PARTS KIT (NOT SHOWN) ASTERISK (*) INDICATES CONTENTS OF REPAIR PARTS KIT

POWER HEAD

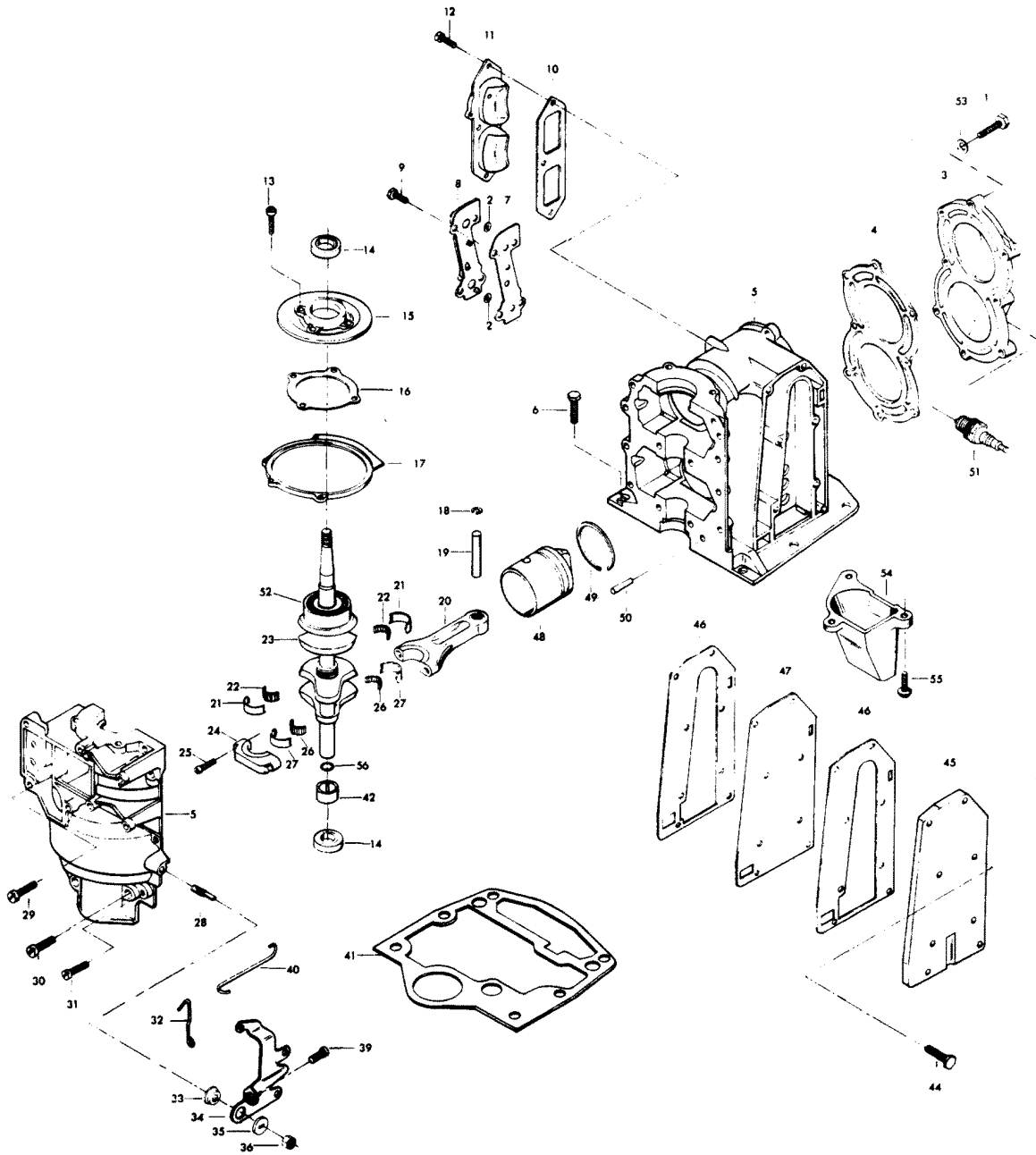


POWER HEAD

REF. NO.	PART NO.	SYM.	QTY.	DESCRIPTION
1	F901938-1		8	SCREW, CYLINDER HEAD
2	F429811		2	SCREENS, CYLINDER DRAIN
3	F318518-4		1	CYLINDER HEAD
4	F318529		1	CYLINDER HEAD GASKET
5	A488010-1		1	CYLINDER W/CRANKCASE COVER, DOWEL PINS, SCREWS, STUD AND CYLINDER DRAIN COVER
6	F1823		6	HEX HD CAP SCREW, 5/16 - 18 X 1
7	F429472		1	GASKET, CYLINDER DRAIN COVER
8	FA429471		1	CYLINDER DRAIN COVER W/CHECK VALVES AND SCREENS
9	F1922		4	HEX HD SCREW, 1/4 - 20 X 5/8
10	F318223-1		1	GASKET, TRANSFER PORT COVER
11	F318222-1		1	TRANSFER PORT COVER
12	F1502		4	HEX CAP SCREW, 1/4 - 20 X 5/8
13	F1111		4	FILL HD SCREW, 1/4 - 20 X 7/8
14	F141118		2	SEAL, CRANKSHAFT
15	FA318144		1	CAGE, CRANKSHAFT BEARING W/SEAL (ITEM 14)
16	F286277		1	GASKET, CRANKSHAFT BEARING CAGE
17	F73082		1	MAGNETO STATOR RING
18	F31410		4	RETAINING RING, PISTON PIN
19	F430017		2	PISTON PIN
20	F2A430016		2	CONNECTING ROD W/CAP AND SCREWS
21	FA286155		1	MAIN BEARING LINER SET (2 PER SET)
22	F286571		1	CENTER MAIN BEARING ROLLERS (26 PER SET)
23	A318018-2		1	CRANKSHAFT W/UPPER MAIN BEARING
25	F286634-1		4	CONNECTING ROD SCREW
26	F318228		2	CONNECTING ROD, ROLLER SET (24 PER SET)
27	A318229-1		2	CONNECTING ROD LINER (2 PER SET)
28	F286440		1	STUD, MAGNETO CONTROL LEVER
29	F1111		2	FILL HD SCREW, 1/4 - 20 X 1
30	F1335		4	FILL HD SCREW, 5/16 - 18 X 1-1/4
31	F1107		6	FILL HD SCREW, 1/4 - 20 X 3/4 *
32	F387445-1		1	LINK, MAGNETO CONTROL ROD
33	F183813		1	BEARING, MAGNETO CONTROL LEVER
34	FA387081		1	LEVER, MAGNETO CONTROL
35	F286282		1	WASHER
36	F1803		1	STOP NUT, 5/16 - 24
39	F1052		1	FILL HD SCREW, 1/4 - 20 X 1
40	F318509-3		1	LINK, THROTTLE CAM
41	F318279-1		1	GASKET, CYLINDER MOUNTING
42	F343014		1	BEARING, CRANKSHAFT LOWER MAIN
44	F1915		8	HEX HD SCREW, 1/4 - 20 X 7/8
45	F318152		1	COVER, EXHAUST
46	F318154		2	GASKET, EXHAUST COVER

CONTINUED ON NEXT PAGE ➡

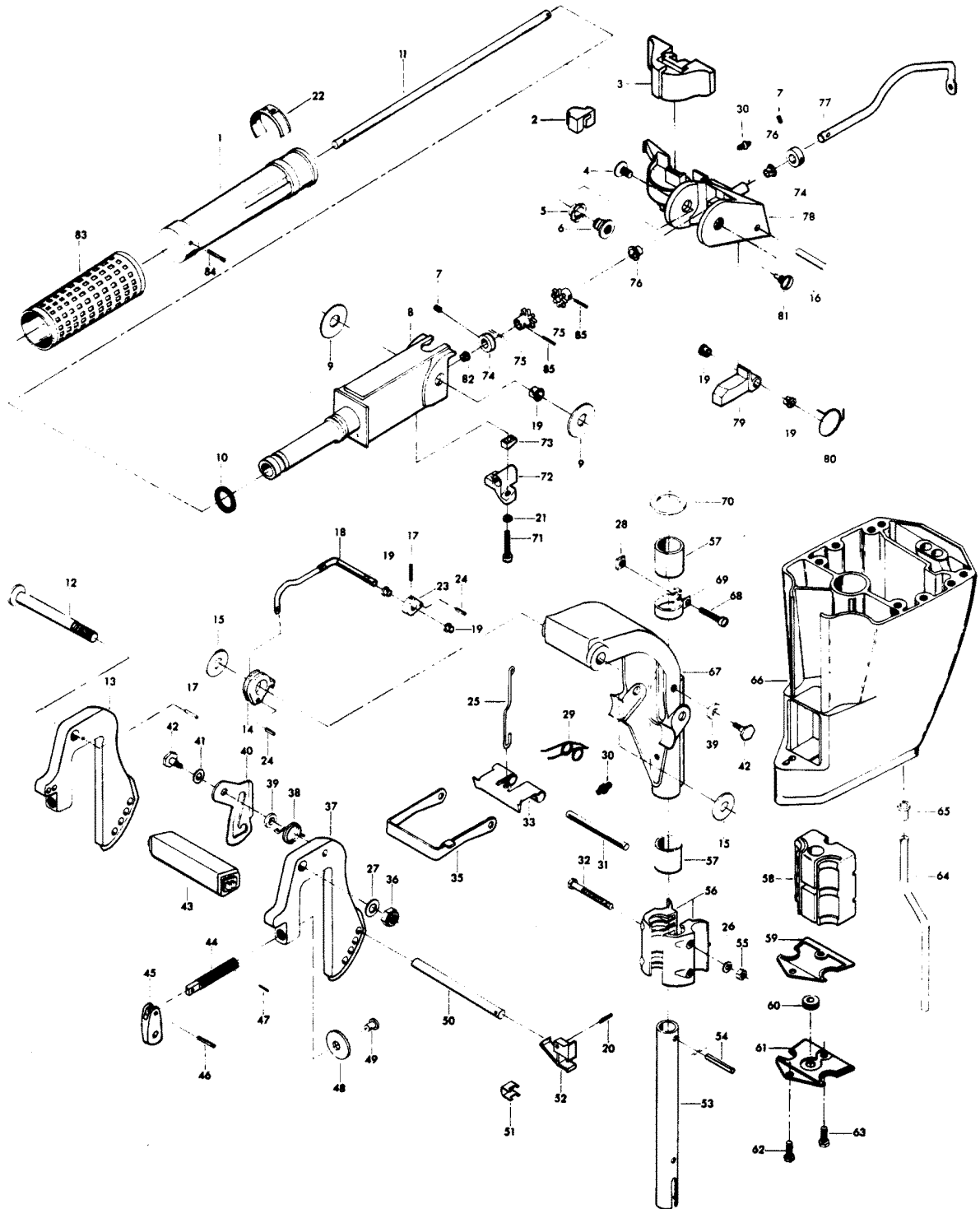
POWER HEAD



POWER HEAD

REF. NO.	PART NO.	SYM.	QTY.	DESCRIPTION
47	F318151		1	PLATE, EXHAUST
48	FA430015		2	PISTON
49	39-818038A1		2	PISTON RING SET (3 PER SET)
-	C488010-1		1	SHORT BLOCK (NOT SHOWN) INCLUDES ALL ITEMS MARKED WITH AN ASTERISK (*).
50	F8559		2	DOWEL PIN
51	FS174227		2	SPARK PLUG (L-4-J)
52	A318028-1		1	BEARING, CRANKSHAFT UPPER MAIN
53	F8025		8	PLAIN WASHER
54	F487660-1		1	EXHAUST TUBE
55	F2040		3	HEX HD SCREW, 1/4 - 20 X 5/8
56	F468342		1	SEAL
-	FG1004-1		1	GASKET SET (NOT SHOWN)
-	F18906		1	GASKET, CARBURETOR
-	F286277		1	GASKET, CRANKSHAFT BEARING CAGE
-	F318154		2	GASKET, EXHAUST
-	F318159		1	GASKET, REED PLATE
-	F318168		1	GASKET, MANIFOLD
-	F318223		1	GASKET, TRANSFER PORT
-	F318279-1		1	GASKET, CYLINDER MOUNTING
-	F318453-1		1	GASKET, LEG MOUNTING
-	F318529		1	GASKET, CYLINDER HEAD
-	F429472		1	GASKET, CYLINDER DRAIN COVER

MOTOR LEG

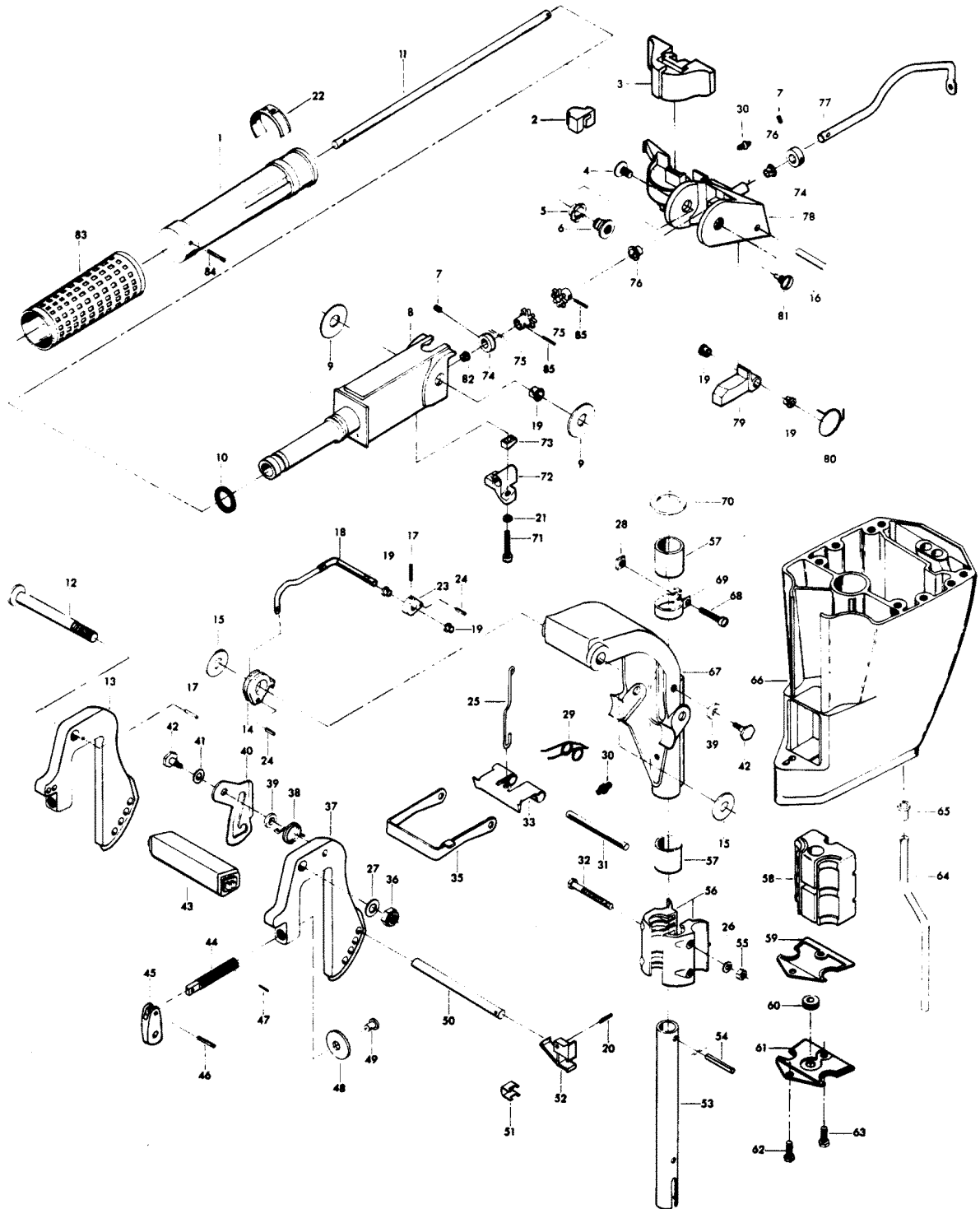


MOTOR LEG

REF. NO.	PART NO.	SYM.	QTY.	DESCRIPTION
1	FA456137		1	GRIP, STEERING HANDLE W/SLEEVE
2	F318539		1	BUMPER
3	F318347-1		1	SHOCK MOUNT UPPER
4	F1799		1	TRUSS HD SCREW, 5/16 - 18 X 5/8
5	F286818		1	BEARING, STEERING HANDLE INSERT
6	F286224		1	INSERT, STEERING HANDLE
7	F1859		2	SOCKET HD SET SCREW, 1/4 - 28 X 3/16
8	F286079-1		1	STEERING HANDLE
9	F286220		2	WASHER
10	F53795-1		1	STEERING HANDLE GRIP DAMPENER
11	F429688		1	SHAFT, STEERING HANDLE
12	F318037		1	STERN BRACKET PIVOT BOLT
13	FS567532		1	STERN BRACKET STARBOARD W/CLAMP SCREW AND FOOT
14	F286827		1	LEVER, REVERSE LOCK RELEASE
15	F286286-1		2	WASHER, STERN BRACKET
16	F1807		1	GROOVE PIN
17	F8538		2	SPRING PIN
18	FA387742		1	LEVER REVERSE LOCK INTERMEDIATE
19	F197813		5	BEARING
20	F8540		1	SPRING PIN
21	F8058		2	TOOTH LOCKWASHER
22	F286984-3		1	STEERING HANDLE INDICATOR
23	F286364		1	LEVER, REVERSE LOCK
24	F1794		2	SPRING PIN
25	FA341510		1	LINK, REVERSE LOCK LEVER
26	F8083		2	SPRING LOCKWASHER
27	F8039		1	PLAIN WASHER
28	F1608		1	NUT, 1/4 - 20
29	F286300		1	SPRING, REVERSE LOCK
30	F213274		3	GREASE FITTING
31	F1839		1	GROOVE PIN
32	FA1844		2	HEX BOLT, 1/4 - 20 X 2-3/8
33	F318349		1	REVERSE LOCK
35	F318433		1	BRACKET SHALLOW WATER DRIVE
36	F7005		1	STOP NUT, 3/8 - 16
37	FS567532		1	STERN BRACKET PORT W/CLAMP SCREW, AND FOOT
38	F286544-1		1	SPRING, TILT LOCK
39	F286451		2	SPACER, TILT LOCK
40	F429541		1	TILT LOCK
41	F1666		1	BOWED SPRING WASHER
42	F286422-1		2	TILT LOCK PIVOT
43	F318647		1	CARRYING HANDLE

CONTINUED ON NEXT PAGE ➡

MOTOR LEG

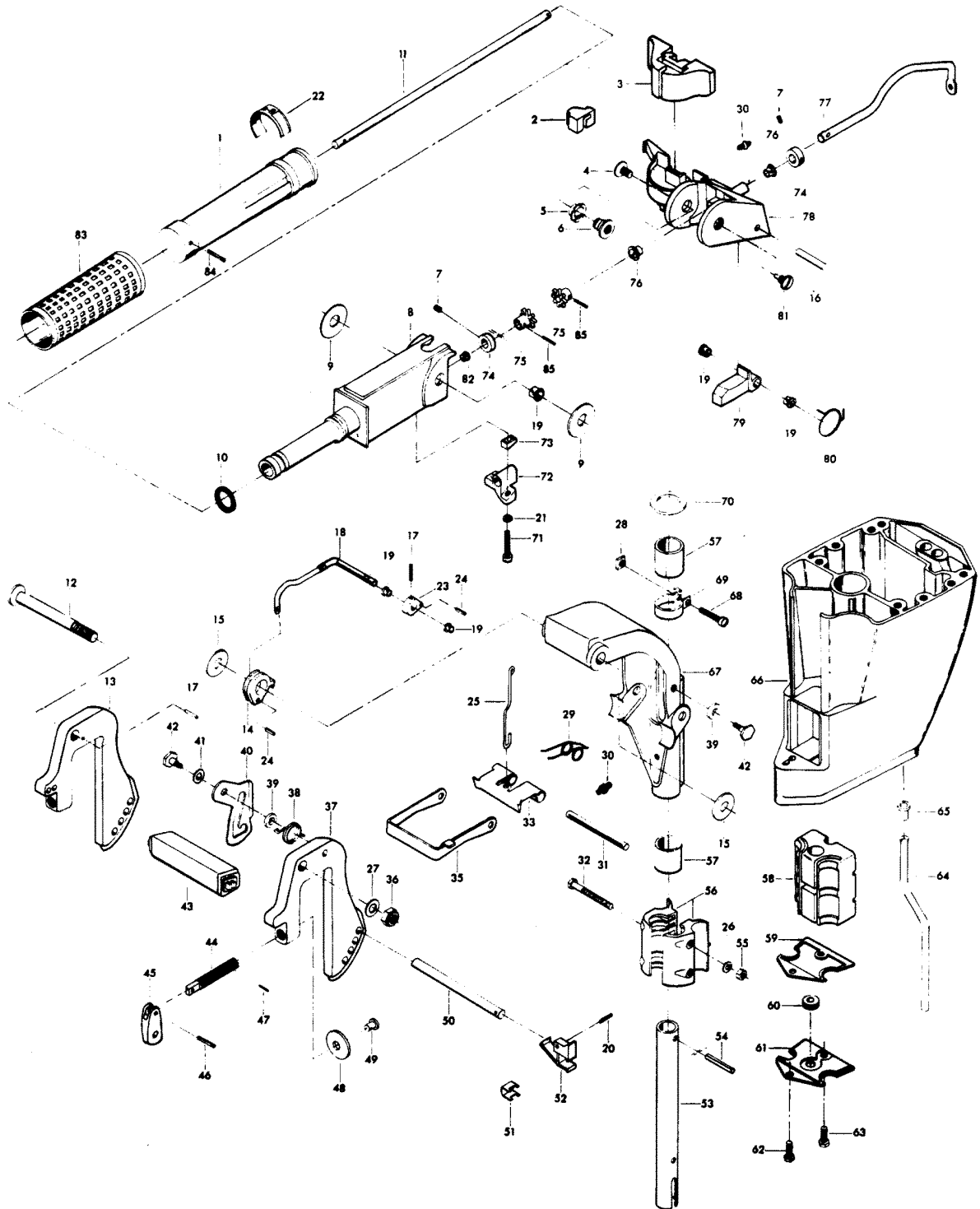


MOTOR LEG

REF. NO.	PART NO.	SYM.	QTY.	DESCRIPTION
44	817761A2		2	CLAMP SCREW W/ITEMS 47, 48 & 49 ORIGINAL FORCE P/N A298073-2
45	F424075		2	HANDLE, CLAMP SCREW
46	F8554		2	SPRING PIN
47	F8537		2	SPRING PIN
48	F24074		2	CLAMP SCREW FOOT
49	F66480		2	STUD CLAMP SCREW
50	FA318113		1	LOCK BAR W/HANDLE AND SPRING
51	F286461		1	SPRING, LOCK BAR HANDLE
52	F286114		1	LOCK BAR HANDLE
53	F318019		1	KING PIN
54	F1805		1	SPRING PIN
55	F1341		2	HEX NUT, 1/4 - 20
56	F318956		2	BRACKET SHOCK MOUNT LOWER
57	F286169		2	BEARING, SWIVEL BRACKET
58	F318346		1	SHOCK MOUNT LOWER
59	F318967		1	GASKET, SHOCK MOUNT PLATE
60	F318861		1	SEAL, SHOCK MOUNT PLATE
61	F318963		1	PLATE, SHOCK MOUNT LOWER
62	F1689		1	HEX CAP SCREW, 1/4 - 20 X 1/2
63	F1689		1	HEX CAP SCREW, 1/4 - 20 X 1/2
64	F409244		1	WATER LINE
65	F318342		1	SEAL, INLET WATER LINE UPPER
66	K429133-1		1	MOTOR LEG
67	A318072-3		1	SWIVEL BRACKET W/ITEMS 30 AND 57
68	F1820		1	FILL HD SCREW, 1/4 - 20 X 1-3/8
69	F286573-1		1	STEERING FRICTION CLAMP
70	F286011		1	WASHER, SWIVEL BRACKET
71	F1829		1	FILL HD SCREW, 10 - 24 X 7/8
72	F487816		1	BEARING, STEERING HANDLE
73	F341693		1	WEDGE, STEERING HANDLE
74	FA343178		2	RETAINER W/SET SCREW
75	43-818009--1		2	STEERING HANDLE GEAR
76	F307818		2	BEARING
77	F429838		1	SHAFT, MAGNETO CONTROL
78	817779A1		1	STEERING ARM W/ITEMS 2 AND 30 ORIGINAL FORCE P/N A341582-1
79	F286490		1	STOP, STEERING HANDLE
80	F286868		1	SPRING, STEERING HANDLE STOP
81	F286080		1	SCREW, STEERING HANDLE PIVOT
82	F85610		1	BEARING
83	F458695		1	SLEEVE
84	F8548		1	SPRING PIN
85	F1978		2	SPRING PIN

CONTINUED ON NEXT PAGE ➡

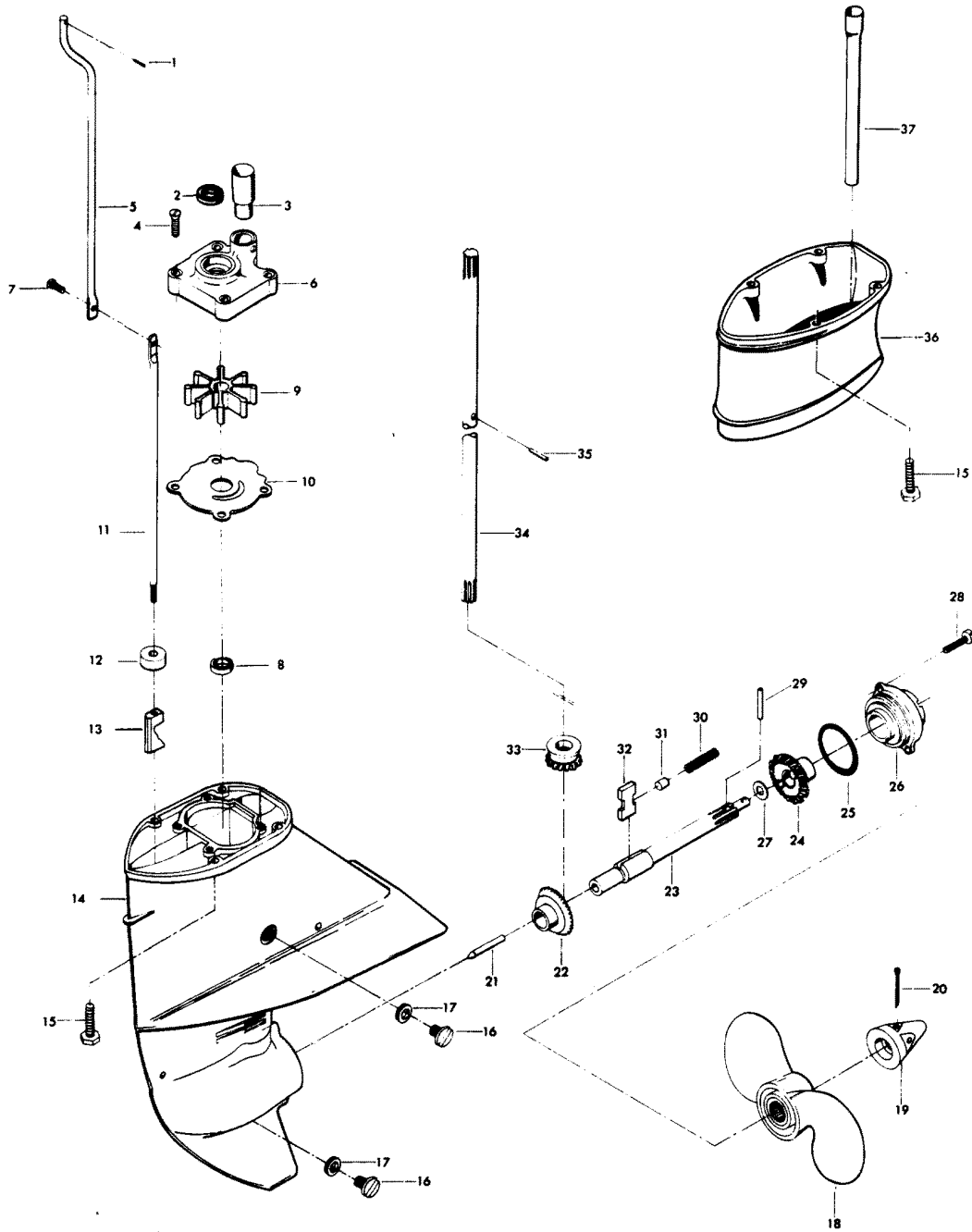
MOTOR LEG



MOTOR LEG

REF. NO.	PART NO.	SYM.	QTY.	DESCRIPTION
-	F286585-1		1	DECAL, TILT RELEASE (NOT SHOWN)

GEAR HOUSING

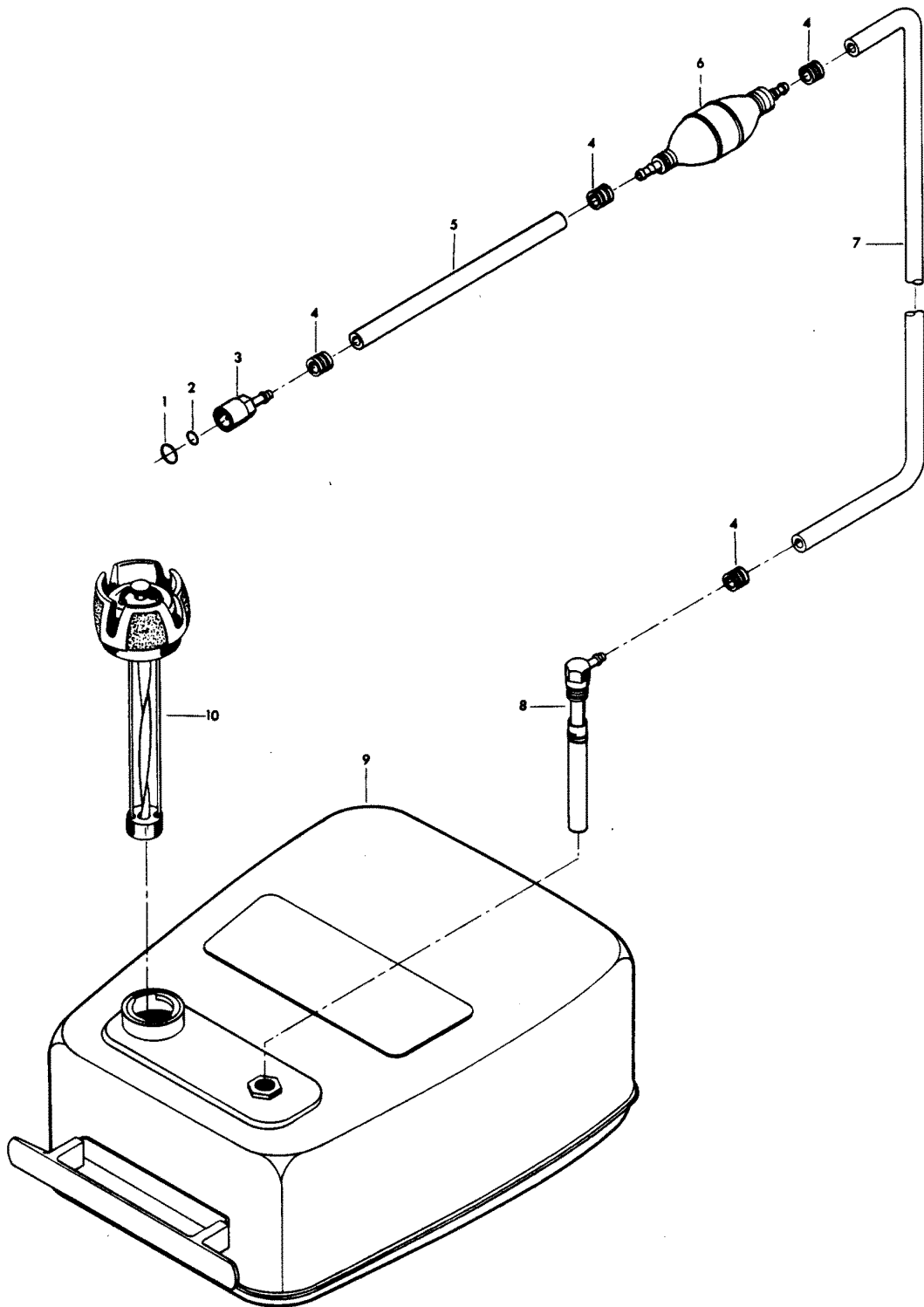


4 E

GEAR HOUSING

REF. NO.	PART NO.	SYM.	QTY.	DESCRIPTION
1	F1850		1	SPRING PIN
2	F318307		1	SEAL, WATER PUMP
3	FA510914		1	SEAL, INLET WATER LINE
4	F2030		4	FLAT HD SCREW, 1/4 - 20 X 1-1/8
5	F318615		1	GEAR SHIFT ROD UPPER
6	FA516060		1	WATER PUMP BODY W/WATER PUMP SEAL
7	F1976		1	SOCKET HD SCREW W/WASHER, 10 - 24 X 1/2
8	F318307		1	SEAL, DRIVESHAFT
9	F429065-1		1	WATER PUMP IMPELLER
10	F341562		1	WATER PUMP BACK PLATE
11	F286705		1	GEAR SHIFT ROD LOWER, FOR STANDARD SHAFT MODELS
-	F330705		1	GEAR SHIFT ROD LOWER, FOR LONG SHAFT MODELS
12	318618		1	SEAL, GEAR SHIFT ROD LOWER
13	F387721		1	CLUTCH, SHIFT CAM
14	FA430054		1	GEAR HOUSING W/BEARINGS AND ITEMS 8, 12, 16 & 17
15	F430732		8	HEX HD SCREW, 5/16 - 18 X 1-1/4
16	F50109		2	GEAR HOUSING PLUG
17	F8077		2	NYLTITE WASHER
18	FP488		1	PROPELLER (8 H.P.) (ACCESSORY ITEM)
19	11-817752A1		1	PROPELLER NUT W/COTTER PIN
20	F1846		1	COTTER PIN
21	F901728		1	CLUTCH SHIFT PIN
22	43-817770A3		1	BEVEL GEAR W/BEARING
23	FA409098		1	PROPELLER SHAFT W/ITEMS 27 AND 30
24	43-817770A3		1	BEVEL GEAR W/BEARING
25	F286305		1	SEAL, PROPELLER SHAFT BEARING CAGE
26	31-818051A1		1	PROPELLER SHAFT BEARING CAGE W/BEARING AND SEAL
27	F317717		1	WASHER
28	F1802		2	FILL HD SCREW, 1/4 - 20 X 9/16
29	FA324101		1	PROPELLER PIN, PACK OF 3
30	F409719		1	CLUTCH SPRING
31	F318372		1	PIN, CLUTCH GUIDE
32	F409521		1	CLUTCH
33	F318266		1	GEAR, BEVEL PINION
34	FS318128		1	DRIVESHAFT, FOR STANDARD SHAFT MODELS
-	F332128		1	DRIVESHAFT, FOR LONG SHAFT MODELS
35	F50563		1	WATER PUMP IMPELLER DRIVE PIN
36	FA487845		1	MOTOR LEG EXTENSION, FOR LONG SHAFT MODELS
37	FS901244		1	INLET WATER LINE EXTENSION, FOR LONG SHAFT MODELS
-	FC430054		1	GEAR HOUSING COMPLETE (NOT SHOWN) INCLUDES ALL ITEMS MARKED WITH AN ASTERISK (*).

FUEL TANK AND LINE



FUEL TANK AND LINE

REF. NO.	PART NO.	SYM.	QTY.	DESCRIPTION
1	F213342		1	SEAL, FUEL LINE COUPLER
2	F213735		1	SEAL, FUEL LINE COUPLER
3	F197787-2		1	FUEL LINE COUPLER
4	F298788		4	FERRULE
5	FA84754-1		1	FUEL LINE SHORT W/FERRULES
6	89396A38		1	PRIME BULB
7	32-817738A1		1	FUEL LINE, LONG W/CLAMP AND FERRULE
8	F487755		1	FUEL TANK ADAPTER
9	F5H027		1	FUEL TANK (ACCESSORY ITEM)
10	F409251-1		1	GAUGE CAP
-	FS409752		1	FUEL LINE COMPLETE (NOT SHOWN)

SPECIAL TOOLS - TUNE-UP

REF. NO.	PART NO.	SYM.	QTY.	DESCRIPTION
-	FT8965		0	KNOCK-OFF NUT TO REMOVE FLYWHEEL
-	FT2989		0	FLYWHEEL WEDGE TO REMOVE FLYWHEEL

SPECIAL TOOLS - STARTER

REF. NO.	PART NO.	SYM.	QTY.	DESCRIPTION
-	FT2985		0	STARTER REWIND KEY TO REWIND STARTER SPRING

SPECIAL TOOLS - POWER HEAD

REF. NO.	PART NO.	SYM.	QTY.	DESCRIPTION
-	FT8949		0	SEAL INSTALLER TO INSTALL UPPER CRANKSHAFT BEARING CAGE SEAL
-	FT8929		0	ADAPTER AND HEX BIT TO TORQUE CONNECTING ROD SCREWS
-	FT2997		0	RING COMPRESSOR TO INSTALL PISTONS IN CYLINDERS
-	FT8926		0	PISTON RING EXPANDER TO INSTALL RINGS ON PISTONS

SPECIAL TOOLS - LOWER UNIT

REF. NO.	PART NO.	SYM.	QTY.	DESCRIPTION
-	FT2915		0	SEAL INSTALLER TO INSTALL DRIVESHAFT SEAL
-	FT2907		0	SEAL INSTALLER TO INSTALL PROPELLER SHAFT SEAL
-	FT2993		0	BEARING CAGE PULLER TO REMOVE PROPELLER SHAFT BEARING CAGE

SPECIAL TOOLS - TEST EQUIPMENT

REF. NO.	PART NO.	SYM.	QTY.	DESCRIPTION
-	FT8438		0	TEST WHEEL (6 H.P.) TO TEST MOTOR IN TEST TANK
-	FT8950		0	LEAKAGE TESTER TO TEST LOWER UNIT SEALS FOR LEAKS
-	T8974		0	BREAKER POINT TENSION GAUGE FOR CHECKING BREAKER POINT SPRING TENSION

ACCESSORIES

REF. NO.	PART NO.	SYM.	QTY.	DESCRIPTION
-	F5H025		0	ANTI-CORROSION SACRIFICIAL ANODE USED TO HELP PREVENT CORROSION.
-	FK1018-1		0	5" LONG LEG CONVERSION KIT CONVERTS 15" STANDARD SHAFT MODEL TO 20" LONG SHAFT MODEL.
-	F5H056		0	15" LONG LEG CONVERSION KIT CONVERTS 15" STANDARD SHAFT OR 20" LONG SHAFT MODEL TO 30" LONG SHAFT MODEL.
-	F588		0	FLUSHING ADAPTER PERMITS FRESH WATER FLUSHING OF WATER PASSAGES WITH STANDARD GARDEN HOSE.
-	F5H062		0	WATER PUMP KIT HEAVY DUTY WATER PUMP RECOMMENDED FOR CONTINUED OPERATION IN SANDY OR SALT WATER.
-	F5H053		0	REMOTE CONTROL CONVERSION KIT PERMITS REMOTE CONTROL OF THROTTLE, GEAR SHIFT AND STEERING FROM FRONT OF BOAT.
-	F5H063		0	SYNCHRO-DRIVE CONTROL BOX (SINGLE LEVER) PERMITS REMOTE CONTROL OF THROTTLE AND GEAR SHIFT FROM STARBOARD SIDE OF BOAT.
-	5H067		0	PORT SIDE DECAL KIT CONVERTS 72H36 CONTROL BOX TO PORT SIDE MOUNTING.
-	F866		0	DUO-DRIVE CONTROL BOX (TWIN LEVER) PERMITS REMOTE CONTROL OF THROTTLE AND GEAR SHIFT. MAY BE MOUNTED ON PORT OR STARBOARD SIDE OF BOAT.
-	865		0	TWIN SYNCHRO-DRIVE CONTROL BOX PERMITS REMOTE CONTROL OF THROTTLE AND GEAR SHIFT ON TWIN ENGINE INSTALLATIONS. MAY BE MOUNTED ON PORT OR STARBOARD SIDE OF BOAT.
-	F137		0	REMOTE STEERING BRACKET ADAPTS MOTOR TO CABLE TYPE REMOTE STEERING.
-	F165		0	REMOTE STEERING BRACKET W/PULLEYS ADAPTS MOTOR TO CABLE TYPE REMOTE STEERING.
-	167		0	IGNITION CUT-OFF KIT PERMITS STOPPING OF ENGINE FROM OPERATORS SEAT.
-	F195/___		0	REMOTE CONTROL CABLES CONNECTS REMOTE CONTROL BOX TO THROTTLE AND GEAR SHIFT ON MOTOR. AVAILABLE IN 6 THROUGH 20 FOOT LENGTHS.
-	F5H054		0	REMOTE STEERING BRACKET ADAPTS MOTOR TO REMOTE STEERING.
-	F5H027		0	STEEL, 6 GALLON FUEL TANK W/HOSE
-	F5H029		0	FUEL TANK ANCHOR RETAIN MODEL 5H027 TANK TO BOAT FLOOR.
-	F476		0	FUEL LINE ADAPTION KIT ADAPTS MODEL 583 TANK FOR AUTOMATIC VENT AND DISCONNECT AT TANK.
-	491		0	CARRYING HANDLE CARRYING HANDLE FOR MOUNTING ON REAR OF SUPPORT PLATE.
-	72H02		0	CARRYING BAG CANVAS BAG FOR TRANSPORTING AND STORING ENGINE.
-	F5H134		0	BOAT WHITE LACQUER ENGINE TOUCH-UP PAINT IN 12 3/4 OZ. SPRAY BOMBS (6 CANS PER CASE).

SPECIFICATIONS

REF. NO.	PART NO.	SYM.	QTY.	DESCRIPTION
-			0	HORSEPOWER 8 B.I.A. CERTIFIED BRAKE H.P. AT 5000 R.P.M.
-			0	ENGINE TWO-CYCLE, TWIN CYLINDER, ALTERNATE FIRING.
-			0	BORE AND STROKE 2" X 1-5/8" (8 H.P.).
-			0	DISPLACEMENT 10.2 CUBIC INCHES (8 H.P.).
-			0	CARBURETOR FLOAT FEED.
-			0	CONNECTING ROD DIE CAST ALUMINUM - STEEL LINERS WITH NEEDLE BEARINGS AT CRANKSHAFT.
-			0	CRANKSHAFT FORGED NICKEL STEEL, BALL BEARINGS AT UPPER MAIN. FULL COMPLEMENT NEEDLE ROLLERS AT CENTER MAIN.
-			0	RECOMMENDED OPERATING RANGE 4500 - 5500 R.P.M.
-			0	FUEL TANK SEPARATE STEEL TANK - 6 U.S. GALLONS, 5 IMPERIAL GALLONS
-			0	PROPELLER SHAFT AND DRIVESHAFT STAINLESS STEEL, HARDENED, GROUND AND POLISHED.
-			0	PROPELLER ALUMINUM ALLOY - 8" DIAMETER, 5" PITCH RIGHT HAND ROTATION.
-			0	COOLING WATER COOLED - POSITIVE DISPLACEMENT TYPE WATER PUMP.
-			0	TRANSOM HEIGHT 15" OR 20".
-			0	WEIGHT 49 POUNDS FOR STANDARD SHAFT MODELS (8 H.P.).
-			0	TILT LOCK POSITIVE TILT LOCK PERMITS ENGINE TO REMAIN IN TILTED POSITION WHEN NOT IN USE.

LUBRICATION CHART

REF. NO.	PART NO.	SYM.	QTY.	DESCRIPTION
-			0	STARTER PINION GEAR SAE 30 MOTOR OIL, IF STARTER OPERATION BECOMES SLUGGISH
-			0	STARTER SPOOL BEARINGS SAE 30 MOTOR OIL, IF STARTER OPERATION BECOMES SLUGGISH
-			0	THROTTLE CAM FOLLOWER SAE 30 MOTOR OIL, TWICE EACH SEASON, OFTENER IF REQUIRED
-			0	MAGNETO CONTROL SHAFT BEARINGS SAE 30 MOTOR OIL, TWICE EACH SEASON, OFTENER IF REQUIRED.
-			0	STEERING HANDLE PINION GEAR EP-ALL PURPOSE CHASSIS LUBRICATION, TWICE EACH SEASON, OFTENER IF REQUIRED
-			0	STEERING HANDLE BEVEL GEAR EP-ALL PURPOSE CHASSIS LUBRICATION, TWICE EACH SEASON, OFTENER IF REQUIRED
-			0	REVERSE LOCK SAE 30 MOTOR OIL, TWICE EACH SEASON, OFTENER IF REQUIRED
-			0	CLAMP SCREWS SAE 30 MOTOR OIL, TWICE EACH SEASON, OFTENER IF REQUIRED
-			0	STERN BRACKET PIVOT BOLT SAE 30 MOTOR OIL, TWICE EACH SEASON, OFTENER IF REQUIRED
-			0	GEAR HOUSING CHRYSLER OUTBOARD GEAR LUBE, EVERY 30 HOURS, OFTENER IF REQUIRED
-			0	FUEL LINE COUPLER RELEASE RING SAE 30 MOTOR OIL, TWICE EACH SEASON, OFTENER IF REQUIRED
-			0	GREASE FITTINGS GREASE FITTINGS ARE PROVIDED AT CRITICAL POINTS WHERE BEARING SURFACES ARE NOT EXPOSED EXTERNALLY. USING AN AUTOMOTIVE TYPE GREASE GUN AND LUBRICANT, GREASE TWICE EACH SEASON OR OFTENER IF REQUIRED.

SPECIAL ADJUSTMENTS

REF. NO.	PART NO.	SYM.	QTY.	DESCRIPTION
-			0	BREAK POINT GAP .020".
-			0	SPARK PLUG CHAMPION L-4-J, GAP .030".
-			0	ADJUSTING STEERING TENSION STEERING TENSION CAN BE ADJUSTED BY TURNING THE ONE (1) STEERING FRICTION ADJUSTING SCREW, ILLUSTRATION 68, PAGE 13, IN THE DIRECTION REQUIRED.
-			0	POINT OF THROTTLE OPENING SET THE POSITION OF THE THROTTLE CAM FOLLOWER ROLLER, ILLUSTRATION 51, PAGE 9 SO THAT THE THROTTLE SHUTTER IN THE CARBURETOR WILL BE
-			0	FLYWHEEL NUT

PARTS INDEX

Part Number	Description	Pg.	Ref. No.	Part Number	Description	Pg.	Ref. No.
167	IGNITION CUT-OFF KIT	33	-	F12088	GROMMET	7	19
2A341167	MANIFOLD W/STUDS, PULLEY AND SPRING PIN	13	55	F12091	LEAD WIRE MARKER, TOP (NOT SHOWN)	7	-
2C488712	ENGINE COVER, COMPLETE	3	-	F12114	SCREW, COIL GROUND TERMINAL	7	26
318318	ROLLER, THROTTLE CAM FOLLOWER	13	51	F12127	STUD NUT	7	21
318618	SEAL, GEAR SHIFT ROD LOWER	25	12	F12128	INSULATOR, OUTSIDE	7	23
491	CARRYING HANDLE	33	-	F12129	INSULATOR, INSIDE	7	25
5H067	PORT SIDE DECAL KIT	33	-	F12141	SLEEVE, HIGH TENSION LEAD	7	27
72H02	CARRYING BAG	33	-	F12142	CONNECTION STUD	7	24
817754A1	ARM, CARBURETOR ADJUSTING	11	15	F12146	COIL WEDGE SPRING	7	15
817758A1	BRACKET, COVER LATCH W/SCREWS, NUTS AND ROLLER	3	14	F12153	BREAKER POINT SET	7	6
817761A2	CLAMP SCREW	21	44	F12170	CONTACT SCREW W/LOCKWASHER	7	4
817773A1	THROTTLE CAM FOLLOWER	13	47	F12181-1	CONDENSER	7	8
817779A1	STEERING ARM	21	78	F12228	CAM WIPER FELT	7	5
817938A1	RETAINER, STARTER ROPE HANDLE	9	21	F12343	STATOR PLATE W/LAMINATIONS	7	9
865	TWIN SYNCHRO-DRIVE CONTROL BOX	33	-	F1286	PAN HD SCREW, 4 - 40 X 3/16	11	4
89396A38	PRIME BULB	27	6	F1293	DRIVE SCREW, 2 X 3/16 . . .	5	42
A317711-2	PLATE, FRONT	5	53	F1335	FILL HD SCREW, 5/16 - 18 X 1-1/4	15	30
A318018-2	CRANKSHAFT W/UPPER MAIN BEARING	15	23	F1341	HEX NUT, 1/4 - 20	21	55
A318028-1	BEARING, CRANKSHAFT UPPER MAIN	17	52	F1352	HEX NUT, 7/16 - 20	7	1
A318038-4	SUPPORT PLATE W/EYELET AND PLUGS	3	37	F1365	SQUARE NUT, 10 - 24	11	17
A318072-3	SWIVEL BRACKET	21	67	F137	REMOTE STEERING BRACKET	33	-
A318229-1	CONNECTING ROD LINER (2 PER SET)	15	27	F141118	SEAL, CRANKSHAFT	15	14
A488010-1	CYLINDER	15	5	F1475	FILL HD SCREW, 10 - 24 X 1/2	3	9
C488010-1	SHORT BLOCK (NOT SHOWN)	17	-	F1490	HEX NUT, 1/4 - 20	13	50
F10006	GASKET SET (NOT SHOWN)	13	-	F1502	HEX CAP SCREW, 1/4 - 20 X 5/8	15	12
F10008	REPAIR PARTS KIT (NOT SHOWN)	13	-	F154415	WASHER	3	27
F1052	FILL HD SCREW, 1/4 - 20 X 1	15	39	F154415	WASHER	5	49
F1068	FILL HD SCREW, 10 - 24 X 7/16	3	30	F1574	FILL HD SCREW, 1/4 - 20 X 9/16	3	16
F1069	FILL HD SCREW, 10 - 24 X 1- 1/16	11	1	F1608	NUT, 1/4 - 20	19	28
F1075	FILL HD SCREW, 10 - 24 X 1/2	7	12	F165	REMOTE STEERING BRACKET W/PULLEYS	33	-
F1089	FILL HD SCREW, 10 - 24 X 9/16	9	1	F1666	BOWED SPRING WASHER . .	19	41
F1090	FILL HD SCREW W/LOCKWASHER, 10 - 24 X 9/16	7	16	F1689	HEX CAP SCREW, 1/4 - 20 X 1/2	3	34
F1107	FILL HD SCREW, 1/4 - 20 X 3/4	9	11	F1689	HEX CAP SCREW, 1/4 - 20 X 1/2	21	62
F1107	FILL HD SCREW, 1/4 - 20 X 3/4	15	31	F1689	HEX CAP SCREW, 1/4 - 20 X 1/2	21	63
F1111	FILL HD SCREW, 1/4 - 20 X 1	15	29	F1753	FASTENER	3	4
F1111	FILL HD SCREW, 1/4 - 20 X 7/8	15	13	F1755	ROUND HD SCREW W/LOCKWASHER, 6 - 32 X 1/4	13	61
				F1794	SPRING PIN	19	24
				F1799	TRUSS HD SCREW, 5/16 - 18 X 5/8	19	4
				F1802	FILL HD SCREW, 1/4 - 20 X 9/16	25	28
				F1803	STOP NUT, 5/16 - 24	15	36
				F1804	STOP NUT	3	18

PARTS INDEX

Part Number	Description	Pg.	Ref. No.	Part Number	Description	Pg.	Ref. No.
F1804	STOP NUT	9	8	F286134	STUD	3	22
F1805	SPRING PIN	21	54	F286134	STUD	9	5
F1807	GROOVE PIN	19	16	F286169	BEARING, SWIVEL BRACKET	21	57
F18160-1	REED, FUEL PUMP	11	6	F286220	WASHER	19	9
F1820	FILL HD SCREW, 1/4 - 20 X 1-3/8	21	68	F286224	INSERT, STEERING HANDLE	19	6
F1823	HEX HD CAP SCREW, 5/16 - 18 X 1	15	6	F286277	GASKET, CRANKSHAFT BEARING CAGE	15	16
F1829	FILL HD SCREW, 10 - 24 X 7/8	21	71	F286277	GASKET, CRANKSHAFT BEARING CAGE	17	-
F1834	FILL HD SCREW, 10 - 24 X 7/8	11	14	F286282	WASHER	15	35
F183813	BEARING, MAGNETO CONTROL LEVER	15	33	F286286-1	WASHER, STERN BRACKET	19	15
F1839	GROOVE PIN	19	31	F286300	SPRING, REVERSE LOCK	19	29
F184579	SEAL	3	20	F286305	SEAL, PROPELLER SHAFT BEARING CAGE	25	25
F1846	COTTER PIN	25	20	F286364	LEVER, REVERSE LOCK	19	23
F1850	SPRING PIN	25	1	F286422-1	TILT LOCK PIVOT	19	42
F1859	SOCKET HD SET SCREW, 1/4 - 28 X 3/16	19	7	F286440	STUD, MAGNETO CONTROL LEVER	15	28
F1875	SPRING PIN, STARTER BRACKET	9	18	F286451	SPACER, TILT LOCK	19	39
F1876	SPRING PIN	13	56	F286461	SPRING, LOCK BAR HANDLE	21	51
F18906	CARBURETOR GASKET	13	53	F286490	STOP, STEERING HANDLE	21	79
F18906	GASKET, CARBURETOR	17	-	F286544-1	SPRING, TILT LOCK	19	38
F1912	HEX HD SCREW, 10 - 24 X 1/2	11	13	F286571	CENTER MAIN BEARING ROLLERS (26 PER SET)	15	22
F1914	HEX HD SCREW, 1/4 - 20 X 3/4	13	48	F286573-1	STEERING FRICTION CLAMP	21	69
F1915	HEX HD SCREW, 1/4 - 20 X 7/8	15	44	F286585-1	DECAL, TILT RELEASE (NOT SHOWN)	23	-
F1922	HEX HD SCREW, 1/4 - 20 X 5/8	15	9	F286614	GEAR SHIFT HANDLE	5	45
F195/___ F1976	REMOTE CONTROL CABLES SOCKET HD SCREW W/WASHER, 10 - 24 X 1/2	33 25	- 7	F286634-1	CONNECTING ROD SCREW	15	25
F197767-1	BUSHING, FUEL LINE	5	50	F286705	GEAR SHIFT ROD LOWER, FOR STANDARD SHAFT MODELS	25	11
F197787-2	FUEL LINE COUPLER	27	3	F286710	ARBOR, STARTER SPRING	9	9
F1978	SPRING PIN	21	85	F286737-1	RETAINER, STARTER REWIND SPRING	9	14
F197813	BEARING	19	19	F286777	CAM, COVER LATCH	3	39
F2030	FLAT HD SCREW, 1/4 - 20 X 1-1/8	25	4	F286818	BEARING, STEERING HANDLE INSERT	19	5
F2040	HEX HD SCREW, 1/4 - 20 X 5/8	17	55	F286827	LEVER, REVERSE LOCK RELEASE	19	14
F2042	PLAIN WASHER	9	24	F286868	SPRING, STEERING HANDLE STOP	21	80
F213274	GREASE FITTING	19	30	F286930	END, STARTER SPRING	9	15
F213342	SEAL, FUEL LINE COUPLER	27	1	F286984-3	STEERING HANDLE INDICATOR	19	22
F213735	SEAL, FUEL LINE COUPLER	27	2	F289664	WIRE, STATOR GROUND	7	11
F24074	CLAMP SCREW FOOT	21	48	F298788	FERRULE	27	4
F24748-2	GASKET, FUEL PUMP COVER	11	3	F2A430016	CONNECTING ROD W/CAP AND SCREWS	15	20
F269316	ROLLER SHAFT	3	12	F2A459239	STARTER SPOOL W/SHAFT	9	16
F2706772	HOSE CLAMP	11	10	F307818	BEARING	3	31
F2788004	STUD, CARBURETOR	13	54	F307818	BEARING	21	76
F286011	WASHER, SWIVEL BRACKET	21	70	F31160-1	REED	13	59
F286079-1	STEERING HANDLE	19	8	F31410	RETAINING RING, PISTON PIN	15	18
F286080	SCREW, STEERING HANDLE PIVOT	21	81	F317717	WASHER	25	27
F286114	LOCK BAR HANDLE	21	52	F318019	KING PIN	21	53
F286132	HANDLE, STARTER ROPE	9	20				

PARTS INDEX

Part Number	Description	Pg.	Ref. No.	Part Number	Description	Pg.	Ref. No.
F318037	STERN BRACKET PIVOT BOLT	19	12	F341384	RETAINER, CHOKE ROD	13	45
F318097	FLYWHEEL	7	3	F341562	WATER PUMP BACK PLATE	25	10
F318151	PLATE, EXHAUST	17	47	F341693	WEDGE, STEERING HANDLE	21	73
F318152	COVER, EXHAUST	15	45	F343014	BEARING, CRANKSHAFT LOWER MAIN	15	42
F318154	GASKET, EXHAUST	17	-	F343226-1	PLUG	5	52
F318154	GASKET, EXHAUST COVER	15	46	F387445-1	LINK, MAGNETO CONTROL ROD	15	32
F318159	GASKET, REED PLATE	13	62	F387721	CLUTCH, SHIFT CAM	25	13
F318159	GASKET, REED PLATE	17	-	F388061-3	CARBURETOR COMPLETE (CO6C)	11	40
F318168	GASKET, MANIFOLD	13	57	F388226-1	PLUG	3	38
F318168	GASKET, MANIFOLD	17	-	F40425	STARTER, PINION PIN	9	10
F318222-1	TRANSFER PORT COVER	15	11	F409232	STARTER ROPE	9	19
F318223	GASKET, TRANSFER PORT	17	-	F409244	WATER LINE	21	64
F318223-1	GASKET, TRANSFER PORT COVER	15	10	F409251-1	GAUGE CAP	27	10
F318228	CONNECTING ROD, ROLLER SET (24 PER SET)	15	26	F409521	CLUTCH	25	32
F318266	GEAR, BEVEL PINION	25	33	F409719	CLUTCH SPRING	25	30
F318279-1	GASKET, CYLINDER MOUNTING	15	41	F424075	HANDLE, CLAMP SCREW	21	45
F318279-1	GASKET, CYLINDER MOUNTING	17	-	F424161	REED STOP	13	60
F318307	SEAL, DRIVESHAFT	25	8	F429065-1	WATER PUMP IMPELLER	25	9
F318307	SEAL, WATER PUMP	25	2	F429472	GASKET, CYLINDER DRAIN COVER	15	7
F318342	SEAL, INLET WATER LINE UPPER	21	65	F429472	GASKET, CYLINDER DRAIN COVER	17	-
F318346	SHOCK MOUNT LOWER	21	58	F429541	TILT LOCK	19	40
F318347-1	SHOCK MOUNT UPPER	19	3	F429688	SHAFT, STEERING HANDLE	19	11
F318349	REVERSE LOCK	19	33	F429811	SCREENS, CYLINDER DRAIN	15	2
F318372	PIN, CLUTCH GUIDE	25	31	F429838	SHAFT, MAGNETO CONTROL	21	77
F318433	BRACKET SHALLOW WATER DRIVE	19	35	F430017	PISTON PIN	15	19
F318453-1	GASKET, LEG MOUNTING	5	44	F430732	HEX HD SCREW, 5/16 - 18 X 1-1/4	25	15
F318453-1	GASKET, LEG MOUNTING	17	-	F458498	MAGNETO KEY	7	14
F318504	GROMMET, CHOKE ROD	5	54	F458677	INSERT, CHOKE KNOB	5	43
F318509-3	LINK, THROTTLE CAM	15	40	F458695	SLEEVE	21	83
F318518-4	CYLINDER HEAD	15	3	F468342	SEAL	17	56
F318529	CYLINDER HEAD GASKET	15	4	F476	FUEL LINE ADAPTION KIT	33	-
F318529	GASKET, CYLINDER HEAD	17	-	F487180	TRIM, ENGINE COVER, REAR	3	6
F318539	BUMPER	19	2	F487226	PLUG	3	36
F318611-1	GEAR SHIFT ROD	3	26	F487263	LINK, STARTER INTERLOCK	3	21
F318615	GEAR SHIFT ROD UPPER	25	5	F487392	DECAL, PORT, "CHRYSLER"	3	8
F318647	CARRYING HANDLE	19	43	F487396	DECAL, STARBOARD "CHRYSLER"	3	-
F318756	PACKING, SUPPORT PLATE	3	35	F487417	GEAR SHIFT HANDLE SHAFT	5	47
F318818	BEARING	3	17	F487424-1	STARTER PINION SPRING	9	3
F318861	SEAL, SHOCK MOUNT PLATE	21	60	F487427-1	BRACKET, STARTER UPPER	9	4
F318871	SHAFT, GEAR SHIFT LEVER	3	33	F487435	PULLEY, STARTER ROPE	13	49
F318876-1	GEAR SHIFT LEVER	3	29	F487619	LEVER, GEAR SHIFT SHAFT	3	23
F318895	SPRING, SHIFT DETENT	3	32	F487660-1	EXHAUST TUBE	17	54
F318956	BRACKET SHOCK MOUNT LOWER	21	56	F487674	GEAR, STARTER PINION	9	2
F318963	PLATE, SHOCK MOUNT LOWER	21	61	F487711	PLATE, ENGINE COVER	3	2
F318967	GASKET, SHOCK MOUNT PLATE	21	59	F487727	BALL, INTERLOCK DETENT	9	22
F330705	GEAR SHIFT ROD LOWER, FOR LONG SHAFT MODELS	25	-	F487755	FUEL TANK ADAPTER	27	8
				F487781-3	STARTER INTERLOCK	9	7
				F487816	BEARING, STEERING HANDLE	21	72

PARTS INDEX

Part Number	Description	Pg.	Ref. No.	Part Number	Description	Pg.	Ref. No.
F487895	SPRING INTERLOCK DETENT	9	23	F901728	CLUTCH SHIFT PIN	25	21
F50109	GEAR HOUSING PLUG	25	16	F901746-2	FUEL PUMP COVER	11	2
F50563	WATER PUMP IMPELLER DRIVE PIN	25	35	F901811	FUEL PUMP FILTER	11	9
F516754	FUEL LINE W/CLAMPS	11	11	F901938-1	SCREW, CYLINDER HEAD	15	1
F53795-1	STEERING HANDLE GRIP DAMPENER	19	10	F92759	ROLLER	3	13
F588	FLUSHING ADAPTER	33	-	FA12345	COIL W/LEAD WIRE	7	17
F59002	MAGNETO BREAKER CAM, WICO 11417	7	13	FA1844	HEX BOLT, 1/4 - 20 X 2-3/8	19	32
F5H025	ANTI-CORROSION SACRIFICIAL ANODE	33	-	FA24754-1	FUEL LINE W/CLAMPS	11	12
F5H027	FUEL TANK (ACCESSORY ITEM)	27	9	FA24757-3	FUEL PUMP REED PLATE W/REEDS AND SCREWS	11	7
F5H027	STEEL, 6 GALLON FUEL TANK W/HOSE	33	-	FA286155	MAIN BEARING LINER SET (2 PER SET)	15	21
F5H029	FUEL TANK ANCHOR	33	-	FA286469	KNOB, COVER LATCH	5	51
F5H053	REMOTE CONTROL CONVERSION KIT	33	-	FA286480	RETAINER, ENGINE COVER W/SCREWS AND NUTS	3	10
F5H054	REMOTE STEERING BRACKET	33	-	FA286970	STARTER REWIND SPRING W/END AND RETAINER	9	13
F5H056	15" LONG LEG CONVERSION KIT	33	-	FA318113	LOCK BAR W/HANDLE AND SPRING	21	50
F5H062	WATER PUMP KIT	33	-	FA318144	CAGE, CRANKSHAFT BEARING W/SEAL	15	15
F5H063	SYNCHRO-DRIVE CONTROL BOX (SINGLE LEVER)	33	-	FA318503	CHOKE ROD W/KNOB AND INSERT	5	55
F5H134	BOAT WHITE LACQUER	33	-	FA324101	PROPELLER PIN, PACK OF 3	25	29
F66193	THROTTLE LINK	11	16	FA341510	LINK, REVERSE LOCK LEVER	19	25
F66480	STUD CLAMP SCREW	21	49	FA343178	RETAINER W/SET SCREW	21	74
F7005	STOP NUT, 3/8 - 16	19	36	FA387081	LEVER, MAGNETO CONTROL	15	34
F7006	STOP NUT, 5/16 - 18	3	40	FA387158	REED PLATE W/REEDS, STOPS AND SCREWS	13	58
F7011	ELASTIC STOP NUT, 10 - 24	3	11	FA387742	LEVER REVERSE LOCK INTERMEDIATE	19	18
F7011	STOP NUT, 10 - 24	3	15	FA409098	PROPELLER SHAFT	25	23
F73082	MAGNETO STATOR RING	15	17	FA429471	CYLINDER DRAIN COVER W/CHECK VALVES AND SCREENS	15	8
F78410	RETAINER	13	52	FA430015	PISTON	17	48
F8003	PLAIN WASHER	11	5	FA430054	GEAR HOUSING	25	14
F8011	PLAIN WASHER	3	19	FA456137	GRIP, STEERING HANDLE W/SLEEVE	19	1
F8011	PLAIN WASHER	9	6	FA487528	INSERT, TRIM REAR	3	7
F8025	PLAIN WASHER	17	53	FA487845	MOTOR LEG EXTENSION, FOR LONG SHAFT MODELS	25	36
F8039	PLAIN WASHER	19	27	FA487892	INSERT, PLATE FRONT - USA	3	1
F8049	BOWED WASHER	5	48	FA510914	SEAL, INLET WATER LINE	25	3
F8055	LOCKWASHER	7	22	FA516060	WATER PUMP BODY W/WATER PUMP SEAL	25	6
F8058	TOOTH LOCKWASHER	19	21	FA77395-5	PLATE, IDENTIFICATION W/SCREWS FOR USA MODELS	5	41
F8077	NYLTITE WASHER	25	17	FA84754-1	FUEL LINE SHORT W/FERRULES	27	5
F8083	SPRING LOCKWASHER	19	26	FC430054	GEAR HOUSING COMPLETE (NOT SHOWN)	25	-
F8537	SPRING PIN	3	25	FG1004-1	GASKET SET (NOT SHOWN)	17	-
F8537	SPRING PIN	21	47				
F8538	SPRING PIN	19	17				
F8540	SPRING PIN	3	24				
F8540	SPRING PIN	19	20				
F8547	SPRING PIN	3	28				
F8548	SPRING PIN	21	84				
F8554	SPRING PIN	21	46				
F8559	DOWEL PIN	17	50				
F85610	BEARING	21	82				
F85735-1	SEAL	3	3				
F866	DUO-DRIVE CONTROL BOX (TWIN LEVER)	33	-				

PARTS INDEX

Part Number	Description	Pg.	Ref. No.	Part Number	Description	Pg.	Ref. No.
FK317427	BRACKET, STARTER LOWER W/SPRING PIN ..	9	17	FS567532	STERN BRACKET STARBOARD W/CLAMP SCREW AND FOOT	19	13
FK750-2	SPARKIE W/SPRING	7	20				
FO10165	INLET SEAT GASKET	11	35	FS901244	INLET WATER LINE EXTENSION, FOR LONG SHAFT MODELS	25	37
FO10280	CHOKE SHUTTER RETAINING SCREW AND LOCKWASHER	11	27	FT2907	SEAL INSTALLER	31	-
FO10588	BODY CHANNEL CUP PLUG	11	19	FT2915	SEAL INSTALLER	31	-
FO10790	INLET NEEDLE, SEAT AND GASKET	11	36	FT2985	STARTER REWIND KEY ...	29	-
FO11103	IDLE MIXTURE SCREW SPRING	11	39	FT2989	FLYWHEEL WEDGE	28	-
FO12101	MAIN FUEL JET STD. .045 SEA LEVEL - 3,000 FT. ..	11	34	FT2993	BEARING CAGE PULLER ..	31	-
FO12284	MAIN FUEL JET OPT. .043 3,000 FT. - 6,000 FT.	11	-	FT2997	RING COMPRESSOR	30	-
FO12370	MAIN FUEL JET OPT. .041 6,000 FT. AND UP	11	-	FT8438	TEST WHEEL (6 H.P.)	32	-
FO13554	FLOAT	11	28	FT8926	PISTON RING EXPANDER .	30	-
FO13944	FLOAT LEVER PIN	11	29	FT8929	ADAPTER AND HEX BIT ...	30	-
FO13945	FUEL BOWL RETAINING SCREW	11	33	FT8949	SEAL INSTALLER	30	-
FO15366	FUEL BOWL	11	32	FT8950	LEAKAGE TESTER	32	-
FO15367	CHOKE SHUTTER	11	26	FT8965	KNOCK-OFF NUT	28	-
FO15368	CHOKE RELIEF VALVE	11	24	K429133-1	MOTOR LEG	21	66
FO15520	IDLE MIXTURE SCREW	11	38	T8974	BREAKER POINT TENSION GAUGE	32	-
FO15526	THROTTLE SHAFT RETURN SPRING	13	44	11-817752A1	PROPELLER NUT W/COTTER PIN	25	19
FO15623	FUEL BOWL GASKET	11	30	27-818043A1	FUEL PUMP DIAPHRAGM W/GASKETS	11	8
FO15718	THROTTLE SHAFT AND LEVER	13	43	31-818051A1	PROPELLER SHAFT BEARING CAGE W/BEARING AND SEAL ..	25	26
FO15722	MAIN NOZZLE	11	37	32-817738A1	FUEL LINE, LONG W/CLAMP AND FERRULE	27	7
FO15723	BYPASS TUBE	11	20	39-818038A1	PISTON RING SET (3 PER SET)	17	49
FO15753	THROTTLE SHUTTER	13	42	43-817770A3	BEVEL GEAR W/BEARING .	25	22
FO15783	CHOKE RELIEF VALVE SPRING	11	25	43-817770A3	BEVEL GEAR W/BEARING .	25	24
FO17362	CHOKE SHAFT AND LEVER	11	23	43-818009--1	STEERING HANDLE GEAR .	21	75
FO2510	FUEL BOWL RETAINING SCREW GASKET	11	31				
FO2531	BODY CHANNEL WELCH PLUG	11	18				
FO4784	CHOKE FRICTION BALL ...	11	21				
FO8805	CHOKE FRICTION SPRING .	11	22				
FO8942	THROTTLE SHUTTER RETAINING SCREW AND LOCKWASHER	11	41				
FP488	PROPELLER (8 H.P.) (ACCESSORY ITEM)	25	18				
FS174227	SPARK PLUG (L-4-J)	17	51				
FS318128	DRIVESHAFT, FOR STANDARD SHAFT MODELS	25	34				
FS409752	FUEL LINE COMPLETE (NOT SHOWN)	27	-				
FS487712	ENGINE COVER W/BRACKET AND RETAINER	3	5				
FS567532	STERN BRACKET PORT W/CLAMP SCREW, AND FOOT	19	37				