



# PARTS CATALOG

## 6 H.P.

SERIAL NUMBER

6 (1979) ..... 62H9M

# TABLE OF CONTENTS:

ACCESSORIES .....	33
ENGINE COVER AND SUPPORT PLATE .....	2
FUEL SYSTEM .....	10
FUEL TANK AND LINE .....	26
GEAR HOUSING .....	24
LUBRICATION CHART .....	35
MAGNETO .....	6
MOTOR LEG .....	18
PARTS INDEX .....	37
POWER HEAD .....	14
SPECIAL ADJUSTMENTS .....	36
SPECIAL TOOLS - LOWER UNIT .....	31
SPECIAL TOOLS - POWER HEAD .....	30
SPECIAL TOOLS - STARTER .....	29
SPECIAL TOOLS - TEST EQUIPMENT .....	32
SPECIAL TOOLS - TUNE-UP .....	28
SPECIFICATIONS .....	34
STARTER .....	8

**NOTE:** Indented description indicate that these parts are included in preceeding assembly.

**AR** = As Required

**NSS** = Not Sold Separate

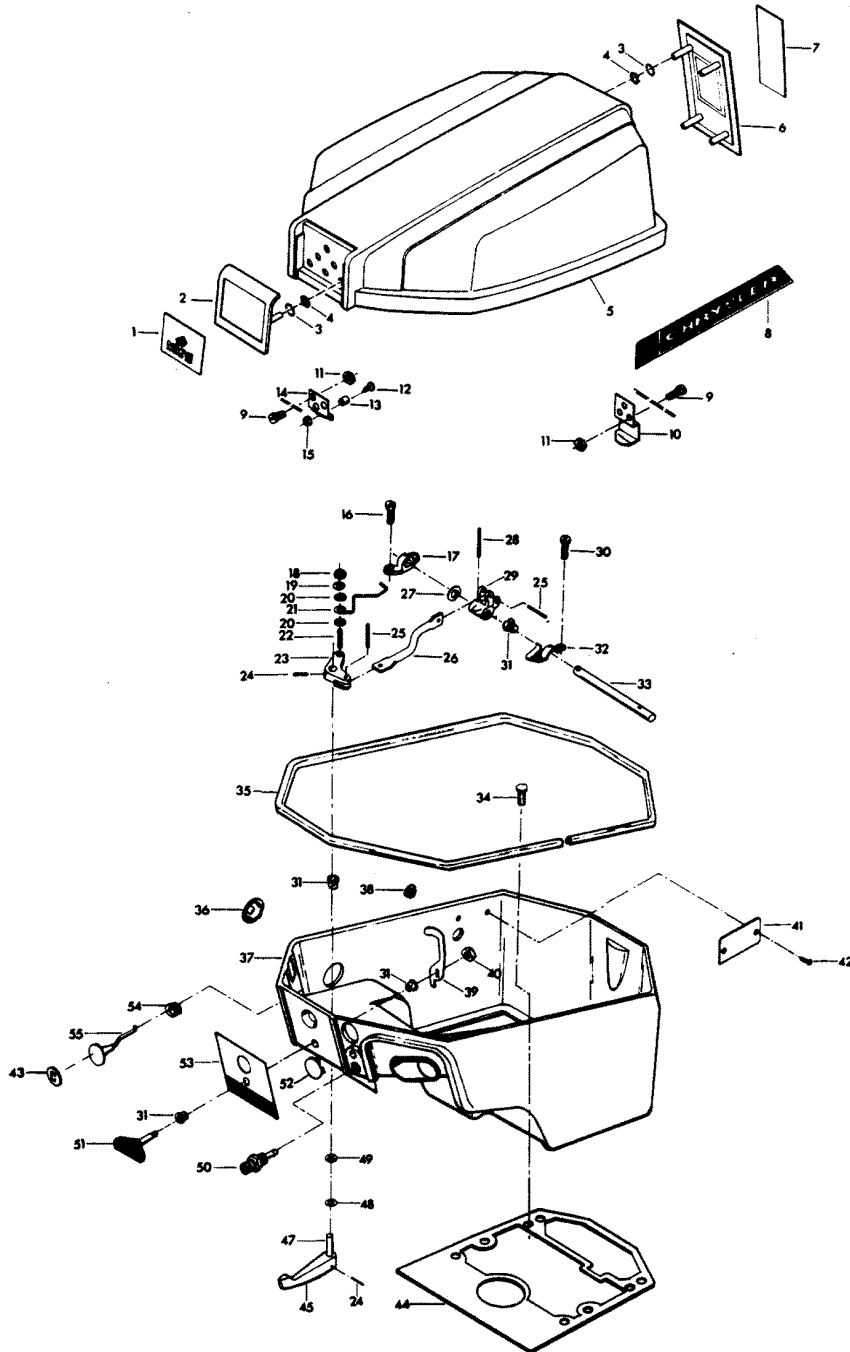
**OPT** = Optional

**NS** = Not Shown

**THESE PARTS BOOKS/FICHE CARD ARE COPYRIGHTED AND MAY NOT BE DISTRIBUTED OR REPRODUCED IN ANY OTHER FORMAT BY ANYONE OTHER THAN MERCURY MARINE WITHOUT THE PRIOR WRITTEN CONSENT OF MERCURY MARINE.**

THIS PAGE INTENTIONALLY LEFT BLANK

# ENGINE COVER AND SUPPORT PLATE

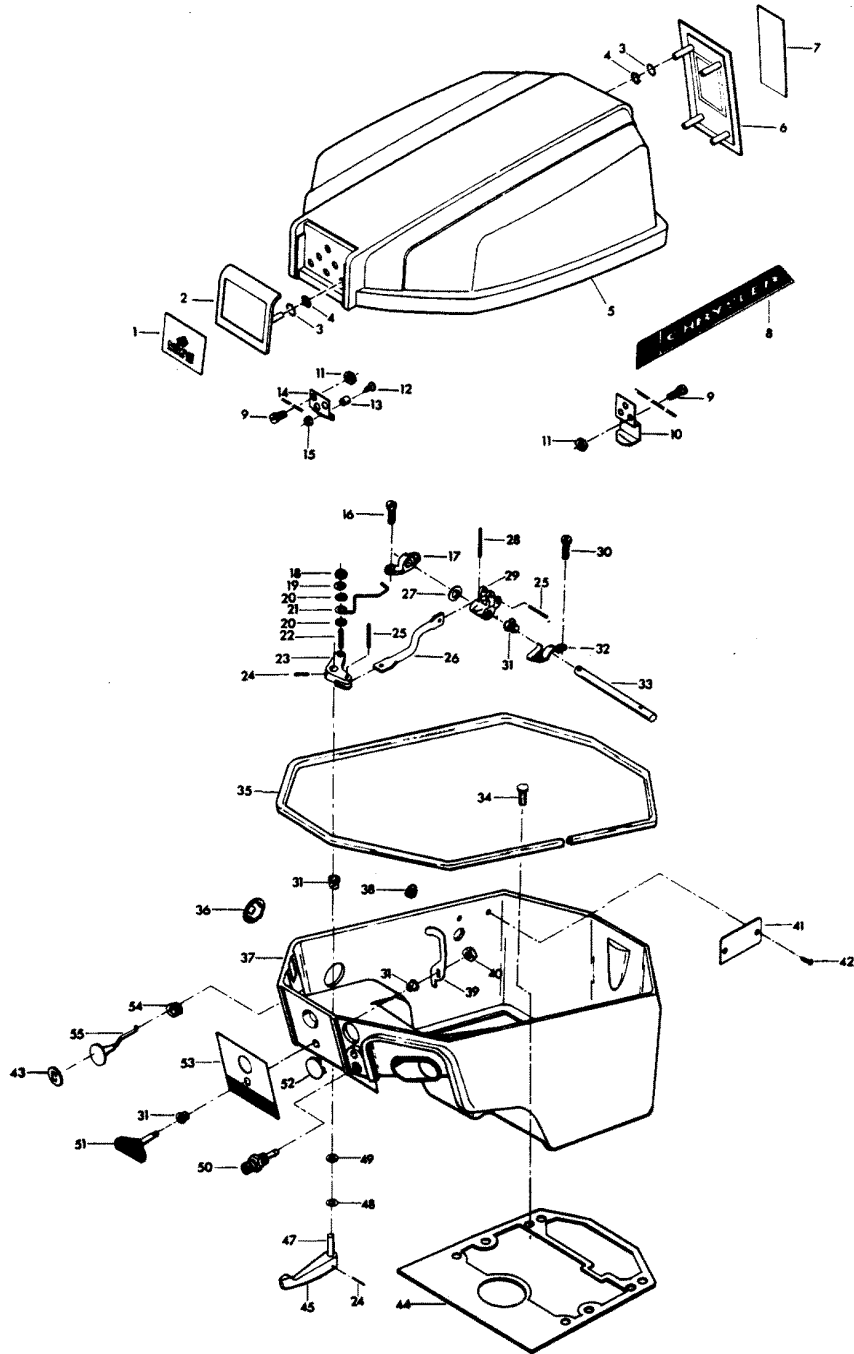


# ENGINE COVER AND SUPPORT PLATE

REF. NO.	PART NO.	SYM.	QTY.	DESCRIPTION
1	FA487892		1	INSERT, PLATE FRONT - USA
2	F487711		1	PLATE, ENGINE COVER
3	F85735-1		7	SEAL
4	F1753		7	FASTENER
5	FS487712		1	ENGINE COVER W/BRACKET AND RETAINER
-	<b>2C487712</b>		<b>1</b>	<b>ENGINE COVER, COMPLETE INCLUDES ITEMS WITH ASTERISK(*).</b>
6	F487180		1	TRIM, ENGINE COVER, REAR
7	FA487528		1	INSERT, TRIM REAR
8	F487392		1	DECAL, PORT, "CHRYSLER"
-	<b>F487396</b>		<b>1</b>	<b>DECAL, STARBOARD "CHRYSLER"</b>
9	F1475		6	FILL HD SCREW, 10 - 24 X 1/2
10	FA286480		1	RETAINER, ENGINE COVER W/SCREWS AND NUTS
11	F7011		6	ELASTIC STOP NUT, 10 - 24
12	F269316		1	ROLLER SHAFT
13	F92759		1	ROLLER
14	817758A1		1	BRACKET, COVER LATCH W/SCREWS, NUTS AND ROLLER
15	F7011		1	STOP NUT, 10 - 24
16	F1574		2	FILL HD SCREW, 1/4 - 20 X 9/16
17	F318818		1	BEARING
18	F1804		1	STOP NUT
19	F8011		1	PLAIN WASHER
20	F184579		2	SEAL
21	F487263		1	LINK, STARTER INTERLOCK
22	F286134		1	STUD
23	F487619		1	LEVER, GEAR SHIFT SHAFT
24	F8540		1	SPRING PIN
25	F8537		2	SPRING PIN
26	F318611-1		1	GEAR SHIFT ROD
27	F154415		2	WASHER
28	F8547		1	SPRING PIN
29	F318876-1		1	GEAR SHIFT LEVER
30	F1068		2	FILL HD SCREW, 10 - 24 X 7/16
31	F307818		4	BEARING
32	F318895		1	SPRING, SHIFT DETENT
33	F318871		1	SHAFT, GEAR SHIFT LEVER
34	F1689		2	HEX CAP SCREW, 1/4 - 20 X 1/2
35	F318756		1	PACKING, SUPPORT PLATE
36	F487226		1	PLUG
37	A318038-4		1	SUPPORT PLATE W/EYELET AND PLUGS
38	F388226-1		1	PLUG
39	F286777		1	CAM, COVER LATCH
40	F2002		1	STOP NUT, 5/16 - 18

CONTINUED ON NEXT PAGE ➡

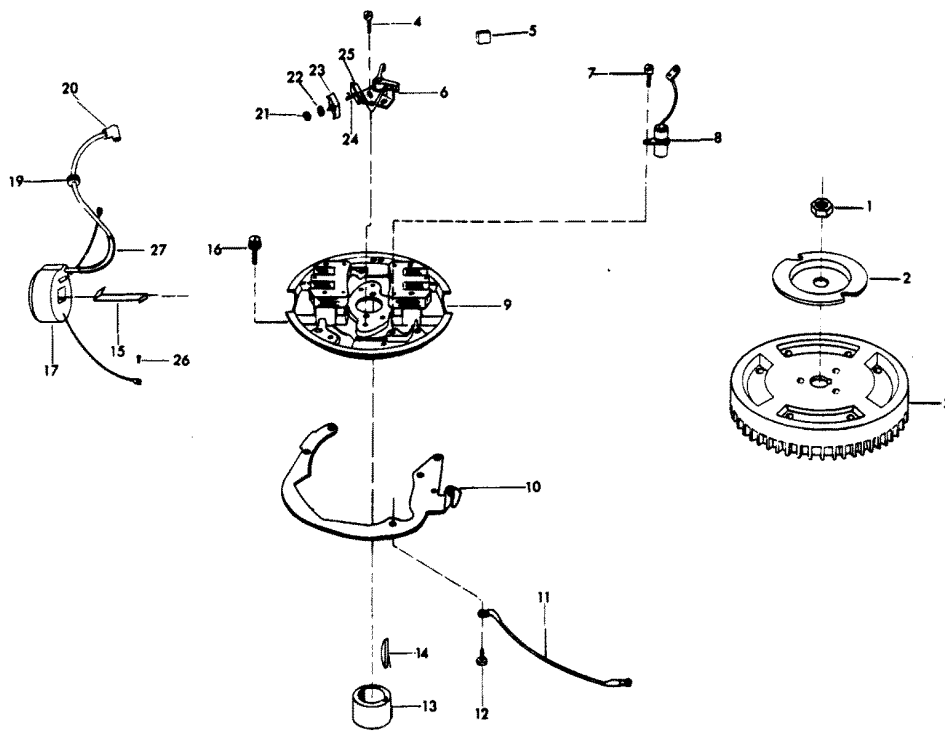
# ENGINE COVER AND SUPPORT PLATE



# ENGINE COVER AND SUPPORT PLATE

REF. NO.	PART NO.	SYM.	QTY.	DESCRIPTION
41	FA77395-5		1	PLATE, IDENTIFICATION W/SCREWS FOR USA MODELS
42	F1293		2	DRIVE SCREW, 2 X 3/16
43	F458677		1	INSERT, CHOKE KNOB
44	F318453-1		1	GASKET, LEG MOUNTING
45	F286614		1	GEAR SHIFT HANDLE
47	F487417		1	GEAR SHIFT HANDLE SHAFT
48	F8049		1	BOWED WASHER
49	F154415		1	WASHER
50	F197767-1		1	BUSHING, FUEL LINE
51	FA286469		1	KNOB, COVER LATCH
52	F343226-1		1	PLUG
53	A317711-2		1	PLATE, FRONT
54	F318504		1	GROMMET, CHOKE ROD
55	FA318503		1	CHOKE ROD W/KNOB AND INSERT

# MAGNETO

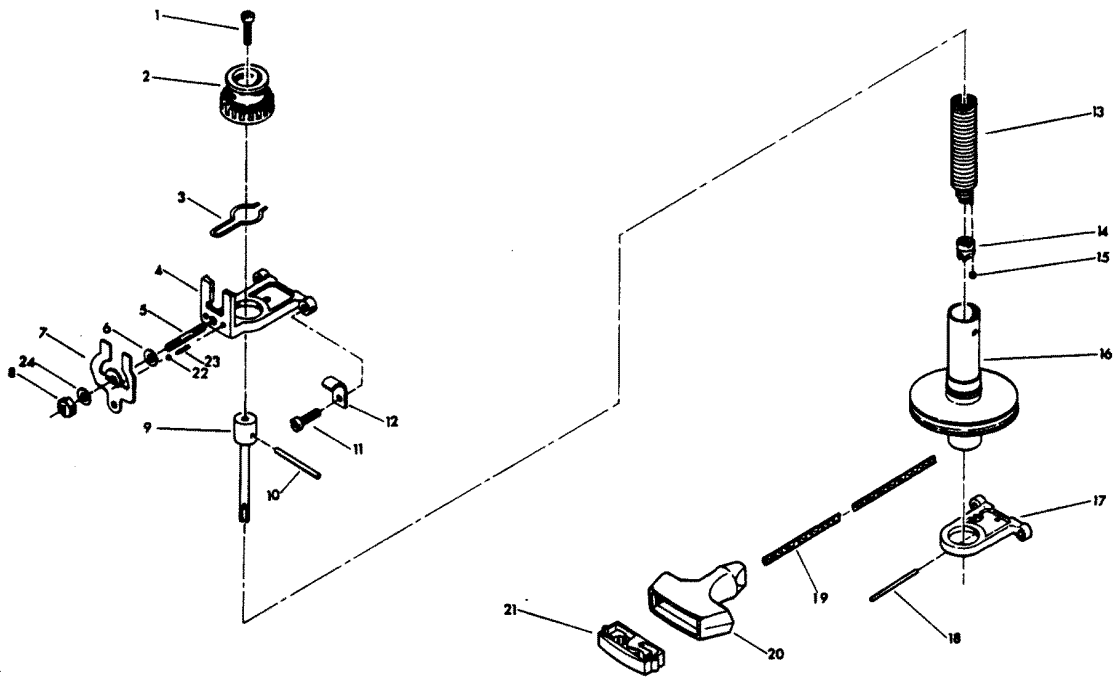




# MAGNETO

REF. NO.	PART NO.	SYM.	QTY.	DESCRIPTION
1	F1352		1	HEX NUT, 7/16 - 20
2	F901456-1		1	EMERGENCY STARTER COLLAR
3	F318097		1	FLYWHEEL
4	F12170		4	CONTACT SCREW W/LOCKWASHER
5	F12228		1	CAM WIPER FELT
6	F12153		2	BREAKER POINT SET
7	F12083		2	CONDENSER SCREW W/LOCKWASHER
8	F12181-1		2	CONDENSER
9	F12343		1	STATOR PLATE W/LAMINATIONS
10	F516192		1	THROTTLE CAM PLATE
11	F289664		1	WIRE, STATOR GROUND
12	F1075		4	FILL HD SCREW, 10 - 24 X 1/2
13	F59002		1	MAGNETO BREAKER CAM, WICO 11417
14	F458498		1	MAGNETO KEY
15	F12146		2	COIL WEDGE SPRING
16	F1090		4	FILL HD SCREW W/LOCKWASHER, 10 - 24 X 9/16
17	FA12345		2	COIL W/LEAD WIRE
19	F12088		4	GROMMET
20	FK750-2		2	SPARKIE W/SPRING
21	F12127		2	STUD NUT
22	F8055		2	LOCKWASHER
23	F12128		2	INSULATOR, OUTSIDE
24	F12142		2	CONNECTION STUD
25	F12129		2	INSULATOR, INSIDE
26	F12114		2	SCREW, COIL GROUND TERMINAL
27	F12141		1	SLEEVE, HIGH TENSION LEAD
-	<b>F12091</b>		<b>1</b>	<b>LEAD WIRE MARKER, TOP (NOT SHOWN)</b>

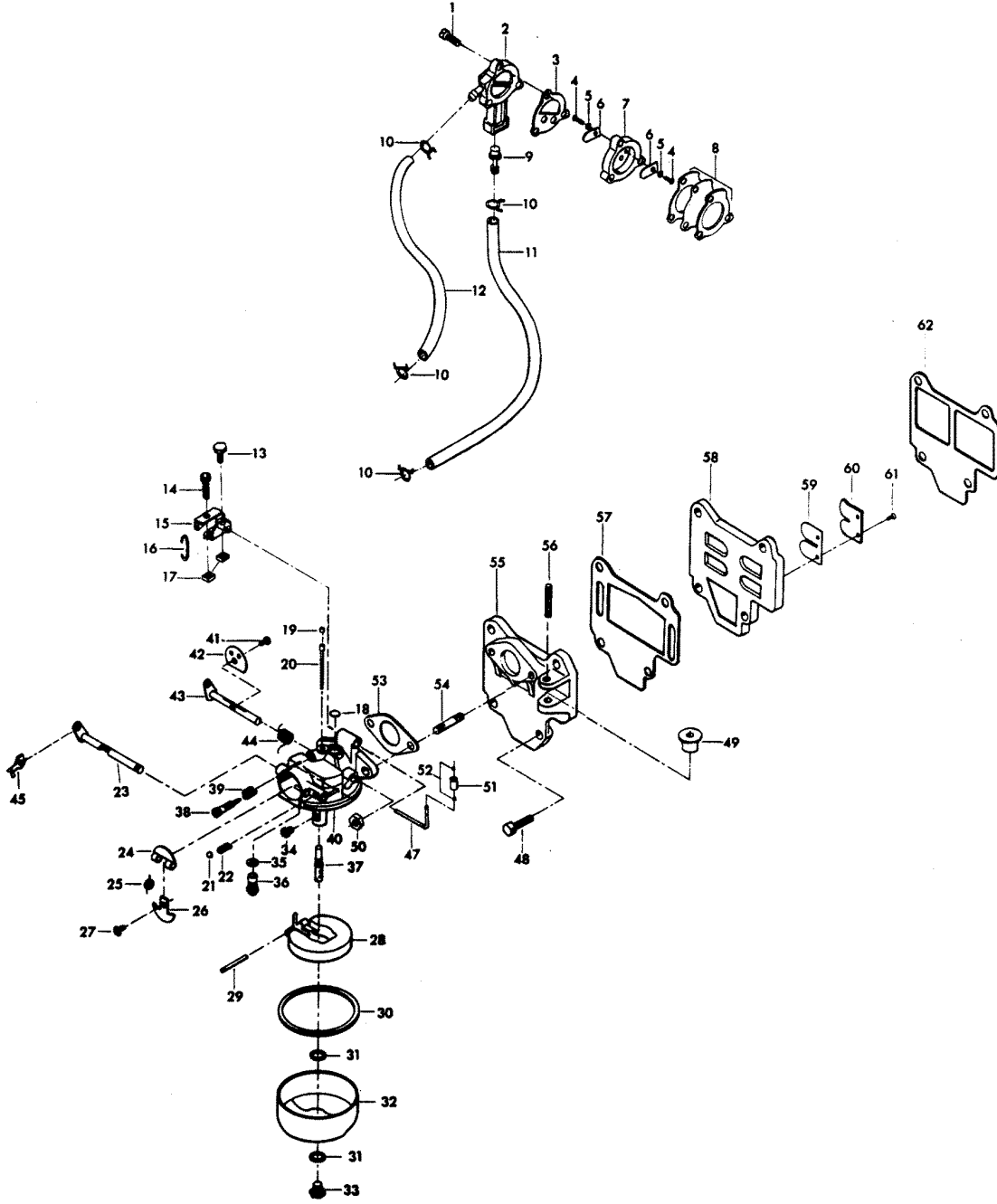
# STARTER



# STARTER

REF. NO.	PART NO.	SYM.	QTY.	DESCRIPTION
1	F1089		1	FILL HD SCREW, 10 - 24 X 9/16
2	F487674		1	GEAR, STARTER PINION
3	F487424-1		1	STARTER PINION SPRING
4	F487427-1		1	BRACKET, STARTER UPPER
5	F286134		1	STUD
6	F8011		1	PLAIN WASHER
7	F487781-3		1	STARTER INTERLOCK
8	F1804		1	STOP NUT
9	F286710		1	ARBOR, STARTER SPRING
10	F40425		1	STARTER, PINION PIN
11	F1107		4	FILL HD SCREW, 1/4 - 20 X 3/4
13	FA286970		1	STARTER REWIND SPRING W/END AND RETAINER
14	F286737-1		1	RETAINER, STARTER REWIND SPRING
15	F286930		1	END, STARTER SPRING
16	F2A459239		1	STARTER SPOOL W/SHAFT
17	FK317427		1	BRACKET, STARTER LOWER W/SPRING PIN
18	F1875		1	SPRING PIN, STARTER BRACKET
19	F409232		1	STARTER ROPE
20	F286132		1	HANDLE, STARTER ROPE
21	817938A1		1	RETAINER, STARTER ROPE HANDLE
22	F487727		2	BALL, INTERLOCK DETENT
23	F487895		2	SPRING INTERLOCK DETENT
24	F2042		1	PLAIN WASHER

# FUEL SYSTEM

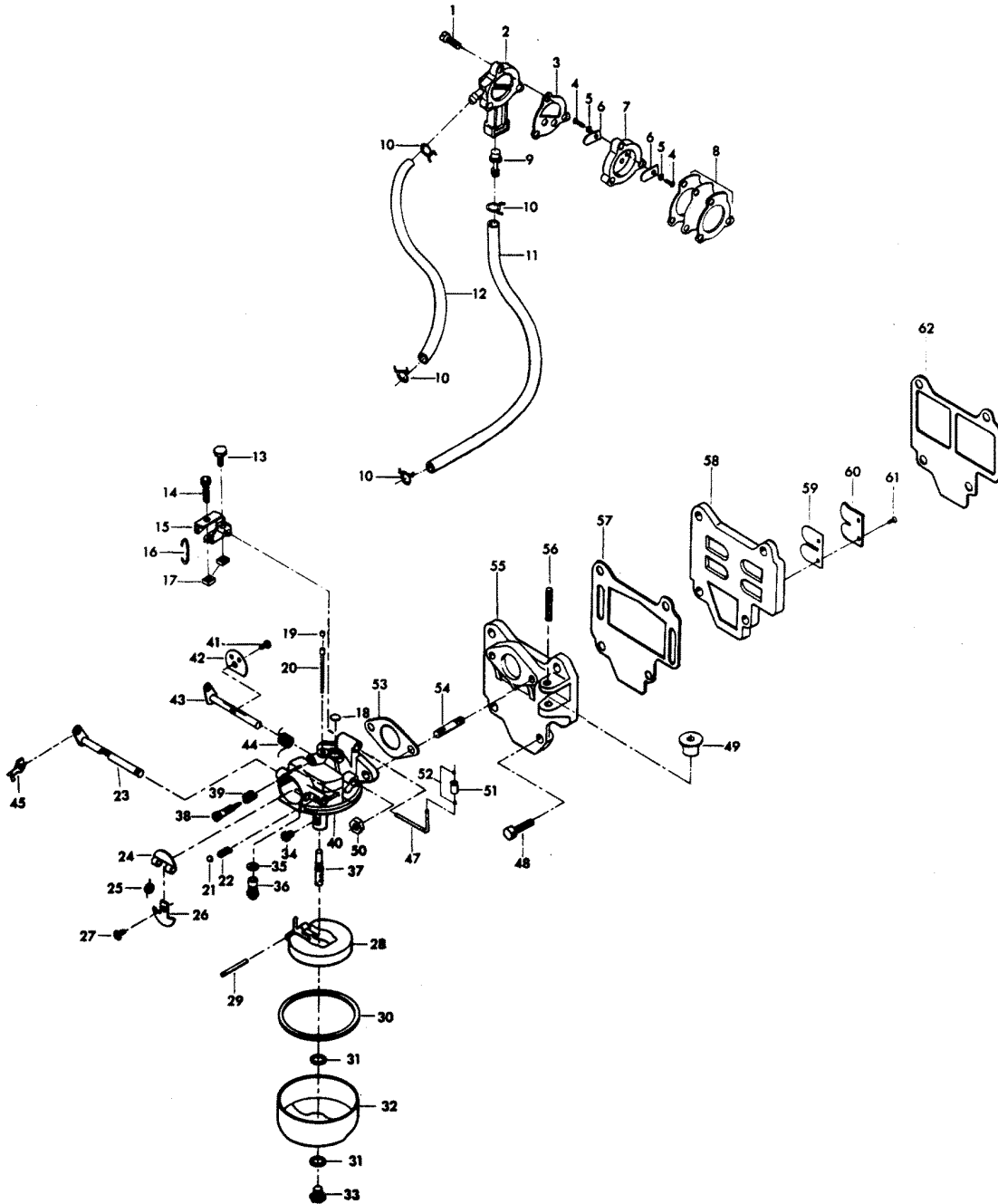


# FUEL SYSTEM

REF. NO.	PART NO.	SYM.	QTY.	DESCRIPTION
1	F1069		3	FILL HD SCREW, 10 - 24 X 1-1/16
2	F901746-2		1	FUEL PUMP COVER
3	F24748-2		1	GASKET, FUEL PUMP COVER
4	F1286		2	PAN HD SCREW, 4 - 40 X 3/16
5	F8003		2	PLAIN WASHER
6	F18160-1		2	REED, FUEL PUMP
7	FA24757-3		1	FUEL PUMP REED PLATE W/REEDS AND SCREWS
8	27-818043A1		1	FUEL PUMP DIAPHRAGM W/GASKETS
9	F901811		1	FUEL PUMP FILTER
10	F2706772		4	HOSE CLAMP
11	F516754		1	FUEL LINE W/CLAMPS
12	FA24754-1		1	FUEL LINE W/CLAMPS
13	F1912		1	HEX HD SCREW, 10 - 24 X 1/2
14	F1834		1	FILL HD SCREW, 10 - 24 X 7/8
15	817754A1		1	ARM, CARBURETOR ADJUSTING
16	F66193		1	THROTTLE LINK
17	F1365		2	SQUARE NUT, 10 - 24
18	FO2531		1	BODY CHANNEL WELCH PLUG
19	FO10588		1	BODY CHANNEL CUP PLUG
20	FO16120		1	BYPASS TUBE
21	FO4784		1	CHOKE FRICTION BALL
22	FO8805		1	CHOKE FRICTION SPRING
23	FO17362		1	CHOKE SHAFT AND LEVER
24	FO15368		1	CHOKE RELIEF VALVE
25	FO15783		1	CHOKE RELIEF VALVE SPRING
26	FO15367		1	CHOKE SHUTTER
27	FO10280		1	CHOKE SHUTTER RETAINING SCREW AND LOCKWASHER
28	FO13554		1	FLOAT
29	FO13944		1	FLOAT LEVER PIN
30	FO15623		1	FUEL BOWL GASKET
31	FO2510		2	FUEL BOWL RETAINING SCREW GASKET
32	FO15366		1	FUEL BOWL
33	FO13945		1	FUEL BOWL RETAINING SCREW
34	FO13630		1	MAIN FUEL JET STD. .033 SEA LEVEL - 3,000 FT.
-	<b>FO13979</b>		-	<b>MAIN FUEL JET OPT. .031 3,000 FT - 6000 FT.</b>
-	<b>FO15207</b>		-	<b>MAIN FUEL JET OPT. .030 6,000 AND UP</b>
35	FO10165		1	INLET SEAT GASKET
36	FO10790		1	INLET NEEDLE, SEAT AND GASKET
37	FO15722		1	MAIN NOZZLE
38	FO15520		1	IDLE MIXTURE SCREW
39	FO11103		0	<b>1 IDLE MIXTURE SCREW SPRING</b>
40	F429061-2		1	CARBURETOR COMPLETE (CO6C)
41	FO8942		1	THROTTLE SHUTTER RETAINING SCREW AND LOCKWASHER

CONTINUED ON NEXT PAGE ➡

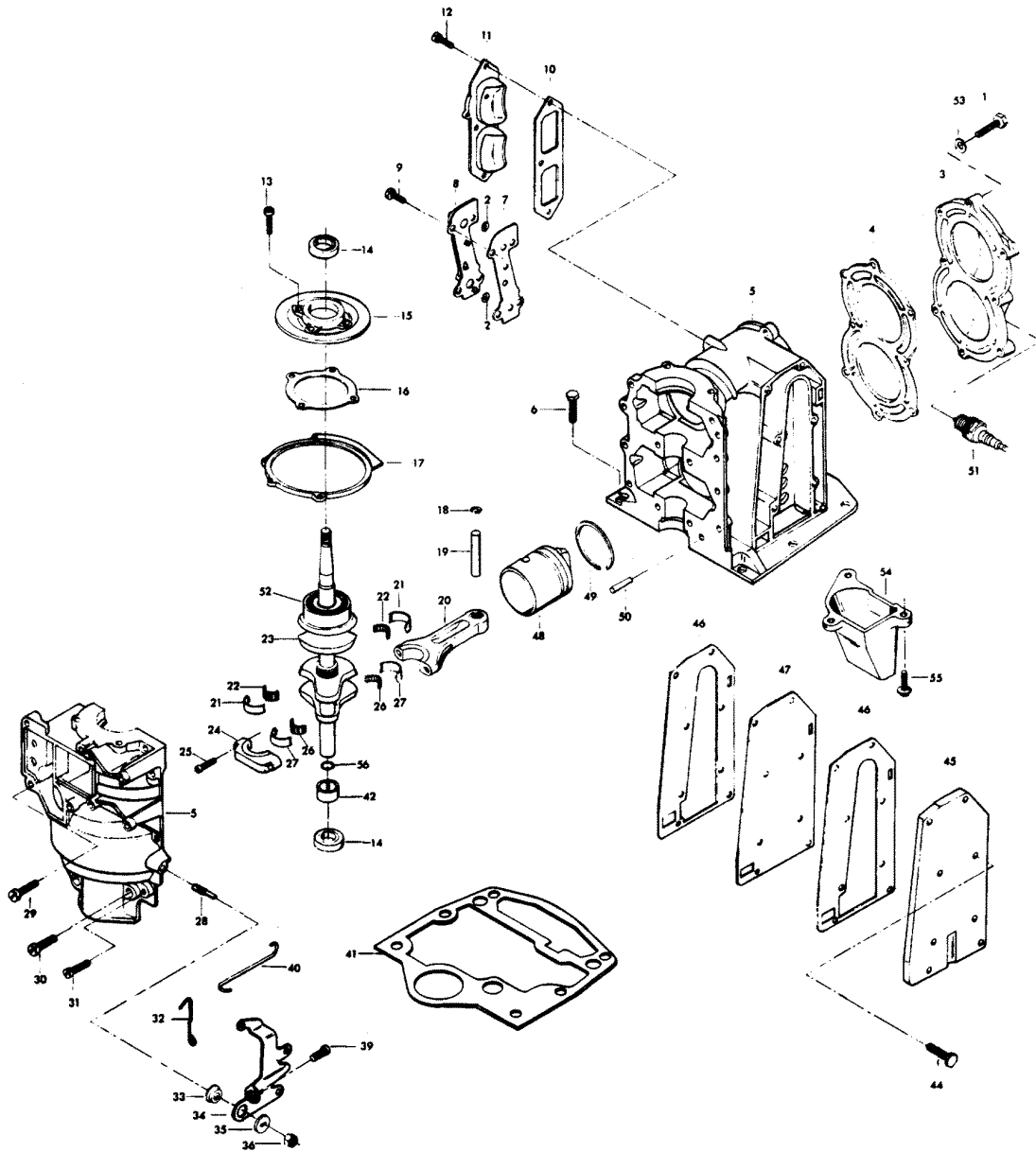
# FUEL SYSTEM



# FUEL SYSTEM

REF. NO.	PART NO.	SYM.	QTY.	DESCRIPTION
42	FO8502		1	THROTTLE SHUTTER
43	FO15718		1	THROTTLE SHAFT AND LEVER
44	FO15526		1	THROTTLE SHAFT RETURN SPRING
45	F341384		1	RETAINER, CHOKE ROD
47	817773A1		1	THROTTLE CAM FOLLOWER
48	F1914		4	HEX HD SCREW, 1/4 - 20 X 3/4
49	F487435		1	PULLEY, STARTER ROPE
50	F1490		2	HEX NUT, 1/4 - 20
51	318318		1	ROLLER, THROTTLE CAM FOLLOWER
52	F78410		1	RETAINER
53	F18906		1	CARBURETOR GASKET
54	F2788004		2	STUD, CARBURETOR
55	2A341167		1	MANIFOLD W/STUDS, PULLEY AND SPRING PIN
56	F1876		1	SPRING PIN
57	F318168		1	GASKET, MANIFOLD
58	FA387158		1	REED PLATE W/REEDS, STOPS AND SCREWS
59	F31160-1		2	REED
60	F424161		2	REED STOP
61	F1298		4	ROUND HD SCREW W/LOCKWASHER, 6 - 32 X 1/4
62	F318159		1	GASKET, REED PLATE
-	<b>F10006</b>		<b>1</b>	<b>GASKET SET (NOT SHOWN)</b>
-	<b>F10008</b>		<b>1</b>	<b>REPAIR PARTS KIT (NOT SHOWN) ASTERISK (*) INDICATES CONTENTS OF REPAIR PARTS KIT</b>

# POWER HEAD



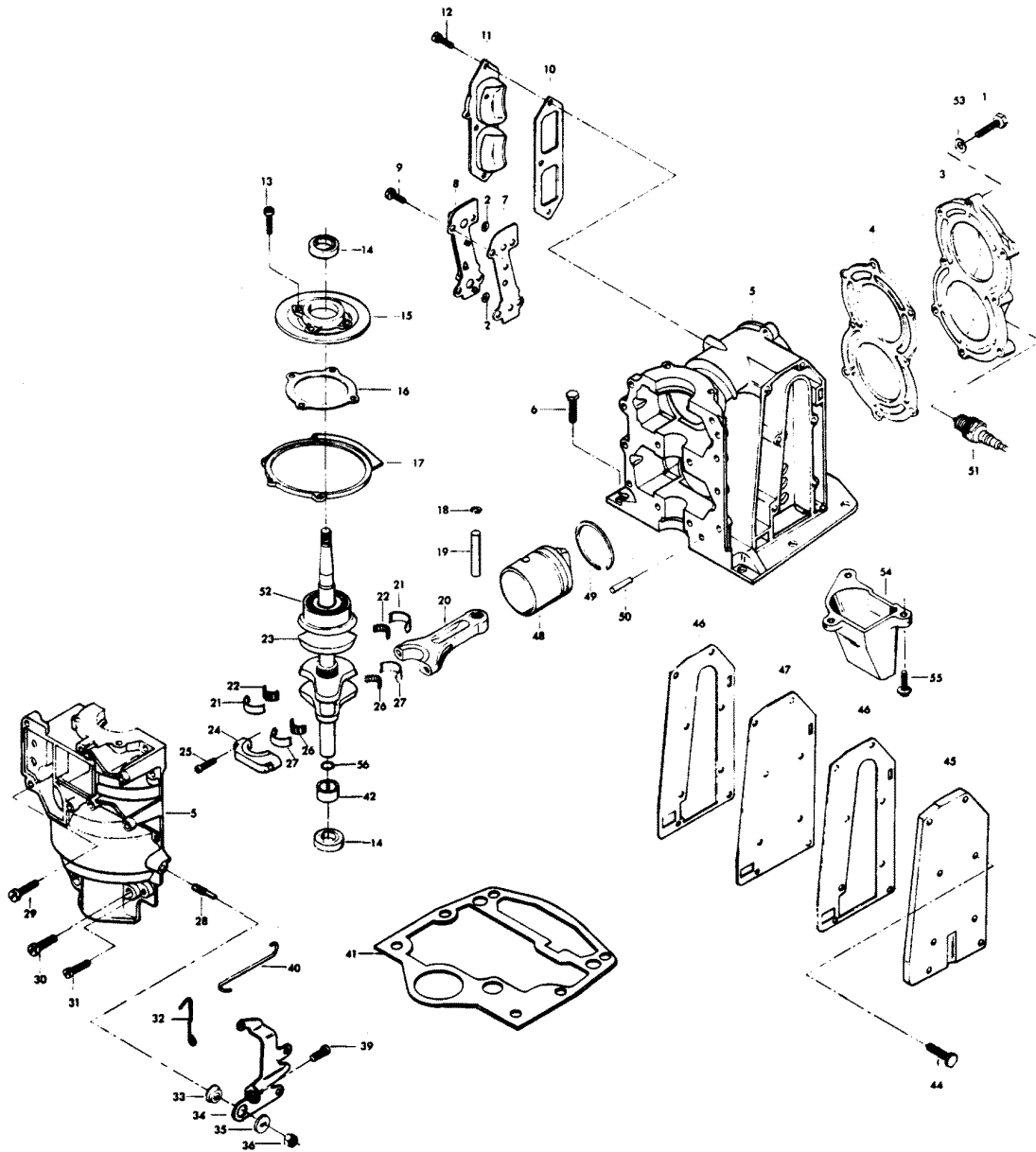


# POWER HEAD

REF. NO.	PART NO.	SYM.	QTY.	DESCRIPTION
1	F901938-1		8	SCREW, CYLINDER HEAD
2	F429811		2	SCREENS, CYLINDER DRAIN
3	F318518-4		1	CYLINDER HEAD
4	F318529		1	CYLINDER HEAD GASKET
5	A487010-1		1	CYLINDER W/CRANKCASE COVER, DOWEL PINS, SCREWS, STUD AND CYLINDER DRAIN COVER.
6	F1823		6	HEX HD CAP SCREW, 5/16 - 18 X 1
7	F429472		1	GASKET, CYLINDER DRAIN COVER
8	FA429471		1	CYLINDER DRAIN COVER W/CHECK VALVES AND SCREENS
9	F1922		4	HEX HD SCREW, 1/4 - 20 X 5/8
10	F318223-1		1	GASKET, TRANSFER PORT COVER
11	F318222-1		1	TRANSFER PORT COVER
12	F1502		4	HEX CAP SCREW, 1/4 - 20 X 5/8
13	F1111		4	FILL HD SCREW, 1/4 - 20 X 7/8
14	F141118		2	SEAL, CRANKSHAFT
15	FA318144		1	CAGE, CRANKSHAFT BEARING W/SEAL (ITEM 14)
16	F286277		1	GASKET, CRANKSHAFT BEARING CAGE
17	F73082		1	MAGNETO STATOR RING
18	F31410		4	RETAINING RING, PISTON PIN
19	F7017		2	PISTON PIN
20	F2A430016		2	CONNECTING ROD W/CAP AND SCREWS
21	FA286155		1	MAIN BEARING LINER SET (2 PER SET)
22	F286571		1	CENTER MAIN BEARING ROLLERS (26 PER SET)
23	A318018-2		1	CRANKSHAFT W/UPPER MAIN BEARING
25	F286634-1		4	CONNECTING ROD SCREW
26	F318228		2	CONNECTING ROD, ROLLER SET (24 PER SET)
27	A318229-1		2	CONNECTING ROD LINER (2 PER SET)
28	F286440		1	STUD, MAGNETO CONTROL LEVER
29	F1111		2	FILL HD SCREW, 1/4 - 20 X 1
30	F1335		4	FILL HD SCREW, 5/16 - 18 X 1-1/4
31	F1107		6	FILL HD SCREW, 1/4 - 20 X 3/4
32	F387445-1		1	LINK, MAGNETO CONTROL ROD
33	F183813		1	BEARING, MAGNETO CONTROL LEVER
34	FA387081		1	LEVER, MAGNETO CONTROL
35	F286282		1	WASHER
36	F1803		1	STOP NUT, 5/16 - 24
39	F1052		1	FILL HD SCREW, 1/4 - 20 X 1
40	F318509-3		1	LINK, THROTTLE CAM
41	F318279-1		1	GASKET, CYLINDER MOUNTING
42	F343014		1	BEARING, CRANKSHAFT LOWER MAIN
44	F1915		8	HEX HD SCREW, 1/4 - 20 X 7/8
45	F318152		1	COVER, EXHAUST
46	F318154		2	GASKET, EXHAUST COVER

CONTINUED ON NEXT PAGE ➡

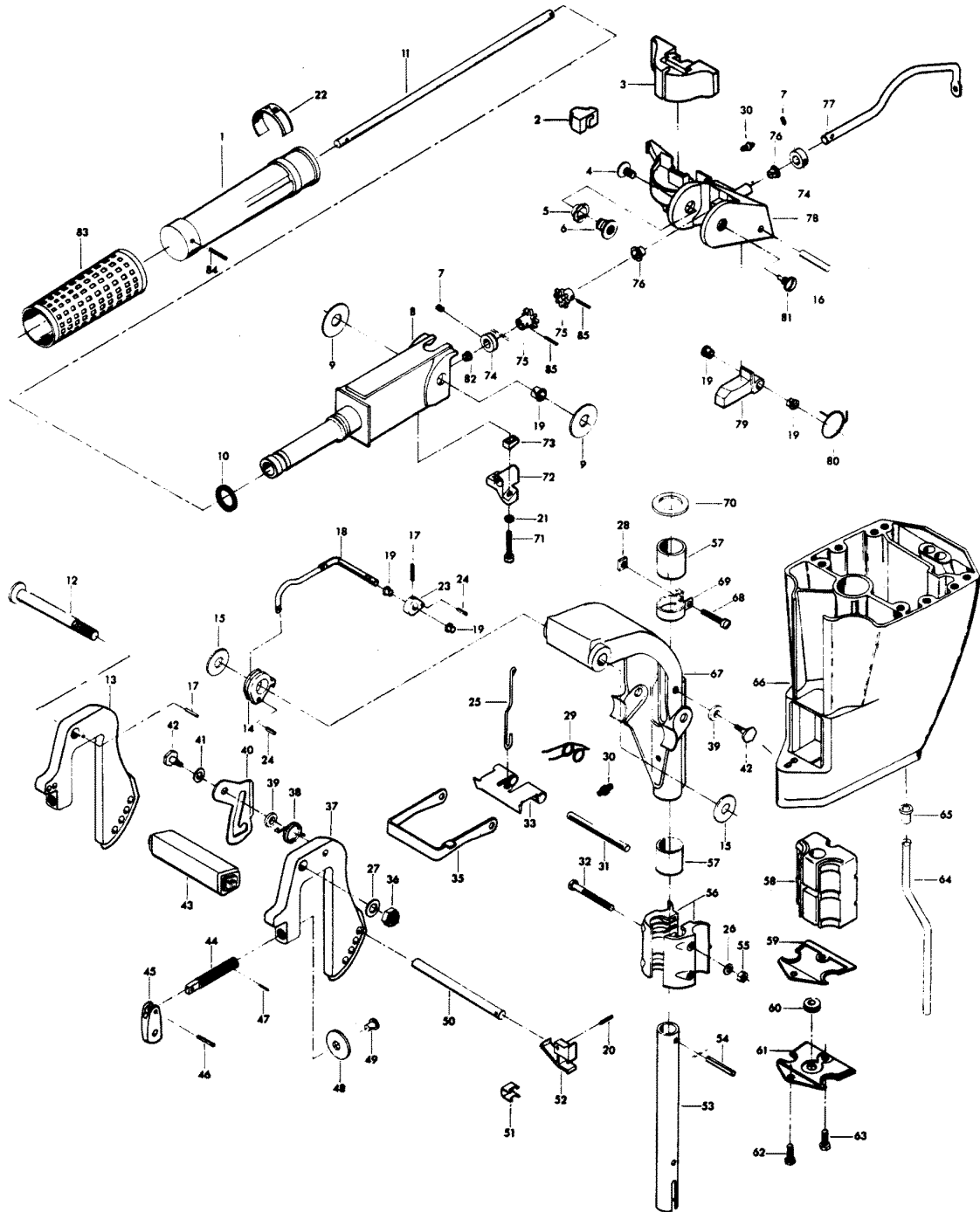
# POWER HEAD



# POWER HEAD

REF. NO.	PART NO.	SYM.	QTY.	DESCRIPTION
47	F318151		1	PLATE, EXHAUST
48	FA429015		2	PISTON
49	FA317260		2	PISTON RING SET (3 PER SET)
-	<b>C487010-1</b>		<b>1</b>	<b>SHORT BLOCK (NOT SHOWN) INCLUDES ALL ITEMS MARKED WITH AN ASTERISK (*).</b>
50	F8559		2	DOWEL PIN
51	FS174227		2	SPARK PLUG (L-4-J)
52	A318028-1		1	BEARING, CRANKSHAFT UPPER MAIN
53	F8025		8	PLAIN WASHER
54	F487660-1		1	EXHAUST TUBE
55	F2040		3	HEX HD SCREW, 1/4 - 20 X 5/8
56	F468342		1	SEAL
-	<b>FG1004-1</b>		<b>1</b>	<b>GASKET SET (NOT SHOWN)</b>

# MOTOR LEG

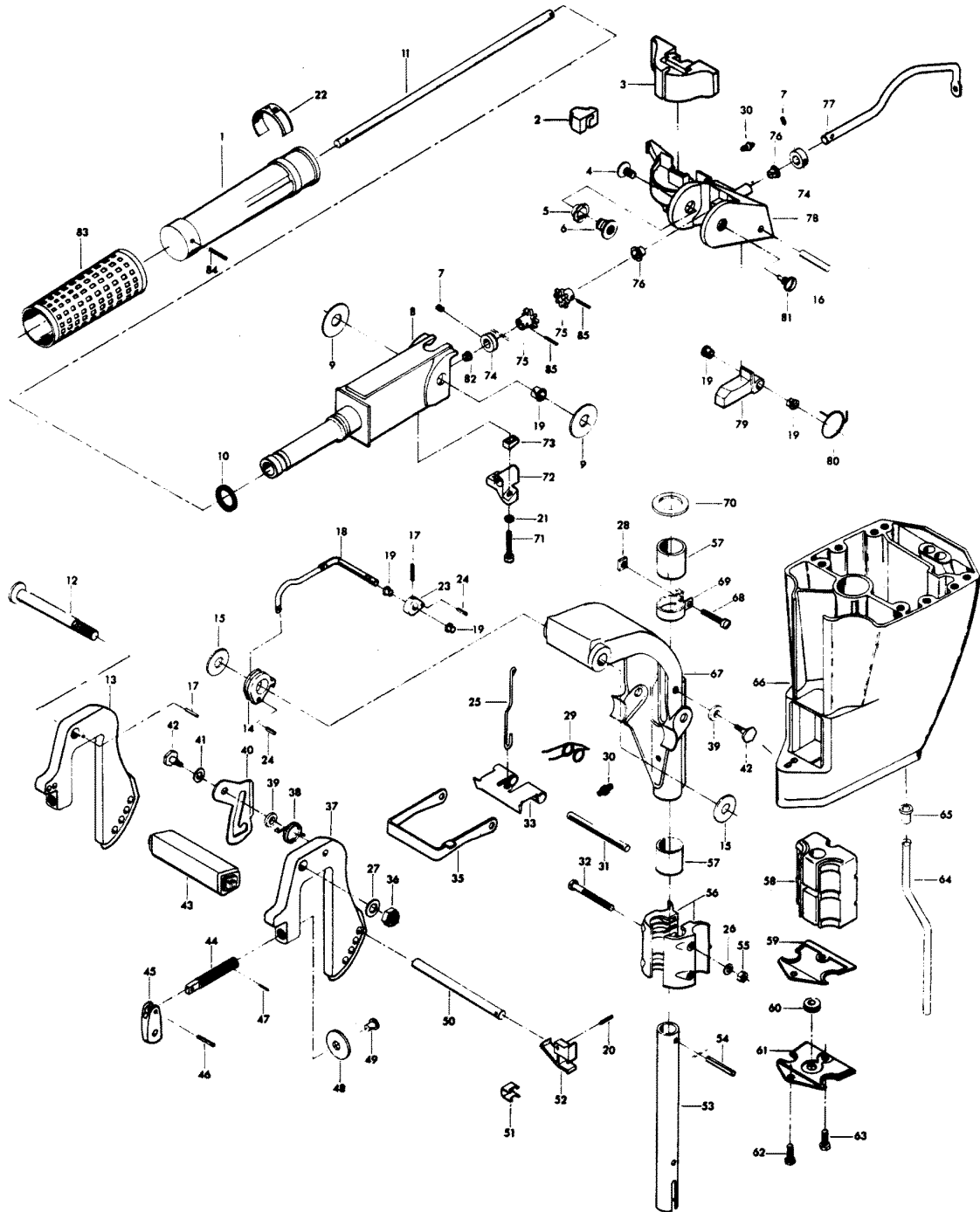


# MOTOR LEG

REF. NO.	PART NO.	SYM.	QTY.	DESCRIPTION
1	FA456137		1	GRIP, STEERING HANDLE W/SLEEVE
2	F318539		1	BUMPER
3	F318347-1		1	SHOCK MOUNT UPPER
4	F1799		1	TRUSS HD SCREW, 5/16 - 18 X 5/8
5	F286818		1	BEARING, STEERING HANDLE INSERT
6	F286224		1	INSERT, STEERING HANDLE
7	F1859		2	SOCKET HD SET SCREW, 1/4 - 28 X 3/16
8	F286079-1		1	STEERING HANDLE
9	F286220		2	WASHER
10	F53795-1		1	STEERING HANDLE GRIP DAMPENER
11	F429688		1	SHAFT, STEERING HANDLE
12	F318037		1	STERN BRACKET PIVOT BOLT
13	FS567532		1	STERN BRACKET STARBOARD W/CLAMP SCREW AND FOOT
14	F286827		1	LEVER, REVERSE LOCK RELEASE
15	F286286-1		2	WASHER, STERN BRACKET
16	F1807		1	GROOVE PIN
17	F8538		2	SPRING PIN
18	FA387742		1	LEVER REVERSE LOCK INTERMEDIATE
19	F197813		5	BEARING
20	F8540		1	SPRING PIN
21	F8058		2	TOOTH LOCKWASHER
22	F286984-3		1	STEERING HANDLE INDICATOR
23	F286364		1	LEVER, REVERSE LOCK
24	F1794		2	SPRING PIN
25	FA341510		1	LINK, REVERSE LOCK LEVER
26	F8083		2	SPRING LOCKWASHER
27	F8039		1	PLAIN WASHER
28	F1608		1	NUT, 1/4 - 20
29	F286300		1	SPRING, REVERSE LOCK
30	F213274		3	GREASE FITTING
31	F1839		1	GROOVE PIN
32	FA1844		2	HEX BOLT, 1/4 - 20 X 2-3/8
33	F318349		1	REVERSE LOCK
35	F318433		1	BRACKET SHALLOW WATER DRIVE
36	F7005		1	STOP NUT, 3/8 - 16
37	FS567532		1	STERN BRACKET PORT W/CLAMP SCREW, AND FOOT
38	F286544-1		1	SPRING, TILT LOCK
39	F286451		2	SPACER, TILT LOCK
40	F429541		1	TILT LOCK
41	F1666		1	BOWED SPRING WASHER
42	F286422-1		2	TILT LOCK PIVOT
43	F318647		1	CARRYING HANDLE

CONTINUED ON NEXT PAGE ➡

# MOTOR LEG

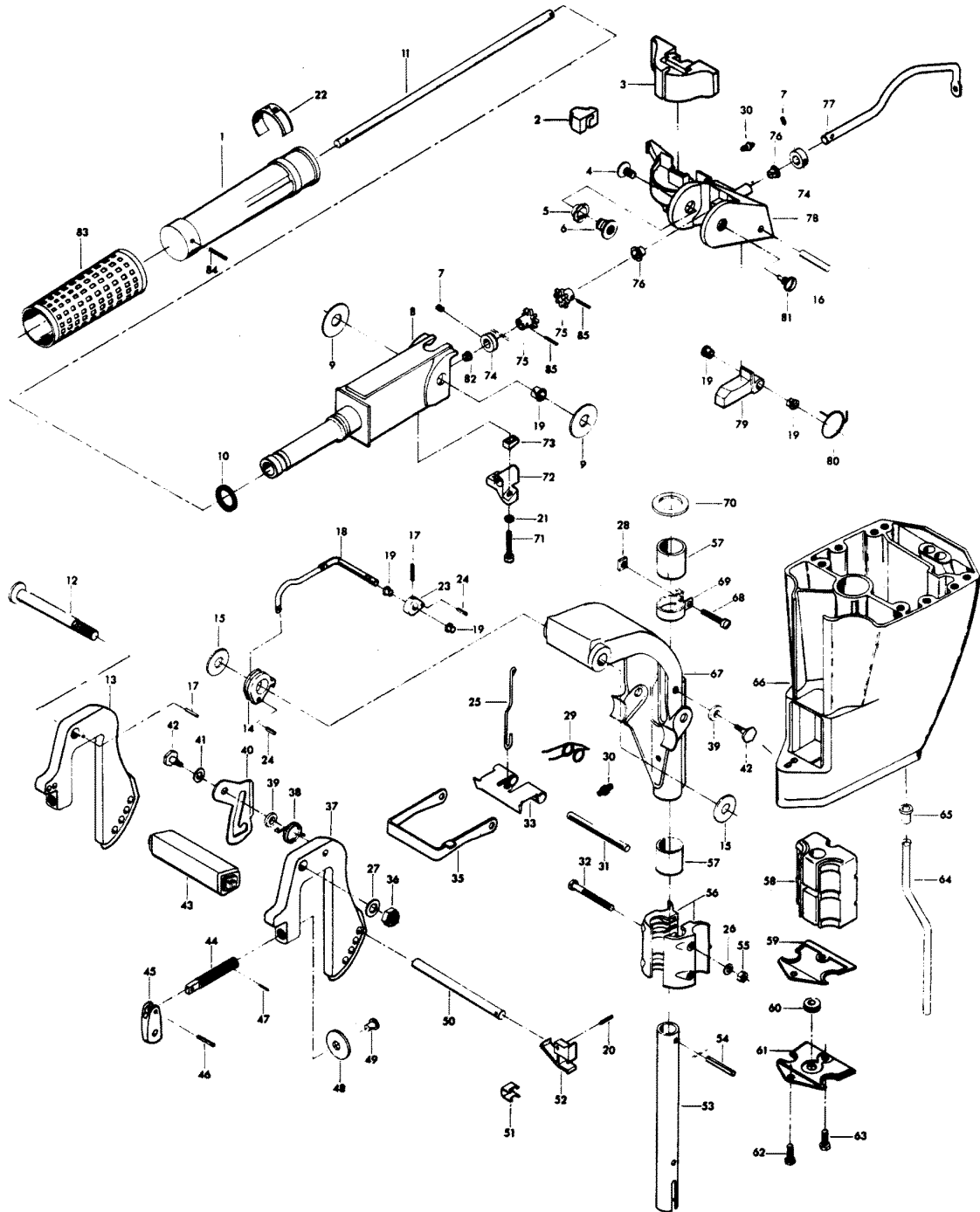


# MOTOR LEG

REF. NO.	PART NO.	SYM.	QTY.	DESCRIPTION
44	817761A2		2	CLAMP SCREW W/ITEMS 47, 48 & 49 ORIGINAL FORCE P/N <b>A298073-2</b>
45	F424075		2	HANDLE, CLAMP SCREW
46	F8554		2	SPRING PIN
47	F8537		2	SPRING PIN
48	F24074		2	CLAMP SCREW FOOT
49	F66480		2	STUD CLAMP SCREW
50	FA318113		1	LOCK BAR W/HANDLE AND SPRING
51	F286461		1	SPRING, LOCK BAR HANDLE
52	F286114		1	LOCK BAR HANDLE
53	F318019		1	KING PIN
54	F1805		1	SPRING PIN
55	F1341		2	HEX NUT, 1/4 - 20
56	F318956		2	BRACKET SHOCK MOUNT LOWER
57	F286169		2	BEARING, SWIVEL BRACKET
58	F318346		1	SHOCK MOUNT LOWER
59	F318967		1	GASKET, SHOCK MOUNT PLATE
60	F318861		1	SEAL, SHOCK MOUNT PLATE
61	F318963		1	PLATE, SHOCK MOUNT LOWER
62	F1689		1	HEX CAP SCREW, 1/4 - 20 X 1/2
63	F1689		1	HEX CAP SCREW, 1/4 - 20 X 1/2
64	F409244		1	WATER LINE
65	F318342		1	SEAL, INLET WATER LINE UPPER
66	K429133-1		1	MOTOR LEG
67	A318072-3		1	SWIVEL BRACKET <b>W/ITEMS 30 AND 57</b>
68	F1820		1	FILL HD SCREW, 1/4 - 20 X 1-3/8
69	F286573-1		1	STEERING FRICTION CLAMP
70	F286011		1	WASHER, SWIVEL BRACKET
71	F1829		1	FILL HD SCREW, 10 - 24 X 7/8
72	F487816		1	BEARING, STEERING HANDLE
73	F341693		1	WEDGE, STEERING HANDLE
74	FA343178		2	RETAINER W/SET SCREW
75	43-818009--1		2	STEERING HANDLE GEAR
76	F307818		2	BEARING
77	F429838		1	SHAFT, MAGNETO CONTROL
78	817779A1		1	STEERING ARM <b>W/ITEMS 2 AND 30 ORIGINAL FORCE P/N <b>A341582-1</b></b>
79	F286490		1	STOP, STEERING HANDLE
80	F286868		1	SPRING, STEERING HANDLE STOP
81	F286080		1	SCREW, STEERING HANDLE PIVOT
82	F85610		1	BEARING
83	F458695		1	SLEEVE
84	F8548		1	SPRING PIN
85	F1978		2	SPRING PIN

CONTINUED ON NEXT PAGE ➡

# MOTOR LEG

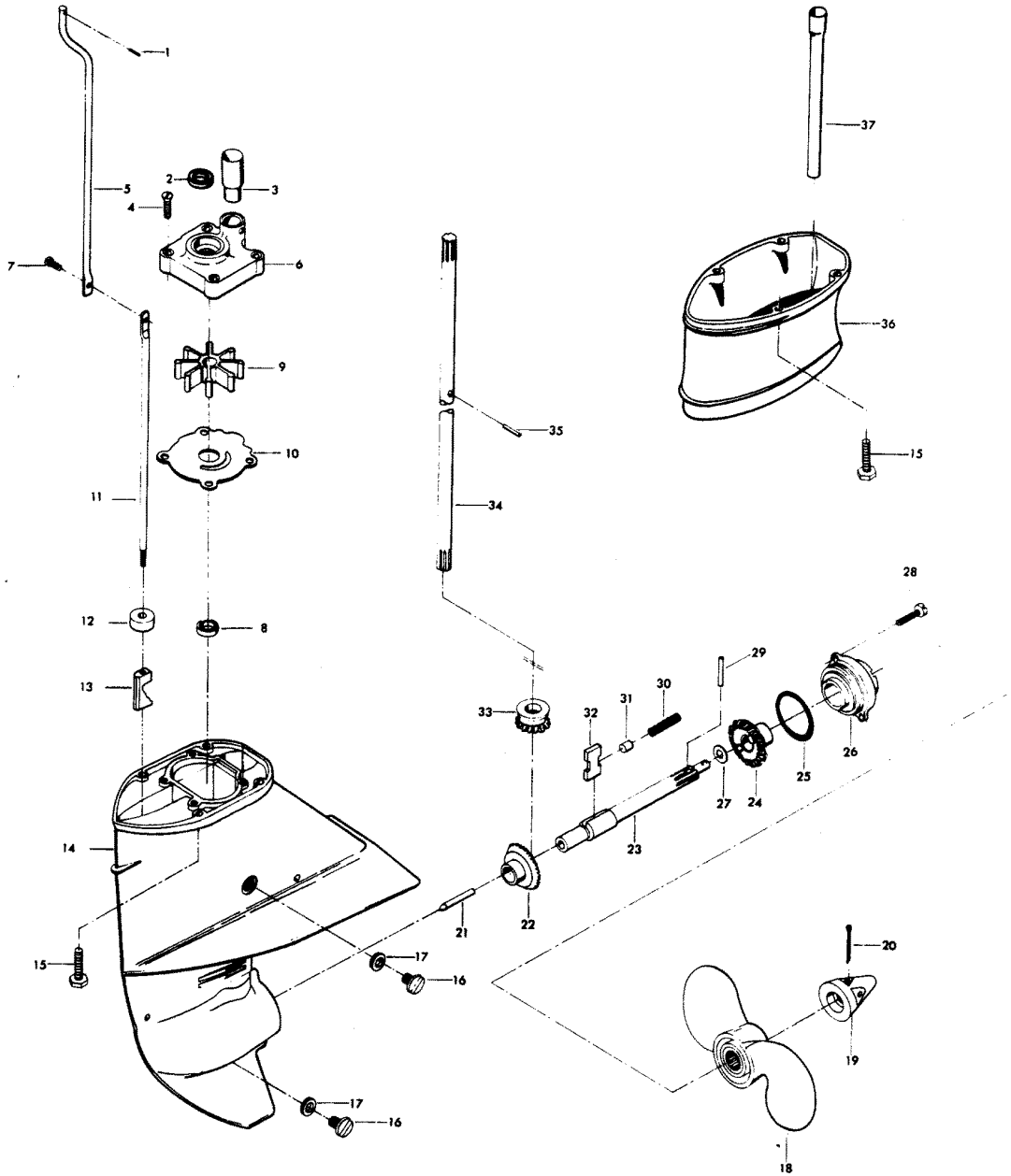




# MOTOR LEG

REF. NO.	PART NO.	SYM.	QTY.	DESCRIPTION
-	F286585-1		1	DECAL, TILT RELEASE (NOT SHOWN)

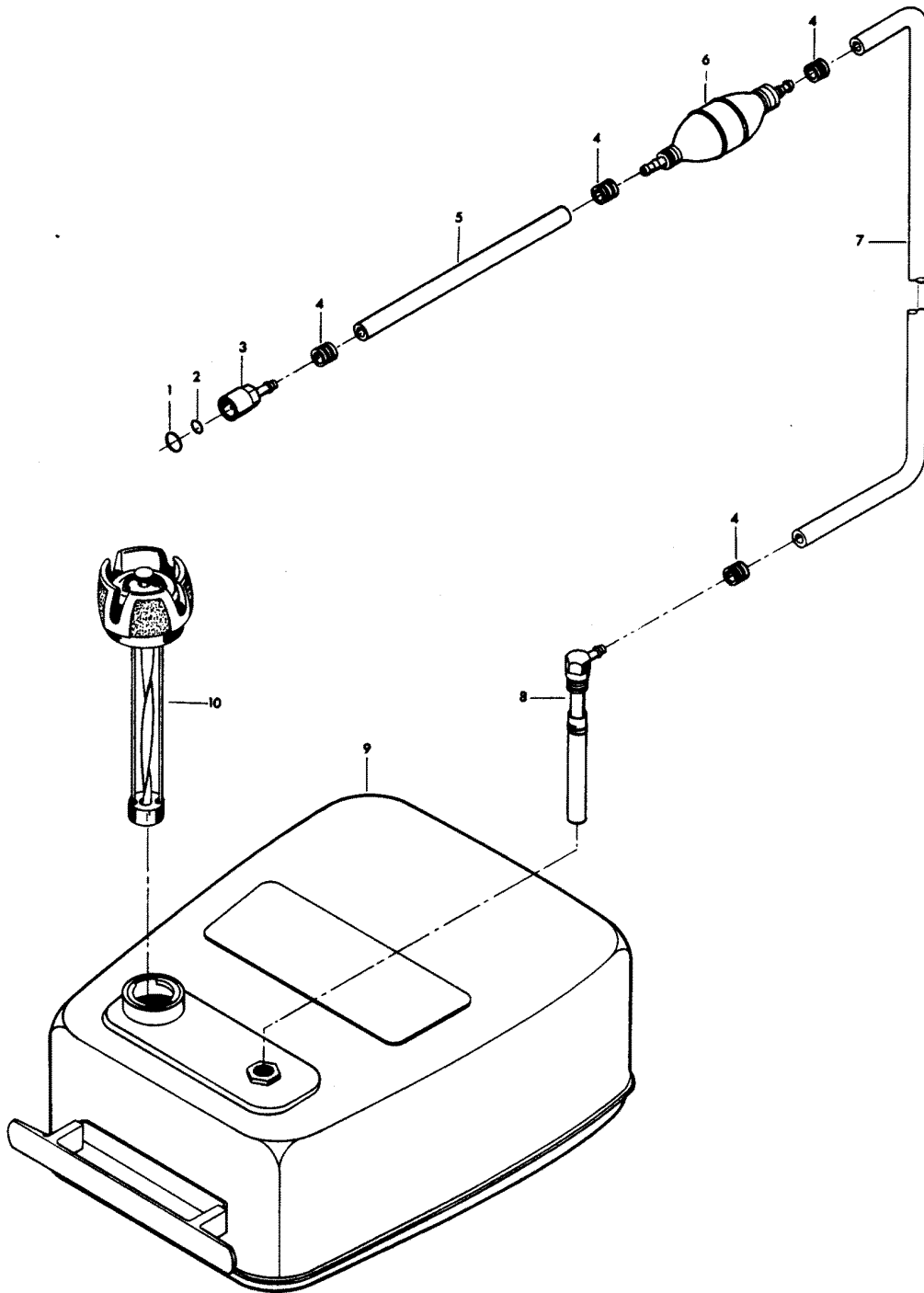
# GEAR HOUSING



# GEAR HOUSING

REF. NO.	PART NO.	SYM.	QTY.	DESCRIPTION
1	F1850		1	SPRING PIN
2	F318307		1	SEAL, WATER PUMP
3	FA510914		1	SEAL, INLET WATER LINE
4	F1150		4	FLAT HD SCREW, 1/4 - 20 X 1-1/8
5	F318615		1	GEAR SHIFT ROD UPPER
6	FA516060		1	WATER PUMP BODY W/WATER PUMP SEAL
7	F1976		1	SOCKET HD SCREW W/WASHER, 10 - 24 X 1/2
8	F318307		1	SEAL, DRIVESHAFT
9	F429065-1		1	WATER PUMP IMPELLER
10	F341562		1	WATER PUMP BACK PLATE
11	F286705		1	GEAR SHIFT ROD LOWER, FOR STANDARD SHAFT MODELS
-	<b>F330705</b>		<b>1</b>	<b>GEAR SHIFT ROD LOWER, FOR LONG SHAFT MODELS</b>
12	318618		1	SEAL, GEAR SHIFT ROD LOWER
13	F387721		1	CLUTCH, SHIFT CAM
14	FA430054		1	GEAR HOUSING <b>W/BEARINGS AND ITEMS 8, 12, 16 &amp; 17</b>
15	F430732		8	HEX HD SCREW, 5/16 - 18 X 1-1/4
16	F50109		2	GEAR HOUSING PLUG
17	F8077		2	NYLTITE WASHER
18	FP488		1	PROPELLER (6 H.P.) (ACCESSORY ITEM)
19	11-817752A1		1	PROPELLER NUT W/COTTER PIN
20	F1846		1	COTTER PIN
21	F901728		1	CLUTCH SHIFT PIN
22	43-817770A3		1	BEVEL GEAR W/BEARING
23	FA409098		1	PROPELLER SHAFT <b>W/ITEMS 27 AND 30</b>
24	43-817770A3		1	BEVEL GEAR W/BEARING
25	F286305		1	SEAL, PROPELLER SHAFT BEARING CAGE
26	31-818051A1		1	PROPELLER SHAFT BEARING CAGE W/BEARING AND SEAL
27	F317717		1	WASHER
28	F1802		2	FILL HD SCREW, 1/4 - 20 X 9/16
29	FA324101		1	PROPELLER PIN, PACK OF 3
30	F409719		1	CLUTCH SPRING
31	F318372		1	PIN, CLUTCH GUIDE
32	F409521		1	CLUTCH
33	F318266		1	GEAR, BEVEL PINION
34	FS318128		1	DRIVESHAFT, FOR STANDARD SHAFT MODELS
-	<b>F332128</b>		<b>1</b>	<b>DRIVESHAFT, FOR LONG SHAFT MODELS</b>
35	F50563		1	WATER PUMP IMPELLER DRIVE PIN
36	FA487845		1	MOTOR LEG EXTENSION, FOR LONG SHAFT MODELS
37	FS901244		1	INLET WATER LINE EXTENSION, FOR LONG SHAFT MODELS
-	<b>FC430054</b>		<b>1</b>	<b>GEAR HOUSING COMPLETE (NOT SHOWN) INCLUDES ALL ITEMS MARKED WITH AN ASTERISK (*).</b>

# FUEL TANK AND LINE



# FUEL TANK AND LINE

REF. NO.	PART NO.	SYM.	QTY.	DESCRIPTION
1	F213342		1	SEAL, FUEL LINE COUPLER
2	F213735		1	SEAL, FUEL LINE COUPLER
3	F197787-2		1	FUEL LINE COUPLER
4	F298788		4	FERRULE
5	FA84754-1		1	FUEL LINE SHORT W/FERRULES
6	89396A38		1	PRIME BULB
7	32-817738A1		1	FUEL LINE, LONG W/CLAMP AND FERRULE
8	F487755		1	FUEL TANK ADAPTER
9	F5H027		1	FUEL TANK (ACCESSORY ITEM)
10	F409251-1		1	GAUGE CAP
-	<b>FS409752</b>		<b>1</b>	<b>FUEL LINE COMPLETE (NOT SHOWN)</b>

## SPECIAL TOOLS - TUNE-UP

REF. NO.	PART NO.	SYM.	QTY.	DESCRIPTION
-	FT8965		0	KNOCK-OFF NUT TO REMOVE FLYWHEEL
-	FT2989		0	FLYWHEEL WEDGE TO REMOVE FLYWHEEL

## SPECIAL TOOLS - STARTER

REF. NO.	PART NO.	SYM.	QTY.	DESCRIPTION
-	FT2985		0	STARTER REWIND KEY TO REWIND STARTER SPRING

## SPECIAL TOOLS - POWER HEAD

REF. NO.	PART NO.	SYM.	QTY.	DESCRIPTION
-	FT8949		0	SEAL INSTALLER TO INSTALL UPPER CRANKSHAFT BEARING CAGE SEAL
-	FT8929		0	ADAPTER AND HEX BIT TO TORQUE CONNECTING ROD SCREWS
-	FT2997		0	RING COMPRESSOR TO INSTALL PISTONS IN CYLINDERS
-	FT8926		0	PISTON RING EXPANDER TO INSTALL RINGS ON PISTONS



## SPECIAL TOOLS - LOWER UNIT

REF. NO.	PART NO.	SYM.	QTY.	DESCRIPTION
-	FT2915		0	SEAL INSTALLER TO INSTALL DRIVESHAFT SEAL
-	FT2907		0	SEAL INSTALLER TO INSTALL PROPELLER SHAFT SEAL
-	FT2993		0	BEARING CAGE PULLER TO REMOVE PROPELLER SHAFT BEARING CAGE

## **SPECIAL TOOLS - TEST EQUIPMENT**

<b>REF. NO.</b>	<b>PART NO.</b>	<b>SYM.</b>	<b>QTY.</b>	<b>DESCRIPTION</b>
-	FT8438		0	TEST WHEEL (6 H.P.) TO TEST MOTOR IN TEST TANK
-	FT8950		0	LEAKAGE TESTER TO TEST LOWER UNIT SEALS FOR LEAKS
-	T8974		0	BREAKER POINT TENSION GAUGE FOR CHECKING BREAKER POINT SPRING TENSION

# ACCESSORIES

REF. NO.	PART NO.	SYM.	QTY.	DESCRIPTION
-	F5H025		0	ANTI-CORROSION SACRIFICIAL ANODE USED TO HELP PREVENT CORROSION.
-	FK1018-1		0	5" LONG LEG CONVERSION KIT CONVERTS 15" STANDARD SHAFT MODEL TO 20" LONG SHAFT MODEL.
-	F5H056		0	15" LONG LEG CONVERSION KIT CONVERTS 15" STANDARD SHAFT OR 20" LONG SHAFT MODEL TO 30" LONG SHAFT MODEL.
-	F588		0	FLUSHING ADAPTER PERMITS FRESH WATER FLUSHING OF WATER PASSAGES WITH STANDARD GARDEN HOSE.
-	F5H062		0	WATER PUMP KIT HEAVY DUTY WATER PUMP RECOMMENDED FOR CONTINUED OPERATION IN SANDY OR SALT WATER.
-	F5H053		0	REMOTE CONTROL CONVERSION KIT PERMITS REMOTE CONTROL OF THROTTLE, GEAR SHIFT AND STEERING FROM FRONT OF BOAT.
-	F5H063		0	SYNCHRO-DRIVE CONTROL BOX (SINGLE LEVER) PERMITS REMOTE CONTROL OF THROTTLE AND GEAR SHIFT FROM STARBOARD SIDE OF BOAT.
-	5H067		0	PORT SIDE DECAL KIT CONVERTS 72H36 CONTROL BOX TO PORT SIDE MOUNTING.
-	F866		0	DUO-DRIVE CONTROL BOX (TWIN LEVER) PERMITS REMOTE CONTROL OF THROTTLE AND GEAR SHIFT. MAY BE MOUNTED ON PORT OR STARBOARD SIDE OF BOAT.
-	865		0	TWIN SYNCHRO-DRIVE CONTROL BOX PERMITS REMOTE CONTROL OF THROTTLE AND GEAR SHIFT ON TWIN ENGINE INSTALLATIONS. MAY BE MOUNTED ON PORT STARBOARD SIDE OF BOAT.
-	F137		0	REMOTE STEERING BRACKET ADAPTS MOTOR TO CABLE TYPE REMOTE STEERING.
-	F165		0	REMOTE STEERING BRACKET W/PULLEYS ADAPTS MOTOR TO CABLE TYPE REMOTE STEERING.
-	167		0	IGNITION CUT-OFF KIT PERMITS STOPPING OF ENGINE FROM OPERATORS SEAT.
-	F195/___		0	REMOTE CONTROL CABLES CONNECTS REMOTE CONTROL BOX TO THROTTLE AND GEAR SHIFT ON MOTOR. AVAILABLE IN 6 THROUGH 20 FOOT LENGTHS.
-	F5H054		0	REMOTE STEERING BRACKET ADAPTS MOTOR TO REMOTE STEERING.
-	F5H027		0	STEEL, 6 GALLON FUEL TANK W/HOSE
-	F5H029		0	FUEL TANK ANCHOR RETAIN MODEL 5H027 TANK TO BOAT FLOOR.
-	F476		0	FUEL LINE ADAPTION KIT ADAPTS MODEL 583 TANK FOR AUTOMATIC VENT AND DISCONNECT AT TANK.
-	491		0	CARRYING HANDLE CARRYING HANDLE FOR MOUNTING ON REAR OF SUPPORT PLATE.
-	72H02		0	CARRYING BAG CANVAS BAG FOR TRANSPORTING AND STORING ENGINE.
-	F5H134		0	BOAT WHITE LACQUER ENGINE TOUCH-UP PAINT IN 12 3/4 OZ. SPRAY BOMBS (6 CANS PER CASE).

# SPECIFICATIONS

REF. NO.	PART NO.	SYM.	QTY.	DESCRIPTION
-			0	HORSEPOWER 6 B.I.A. CERTIFIED BRAKE H.P. AT 5000 R.P.M.
-			0	ENGINE TWO-CYCLE, TWIN CYLINDER, ALTERNATE FIRING.
-			0	BORE AND STROKE 1-7/8" X 1-5/8" (6 H.P.).
-			0	DISPLACEMENT 8.99 CUBIC INCHES (6 H.P.).
-			0	CARBURETOR FLOAT FEED.
-			0	CONNECTING ROD DIE CAST ALUMINUM - STEEL LINERS WITH NEEDLE BEARINGS AT CRANKSHAFT.
-			0	CRANKSHAFT FORGED NICKEL STEEL, BALL BEARINGS AT UPPER MAIN. FULL COMPLEMENT NEEDLE ROLLERS AT CENTER MAIN.
-			0	RECOMMENDED OPERATING RANGE 4500 - 5500 R.P.M.
-			0	FUEL TANK SEPARATE STEEL TANK - 6 U.S. GALLONS, 5 IMPERIAL GALLONS
-			0	PROPELLER SHAFT AND DRIVESHAFT STAINLESS STEEL, HARDENED, GROUND AND POLISHED.
-			0	PROPELLER ALUMINUM ALLOY - 8" DIAMETER, 5" PITCH RIGHT HAND ROTATION.
-			0	COOLING WATER COOLED - POSITIVE DISPLACEMENT TYPE WATER PUMP.
-			0	TRANSOM HEIGHT 15" OR 20".
-			0	WEIGHT 47 POUNDS FOR STANDARD SHAFT MODELS (6 H.P.).
-			0	TILT LOCK POSITIVE TILT LOCK PERMITS ENGINE TO REMAIN IN TILTED POSITION WHEN NOT IN USE.

# LUBRICATION CHART

REF. NO.	PART NO.	SYM.	QTY.	DESCRIPTION
-			0	STARTER PINION GEAR SAE 30 MOTOR OIL, IF STARTER OPERATION BECOMES SLUGGISH
-			0	STARTER SPOOL BEARINGS SAE 30 MOTOR OIL, IF STARTER OPERATION BECOMES SLUGGISH
-			0	THROTTLE CAM FOLLOWER SAE 30 MOTOR OIL, TWICE EACH SEASON, OFTENER IF REQUIRED
-			0	MAGNETO CONTROL SHAFT BEARINGS SAE 30 MOTOR OIL, TWICE EACH SEASON, OFTENER IF REQUIRED.
-			0	STEERING HANDLE PINION GEAR EP-ALL PURPOSE CHASSIS LUBRICATION, TWICE EACH SEASON, OFTENER IF REQUIRED
-			0	STEERING HANDLE BEVEL GEAR EP-ALL PURPOSE CHASSIS LUBRICATION, TWICE EACH SEASON, OFTENER IF REQUIRED
-			0	REVERSE LOCK SAE 30 MOTOR OIL, TWICE EACH SEASON, OFTENER IF REQUIRED
-			0	CLAMP SCREW SAE 30 MOTOR OIL, TWICE EACH SEASON, OFTENER IF REQUIRED
-			0	STERN BRACKET PIVOT BOLT SAE 30 MOTOR OIL, TWICE EACH SEASON, OFTENER IF REQUIRED
-			0	GEAR HOUSING CHRYSLER OUTBOARD GEAR LUBE, EVERY 30 HOURS, OFTENER IF REQUIRED
-			0	FUEL LINE COUPLER RELEASE RING SAE 30 MOTOR OIL, TWICE EACH SEASON, OFTENER IF REQUIRED
-			0	GREASE FITTINGS GREASE FITTINGS ARE PROVIDED AT CRITICAL POINTS WHERE BEARING SURFACES ARE NOT EXPOSED EXTERNALLY. USING AN AUTOMOTIVE TYPE GREASE GUN AND LUBRICANT, GREASE TWICE EACH SEASON OR OFTENER IF REQUIRED.

# SPECIAL ADJUSTMENTS

REF. NO.	PART NO.	SYM.	QTY.	DESCRIPTION
-			0	BREAK POINT GAP .020".
-			0	SPARK PLUG CHAMPION L-4-J, GAP .030".
-			0	ADJUSTING STEERING TENSION STEERING TENSION CAN BE ADJUSTED BY TURNING THE ONE (1) STEERING FRICTION ADJUSTING SCREW, ILLUSTRATION 68, PAGE 13, IN THE DIRECTION REQUIRED.
-			0	POINT OF THROTTLE OPENING SET THE POSITION OF THE THROTTLE CAM FOLLOWER ROLLER, ILLUSTRATION 51, PAGE 9 SO THAT THE THROTTLE SHUTTER IN THE CARBURETOR WILL BE
-			0	FLYWHEEL NUT

# PARTS INDEX

Part Number	Description	Pg.	Ref. No.	Part Number	Description	Pg.	Ref. No.
167	IGNITION CUT-OFF KIT . . . .	33	-	F12083	CONDENSER SCREW		
2A341167	MANIFOLD W/STUDS, PULLEY AND SPRING PIN	13	55	F12088	W/LOCKWASHER . . . . .	7	7
2C487712	ENGINE COVER, COMPLETE	3	-	F12091	GROMMET . . . . .	7	19
318318	ROLLER, THROTTLE CAM FOLLOWER . . . . .	13	51	F12114	LEAD WIRE MARKER, TOP (NOT SHOWN) . . . . .	7	-
318618	SEAL, GEAR SHIFT ROD LOWER . . . . .	25	12	F12127	SCREW, COIL GROUND TERMINAL . . . . .	7	26
491	CARRYING HANDLE . . . . .	33	-	F12128	STUD NUT . . . . .	7	21
5H067	PORT SIDE DECAL KIT . . . .	33	-	F12129	INSULATOR, OUTSIDE . . . .	7	23
72H02	CARRYING BAG . . . . .	33	-	F12141	INSULATOR, INSIDE . . . . .	7	25
817754A1	ARM, CARBURETOR ADJUSTING . . . . .	11	15	F12142	SLEEVE, HIGH TENSION LEAD . . . . .	7	27
817758A1	BRACKET, COVER LATCH W/SCREWS, NUTS AND ROLLER . . . . .	3	14	F12146	CONNECTION STUD . . . . .	7	24
817761A2	CLAMP SCREW . . . . .	21	44	F12153	COIL WEDGE SPRING . . . .	7	15
817773A1	THROTTLE CAM FOLLOWER	13	47	F12170	BREAKER POINT SET . . . . .	7	6
817779A1	STEERING ARM . . . . .	21	78	F12181-1	CONTACT SCREW W/LOCKWASHER . . . . .	7	4
817938A1	RETAINER, STARTER ROPE HANDLE . . . . .	9	21	F12228	CONDENSER . . . . .	7	8
865	TWIN SYNCHRO-DRIVE CONTROL BOX . . . . .	33	-	F12343	CAM WIPER FELT . . . . .	7	5
89396A38	PRIME BULB . . . . .	27	6	F1286	STATOR PLATE W/LAMINATIONS . . . . .	7	9
A317711-2	PLATE, FRONT . . . . .	5	53	F1286	PAN HD SCREW, 4 - 40 X 3/16 . . . . .	11	4
A318018-2	CRANKSHAFT W/UPPER MAIN BEARING . . . . .	15	23	F1293	DRIVE SCREW, 2 X 3/16 . . .	5	42
A318028-1	BEARING, CRANKSHAFT UPPER MAIN . . . . .	17	52	F1298	ROUND HD SCREW W/LOCKWASHER, 6 - 32 X 1/4 . . . . .	13	61
A318038-4	SUPPORT PLATE W/EYELET AND PLUGS . . . . .	3	37	F1335	FILL HD SCREW, 5/16 - 18 X 1-1/4 . . . . .	15	30
A318072-3	SWIVEL BRACKET . . . . .	21	67	F1341	HEX NUT, 1/4 - 20 . . . . .	21	55
A318229-1	CONNECTING ROD LINER (2 PER SET) . . . . .	15	27	F1352	HEX NUT, 7/16 - 20 . . . . .	7	1
A487010-1	CYLINDER . . . . .	15	5	F1365	SQUARE NUT, 10 - 24 . . . .	11	17
C487010-1	SHORT BLOCK (NOT SHOWN) . . . . .	17	-	F137	REMOTE STEERING BRACKET . . . . .	33	-
F10006	GASKET SET (NOT SHOWN)	13	-	F141118	SEAL, CRANKSHAFT . . . . .	15	14
F10008	REPAIR PARTS KIT (NOT SHOWN) . . . . .	13	-	F1475	FILL HD SCREW, 10 - 24 X 1/2 . . . . .	3	9
F1052	FILL HD SCREW, 1/4 - 20 X 1	15	39	F1490	HEX NUT, 1/4 - 20 . . . . .	13	50
F1068	FILL HD SCREW, 10 - 24 X 7/16 . . . . .	3	30	F1502	HEX CAP SCREW, 1/4 - 20 X 5/8 . . . . .	15	12
F1069	FILL HD SCREW, 10 - 24 X 1- 1/16 . . . . .	11	1	F154415	WASHER . . . . .	3	27
F1075	FILL HD SCREW, 10 - 24 X 1/2 . . . . .	7	12	F154415	WASHER . . . . .	5	49
F1089	FILL HD SCREW, 10 - 24 X 9/16 . . . . .	9	1	F1574	FILL HD SCREW, 1/4 - 20 X 9/16 . . . . .	3	16
F1090	FILL HD SCREW W/LOCKWASHER, 10 - 24 X 9/16 . . . . .	7	16	F1608	NUT, 1/4 - 20 . . . . .	19	28
F1107	FILL HD SCREW, 1/4 - 20 X 3/4 . . . . .	9	11	F165	REMOTE STEERING BRACKET W/PULLEYS . . .	33	-
F1107	FILL HD SCREW, 1/4 - 20 X 3/4 . . . . .	15	31	F1666	BOWED SPRING WASHER . .	19	41
F1111	FILL HD SCREW, 1/4 - 20 X 1	15	29	F1689	HEX CAP SCREW, 1/4 - 20 X 1/2 . . . . .	3	34
F1111	FILL HD SCREW, 1/4 - 20 X 7/8 . . . . .	15	13	F1689	HEX CAP SCREW, 1/4 - 20 X 1/2 . . . . .	21	62
				F1689	HEX CAP SCREW, 1/4 - 20 X 1/2 . . . . .	21	63
				F1753	FASTENER . . . . .	3	4
				F1794	SPRING PIN . . . . .	19	24
				F1799	TRUSS HD SCREW, 5/16 - 18 X 5/8 . . . . .	19	4
				F1802	FILL HD SCREW, 1/4 - 20 X 9/16 . . . . .	25	28

# PARTS INDEX

Part Number	Description	Pg.	Ref. No.	Part Number	Description	Pg.	Ref. No.
F1803	STOP NUT, 5/16 - 24	15	36	F286134	STUD	3	22
F1804	STOP NUT	3	18	F286134	STUD	9	5
F1804	STOP NUT	9	8	F286169	BEARING, SWIVEL		
F1805	SPRING PIN	21	54		BRACKET	21	57
F1807	GROOVE PIN	19	16	F286220	WASHER	19	9
F18160-1	REED, FUEL PUMP	11	6	F286224	INSERT, STEERING HANDLE	19	6
F1820	FILL HD SCREW, 1/4 - 20 X 1-3/8	21	68	F286277	GASKET, CRANKSHAFT		
F1823	HEX HD CAP SCREW, 5/16 - 18 X 1	15	6		BEARING CAGE	15	16
F1829	FILL HD SCREW, 10 - 24 X 7/8	21	71	F286282	WASHER	15	35
F1834	FILL HD SCREW, 10 - 24 X 7/8	11	14	F286286-1	WASHER, STERN BRACKET	19	15
F183813	BEARING, MAGNETO CONTROL LEVER	15	33	F286300	SPRING, REVERSE LOCK	19	29
F1839	GROOVE PIN	19	31	F286305	SEAL, PROPELLER SHAFT		
F184579	SEAL	3	20		BEARING CAGE	25	25
F1846	COTTER PIN	25	20	F286364	LEVER, REVERSE LOCK	19	23
F1850	SPRING PIN	25	1	F286422-1	TILT LOCK PIVOT	19	42
F1859	SOCKET HD SET SCREW, 1/4 - 28 X 3/16	19	7	F286440	STUD, MAGNETO CONTROL LEVER	15	28
F1875	SPRING PIN, STARTER BRACKET	9	18	F286451	SPACER, TILT LOCK	19	39
F1876	SPRING PIN	13	56	F286461	SPRING, LOCK BAR		
F18906	CARBURETOR GASKET	13	53		HANDLE	21	51
F1912	HEX HD SCREW, 10 - 24 X 1/2	11	13	F286490	STOP, STEERING HANDLE	21	79
F1914	HEX HD SCREW, 1/4 - 20 X 3/4	13	48	F286544-1	SPRING, TILT LOCK	19	38
F1915	HEX HD SCREW, 1/4 - 20 X 7/8	15	44	F286571	CENTER MAIN BEARING		
F1922	HEX HD SCREW, 1/4 - 20 X 5/8	15	9		ROLLERS (26 PER SET)	15	22
F195/_	REMOTE CONTROL CABLES	33	-	F286573-1	STEERING FRICTION		
F1976	SOCKET HD SCREW W/WASHER, 10 - 24 X 1/2	25	7		CLAMP	21	69
F197767-1	BUSHING, FUEL LINE	5	50	F286585-1	DECAL, TILT RELEASE (NOT SHOWN)	23	-
F197787-2	FUEL LINE COUPLER	27	3	F286614	GEAR SHIFT HANDLE	5	45
F1978	SPRING PIN	21	85	F286634-1	CONNECTING ROD SCREW	15	25
F197813	BEARING	19	19	F286705	GEAR SHIFT ROD LOWER, FOR STANDARD SHAFT		
F2002	STOP NUT, 5/16 - 18	3	40		MODELS	25	11
F2040	HEX HD SCREW, 1/4 - 20 X 5/8	17	55	F286710	ARBOR, STARTER SPRING	9	9
F2042	PLAIN WASHER	9	24	F286737-1	RETAINER, STARTER		
F213274	GREASE FITTING	19	30		REWIND SPRING	9	14
F213342	SEAL, FUEL LINE COUPLER	27	1	F286777	CAM, COVER LATCH	3	39
F213735	SEAL, FUEL LINE COUPLER	27	2	F286818	BEARING, STEERING		
F24074	CLAMP SCREW FOOT	21	48		HANDLE INSERT	19	5
F24748-2	GASKET, FUEL PUMP COVER	11	3	F286827	LEVER, REVERSE LOCK RELEASE	19	14
F269316	ROLLER SHAFT	3	12	F286868	SPRING, STEERING		
F2706772	HOSE CLAMP	11	10		HANDLE STOP	21	80
F2788004	STUD, CARBURETOR	13	54	F286930	END, STARTER SPRING	9	15
F286011	WASHER, SWIVEL BRACKET	21	70	F286984-3	STEERING HANDLE		
F286079-1	STEERING HANDLE	19	8		INDICATOR	19	22
F286080	SCREW, STEERING HANDLE PIVOT	21	81	F289664	WIRE, STATOR GROUND	7	11
F286114	LOCK BAR HANDLE	21	52	F298788	FERRULE	27	4
F286132	HANDLE, STARTER ROPE	9	20	F2A430016	CONNECTING ROD W/CAP AND SCREWS	15	20
				F2A459239	STARTER SPOOL W/SHAFT	9	16
				F307818	BEARING	3	31
				F307818	BEARING	21	76
				F31160-1	REED	13	59
				F31410	RETAINING RING, PISTON PIN	15	18
				F317717	WASHER	25	27
				F318019	KING PIN	21	53
				F318037	STERN BRACKET PIVOT		
					BOLT	19	12



# PARTS INDEX

Part Number	Description	Pg.	Ref. No.	Part Number	Description	Pg.	Ref. No.
F318097	FLYWHEEL	7	3	F388226-1	PLUG	3	38
F318151	PLATE, EXHAUST	17	47	F40425	STARTER, PINION PIN	9	10
F318152	COVER, EXHAUST	15	45	F409232	STARTER ROPE	9	19
F318154	GASKET, EXHAUST COVER	15	46	F409244	WATER LINE	21	64
F318159	GASKET, REED PLATE	13	62	F409251-1	GAUGE CAP	27	10
F318168	GASKET, MANIFOLD	13	57	F409521	CLUTCH	25	32
F318222-1	TRANSFER PORT COVER	15	11	F409719	CLUTCH SPRING	25	30
F318223-1	GASKET, TRANSFER PORT COVER	15	10	F424075	HANDLE, CLAMP SCREW	21	45
F318228	CONNECTING ROD, ROLLER SET (24 PER SET)	15	26	F424161	REED STOP	13	60
F318266	GEAR, BEVEL PINION	25	33	F429061-2	CARBURETOR COMPLETE (CO6C)	11	40
F318279-1	GASKET, CYLINDER MOUNTING	15	41	F429065-1	WATER PUMP IMPELLER	25	9
F318307	SEAL, DRIVESHAFT	25	8	F429472	GASKET, CYLINDER DRAIN COVER	15	7
F318307	SEAL, WATER PUMP	25	2	F429541	TILT LOCK	19	40
F318342	SEAL, INLET WATER LINE UPPER	21	65	F429688	SHAFT, STEERING HANDLE	19	11
F318346	SHOCK MOUNT LOWER	21	58	F429811	SCREENS, CYLINDER DRAIN	15	2
F318347-1	SHOCK MOUNT UPPER	19	3	F429838	SHAFT, MAGNETO CONTROL	21	77
F318349	REVERSE LOCK	19	33	F430732	HEX HD SCREW, 5/16 - 18 X 1-1/4	25	15
F318372	PIN, CLUTCH GUIDE	25	31	F458498	MAGNETO KEY	7	14
F318433	BRACKET SHALLOW WATER DRIVE	19	35	F458677	INSERT, CHOKE KNOB	5	43
F318453-1	GASKET, LEG MOUNTING	5	44	F458695	SLEEVE	21	83
F318504	GROMMET, CHOKE ROD	5	54	F468342	SEAL	17	56
F318509-3	LINK, THROTTLE CAM	15	40	F476	FUEL LINE ADAPTION KIT	33	-
F318518-4	CYLINDER HEAD	15	3	F487180	TRIM, ENGINE COVER, REAR	3	6
F318529	CYLINDER HEAD GASKET	15	4	F487226	PLUG	3	36
F318539	BUMPER	19	2	F487263	LINK, STARTER INTERLOCK	3	21
F318611-1	GEAR SHIFT ROD	3	26	F487392	DECAL, PORT, "CHRYSLER"	3	8
F318615	GEAR SHIFT ROD UPPER	25	5	F487396	DECAL, STARBOARD "CHRYSLER"	3	-
F318647	CARRYING HANDLE	19	43	F487417	GEAR SHIFT HANDLE SHAFT	5	47
F318756	PACKING, SUPPORT PLATE	3	35	F487424-1	STARTER PINION SPRING	9	3
F318818	BEARING	3	17	F487427-1	BRACKET, STARTER UPPER	9	4
F318861	SEAL, SHOCK MOUNT PLATE	21	60	F487435	PULLEY, STARTER ROPE	13	49
F318871	SHAFT, GEAR SHIFT LEVER	3	33	F487619	LEVER, GEAR SHIFT SHAFT	3	23
F318876-1	GEAR SHIFT LEVER	3	29	F487660-1	EXHAUST TUBE	17	54
F318895	SPRING, SHIFT DETENT	3	32	F487674	GEAR, STARTER PINION	9	2
F318956	BRACKET SHOCK MOUNT LOWER	21	56	F487711	PLATE, ENGINE COVER	3	2
F318963	PLATE, SHOCK MOUNT LOWER	21	61	F487727	BALL, INTERLOCK DETENT	9	22
F318967	GASKET, SHOCK MOUNT PLATE	21	59	F487755	FUEL TANK ADAPTER	27	8
F330705	GEAR SHIFT ROD LOWER, FOR LONG SHAFT MODELS	25	-	F487781-3	STARTER INTERLOCK	9	7
F332128	DRIVESHAFT, FOR LONG SHAFT MODELS	25	-	F487816	BEARING, STEERING HANDLE	21	72
F341384	RETAINER, CHOKE ROD	13	45	F487895	SPRING INTERLOCK DETENT	9	23
F341562	WATER PUMP BACK PLATE	25	10	F50109	GEAR HOUSING PLUG	25	16
F341693	WEDGE, STEERING HANDLE	21	73	F50563	WATER PUMP IMPELLER DRIVE PIN	25	35
F343014	BEARING, CRANKSHAFT LOWER MAIN	15	42	F516192	THROTTLE CAM PLATE	7	10
F343226-1	PLUG	5	52	F516754	FUEL LINE W/CLAMPS	11	11
F387445-1	LINK, MAGNETO CONTROL ROD	15	32	F53795-1	STEERING HANDLE GRIP DAMPENERS	19	10
F387721	CLUTCH, SHIFT CAM	25	13	F588	FLUSHING ADAPTER	33	-
				F59002	MAGNETO BREAKER CAM, WICO 11417	7	13

# PARTS INDEX

Part Number	Description	Pg.	Ref. No.	Part Number	Description	Pg.	Ref. No.
F5H025	ANTI-CORROSION SACRIFICIAL ANODE . . . .	33	-	FA286155	MAIN BEARING LINER SET (2 PER SET) . . . . .	15	21
F5H027	FUEL TANK (ACCESSORY ITEM) . . . . .	27	9	FA286469	KNOB, COVER LATCH . . . .	5	51
F5H027	STEEL, 6 GALLON FUEL TANK W/HOSE . . . . .	33	-	FA286480	RETAINER, ENGINE COVER W/SCREWS AND NUTS . .	3	10
F5H029	FUEL TANK ANCHOR . . . . .	33	-	FA286970	STARTER REWIND SPRING W/END AND RETAINER . .	9	13
F5H053	REMOTE CONTROL CONVERSION KIT . . . . .	33	-	FA317260	PISTON RING SET (3 PER SET) . . . . .	17	49
F5H054	REMOTE STEERING BRACKET . . . . .	33	-	FA318113	LOCK BAR W/HANDLE AND SPRING . . . . .	21	50
F5H056	15" LONG LEG CONVERSION KIT . . . . .	33	-	FA318144	CAGE, CRANKSHAFT BEARING W/SEAL . . . . .	15	15
F5H062	WATER PUMP KIT . . . . .	33	-	FA318503	CHOKE ROD W/KNOB AND INSERT . . . . .	5	55
F5H063	SYNCHRO-DRIVE CONTROL BOX (SINGLE LEVER) . . .	33	-	FA324101	PROPELLER PIN, PACK OF 3 . . . . .	25	29
F5H134	BOAT WHITE LACQUER . . . . .	33	-	FA341510	LINK, REVERSE LOCK LEVER . . . . .	19	25
F66193	THROTTLE LINK . . . . .	11	16	FA343178	RETAINER W/SET SCREW . .	21	74
F66480	STUD CLAMP SCREW . . . . .	21	49	FA387081	LEVER, MAGNETO CONTROL . . . . .	15	34
F7005	STOP NUT, 3/8 - 16 . . . . .	19	36	FA387158	REED PLATE W/REEDS, STOPS AND SCREWS . . .	13	58
F7011	ELASTIC STOP NUT, 10 - 24 . . . . .	3	11	FA387742	LEVER REVERSE LOCK INTERMEDIATE . . . . .	19	18
F7011	STOP NUT, 10 - 24 . . . . .	3	15	FA409098	PROPELLER SHAFT . . . . .	25	23
F7017	PISTON PIN . . . . .	15	19	FA429015	PISTON . . . . .	17	48
F73082	MAGNETO STATOR RING . . . . .	15	17	FA429471	CYLINDER DRAIN COVER W/CHECK VALVES AND SCREENS . . . . .	15	8
F78410	RETAINER . . . . .	13	52	FA430054	GEAR HOUSING . . . . .	25	14
F8003	PLAIN WASHER . . . . .	11	5	FA456137	GRIP, STEERING HANDLE W/SLEEVE . . . . .	19	1
F8011	PLAIN WASHER . . . . .	3	19	FA487528	INSERT, TRIM REAR . . . . .	3	7
F8011	PLAIN WASHER . . . . .	9	6	FA487845	MOTOR LEG EXTENSION, FOR LONG SHAFT MODELS . . . . .	25	36
F8025	PLAIN WASHER . . . . .	17	53	FA487892	INSERT, PLATE FRONT - USA . . . . .	3	1
F8039	PLAIN WASHER . . . . .	19	27	FA510914	SEAL, INLET WATER LINE . .	25	3
F8049	BOWED WASHER . . . . .	5	48	FA516060	WATER PUMP BODY W/WATER PUMP SEAL . .	25	6
F8055	LOCKWASHER . . . . .	7	22	FA77395-5	PLATE, IDENTIFICATION W/SCREWS FOR USA MODELS . . . . .	5	41
F8058	TOOTH LOCKWASHER . . . .	19	21	FA84754-1	FUEL LINE SHORT W/FERRULES . . . . .	27	5
F8077	NYLTITE WASHER . . . . .	25	17	FC430054	GEAR HOUSING COMPLETE (NOT SHOWN) . . . . .	25	-
F8083	SPRING LOCKWASHER . . . .	19	26	FG1004-1	GASKET SET (NOT SHOWN) . .	17	-
F8537	SPRING PIN . . . . .	3	25	FK1018-1	5" LONG LEG CONVERSION KIT . . . . .	33	-
F8537	SPRING PIN . . . . .	21	47	FK317427	BRACKET, STARTER LOWER W/SPRING PIN . .	9	17
F8538	SPRING PIN . . . . .	19	17	FK750-2	SPARKIE W/SPRING . . . . .	7	20
F8540	SPRING PIN . . . . .	3	24	FO10165	INLET SEAT GASKET . . . . .	11	35
F8540	SPRING PIN . . . . .	19	20	FO10280	CHOKE SHUTTER RETAINING SCREW AND LOCKWASHER . . . . .	11	27
F8547	SPRING PIN . . . . .	3	28				
F8548	SPRING PIN . . . . .	21	84				
F8554	SPRING PIN . . . . .	21	46				
F8559	DOWEL PIN . . . . .	17	50				
F85610	BEARING . . . . .	21	82				
F85735-1	SEAL . . . . .	3	3				
F866	DUO-DRIVE CONTROL BOX (TWIN LEVER) . . . . .	33	-				
F901456-1	EMERGENCY STARTER COLLAR . . . . .	7	2				
F901728	CLUTCH SHIFT PIN . . . . .	25	21				
F901746-2	FUEL PUMP COVER . . . . .	11	2				
F901811	FUEL PUMP FILTER . . . . .	11	9				
F901938-1	SCREW, CYLINDER HEAD . .	15	1				
F92759	ROLLER . . . . .	3	13				
FA12345	COIL W/LEAD WIRE . . . . .	7	17				
FA1844	HEX BOLT, 1/4 - 20 X 2-3/8 .	19	32				
FA24754-1	FUEL LINE W/CLAMPS . . . .	11	12				
FA24757-3	FUEL PUMP REED PLATE W/REEDS AND SCREWS . .	11	7				

# PARTS INDEX

Part Number	Description	Pg.	Ref. No.	Part Number	Description	Pg.	Ref. No.
FO10588	BODY CHANNEL CUP PLUG	11	19	FT2985	STARTER REWIND KEY . . .	29	-
FO10790	INLET NEEDLE, SEAT AND GASKET . . . . .	11	36	FT2989	FLYWHEEL WEDGE . . . . .	28	-
FO11103	1 . . . . .	11	39	FT2993	BEARING CAGE PULLER . .	31	-
FO13554	FLOAT . . . . .	11	28	FT2997	RING COMPRESSOR . . . . .	30	-
FO13630	MAIN FUEL JET STD. .033 SEA LEVEL - 3,000 FT. . .	11	34	FT8438	TEST WHEEL (6 H.P.) . . . . .	32	-
FO13944	FLOAT LEVER PIN . . . . .	11	29	FT8926	PISTON RING EXPANDER . .	30	-
FO13945	FUEL BOWL RETAINING SCREW . . . . .	11	33	FT8929	ADAPTER AND HEX BIT . . .	30	-
FO13979	MAIN FUEL JET OPT. .031 3,000 FT - 6000 FT. . . . .	11	-	FT8949	SEAL INSTALLER . . . . .	30	-
FO15207	MAIN FUEL JET OPT. .030 6,000 AND UP . . . . .	11	-	FT8950	LEAKAGE TESTER . . . . .	32	-
FO15366	FUEL BOWL . . . . .	11	32	FT8965	KNOCK-OFF NUT . . . . .	28	-
FO15367	CHOKE SHUTTER . . . . .	11	26	K429133-1	MOTOR LEG . . . . .	21	66
FO15368	CHOKE RELIEF VALVE . . . .	11	24	T8974	BREAKER POINT TENSION GAUGE . . . . .	32	-
FO15520	IDLE MIXTURE SCREW . . . .	11	38	11-817752A1	PROPELLER NUT W/COTTER PIN . . . . .	25	19
FO15526	THROTTLE SHAFT RETURN SPRING . . . . .	13	44	27-818043A1	FUEL PUMP DIAPHRAGM W/GASKETS . . . . .	11	8
FO15623	FUEL BOWL GASKET . . . . .	11	30	31-818051A1	PROPELLER SHAFT BEARING CAGE W/BEARING AND SEAL . .	25	26
FO15718	THROTTLE SHAFT AND LEVER . . . . .	13	43	32-817738A1	FUEL LINE, LONG W/CLAMP AND FERRULE . . . . .	27	7
FO15722	MAIN NOZZLE . . . . .	11	37	43-817770A3	BEVEL GEAR W/BEARING . .	25	22
FO15783	CHOKE RELIEF VALVE SPRING . . . . .	11	25	43-817770A3	BEVEL GEAR W/BEARING . .	25	24
FO16120	BYPASS TUBE . . . . .	11	20	43-818009--1	STEERING HANDLE GEAR . .	21	75
FO17362	CHOKE SHAFT AND LEVER	11	23				
FO2510	FUEL BOWL RETAINING SCREW GASKET . . . . .	11	31				
FO2531	BODY CHANNEL WELCH PLUG . . . . .	11	18				
FO4784	CHOKE FRICTION BALL . . .	11	21				
FO8502	THROTTLE SHUTTER . . . . .	13	42				
FO8805	CHOKE FRICTION SPRING . .	11	22				
FO8942	THROTTLE SHUTTER RETAINING SCREW AND LOCKWASHER . . . . .	11	41				
FP488	PROPELLER (6 H.P.) (ACCESSORY ITEM) . . . . .	25	18				
FS174227	SPARK PLUG (L-4-J) . . . . .	17	51				
FS318128	DRIVESHAFT, FOR STANDARD SHAFT MODELS . . . . .	25	34				
FS409752	FUEL LINE COMPLETE (NOT SHOWN) . . . . .	27	-				
FS487712	ENGINE COVER W/BRACKET AND RETAINER . . . . .	3	5				
FS567532	STERN BRACKET PORT W/CLAMP SCREW, AND FOOT . . . . .	19	37				
FS567532	STERN BRACKET STARBOARD W/CLAMP SCREW AND FOOT . . . . .	19	13				
FS901244	INLET WATER LINE EXTENSION, FOR LONG SHAFT MODELS . . . . .	25	37				
FT2907	SEAL INSTALLER . . . . .	31	-				
FT2915	SEAL INSTALLER . . . . .	31	-				