



PARTS CATALOG

6 H.P. SAILOR (PRE-RIGGED)

SERIAL NUMBER

6 (1980) 65B0A
6 (1980) 65H0A

TABLE OF CONTENTS:

ACCESSORIES	37
ELECTRICAL COMPONENTS	6
ENGINE COVER AND SUPPORT PLATE	2
FUEL SYSTEM	12
FUEL TANK AND LINE	28
GEAR HOUSING	24
MOTOR LEG	20
PARTS INDEX	38
POWER HEAD	16
SPECIAL TOOLS - LOWER UNIT	33
SPECIAL TOOLS - LUBRICANTS AND SEALANTS	35
SPECIAL TOOLS - POWER HEAD	32
SPECIAL TOOLS - REPAIR DECALS - ENGINE COVERS	36
SPECIAL TOOLS - STARTER	31
SPECIAL TOOLS - TEST EQUIPMENT	34
SPECIAL TOOLS - TUNE-UP	30
STARTER	10
STEERING ARM	8

NOTE: Indented description indicate that these parts are included in preceeding assembly.

AR = As Required

NSS = Not Sold Separate

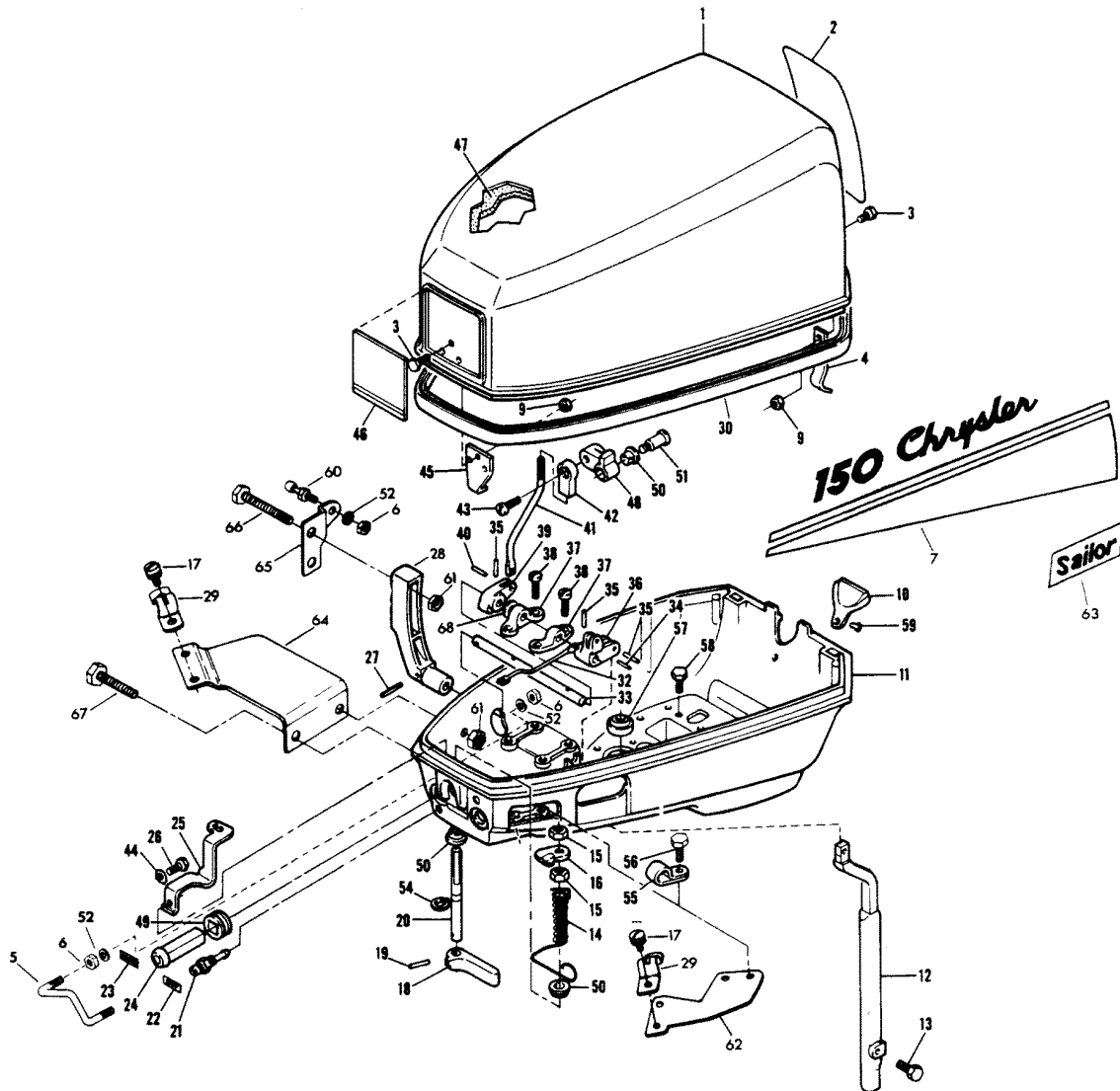
OPT = Optional

NS = Not Shown

THESE PARTS BOOKS/FICHE CARD ARE COPYRIGHTED AND MAY NOT BE DISTRIBUTED OR REPRODUCED IN ANY OTHER FORMAT BY ANYONE OTHER THAN MERCURY MARINE WITHOUT THE PRIOR WRITTEN CONSENT OF MERCURY MARINE.

THIS PAGE INTENTIONALLY LEFT BLANK

ENGINE COVER AND SUPPORT PLATE

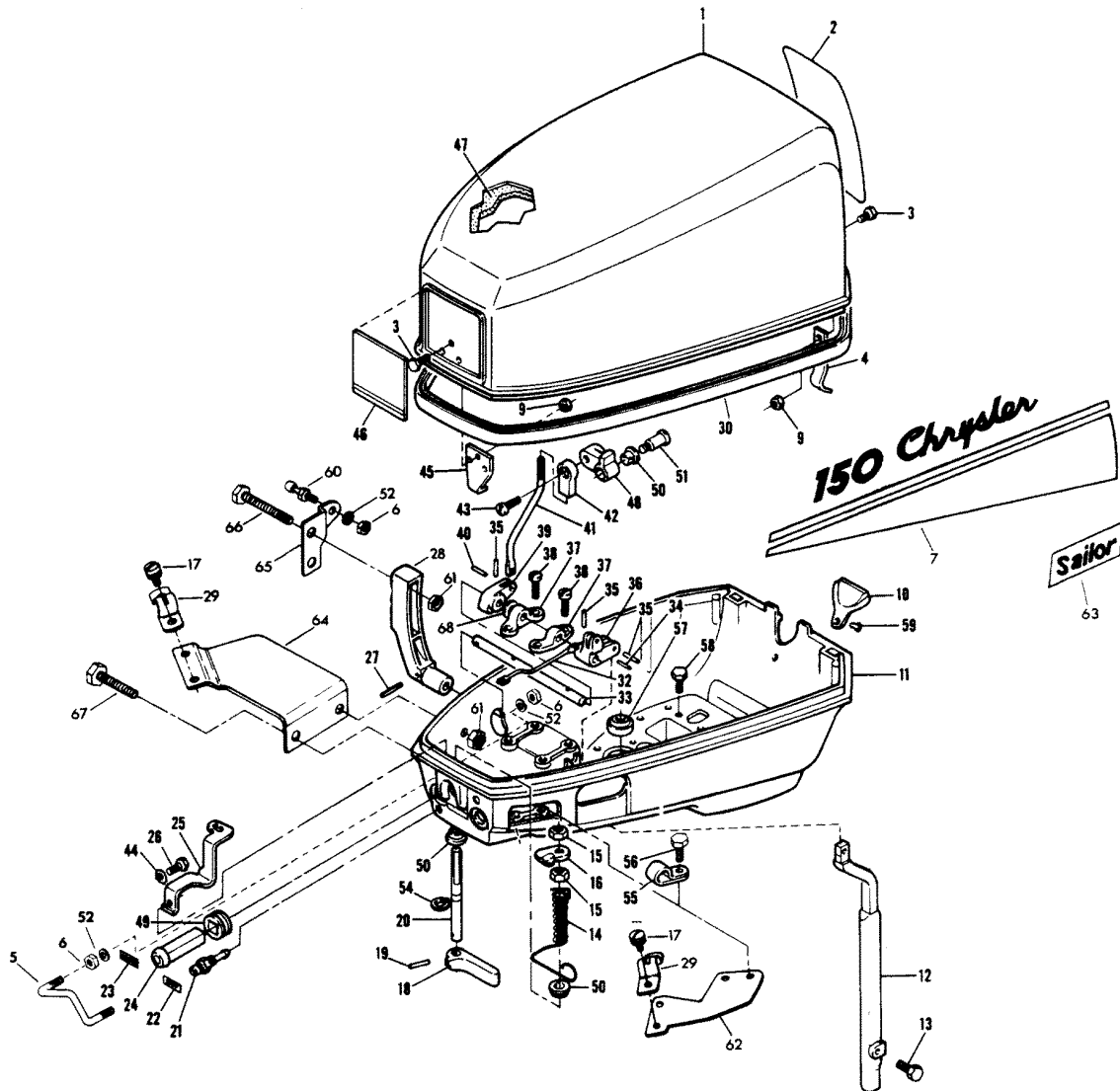


ENGINE COVER AND SUPPORT PLATE

REF. NO.	PART NO.	SYM.	QTY.	DESCRIPTION
1	FS537712		1	ENGINE COVER W/PACKING, REAR RETAINER AND LATCH BRACKET
-	4C565712		1	ENGINE COVER COMPLETE. INCLUDES ALL ITEMS MARKED WITH AN ASTERISK (*)
2	FA539528		1	DECAL ENGINE COVER, REAR
3	F1475		7	FILL HD SCREW, 10 - 24 X 1/2
4	FA525480		2	RETAINER ENGINE COVER W/NUTS & SCREWS
5	F487455		1	GUIDE STARTER ROPE
6	F1513		5	HEX NUT
7	FA565396		1	DECAL "CHRYSLER" - STARBOARD W/LITERATURE
-	FA565397		1	DECAL "CHRYSLER" - PORT W/LITERATURE
9	F7011		7	ELASTIC STOP NUT, 10 - 24
10	525156-1		1	COVER SUPPORT PLATE REAR
11	A487038		1	SUPPORT PLATE W/EYELET
12	F525615		1	ROD GEAR SHIFT UPPER
13	F1950		1	HEX HD SCREW, 10 - 24 X 5/8
14	F525912		1	SPRING LATCH SHAFT
15	F1518		2	NUT, 5/16 - 18
16	F392777		1	CAM COVER LATCH
17	F1556		4	SLOTTED HD M. SCREW, 10 - 24 X 3/8
-	F84991-1		1	GROMMET LIGHTING COIL WIRE (NOT SHOWN)
18	F525469		1	HANDLE LATCH
19	F8547		1	SPRING PIN, 1/8 X 5/8
20	F525763		1	SHAFT COVER LATCH
21	F197767-1		1	BUSHING FUEL LINE
22	F525390		1	DECAL STOP - USA
-	FC525380		1	DECAL STOP - CANADA
23	F525394		1	DECAL CHOKE - USA
-	FC525394		1	DECAL CHOKE - CANADA
24	F521547		1	CHOKE KNOB
25	F525925		1	LINK CHOKE KNOB
26	F2041		1	HEX HD SCREW, 10 - 24 X 3/8
27	F8567		1	SPRING PIN, 1/8 X 13/16
28	F525614		1	HANDLE GEAR SHIFT
29	F154317		1	CLAMP REMOTE CABLE
30	FK525713		1	ENGINE COVER PACKING W/LITERATURE
32	F525263		1	LINK STARTER INTERLOCK
33	F525871		1	SHAFT GEAR SHIFT LEVER
34	F8538		1	SPRING PIN, 3/32 X 1/2
35	F8547		3	SPRING PIN, 1/8 X 5/8
36	F525876		1	LEVER GEAR SHIFT
37	F318818		2	BEARING, SHIFT LEVER SHAFT
38	F1573		4	FILL HD SCREW, 1/4 - 20 X 1/2
39	F525977		1	LEVER SHIFT INTERLOCK

CONTINUED ON NEXT PAGE ➡

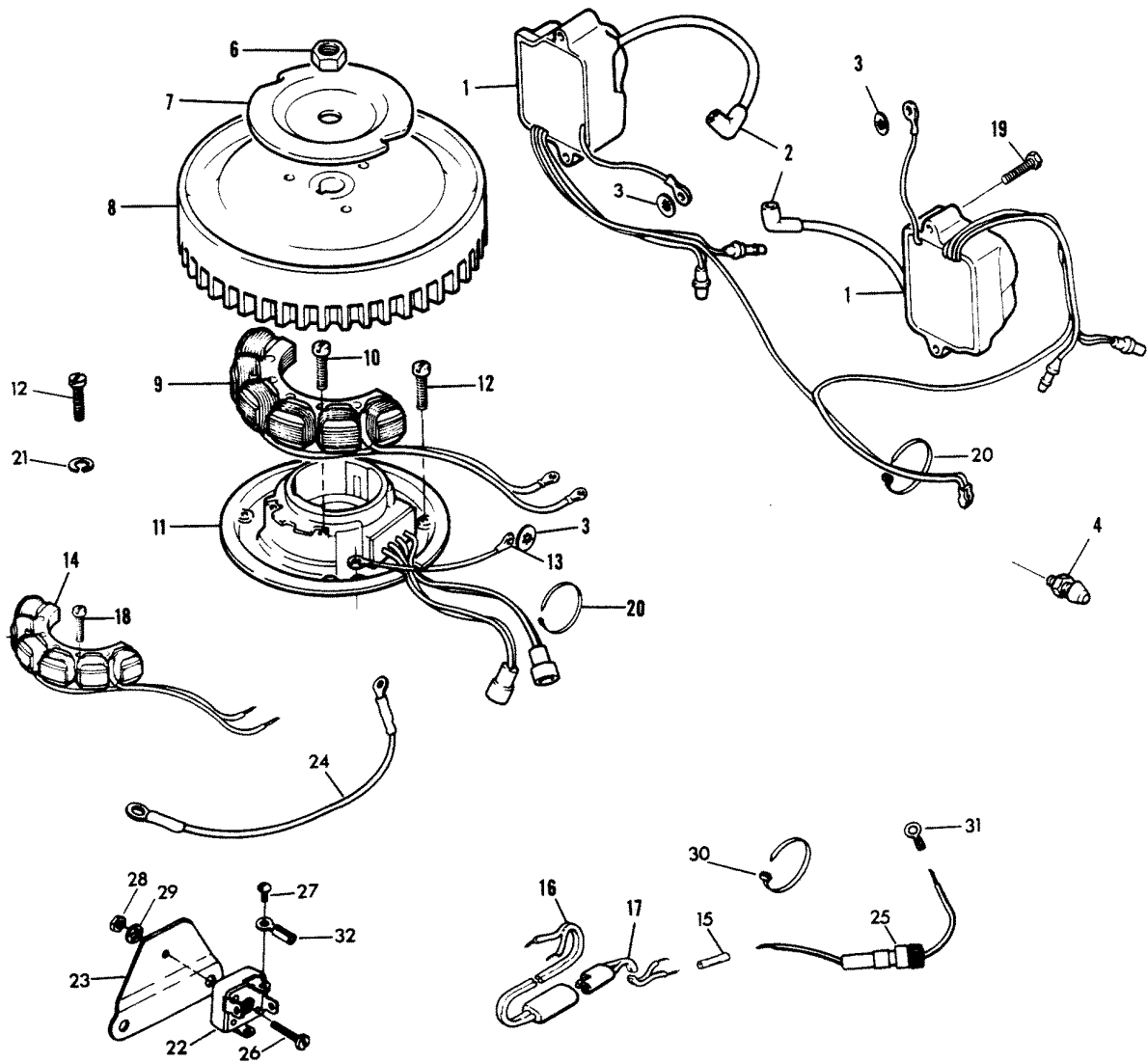
ENGINE COVER AND SUPPORT PLATE



ENGINE COVER AND SUPPORT PLATE

REF. NO.	PART NO.	SYM.	QTY.	DESCRIPTION
40	F1978		1	SPRING PIN, 1/8 X 1/2
41	F525531		1	ROD SHIFT INTERLOCK
42	F84035-2		1	BEARING INTERLOCK ROD
43	F84026		1	SCREW SHOULDER
44	F1975		1	LOCKWASHER, #10
45	FA525774		1	BRACKET COVER LATCH W/SCREWS & NUTS
46	FA539892		1	DECAL ENGINE COVER FRONT W/LITERATURE
47	FK516984		1	BLANKET TOP & SIDES
48	F516977		1	LEVER SHIFT INTERLOCK
49	F525504		1	GROMMET, CHOKE ROD
50	F307818		3	BEARING (NYLINER)
51	F85026		1	SCREW
52	F8058		5	INTERNAL TOOTH LOCKWASHER
54	F73741-1		1	RING
55	F178446		1	CLAMP LEAD WIRE
56	F1734		1	SLOTTED FILL HD SCREW, 1/4 - 20 X 1/2
57	F318307		1	SEAL, DRIVESHAFT
58	F1200		2	HEX HD SCREW, 1/4 - 20 X 1/2
59	F2026		1	RIVET, SUPPORT PLATE COVER
60	F98273		1	STUD, ROD END CONNECTOR
61	F7024		4	STOP NUT
62	F448371		1	BRACKET REMOTE THROTTLE
63	FA565392		2	DECAL SAILOR W/LITERATURE
64	F448612		1	BRACKET REMOTE SHIFT
65	F448872		1	BRACKET GEAR SHIFT HANDLE
66	F1999		2	HEX CAP SCREW, 1/4 - 20 X 7/8
67	F1854		2	HEX CAP SCREW, 1/4 - 20 X 5/8
68	F8049		1	WASHER BOWED SPRING

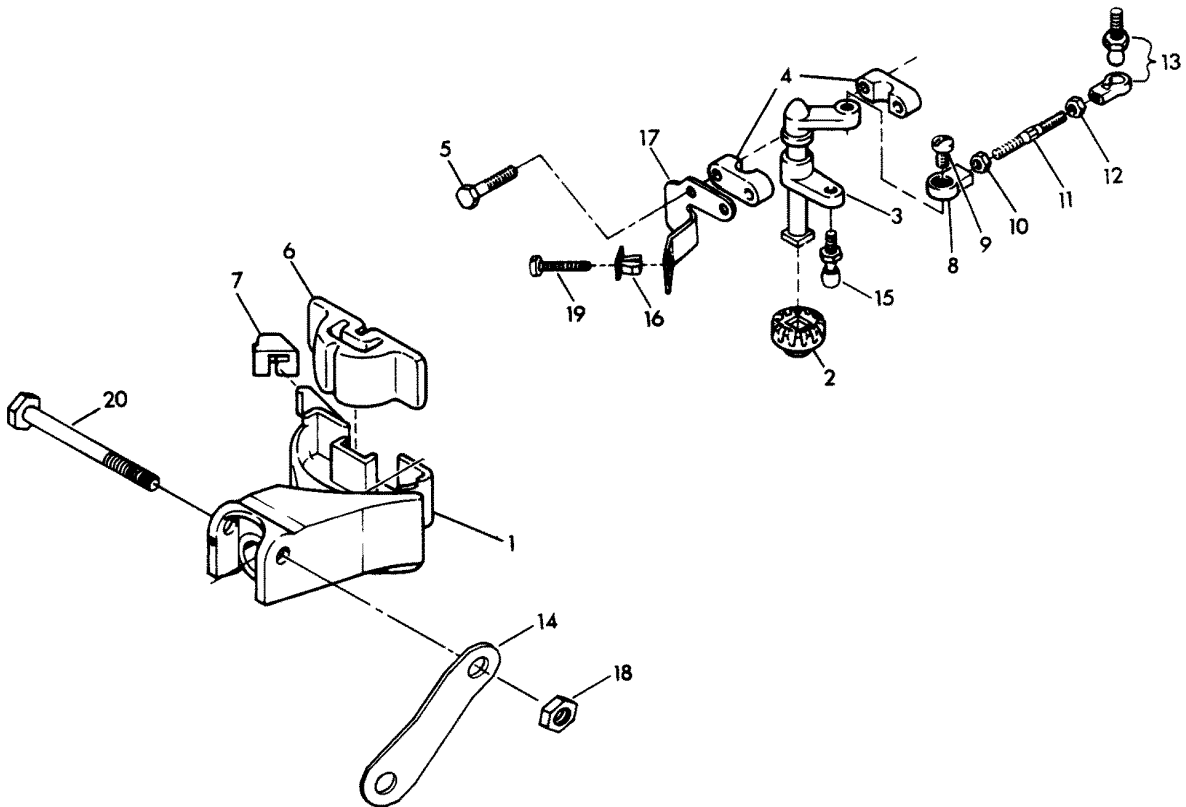
ELECTRICAL COMPONENTS



ELECTRICAL COMPONENTS

REF. NO.	PART NO.	SYM.	QTY.	DESCRIPTION
1	F525475		2	C-D MODULE COIL
2	FK750-3		2	SPARKIE KIT
3	F2106		3	LOCKWASHER
4	F436449		1	SHORTING SWITCH
6	F1809		1	FLYWHEEL NUT
7	F901456-1		1	COLLAR, EMERGENCY START
8	F525097		1	FLYWHEEL
9	F525301		1	STATOR - C-D
10	F1678		2	FILL HD SCREW, 10 - 24 X 13/16
11	F525029		1	STATOR - TRIGGER
12	F2010		4	FILL HD SCREW, 10 - 32 X 9/16
13	F404908		1	WIRE, STATOR GROUND
14	F525095		1	STATOR ALTERNATOR
15	F448874		1	SPLICE
16	F521843		1	CABLE LIGHTING COIL EXT.
17	FA521841		1	CABLE LIGHTING COIL W/SPLICES
18	F1678		2	SLOTTED FILL HD SCREW, 10 - 24 X 13/16
19	F525064		4	SCREW - C-D COIL
20	F1877		2	TY-RAP
21	F1975		1	SPRING LOCKWASHER
22	F510450-1		1	RECTIFIER
23	F525454		1	BRACKET RECTIFIER
24	F521683		1	WIRE GROUND
25	F521460		1	FUSE HOLDER
26	F1552		1	PAN HD M. SCREW, 8 - 32 X 1/2
27	F1645		4	SLOTTED RD HD TAP SCREW, 6 - 32 X 1/4
28	F1647		1	HEX M. SCREW NUT, 8 - 32
29	F8078		1	INTERNAL TOOTH LOCKWASHER
30	F1845		1	TY-RAP
31	F517673		2	TERMINAL RING
32	F299673		4	TERMINAL RING

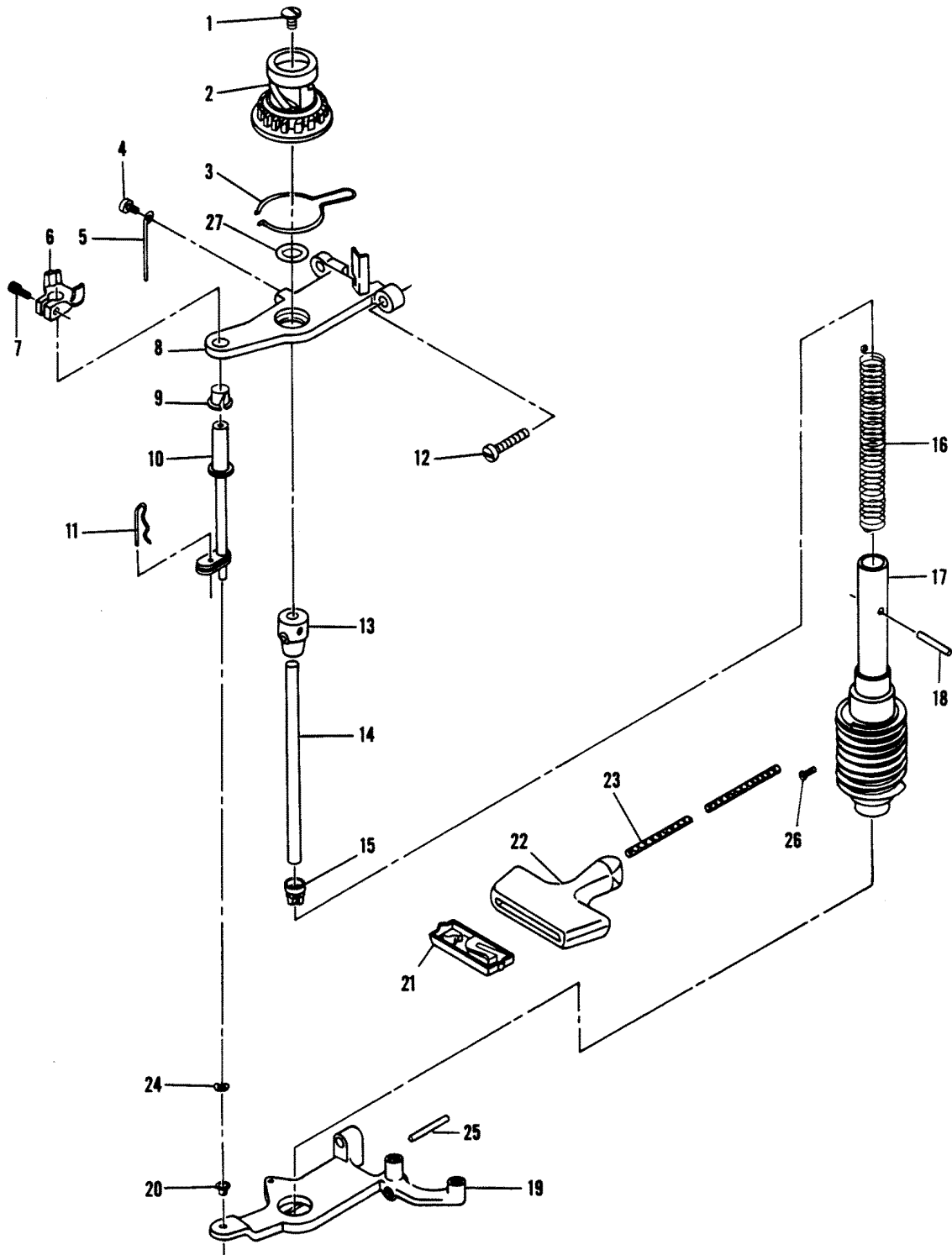
STEERING ARM



STEERING ARM

REF. NO.	PART NO.	SYM.	QTY.	DESCRIPTION
1	F525582-1		1	STEERING ARM
2	F525605		1	GEAR, TOWERSHAFT
3	F525838		1	TOWERSHAFT
4	F525689		2	TOWERSHAFT BEARING
5	F1699		2	HEX HD SCREW, 1/4 - 20 X 1/8
6	F318347-1		1	UPPER MOUNT
7	F318539		1	BUMPER
8	F84036		1	BEARING, SPARK CONTROL
9	F84026		1	SHOULDER SCREW
10	F7027		1	NUT (LEFT HAND) 10 - 24
11	F525445		1	LINK, MAGNETO STATOR CONTROL
12	F1513		1	NUT, 10 - 32
13	817747--1		1	JOINT, BALL ASSEMBLY
14	F487078		1	STEERING LOCK BRACKET
15	F98273		1	STUD ROD END CONNECTOR
16	F525991		1	GROMMET
17	F526198		1	STOP REMOTE IDLE
18	F516697		1	NUT STEERING, LOCK BRACKET ARM
19	F1995		1	SLOTTED HD M. SCREW, 10 - 24 X 1
20	F1507		1	HEX CAP SCREW, 3/8 - 16 X 2 1/2

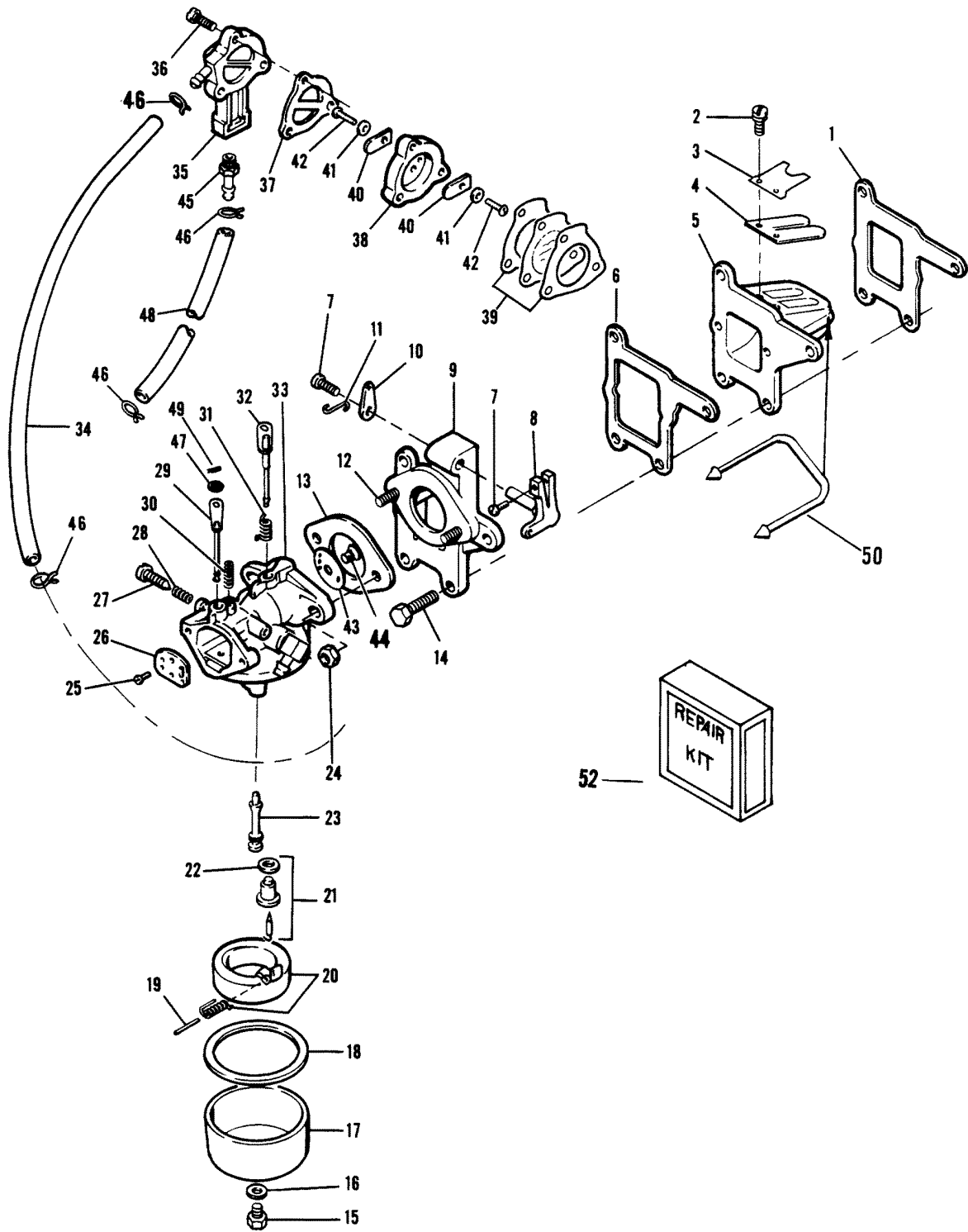
STARTER



STARTER

REF. NO.	PART NO.	SYM.	QTY.	DESCRIPTION
1	F525457		1	SCREW
2	F525674-1		1	GEAR STARTER PINION
3	F525424		1	SPRING STARTER PINION
4	F1760		1	PAN HD SCREW, 10 - 24 X 3/8
5	F525455		1	GUIDE STARTER ROPE
6	F525781		1	INTERLOCK STARTER
7	F2031		1	HEX HD SCREW, 1/4 - 20 X 3/4
8	F525427-1		1	BRACKET STARTER UPPER
9	F269689		1	BEARING STARTER BRACKET UPPER
10	F525105		1	SHAFT INTERLOCK
11	F525629		1	COTTER PIN
12	F1052		4	FILL HD SCREW, 1/4 - 20 X 1
13	F901739		1	DRIVE STARTER REWIND SPRING
14	F901710		1	POST STARTER SPRING GUIDE
15	F525737		1	RETAINER STARTER REWIND SPRING
16	F901970		1	SPRING STARTER REWIND
17	817856A1		1	SPOOL STARTER W/SCREW
18	F40425		1	PIN STARTER PINION
19	F525675		1	BRACKET STARTER LOWER
20	F197813		1	BEARING STARTER BRACKET LOWER
21	817938A1		1	RETAINER STARTER ROPE HANDLE W/LITERATURE ORIGINAL FORCE P/N K286817-1
22	F286132		1	HANDLE STARTER ROPE
23	F409232		1	ROPE STARTER
24	F8070		1	BOWED SPRING WASHER
25	F8571		1	SPRING PIN, 1/8 X 1 3/4
26	F1500		1	RD HD SHEET METAL SCREW #4 X 1/4
27	F53795-1		1	SEAL

FUEL SYSTEM

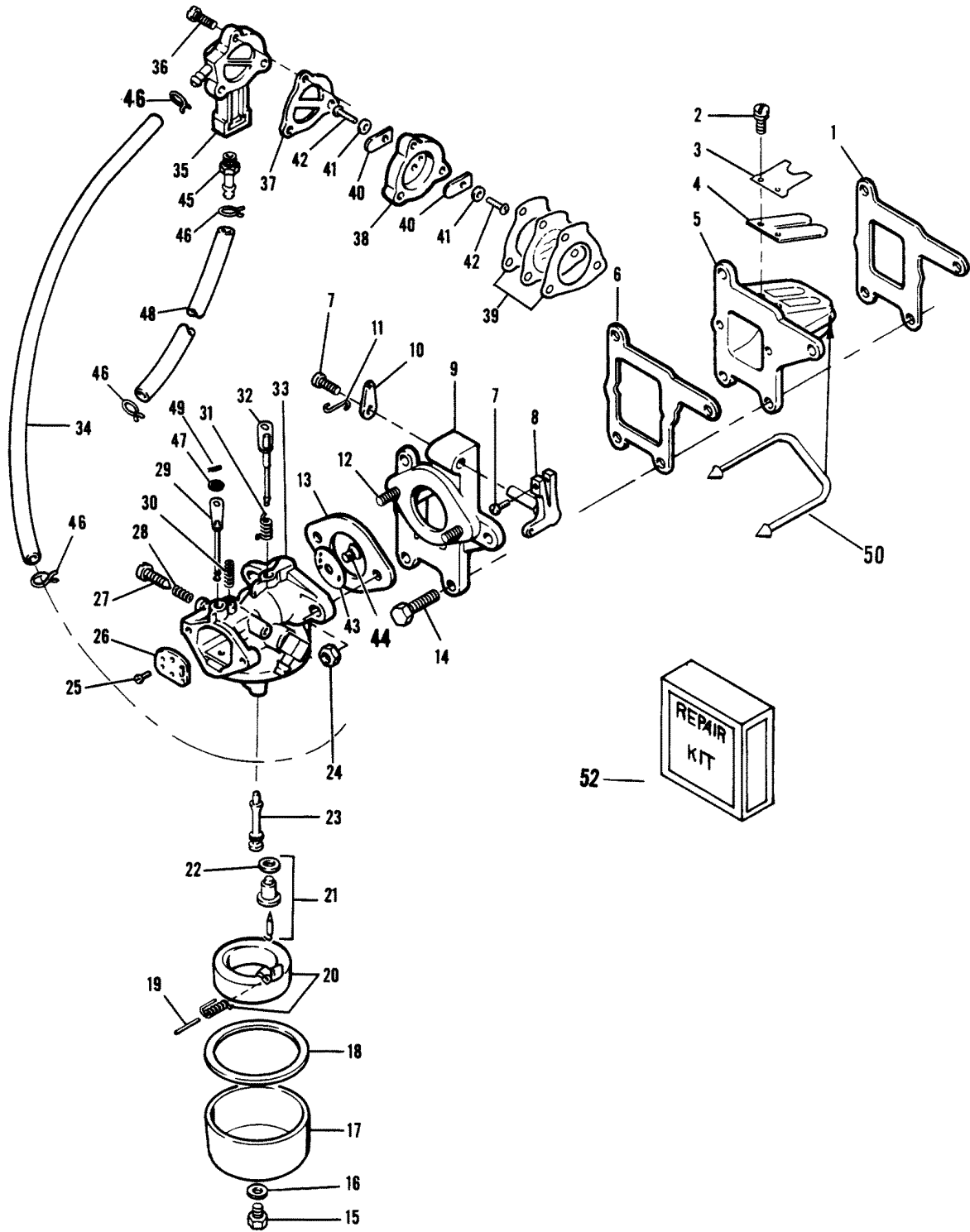


FUEL SYSTEM

REF. NO.	PART NO.	SYM.	QTY.	DESCRIPTION
1	F525159		1	GASKET, REED PLATE
2	F1755		4	RD HD SCREW & SPRING LOCKWASHER ASSEMBLY, 6 - 32 X 5/16
3	F525161		2	REED STOP
4	F31160-1		2	REED
5	F2A525158		1	PLATE REED W/SEAL
6	F525168		1	GASKET MANIFOLD
7	F1772		2	HEX HD SCREW, 8 - 32 X 1/2
8	F525316-1		1	FOLLOWER THROTTLE CAM
9	FA525167		1	MANIFOLD W/STUDS
10	F525081-1		1	LEVER THROTTLE
11	F525193		1	LINK THROTTLE
12	F2788004		2	STUD CARBURETOR
13	F18906		1	GASKET CARBURETOR
14	F1953		4	HEX HD SCREW, 1/4 - 20 X 1
15	F10096		1	JET ASSEMBLY, STD. .039 SEA LEVEL - 3000 FT.
-	F10093		-	JET ASSEMBLY, OPT. .038 3000 - 5000 FT.
-	F10086		-	JET ASSEMBLY, OPT. .037 5000 - 7000 FT.
-	F10094		-	JET ASSEMBLY, OPT. .036 7000 FT. & UP
16	F10090		1	GASKET FUEL BOWL RETAINER
17	F10058		1	FUEL BOWL
18	F10068		1	GASKET BODY TO BOWL
19	F10064		1	SHAFT - FLOAT
20	F10063		1	FLOAT
21	F10101		1	KIT - VALVE, SEAT, SPRING & GASKET
22	F10066		1	GASKET VALVE SEAT
23	F10104		1	NOZZLE
24	F1490		2	NUT, 1/4 - 20
25	F10070		2	SCREW ASSEMBLY - CHOKE VALVE
26	F10062		1	CHOKE VALVE ASSEMBLY
27	F10077		1	NEEDLE - IDLE
28	F10073		1	SPRING IDLE NEEDLE
29	F10061		1	CHOKE SHAFT ASSEMBLY
30	F10072		1	SPRING CHOKE STOP
31	F10085		1	SPRING THROTTLE RETURN
32	F10081		1	SHAFT ASSEMBLY - THROTTLE
33	817963A4		1	CARBURETOR
34	F84253		1	HOSE
35	F901746-2		1	COVER FUEL PUMP
36	F1069		3	FILL HD SCREW, 10 - 24 X 1/16
37	F24748-2		1	GASKET FUEL PUMP
38	F2A24757		1	PLATE FUEL PUMP REED W/REEDS & SCREWS
39	27-818043A1		1	DIAPHRAGM, FUEL PUMP W/GASKETS

CONTINUED ON NEXT PAGE ➡

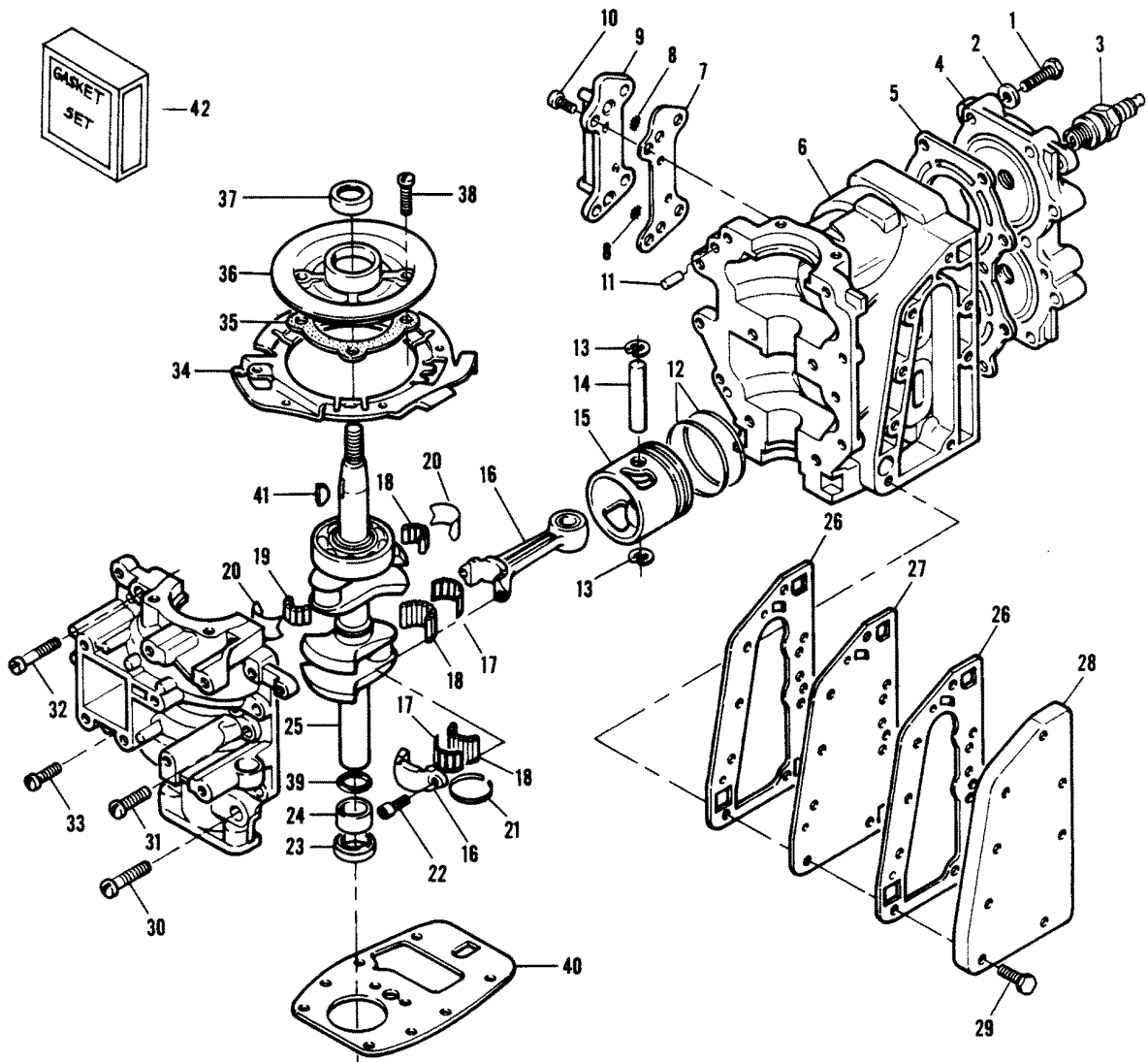
FUEL SYSTEM



FUEL SYSTEM

REF. NO.	PART NO.	SYM.	QTY.	DESCRIPTION
40	F18160-2		2	REED FUEL PUMP
41	F8003		2	PLAIN WASHER
42	F1286		2	PAN HD SCREW, #4 - 40 X 3/16
43	F10091		1	VALVE THROTTLE
44	F10071		1	SCREW, THROTTLE VALVE
45	F901811		1	FILTER FUEL PUMP
46	F2706772		4	CLAMP HOSE
47	F2042		1	WASHER
48	F84253		1	HOSE
49	F90807		1	RETAINING RING
50	F525984		1	SEAL, REED PLATE
51	F10084		1	FLOAT SUPPORT SPRING
52	F10087		1	REPAIR KIT. INCLUDES ALL ITEMS MARKED WITH DOUBLE ASTERISK (**)
-	F10069		1	GASKET KIT. INCLUDES ALL ITEMS MARKED WITH AN ASTERISK (*)

POWER HEAD

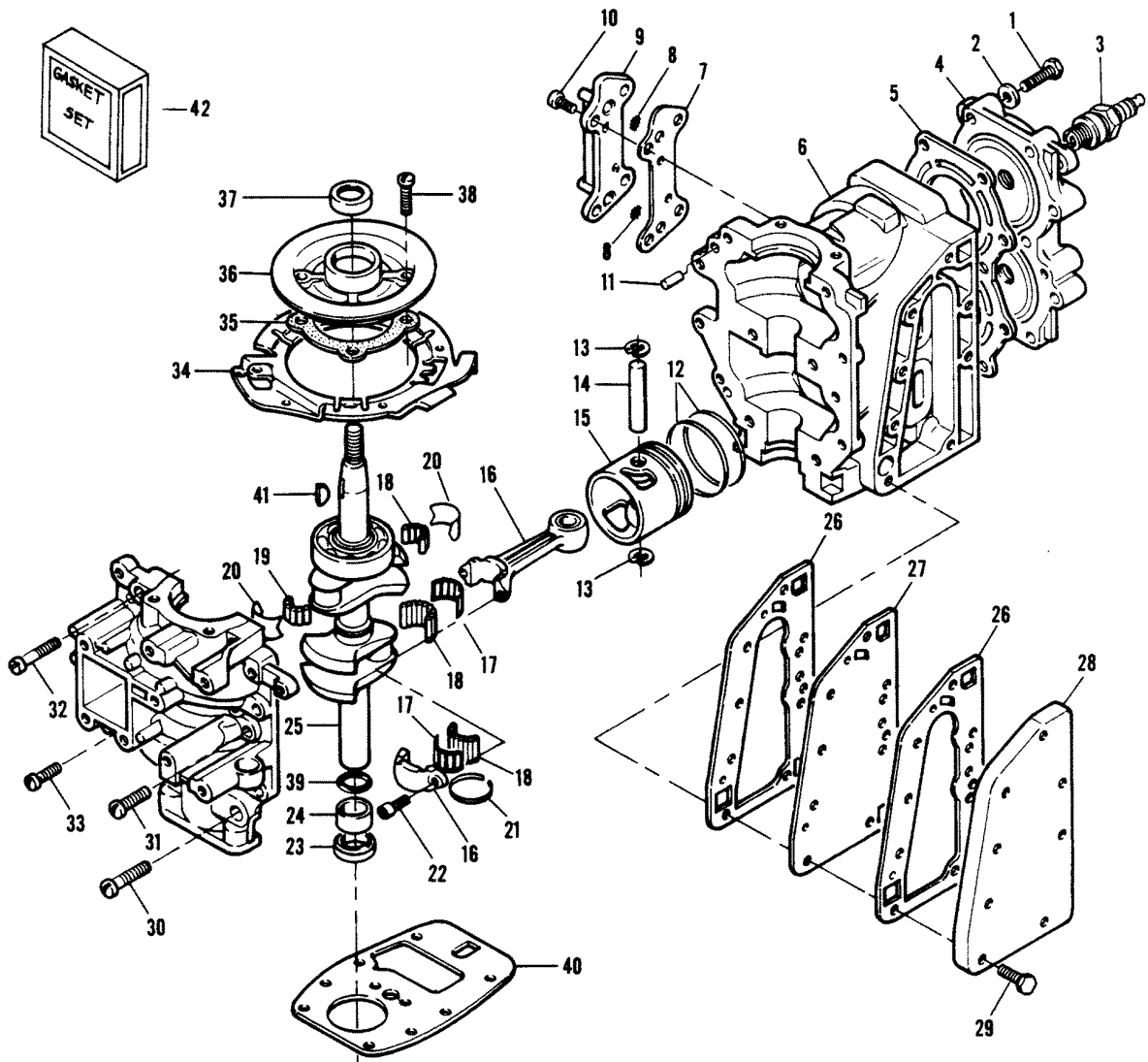


POWER HEAD

REF. NO.	PART NO.	SYM.	QTY.	DESCRIPTION
1	F901938-1		10	SCREW, CYLINDER HEAD
2	F8025		10	PLAIN WASHER
3	33-82370M		2	SPARK PLUG (L-86)
4	F525518		1	CYLINDER HEAD
5	F525529		1	GASKET, CYLINDER HEAD
6	F2A525010		1	CYLINDER
-	FC525010		1	CYLINDER COMPLETE. (NOT SHOWN). INCLUDES ALL ITEMS MARKED WITH AN ASTERISK (*)
7	F525472		1	GASKET, CYLINDER DRAIN COVER
8	F429811		2	SCREEN, CYLINDER DRAIN
9	FA525471		1	COVER, CYLINDER DRAIN W/SCREEN
10	F1110		4	SCREW, 1/4 - 20 X 5/8
11	F8559		2	DOWEL PIN
12	39-818038A1		2	PISTON RING (2 RINGS)
13	F250410		4	PISTON PIN RETAINING RING
14	F250017		2	PISTON PIN
15	F525015		2	PISTON
16	F2A521016		2	CONNECTING ROD W/ITEM 22
17	FA525241		2	CRANKPIN ROLLER CAGE
18	FA525228		2	ROLLER CRANKPIN (16 ROLLERS)
19	F286571		1	ROLLER ASSEMBLY, CENTER MAIN BEARING
20	FA286155		1	LINER, CENTER MAIN W/LITERATURE
21	F525579		1	CRANKCASE SEAL
22	F36634		4	CONNECTING ROD SCREW
23	F141118		1	SEAL, CRANKSHAFT LOWER
24	F343014		1	BEARING, CRANKSHAFT LOWER MAIN
25	F2A525018		1	CRANKSHAFT W/UPPER BEARING
26	F525154		2	GASKET EXHAUST
27	F525151		1	PLATE EXHAUST
28	F525152		1	COVER EXHAUST
29	F1953		8	SCREW, 1/4 - 20 X 1
30	F1257		2	SCREW, 5/16 - 18 X 1/4
31	F1994		2	SCREW, 5/16 - 18 X 1
32	F1044		2	SCREW, 1/4 - 20 X 1 3/8
33	F1107		6	SCREW, 1/4 - 20 X 3/4
34	F525082		1	RING STATOR
35	F286277		1	GASKET, CRANKSHAFT BEARING CAGE
36	1100-817753A1		1	CAGE, CRANKSHAFT BEARING W/UPPER CRANKSHAFT SEAL
37	F346146		1	SEAL, CRANKSHAFT UPPER
38	F1111		4	FILL HD SCREW, 1/4 - 20 X 7/8
39	F468342		1	SEAL, CRANKSHAFT SPLINE
40	F525279		1	GASKET, CYLINDER MOUNTING
41	F458498		1	MAGNETO KEY

CONTINUED ON NEXT PAGE ➡

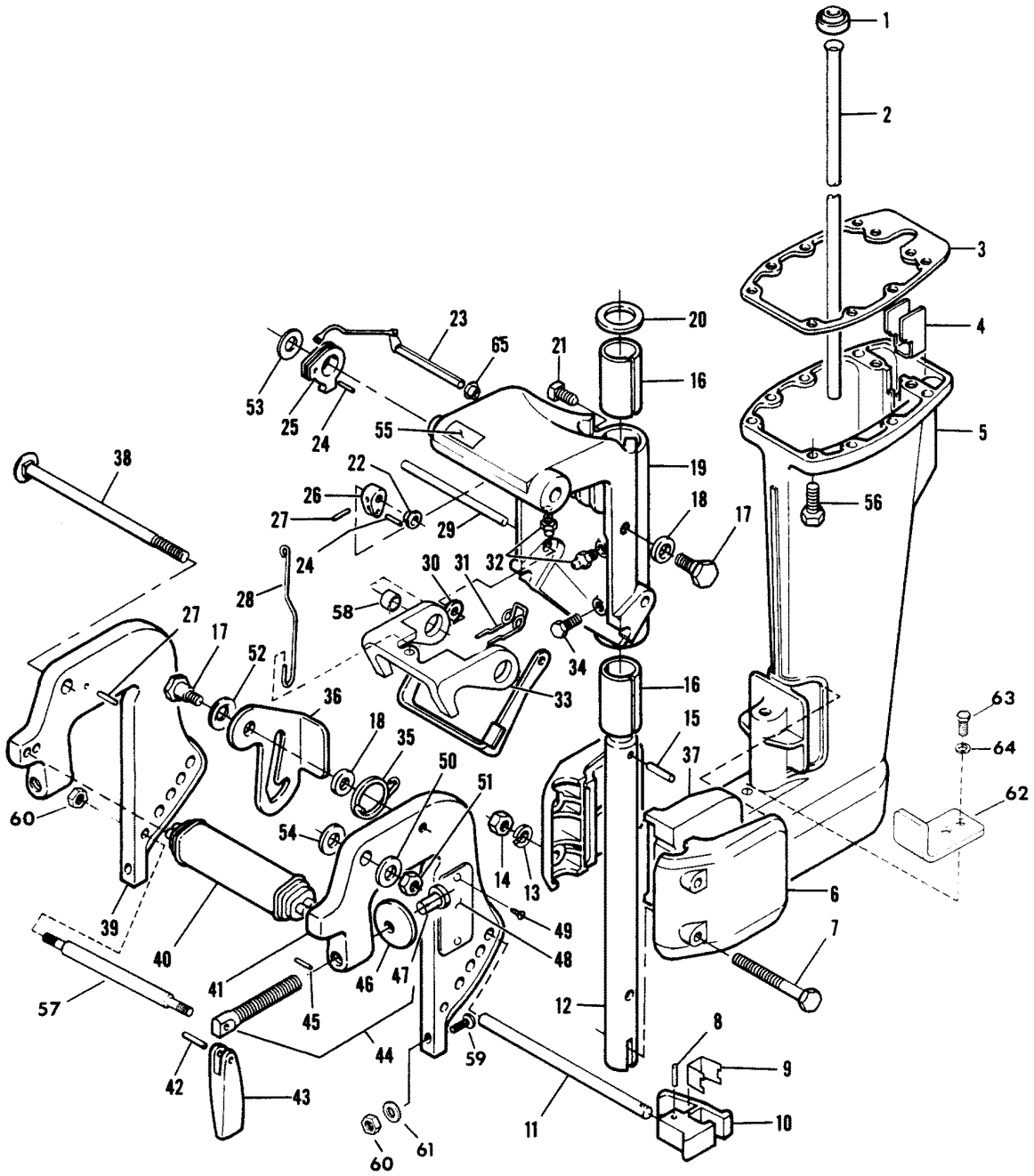
POWER HEAD



POWER HEAD

REF. NO.	PART NO.	SYM.	QTY.	DESCRIPTION
42	FG1018		1	GASKET SET. INCLUDES ITEMS LISTED BELOW
-	F18906		1	GASKET, CARBURETOR
-	F286277		1	GASKET, CRANKSHAFT BEARING CAGE
-	F525154		2	GASKET, EXHAUST
-	F525159		1	GASKET, REED PLATE
-	F525168		1	GASKET, MANIFOLD
-	F525279		1	GASKET, CYLINDER MOUNTING
-	F525453		1	GASKET, LEG MOUNTING
-	F525529		1	GASKET, CYLINDER HEAD
-	F525472		1	GASKET, CYLINDER DRAIN COVER
43	F286028-1		1	BEARING, CRANKSHAFT UPPER MAIN

MOTOR LEG

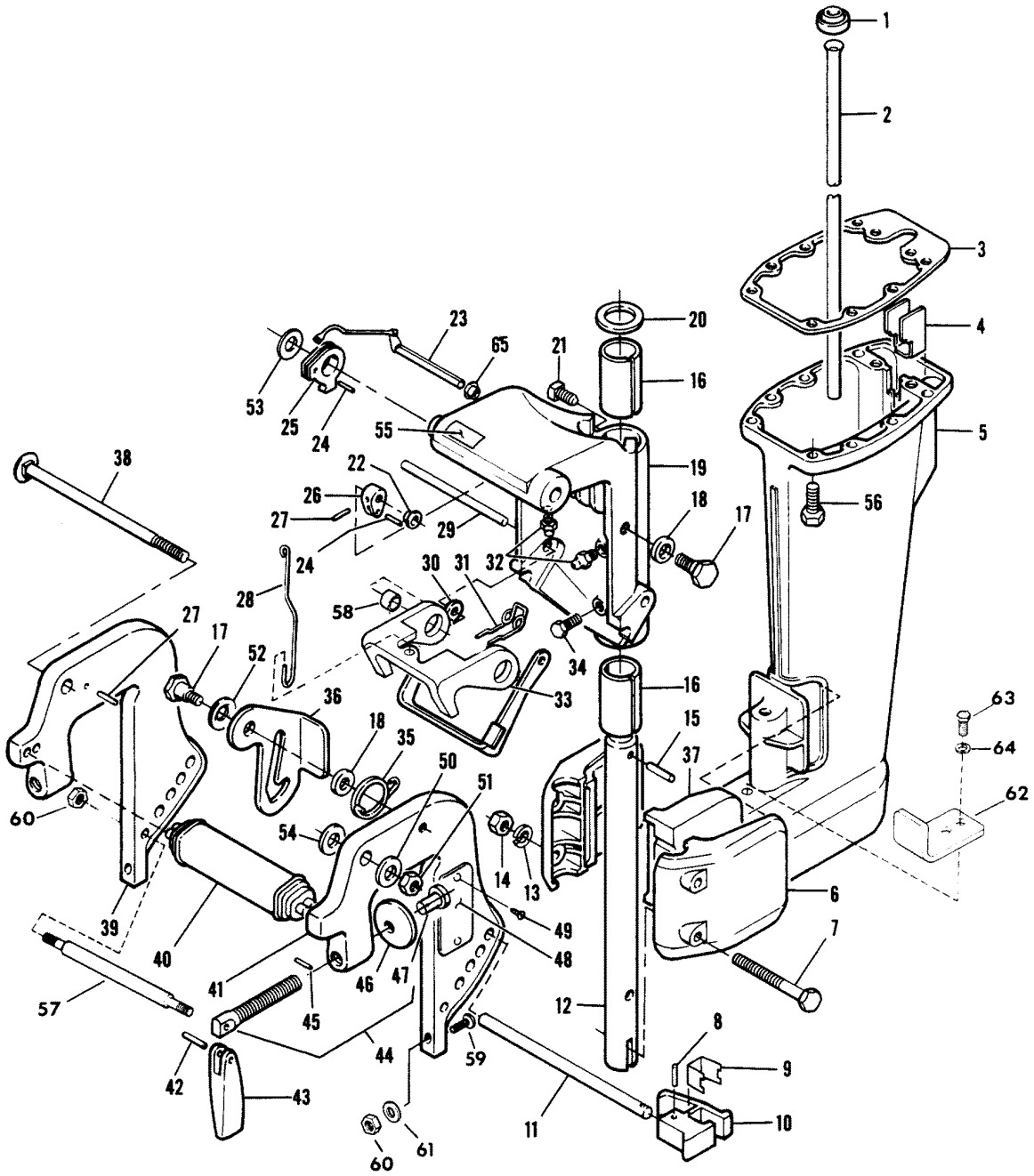


MOTOR LEG

REF. NO.	PART NO.	SYM.	QTY.	DESCRIPTION
1	F318342		1	SEAL, WATERLINE INLET UPPER
2	F516244		1	WATERLINE (STD. LEG)
3	F525453		1	GASKET LEG MOUNTING
4	F525779		1	BAFFLE IDLE RELIEF
5	F525133		1	MOTOR LEG
6	F525707		2	COVER, SHOCK MOUNT LOWER
7	F1972		2	HEX HD SCREW, 1/4 - 20 X 2 1/2
8	F8540		1	SPRING PIN, 3/32 X 5/8
9	F286461		1	SPRING LOCK BAR HANDLE
10	F286114		1	HANDLE LOCK BAR
11	FA286113		1	BAR LOCK W/ILLUSTRATIONS 8, 9, 10
12	F525019		1	KINGPIN
13	F8083		2	LOCKWASHER
14	F1341		2	NUT, 1/4 - 20
15	F1805		1	SPRING PIN, 1/4 X 3/8
16	F286169		2	BEARING SWIVEL BRACKET
17	F286422-1		2	PIVOT TILT LOCK
18	F286451		2	SPACER TILT LOCK
19	1400-817964A2		1	SWIVEL BRACKET W/ILLUSTRATIONS 16, 32 ORIGINAL FORCE P/N K 525072-1
20	F286011		1	WASHER SWIVEL BRACKET
21	F525839		1	SCREW, STEERING FRICTION
22	F197813		1	BEARING
23	FA387742		1	LEVER REVERSE LOCK INTERMEDIATE
24	F1794		2	SPRING PIN, 3/32 X 3/8
25	F286827		1	LEVER REVERSE LOCK RELEASE
26	F286364		1	LEVER REVERSE LOCK
27	F8538		2	SPRING PIN, 3/32 X 1/2
28	F341510		1	LINK REVERSE LOCK LEVER
29	F1806		1	GROOVE PIN, 5/16 - 3/4
30	F286433		1	BRACKET SHALLOW WATER DRIVE
31	F286300		1	SPRING REVERSE LOCK
32	F213274		2	FITTING GREASE
33	F286349		1	LOCK REVERSE
34	F1467		1	SCREW SWIVEL BRACKET
35	F286544-1		1	SPRING TILT LOCK
36	F429541		1	LOCK TILT
37	F525346		2	MOUNT LOWER SHOCK
38	F286037		1	BOLT STERN BRACKET
39	FK517032		1	BRACKET STERN STARBOARD W/SCREW CLAMP
40	F286647		1	HANDLE CARRYING
41	FK567532		1	BRACKET STERN PORT W/SCREW CLAMP
42	F8554		2	SPRING PIN, 3/16 X 3/4

CONTINUED ON NEXT PAGE ➡

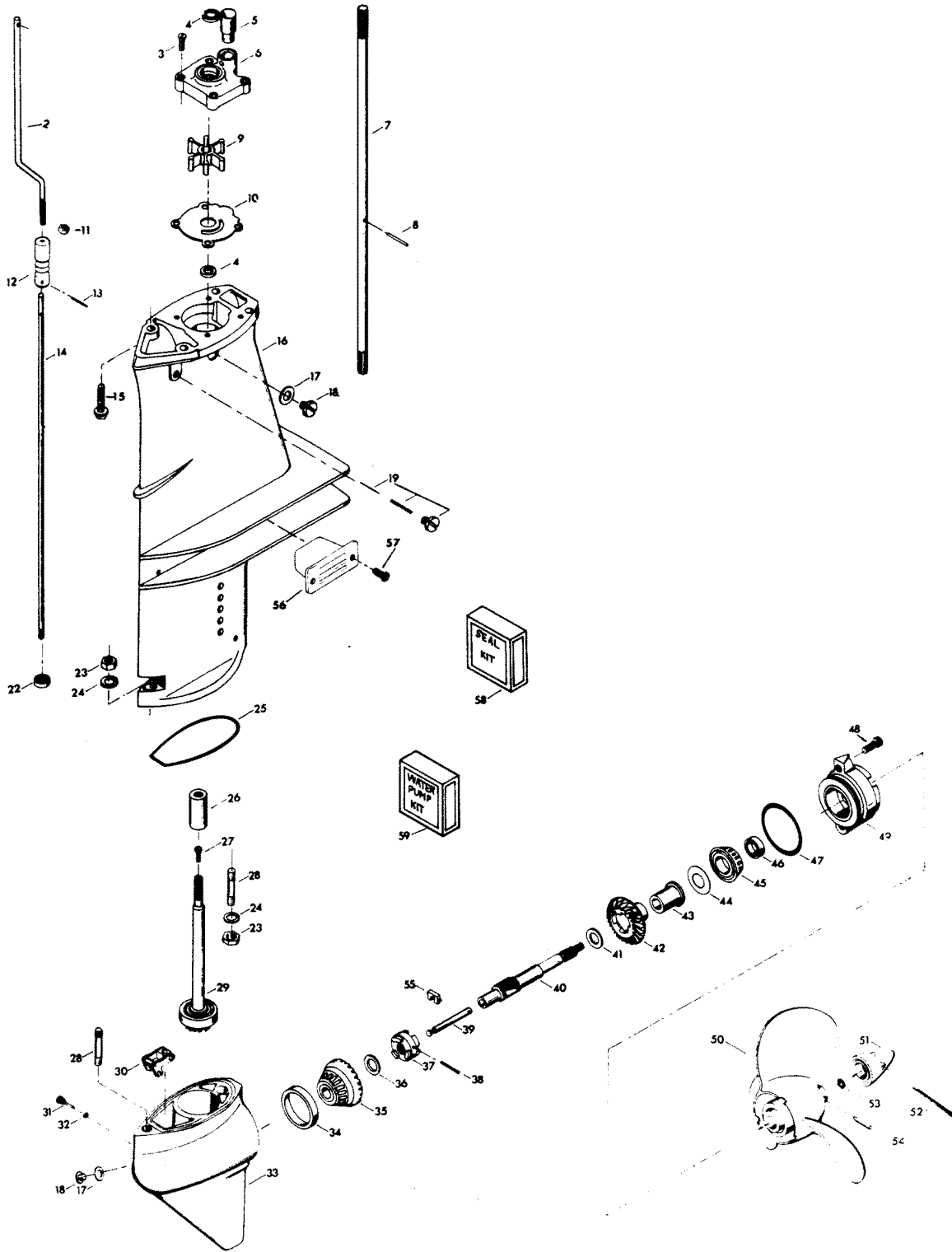
MOTOR LEG



MOTOR LEG

REF. NO.	PART NO.	SYM.	QTY.	DESCRIPTION
43	F424075		2	HANDLE CLAMP SCREW
44	817761A2		2	SCREW CLAMP W/45, 46, 47 ORIGINAL FORCE P/N A 298073-2
45	F8537		2	SPRING PIN
46	F24074		2	FOOT CLAMP SCREW
47	F66480		2	STUD CLAMP SCREW
48	FA538395		1	IDENTIFICATION PLATE W/SCREWS
49	F1447		2	RD HD DRIVE SCREW, #2 X 3/16
51	F516697		1	NUT STEERING LOCK BRACKET
52	F1666		1	WAVE WASHER
53	F525286		1	WASHER
54	F286286-1		1	WASHER
55	F286585-1		1	DECAL, TILT RELEASE - USA
56	F1833		8	HEX CAP SCREW, 1/4 - 20 X 1
57	F517273		1	TIE BAR
58	F516677		2	SPACER REVERSE LOCK
59	F1887		2	HEX SLOTTED HD SCREW, 1/4 - 20 X 3/16
60	F7024		4	LOCK NUT
61	F2012		2	PLAIN WASHER
62	F516463		1	BRACKET, REVERSE THRUST
63	F1464		2	HEX HD M. SCREW, 1/4 - 28 X 3/8
64	F2106		2	INTERNAL TOOTH LOCKWASHER
65	F536813		1	BEARING

GEAR HOUSING

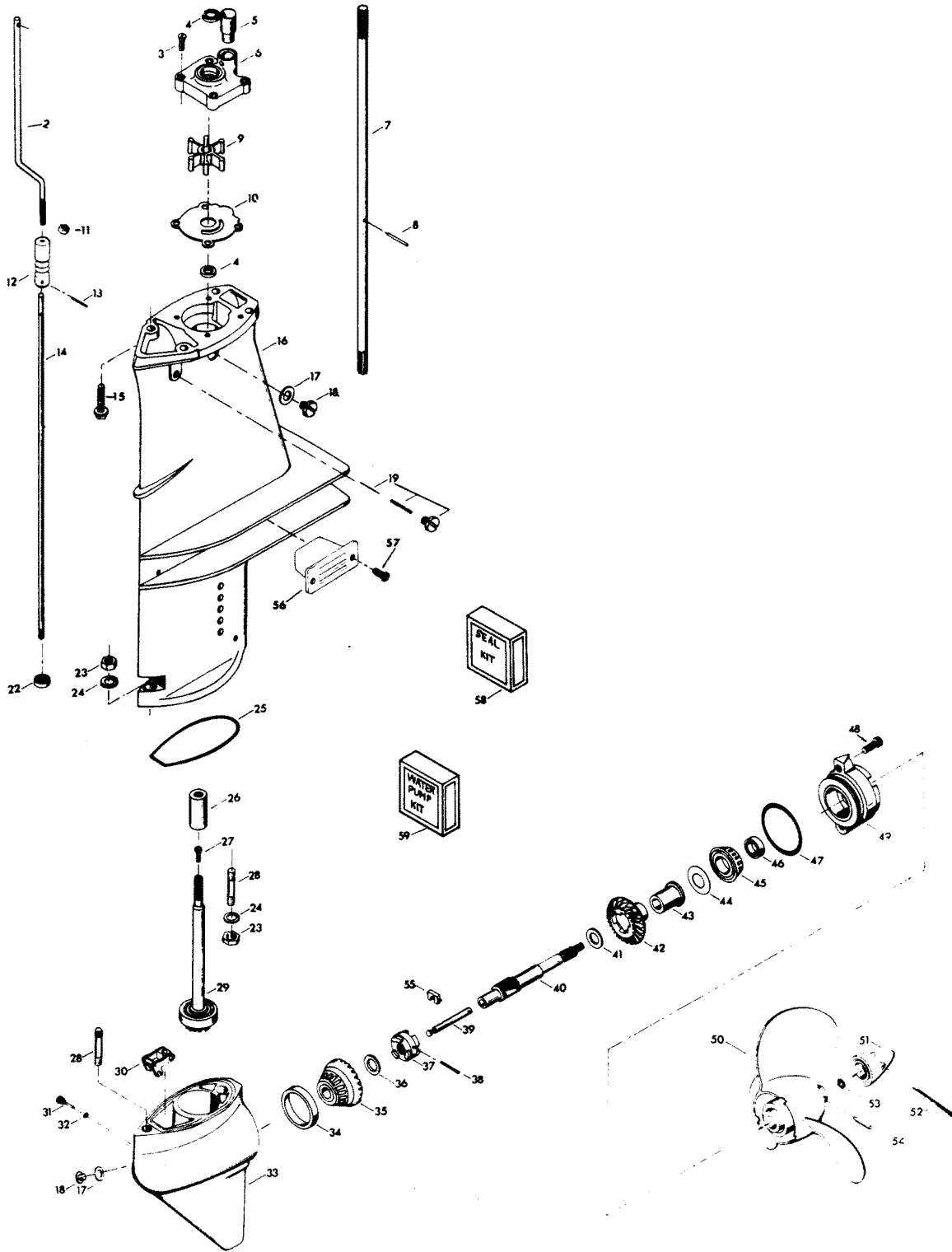


GEAR HOUSING

REF. NO.	PART NO.	SYM.	QTY.	DESCRIPTION
2	F487616		1	GEAR SHIFT ROD INTERMEDIATE
3	F2030		4	HEX HD SCREW, 1/4 - 20 X 1/4
4	F318307		2	SEAL
5	FA510914		1	SEAL, INLET WATER LINE W/LITERATURE
6	FA516060		1	WATER PUMP BODY W/WATER PUMP SEAL
7	F487128		1	DRIVESHAFT (STANDARD LEG)
-	F517128		1	DRIVESHAFT (LONG LEG)
8	F50563		1	WATER PUMP IMPELLER DRIVE PIN
9	F429065		1	WATER PUMP IMPELLER
10	F341562		1	WATER PUMP BACK PLATE
11	F1341		1	HEX NUT
12	F487704		1	COUPLING, SHIFT ROD
13	F8540		1	SPRING PIN
14	F487705		1	GEAR SHIFT ROD LOWER (STANDARD LEG)
-	F516705		1	GEAR SHIFT ROD LOWER (LONG LEG)
15	F430732		4	HEX HD SCREW, 5/16 - 18 X 1/4
16	FA516554		1	GEAR HOUSING UPPER W/BEARING, SEALS, WASHER AND PLUG
-	1600-817817A3		1	GEAR HOUSING UPPER W/BEARING, SEALS, WASHER AND PLUG (LONG LEG) ORIGINAL FORCE P/N A 471554-3
17	F8077		2	NYLTITE WASHER
18	F50109		2	GEAR HOUSING PLUG
19	F487584		1	GUIDE, SPRING DETENT
20	F516895		1	SPRING, SHIFT DETENT
21	F516885		1	PLUG, SPRING HOLDING
22	F338618-1		1	SEAL, SHIFT ROD LOWER
23	F1346		2	HEX NUT, S.S., 3/8 - 16
24	F8065		2	LOCKWASHER
25	F435555		1	SEAL, GEAR HOUSING LOWER
26	F516125		1	COUPLING, DRIVESHAFT
27	F1035		1	FILL HD SCREW, 1/4 - 20 X 5/8
28	F40008		2	STUD
29	F2A516266		1	PINION SHAFT W/BEARING
30	817796A2		1	GEAR SHIFT ARM ASSEMBLY
31	F498891		1	GEAR SHIFT ARM PIN
32	F498618		1	SEAL, "O" RING
33	FA516054		1	GEAR HOUSING LOWER W/PLUG, WASHER AND BEARING CUP
-	FC516054		-	GEAR HOUSING COMPLETE (NOT SHOWN). INCLUDES ALL ITEMS MARKED WITH AN ASTERISK (*)
34	F458250		1	BEARING CUP
35	F2A516023		1	BEVEL GEAR FORWARD W/BEARING
36	F2055		A/R	SPACER, BEVEL GEAR FRONT .059
-	F2056		A/R	SPACER, BEVEL GEAR FRONT .062

CONTINUED ON NEXT PAGE ➡

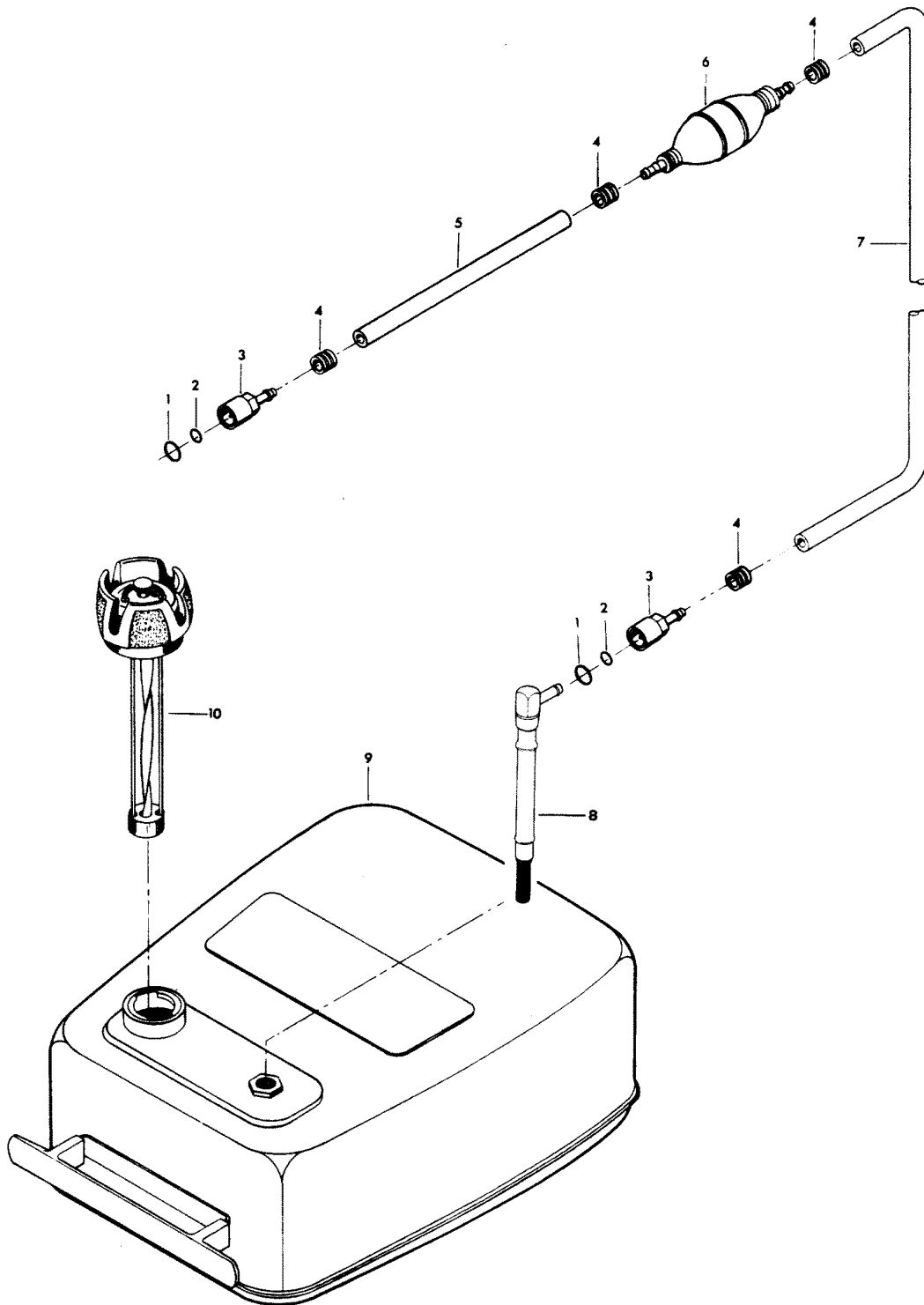
GEAR HOUSING



GEAR HOUSING

REF. NO.	PART NO.	SYM.	QTY.	DESCRIPTION
-	F2057		A/R	SPACER, BEVEL GEAR FRONT .065
-	F2058		A/R	SPACER, BEVEL GEAR FRONT .068
-	F2059		A/R	SPACER, BEVEL GEAR FRONT .071
-	F2060		A/R	SPACER, BEVEL GEAR FRONT .074
-	F2061		A/R	SPACER, BEVEL GEAR FRONT .077
-	F2062		A/R	SPACER, BEVEL GEAR FRONT .080
-	F2063		A/R	SPACER, BEVEL GEAR FRONT .083
-	F2064		A/R	SPACER, BEVEL GEAR FRONT .086
-	F2087		A/R	SPACER, BEVEL GEAR FRONT .056
37	F99521-1		1	CLUTCH
38	F2097		1	SPRING PIN
39	F90871-3		1	GEAR SHIFT ARM PIN
40	FA474098		1	PROPELLER SHAFT ASSEMBLY
41	F40717		1	THRUST WASHER BEVEL GEAR
42	F516662		1	GEAR, BEVEL REAR
43	F474143		1	BEARING, BEVEL GEAR REAR
44	F2052		-	SHIM, PROPELLER SHAFT BEARING CAGE .005 (SILVER)
-	F2053		-	SHIM, PROPELLER SHAFT BEARING CAGE .006 (RED)
-	F2054		-	SHIM, PROPELLER SHAFT BEARING CAGE .008 (BLACK)
45	F474225		1	BEARING, PROPELLER SHAFT REVERSE THRUST
46	F141118		1	SEAL, PROPELLER SHAFT
47	F141305		1	SEAL, PROPELLER SHAFT BEARING CAGE
48	F1994		2	HEX SOCKET HD CAP SCREW, 5/16 - 18 X 1
49	F2A474298		1	PROPELLER SHAFT BEARING CAGE W/SEALS AND BEARING CUP
50	FP296		1	PROPELLER
51	FA94094-2		1	PROPELLER NUT W/SEAL & COTTER PIN
52	F1027		1	COTTER PIN
53	F40342		1	SEAL, PROPELLER NUT
54	FK247		1	PROPELLER PIN (PACK OF 6 W/COTTER PIN)
55	F90619-1		1	YOKE, GEAR SHIFT ARM
56	FA516485		1	ANTI-CORROSION ANODE W/LITERATURE
57	F1733		2	PAN HD SCREW, 10 - 24 X 9/16
58	FK1064		1	GEAR HOUSING KIT. INCLUDES ALL ITEMS MARKED WITH A DOUBLE ASTERISK (**)
59	FK1071		1	WATER PUMP KIT W/ILLUSTRATIONS 3, 6, 9 AND 10

FUEL TANK AND LINE



FUEL TANK AND LINE

REF. NO.	PART NO.	SYM.	QTY.	DESCRIPTION
1	F213342		1	SEAL, FUEL LINE COUPLER
2	F213735		1	SEAL, FUEL LINE COUPLER
3	F197787-3		1	FUEL LINE COUPLER
4	F298788		4	FERRULE
5	FA84754-1		1	FUEL LINE SHORT W/FERRULES
6	89396A38		1	PRIME BULB
7	32-817738A1		1	FUEL LINE, LONG W/CLAMP AND FERRULE
8	F487755		1	FUEL TANK ADAPTER
9	F5H027		1	FUEL TANK (ACCESSORY ITEM)
10	F409251-1		1	GAUGE CAP
-	FS409752		1	FUEL LINE - COMPLETE (NOT SHOWN) INCLUDES ALL ITEMS MARKED WITH AN ASTERISK (*)
-	FC409398		1	DECAL TOTE TANK

SPECIAL TOOLS - TUNE-UP

REF. NO.	PART NO.	SYM.	QTY.	DESCRIPTION
-	FT2909		0	KNOCK-OFF NUT TO REMOVE FLYWHEEL
-	FT2989		0	FLYWHEEL WEDGE TO REMOVE FLYWHEEL

SPECIAL TOOLS - STARTER

REF. NO.	PART NO.	SYM.	QTY.	DESCRIPTION
-	FT3139-1		0	STARTER REWIND KEY TO REWIND STARTER SPRING

SPECIAL TOOLS - POWER HEAD

REF. NO.	PART NO.	SYM.	QTY.	DESCRIPTION
-	FT3012		0	SEAL INSTALLER TO INSTALL UPPER CRANKSHAFT BEARING CAGE SEAL
-	FT8929		0	ADAPTER AND HEX BIT TO TORQUE CONNECTING ROD SCREWS
-	FT2997		0	RING COMPRESSOR TO INSTALL PISTONS IN CYLINDERS
-	FT1749		0	SNAP RING PLIERS TO REMOVE AND INSTALL PISTON PIN RETAINING RINGS
-	FT8926		0	PISTON RING EXPANDER TO INSTALL RINGS ON PISTONS
-	FT11202		0	SEAL INSTALLER TO INSTALL LOWER CRANKSHAFT SEAL

SPECIAL TOOLS - LOWER UNIT

REF. NO.	PART NO.	SYM.	QTY.	DESCRIPTION
-	FT8957		0	SEAL INSTALLER TO INSTALL SHIFT ROD SEAL
-	FT2915		0	SEAL INSTALLER TO INSTALL DRIVESHAFT SEAL - UPPER AND LOWER AND PROPELLER SHAFT SEAL
-	FT3431		0	SEAL INSTALLER TO INSTALL PROPELLER SHAFT SEAL
-	FT8948-1		0	BEARING CAGE PULLER TO REMOVE PROPELLER SHAFT BEARING CAGE
-	FT8921		0	BEARING CUP REMOVER TO REMOVE FORWARD BEARING CUP
-	FT8918		0	BEARING GUIDE SET TO REMOVE AND INSTALL FORWARD BEARING CUP.
-	FT8907		0	DRIVER HANDLE TO INSTALL BEARING CUPS AND SEALS.
-	FT8920		0	BEARING INSTALLER TO REMOVE AND INSTALL PROPELLER SHAFT BEARING.
-	FT8924-1		0	CHECKING GAUGE TO SHIM LOWER UNIT
-	FT8982		0	SHIM ADAPTER USE WITH T8924-1 CHECKING GAUGE.
-	FT8995		0	SHIM SPACERS TO USE WITH CHECKING GAUGE (T8924-1)
-	FT8901		0	INDICATOR HOLDER TO USE WITH SHIM ADAPTER (T8982)
-	FT8902		0	DIAL INDICATOR TO USE WITH CHECKING GAUGE (T8924-1)

SPECIAL TOOLS - TEST EQUIPMENT

REF. NO.	PART NO.	SYM.	QTY.	DESCRIPTION
-	FT8950		0	LEAKAGE TESTER TO TEST LOWER UNIT SEALS FOR LEAKS
-	FT8996		0	IGNITION TESTER TO TEST TRIGGER OUTPUT
-	FT8953		0	C-D TESTER TO TEST STATOR OUTPUT AND SECONDARY VOLTAGE

SPECIAL TOOLS - LUBRICANTS AND SEALANTS

REF. NO.	PART NO.	SYM.	QTY.	DESCRIPTION
-	FT2961		0	LUBRICANT - RYKON #2EP
-	FT2987		0	LUBRICANT - ANTI-SEIZE
-	FT8969		0	LUBRICANT - 7 OZ. 2 PSI LUBRICANT
-	FT8983		0	SEALANT - 5 OZ EC-750 INDUSTRIAL SEALANT
-	FT8936		0	SEALANT - 2 CC LOCTITE RETAINING COMPOUND #75
-	FT2962-1		0	SEALANT - 50 CC LOCTITE H, NON-HARDENING GRADE
-	FT2963-1		0	SEALANT - 2 OZ. LOCTITE D, HARDENING GRADE
-	FT8935		0	SEALANT PRIMER - 6 OZ.

SPECIAL TOOLS - REPAIR DECALS - ENGINE COVERS

REF. NO.	PART NO.	SYM.	QTY.	DESCRIPTION
-	T11212		0	BOAT BLACK
-	T11211		0	BOAT WHITE
-	T11229		0	SAND TAN

ACCESSORIES

REF. NO.	PART NO.	SYM.	QTY.	DESCRIPTION
-	F5H105		0	BATTERY CHARGING SYSTEM USED IN CONJUNCTION WITH LIGHTING COIL.
-	F5H113		0	REMOTE CONTROL KIT PERMITS REMOTE CONTROL OF THROTTLE, GEAR SHIFT AND STEERING FROM FRONT OF BOAT.
-	F5H114		0	REMOTE STEERING BRACKET ADAPTS MOTOR TO CABLE TYPE REMOTE STEERING.
-	F5H130		0	REMOTE CONTROL BOX SINGLE LEVER SURFACE MOUNT - STARBOARD.
-	F5H131		0	REMOTE CONTROL DECAL KIT DECAL FOR PORT SIDE MOUNTING OF 5H130 CONTROL.
-	F195/___		0	REMOTE CONTROL CABLES SHIFT AND THROTTLE, HEAVY DUTY, LENGTHS 6 TO 40 FEET.
-	F5H027		0	FUEL TANK, 6 GALLON, STEEL AUXILIARY FUEL TANK.
-	F5H029		0	FUEL TANK ANCHOR RETAINS TOTE TANK ON BOAT FLOOR.
-	F5H040		0	STEEL 12 GALLON FUEL TANK AUXILIARY TANK.
-	F5H134		0	BOAT WHITE LACQUER ENGINE TOUCH-UP PAINT IN 12 3/4 OZ. SPRAY BOMBS (6 CANS PER CASE).
-	F596		0	CHRYSLER OUTBOARD OIL SEE BLOCK COMMENT 1.
-	F597		0	CHRYSLER OUTBOARD GEAR LUBE SEE BLOCK COMMENT 2.
-	72H26		0	CHRYSLER OUTBOARD FUEL AID REMOVES MOISTURE. PREVENTS SLUDGE AND VARNISH AND STABILIZES GAS. AVAILABLE IN 16 OZ. CANS AND 12 CAN CASES.
-	72H27		0	CHRYSLER OUTBOARD STORAGE LUBRICANT WORKS AS A CORROSION INHIBITOR AND PROTECTS INTERNAL ENGINE PARTS DURING STORAGE. AVAILABLE IN 16 OZ. CANS AND 12 CAN CASES.
-	72H28		0	CHRYSLER OUTBOARD MULTI-PURPOSE SPRAY LUBE WORKS AS A LUBRICANT, CLEANER, MOISTURE REMOVER AND ELECTRIC INSULATOR. AVAILABLE IN 9 OZ. CANS AND 12 CAN CASES.
-	F72H29		0	CHRYSLER OUTBOARD MULTI-PURPOSE GREASE LUBRICATES BEARINGS AND OTHER MOVING PARTS. AVAILABLE IN 8 OZ. TUBES AND 12 TUBE CASES.
-	F72H30		0	CHRYSLER OUTBOARD GREASE GUN USED WITH CHRYSLER OUTBOARD MULTI-PURPOSE GREASE TUBES FOR PRESSURE FITTINGS.
-	72H34		0	CHRYSLER OUTBOARD MULTI-PURPOSE CLEANER

PARTS INDEX

Part Number	Description	Pg.	Ref. No.	Part Number	Description	Pg.	Ref. No.
4C565712	ENGINE COVER COMPLETE.	3	-	F1044	SCREW, 1/4 - 20 X 1 3/8 . . .	17	32
525156-1	COVER SUPPORT PLATE REAR	3	10	F1052	FILL HD SCREW, 1/4 - 20 X 1	11	12
72H26	CHRYSLER OUTBOARD FUEL AID	37	-	F1069	FILL HD SCREW, 10 - 24 X 1/16	13	36
72H27	CHRYSLER OUTBOARD STORAGE LUBRICANT . .	37	-	F1107	SCREW, 1/4 - 20 X 3/4	17	33
72H28	CHRYSLER OUTBOARD MULTI-PURPOSE SPRAY LUBE	37	-	F1110	SCREW, 1/4 - 20 X 5/8	17	10
72H34	CHRYSLER OUTBOARD MULTI-PURPOSE CLEANER	37	-	F1111	FILL HD SCREW, 1/4 - 20 X 7/8	17	38
817747--1	JOINT, BALL ASSEMBLY . . .	9	13	F1200	HEX HD SCREW, 1/4 - 20 X 1/2	5	58
817761A2	SCREW CLAMP	23	44	F1257	SCREW, 5/16 - 18 X 1/4	17	30
817796A2	GEAR SHIFT ARM ASSEMBLY	25	30	F1286	PAN HD SCREW, #4 - 40 X 3/16	15	42
817856A1	SPOOL STARTER W/SCREW	11	17	F1341	HEX NUT	25	11
817938A1	RETAINER STARTER ROPE HANDLE	11	21	F1341	NUT, 1/4 - 20	21	14
817963A4	CARBURETOR	13	33	F1346	HEX NUT, S.S., 3/8 - 16	25	23
89396A38	PRIME BULB	29	6	F141118	SEAL, CRANKSHAFT LOWER	17	23
A487038	SUPPORT PLATE W/EYELET	3	11	F141118	SEAL, PROPELLER SHAFT .	27	46
F10058	FUEL BOWL	13	17	F141305	SEAL, PROPELLER SHAFT BEARING CAGE	27	47
F10061	CHOKE SHAFT ASSEMBLY .	13	29	F1447	RD HD DRIVE SCREW, #2 X 3/16	23	49
F10062	CHOKE VALVE ASSEMBLY .	13	26	F1464	HEX HD M. SCREW, 1/4 - 28 X 3/8	23	63
F10063	FLOAT	13	20	F1467	SCREW SWIVEL BRACKET .	21	34
F10064	SHAFT - FLOAT	13	19	F1475	FILL HD SCREW, 10 - 24 X 1/2	3	3
F10066	GASKET VALVE SEAT	13	22	F1490	NUT, 1/4 - 20	13	24
F10068	GASKET BODY TO BOWL . .	13	18	F1500	RD HD SHEET METAL SCREW #4 X 1/4	11	26
F10069	GASKET KIT.	15	-	F1507	HEX CAP SCREW, 3/8 - 16 X 2 1/2	9	20
F10070	SCREW ASSEMBLY - CHOKE VALVE	13	25	F1513	HEX NUT	3	6
F10071	SCREW, THROTTLE VALVE	15	44	F1513	NUT, 10 - 32	9	12
F10072	SPRING CHOKE STOP	13	30	F1518	NUT, 5/16 - 18	3	15
F10073	SPRING IDLE NEEDLE	13	28	F154317	CLAMP REMOTE CABLE . . .	3	29
F10077	NEEDLE - IDLE	13	27	F1552	PAN HD M. SCREW, 8 - 32 X 1/2	7	26
F10081	SHAFT ASSEMBLY - THROTTLE	13	32	F1556	SLOTTED HD M. SCREW, 10 - 24 X 3/8	3	17
F10084	FLOAT SUPPORT SPRING .	15	51	F1573	FILL HD SCREW, 1/4 - 20 X 1/2	3	38
F10085	SPRING THROTTLE RETURN	13	31	F1645	SLOTTED RD HD TAP SCREW, 6 - 32 X 1/4	7	27
F10086	JET ASSEMBLY, OPT. .037 5000 - 7000 FT.	13	-	F1647	HEX M. SCREW NUT, 8 - 32	7	28
F10087	REPAIR KIT.	15	52	F1666	WAVE WASHER	23	52
F10090	GASKET FUEL BOWL RETAINER	13	16	F1678	FILL HD SCREW, 10 - 24 X 13/16	7	10
F10091	VALVE THROTTLE	15	43	F1678	SLOTTED FILL HD SCREW, 10 - 24 X 13/16	7	18
F10093	JET ASSEMBLY, OPT. .038 3000 - 5000 FT.	13	-	F1699	HEX HD SCREW, 1/4 - 20 X 1/8	9	5
F10094	JET ASSEMBLY, OPT. .036 7000 FT. & UP	13	-	F1733	PAN HD SCREW, 10 - 24 X 9/16	27	57
F10096	JET ASSEMBLY, STD. .039 SEA LEVEL - 3000 FT. . . .	13	15	F1734	SLOTTED FILL HD SCREW, 1/4 - 20 X 1/2	5	56
F10101	KIT - VALVE, SEAT, SPRING & GASKET	13	21	F1755	RD HD SCREW & SPRING LOCKWASHER ASSEMBLY, 6 - 32 X 5/16	13	2
F10104	NOZZLE	13	23				
F1027	COTTER PIN	27	52				
F1035	FILL HD SCREW, 1/4 - 20 X 5/8	25	27				

PARTS INDEX

Part Number	Description	Pg.	Ref. No.	Part Number	Description	Pg.	Ref. No.
F1760	PAN HD SCREW, 10 - 24 X 3/8	11	4	F2055	SPACER, BEVEL GEAR FRONT .059	25	36
F1772	HEX HD SCREW, 8 - 32 X 1/2	13	7	F2056	SPACER, BEVEL GEAR FRONT .062	25	-
F178446	CLAMP LEAD WIRE	5	55	F2057	SPACER, BEVEL GEAR FRONT .065	27	-
F1794	SPRING PIN, 3/32 X 3/8	21	24	F2058	SPACER, BEVEL GEAR FRONT .068	27	-
F1805	SPRING PIN, 1/4 X 3/8	21	15	F2059	SPACER, BEVEL GEAR FRONT .071	27	-
F1806	GROOVE PIN, 5/16 - 3/4	21	29	F2060	SPACER, BEVEL GEAR FRONT .074	27	-
F1809	FLYWHEEL NUT	7	6	F2061	SPACER, BEVEL GEAR FRONT .077	27	-
F18160-2	REED FUEL PUMP	15	40	F2062	SPACER, BEVEL GEAR FRONT .080	27	-
F1833	HEX CAP SCREW, 1/4 - 20 X 1	23	56	F2063	SPACER, BEVEL GEAR FRONT .083	27	-
F1845	TY-RAP	7	30	F2064	SPACER, BEVEL GEAR FRONT .086	27	-
F1854	HEX CAP SCREW, 1/4 - 20 X 5/8	5	67	F2087	SPACER, BEVEL GEAR FRONT .056	27	-
F1877	TY-RAP	7	20	F2097	SPRING PIN	27	38
F1887	HEX SLOTTED HD SCREW, 1/4 - 20 X 3/16	23	59	F2106	INTERNAL TOOTH LOCKWASHER	23	64
F18906	GASKET CARBURETOR	13	13	F2106	LOCKWASHER	7	3
F18906	GASKET, CARBURETOR	19	-	F213274	FITTING GREASE	21	32
F195/	REMOTE CONTROL CABLES	37	-	F213342	SEAL, FUEL LINE COUPLER	29	1
F1950	HEX HD SCREW, 10 - 24 X 5/8	3	13	F213735	SEAL, FUEL LINE COUPLER	29	2
F1953	HEX HD SCREW, 1/4 - 20 X 1	13	14	F24074	FOOT CLAMP SCREW	23	46
F1953	SCREW, 1/4 - 20 X 1	17	29	F24748-2	GASKET FUEL PUMP	13	37
F1972	HEX HD SCREW, 1/4 - 20 X 2 1/2	21	7	F250017	PISTON PIN	17	14
F1975	LOCKWASHER, #10	5	44	F250410	PISTON PIN RETAINING RING	17	13
F1975	SPRING LOCKWASHER	7	21	F269689	BEARING STARTER BRACKET UPPER	11	9
F197767-1	BUSHING FUEL LINE	3	21	F2706772	CLAMP HOSE	15	46
F197787-3	FUEL LINE COUPLER	29	3	F2788004	STUD CARBURETOR	13	12
F1978	SPRING PIN, 1/8 X 1/2	5	40	F286011	WASHER SWIVEL BRACKET	21	20
F197813	BEARING	21	22	F286028-1	BEARING, CRANKSHAFT UPPER MAIN	19	43
F197813	BEARING STARTER BRACKET LOWER	11	20	F286037	BOLT STERN BRACKET	21	38
F1994	HEX SOCKET HD CAP SCREW, 5/16 - 18 X 1	27	48	F286114	HANDLE LOCK BAR	21	10
F1994	SCREW, 5/16 - 18 X 1	17	31	F286132	HANDLE STARTER ROPE	11	22
F1995	SLOTTED HD M. SCREW, 10 - 24 X 1	9	19	F286169	BEARING SWIVEL BRACKET	21	16
F1999	HEX CAP SCREW, 1/4 - 20 X 7/8	5	66	F286277	GASKET, CRANKSHAFT BEARING CAGE	17	35
F2010	FILL HD SCREW, 10 - 32 X 9/16	7	12	F286277	GASKET, CRANKSHAFT BEARING CAGE	19	-
F2012	PLAIN WASHER	23	61	F286286-1	WASHER	23	54
F2026	RIVET, SUPPORT PLATE COVER	5	59	F286300	SPRING REVERSE LOCK	21	31
F2030	HEX HD SCREW, 1/4 - 20 X 1/4	25	3	F286349	LOCK REVERSE	21	33
F2031	HEX HD SCREW, 1/4 - 20 X 3/4	11	7	F286364	LEVER REVERSE LOCK	21	26
F2041	HEX HD SCREW, 10 - 24 X 3/8	3	26	F286422-1	PIVOT TILT LOCK	21	17
F2042	WASHER	15	47	F286433	BRACKET SHALLOW WATER DRIVE	21	30
F2052	SHIM, PROPELLER SHAFT BEARING CAGE .005 (SILVER)	27	44	F286451	SPACER TILT LOCK	21	18
F2053	SHIM, PROPELLER SHAFT BEARING CAGE .006 (RED)	27	-	F286461	SPRING LOCK BAR HANDLE	21	9
				F286544-1	SPRING TILT LOCK	21	35

PARTS INDEX

Part Number	Description	Pg.	Ref. No.	Part Number	Description	Pg.	Ref. No.
F286585-1	DECAL, TILT RELEASE - USA	23	55	F448874	SPLICE	7	15
F286647	HANDLE CARRYING	21	40	F458250	BEARING CUP	25	34
F286827	LEVER REVERSE LOCK RELEASE	21	25	F458498	MAGNETO KEY	17	41
F298788	FERRULE	29	4	F468342	SEAL, CRANKSHAFT SPLINE	17	39
F299673	TERMINAL RING	7	32	F474143	BEARING, BEVEL GEAR REAR	27	43
F2A24757	PLATE FUEL PUMP REED W/REEDS & SCREWS	13	38	F474225	BEARING, PROPELLER SHAFT REVERSE THRUST	27	45
F2A474298	PROPELLER SHAFT BEARING CAGE W/SEALS AND BEARING CUP	27	49	F487078	STEERING LOCK BRACKET	9	14
F2A516023	BEVEL GEAR FORWARD W/BEARING	25	35	F487128	DRIVESHAFT (STANDARD LEG)	25	7
F2A516266	PINION SHAFT W/BEARING	25	29	F487455	GUIDE STARTER ROPE	3	5
F2A521016	CONNECTING ROD	17	16	F487584	GUIDE, SPRING DETENT	25	19
F2A525010	CYLINDER	17	6	F487616	GEAR SHIFT ROD INTERMEDIATE	25	2
F2A525018	CRANKSHAFT W/UPPER BEARING	17	25	F487704	COUPLING, SHIFT ROD	25	12
F2A525158	PLATE REED W/SEAL	13	5	F487705	GEAR SHIFT ROD LOWER (STANDARD LEG)	25	14
F307818	BEARING (NYLINER)	5	50	F487755	FUEL TANK ADAPTER	29	8
F31160-1	REED	13	4	F498618	SEAL, "O" RING	25	32
F318307	SEAL	25	4	F498891	GEAR SHIFT ARM PIN	25	31
F318307	SEAL, DRIVESHAFT	5	57	F50109	GEAR HOUSING PLUG	25	18
F318342	SEAL, WATERLINE INLET UPPER	21	1	F50563	WATER PUMP IMPELLER DRIVE PIN	25	8
F318347-1	UPPER MOUNT	9	6	F510450-1	RECTIFIER	7	22
F318539	BUMPER	9	7	F516125	COUPLING, DRIVESHAFT	25	26
F318818	BEARING, SHIFT LEVER SHAFT	3	37	F516244	WATERLINE (STD. LEG)	21	2
F338618-1	SEAL, SHIFT ROD LOWER	25	22	F516463	BRACKET, REVERSE THRUST	23	62
F341510	LINK REVERSE LOCK LEVER	21	28	F516662	GEAR, BEVEL REAR	27	42
F341562	WATER PUMP BACK PLATE	25	10	F516677	SPACER REVERSE LOCK	23	58
F343014	BEARING, CRANKSHAFT LOWER MAIN	17	24	F516697	NUT STEERING LOCK BRACKET	23	51
F346146	SEAL, CRANKSHAFT UPPER	17	37	F516697	NUT STEERING, LOCK BRACKET ARM	9	18
F36634	CONNECTING ROD SCREW	17	22	F516705	GEAR SHIFT ROD LOWER (LONG LEG)	25	-
F392777	CAM COVER LATCH	3	16	F516885	PLUG, SPRING HOLDING	25	21
F40008	STUD	25	28	F516895	SPRING, SHIFT DETENT	25	20
F40342	SEAL, PROPELLER NUT	27	53	F516977	LEVER SHIFT INTERLOCK	5	48
F40425	PIN STARTER PINION	11	18	F517128	DRIVESHAFT (LONG LEG)	25	-
F404908	WIRE, STATOR GROUND	7	13	F517273	TIE BAR	23	57
F40717	THRUST WASHER BEVEL GEAR	27	41	F517673	TERMINAL RING	7	31
F409232	ROPE STARTER	11	23	F521460	FUSE HOLDER	7	25
F409251-1	GAUGE CAP	29	10	F521547	CHOKE KNOB	3	24
F424075	HANDLE CLAMP SCREW	23	43	F521683	WIRE GROUND	7	24
F429065	WATER PUMP IMPELLER	25	9	F521843	CABLE LIGHTING COIL EXT.	7	16
F429541	LOCK TILT	21	36	F525015	PISTON	17	15
F429811	SCREEN, CYLINDER DRAIN	17	8	F525019	KINGPIN	21	12
F430732	HEX HD SCREW, 5/16 - 18 X 1/4	25	15	F525029	STATOR - TRIGGER	7	11
F435555	SEAL, GEAR HOUSING LOWER	25	25	F525064	SCREW - C-D COIL	7	19
F436449	SHORTING SWITCH	7	4	F525081-1	LEVER THROTTLE	13	10
F448371	BRACKET REMOTE THROTTLE	5	62	F525082	RING STATOR	17	34
F448612	BRACKET REMOTE SHIFT	5	64	F525095	STATOR ALTERNATOR	7	14
				F525097	FLYWHEEL	7	8
				F525105	SHAFT INTERLOCK	11	10
				F525133	MOTOR LEG	21	5
				F525151	PLATE EXHAUST	17	27
				F525152	COVER EXHAUST	17	28
				F525154	GASKET EXHAUST	17	26

PARTS INDEX

Part Number	Description	Pg.	Ref. No.	Part Number	Description	Pg.	Ref. No.
F525154	GASKET, EXHAUST	19	-	F525925	LINK CHOKE KNOB	3	25
F525159	GASKET, REED PLATE	13	1	F525977	LEVER SHIFT INTERLOCK	3	39
F525159	GASKET, REED PLATE	19	-	F525984	SEAL, REED PLATE	15	50
F525161	REED STOP	13	3	F525991	GROMMET	9	16
F525168	GASKET MANIFOLD	13	6	F526198	STOP REMOTE IDLE	9	17
F525168	GASKET, MANIFOLD	19	-	F536813	BEARING	23	65
F525193	LINK THROTTLE	13	11	F53795-1	SEAL	11	27
F525263	LINK STARTER INTERLOCK	3	32	F596	CHRYSLER OUTBOARD OIL	37	-
F525279	GASKET, CYLINDER MOUNTING	17	40	F597	CHRYSLER OUTBOARD GEAR LUBE	37	-
F525279	GASKET, CYLINDER MOUNTING	19	-	F5H027	FUEL TANK (ACCESSORY ITEM)	29	9
F525286	WASHER	23	53	F5H027	FUEL TANK, 6 GALLON, STEEL	37	-
F525301	STATOR - C-D	7	9	F5H029	FUEL TANK ANCHOR	37	-
F525316-1	FOLLOWER THROTTLE CAM	13	8	F5H040	STEEL 12 GALLON FUEL TANK	37	-
F525346	MOUNT LOWER SHOCK	21	37	F5H105	BATTERY CHARGING SYSTEM	37	-
F525390	DECAL STOP - USA	3	22	F5H113	REMOTE CONTROL KIT	37	-
F525394	DECAL CHOKE - USA	3	23	F5H114	REMOTE STEERING BRACKET	37	-
F525424	SPRING STARTER PINION	11	3	F5H130	REMOTE CONTROL BOX	37	-
F525427-1	BRACKET STARTER UPPER	11	8	F5H131	REMOTE CONTROL DECAL KIT	37	-
F525445	LINK, MAGNETO STATOR CONTROL	9	11	F5H134	BOAT WHITE LACQUER	37	-
F525453	GASKET LEG MOUNTING	21	3	F66480	STUD CLAMP SCREW	23	47
F525453	GASKET, LEG MOUNTING	19	-	F7011	ELASTIC STOP NUT, 10 - 24	3	9
F525454	BRACKET RECTIFIER	7	23	F7024	LOCK NUT	23	60
F525455	GUIDE STARTER ROPE	11	5	F7024	STOP NUT	5	61
F525457	SCREW	11	1	F7027	NUT (LEFT HAND) 10 - 24	9	10
F525469	HANDLE LATCH	3	18	F72H29	CHRYSLER OUTBOARD MULTI-PURPOSE GREASE	37	-
F525472	GASKET, CYLINDER DRAIN COVER	17	7	F72H30	CHRYSLER OUTBOARD GREASE GUN	37	-
F525472	GASKET, CYLINDER DRAIN COVER	19	-	F73741-1	RING	5	54
F525475	C-D MODULE COIL	7	1	F8003	PLAIN WASHER	15	41
F525504	GROMMET, CHOKE ROD	5	49	F8025	PLAIN WASHER	17	2
F525518	CYLINDER HEAD	17	4	F8049	WASHER BOWED SPRING	5	68
F525529	GASKET, CYLINDER HEAD	17	5	F8058	INTERNAL TOOTH LOCKWASHER	5	52
F525529	GASKET, CYLINDER HEAD	19	-	F8065	LOCKWASHER	25	24
F525531	ROD SHIFT INTERLOCK	5	41	F8070	BOWED SPRING WASHER	11	24
F525579	CRANKCASE SEAL	17	21	F8077	NYLTITE WASHER	25	17
F525582-1	STEERING ARM	9	1	F8078	INTERNAL TOOTH LOCKWASHER	7	29
F525605	GEAR, TOWERSHAFT	9	2	F8083	LOCKWASHER	21	13
F525614	HANDLE GEAR SHIFT	3	28	F84026	SCREW SHOULDER	5	43
F525615	ROD GEAR SHIFT UPPER	3	12	F84026	SHOULDER SCREW	9	9
F525629	COTTER PIN	11	11	F84035-2	BEARING INTERLOCK ROD	5	42
F525674-1	GEAR STARTER PINION	11	2	F84036	BEARING, SPARK CONTROL	9	8
F525675	BRACKET STARTER LOWER	11	19	F84253	HOSE	13	34
F525689	TOWERSHAFT BEARING	9	4	F84253	HOSE	15	48
F525707	COVER, SHOCK MOUNT LOWER	21	6	F84991-1	GROMMET LIGHTING COIL WIRE (NOT SHOWN)	3	-
F525737	RETAINER STARTER REWIND SPRING	11	15	F85026	SCREW	5	51
F525763	SHAFT COVER LATCH	3	20	F8537	SPRING PIN	23	45
F525779	BAFFLE IDLE RELIEF	21	4	F8538	SPRING PIN, 3/32 X 1/2	3	34
F525781	INTERLOCK STARTER	11	6	F8538	SPRING PIN, 3/32 X 1/2	21	27
F525838	TOWERSHAFT	9	3	F8540	SPRING PIN	25	13
F525839	SCREW, STEERING FRICTION	21	21				
F525871	SHAFT GEAR SHIFT LEVER	3	33				
F525876	LEVER GEAR SHIFT	3	36				
F525912	SPRING LATCH SHAFT	3	14				

PARTS INDEX

Part Number	Description	Pg.	Ref. No.	Part Number	Description	Pg.	Ref. No.
F8540	SPRING PIN, 3/32 X 5/8	21	8	FA565396	DECAL "CHRYSLER" - STARBOARD	3	7
F8547	SPRING PIN, 1/8 X 5/8	3	19	FA565397	DECAL "CHRYSLER" - PORT	3	-
F8547	SPRING PIN, 1/8 X 5/8	3	35	FA84754-1	FUEL LINE SHORT W/FERRULES	29	5
F8554	SPRING PIN, 3/16 X 3/4	21	42	FA94094-2	PROPELLER NUT W/SEAL & COTTER PIN	27	51
F8559	DOWEL PIN	17	11	FC409398	DECAL TOTE TANK	29	-
F8567	SPRING PIN, 1/8 X 13/16	3	27	FC516054	GEAR HOUSING COMPLETE (NOT SHOWN).	25	-
F8571	SPRING PIN, 1/8 X 1 3/4	11	25	FC525010	CYLINDER COMPLETE. (NOT SHOWN).	17	-
F901456-1	COLLAR, EMERGENCY START	7	7	FC525380	DECAL STOP - CANADA	3	-
F901710	POST STARTER SPRING GUIDE	11	14	FC525394	DECAL CHOKE - CANADA	3	-
F901739	DRIVE STARTER REWIND SPRING	11	13	FG1018	GASKET SET.	19	42
F901746-2	COVER FUEL PUMP	13	35	FK1064	GEAR HOUSING KIT.	27	58
F901811	FILTER FUEL PUMP	15	45	FK1071	WATER PUMP KIT	27	59
F901938-1	SCREW, CYLINDER HEAD	17	1	FK247	PROPELLER PIN (PACK OF 6 W/COTTER PIN)	27	54
F901970	SPRING STARTER REWIND	11	16	FK516984	BLANKET TOP & SIDES	5	47
F90619-1	YOKE, GEAR SHIFT ARM	27	55	FK517032	BRACKET STERN STARBOARD W/SCREW CLAMP	21	39
F90807	RETAINING RING	15	49	FK525713	ENGINE COVER PACKING	3	30
F90871-3	GEAR SHIFT ARM PIN	27	39	FK567532	BRACKET STERN PORT W/SCREW CLAMP	21	41
F98273	STUD ROD END CONNECTOR	9	15	FK750-3	SPARKIE KIT	7	2
F98273	STUD, ROD END CONNECTOR	5	60	FP296	PROPELLER	27	50
F99521-1	CLUTCH	27	37	FS409752	FUEL LINE - COMPLETE (NOT SHOWN)	29	-
FA286113	BAR LOCK	21	11	FS537712	ENGINE COVER W/PACKING, REAR RETAINER AND LATCH BRACKET	3	1
FA286155	LINER, CENTER MAIN	17	20	FT11202	SEAL INSTALLER	32	-
FA387742	LEVER REVERSE LOCK INTERMEDIATE	21	23	FT1749	SNAP RING PLIERS	32	-
FA474098	PROPELLER SHAFT ASSEMBLY	27	40	FT2909	KNOCK-OFF NUT	30	-
FA510914	SEAL, INLET WATER LINE	25	5	FT2915	SEAL INSTALLER	33	-
FA516054	GEAR HOUSING LOWER W/PLUG, WASHER AND BEARING CUP	25	33	FT2961	LUBRICANT - RYKON #2EP	35	-
FA516060	WATER PUMP BODY W/WATER PUMP SEAL	25	6	FT2962-1	SEALANT - 50 CC LOCTITE H, NON-HARDENING GRADE	35	-
FA516485	ANTI-CORROSION ANODE	27	56	FT2963-1	SEALANT - 2 OZ. LOCTITE D, HARDENING GRADE	35	-
FA516554	GEAR HOUSING UPPER W/BEARING, SEALS, WASHER AND PLUG	25	16	FT2987	LUBRICANT - ANTI-SEIZE	35	-
FA521841	CABLE LIGHTING COIL W/SPLICES	7	17	FT2989	FLYWHEEL WEDGE	30	-
FA525167	MANIFOLD W/STUDS	13	9	FT2997	RING COMPRESSOR	32	-
FA525228	ROLLER CRANKPIN (16 ROLLERS)	17	18	FT3012	SEAL INSTALLER	32	-
FA525241	CRANKPIN ROLLER CAGE	17	17	FT3139-1	STARTER REWIND KEY	31	-
FA525471	COVER, CYLINDER DRAIN W/SCREEN	17	9	FT3431	SEAL INSTALLER	33	-
FA525480	RETAINER ENGINE COVER W/NUTS & SCREWS	3	4	FT8901	INDICATOR HOLDER	33	-
FA525774	BRACKET COVER LATCH W/SCREWS & NUTS	5	45	FT8902	DIAL INDICATOR	33	-
FA538395	IDENTIFICATION PLATE W/SCREWS	23	48	FT8907	DRIVER HANDLE	33	-
FA539528	DECAL ENGINE COVER, REAR	3	2	FT8918	BEARING GUIDE SET	33	-
FA539892	DECAL ENGINE COVER FRONT	5	46	FT8920	BEARING INSTALLER	33	-
FA565392	DECAL SAILOR	5	63	FT8921	BEARING CUP REMOVER	33	-
				FT8924-1	CHECKING GAUGE	33	-
				FT8926	PISTON RING EXPANDER	32	-
				FT8929	ADAPTER AND HEX BIT	32	-
				FT8935	SEALANT PRIMER - 6 OZ.	35	-

PARTS INDEX

Part Number	Description	Pg.	Ref. No.	Part Number	Description	Pg.	Ref. No.
FT8936	SEALANT - 2 CC LOCTITE RETAINING COMPOUND #75	35	-				
FT8948-1	BEARING CAGE PULLER ..	33	-				
FT8950	LEAKAGE TESTER	34	-				
FT8953	C-D TESTER	34	-				
FT8957	SEAL INSTALLER	33	-				
FT8969	LUBRICANT - 7 OZ. 2 PSI LUBRICANT	35	-				
FT8982	SHIM ADAPTER	33	-				
FT8983	SEALANT - 5 OZ EC-750 INDUSTRIAL SEALANT ..	35	-				
FT8995	SHIM SPACERS	33	-				
FT8996	IGNITION TESTER	34	-				
T11211	BOAT WHITE	36	-				
T11212	BOAT BLACK	36	-				
T11229	SAND TAN	36	-				
27-818043A1	DIAPHRAGM, FUEL PUMP W/GASKETS	13	39				
32-817738A1	FUEL LINE, LONG W/CLAMP AND FERRULE	29	7				
33-82370M	SPARK PLUG (L-86)	17	3				
39-818038A1	PISTON RING (2 RINGS) ...	17	12				
1100-817753A1	CAGE, CRANKSHAFT BEARING W/UPPER CRANKSHAFT SEAL	17	36				
1400-817964A2	SWIVEL BRACKET	21	19				
1600-817817A3	GEAR HOUSING UPPER W/BEARING, SEALS, WASHER AND PLUG	25	-				