



PARTS CATALOG

9.9 H.P. SAILOR

SERIAL NUMBER

9.9 (1980)95B0F
9.9 (1980)95H0F

TABLE OF CONTENTS:

ACCESSORIES	38
ELECTRIC STARTER	8
ELECTRICAL COMPONENTS	10
ENGINE COVER AND SUPPORT PLATE	2
FUEL PUMP	6
FUEL SYSTEM	14
FUEL TANK AND LINE	30
GEAR HOUSING	26
MOTOR LEG	22
PARTS INDEX	39
POWER HEAD	18
SPECIAL TOOLS - LOWER UNIT	34
SPECIAL TOOLS - LUBRICANTS AND SEALANTS	36
SPECIAL TOOLS - POWER HEAD	33
SPECIAL TOOLS - REPAIR DECALS - ENGINE COVERS	37
SPECIAL TOOLS - TEST EQUIPMENT	35
SPECIAL TOOLS - TUNE-UP	32

NOTE: Indented description indicate that these parts are included in preceeding assembly.

AR = As Required

NSS = Not Sold Separate

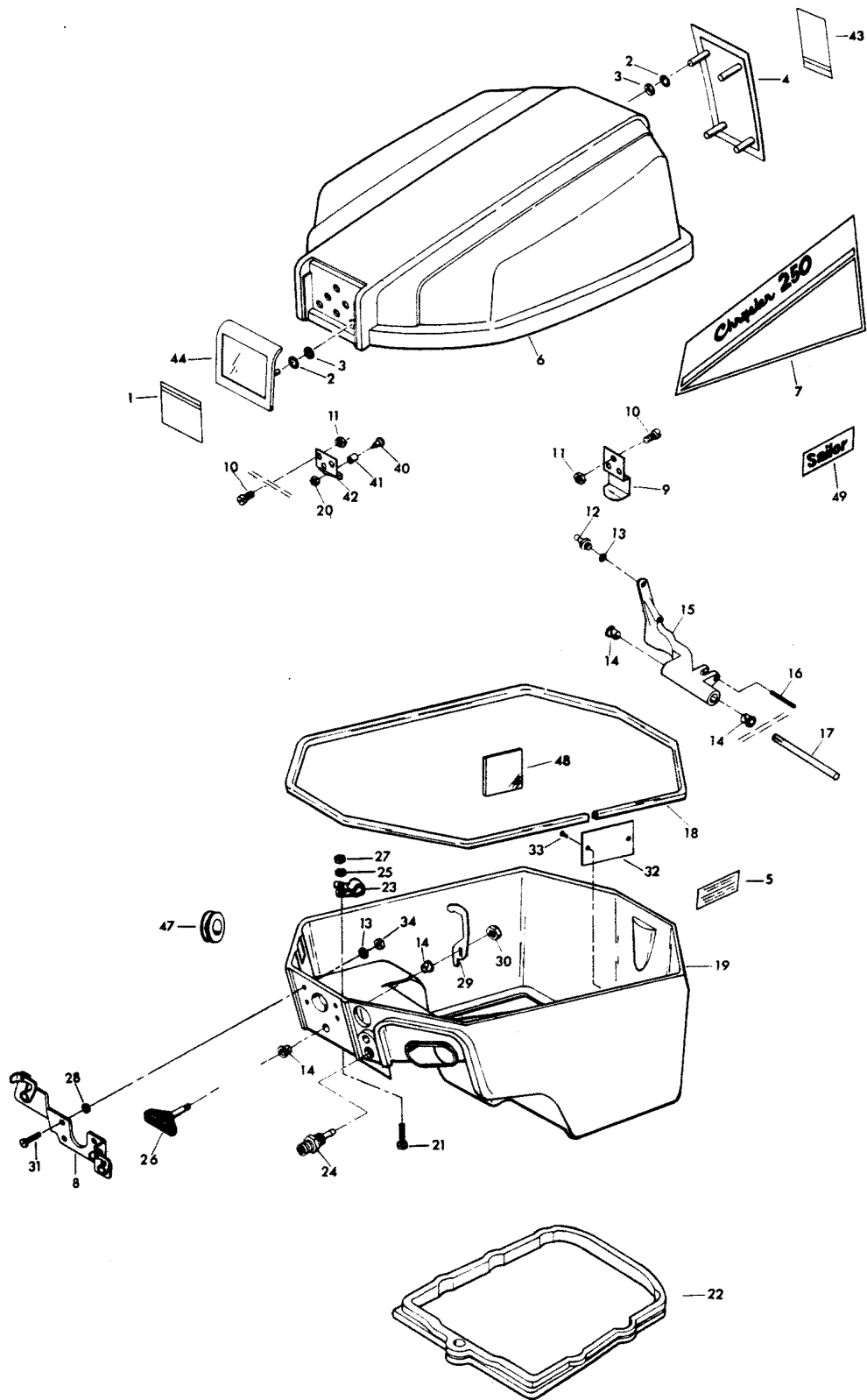
OPT = Optional

NS = Not Shown

THESE PARTS BOOKS/FICHE CARD ARE COPYRIGHTED AND MAY NOT BE DISTRIBUTED OR REPRODUCED IN ANY OTHER FORMAT BY ANYONE OTHER THAN MERCURY MARINE WITHOUT THE PRIOR WRITTEN CONSENT OF MERCURY MARINE.

THIS PAGE INTENTIONALLY LEFT BLANK

ENGINE COVER AND SUPPORT PLATE

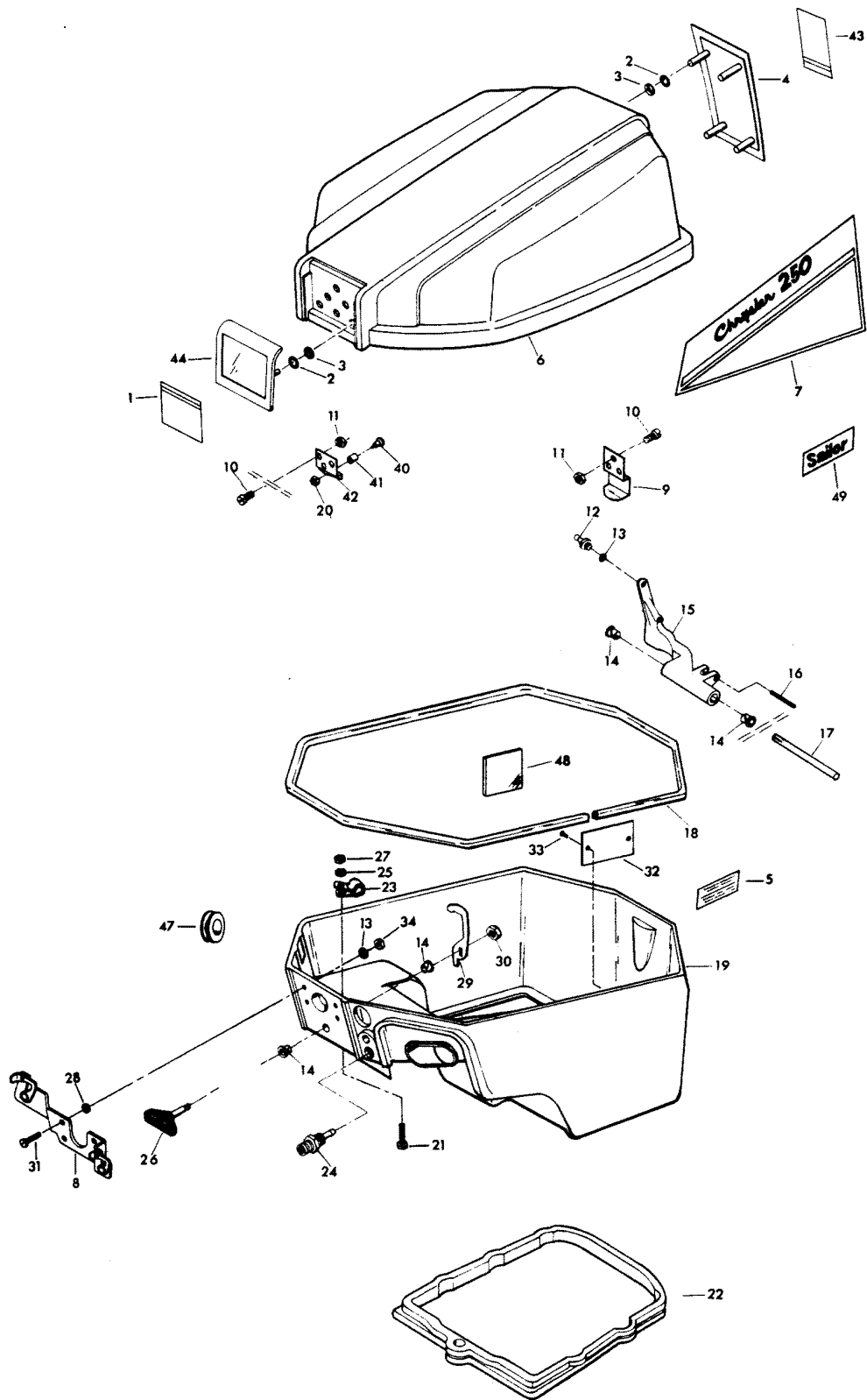


ENGINE COVER AND SUPPORT PLATE

REF. NO.	PART NO.	SYM.	QTY.	DESCRIPTION
1	A540892		1	DECAL, ENGINE COVER, FRONT W/LITERATURE
2	F85735-1		7	SEAL
3	F1753		7	FASTENER
4	F540180		1	TRIM, ENGINE COVER, REAR
6	S541712		1	COVER, ENGINE W/BRACKET, RETAINER AND TILT HANDLE
-	569712		1	COVER, ENGINE - COMPLETE. INCLUDES ALL ITEMS MARKED WITH AN ASTERISK (*)
7	A569397		1	DECAL, "CHRYSLER", PORT W/LITERATURE
-	569396		1	DECAL, "CHRYSLER", STARBOARD W/LITERATURE
8	F343612		1	BRACKET, REMOTE CONTROL
9	A286480		1	RETAINER, ENGINE COVER. INCLUDES SCREWS AND NUTS
10	F1979		6	SCREW PAN HD., 10 - 24 X 1/2
11	7011		6	NUT, ELASTIC STOP, 10 - 24
12	F98273		1	STUD, GEAR SHIFT ROD CONNECTOR
13	F8058		1	LOCKWASHER, INTERNAL TOOTH
14	F307818		6	BEARING
15	F286876		1	LEVER, GEAR SHIFT
16	8542		1	SPRING PIN
17	F286871		1	PIN, GEAR SHIFT LEVER
18	F392756		1	PACKING, SUPPORT PLATE
19	F540038		1	PLATE, SUPPORT, INCLUDING PLUGS
20	7011		1	NUT, STOP, 10 - 24
21	1971		1	HEX CAP SC. 1/4 - 20 X 2-1/8
22	F286989-2		1	SEAL, SUPPORT PLATE
23	F404446		1	CLAMP, CABLE
24	F197767-1		1	BUSHING, FUEL LINE
25	2012		1	PLAIN WASHER
26	A286469		1	KNOB, COVER LATCH
27	F1341		1	HEX NUT 1/4 - 20
28	F8011		4	PLAIN WASHER
29	F286777		1	CAM, COVER LATCH
30	7006		1	NUT, STOP, 5/16 - 18
31	F1733		1	PAN HD M.S. 10 - 24 X 9/16
32	A538395		1	PLATE, IDENTIFICATION, INCLUDES SCREWS
33	F1447		2	SCREW, DRIVE
34	1473		4	HEX NUT 10 - 24
40	F269316		1	SHAFT, ROLLER
41	F92759		1	ROLLER
42	F286774-1		1	BRACKET, COVER LATCH. INCLUDES SCREWS, NUTS AND ROLLERS

CONTINUED ON NEXT PAGE ➡

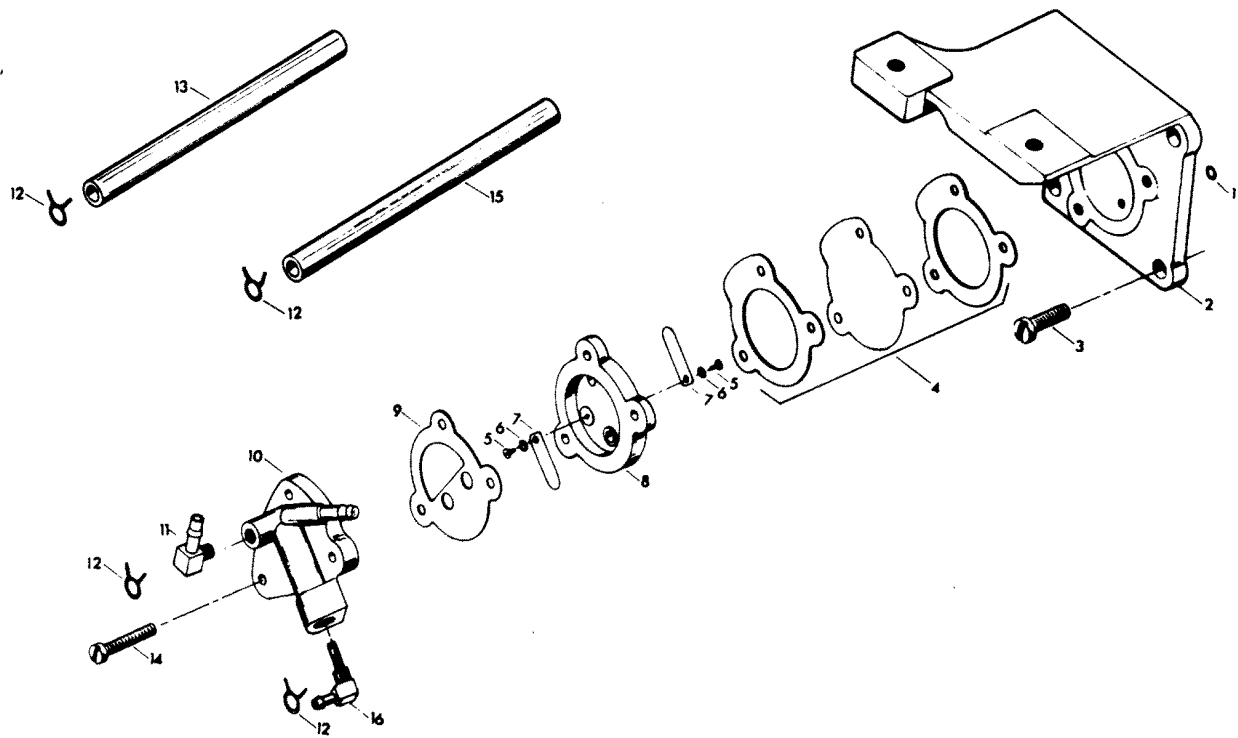
ENGINE COVER AND SUPPORT PLATE



ENGINE COVER AND SUPPORT PLATE

REF. NO.	PART NO.	SYM.	QTY.	DESCRIPTION
43	A540528		1	DECAL, ENGINE COVER, REAR W/LITERATURE
44	F487711		1	PLATE, ENGINE COVER
47	F94840		1	GROMMET, BATTERY CABLE
48	F510661		1	PAD, STARTER MOTOR
49	A565392		2	DECAL, SAILOR W/LITERATURE

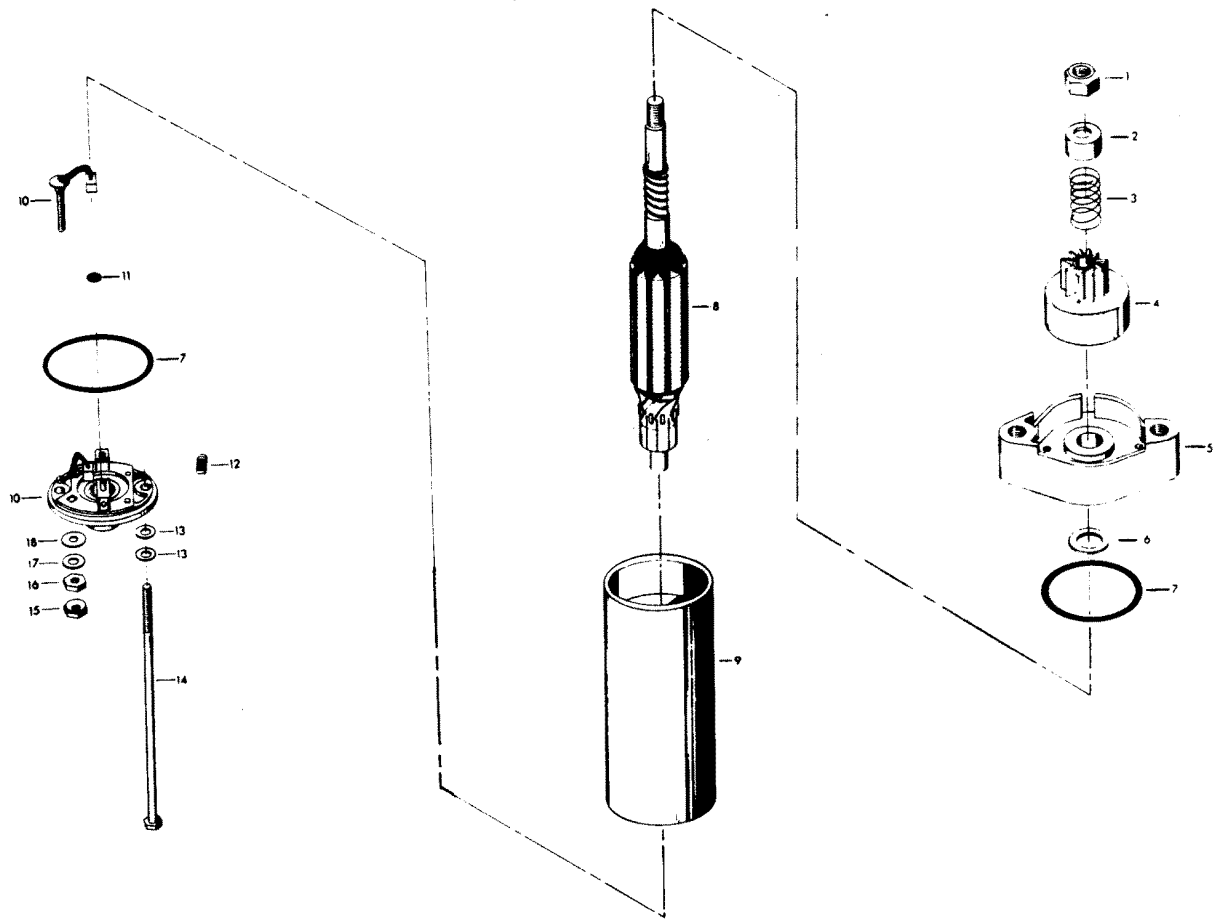
FUEL PUMP



FUEL PUMP

REF. NO.	PART NO.	SYM.	QTY.	DESCRIPTION
1	F455118		1	SEAL, FUEL PUMP BRACKET
2	F510427		1	BRACKET, STARTER SUPPORT
3	1577		4	FILL HD SCREW, 1/4 - 20 X 3/4
4	F24747-1		1	FUEL PUMP DIAPHRAGM W/GASKETS
5	1286		2	PAN HD SCREW, 4 - 40 X 3/16
6	F8003		2	PLAIN WASHER
7	F18160-2		2	REED, FUEL PUMP
8	24757		1	FUEL PUMP REED PLATE W/REEDS AND SCREWS
9	24748-1		1	GASKET, FUEL PUMP
10	F510746		1	FUEL PUMP COVER
11	2738314-1		1	FITTING, FUEL PUMP
12	F2706772		4	HOSE CLAMP
13	F2771254		1	HOSE, FUEL PUMP TO CARBURETOR
14	F1069		3	FILL HD SCREW, 10 - 24 X 1 1/16
15	F2752253		1	HOSE, FUEL PUMP TO BUSHING
16	F510811		1	FILTER, FUEL PUMP

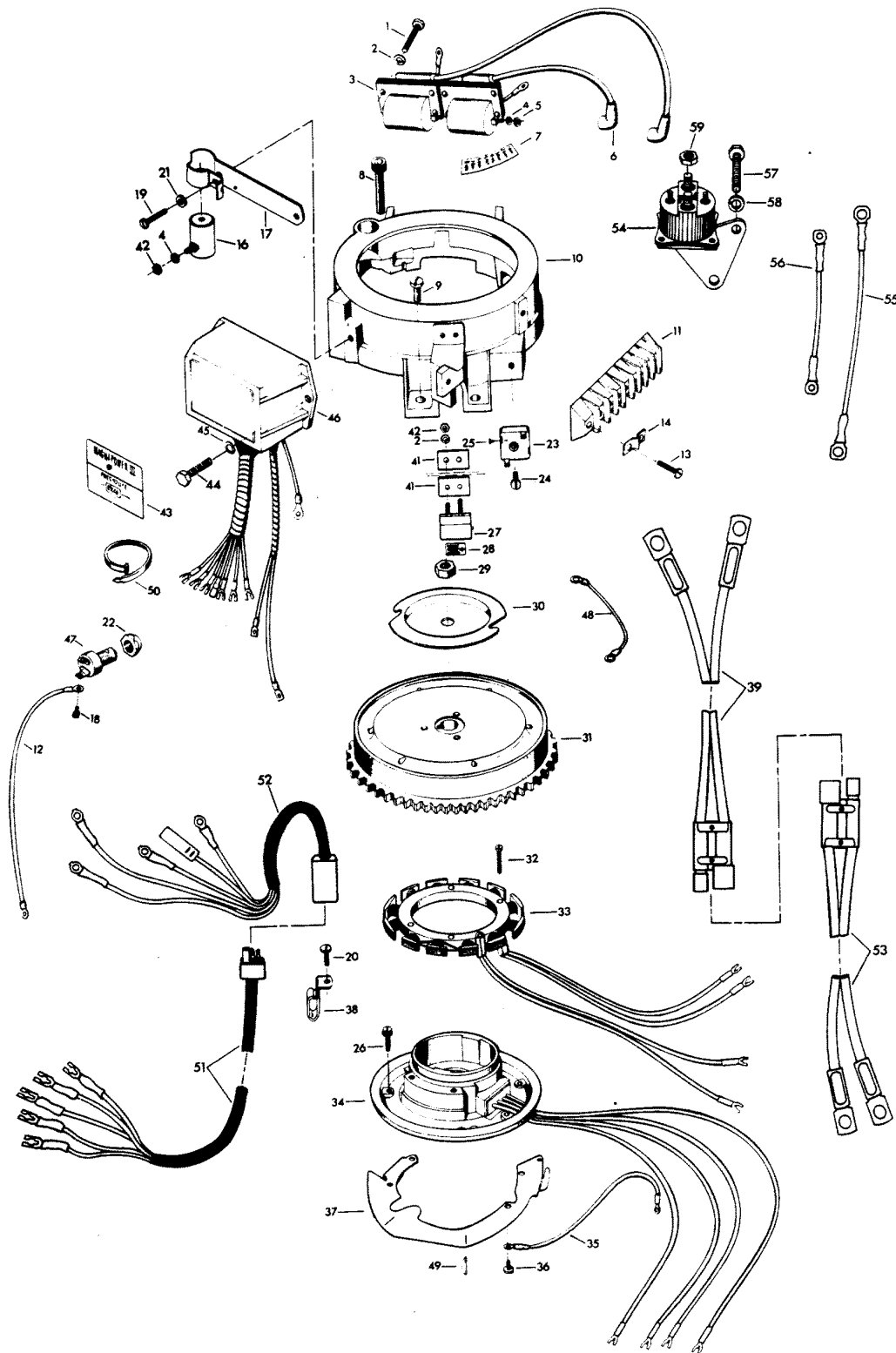
ELECTRIC STARTER



ELECTRIC STARTER

REF. NO.	PART NO.	SYM.	QTY.	DESCRIPTION
1	F15142		1	STOP NUT
2	F15141		1	PINION STOP
3	F15140		1	SPRING
4	F15139		1	PINION ASSEMBLY
5	F15135		1	CAP ASSEMBLY, DRIVE END
6	F15137		1	WASHER
7	F15145		2	GASKET
8	F15134		1	ARMATURE
9	15136		1	HOUSING ASSEMBLY
10	F15127		1	CAP ASSEMBLY, COMMUTATOR END. INCLUDES ITEMS 15, 16, 17 AND 18
11	F15143		1	DISC
12	F15138		2	SPRING, BRUSH
13	F15146		4	WASHER
14	F15144		2	SCREW, THRU BOLT
15	F15129		1	NUT W/LOCKWASHER
16	F15130		1	NUT
17	15133		1	WASHER
18	15132		1	WASHER, FIBER
-	F510955		1	STARTER MOTOR - COMPLETE. INCLUDES ALL ITEMS MARKED WITH AN ASTERISK (*)
-	520390		1	DECAL, STARTER - CANADA (NOT SHOWN)

ELECTRICAL COMPONENTS

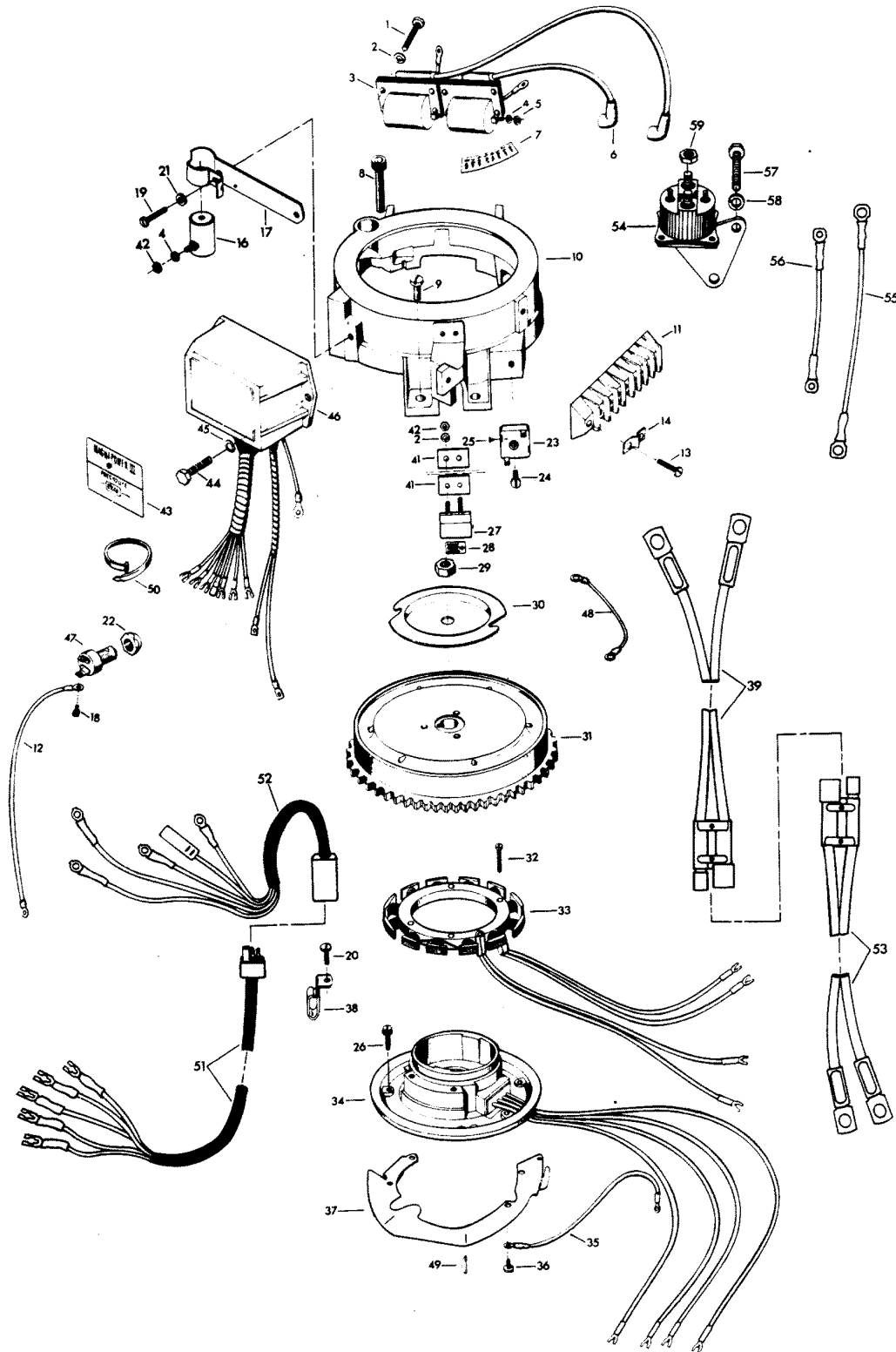


ELECTRICAL COMPONENTS

REF. NO.	PART NO.	SYM.	QTY.	DESCRIPTION
1	1829		8	FILL HD M. SCREW, 10 - 24 X 7/8
2	F1975		12	SPRING LOCKWASHER
3	F510475		2	IGNITION COIL
4	1704		2	INTERNAL TOOTH LOCKWASHER
5	F1337		2	HEX NUT, 6 - 32
6	750-3		2	SPARKIE W/SPRING
7	F510398		1	DECAL, WIRING
-	F510398		1	DECAL, WIRING - CANADA
8	F1646		2	HEX SOCKET HD CAP SCREW, 3/8 - 16 X 2 1/4
9	1577		4	FILL HD SCREW, 1/4 - 20 X 3/4
10	F510675-1		1	STARTER SUPPORT
11	F289497-2		1	TERMINAL BLOCK W/ILLUSTRATION 13
12	F510841		2	WIRE, STARTER INTERLOCK SWITCH
13	F1648		2	PAN HD SCREW, 10 - 24 X 3/4
14	F307317		1	CLIP, TERMINAL BLOCK GROUND
15	F540908		1	WIRE, GROUND RECTIFIER TO TERM. & LOCK
16	F517924		1	CHOKE SOLENOID
17	F517317		1	CLAMP CHOKE SOLENOID
18	1556		2	FILL HD M. SCREW W/SPRING LOCKWASHER, 10 - 24 X 3/8
19	F1112		1	SLOTTED FILL HD. M. S. 1/4 - 20 X 7/8
20	F1802		3	FILL HD SCREW, 1/4 - 20 X 9/16
21	2012		1	PLAIN WASHER
23	F510450-1		1	RECTIFIER
24	F1303		1	SLOTTED PAN HD M. SCREW, 8/32 X 3/4
25	F1645		4	RD HD THREAD CUTTING SCREW, 6 - 32 X 1/4
26	F1090		4	FILL HD SCREW W/SPRING LOCKWASHER, 10 - 24 X 9/16
27	F510460		1	CIRCUIT BREAKER
28	F510374		1	DECAL, CIRCUIT BREAKER
-	F510374		1	DECAL, CIRCUIT BREAKER - CANADA
29	F1809		1	HEX NUT
30	F901456-1		1	EMERGENCY STARTER COLLAR
31	F510097		1	FLYWHEEL
32	F1678		4	FILL HD SCREW, 10 - 24 X 13/16
33	F510095		1	STATOR, ALTERNATOR
34	F510029		1	STATOR, TRIGGER
35	F404908		1	GROUND WIRE
36	F1075		4	FILL HD SCREW, 10 - 24 X 1/2
37	F286192		1	THROTTLE CAM
38	F510446		1	CLAMP, BATTERY CABLE
39	F540896		1	BATTERY CABLE
40	F517683		1	WIRE, STARTER INT. SW. TO STARTER RELAY
41	F510595		2	INSULATOR, CIRCUIT BREAKER
42	F1513		2	HEX NUT, 10 - 32

CONTINUED ON NEXT PAGE ➡

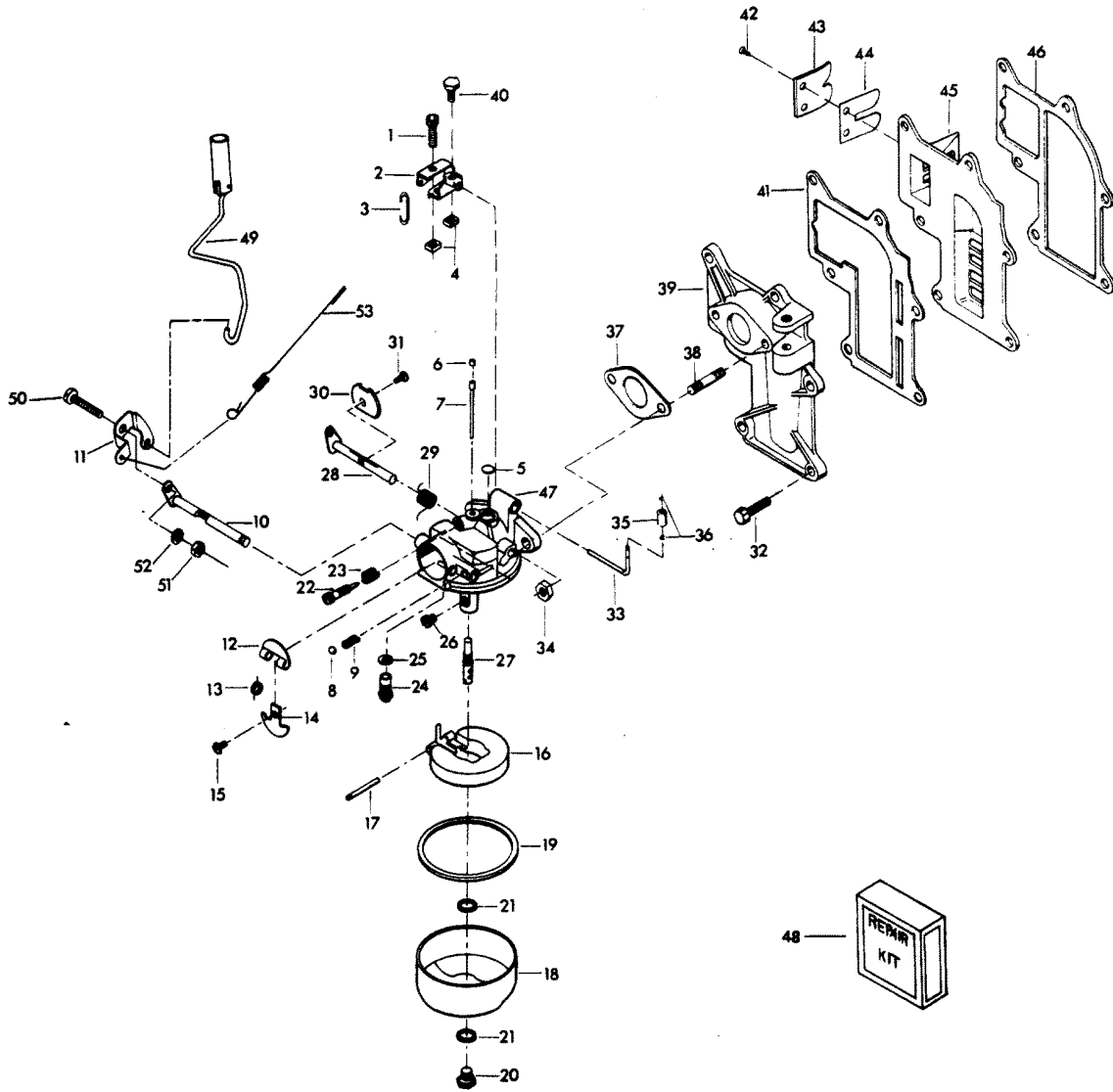
ELECTRICAL COMPONENTS



ELECTRICAL COMPONENTS

REF. NO.	PART NO.	SYM.	QTY.	DESCRIPTION
43	510373-1		1	DECAL, MAGNAPOWER III
44	F1999		2	HEX CAP SCREW, 1/4 - 20 X 7/8
45	F8083		1	SPRING LOCKWASHER
46	F510301		1	C-D MODULE
47	F510449		1	NEUTRAL INTERLOCK SWITCH
48	F510683		1	WIRE, RECTIFIER - CIRCUIT BREAKER
49	F458498		1	KEY, FLYWHEEL
50	F1845		5	TY-RAP
51	F539896		1	CABLE ELECTRIC REMOTE EXTENSION
52	F540843		1	CABLE, ELECTRIC REMOTE
53	F539896		1	CABLE, BATTERY EXTENSION
54	F517917		1	RELAY STARTER
55	F321908		1	WIRE, GROUND STARTER RELAY
56	F540683		1	WIRE STARTER TO STARTER RELAY
57	2050		2	HEX CAP SC. 1/4 - 20 X 1-1/2
58	F8096		2	SPRING LOCKWASHER
59	1515		2	HEX NUT 5/16 - 18

FUEL SYSTEM

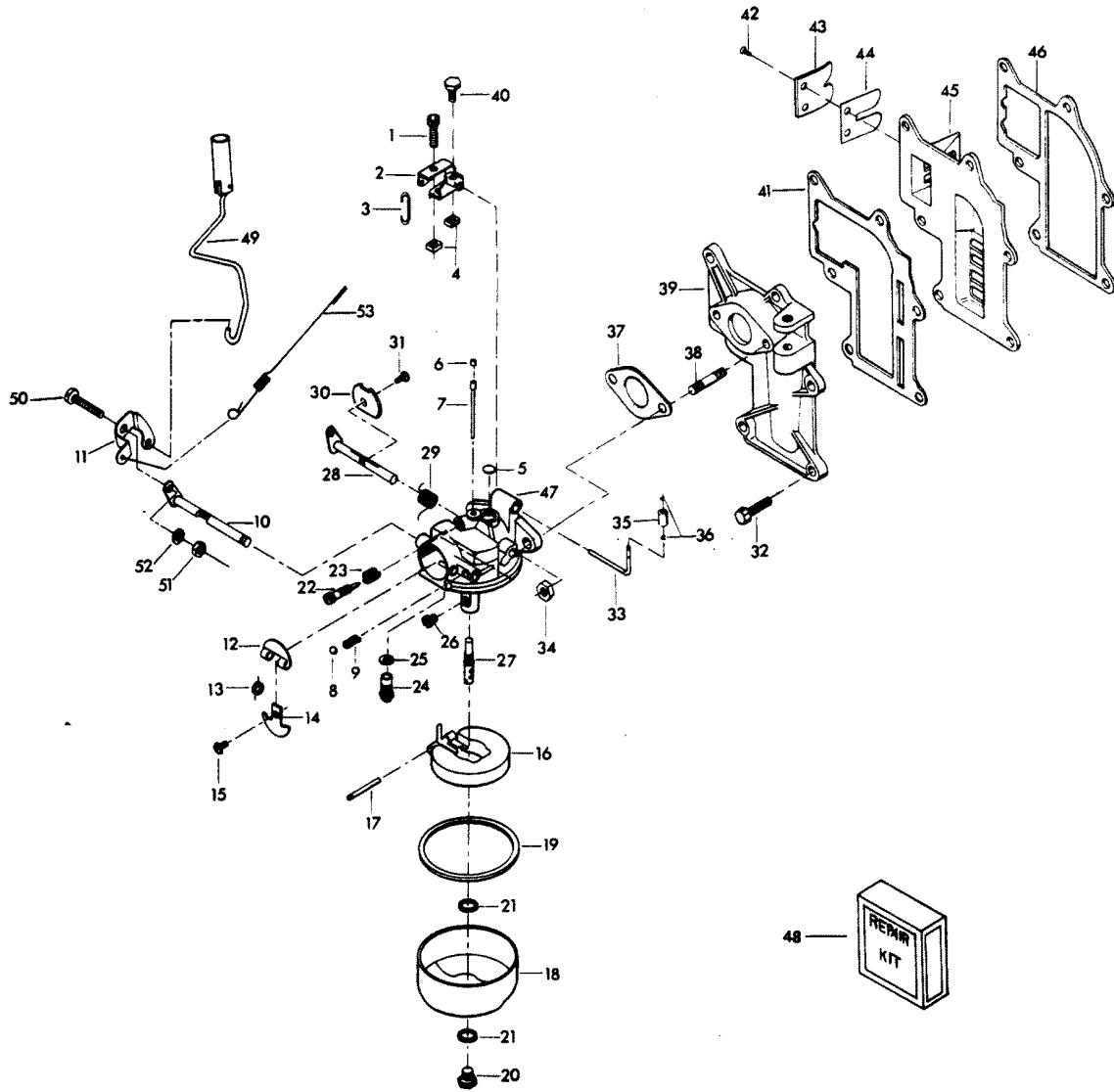


FUEL SYSTEM

REF. NO.	PART NO.	SYM.	QTY.	DESCRIPTION
1	F1834		1	FILL HD SCREW, 10 - 24 X 7/8
2	A286190		1	ARM, CARBURETOR FOLLOWER
3	F66193		1	THROTTLE LINK
4	F1365		2	SQUARE NUT, 10 - 24
5	02531		1	BODY CHANNEL WELCH PLUG
6	O10588		1	BODY CHANNEL CUP PLUG
7	015522		2	BYPASS TUBE
8	04784		1	CHOKE FRICTION BALL
9	08805		1	CHOKE FRICTION SPRING
10	015736		1	CHOKE SHAFT AND LEVER
11	F517502		1	LEVER, REMOTE CHOKE
12	015368		1	CHOKE RELIEF VALVE
13	015783		1	CHOKE RELIEF VALVE SPRING
14	015367		1	CHOKE SHUTTER
15	010280		1	CHOKE SHUTTER RETAINER SCREW AND LOCKWASHER
16	O13554		1	FLOAT
17	O13944		1	FLOAT LEVER PIN
18	015366		1	FUEL BOWL
19	O15623		1	FUEL BOWL GASKET
20	013945		1	FUEL BOWL RETAINING SCREW
21	02510		2	FUEL BOWL RETAINING SCREW GASKET
22	015520		1	IDLE MIXTURE SCREW
23	O11103		1	IDLE MIXTURE SCREW SPRING
24	010790		1	INLET NEEDLE, SEAT AND GASKET
25	010165		1	INLET SEAT GASKET
26	011722		1	JET MAIN FUEL JET STD. .055 SEA LEVER - 3000 FT.
-	011765		-	MAIN FUEL JET OPT. .053 3000 FT. - 6000 FT.
-	011764		-	MAIN FUEL JET OPT. .051 6000 FT. & UP OPTIONAL SIZE MAIN FUEL JETS ARE TO BE USED ONLY AT ALTITUDES INDICATED.
27	015525		1	MAIN NOZZLE
28	015757		1	THROTTLE SHAFT AND LEVER
29	015526		1	THROTTLE SHAFT RETURN SPRING
30	016878		1	THROTTLE SHUTTER
31	010280		1	THROTTLE SHUTTER RETAINING SCREW AND LOCKWASHER
32	F1914		4	HEX HD SCREW, 1/4 - 20 X 3/4
33	F286316		1	THROTTLE CAM FOLLOWER
34	F1490		2	HEX NUT, 1/4 - 20
35	78318		1	ROLLER, THROTTLE CAM FOLLOWER
36	78410		2	RETAINER
37	F18906		1	CARBURETOR GASKET
38	F2788004		2	STUD, CARBURETOR
39	2A424167		1	MANIFOLD W/STUDS AND PULLEY
40	1912		1	HEX HD SCREW, 10 - 24 X 1/2

CONTINUED ON NEXT PAGE ➡

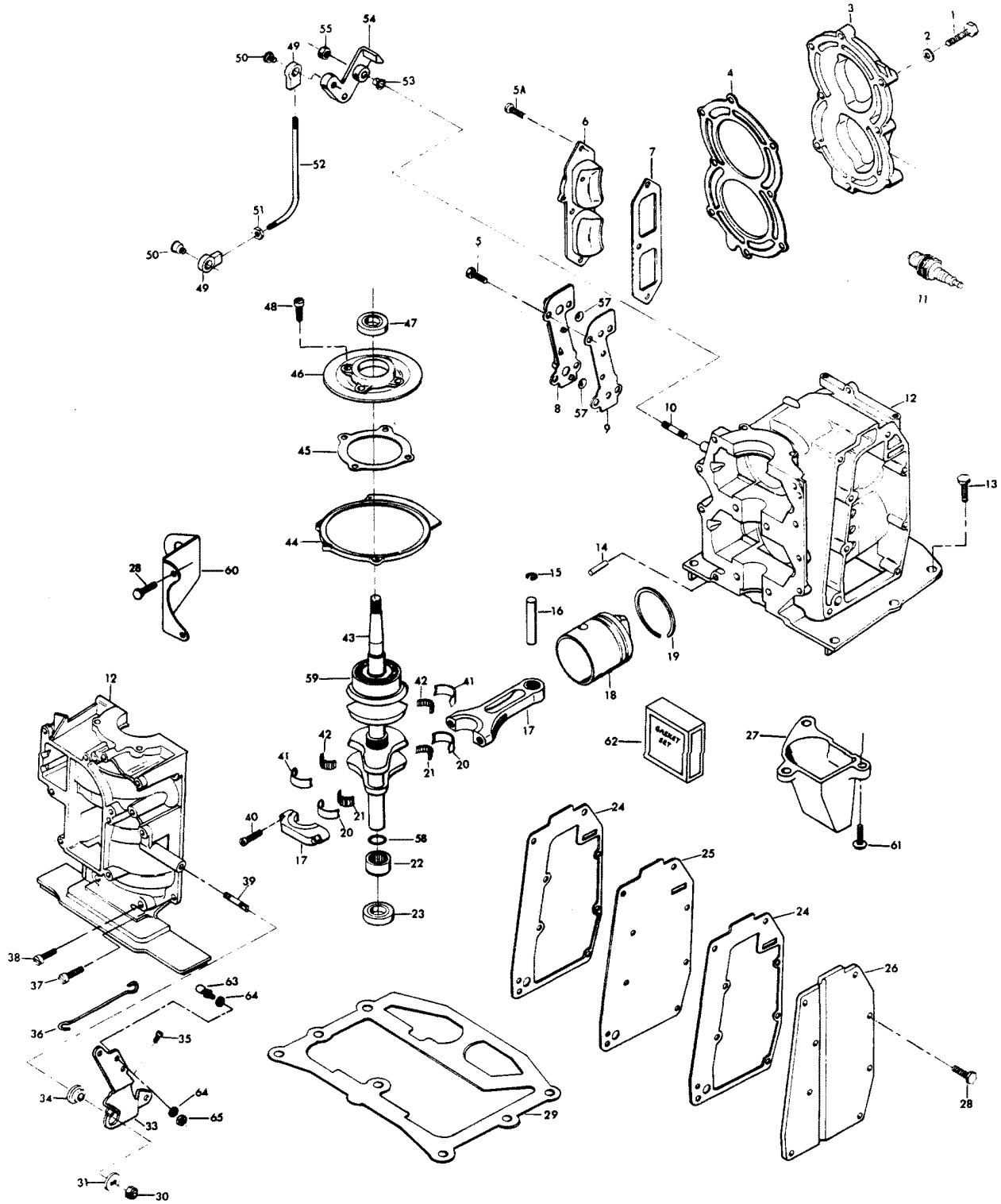
FUEL SYSTEM



FUEL SYSTEM

REF. NO.	PART NO.	SYM.	QTY.	DESCRIPTION
41	F424168-1		1	GASKET, MANIFOLD
42	F1755		8	RD HD SCREW W/LOCKWASHER, 6 - 32 X 5/16
43	F424161		4	REED STOP
44	F31160-1		4	REED
45	A424158		1	REED PLATE W/REEDS, STOPS AND SCREWS
46	F286159-1		1	GASKET, REED PLATE
47	F477061		1	CARBURETOR COMPLETE
-	F10006		1	GASKET SET, CARBURETOR (NOT SHOWN)
48	F10007		1	REPAIR PARTS KIT, CARBURETOR. INCLUDES ALL ITEMS MARKED WITH AN ASTERISK (*)
49	F517925		1	ROD, CHOKE SOLENOID
50	1558		1	SLOTTED HD. M. S. 10 - 24 X 3/8
51	1473		1	HEX NUT 10 - 24
52	F8058		1	TOOTH LOCKWASHER
53	F517846		1	SPRING, REMOTE CHOKE

POWER HEAD

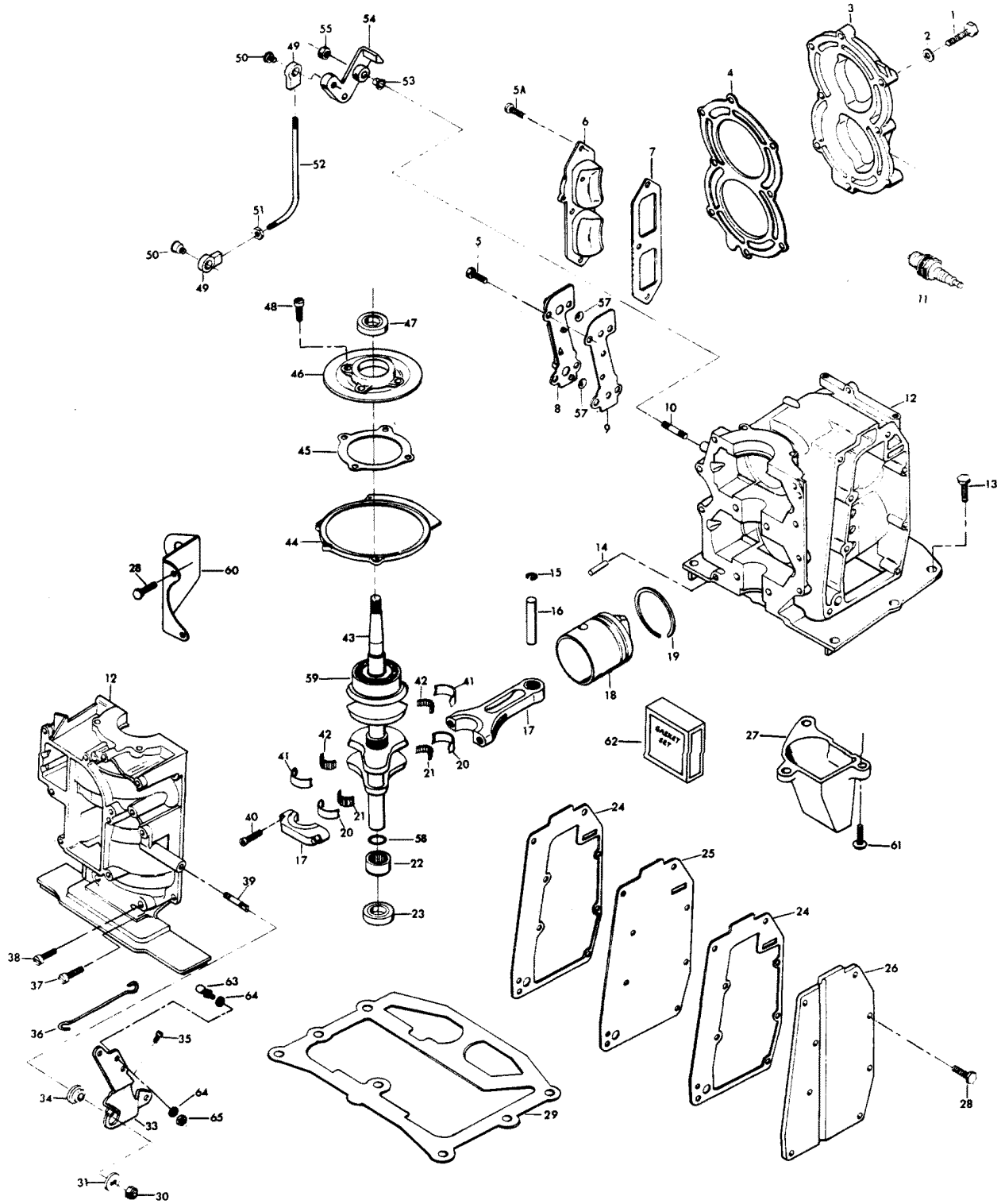


POWER HEAD

REF. NO.	PART NO.	SYM.	QTY.	DESCRIPTION
1	F901938-1		8	SCREW, CYLINDER HEAD
2	F8025		8	PLAIN WASHER
3	F492518		1	HEAD, CYLINDER
4	F286529-3		1	GASKET, CYLINDER HEAD
5	F1922		4	HEX HD SCREW, 1/4 - 20 X 5/8
5A	F510165		3	SCREW
-	1859		1	HEX SOCKET HEADLESS SET SCREW, 1/4 - 28 X 3/16 (TRANSFER PORT COVER)
6	F510222		1	COVER, TRANSFER PORT
7	F286223		1	GASKET, TRANSFER PORT COVER
8	42947--1		1	COVER, CYLINDER DRAIN W/CHECK VALVES AND SCREWS
9	F429472		1	GASKET, CYLINDER DRAIN COVER
10	F28004		1	STUD, INTERLOCK LEVER
11	F174227		2	PLUG, SPARK, L-4-J
-	503227		2	SPARK PLUG (QL-77J4) CANADA
12	A510010		1	CYLINDER W/CRANKCASE COVER, CUYLINDER DRAIN COVER, DOWLE PINS, SCREWS & STUDS.
-	510010-1		1	SHORT BLOCK (NOT SHOWN). INCLUDES ALL ITEMS MARKED WITH AN ASTERISK (*)
13	1823		6	HEX CAP SCREW, 5/16 - 18 X 1
14	F8559		2	DOWEL PIN
15	31410		4	RETAINING RING, PISTON PIN
16	F174017		2	PIN, PISTON
17	A4		2	ROD, CONNECTING W/CAP AND SCREWS, CRANKPIN ROLLER AND CAGE
18	F286015-3		2	PISTON
19	F174260		2	PISTON RING SET (2 PER SET)
20	A525241		2	CRANKPIN ROLLER BEARING CAGE
21	525228		2	ROLLER SET, CONNECTING ROD (16 PER SET)
22	F343014		1	BEARING, CRANKSHAFT LOWER MAIN
23	F141118		1	SEAL, CRANKSHAFT LOWER
24	F286154		2	GASKET, EXHAUST COVER
25	F286151		1	PLATE, EXHAUST
26	F286152		1	COVER, EXHAUST
27	F487660-1		1	EXHAUST TUBE
28	F1915		10	HEX HD SCREW, 1/4 - 20 X 7/8
29	F286279-2		1	GASKET, CYLINDER MOUNTING
30	F1803		1	STOP NUT, 5/16 - 24
31	F286282		1	WASHER
33	F286081-1		1	LEVER, MAGNETO CONTROL ASSEMBLY
34	F183813		1	BEARING, MAGNETO CONTROL LEVER
35	F1504		1	FILL HD SCREW, 1/4 - 20 X 1 1/4
36	F286509		1	LINK, THROTTLE CAM
37	F1107		8	FILL HD SCREW, 1/4 - 20 X 3/4

CONTINUED ON NEXT PAGE ➡

POWER HEAD



POWER HEAD

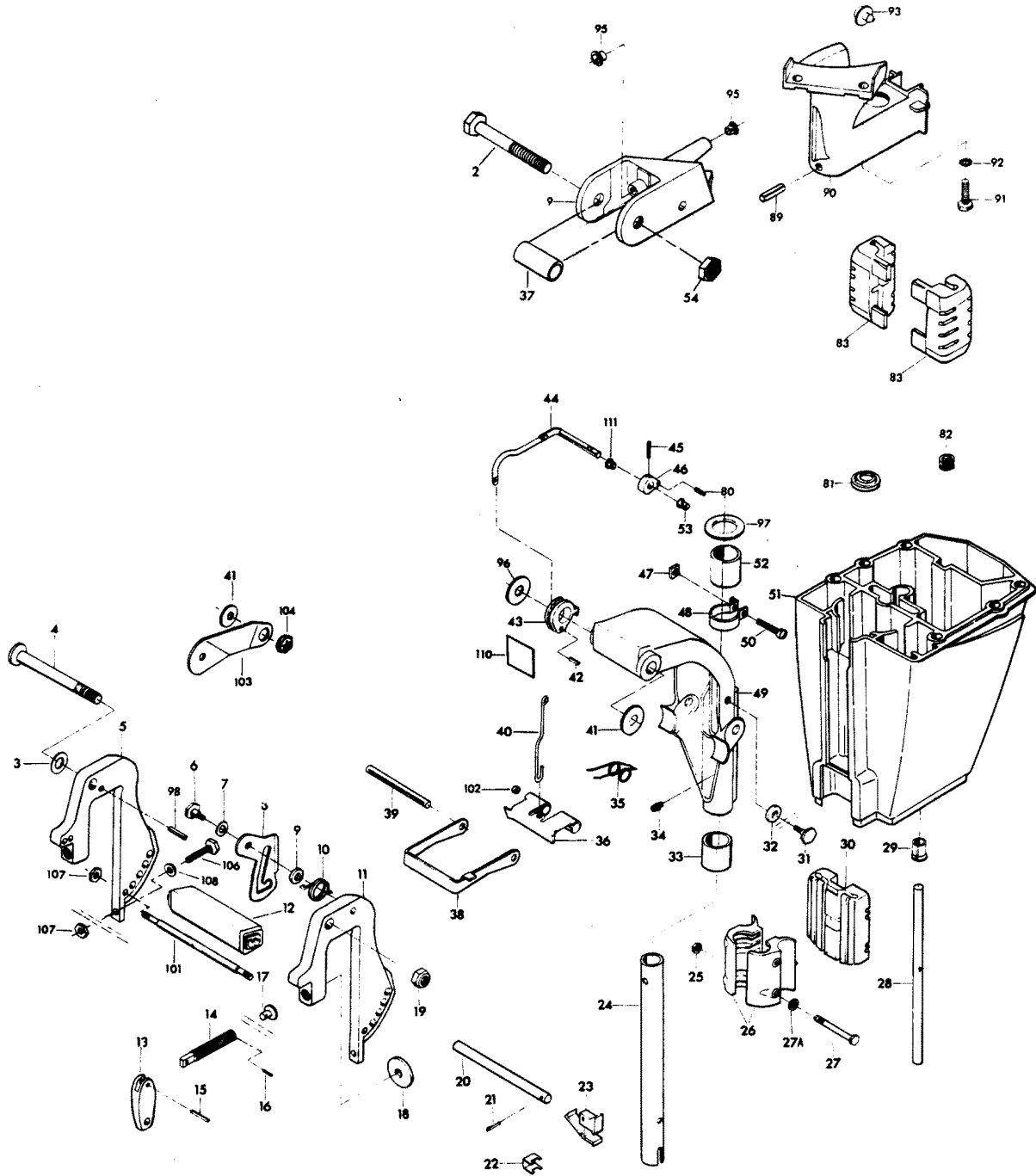
REF. NO.	PART NO.	SYM.	QTY.	DESCRIPTION
38	1335		4	FILL HD SCREW, 5/16 - 18 X 1 1/4
39	F286440		1	STUD, MAGNETO CONTROL LEVER
40	36634		4	SCREW, CONNECTING ROD
41	F286155		1	MAIN BEARING LINER SET (2 PER SET)
42	F286571		1	ROLLER SET, MAIN BEARING (26 PER SET)
43	F286018-3		1	CRANKSHAFT W/UPPER MAIN BEARING
44	73082		1	RING, MAGNETO STATOR
45	F286277		1	GASKET, CRANKSHAFT BEARING CAGE
46	A286144		1	CAGE, CRANKSHAFT BEARING W/SEAL
47	F346146		1	SEAL, CRANKSHAFT UPPER
48	F1111		4	FILL HD SCREW, 1/4 - 20 X 7/8
49	F84035-2		2	BEARING, INTERLOCK ROD
50	F84026		2	SWIVEL, INTERLOCK ROD BEARING
51	F1339		1	HEX NUT, 10 - 24
52	F510531		1	ROD, INTERLOCK
53	F197813		1	BEARING, INTERLOCK LEVER
54	F517977-1		1	LEVER, INTERLOCK
55	7008		1	STOP NUT, 1/4 - 20
57	F429811		2	SCREEN
58	F461342		1	SEAL, DRIVESHAFT SPLINE
59	F286028-1		1	BEARING, CRANKSHAFT UPPER MAIN
60	F510551		1	BRACKET, INTERLOCK SWITCH
61	F2040		3	TAPTITE HEX WASHER HD SCREW, 1/4 - 20 X 5/8
62	G1		1	GASKET SET. INCLUDES ITEMS LISTED BELOW
-	F18906		1	CARBURETOR GASKET
-	F286154		2	GASKET EXHAUST COVER
-	F286159-1		1	GASKET, REED PLATE
-	F286223		1	GASKET, TRANSFER PORT COVER
-	F286277		1	GASKET, CRANKSHAFT BEARING CAGE
-	F286279-2		1	GASKET, CYLINDER MOUNTING
-	F286529-3		1	GASKET, CYLINDER HEAD
-	F424168-1		1	GASKET, MANIFOLD
-	F429472		1	GASKET, CYLINDER DRAIN COVER
63	98278		1	STUD, REMOTE THROTTLE CONNECTOR
64	F8058		2	INTERNAL TOOTH LOCK WASHER
65	F1513		1	HEX NUT 10 - 32

MOTOR LEG

REF. NO.	PART NO.	SYM.	QTY.	DESCRIPTION
1	F286078-2		1	STEERING HANDLE BRACKET W/GREASE FITTING
2	F517552		1	SCREW, STEERING HDL. BRKT.
3	F8039		1	PLAIN WASHER
4	F286037		1	STERN BRACKET PIVOT BOLT
5	K517032		1	STERN BRACKET W/CLAMP SCREW AND FOOT
6	F286422-1		1	TILT LOCK PIVOT
7	F1666		1	BOWED SPRING WASHER
8	F429541		1	TILT LOCK
9	F286451		1	SPACER, TILT LOCK
10	F286544-1		1	SPRING, TILT STOP
11	K517532		1	STERN BRACKET PORT W/CLAMP SCREW AND FOOT
12	F286647		1	CARRYING HANDLE
13	F424075		2	HANDLE, CLAMP SCREW
14	F298073-2		2	CLAMP SCREW W/FOOT AND STUD
15	F8554		2	SPRING PIN
16	F8537		2	SPRING PIN
17	F66480		2	STUD CLAMP SCREW
18	F24074		2	CLAMP SCREW FOOT
19	7005		1	STOP NUT, 3/8 - 16
20	F286113		1	LOCK BAR W/HANDLE AND SPRING
21	8540		1	SPRING PIN
22	F286461		1	SPRING, LOCK BAR HANDLE
23	F286114		1	LOCK BAR HANDLE
24	F286019		1	KING PIN
25	F1341		2	HEX NUT, 1/4 - 20
26	F286956		2	BRACKET, SHOCK MOUNT LOWER
27	F1844		2	HEX NUT, 1/4 - 20 X 2-3/8
27A	F8083		1	SPRING LOCKWASHER
28	F286244		1	WATER LINE
29	F286914		1	SLEEVE WATER LINE
30	F286346-1		1	SHOCK MOUNT LOWER
31	F286422-1		1	TILT LOCK PIVOT
32	F286451		1	SPACER, TILT LOCK
33	F286169		1	BEARING, SWIVEL BRACKET.
34	F213274		2	GREASE FITTING
35	F286300		1	SPRING, REVERSE LOCK
36	F516349		1	REVERSE LOCK
37	F516451		1	SPACER, STEERING HDL. BRKT.
38	F286433		1	BRACKET SHALLOW WATER DRIVE
39	F1806		1	GROOVE PIN
40	F341510		1	LINK, REVERSE LOCK LEVER W/LITERATURE
41	F286286-1		2	WASHER, STERN BRACKET
42	F1794		1	SPRING PIN

CONTINUED ON NEXT PAGE ➡

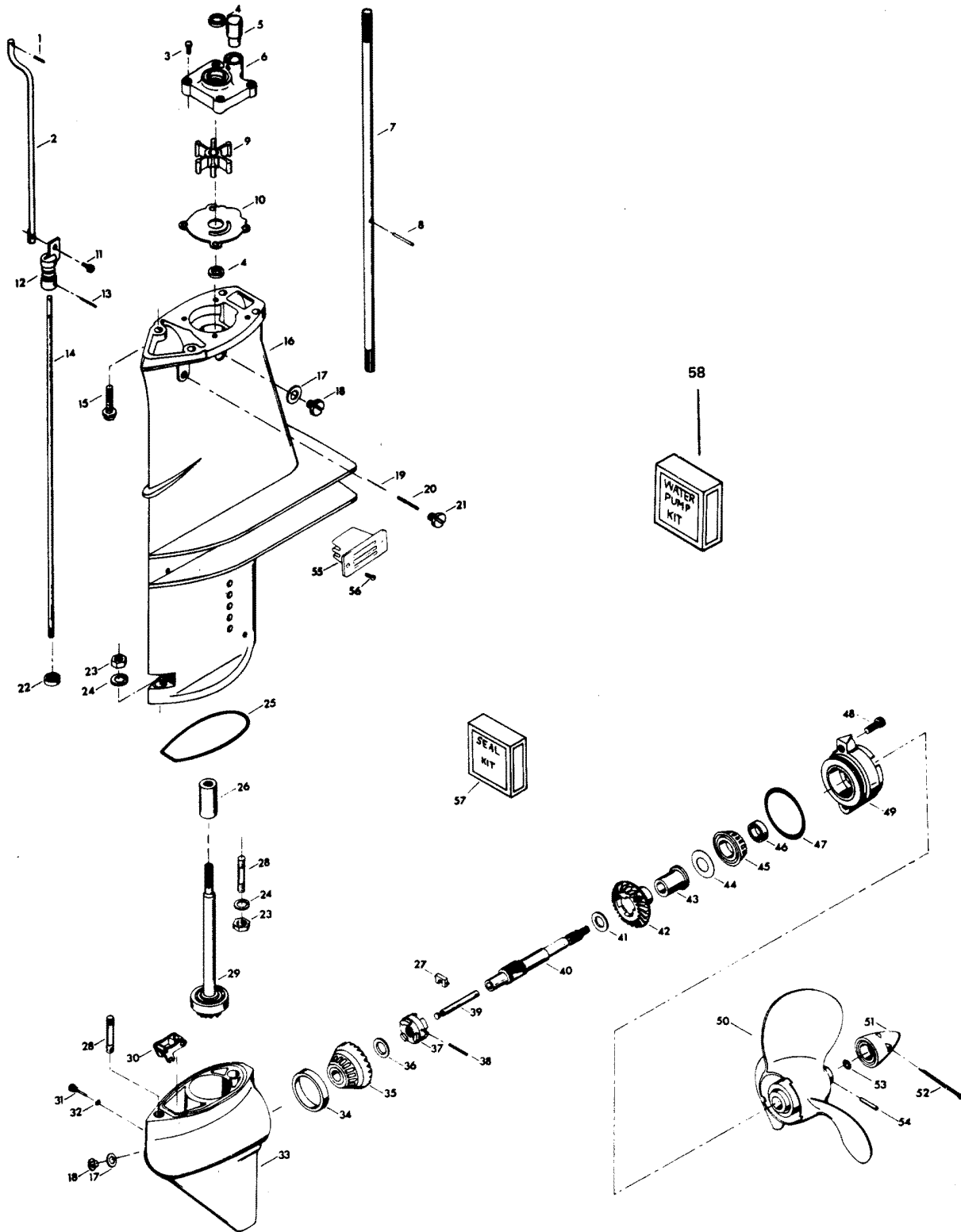
MOTOR LEG



MOTOR LEG

REF. NO.	PART NO.	SYM.	QTY.	DESCRIPTION
43	F286827		1	REVERSE LOCK RELEASE LEVER
44	F387742		1	LEVER, REVERSE LOCK INTERMEDIATE ASSEMBLY
45	8538		1	SPRING PIN
46	F286364		1	LEVER, REVERSE LOCK
47	1608		1	SQUARE NUT, 1/4 - 20
48	F286573-1		1	CLAMP, STEERING HANDLE
49	A286072		1	SWIVEL BRACKET W/GREASE FITTING
50	F1820		1	FILL HD SCREWS, 1/4 - 20 X 1-3/8
51	F477133		1	MOTOR LEG W/ITEMS 48, 49 & 81
52	F286169		1	BEARING, SWIVEL BRACKET
53	F197813		2	BEARING
54	7025		1	LOCK NUT 3/8 - 16
80	F1794		1	SPRING PIN
81	F901307-2		1	SEAL, WATER LINE UPPER
82	F286414		1	SPRING, LEG WATER BRACKET
83	F517347		2	SHOCK MOUNT UPPER
89	1805		1	SPRING PIN
90	F286582		1	STEERING ARM W/SPRING PIN & BUMPER
91	F1502		2	HEX CAP SCREW, 1/4 - 20 X 5/8
92	F8060		2	EXTERNAL TOOTH LOCKWASHER
93	F286539		1	BUMPER
96	F525286		1	WASHER
97	F286011		1	WASHER, SWIVEL BRACKET
98	8538		1	SPRING PIN
101	F517273		1	TIE BAR
102	F516677		2	SPACER, REVERSE LOCK
103	F517078		1	BRACKET, LOCK STEERING
104	F516697		1	NUT, STEERING LOCK BRACKET
106	F1887		2	HEX SLOTTED HD SCREW, 1/4 - 20 X 3 3/16
107	7024		4	LOCK NUT
108	2012		2	PLAIN WASHER
110	F286585-1		1	DECAL, TILT RELEASE
-	F286585-1		1	DECAL, TILT RELEASE - CANADA

GEAR HOUSING

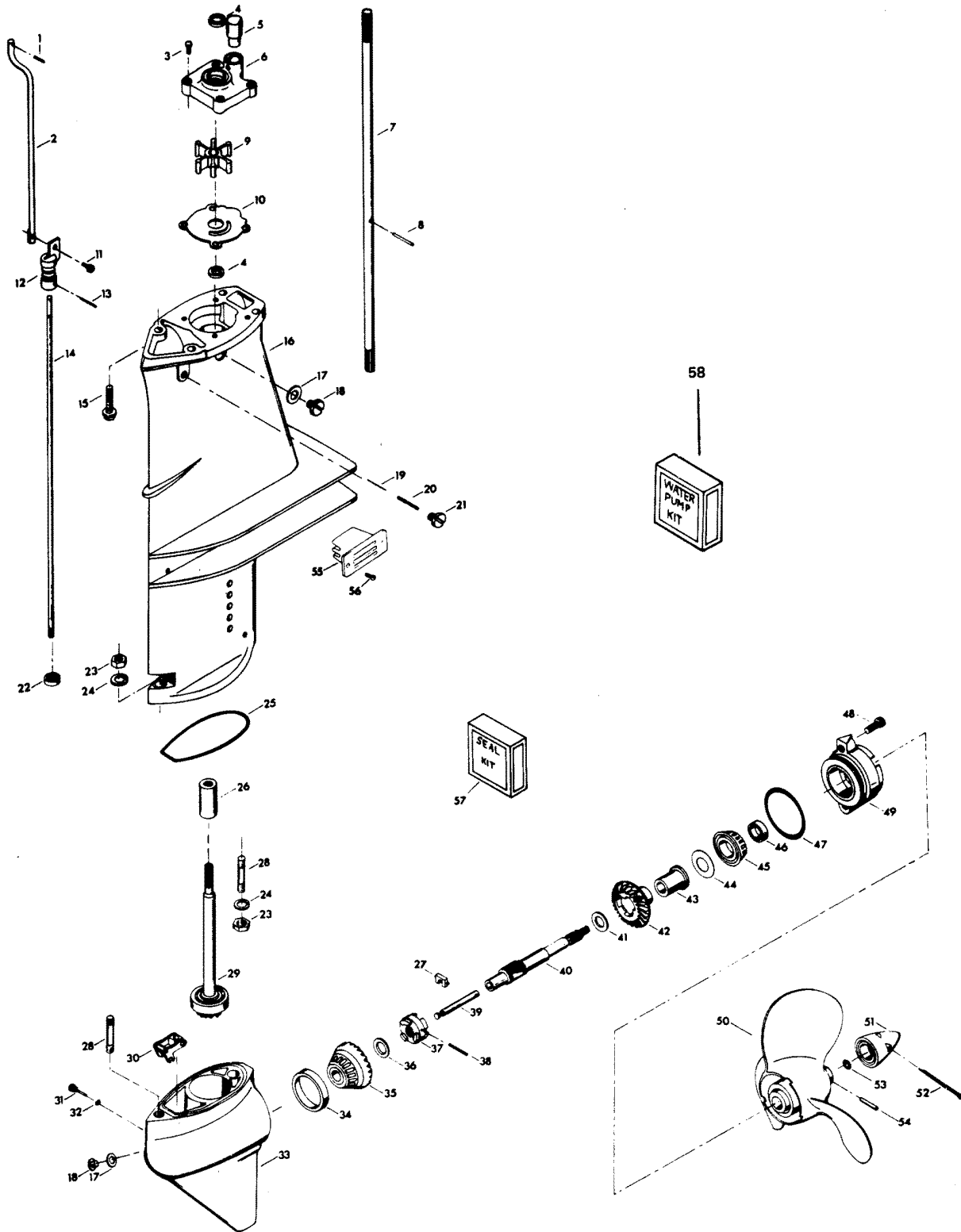


GEAR HOUSING

REF. NO.	PART NO.	SYM.	QTY.	DESCRIPTION
1	8542		1	SPRING PIN
2	F286615		1	GEAR SHIFT ROD, UPPER
3	F2030		4	HEX HD SCREW, 1/4 - 20 X 1 1/4
4	F901307-2		2	SEAL
5	F510914		1	SEAL, INLET WATER LINE
6	A504060		1	WATER PUMP BODY W/WATER PUMP SEAL
7	F343128		1	DRIVESHAFT
8	F901563		1	WATER PUMP IMPELLER DRIVE PIN
9	F436065-1		1	WATER PUMP IMPELLER
10	F341562		1	WATER PUMP BACK PLATE
11	F1976		1	SOCKET HD SCREW W/WASHER, 10 - 24 X 1/2
12	F516704-1		1	COUPLING SHIFT ROD
13	8540		1	SPRING PIN
14	F516705		1	GEAR SHIFT ROD, LOWER
15	F430732		4	HEX HD SCREW, 5/16 - 18 X 1 1/4
16	517554-3		1	GEAR HOUSING UPPER W/BEARING, SEALS WASHER, PLUG AND ANODE
17	F8077		2	NYLTITE WASHER
18	F50109		2	GEAR HOUSING PLUG
19	F516584		1	GUIDE, SPRING DETENT
20	F516895		1	SPRING, SHIFT DETENT
21	F516885		1	PLUG, SPRING HOLDING
22	F338618-1		1	SEAL, SHIFT ROD LOWER
23	F1346		2	HEX NUT, S.S., 3/8 - 16
24	F8065		2	LOCKWASHER
25	F435555		1	SEAL, GEAR HOUSING, LOWER
26	F517125		1	COUPLING, DRIVESHAFT
27	F90619-1		1	YOKE
28	F40008		2	STUD
29	2A516266		1	PINION SHAFT W/BEARING
30	A435621		1	GEAR SHIFT ARM
31	F498891		1	GEAR SHIFT ARM PIN
32	F498618		1	SEAL "O" RING
33	F516054		1	GEAR HOUSING LOWER W/PLUG, WASHER AND BEARING CUP
-	F516054		1	GEAR HOUSING - COMPLETE. (NOT SHOW). INCLUDES ALL ITEMS MARKED WITH AN ASTERISK (*)
34	F458250		1	BEARING CUP
35	2A516023		1	BEVEL GEAR FORWARD W/BEARING
36	F2087		A/R	SPACER, BEVEL GEAR FRONT .056
-	2055		A/R	SPACER, BEVEL GEAR FRONT .059
-	2057		A/R	SPACER, BEVEL GEAR FRONT .065
-	2058		A/R	SPACER, BEVEL GEAR FRONT .068
-	2059		A/R	SPACER, BEVEL GEAR FRONT .071

CONTINUED ON NEXT PAGE ➡

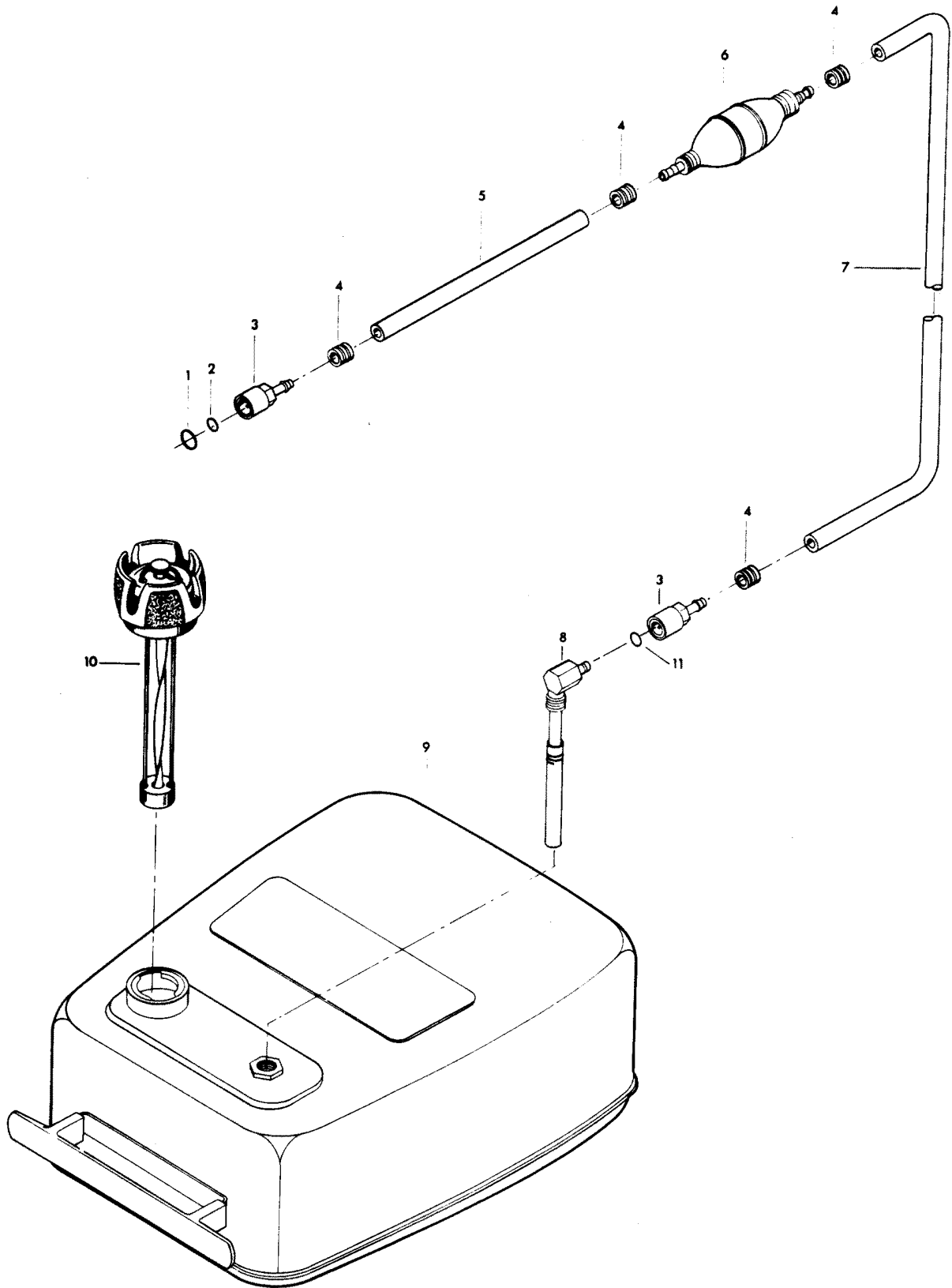
GEAR HOUSING



GEAR HOUSING

REF. NO.	PART NO.	SYM.	QTY.	DESCRIPTION
-	2060		A/R	SPACER, BEVEL GEAR FRONT .074
-	2061		A/R	SPACER, BEVEL GEAR FRONT .077
-	2062		A/R	SPACER, BEVEL GEAR FRONT .080
-	2063		A/R	SPACER, BEVEL GEAR FRONT .083
-	2064		A/R	SPACER, BEVEL GEAR FRONT .086
37	F99521-1		1	CLUTCH
38	F2097		1	SPRING CLUTCH
39	F90871-3		1	GEAR SHIFT ARM PIN
40	474098		1	PROPELLER SHAFT
41	F40717		1	THRUST WASHER BEVEL GEAR
42	F516662		1	GEAR, BEVEL, REAR
43	F474143		1	BEARING, BEVEL GEAR REAR
44	2052		A/R	SHIM PROPELLER SHAFT BEARING .005 (SILVER)
-	2053		A/R	SHIM PROPELLER SHAFT BEARING .006 (RED)
-	2054		A/R	SHIM PROPELLER SHAFT BEARING .008 (BLACK)
45	F474225		1	BEARING, PROPELLER SHAFT REVERSE THRUST
46	F141118		1	SEAL, PROPELLER SHAFT
47	F141305		1	SEAL, PROPELLER SHAFT BEARING CAGE
48	F1994		2	HEX SOCKET HD CAP SCREW, 5/16 - 18 X 1
49	2A474298		1	PROPELLER SHAFT BEARING CAGE W/SEALS AND BEARING CUP
50	278		1	PROPELLER NUT W/SEAL & COTTER PIN
51	FA94094-2		1	PROPELLER NUT W/SEAL & COTTER PIN
52	F1027		1	COTTER PIN
53	F40342		1	SEAL, PROPELLER NUT
54	FK247		1	PROPELLER PIN (PACK OF 6 W/COTTER PIN)
55	A516485		1	ANTICORROSION ANODE
56	F1733		2	PAN HD SCREW, 10 - 24 X 9/16
57	F1064		1	GEAR HOUSING SEAL KIT. INCLUDES ALL ITEMS MARKED WITH A DOUBLE ASTERISK (**)
58	1031		1	WATER PUMP KIT
-	F55914		1	SEAL
-	F341562		1	PLATE, WATER PUMP BACK
-	F436065		1	IMPELLER
-	F901563		1	DRIVE PIN
-	343060-1		1	BODY, WATER PUMP

FUEL TANK AND LINE



FUEL TANK AND LINE

REF. NO.	PART NO.	SYM.	QTY.	DESCRIPTION
1	F213342		1	SEAL, FUEL LINE COUPLER
2	F213735		1	SEAL, FUEL LINE COUPLER
3	F197787-3		2	FUEL LINE COUPLER
4	F298788		4	FERRULE
5	F84754-1		1	FUEL LINE SHORT W/FERRULES
6	F387766-1		1	PRIME BULB
7	F197752-1		1	FUEL LINE, LONG W/CLAMP AND FERRULE
8	F485755-1		1	FUEL TANK ADAPTER
9	5H027		1	FUEL TANK (ACCESSORY ITEM)
10	F409251-1		1	GAUGE CAP
11	F17932		1	SEAL
-	409752		1	FUEL LINE COMPLETE. (NOT SHOWN) W/ITEMS 3, 4, 5, 6, AND 7
-	409398		1	DECAL, TOTE TANK - CANADA (NOT SHOWN)

SPECIAL TOOLS - TUNE-UP

REF. NO.	PART NO.	SYM.	QTY.	DESCRIPTION
-	T2909		0	KNOCK-OFF NUT TO REMOVE FLYWHEEL
-	T2989		0	FLYWHEEL WEDGE TO REMOVE FLYWHEEL

SPECIAL TOOLS - POWER HEAD

REF. NO.	PART NO.	SYM.	QTY.	DESCRIPTION
-	T2908		0	SEAL SLEEVE TO INSTALL UPPER CRANKSHAFT BEARING CAGE SEAL
-	T8929		0	ADAPTER AND HEX BIT TO TORQUE CONNECTING ROD SCREWS
-	T8949		0	SEAL INSTALLER TO INSTALL LOWER CRANKSHAFT SEAL
-	2997		0	RING COMPRESSOR TO INSTALL PISTONS
-	T8926		0	RING EXPANDER TO INSTALL RINGS ON PISTONS
-	3012		0	SEAL INSTALLER TO REMOVE AND INSTALL CRANKSHAFT BEARING CAGE SEAL

SPECIAL TOOLS - LOWER UNIT

REF. NO.	PART NO.	SYM.	QTY.	DESCRIPTION
-	T8904		0	FORWARD CUP INSTALLER TO INSTALL FORWARD BEARING CUP
-	T8907		0	DRIVER HANDLE TO INSTALL FORWARD BEARING CUP
-	T8921		0	CUP REMOVER TO REMOVE FORWARD BEARING CUP
-	T8918		0	BEARING GUIDE SET TO REMOVE FORWARD BEARING CUP
-	T3413		0	SEAL INSTALLER TO INSTALL PROPELLER SHAFT SEAL
-	T8919		0	SPRING PIN PUNCH TO REMOVE CLUTCH PIN
-	T2907		0	SEAL INSTALLER TO INSTALL DRIVESHAFT SEAL - WATER PUMP AND GEAR HOUSING
-	T1		0	PULLER TO REMOVE PROPELLER SHAFT BEARING CAGE
-	8985		0	SEAL INSTALLER TO INSTALL PROPELLER SHAFT SEAL
-	8957		0	SEAL INSTALLER TO INSTALL SHIFT ROD SEAL
-	T8920		0	BEARING INSTALLER TO INSTALL PROPELLER SHAFT BEARING
-	T1		0	CHECKING GAUGE TO SHIM LOWER UNIT
-	8982		0	SHIM ADAPTER TO USE WITH CHECKING GAUGE (T8924-1)
-	8995		0	SHIM SPACER TO USE WITH CHECKING GAUGE (T8924-1)
-	T8901		0	INDICATOR HOLDER TO USE WITH CHECKING GAUGE T8924-1
-	T8902		0	DIAL INDICATOR TO USE WITH CHECKING GAUGE T8924-1

SPECIAL TOOLS - TEST EQUIPMENT

REF. NO.	PART NO.	SYM.	QTY.	DESCRIPTION
-	T2954A		0	TEST WHEEL TO TEST MOTOR IN TEST TANK
-	T8950		0	LEAKAGE TESTER TO TEST LOWER UNIT SEAL FOR LEAKS
-	8996		0	IGNITION TESTER TO TEST TRIGGER OUTPUT
-	8953		0	C-D TESTER TO TEST STATOR OUTPUT AND SECONDARY VOLTAGE

SPECIAL TOOLS - LUBRICANTS AND SEALANTS

REF. NO.	PART NO.	SYM.	QTY.	DESCRIPTION
-	T2961		0	LUBRICANT - RYKON #2EP
-	2987		0	LUBRICANT - ANTI-SEIZE
-	T8969		0	LUBRICANT - 7 OZ. 2 PSI LUBRICANT
-	8983		0	SEALANT
-	8936		0	SEALANT - 2 CC LOCTITE RETAINING COMPOUND #75
-	T1		0	SEALANT - 50 CC LOCTITE H, NON-HARDENING GRADE
-	T1		0	SEALANT - 2 OZ. LOCTITE D, HARDENING GRADE
-	8935		0	SEALANT PRIMER - 6 OZ.

SPECIAL TOOLS - REPAIR DECALS - ENGINE COVERS

REF. NO.	PART NO.	SYM.	QTY.	DESCRIPTION
-	T11212		0	BOAT BLACK
-	T11211		0	BOAT WHITE
-	T11229		0	SAND TAN

ACCESSORIES

REF. NO.	PART NO.	SYM.	QTY.	DESCRIPTION
-	5H013		0	FLUSHING ADAPTER PERMITS FRESH WATER FLUSHING OF WATER PASSAGES WITH STANDARD GARDEN HOSE.
-	5H062		0	WATER PUMP KIT HEAVY DUTY WATER PUMP RECOMMENDED FOR CONTINUED OPERATION IN SANDY OR SALT WATER.
-	5H088		0	REMOTE CONTROL CONVERSION KIT PERMITS REMOTE CONTROL OF THROTTLE AND GEAR SHIFT FROM FRONT OF BOAT.
-	130		0	SYNCHRO-DRIVE CONTROL BOX (SINGLE LEVER) PERMITS REMOTE CONTROL OF THROTTLE AND GEAR SHIFT FROM STARBOARD SIDE OF BOAT.
-	131		0	PORT SIDE DECAL KIT CONVERTS 5H130 CONTROL BOX TO PORT SIDE MOUNTING.
-	167		0	IGNITION CUT-OFF KIT PERMITS STOPPING OF ENGINE FROM OPERATORS SEAT.
-	195-6-THRU19		0	REMOTE CONTROL CABLES CONNECTS REMOTE CONTROL BOX TO THROTTLE AND GEAR SHIFT ON MOTOR. AVAILABLE ON 6 THROUGH 40 FOOT LENGTHS.
-	5H054		0	REMOTE STEERING BRACKET ADAPTS MOTOR TO REMOTE STEERING.
-	5H027		0	STEEL, 6 GALLON FUEL TANK W/HOSE AUXILLIARY TANK.
-	F476		0	FUEL LINE ADAPTION KIT ADAPTS MODEL 583 AND 5H027 TANKS FOR DISCONNECT AT TANK.
-	491		0	CARRYING HANDLE PROVIDES CARRYING HANDLE ON REAR OF ENGINE.
-	5H090		0	REMOTE START KIT PERMITS STARTING OF ENGINE FROM FRONT OF BOAT.
-	5H134		0	BOAT WHITE LACQUER ENGINE TOUCH-UP PAINT IN 12 3/4 OZ. SPRAY BOMBS (12 CANS PER CASE).
-	596		0	CHRYSLER OUTBOARD OIL SEE BLOCK COMMENT 1.
-	597		0	CHRYSLER OUTBOARD GEAR LUBE SEE BLOCK COMMENT 2.
-	72H26		0	CHRYSLER OUTBOARD FUEL AID REMOVES MOISTURE.PREVENTS SLUDGE AND VARNISH AND STABILIZES GAS. AVAILABLE IN 16 OZ. CANS AND 12 CAN CASES.

CONTINUED ON NEXT PAGE ➡

ACCESSORIES

REF. NO.	PART NO.	SYM.	QTY.	DESCRIPTION
-	72H27		0	CHRYSLER OUTBOARD STORAGE LUBRICANT WORKS AS A CORROSION INHIBITOR AND PROTECTS INTERNAL ENGINE PARTS DURING STORAGE. AVAILABLE IN 16 OZ. CANS AND 12 CAN CASES.
-	72H28		0	CHRYSLER OUTBOARD MULTI-PURPOSE SPRAY LUBE WORKS AS A LUBRICANT, CLEANER, MOISTURE REMOVER AND ELECTRIC INSULATOR. AVAILABLE IN 9 OZ. CANS AND 12 CAN CASES.
-	F72H29		0	CHRYSLER OUTBOARD MULTI-PURPOSE GREASE LUBRICATES BEARINGS AND OTHER MOVING PARTS. AVAILABLE IN 8 OZ. TUBES AND 12 TUBE CASES.
-	F72H30		0	CHRYSLER OUTBOARD GREASE GUN USED WITH CHRYSLER OUTBOARD MULTI-PURPOSE GREASE TUBES FOR PRESSURE FITTINGS.
-	72H34		0	CHRYSLER OUTBOARD MULTI-PURPOSE CLEANER

PARTS INDEX

Part Number	Description	Pg.	Ref. No.	Part Number	Description	Pg.	Ref. No.
010165	INLET SEAT GASKET	15	25	1608	SQUARE NUT, 1/4 - 20	25	47
010280	CHOKE SHUTTER			167	IGNITION CUT-OFF KIT	38	-
	RETAINER SCREW AND LOCKWASHER	15	15	1704	INTERNAL TOOTH LOCKWASHER	11	4
010280	THROTTLE SHUTTER			1805	SPRING PIN	25	89
	RETAINING SCREW AND LOCKWASHER	15	31	1823	HEX CAP SCREW, 5/16 - 18 X 1	19	13
010790	INLET NEEDLE, SEAT AND GASKET	15	24	1829	FILL HD M. SCREW, 10 - 24 X 7/8	11	1
011722	JET MAIN FUEL JET STD. .055 SEA LEVER - 3000 FT.	15	26	1859	HEX SOCKET HEADLESS SET SCREW, 1/4 - 28 X 3/16	19	-
011764	MAIN FUEL JET OPT. .051 6000 FT. & UP	15	-	1912	HEX HD SCREW, 10 - 24 X 1/2	15	40
011765	MAIN FUEL JET OPT. .053 3000 FT. - 6000 FT.	15	-	1971	HEX CAP SC. 1/4 - 20 X 2-1/8	3	21
013945	FUEL BOWL RETAINING SCREW	15	20	2012	PLAIN WASHER	3	25
015366	FUEL BOWL	15	18	2012	PLAIN WASHER	11	21
015367	CHOKE SHUTTER	15	14	2012	PLAIN WASHER	25	108
015368	CHOKE RELIEF VALVE	15	12	2050	HEX CAP SC. 1/4 - 20 X 1-1/2	13	57
015520	IDLE MIXTURE SCREW	15	22	2052	SHIM PROPELLER SHAFT BEARING .005 (SILVER)	29	44
015522	BYPASS TUBE	15	7	2053	SHIM PROPELLER SHAFT BEARING .006 (RED)	29	-
015525	MAIN NOZZLE	15	27	2054	SHIM PROPELLER SHAFT BEARING .008 (BLACK)	29	-
015526	THROTTLE SHAFT RETURN SPRING	15	29	2055	SPACER, BEVEL GEAR FRONT .059	27	-
015736	CHOKE SHAFT AND LEVER	15	10	2057	SPACER, BEVEL GEAR FRONT .065	27	-
015757	THROTTLE SHAFT AND LEVER	15	28	2058	SPACER, BEVEL GEAR FRONT .068	27	-
015783	CHOKE RELIEF VALVE SPRING	15	13	2059	SPACER, BEVEL GEAR FRONT .071	27	-
016878	THROTTLE SHUTTER	15	30	2060	SPACER, BEVEL GEAR FRONT .074	29	-
02510	FUEL BOWL RETAINING SCREW GASKET	15	21	2061	SPACER, BEVEL GEAR FRONT .077	29	-
02531	BODY CHANNEL WELCH PLUG	15	5	2062	SPACER, BEVEL GEAR FRONT .080	29	-
04784	CHOKE FRICTION BALL	15	8	2063	SPACER, BEVEL GEAR FRONT .083	29	-
08805	CHOKE FRICTION SPRING	15	9	2064	SPACER, BEVEL GEAR FRONT .086	29	-
1031	WATER PUMP KIT	29	58	24748-1	GASKET, FUEL PUMP	7	9
1286	PAN HD SCREW, 4 - 40 X 3/16	7	5	24757	FUEL PUMP REED PLATE W/REEDS AND SCREWS	7	8
130	SYNCHRO-DRIVE CONTROL BOX (SINGLE LEVER)	38	-	2738314-1	FITTING, FUEL PUMP	7	11
131	PORT SIDE DECAL KIT	38	-	278	PROPELLER NUT W/SEAL & COTTER PIN	29	50
1335	FILL HD SCREW, 5/16 - 18 X 1 1/4	21	38	2987	LUBRICANT - ANTI-SEIZE	36	-
1473	HEX NUT 10 - 24	3	34	2997	RING COMPRESSOR	33	-
1473	HEX NUT 10 - 24	17	51	2A424167	MANIFOLD W/STUDS AND PULLEY	15	39
15132	WASHER, FIBER	9	18	2A474298	PROPELLER SHAFT BEARING CAGE W/SEALS AND BEARING CUP	29	49
15133	WASHER	9	17	2A516023	BEVEL GEAR FORWARD W/BEARING	27	35
15136	HOUSING ASSEMBLY	9	9	2A516266	PINION SHAFT W/BEARING	27	29
1515	HEX NUT 5/16 - 18	13	59	3012	SEAL INSTALLER	33	-
1556	FILL HD M. SCREW W/SPRING LOCKWASHER, 10 - 24 X 3/8	11	18				
1558	SLOTTED HD. M. S. 10 - 24 X 3/8	17	50				
1577	FILL HD SCREW, 1/4 - 20 X 3/4	7	3				

PARTS INDEX

Part Number	Description	Pg.	Ref. No.	Part Number	Description	Pg.	Ref. No.
31410	RETAINING RING, PISTON			73082	RING, MAGNETO STATOR	21	44
	PIN	19	15	78318	ROLLER, THROTTLE CAM		
343060-1	BODY, WATER PUMP	29	-		FOLLOWER	15	35
36634	SCREW, CONNECTING ROD	21	40	78410	RETAINER	15	36
409398	DECAL, TOTE TANK -			8538	SPRING PIN	25	45
	CANADA (NOT SHOWN)	31	-	8538	SPRING PIN	25	98
409752	FUEL LINE COMPLETE.			8540	SPRING PIN	23	21
	(NOT SHOWN)	31	-	8540	SPRING PIN	27	13
42947--1	COVER, CYLINDER DRAIN			8542	SPRING PIN	3	16
	W/CHECK VALVES AND			8542	SPRING PIN	27	1
	SCREWS	19	8	8935	SEALANT PRIMER - 6 OZ.	36	-
474098	PROPELLER SHAFT	29	40	8936	SEALANT - 2 CC LOCTITE		
491	CARRYING HANDLE	38	-		RETAINING COMPOUND		
503227	SPARK PLUG (QL-77J4)				#75	36	-
	CANADA	19	-	8953	C-D TESTER	35	-
510010-1	SHORT BLOCK (NOT			8957	SEAL INSTALLER	34	-
	SHOWN).	19	-	8982	SHIM ADAPTER	34	-
510373-1	DECAL, MAGNAPOWER III	13	43	8983	SEALANT	36	-
517554-3	GEAR HOUSING UPPER			8985	SEAL INSTALLER	34	-
	W/BEARING, SEALS			8995	SHIM SPACER	34	-
	WASHER, PLUG AND			8996	IGNITION TESTER	35	-
	ANODE	27	16	98278	STUD, REMOTE THROTTLE		
520390	DECAL, STARTER - CANADA				CONNECTOR	21	63
	(NOT SHOWN)	9	-	A286072	SWIVEL BRACKET		
525228	ROLLER SET, CONNECTING				W/GREASE FITTING	25	49
	ROD (16 PER SET)	19	21	A286144	CAGE, CRANKSHAFT		
569396	DECAL, "CHRYSLER",				BEARING W/SEAL	21	46
	STARBOARD	3	-	A286190	ARM, CARBURETOR		
569712	COVER, ENGINE -				FOLLOWER	15	2
	COMPLETE.	3	-	A286469	KNOB, COVER LATCH	3	26
596	CHRYSLER OUTBOARD OIL	38	-	A286480	RETAINER, ENGINE COVER.		
597	CHRYSLER OUTBOARD				INCLUDES SCREWS AND		
	GEAR LUBE	38	-	A4	NUTS	3	9
5H013	FLUSHING ADAPTER	38	-		ROD, CONNECTING W/CAP		
5H027	FUEL TANK (ACCESSORY				AND SCREWS, CRANKPIN		
	ITEM)	31	9	A424158	ROLLER AND CAGE	19	17
5H027	STEEL, 6 GALLON FUEL				REED PLATE W/REEDS,		
	TANK W/HOSE	38	-	A435621	STOPS AND SCREWS	17	45
5H054	REMOTE STEERING			A504060	GEAR SHIFT ARM	27	30
	BRACKET	38	-		WATER PUMP BODY		
5H062	WATER PUMP KIT	38	-	A510010	W/WATER PUMP SEAL	27	6
5H088	REMOTE CONTROL			A516485	CYLINDER	19	12
	CONVERSION KIT	38	-	A525241	ANTICORROSION ANODE	29	55
5H090	REMOTE START KIT	38	-		CRANKPIN ROLLER		
5H134	BOAT WHITE LACQUER	38	-	A538395	BEARING CAGE	19	20
7005	STOP NUT, 3/8 - 16	23	19		PLATE, IDENTIFICATION,		
7006	NUT, STOP, 5/16 - 18	3	30	A540528	INCLUDES SCREWS	3	32
7008	STOP NUT, 1/4 - 20	21	55		DECAL, ENGINE COVER,		
7011	NUT, ELASTIC STOP, 10 - 24	3	11	A540892	REAR	5	43
7011	NUT, STOP, 10 - 24	3	20		DECAL, ENGINE COVER,		
7024	LOCK NUT	25	107	A565392	FRONT	3	1
7025	LOCK NUT 3/8 - 16	25	54	A569397	DECAL, SAILOR	5	49
72H26	CHRYSLER OUTBOARD			F10006	DECAL, "CHRYSLER", PORT	3	7
	FUEL AID	38	-		GASKET SET,		
72H27	CHRYSLER OUTBOARD				CARBURETOR (NOT		
	STORAGE LUBRICANT	38	-	F10007	SHOWN)	17	-
72H28	CHRYSLER OUTBOARD				REPAIR PARTS KIT,		
	MULTI-PURPOSE SPRAY			F1027	CARBURETOR.	17	48
	LUBE	38	-	F1064	COTTER PIN	29	52
					GEAR HOUSING SEAL KIT.	29	57

PARTS INDEX

Part Number	Description	Pg.	Ref. No.	Part Number	Description	Pg.	Ref. No.
F1069	FILL HD SCREW, 10 - 24 X 1/16	7	14	F1733	PAN HD SCREW, 10 - 24 X 9/16	29	56
F1075	FILL HD SCREW, 10 - 24 X 1/2	11	36	F174017	PIN, PISTON	19	16
F1090	FILL HD SCREW W/SPRING LOCKWASHER, 10 - 24 X 9/16	11	26	F174227	PLUG, SPARK, L-4-J	19	11
F1107	FILL HD SCREW, 1/4 - 20 X 3/4	19	37	F174260	PISTON RING SET (2 PER SET)	19	19
F1111	FILL HD SCREW, 1/4 - 20 X 7/8	21	48	F1753	FASTENER	3	3
F1112	SLOTTED FILL HD. M. S. 1/4 - 20 X 7/8	11	19	F1755	RD HD SCREW W/LOCKWASHER, 6 - 32 X 5/16	17	42
F1303	SLOTTED PAN HD M. SCREW, 8/32 X 3/4	11	24	F17932	SEAL	31	11
F1337	HEX NUT, 6 - 32	11	5	F1794	SPRING PIN	23	42
F1339	HEX NUT, 10 - 24	21	51	F1794	SPRING PIN	25	80
F1341	HEX NUT 1/4 - 20	3	27	F1802	FILL HD SCREW, 1/4 - 20 X 9/16	11	20
F1341	HEX NUT, 1/4 - 20	23	25	F1803	STOP NUT, 5/16 - 24	19	30
F1346	HEX NUT, S.S., 3/8 - 16	27	23	F1806	GROOVE PIN	23	39
F1365	SQUARE NUT, 10 - 24	15	4	F1809	HEX NUT	11	29
F141118	SEAL, CRANKSHAFT LOWER	19	23	F18160-2	REED, FUEL PUMP	7	7
F141118	SEAL, PROPELLER SHAFT	29	46	F1820	FILL HD SCREWS, 1/4 - 20 X 1-3/8	25	50
F141305	SEAL, PROPELLER SHAFT BEARING CAGE	29	47	F1834	FILL HD SCREW, 10 - 24 X 7/8	15	1
F1447	SCREW, DRIVE	3	33	F183813	BEARING, MAGNETO CONTROL LEVER	19	34
F1490	HEX NUT, 1/4 - 20	15	34	F1844	HEX NUT, 1/4 - 20 X 2-3/8	23	27
F1502	HEX CAP SCREW, 1/4 - 20 X 5/8	25	91	F1845	TY-RAP	13	50
F1504	FILL HD SCREW, 1/4 - 20 X 1/4	19	35	F1887	HEX SLOTTED HD SCREW, 1/4 - 20 X 3 3/16	25	106
F15127	CAP ASSEMBLY, COMMUTATOR END.	9	10	F18906	CARBURETOR GASKET	15	37
F15129	NUT W/LOCKWASHER	9	15	F18906	CARBURETOR GASKET	21	-
F1513	HEX NUT 10 - 32	21	65	F1914	HEX HD SCREW, 1/4 - 20 X 3/4	15	32
F1513	HEX NUT, 10 - 32	11	42	F1915	HEX HD SCREW, 1/4 - 20 X 7/8	19	28
F15130	NUT	9	16	F1922	HEX HD SCREW, 1/4 - 20 X 5/8	19	5
F15134	ARMATURE	9	8	F1975	SPRING LOCKWASHER	11	2
F15135	CAP ASSEMBLY, DRIVE END	9	5	F1976	SOCKET HD SCREW W/WASHER, 10 - 24 X 1/2	27	11
F15137	WASHER	9	6	F197752-1	FUEL LINE, LONG W/CLAMP AND FERRULE	31	7
F15138	SPRING, BRUSH	9	12	F197767-1	BUSHING, FUEL LINE	3	24
F15139	PINION ASSEMBLY	9	4	F197787-3	FUEL LINE COUPLER	31	3
F15140	SPRING	9	3	F197813	BEARING	25	53
F15141	PINION STOP	9	2	F197813	BEARING, INTERLOCK LEVER	21	53
F15142	STOP NUT	9	1	F1979	SCREW PAN HD., 10 - 24 X 1/2	3	10
F15143	DISC	9	11	F1994	HEX SOCKET HD CAP SCREW, 5/16 - 18 X 1	29	48
F15144	SCREW, THRU BOLT	9	14	F1999	HEX CAP SCREW, 1/4 - 20 X 7/8	13	44
F15145	GASKET	9	7	F2030	HEX HD SCREW, 1/4 - 20 X 1/4	27	3
F15146	WASHER	9	13	F2040	TAPTITE HEX WASHER HD SCREW, 1/4 - 20 X 5/8	21	61
F1645	RD HD THREAD CUTTING SCREW, 6 - 32 X 1/4	11	25	F2087	SPACER, BEVEL GEAR FRONT .056	27	36
F1646	HEX SOCKET HD CAP SCREW, 3/8 - 16 X 2 1/4	11	8	F2097	SPRING CLUTCH	29	38
F1648	PAN HD SCREW, 10 - 24 X 3/4	11	13				
F1666	BOWED SPRING WASHER	23	7				
F1678	FILL HD SCREW, 10 - 24 X 13/16	11	32				
F1733	PAN HD M.S. 10 - 24 X 9/16	3	31				

PARTS INDEX

Part Number	Description	Pg.	Ref. No.	Part Number	Description	Pg.	Ref. No.
F213274	GREASE FITTING	23	34	F286316	THROTTLE CAM FOLLOWER	15	33
F213342	SEAL, FUEL LINE COUPLER	31	1	F286346-1	SHOCK MOUNT LOWER . . .	23	30
F213735	SEAL, FUEL LINE COUPLER	31	2	F286364	LEVER, REVERSE LOCK . . .	25	46
F24074	CLAMP SCREW FOOT	23	18	F286414	SPRING, LEG WATER BRACKET	25	82
F24747-1	FUEL PUMP DIAPHRAGM W/GASKETS	7	4	F286422-1	TILT LOCK PIVOT	23	31
F269316	SHAFT, ROLLER	3	40	F286422-1	TILT LOCK PIVOT	23	6
F2706772	HOSE CLAMP	7	12	F286433	BRACKET SHALLOW WATER DRIVE	23	38
F2752253	HOSE, FUEL PUMP TO BUSHING	7	15	F286440	STUD, MAGNETO CONTROL LEVER	21	39
F2771254	HOSE, FUEL PUMP TO CARBURETOR	7	13	F286451	SPACER, TILT LOCK	23	32
F2788004	STUD, CARBURETOR	15	38	F286451	SPACER, TILT LOCK	23	9
F28004	STUD, INTERLOCK LEVER .	19	10	F286461	SPRING, LOCK BAR HANDLE	23	22
F286011	WASHER, SWIVEL BRACKET	25	97	F286509	LINK, THROTTLE CAM	19	36
F286015-3	PISTON	19	18	F286529-3	GASKET, CYLINDER HEAD .	19	4
F286018-3	CRANKSHAFT W/UPPER MAIN BEARING	21	43	F286529-3	GASKET, CYLINDER HEAD .	21	-
F286019	KING PIN	23	24	F286539	BUMPER	25	93
F286028-1	BEARING, CRANKSHAFT UPPER MAIN	21	59	F286544-1	SPRING, TILT STOP	23	10
F286037	STERN BRACKET PIVOT BOLT	23	4	F286571	ROLLER SET, MAIN BEARING (26 PER SET) . .	21	42
F286078-2	STEERING HANDLE BRACKET W/GREASE FITTING	23	1	F286573-1	CLAMP, STEERING HANDLE	25	48
F286081-1	LEVER, MAGNETO CONTROL ASSEMBLY . . .	19	33	F286582	STEERING ARM W/SPRING PIN & BUMPER	25	90
F286113	LOCK BAR W/HANDLE AND SPRING	23	20	F286585-1	DECAL, TILT RELEASE	25	110
F286114	LOCK BAR HANDLE	23	23	F286585-1	DECAL, TILT RELEASE - CANADA	25	-
F286151	PLATE, EXHAUST	19	25	F286615	GEAR SHIFT ROD, UPPER .	27	2
F286152	COVER, EXHAUST	19	26	F286647	CARRYING HANDLE	23	12
F286154	GASKET EXHAUST COVER	21	-	F286774-1	BRACKET, COVER LATCH. INCLUDES SCREWS, NUTS AND ROLLERS	3	42
F286154	GASKET, EXHAUST COVER	19	24	F286777	CAM, COVER LATCH	3	29
F286155	MAIN BEARING LINER SET (2 PER SET)	21	41	F286827	REVERSE LOCK RELEASE LEVER	25	43
F286159-1	GASKET, REED PLATE	17	46	F286871	PIN, GEAR SHIFT LEVER . .	3	17
F286159-1	GASKET, REED PLATE	21	-	F286876	LEVER, GEAR SHIFT	3	15
F286169	BEARING, SWIVEL BRACKET	25	52	F286914	SLEEVE WATER LINE	23	29
F286169	BEARING, SWIVEL BRACKET.	23	33	F286956	BRACKET, SHOCK MOUNT LOWER	23	26
F286192	THROTTLE CAM	11	37	F286989-2	SEAL, SUPPORT PLATE . . .	3	22
F286223	GASKET, TRANSFER PORT COVER	19	7	F289497-2	TERMINAL BLOCK	11	11
F286223	GASKET, TRANSFER PORT COVER	21	-	F298073-2	CLAMP SCREW W/FOOT AND STUD	23	14
F286244	WATER LINE	23	28	F298788	FERRULE	31	4
F286277	GASKET, CRANKSHAFT BEARING CAGE	21	-	F307317	CLIP, TERMINAL BLOCK GROUND	11	14
F286277	GASKET, CRANKSHAFT BEARING CAGE	21	45	F307818	BEARING	3	14
F286279-2	GASKET, CYLINDER MOUNTING	19	29	F31160-1	REED	17	44
F286279-2	GASKET, CYLINDER MOUNTING	21	-	F321908	WIRE, GROUND STARTER RELAY	13	55
F286282	WASHER	19	31	F338618-1	SEAL, SHIFT ROD LOWER .	27	22
F286286-1	WASHER, STERN BRACKET	23	41	F341510	LINK, REVERSE LOCK LEVER	23	40
F286300	SPRING, REVERSE LOCK . .	23	35	F341562	PLATE, WATER PUMP BACK	29	-
				F341562	WATER PUMP BACK PLATE	27	10
				F343014	BEARING, CRANKSHAFT LOWER MAIN	19	22
				F343128	DRIVESHAFT	27	7

PARTS INDEX

Part Number	Description	Pg.	Ref. No.	Part Number	Description	Pg.	Ref. No.
F343612	BRACKET, REMOTE CONTROL	3	8	F510398	DECAL, WIRING - CANADA	11	-
F346146	SEAL, CRANKSHAFT UPPER	21	47	F510427	BRACKET, STARTER SUPPORT	7	2
F387742	LEVER, REVERSE LOCK INTERMEDIATE ASSEMBLY	25	44	F510446	CLAMP, BATTERY CABLE	11	38
F387766-1	PRIME BULB	31	6	F510449	NEUTRAL INTERLOCK SWITCH	13	47
F392756	PACKING, SUPPORT PLATE	3	18	F510450-1	RECTIFIER	11	23
F40008	STUD	27	28	F510460	CIRCUIT BREAKER	11	27
F40342	SEAL, PROPELLER NUT	29	53	F510475	IGNITION COIL	11	3
F404446	CLAMP, CABLE	3	23	F510531	ROD, INTERLOCK	21	52
F404908	GROUND WIRE	11	35	F510551	BRACKET, INTERLOCK SWITCH	21	60
F40717	THRUST WASHER BEVEL GEAR	29	41	F510595	INSULATOR, CIRCUIT BREAKER	11	41
F409251-1	GAUGE CAP	31	10	F510661	PAD, STARTER MOTOR	5	48
F424075	HANDLE, CLAMP SCREW	23	13	F510675-1	STARTER SUPPORT	11	10
F424161	REED STOP	17	43	F510683	WIRE, RECTIFIER - CIRCUIT BREAKER	13	48
F424168-1	GASKET, MANIFOLD	17	41	F510746	FUEL PUMP COVER	7	10
F424168-1	GASKET, MANIFOLD	21	-	F510811	FILTER, FUEL PUMP	7	16
F429472	GASKET, CYLINDER DRAIN COVER	19	9	F510841	WIRE, STARTER INTERLOCK SWITCH	11	12
F429472	GASKET, CYLINDER DRAIN COVER	21	-	F510914	SEAL, INLET WATER LINE	27	5
F429541	TILT LOCK	23	8	F510955	STARTER MOTOR - COMPLETE.	9	-
F429811	SCREEN	21	57	F516054	GEAR HOUSING - COMPLETE. (NOT SHOW).	27	-
F430732	HEX HD SCREW, 5/16 - 18 X 1 1/4	27	15	F516054	GEAR HOUSING LOWER W/PLUG, WASHER AND BEARING CUP	27	33
F435555	SEAL, GEAR HOUSING, LOWER	27	25	F516349	REVERSE LOCK	23	36
F436065	IMPELLER	29	-	F516451	SPACER, STEERING HDL. BRKT.	23	37
F436065-1	WATER PUMP IMPELLER	27	9	F516584	GUIDE, SPRING DETENT	27	19
F455118	SEAL, FUEL PUMP BRACKET	7	1	F516662	GEAR, BEVEL, REAR	29	42
F458250	BEARING CUP	27	34	F516677	SPACER, REVERSE LOCK	25	102
F458498	KEY, FLYWHEEL	13	49	F516697	NUT, STEERING LOCK BRACKET	25	104
F461342	SEAL, DRIVESHAFT SPLINE	21	58	F516704-1	COUPLING SHIFT ROD	27	12
F474143	BEARING, BEVEL GEAR REAR	29	43	F516705	GEAR SHIFT ROD, LOWER	27	14
F474225	BEARING, PROPELLER SHAFT REVERSE THRUST	29	45	F516885	PLUG, SPRING HOLDING	27	21
F476	FUEL LINE ADAPTION KIT	38	-	F516895	SPRING, SHIFT DETENT	27	20
F477061	CARBURETOR COMPLETE	17	47	F517078	BRACKET, LOCK STEERING	25	103
F477133	MOTOR LEG	25	51	F517125	COUPLING, DRIVESHAFT	27	26
F485755-1	FUEL TANK ADAPTER	31	8	F517273	TIE BAR	25	101
F487660-1	EXHAUST TUBE	19	27	F517317	CLAMP CHOKE SOLENOID	11	17
F487711	PLATE, ENGINE COVER	5	44	F517347	SHOCK MOUNT UPPER	25	83
F492518	HEAD, CYLINDER	19	3	F517502	LEVER, REMOTE CHOKE	15	11
F498618	SEAL "O" RING	27	32	F517552	SCREW, STEERING HDL. BRKT.	23	2
F498891	GEAR SHIFT ARM PIN	27	31	F517683	WIRE, STARTER INT. SW. TO STARTER RELAY	11	40
F50109	GEAR HOUSING PLUG	27	18	F517846	SPRING, REMOTE CHOKE	17	53
F510029	STATOR, TRIGGER	11	34	F517917	RELAY STARTER	13	54
F510095	STATOR, ALTERNATOR	11	33	F517924	CHOKE SOLENOID	11	16
F510097	FLYWHEEL	11	31	F517925	ROD, CHOKE SOLENOID	17	49
F510165	SCREW	19	5A	F517977-1	LEVER, INTERLOCK	21	54
F510222	COVER, TRANSFER PORT	19	6	F525286	WASHER	25	96
F510301	C-D MODULE	13	46	F539896	CABLE ELECTRIC REMOTE EXTENSION	13	51
F510374	DECAL, CIRCUIT BREAKER	11	28				
F510374	DECAL, CIRCUIT BREAKER - CANADA	11	-				
F510398	DECAL, WIRING	11	7				

PARTS INDEX

Part Number	Description	Pg.	Ref. No.	Part Number	Description	Pg.	Ref. No.
F539896	CABLE, BATTERY EXTENSION	13	53	FA94094-2	PROPELLER NUT W/SEAL & COTTER PIN	29	51
F540038	PLATE, SUPPORT, INCLUDING PLUGS	3	19	FK247	PROPELLER PIN (PACK OF 6 W/COTTER PIN)	29	54
F540180	TRIM, ENGINE COVER, REAR	3	4	G1	GASKET SET.	21	62
F540683	WIRE STARTER TO STARTER RELAY	13	56	K517032	STERN BRACKET W/CLAMP SCREW AND FOOT	23	5
F540843	CABLE, ELECTRIC REMOTE	13	52	K517532	STERN BRACKET PORT W/CLAMP SCREW AND FOOT	23	11
F540896	BATTERY CABLE	11	39	O10588	BODY CHANNEL CUP PLUG	15	6
F540908	WIRE, GROUND RECTIFIER TO TERM. & LOCK	11	15	O11103	IDLE MIXTURE SCREW SPRING	15	23
F55914	SEAL	29	-	O13554	FLOAT	15	16
F66193	THROTTLE LINK	15	3	O13944	FLOAT LEVER PIN	15	17
F66480	STUD CLAMP SCREW	23	17	O15623	FUEL BOWL GASKET	15	19
F72H29	CHRYSLER OUTBOARD MULTI-PURPOSE GREASE	38	-	S541712	COVER, ENGINE W/BRACKET, RETAINER AND TILT HANDLE	3	6
F72H30	CHRYSLER OUTBOARD GREASE GUN	38	-	T1	CHECKING GAUGE	34	-
F8003	PLAIN WASHER	7	6	T1	PULLER	34	-
F8011	PLAIN WASHER	3	28	T1	SEALANT - 2 OZ. LOCTITE D, HARDENING GRADE	36	-
F8025	PLAIN WASHER	19	2	T1	SEALANT - 50 CC LOCTITE H, NON-HARDENING GRADE	36	-
F8039	PLAIN WASHER	23	3	T11211	BOAT WHITE	37	-
F8058	INTERNAL TOOTH LOCK WASHER	21	64	T11212	BOAT BLACK	37	-
F8058	LOCKWASHER, INTERNAL TOOTH	3	13	T11229	SAND TAN	37	-
F8058	TOOTH LOCKWASHER	17	52	T2907	SEAL INSTALLER	34	-
F8060	EXTERNAL TOOTH LOCKWASHER	25	92	T2908	SEAL SLEEVE	33	-
F8065	LOCKWASHER	27	24	T2909	KNOCK-OFF NUT	32	-
F8077	NYLTITE WASHER	27	17	T2954A	TEST WHEEL	35	-
F8083	SPRING LOCKWASHER	13	45	T2961	LUBRICANT - RYKON #2EP	36	-
F8083	SPRING LOCKWASHER	23	27A	T2989	FLYWHEEL WEDGE	32	-
F8096	SPRING LOCKWASHER	13	58	T3413	SEAL INSTALLER	34	-
F84026	SWIVEL, INTERLOCK ROD BEARING	21	50	T8901	INDICATOR HOLDER	34	-
F84035-2	BEARING, INTERLOCK ROD	21	49	T8902	DIAL INDICATOR	34	-
F84754-1	FUEL LINE SHORT W/FERRULES	31	5	T8904	FORWARD CUP INSTALLER	34	-
F8537	SPRING PIN	23	16	T8907	DRIVER HANDLE	34	-
F8554	SPRING PIN	23	15	T8918	BEARING GUIDE SET	34	-
F8559	DOWEL PIN	19	14	T8919	SPRING PIN PUNCH	34	-
F85735-1	SEAL	3	2	T8920	BEARING INSTALLER	34	-
F901307-2	SEAL	27	4	T8921	CUP REMOVER	34	-
F901307-2	SEAL, WATER LINE UPPER	25	81	T8926	RING EXPANDER	33	-
F901456-1	EMERGENCY STARTER COLLAR	11	30	T8929	ADAPTER AND HEX BIT	33	-
F901563	DRIVE PIN	29	-	T8949	SEAL INSTALLER	33	-
F901563	WATER PUMP IMPELLER DRIVE PIN	27	8	T8950	LEAKAGE TESTER	35	-
F901938-1	SCREW, CYLINDER HEAD	19	1	T8969	LUBRICANT - 7 OZ. 2 PSI LUBRICANT	36	-
F90619-1	YOKE	27	27	195-6-THRU19	REMOTE CONTROL CABLES	38	-
F90871-3	GEAR SHIFT ARM PIN	29	39	750-3	SPARKIE W/SPRING	11	6
F92759	ROLLER	3	41				
F94840	GROMMET, BATTERY CABLE	5	47				
F98273	STUD, GEAR SHIFT ROD CONNECTOR	3	12				
F99521-1	CLUTCH	29	37				