



# PARTS CATALOG

## 75 H.P.

SERIAL NUMBER

75 (1980) ..... 754B0B  
75 (1980) ..... 754H0B

# TABLE OF CONTENTS:

ACCESSORIES .....	54
CARBURETOR .....	16
CRANKSHAFT AND PISTON GROUP .....	28
DISTRIBUTOR .....	10
ELECTRIC STARTER .....	14
ELECTRICAL COMPONENTS .....	6
ENGINE COVER AND SUPPORT PLATE .....	2
FUEL TANK AND LINE .....	42
GEAR HOUSING .....	36
MOTOR LEG .....	30
PARTS INDEX .....	58
POWERHEAD .....	22
REMOTE CONTROL .....	44
SPECIAL TOOLS - GEAR HOUSING .....	50
SPECIAL TOOLS - LUBRICANTS AND SEALANTS .....	52
SPECIAL TOOLS - POWER HEAD .....	49
SPECIAL TOOLS - REPAIR DECALS - ENGINE COVERS .....	53
SPECIAL TOOLS - TEST EQUIPMENT .....	51
SPECIAL TOOLS - TUNE-UP .....	48

**NOTE:** Indented description indicate that these parts are included in preceeding assembly.

**AR** = As Required

**NSS** = Not Sold Separate

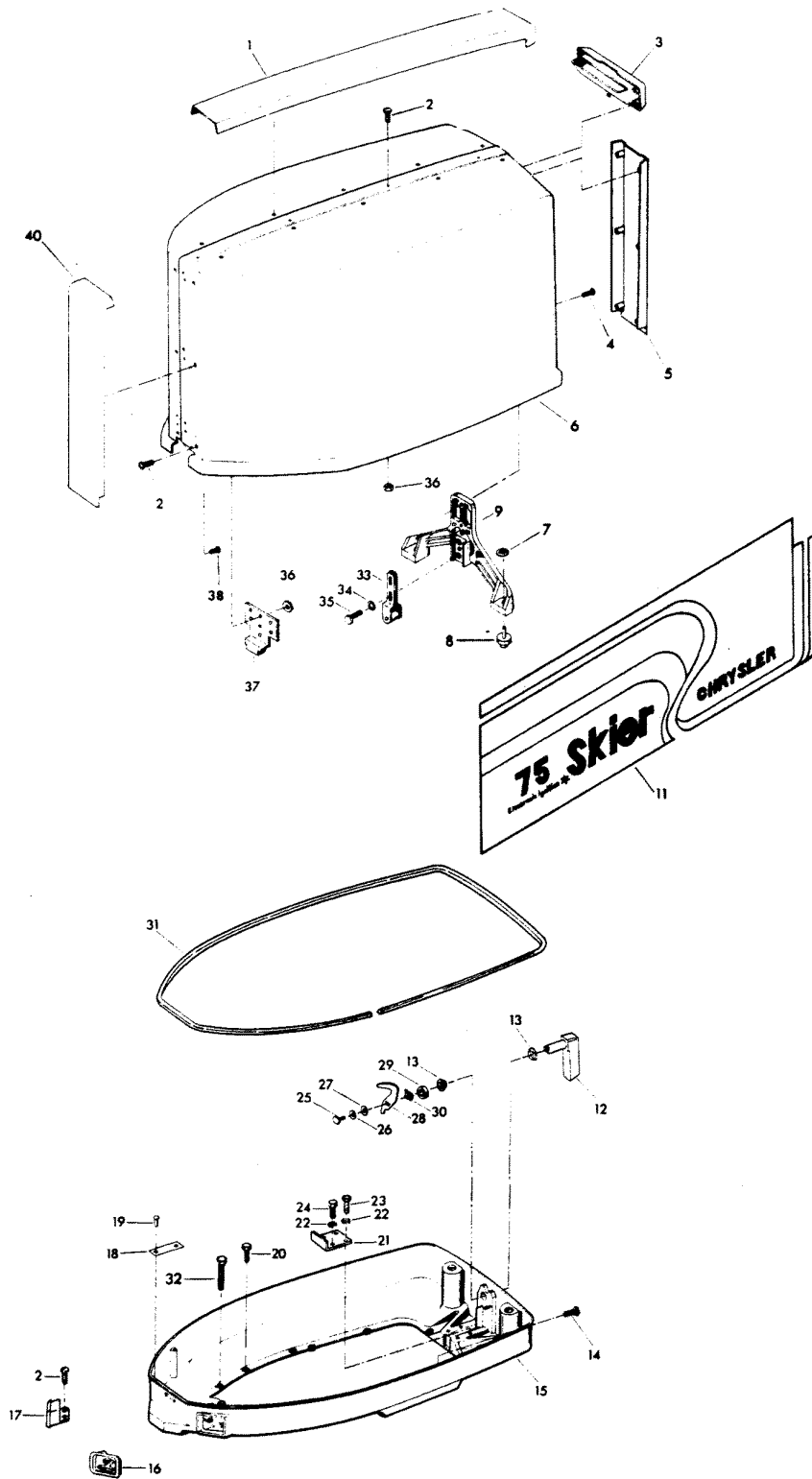
**OPT** = Optional

**NS** = Not Shown

**THESE PARTS BOOKS/FICHE CARD ARE COPYRIGHTED AND MAY NOT BE DISTRIBUTED OR REPRODUCED IN ANY OTHER FORMAT BY ANYONE OTHER THAN MERCURY MARINE WITHOUT THE PRIOR WRITTEN CONSENT OF MERCURY MARINE.**

THIS PAGE INTENTIONALLY LEFT BLANK

# ENGINE COVER AND SUPPORT PLATE

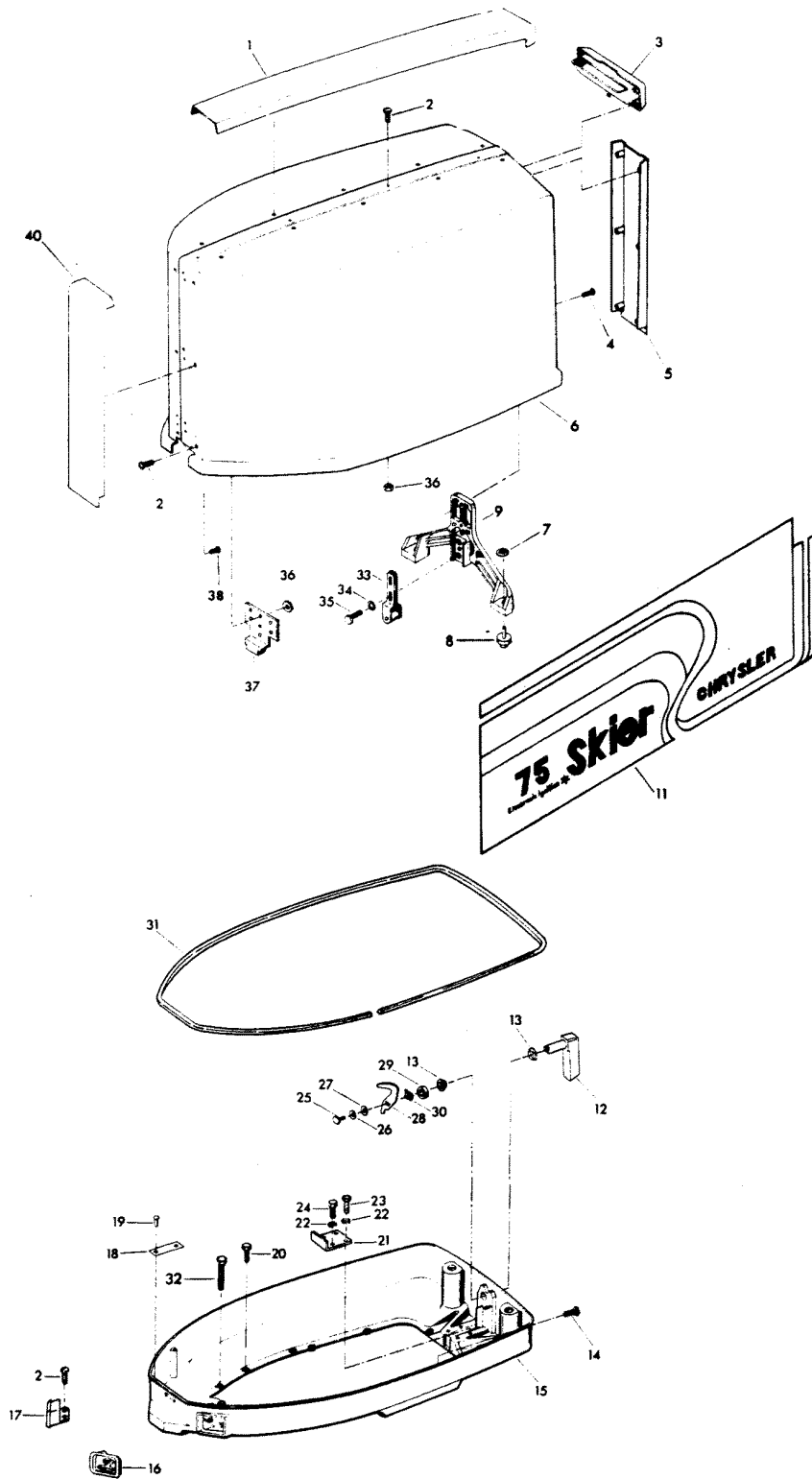


# ENGINE COVER AND SUPPORT PLATE

REF. NO.	PART NO.	SYM.	QTY.	DESCRIPTION
1	FA480179		1	TRIM, TOP W/LITERATURE
2	F1733		10	SCREW, PAN HD, 10 - 24 X 9/16
3	FA480269		1	HANDLE, TILT W/LITERATURE
4	F1730		3	SCREW, PAN HD W/SPRING LOCKWASHER, 1/4 - 20 X 5/8
5	FA548180		1	TRIM, REAR W/LITERATURE
6	FA549944		1	COVER, ENGINE W/RETAINER
-	<b>5C579944</b>		<b>1</b>	<b>COVER, ENGINE - COMPLETE INCLUDES ITEMS MARKED WITH AN ASTERISK (*)</b>
7	F2088		2	FASTENER
8	F481434		2	GUIDE, ENGINE COVER
9	F481774		1	BRACKET, ENGINE COVER LATCH
11	A480397		1	DECAL, ENGINE COVER - PORT W/LITERATURE
-	<b>A480396</b>		<b>1</b>	<b>DECAL, ENGINE COVER - STARBOARD W/LITERATURE</b>
12	FA481469		1	LATCH HANDLE, ENGINE COVER W/SHAFT
13	F480818		2	BEARING, LATCH SHAFT
14	F1535		6	HEX CAP SCREW, 1/4 - 20 X 3/4
15	F480038-2		1	PLATE, SUPPORT
16	F549189		1	BUSHING, ELECTRIC CABLE
17	F545189		1	BUSHING, CABLE ENTRY
18	FA535395		1	IDENTIFICATION PLATE, W/SCREWS - USA
-	<b>FAC535395</b>		<b>1</b>	<b>IDENTIFICATION PLATE, W/SCREWS - CANADA</b>
19	F1447		2	ROUND HD SCREW, 2 X 3/16
20	F1540		5	HEX SLOT HD SCREW, 1/4 - 20 X 5/8
21	F335654-1		1	STOP, DEFLECTION
22	F8096		4	LOCKWASHER
23	F1857		2	HEX CAP SCREW, 5/16 - 18 X 5/8
24	F1858		2	HEX CAP SCREW, 5/16 - 18 X 1
25	F1541		1	HEX CAP SCREW, 1/4 - 20 X 5/8
26	F8083		1	LOCKWASHER
27	F8004		1	WASHER, PLAIN
28	F481777		1	CAM, LATCH SHAFT
29	F481382-1		1	SPACER, LATCH SHAFT
30	F2047		1	WAVE WASHER
31	F321756		1	PACKING
32	F1708		2	HEX HD CAP SCREW, 1/4 - 20 X 1 3/8
33	FA481743		1	LATCH, ROLLER BRACKET, W/ROLLER
34	F8096		2	LOCKWASHER
35	F1857		2	HEX CAPSCREW, 5/16 - 18 X 5/8
36	F1473		7	HEX NUT, 10 - 24
37	F373778-1		1	RETAINER, ENGINE COVER

CONTINUED ON NEXT PAGE ➡

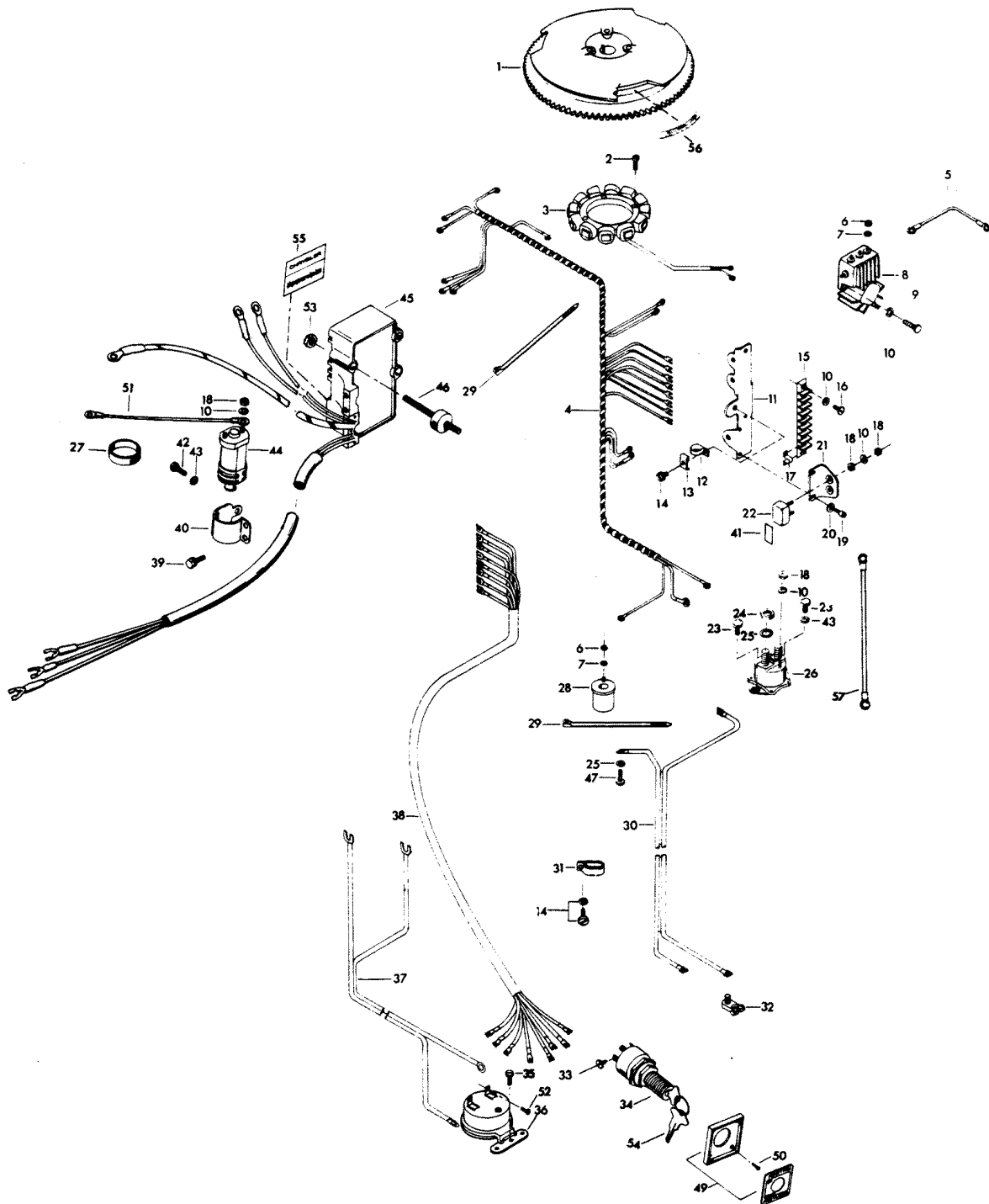
# ENGINE COVER AND SUPPORT PLATE



# ENGINE COVER AND SUPPORT PLATE

REF. NO.	PART NO.	SYM.	QTY.	DESCRIPTION
38	F2066		26	PAN HEAD TAPPING SCREW, 10 X 7/16
40	FA548888		1	TRIM, FRONT <b>W/LITERATURE</b>
-	<b>F548984</b>		<b>1</b>	<b>BLANKET, SILENCER - TOP (NOT SHOWN)</b>
-	<b>F548985</b>		<b>2</b>	<b>BLANKET, SILENCER - SIDE (NOT SHOWN)</b>
41	F235785		1	DECAL, COMPLIANCE (CANADA)

# ELECTRICAL COMPONENTS



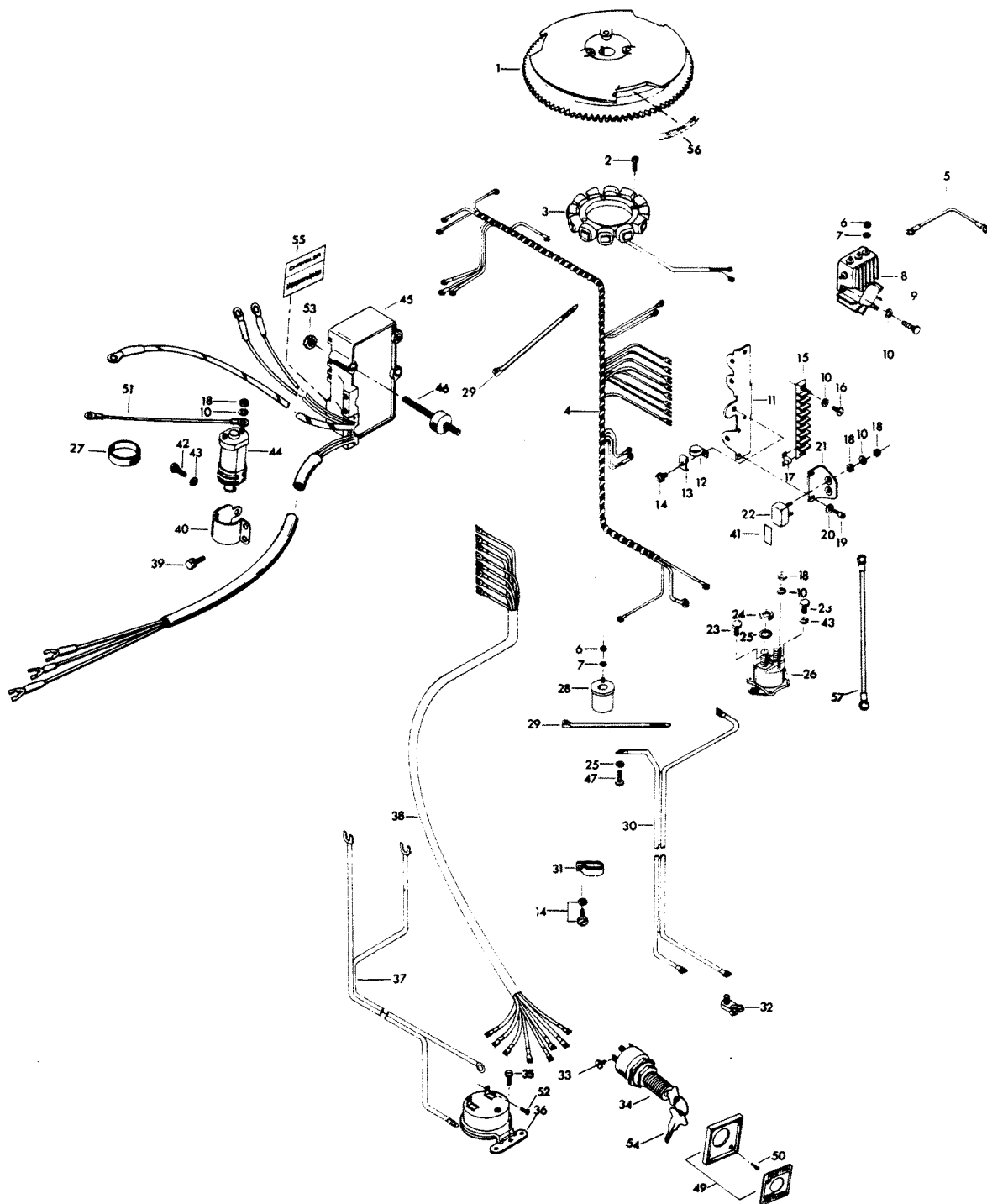


# ELECTRICAL COMPONENTS

REF. NO.	PART NO.	SYM.	QTY.	DESCRIPTION
1	F404097		1	FLYWHEEL
2	F1678		6	FILL HD SCREW, 10 - 24 X 13/16
3	F85095-2		1	STATOR
4	F438744-1		1	WIRING HARNESS
5	F345683		1	WIRE, REGULATOR-RECTIFIER GROUND
6	F1647		5	HEX NUT, 8 - 32
7	F8056		5	SPRING LOCKWASHER
8	F404470-1		1	REGULATOR-RECTIFIER
9	F2107		3	FILL HD SCREW, 10 - 24 X 5/8
10	F1975		11	SPRING LOCKWASHER
11	FA438493		1	TERMINAL BLOCK BRACKET <b>WILLUS. 13, 14 AND ILLUS. 6 ON PAGE 14</b>
12	F289446-1		1	CLAMP
13	F438668		1	RETAINER, CABLE CLAMP
14	F1734		2	FILL HD SCREW W/LOCKWASHER, 1/4 - 20 X 1/2
15	FA510497		1	TERMINAL BLOCK <b>WILLUS. 16 ORIGINAL FORCE P/N K 289497-2</b>
16	F1648		2	PAN HD SCREW, 10 - 24 X 3/4
17	F307317		1	CLIP, TERMINAL BLOCK
18	F1513		8	HEX NUT
19	F1760		2	PAN HD SCREW, 10 - 24 X 3/8
20	F8011		2	PLAIN WASHER
21	F91446-1		1	CIRCUIT BREAKER BRACKET
22	F510460		1	CIRCUIT BREAKER
23	F1536		2	HEX CAP SCREW, 1/4 - 20 X 3/4
24	F1515		2	HEX NUT
25	F8096		3	SPRING LOCKWASHER
26	F460917		1	STARTER RELAY
27	F391983		2	RETAINING BAND
28	F85924		1	CHOKE SOLENOID
29	F1877		2	TY-RAP
30	F381896-4		1	BATTERY CABLE
31	F407446		1	CLAMP
32	F5H041		1	BATTERY CABLE CLAMP KIT. (ACCESSORY ITEM)
33	F1280		5	PAN HD SCREW, 8 - 32 X 1/4
34	F5H078		1	IGNITION SWITCH (LONG BARREL) W/KEYS AND SCREWS <b>(ACCESSORY ITEMS)</b>
35	F1741		2	PAN HD SCREW, 8 X 3/4
36	F5H043		1	OVERHEAT BUZZER (ACCESSORY ITEM)
37	F404841		1	CABLE, HEAT INDICATOR
38	F85843-1		1	REMOTE ELECTRIC CABLE, 18 FEET
39	F1851		2	FILL HD SCREW W/LOCKWASHER, 10 - 24 X 1/2
40	F404513		1	COIL CLAMP
41	F510374		1	DECAL, CIRCUIT BREAKER - USA

CONTINUED ON NEXT PAGE ➡

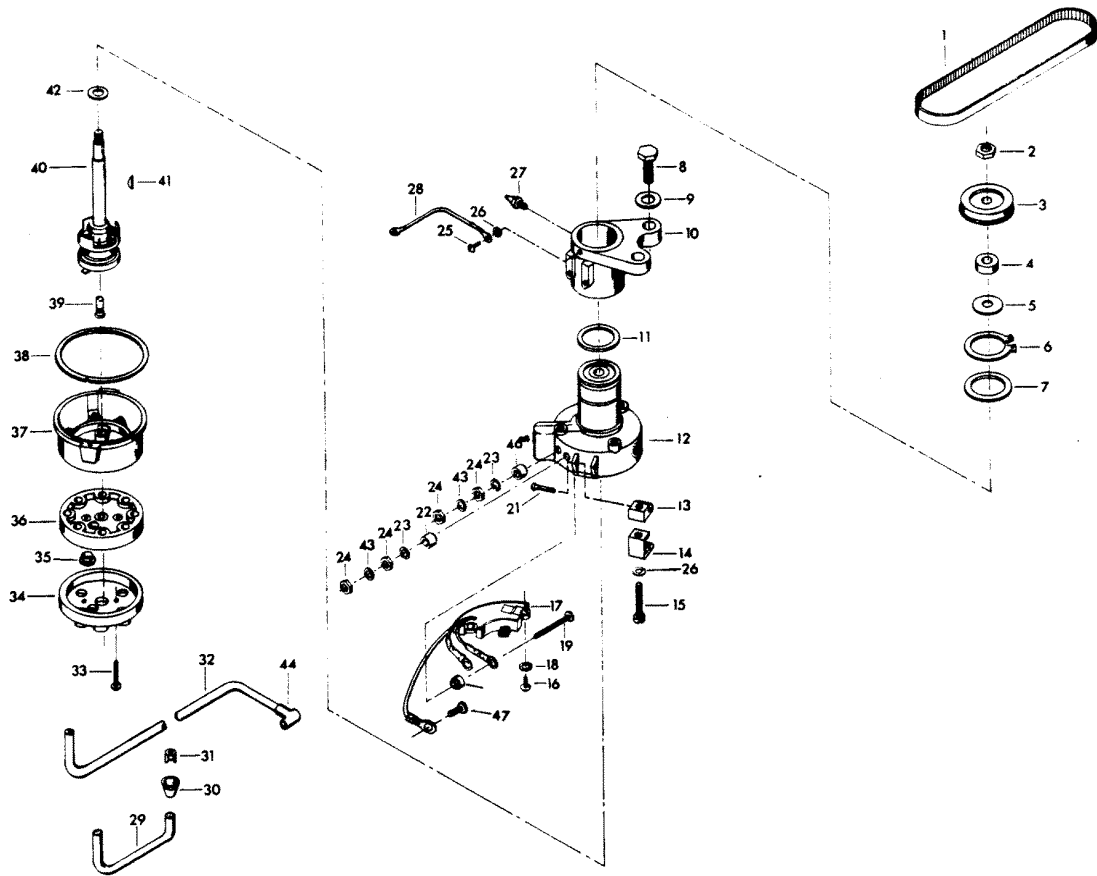
# ELECTRICAL COMPONENTS



# ELECTRICAL COMPONENTS

REF. NO.	PART NO.	SYM.	QTY.	DESCRIPTION
-	<b>FC510374</b>		1	<b>DECAL, CIRCUIT BREAKER - CANADA</b>
42	F1546		1	HEX HD CAP SCREW, 1/4 - 20 X 1/2
43	F8083		2	SPRING LOCKWASHER
44	F345475-1		1	COIL
45	300-817855A1		1	UNIT (ORIGINAL FORCE P/N A 523301-1)(Does not include Coil & Clamp)
46	F523962		3	SHOCK MOUNT - C.D. UNIT
47	F2000		1	HEX CAP SCREW, 5/16 - 18 X 3/4
49	F5H038		1	IGNITION SWITCH MOUNTING KIT (ACCESSORY ITEM)
-	<b>817892--1</b>		1	<b>IGNITION SWITCH PLATE - CANADA (NOT SHOWN)</b>
-	<b>F235785</b>		1	<b>DECAL, COMPLIANCE - CANADA (NOT SHOWN)</b>
50	F1934		4	FLAT HD SLOTTED SCREW, 6 X 1/2
51	F85664		1	WIRE, DISTRIBUTOR GROUND
52	F1645		2	RD HD SCREW, 6 - 32 X 1/4
53	F1892		3	STOP NUT
54	FA368700		-	KEY, IGNITION - NO LETTER OR STAMPED A
-	<b>FB368700</b>		-	<b>KEY IGNITION - STAMPED B</b>
-	<b>FC368700</b>		-	<b>KEY IGNITION - STAMPED C</b>
-	<b>FD368700</b>		-	<b>KEY IGNITION - STAMPED D</b>
-	<b>FE368700</b>		-	<b>KEY IGNITION - STAMPED E</b>
55	480373		1	DECAL, MAGNAPOWER IGNITION
56	F474387		1	TIMING DECAL - USA
-	<b>FC474387</b>		1	<b>TIMING DECAL - CANADA</b>
57	F319908		1	WIRE, GROUND

# DISTRIBUTOR

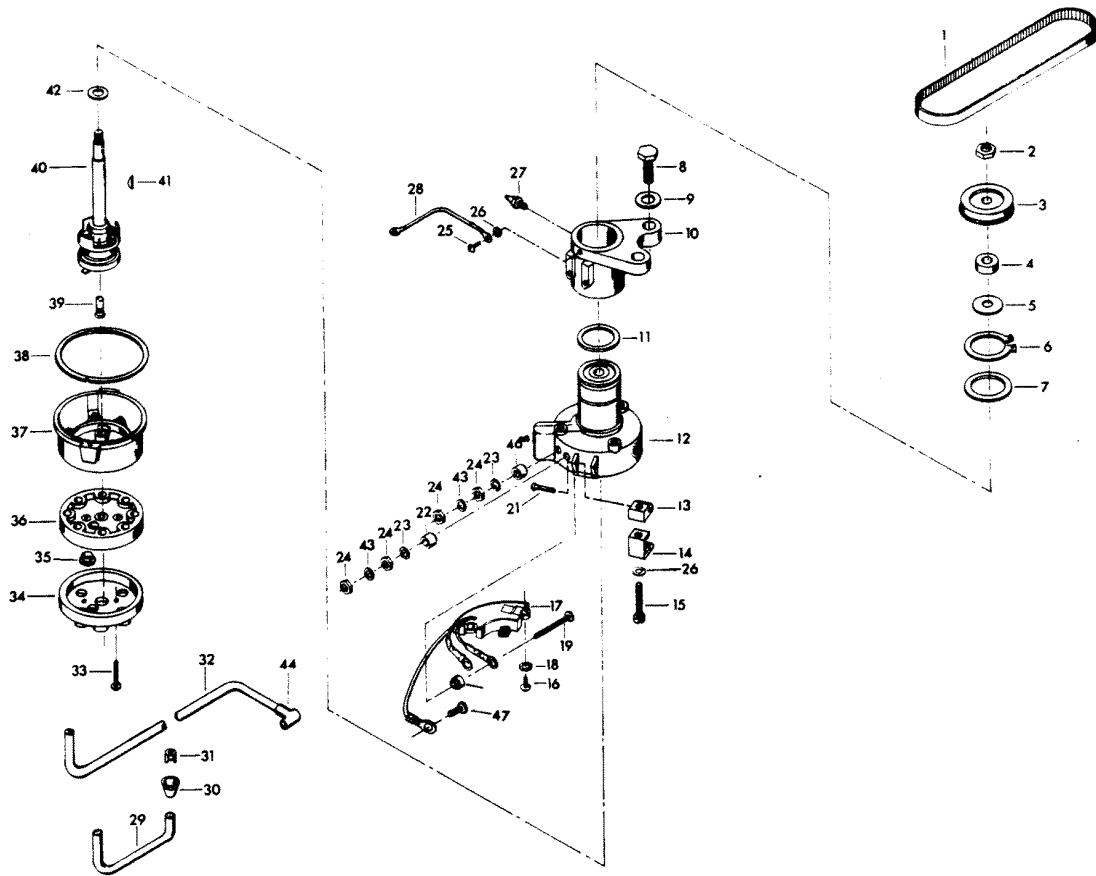


# DISTRIBUTOR

REF. NO.	PART NO.	SYM.	QTY.	DESCRIPTION
1	F85311		1	DISTRIBUTOR BELT
2	F7013		1	STOP NUT
3	817786A1		1	DISTRIBUTOR PULLEY W/STOP NUT & WASHER
4	F14025		1	SPACER
5	F14028		1	THRUST WASHER
6	F85173		1	RETAINING RING
7	F14029		1	THRUST WASHER
8	F1612		2	HEX CAP SCREW, 3/8 - 16 X 1 1/4
9	F1778		2	PLAIN WASHER
10	FA321574		1	DISTRIBUTOR BRACKET
11	F1759		2	SHIM, DISTRIBUTOR (QTY. AS REQUIRED)
12	F14042		1	DISTRIBUTOR HOUSING W/BEARINGS
-	<b>817822A1</b>		<b>1</b>	<b>DISTRIBUTOR, COMPLETE. (INCLUDES ALL ITEMS MARKED WITH AN ASTERISK (*) ORIGINAL FORCE P/N A 480309-1</b>
-	<b>481373-1</b>		<b>1</b>	<b>DECAL "ELECTRONIC" (NOT SHOWN)</b>
13	F14036		2	SWIVEL
14	F14037		2	CAP CLIPS
15	F14038		2	CAP CLIP SCREWS
16	F14045		2	SCREW
17	FA14048-2		1	PREAMPLIFIER
18	F8056		2	LOCKWASHER
19	F14046		2	TERMINAL SCREW
20	F14047		2	TERMINAL INSULATOR (INSIDE)
21	F14015		2	CAP CLIP RIVET
22	F14049		1	TERMINAL INSULATOR (OUTSIDE)
23	F14041		2	EXTERNAL TOOTH LOCKWASHER
24	F1647		4	HEX NUT, 8 - 32
25	F1760		2	PAN HD SCREW, 10 - 24 X 3/8
26	F1975		2	SPRING LOCKWASHER
27	F213274		1	GREASE FITTING
28	F85664		1	DISTRIBUTOR GROUND
29	84-817775A1		1	COIL WIRE W/TERMINAL CLIP - USA
-	<b>F438905</b>		<b>1</b>	<b>COIL WIRE - CANADA</b>
30	F203276		1	BOOT
31	F203673		1	TERMINAL CLIP
32	F321841-3		3	LEAD WIRE
-	<b>F438841-1</b>		<b>3</b>	<b>LEAD WIRE - CANADA</b>
33	F14007		2	CAP SCREW
34	F14011-1		1	CAP COVER
35	F14040		2	VENT
36	F14020-1		1	CAP SEAL
37	F14006-2		1	CAP BASE
38	F14030		1	CAP GASKET

CONTINUED ON NEXT PAGE ➡

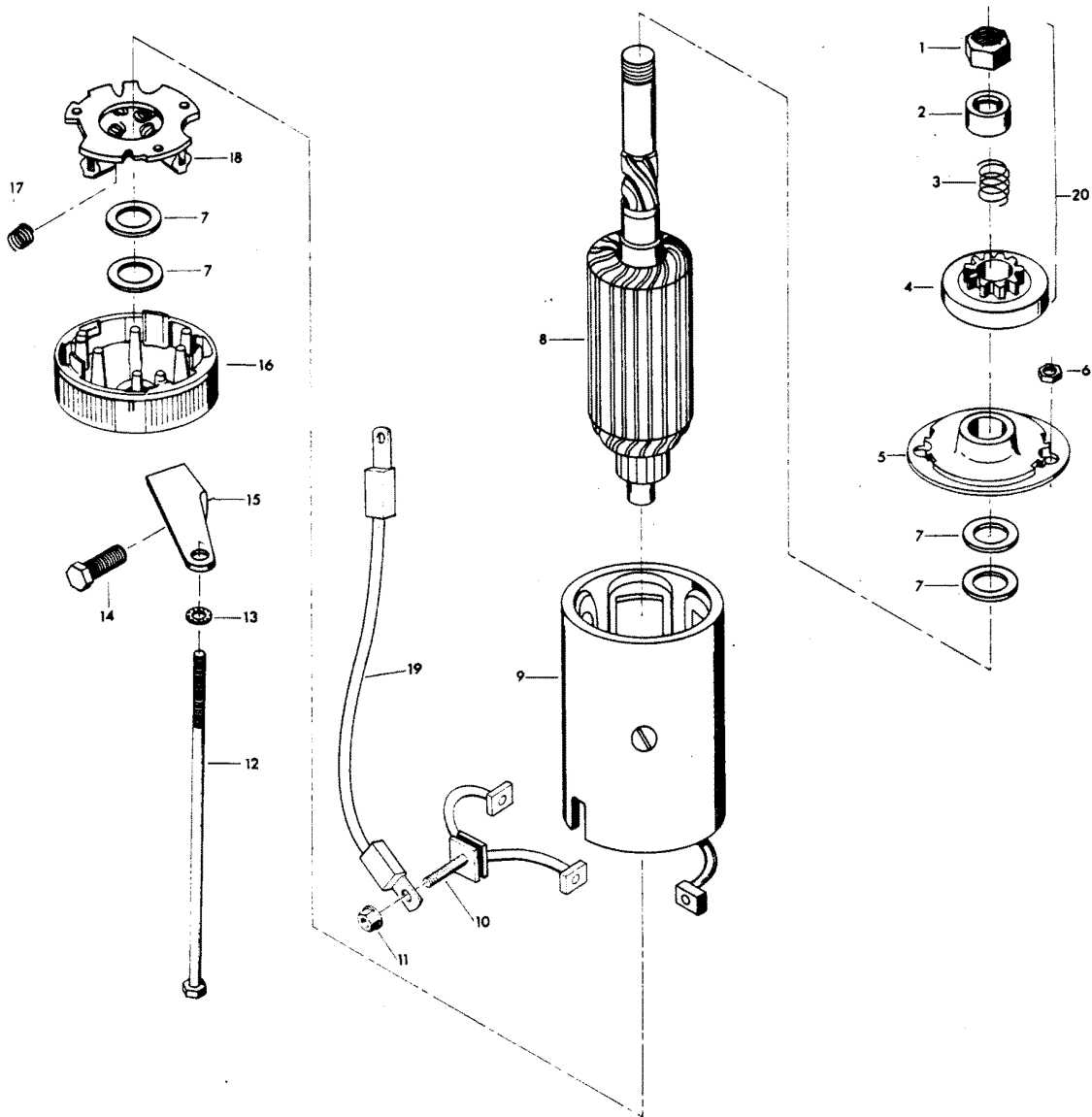
# DISTRIBUTOR



# DISTRIBUTOR

REF. NO.	PART NO.	SYM.	QTY.	DESCRIPTION
39	F14012-1		1	BRUSH
40	F14043		1	DISTRIBUTOR SHAFT
41	F1692		1	WOODRUFF KEY
42	F14024		1	SPACER
43	F8056		2	LOCKWASHER
44	FK750-3		3	SPARKIE
46	F14017		1	TERMINAL INSULATOR (OUTSIDE)
47	F14056		1	SCREW

# ELECTRIC STARTER

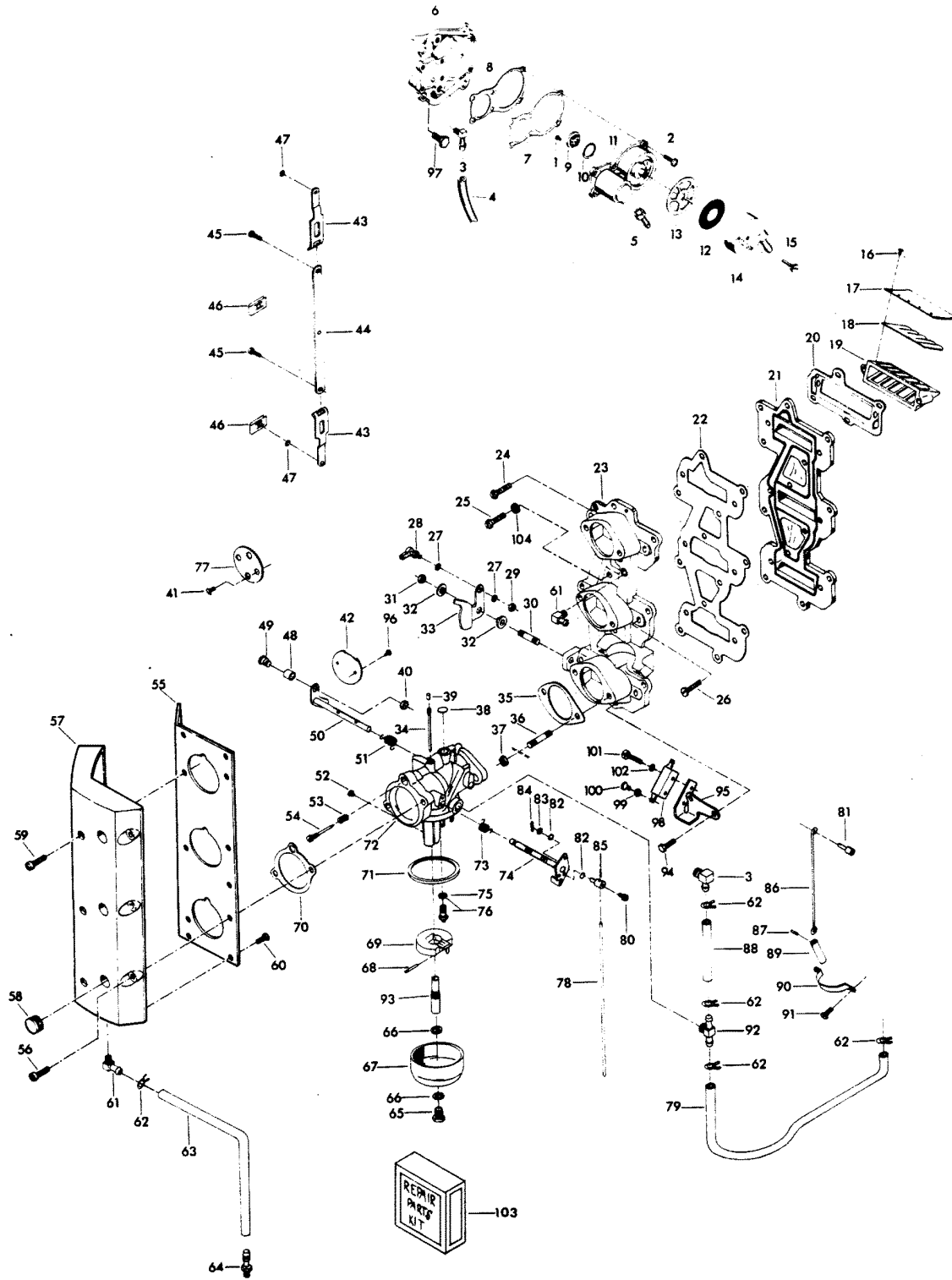




# ELECTRIC STARTER

REF. NO.	PART NO.	SYM.	QTY.	DESCRIPTION
1	F15111		1	NUT, STOP RETAINING
2	F15112		1	STOP, PINION
3	F15080		1	SPRING
4	F15110		1	CLUTCH ASSEMBLY
5	F15167		1	HEAD ASSEMBLY DRIVE END
6	F1641		2	LOCK NUT
7	F15126		1	THRUST WASHER PACKAGE
8	F15099		1	ARMATURE
9	15169		1	FRAME AND FIELD ASSEMBLY
10	F15165		1	BRUSH TERMINAL SET
11	FA15072		1	HEX LOCK NUT, 1/4 - 20
12	F15168		1	THRU BOLT PACKAGE
13	F8028		2	PLAIN WASHER
14	F1502		1	HEX HD SCREW, 1/4 - 20 X 5/8
15	F511675		1	STARTER BRACKET, LOWER
16	F15125		1	HEAD ASSEMBLY, COMMUTATOR END
17	F15034		1	SPRING SET
18	F15057		1	BRUSH PLATE AND HOLDER
19	F85908		1	STARTER LEAD WIRE
20	F15100		1	BENDIX
-	<b>FS480955</b>		<b>1</b>	<b>STARTER COMPLETE. INCLUDES ALL ITEMS MARKED WITH AN ASTERISK (*)</b>
-	<b>FC499390</b>		<b>1</b>	<b>DECAL, STARTER (CANADA) NOT SHOWN</b>

# CARBURETOR

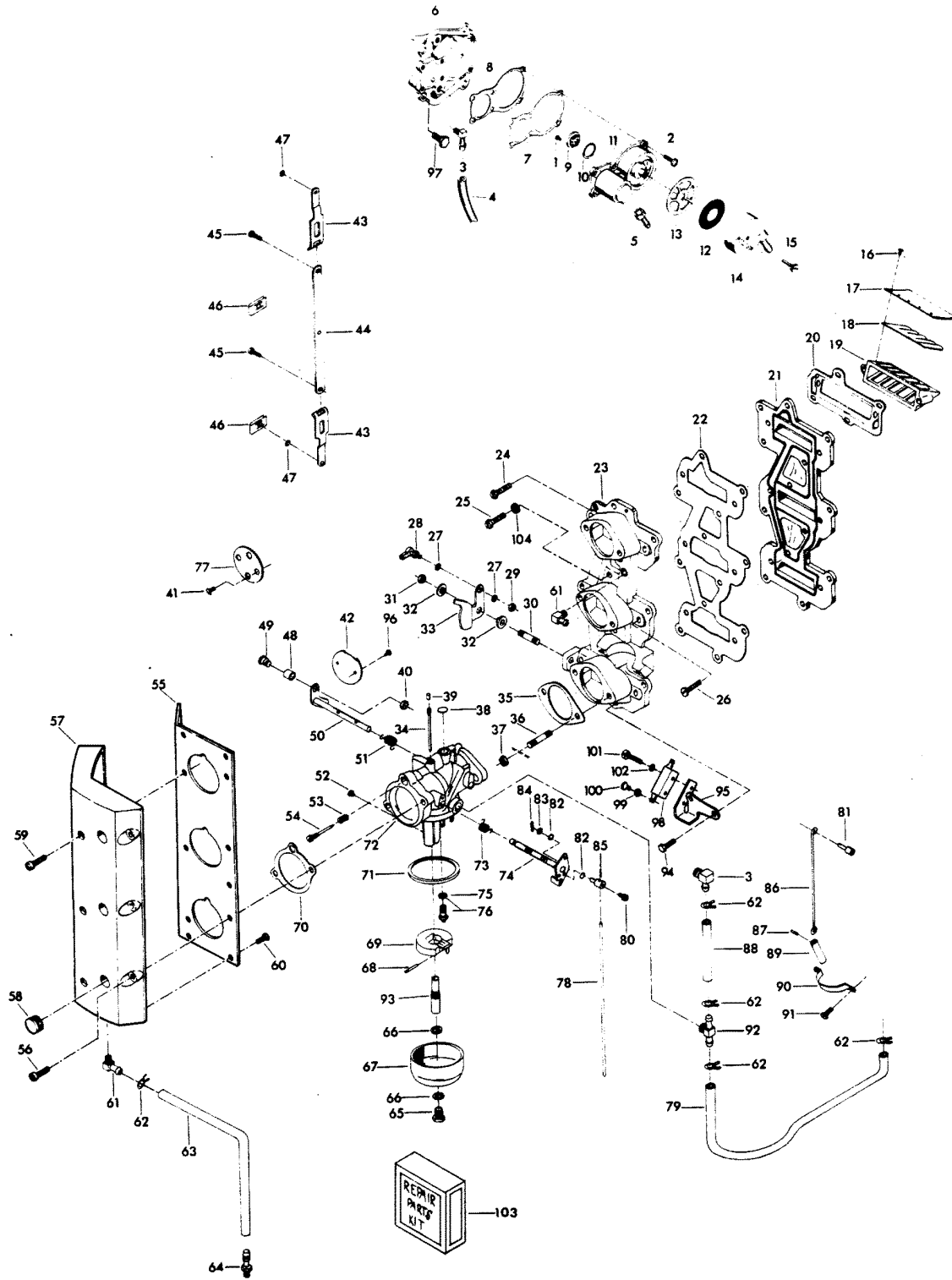


# CARBURETOR

REF. NO.	PART NO.	SYM.	QTY.	DESCRIPTION
1	F1860		2	SLOTTED BINDING HD SCREW, 6 - 32 X 1/4
2	F1108		6	FILL HD SCREW W/LOCKWASHER, 1/4 - 20 X 3/4
3	F84314-2		2	ELBOW
4	F89758		1	FUEL PUMP AIR HOSE, TOP
5	F438801		1	FITTING
6	FA439746		1	FUEL PUMP COVER W/PLUG
7	F438747		1	FUEL PUMP DIAPHRAGM
8	F438760		1	FUEL PUMP GASKET
9	F177330		3	FUEL PUMP VALVE
10	F84792		1	GASKET, FUEL PUMP VALVE
11	FA438431		1	FUEL PUMP BODY W/VALVES
12	F438653		1	FUEL SEDIMENT BOWL SCREEN
13	F438617		1	FUEL SEDIMENT BOWL GASKET
14	F438500		1	FUEL SEDIMENT BOWL
15	F438165		1	SCREW, FUEL PUMP BOWL
16	F1755		30	RD HD SCREW W/LOCKWASHER, 6 - 32 X 5/16
17	F85161-1		6	REED STOP
18	F530160		6	REED (5 PETAL)
19	F3A523158		3	REED PLATE W/REEDS, REED STOP AND SCREW
20	F85168		3	GASKET REED PLATE ADAPTER
21	F85162		1	REED PLATE ADAPTER
22	F85159		1	GASKET, INTAKE MANIFOLD
23	817959A3		1	INTAKE MANIFOLD W/PLUG
24	F2008		7	HEX HD SCREW, 1/4 - 20 X 7/8
25	F1916		2	HEX HD SCREW, 1/4 - 20 X 1 1/8
26	F2050		6	HEX HD SCREW, 1/4 - 20 X 1 1/2
27	F8058		2	INTERNAL TOOTH LOCKWASHER
28	817747--1		1	BALL JOINT W/STUD
29	F1513		1	HEX NUT, 10 - 32
30	F433209-1		1	STUD
31	F1910		1	STOP NUT, 1/4 - 20
32	F269319		2	BEARING
33	F85192-1		1	THROTTLE CAM
34	FO13966		1	IDLE TUBE
35	F85906		3	CARBURETOR GASKET
36	F40209		6	CARBURETOR STUD
37	F1515		6	HEX NUT, 5/16 - 18
38	FO4326		1	BODY CHANNEL WELCH PLUG
39	FO10588		1	BODY CHANNEL CUP PLUG
40	F1997		1	STOP NUT, 8 - 32
41	FO8942		2	SHUTTER SCREW W/LOCKWASHER
42	FO14167		1	THROTTLE SHUTTER
43	FA85193		2	TIE BAR END W/SWIVEL

CONTINUED ON NEXT PAGE ➡

# CARBURETOR

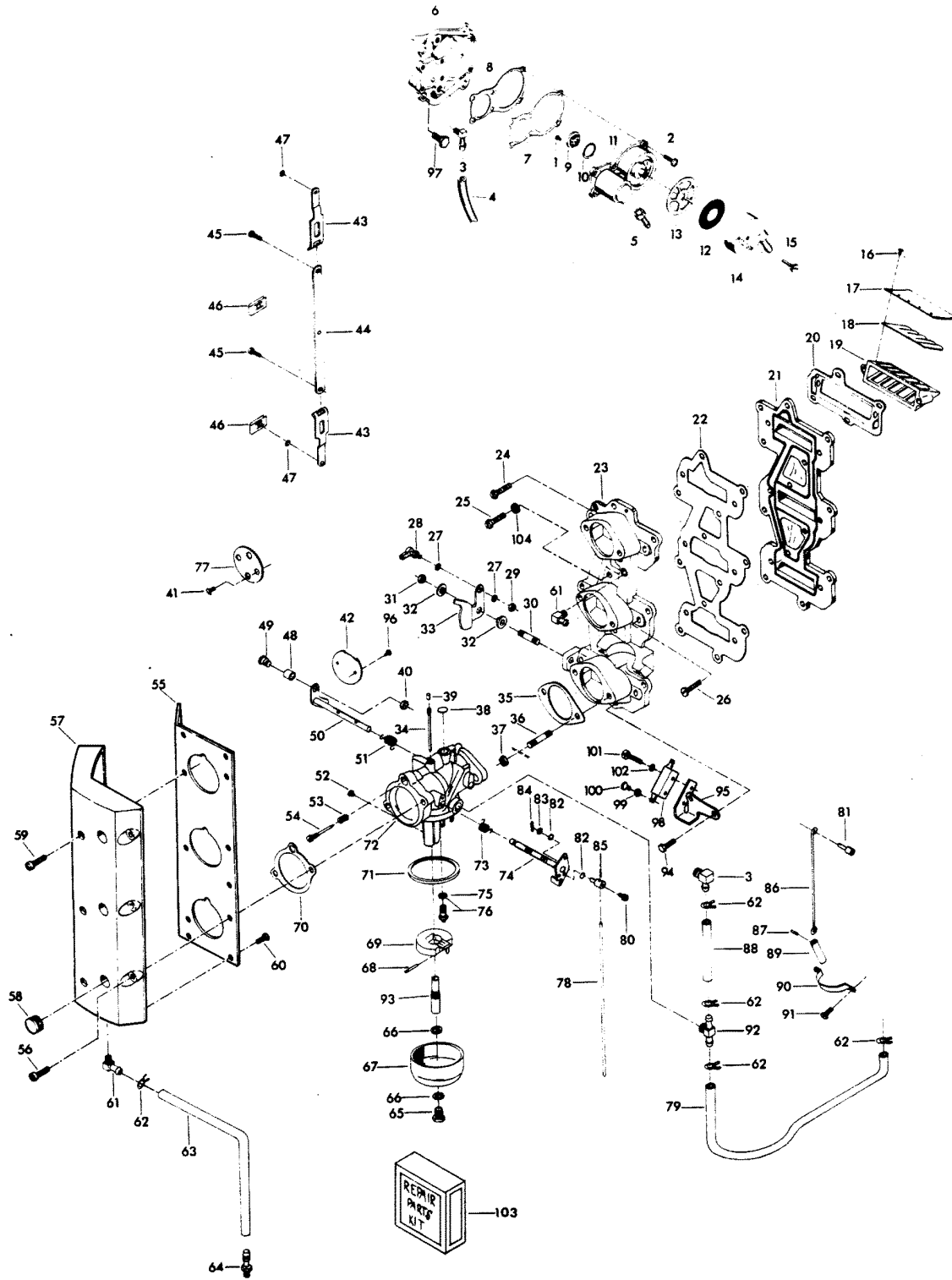


# CARBURETOR

REF. NO.	PART NO.	SYM.	QTY.	DESCRIPTION
44	FA85511		1	THROTTLE TIE BAR W/SWIVEL
45	F1064		2	FILL HD SCREW, S.S., 8 - 32 X 3/8
46	F1693		2	TIE BAR RETAINER
47	F90807		3	RETAINING RING
48	F92759		1	THROTTLE ROLLER
49	F333316		1	THROTTLE ROLLER SHAFT
50	FO15230		1	THROTTLE SHAFT AND LEVER
51	FO16008		1	THROTTLE SHAFT RETURN SPRING
52	FO14188		1	MAIN FUEL JET (.066) STD. SEA LEVEL - 1500 FT.
-	<b>FO14108</b>		-	<b>MAIN FUEL JET (.064) OPT. 1500 FT. - 3000 FT.</b>
-	<b>FO14187</b>		-	<b>MAIN FUEL JET (.062) OPT. 3000 FT. - 4500 FT.</b>
-	<b>FO14186</b>		-	<b>MAIN FUEL JET (.060) OPT. 4500 FT. - 6000 FT.</b>
-	<b>FO15337</b>		-	<b>MAIN FUEL JET (.058) OPT. 6000 FT. &amp; UP. OPTIONAL SIZE MAIN FUEL JETS (USE ONLY AT ALTITUDES INDICATED)</b>
53	FO11103		1	IDLE SCREW SPRING
54	FO14166		1	IDLE SCREW
55	F481567		1	CARBURETOR INTAKE ADAPTER
56	F1504		3	FILL HD SCREW, 1/4 - 20 X 1 1/4
57	F481860-1		1	CARBURETOR, INTAKE
58	F53504		3	GROMMET
59	F1072		3	FILL HD SCREW, 1/4 - 20 X 1 3/4
60	F1760		6	PAN HD SCREW, 10 - 24 X 3/8
61	22-818103--1		2	ELBOW
62	F97772		6	HOSE CLAMP
63	F63754		1	HOSE INTAKE DRAIN
64	22-817789A1		1	DRAIN FITTING
65	FO13945		1	FUEL BOWL RETAINING SCREW
66	FO2510		2	GASKET, FUEL BOWL RETAINING SCREW
67	FO13552		1	FUEL BOWL
68	FO13944		1	FLOAT LEVER PIN
69	FO13554		1	FLOAT
70	F481836		3	INTAKE GASKET
71	FO15623		1	FUEL BOWL GASKET
72	F498061-1		3	CARBURETOR COMPLETE (WB26B)
73	FO16397		1	CHOKE SHAFT RETURN SPRING
74	FO16850		1	CHOKE SHAFT AND LEVER
75	FO10165		1	INLET SEAT GASKET
76	FO10790		1	INLET NEEDLE, SEAT AND GASKET
77	FO14471		1	CHOKE SHUTTER
78	F85509-1		1	CHOKE LINK
79	F438754		1	FUEL LINE
80	F1059		3	FILL HD SCREW, S.S., 6 - 32 X 1/4
81	F85033		1	CHOKE ROD SWIVEL

CONTINUED ON NEXT PAGE ➡

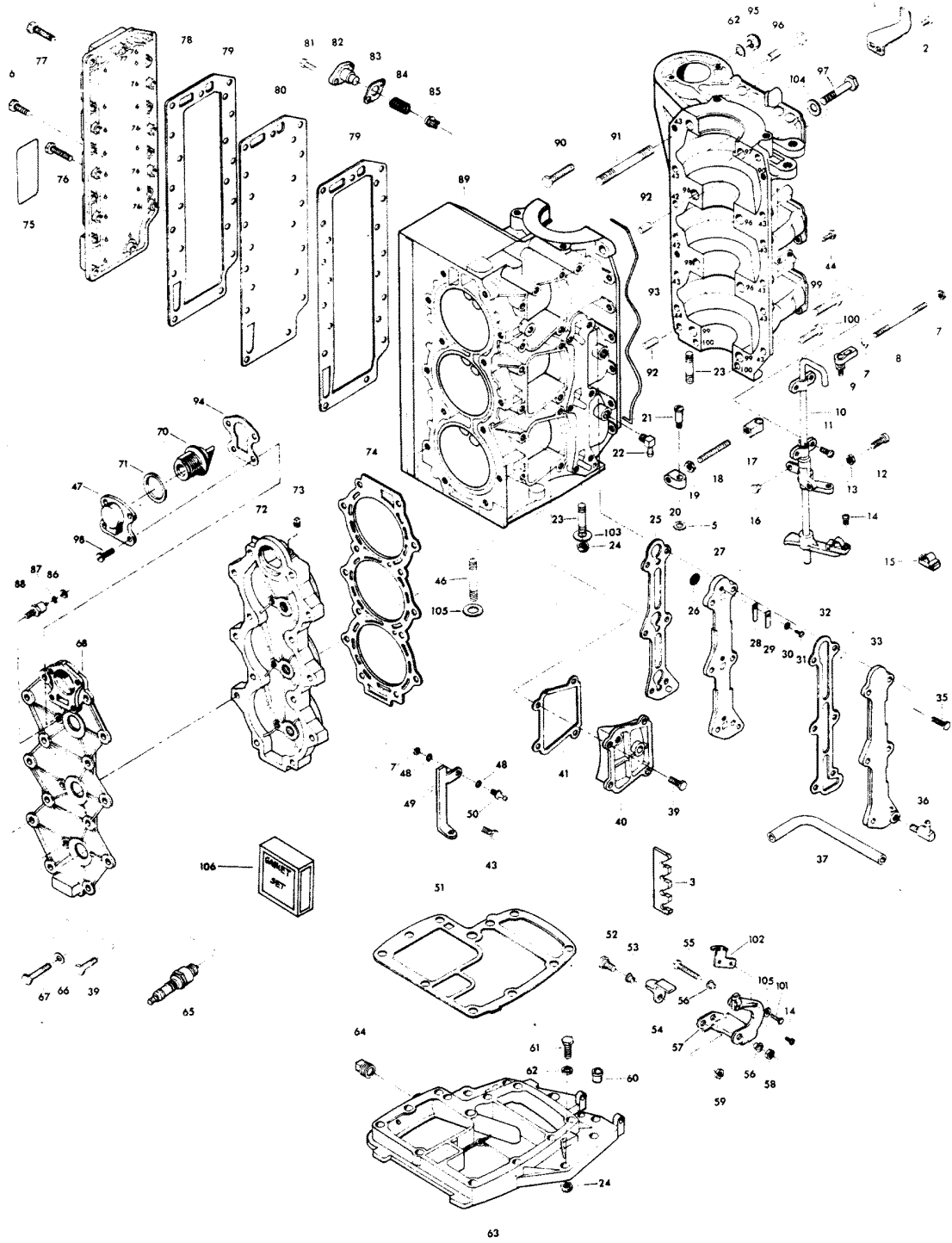
# CARBURETOR



# CARBURETOR

REF. NO.	PART NO.	SYM.	QTY.	DESCRIPTION
82	F184579		6	SEAL, CHOKE ARM SWIVEL
83	F8088		3	PLAIN WASHER
84	F1014		3	COTTER PIN
85	F184033-1		2	CHOKE ARM SWIVEL
86	F85925		1	CHOKE ROD
87	F2033		1	GROOVE PIN
88	F85253-1		2	FUEL LINE
89	F391926-1		1	CHOKE SOLENOID PLUNGER
90	F85317-1		1	CLAMP
91	F1545		2	HEX HD SCREW, 1/4 - 20 X 1/2
92	F85314-1		2	FUEL FITTING
93	FO15209		1	MAIN NOZZLE
94	F1532		3	HEX HD SCREW, 1/4 - 20 X 1
95	F480551-1		1	BRACKET INTERLOCK SWITCH
96	FO8942		2	THROTTLE SHUTTER SCREW AND LOCKWASHER
97	F1502		4	HEX CAP SCREW, 1/4 - 20 X 5/8
98	F84449		1	INTERLOCK SWITCH
99	F1704		2	INTERNAL TOOTH LOCKWASHER
100	F1645		2	RD HD SCREW, 6 - 32 X 1/4
101	F2016		2	FILL HD SCREW, 6 - 32 X 7/8
102	F8088		2	PLAIN WASHER
-	<b>F10000</b>		<b>1</b>	<b>GASKET SET (NOT SHOWN)</b>
103	F10026		1	REPAIR PARTS KIT INCLUDES ALL ITEMS MARKED WITH AN ASTERISK (*).

# POWERHEAD



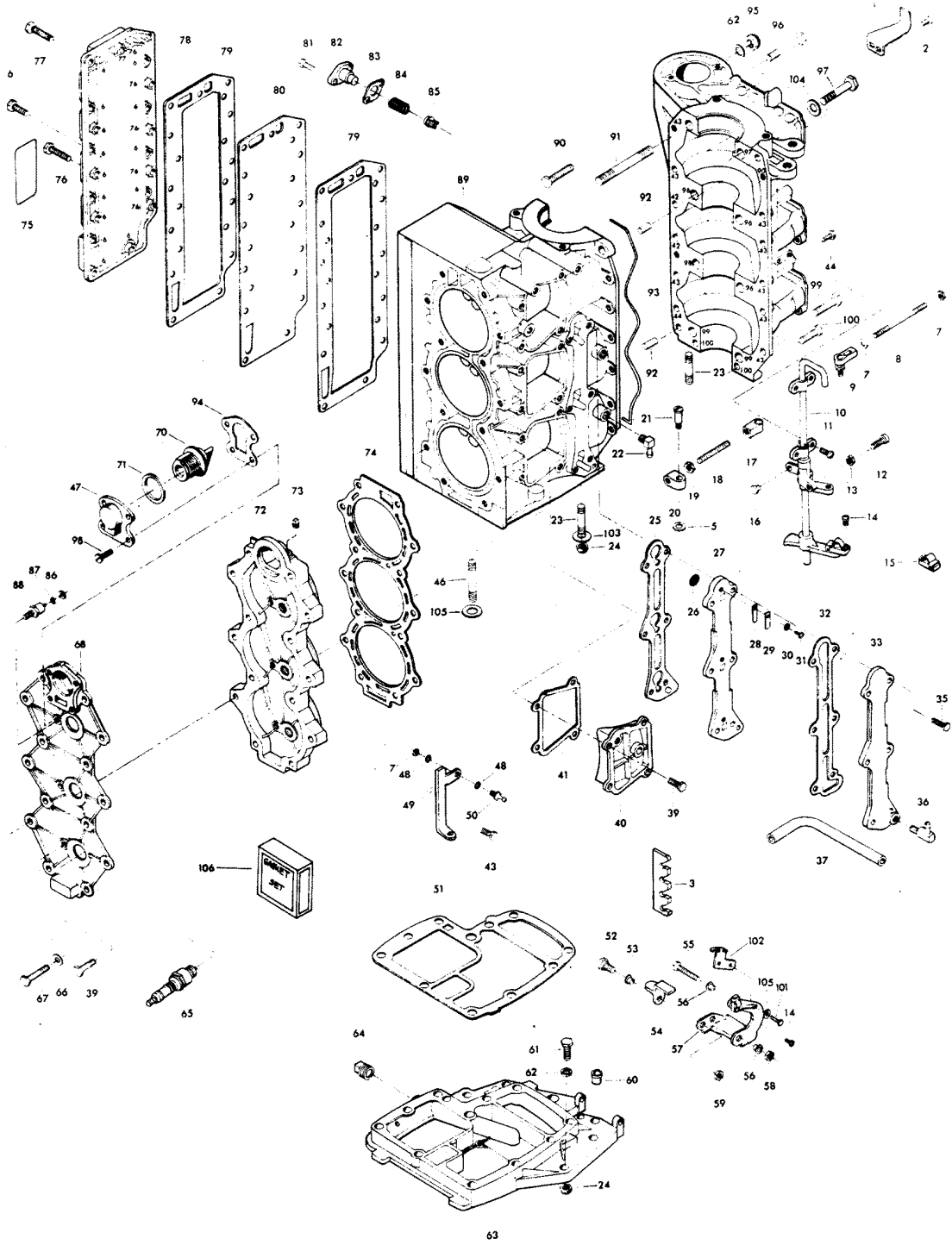


# POWERHEAD

REF. NO.	PART NO.	SYM.	QTY.	DESCRIPTION
1	FA480894		1	TIMING POINTER
2	F1760		2	PAN HD SCREW, 10 - 24 X 3/8
3	F523834		1	CLIP, SPARK PLUG WIRE
5	F2042		1	PLAIN WASHER
6	F1533		14	HEX BOLT, 1/4 - 20 X 7/8
7	F1513		4	HEX NUT, 10 - 32
8	F85502		1	THROTTLE LINK
9	817747--1		1	BALL JOINT W/STUD
10	FA85838-5		1	TOWERSHAFT W/BEARINGS, SWIVEL, ARMS AND SCREWS
11	F1475		4	FILL HD SCREW, 10 - 24 X 1/2
12	F1504		1	FILL HD SCREW, 1/4 - 20 X 1 1/4
13	F1341		1	HEX NUT, 1/4 - 20
14	F1556		2	FILL HD SCREW W/LOCKWASHER, 10 - 24 X 3/8
15	FK405020		2	SWIVEL W/PIVOT SCREW AND NUT
16	F1727		1	PLASTIC RIVET
17	F85036		1	TOWERSHAFT CONTROL ROD END
18	F85445		1	DISTRIBUTOR CONTROL ROD
19	F2015		1	HEX NUT, 1/4 - 28
20	F85035		1	DISTRIBUTOR CONTROL ROD END
21	F85026		1	SWIVEL
22	F84314-2		1	ELBOW
23	F85859		4	STUD, FORWARD
24	F7004		10	STOP NUT, 3/18 - 16
25	F85748-2		1	GASKET, CYLINDER DRAIN REED PLATE
26	F93811		3	SCREEN
27	F2A404757		1	CYLINDER DRAIN REED PLATE W/REEDS, STOPS, METERNG CUP & SCRW
28	F18160-2		3	REED
29	F93920		3	REED STOP
30	F8003		3	PLAIN WASHER
31	F1286		3	PAN HD SCREW, 4 - 40 X 3/16
32	F85472-2		1	GASKET, CYLINDER DRAIN COVER
33	817787A1		1	CYLINDER DRAIN COVER W/PLUG
35	F1532		6	HEX HD SCREW, 1/4 - 20 X 1
36	F404801		1	FITTING
37	F433253		1	HOSE
39	F1540		8	HEX HD SCREW, 1/4 - 20 X 5/8
40	FA411222		2	TRANSFER PORT COVER W/PLUG
41	F40223		3	GASKET, TRANSFER PORT COVER
42	F1534		2	HEX CAP SCREW, 1/4 - 20 X 7/8
43	F1532		10	HEX HD SCREW, 1/4 - 2 X 3/4
44	F1199		1	HEX CAP SCREW, 1/4 - 20 X 1
46	F85211		6	STUD, REAR

CONTINUED ON NEXT PAGE ➡

# POWERHEAD

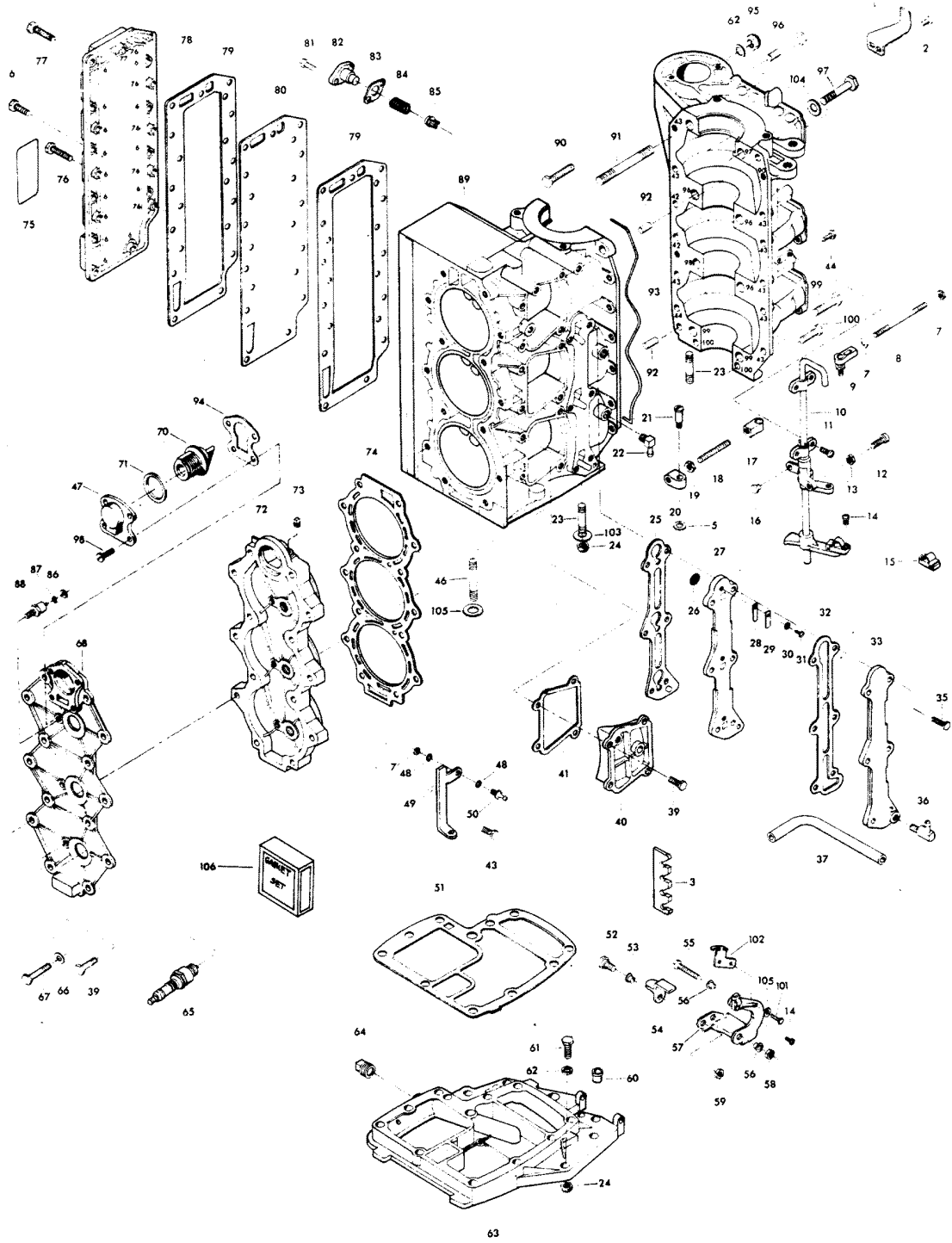


# POWERHEAD

REF. NO.	PART NO.	SYM.	QTY.	DESCRIPTION
47	F476066-1		1	COVER, THERMOSTAT
48	F8058		4	INTERNAL TOOTH LOCKWASHER
49	85872-1		1	BRACKET
50	F98273		2	ROD END CONNECTOR STUD
51	F85279-2		1	CYLINDER EXHAUST GASKET, UPPER
52	F369887		1	SHOULDER SCREW
53	F369610		1	BEARING
54	F369977-1		1	INTERLOCK ARM
55	F1885		1	HEX BOLT, 5/16 - 18 X 4 1/4
56	F85610		2	BEARING
57	FA480876		1	GEAR SHIFT ARM W/SWIVEL, INTERLOCK ARM AND BEARINGS
58	F2108		1	STOP NUT, 5/16 - 18
59	F1832		1	STOP NUT, 1/4 - 20
60	F40689-1		1	BEARING, TOWERSHAFT
61	F1869		6	HEX BOLT, 3/8 - 16 X 1 1/4
62	F1703		6	SPRING LOCKWASHER
63	817788A3		1	SPACER PLATE W/PLUGS
64	F2090		1	PLUG
65	33-97180		3	SPARK PLUG (CHAMPION L-20-V)
-	<b>FC522227</b>		<b>3</b>	<b>SPARK PLUG (CHAMPION QUL-77V) FOR CANADA</b>
66	F1087		14	PLAIN WASHER
67	F1883		14	HEX BOLT, 5/16 - 18 X 2 3/8
68	F499995		1	CYLINDER HEAD COVER
70	F528068		1	THERMOSTAT
71	F84504		1	GROMMET
72	F480518		1	CYLINDER HEAD
73	F19109		1	PLUG
74	F369529		1	CYLINDER HEAD GASKET
75	F438398		1	DECAL, WIRING - USA
-	<b>FC438398</b>		<b>1</b>	<b>DECAL, WIRING - CANADA</b>
76	F1709		5	HEX HD SCREW, 1/4 - 20 X 1 1/8
77	F1708		1	HEX HD SCREW, 1/4 - 20 X 1 3/8
78	F85152-4		1	EXHAUST PORT COVER
79	F85154-1		2	GASKET, EXHAUST PORT PLATE
80	F85151-1		1	EXHAUST PORT PLATE
81	F1950		2	HEX HD SCREW, 10 - 24 X 5/8
82	F438066		1	BY-PASS VALVE COVER
83	F85762		1	GASKET, BY-PASS VALVE
84	F404268		1	SPRING, BY-PASS VALVE
85	F85916-1		1	BY-PASS VALVE
86	F1647		1	HEX NUT, 10 - 32
87	F8056		1	SPRING LOCKWASHER

CONTINUED ON NEXT PAGE ➡

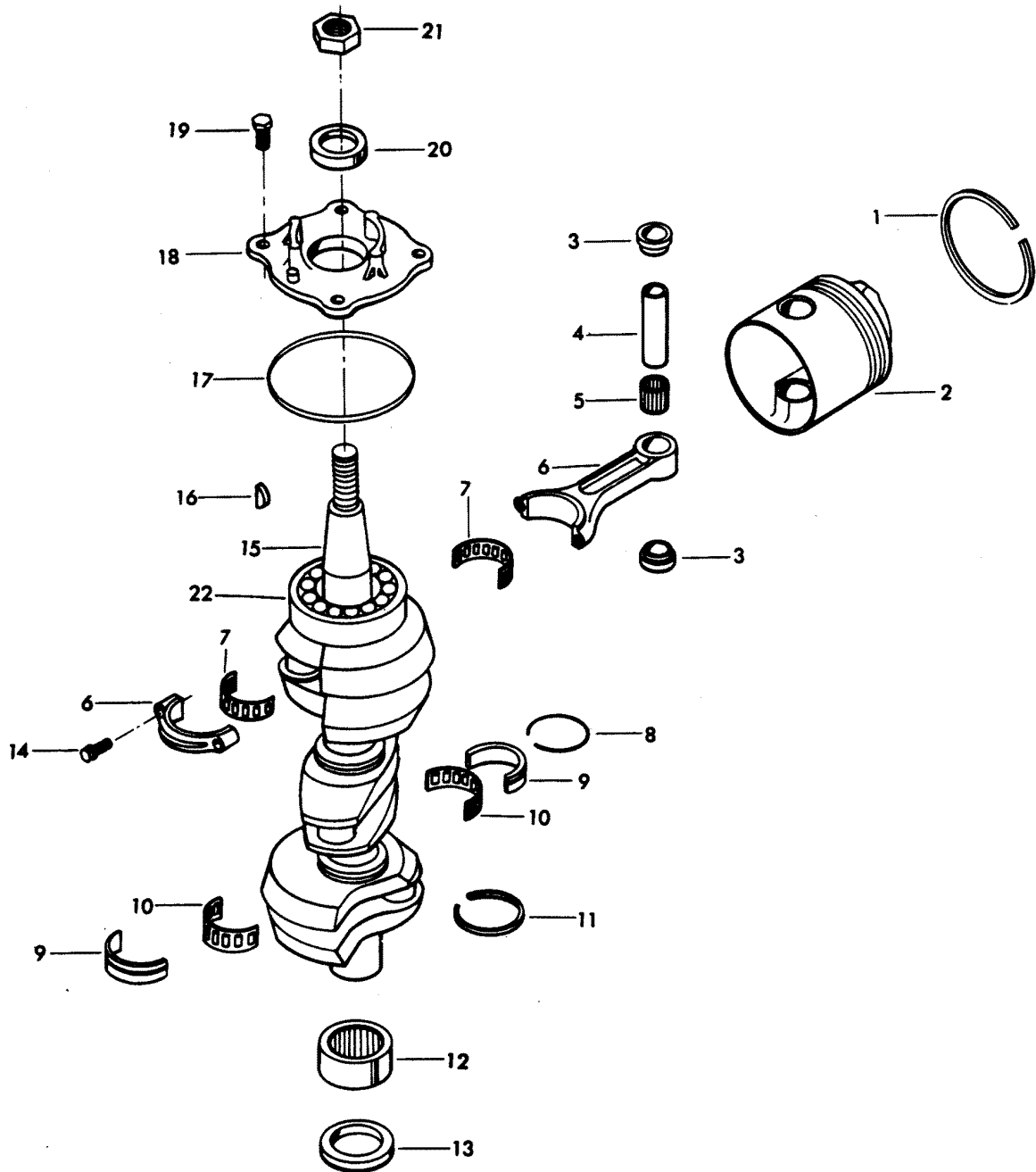
# POWERHEAD



# POWERHEAD

REF. NO.	PART NO.	SYM.	QTY.	DESCRIPTION
88	87-817778A1		1	THERMOSWITCH
89	FA480010		1	CYLINDER ASSEMBLY W/PRTNG LINE SEAL & LOWR MAIN BEARNG ASS'Y
-	<b>FC548010</b>		<b>1</b>	<b>SHORT BLOCK. INCLUDES ALL ITEMS MARKED WITH AN ASTERISK (*). ALSO REFER TO CRANKSHAFT PAGE.</b>
90	F1535		1	HEX HD SCREW, 1/4 - 20 X 3/4
91	F85210		1	STUD
92	F8563		2	DOWEL PIN
93	F85122		1	PARTING LINE SEAL
94	F476067		1	GASKET, THERMOSTAT COVER
95	F1347		1	HEX NUT, 3/8 - 16
96	F1873		4	HEX BOLT, 3/8 - 16 X 3
97	F1009		1	HEX BOLT, 3/8 - 16 X 2 3/4
98	F1110		4	FILL HD SCREW, 1/4 - 20 X 5/8
99	F1872		2	HEX BOLT, 3/8 - 16 X 1 3/4
100	F1099		2	FILL HD SCREW, 1/4 - 20 X 1 1/4
101	F2089		2	SLOTTED PAN HD MACHINE SCREW, 10 - 24 X 5/16
102	F480107-1		1	CAM, STARTER INTERLOCK
103	F8038		4	PLAIN WASHER
104	F8095		14	PLAIN WASHER
105	F2042		2	PLAIN WASHER
106	FG1020		1	GASKET SET (INCLUDES THE FOLLOWING)
-	<b>F40223</b>		<b>3</b>	<b>TRANSFER PORT COVER GASKET</b>
-	<b>F84278</b>		<b>1</b>	<b>CRANKSHAFT BRG. CAGE SEAL</b>
-	<b>F84504</b>		<b>1</b>	<b>THERMOSTAT GROMMET</b>
-	<b>F85122</b>		<b>1</b>	<b>CRANKCASE SEAL</b>
-	<b>F85154-1</b>		<b>2</b>	<b>EXHAUST PORT PLATE GASKET</b>
-	<b>F85159</b>		<b>1</b>	<b>MANIFOLD GASKET</b>
-	<b>F85168</b>		<b>3</b>	<b>CARBURETOR ADAPTER FLANGE GASKET</b>
-	<b>F85279-2</b>		<b>1</b>	<b>CYLINDER, EXHAUST - UPPER GASKET</b>
-	<b>F85472-2</b>		<b>1</b>	<b>CYLINDER DRAIN COVER GASKET</b>
-	<b>F85748-2</b>		<b>1</b>	<b>CYLINDER DRAIN REED PLATE GASKET</b>
-	<b>F85762</b>		<b>1</b>	<b>BY-PASS VALVE PLATE GASKET</b>
-	<b>F85906</b>		<b>3</b>	<b>CARBURETOR GASKET</b>
-	<b>F369529</b>		<b>1</b>	<b>CYLINDER HEAD GASKET</b>
-	<b>F476067</b>		<b>1</b>	<b>THERMOSTAT COVER GASKET</b>
-	<b>F481836</b>		<b>3</b>	<b>INTAKE GASKET</b>

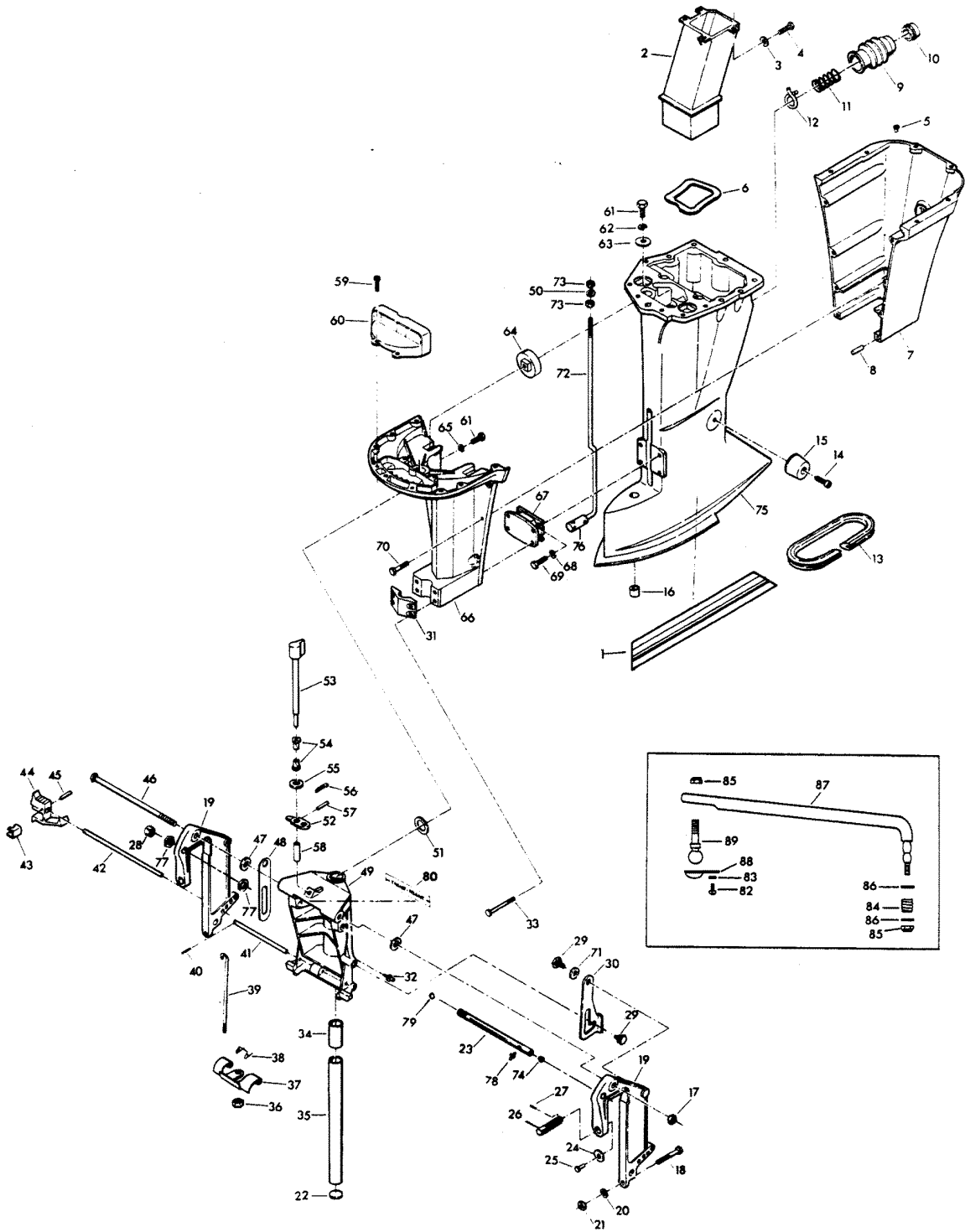
# CRANKSHAFT AND PISTON GROUP



# CRANKSHAFT AND PISTON GROUP

REF. NO.	PART NO.	SYM.	QTY.	DESCRIPTION
1	FA335260		3	PISTON RING SET (3 PER SET) STANDARD
-	<b>FSA335260</b>		<b>3</b>	<b>PISTON RINGS (3 PER SET) .010 OVERSIZE</b>
-	<b>39-818110A1</b>		<b>3</b>	<b>PISTON RINGS (3 PER SET) .030 OVERSIZE</b>
2	700-F372015-3		3	PISTON (STANDARD)
-	<b>700-817988A2</b>		<b>3</b>	<b>PISTON .010 OVERSIZE</b>
-	<b>700-818111A2</b>		<b>3</b>	<b>PISTON .030 OVERSIZE</b>
3	F335215		6	SPACER, PISTON PIN (2 PER PISTON)
4	F85017		3	PISTON PIN
5	F335217-1		3	BEARING PISTON PIN (26 PER SET)
6	600-818052A4		3	CONNECTING ROD W/CAP AND SCREWS.
7	FK85228-1		3	BEARING CAGE W/ROLLER
8	F85410		2	SNAP RING
9	FA85655-1		2	CRANKSHAFT MAIN BEARING RACE W/SNAP RING
10	F85571		2	BEARING CAGE W/ROLLER
11	F316579		2	SEAL, CRANKCASE
12	FA523014		1	CRANKSHAFT LOWER MAIN BEARING W/SEAL
13	F523146		1	SEAL, CRANKSHAFT LOWER
14	F85634-2		6	CONNECTING ROD SCREW
15	FA85018-2		1	CRANKSHAFT W/BEARING
16	F85498		1	FLYWHEEL KEY
17	F84278		1	SEAL, CRANKSHAFT BEARING CAGE
18	31-817785A2		1	CRANKSHAFT BEARING CAGE W/SEAL
19	F1867		4	HEX CAP SCREW, 3/8 - 16 X 1
20	F84146-2		1	SEAL
21	F1968		1	FLYWHEEL NUT
22	F284659-2		1	CRANKSHAFT THRUST BEARING UPPER
-	<b>F2067</b>		<b>1</b>	<b>PLASTISOL CAP (NOT SHOWN). FOR EXPOSED THREADS OF CRANKSHAFT</b>

# MOTOR LEG



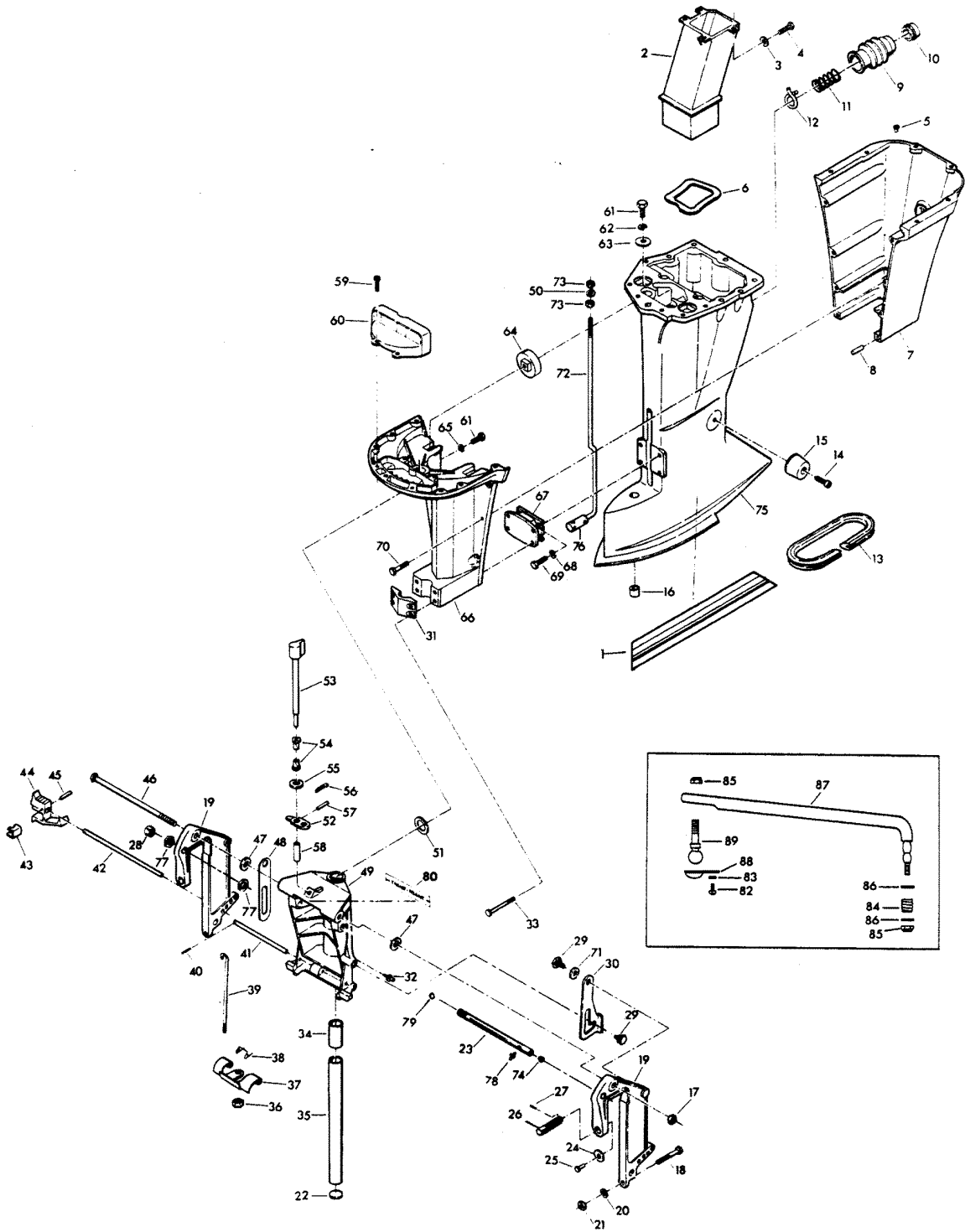


# MOTOR LEG

REF. NO.	PART NO.	SYM.	QTY.	DESCRIPTION
2	F85660-1		1	EXHAUST TUBE
3	F8083		4	SPRING LOCKWASHER
4	F1864		4	HEX SLOT HD SCREW, 1/4 - 20 X 3/4
5	F1729		2	PLUG
6	F439736		1	SEAL EXHAUST TUBE
7	817931A7		1	MOTOR LEG COVER, REAR <b>W/ILLUS. 5 &amp; 13 ORIGINAL FORCE P/N A 178145-3</b>
8	F1664		2	SPRING PIN
9	F85130		1	BOOT, IDLE EXHAUST
10	F85258		1	INSERT
11	F85380		1	SPRING
12	F85772		1	CLAMP
13	F178323		1	SEAL, MOTOR LEG
14	F1263		2	HEX SOCKET HD CAP SCREW, 5/16 - 18 X 9/16
15	F438962		2	SHOCK MOUNT SLIDE
16	F338618-1		1	SEAL, GEAR SHIFT ROD
17	F7012		1	LOCK NUT, 1/2 - 20
18	F1593		2	HEX HD SCREW, 3/8 - 16 X 3
19	1400-817958A6		2	STERN BRACKET
20	F1004		2	PLAIN WASHER
21	F1346		2	HEX NUT, 3/8 - 16
22	F1528		1	WELCH PLUG
23	F511125-2		1	TUBE, STEERING SUPPORT
24	F84074		2	CLAMP SCREW FOOT
25	F353480		2	STUD
26	F474073-1		2	CLAMP SCREW
27	F8538		2	SPRING PIN
28	F9018		1	CAP
29	F85350-1		4	TILT STOP PIVOT
30	F85541-1		1	TILT LOCK
31	F85606		1	KINGPIN CAP
32	F213274		3	GREASE FITTING
33	F1696		4	HEX BOLT, 5/16 - 18 X 1 3/4
34	F438169		2	BEARING
35	FA85019		1	KINGPIN W/PLUG
36	F1669		1	LOCK NUT
37	F369349		1	REVERSE LOCK
38	F85300		1	REVERSE LOCK SPRING
39	F369510		1	LINK
40	F1744		1	SPRING PIN
41	F177350		1	REVERSE LOCK PIN
42	FA438113		1	STERN BRACKET LOCK BAR W/HANDLE
43	F286461		1	SPRING LOCK BAR HANDLE

CONTINUED ON NEXT PAGE ➡

# MOTOR LEG

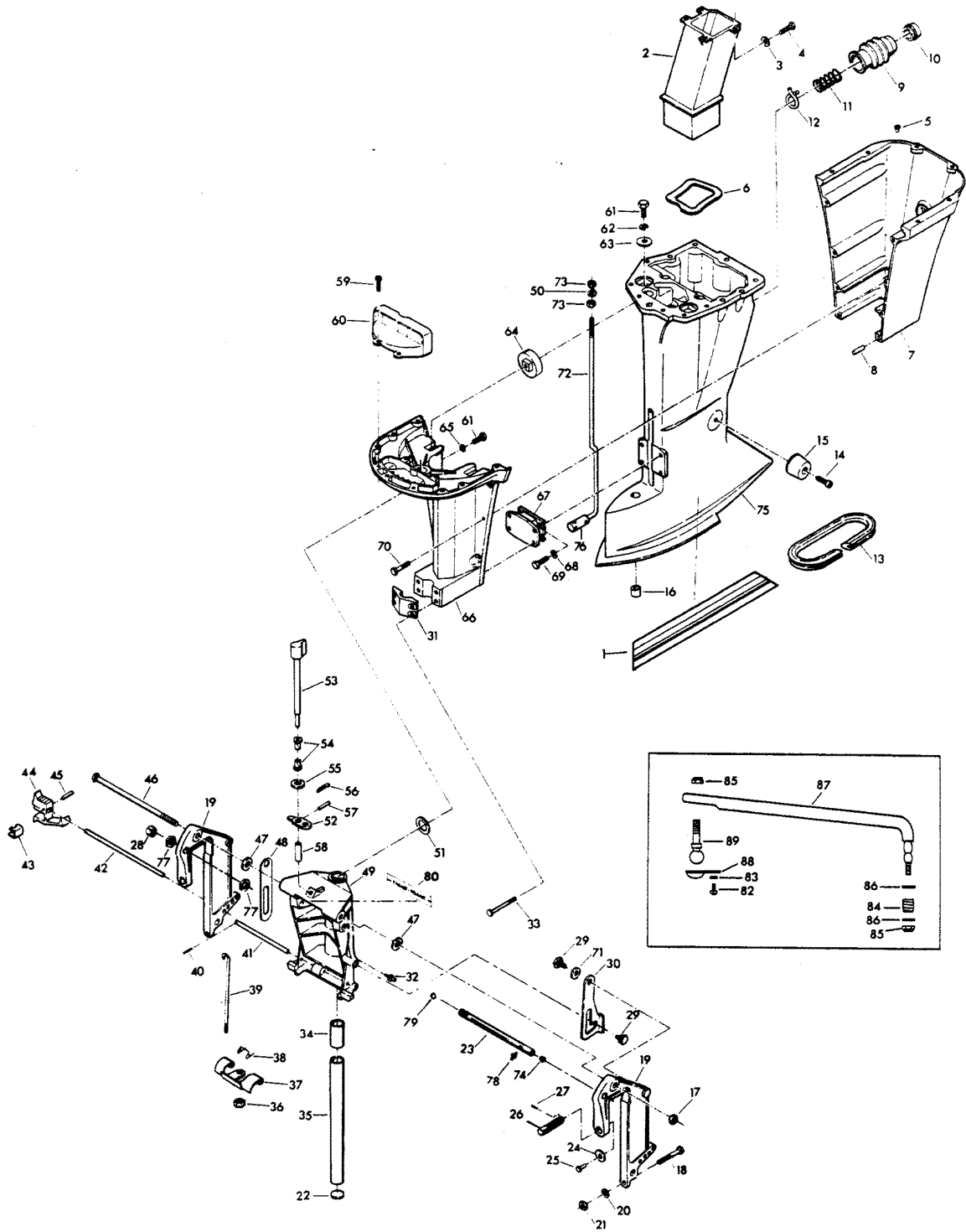


# MOTOR LEG

REF. NO.	PART NO.	SYM.	QTY.	DESCRIPTION
44	F433114		1	HANDLE, LOCK BAR
45	F1744		1	SPRING PIN
46	F85037-1		1	STERN BRACKET PIVOT BOLT
47	F84286-1		4	FRICITION WASHER
48	F85426		1	TILT STOP
49	817783A5		1	SWIVEL BRACKET W/BEARING AND GREASE FITTING
50	F1987		1	PLAIN WASHER
51	F84011		1	WASHER
52	F369364		1	REVERSE LOCK ARM
53	F369827		1	HANDLE AND SHAFT
54	F197813		2	BEARING
55	F8094		1	PLAIN WASHER
56	F1014		1	COTTER PIN
57	F1836		1	SPRING PIN
58	F483884		1	BEARING
59	F1912		4	HEX HD SCREW, 10 - 24 X 1/2
60	F85779-1		1	BAFFLE, AIR INTAKE
61	F1871		4	HEX HD SCREW, 3/8 - 16 X 3/4
62	F2014		2	PLAIN WASHER
63	FA85355-1		2	WASHER SHOCK MOUNT, UPPER
64	F85965		2	SHOCK MOUNT, UPPER
65	F1703		2	SPRING LOCKWASHER
66	A3		1	LEG COVER, FRONT <b>WILLUS. 70</b>
67	F438346		1	SHOCK MOUNT, LOWER
68	F8096		4	SPRING LOCKWASHER
69	F1822		4	HEX BOLT, 5/16 - 18 X 7/8
70	F2030		6	HEX HD SCREW, 1/4 - 20 X 1 1/4
71	F1666		2	BOWED SPRING WASHER
72	F85615		1	GEAR SHIFT ROD, UPPER
73	F2108		2	LOCK NUT, 5/16 - 18
74	F9052		1	PLUG
75	F523133-2		1	MOTOR LEG
76	F85704		1	COUPLER, GEARSHIFT ROD, UPPER
77	F523280		2	NUT, STEERING SUPPORT TUBE
78	F523274		1	GREASE FITTING
79	F316599		1	SEAL, STEERING SUPPORT TUBE
80	F474390-1		1	DECAL, REVERSE LOCK
-	<b>37-819450</b>		<b>1</b>	<b>DECAL, REVERSE LOCK - CANADA</b>
-	<b>A480392</b>		<b>1</b>	<b>DECAL, LEG - PORT W/LITERATURE</b>
-	<b>A480391</b>		<b>1</b>	<b>DECAL, LEG - STARBOARD W/LITERATURE</b>
82	F1280		1	PAN HD SCREW
83	F8080		1	HELICAL SPRING WASHER
84	F523300-1		1	SPRING STEERING LINK

CONTINUED ON NEXT PAGE ➡

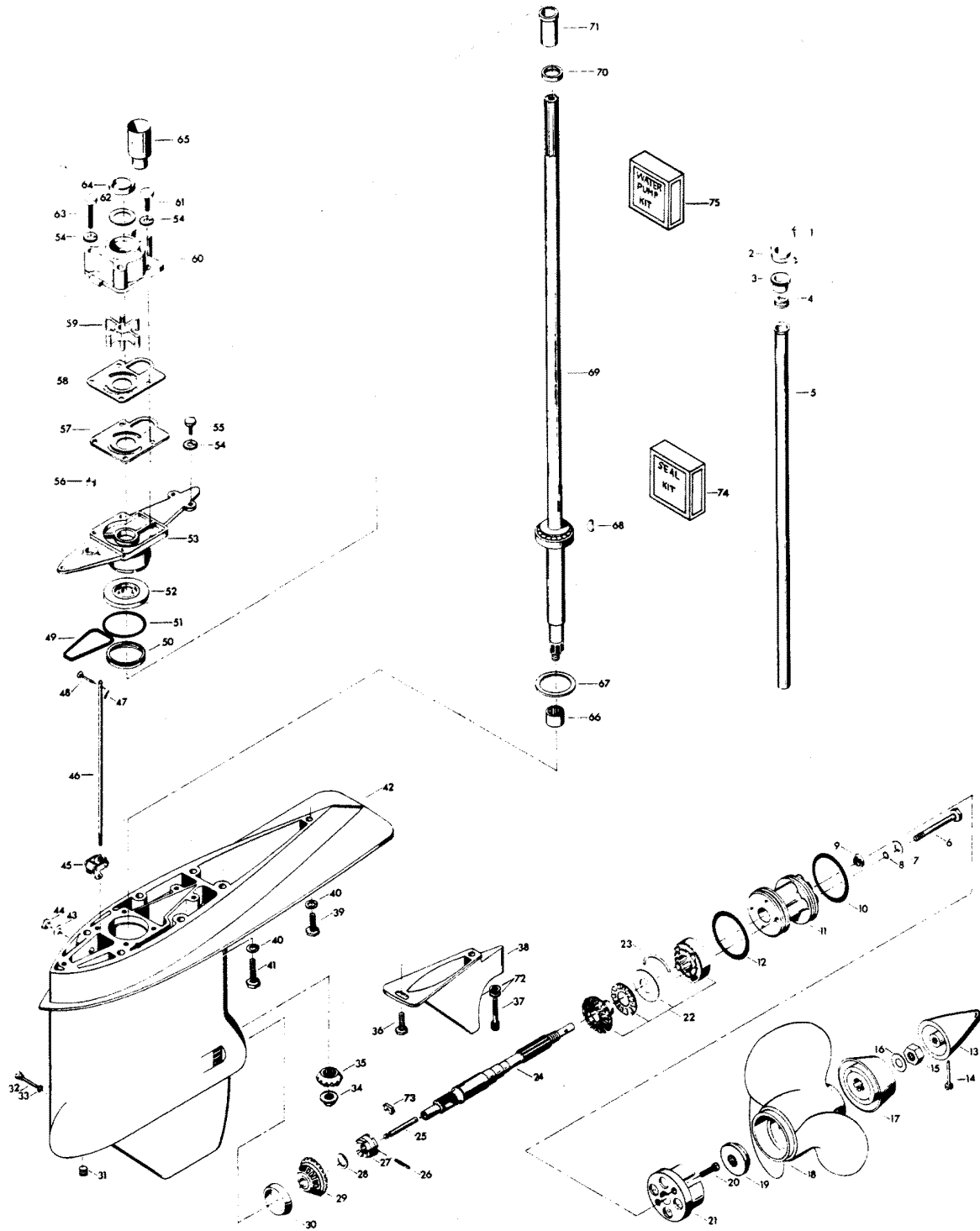
# MOTOR LEG



# MOTOR LEG

REF. NO.	PART NO.	SYM.	QTY.	DESCRIPTION
85	F2093		2	STOP NUT, 3/8 - 24
86	F8038		2	PLAIN WASHER
87	F523881-1		1	STEERING LINK
88	F523930		1	RETAINER
89	F523273		1	STEERING BALL STUD

# GEAR HOUSING

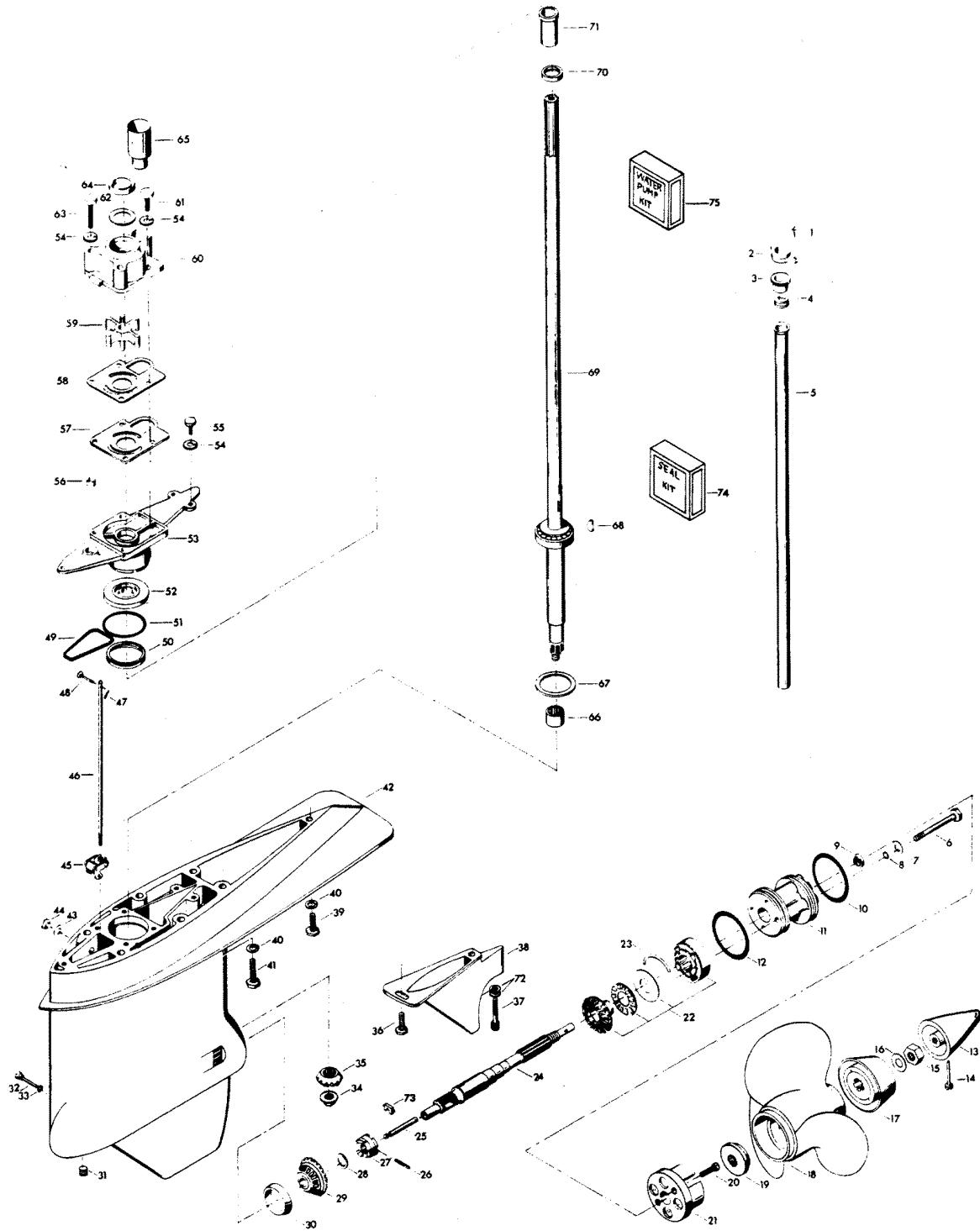


# GEAR HOUSING

REF. NO.	PART NO.	SYM.	QTY.	DESCRIPTION
1	F1705		2	HEX CAP SCREW, 1/4 - 20 X 3/4
2	F85117		1	BRACKET, WATER LINE
3	F84342		1	SEAL, INLET WATER LINE UPPER
4	F523899		1	GROMMET, WATER LINE
5	F523244		1	INLET WATER LINE
6	F1885		4	HEX CAP SCREW, 5/16 - 18 X 4 1/4
7	F1907		4	PLAIN WASHER
8	F50342-1		4	SEAL, BEARING CAGE BOLTS
9	F506118		1	SEAL, PROPELLER SHAFT
10	F24278		1	SEAL, "O" RING PROPELLER SHAFT SPOOL
11	F2A523239		1	SPOOL, PROPELLER SHAFT BEARING W/SEALS
12	F84304		1	SEAL, PROPELLER SHAFT BEARING SPOOL
13	F523094-2		1	PROPELLER NUT
14	F498891		1	PIN, PROPELLER NUT RETAINING
15	F1788		1	STOP NUT
16	F1866		1	PLAIN WASHER
17	F532299		1	WASHER, PROPELLER SPLINE
18	FP524		1	PROPELLER (ACCESSORY ITEM)
19	F523099-1		1	SPACER, PROPELLER
20	F1577		2	FILL HD SCREW, 1/4 - 20 X 3/4
21	FA523485		1	ANTI-CORROSION ANODE <b>W/LITERATURE</b>
22	F2A498662		1	BEVEL GEAR, REAR W/BEARING CAGE, SPACER AND BEARING
23	F523411		2	RETAINING RING
24	FA523098		1	PROPELLER SHAFT
25	F84871-1		1	PIN, GEAR SHIFT
26	F1713		1	SPRING PIN
27	F84521-1		1	CLUTCH
28	F1936		A/R	SPACER, BEVEL GEAR FRONT .059
-	<b>F1937</b>		<b>A/R</b>	<b>SPACER, BEVEL GEAR FRONT .062</b>
-	<b>F1938</b>		<b>A/R</b>	<b>SPACER, BEVEL GEAR FRONT .065</b>
-	<b>F1939</b>		<b>A/R</b>	<b>SPACER, BEVEL GEAR FRONT .068</b>
-	<b>F1940</b>		<b>A/R</b>	<b>SPACER, BEVEL GEAR FRONT .071</b>
-	<b>F1941</b>		<b>A/R</b>	<b>SPACER, BEVEL GEAR FRONT .074</b>
-	<b>F1942</b>		<b>A/R</b>	<b>SPACER, BEVEL GEAR FRONT .077</b>
-	<b>F2113</b>		<b>A/R</b>	<b>SPACER, BEVEL GEAR FRONT .080</b>
-	<b>F2114</b>		<b>A/R</b>	<b>SPACER, BEVEL GEAR FRONT .083</b>
-	<b>F2115</b>		<b>A/R</b>	<b>SPACER, BEVEL GEAR FRONT .086</b>
-	<b>F2116</b>		<b>A/R</b>	<b>SPACER, BEVEL GEAR FRONT .089</b>
-	<b>F2121</b>		<b>A/R</b>	<b>SPACER, BEVEL GEAR FRONT .057</b>
-	<b>F2122</b>		<b>A/R</b>	<b>SPACER, BEVEL GEAR FRONT .054</b>
29	F2A498023		1	BEVEL GEAR FRONT W/BEARING
30	F523813		1	BEARING CUP

CONTINUED ON NEXT PAGE ➡

# GEAR HOUSING



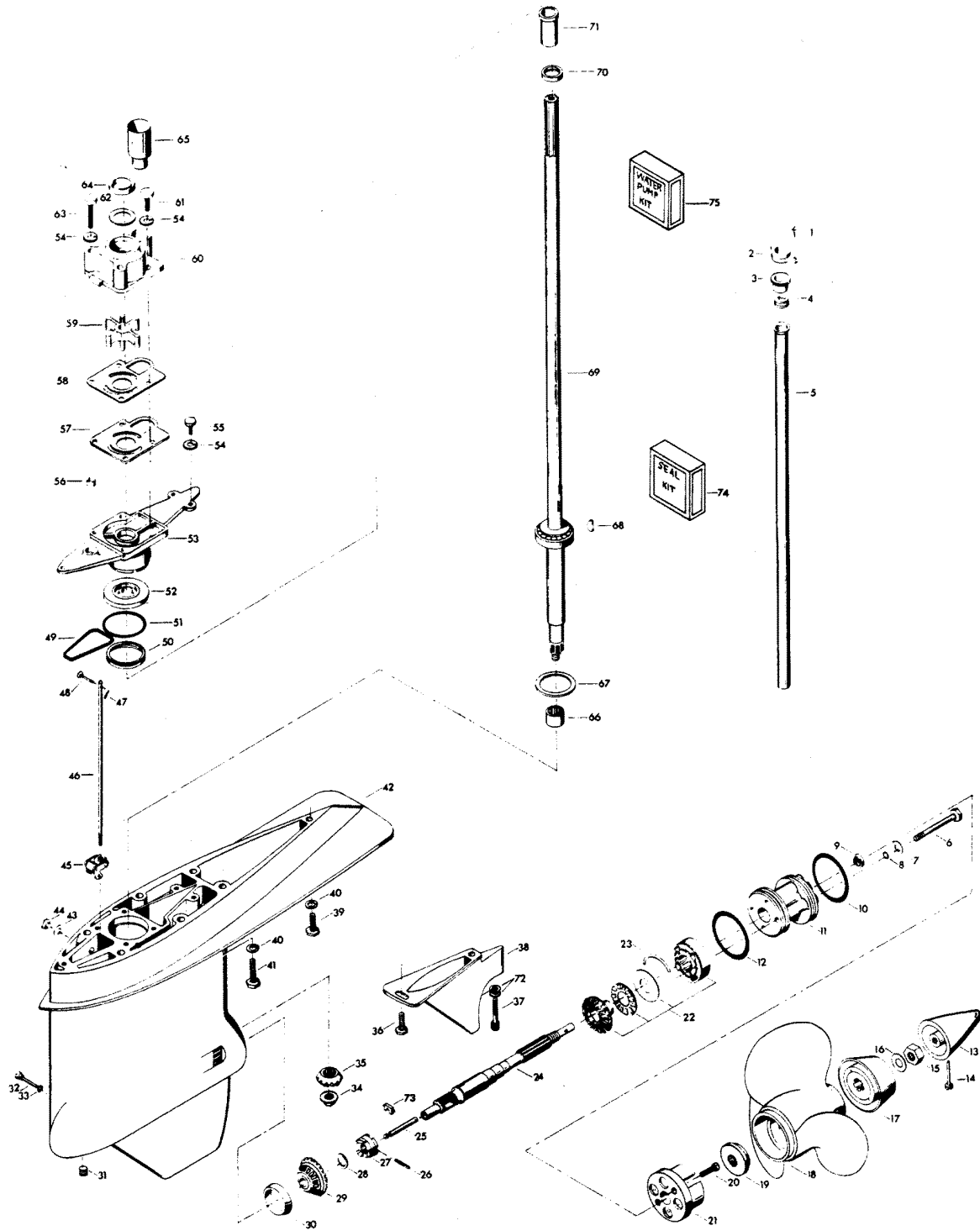


# GEAR HOUSING

REF. NO.	PART NO.	SYM.	QTY.	DESCRIPTION
31	F19109		1	PLUG, GEAR HOUSING
32	F498891		1	PIN, GEAR SHIFT ARM
33	F498618		1	SEAL
34	F523188		1	NUT, BEVEL PINION RETAINING
35	FA498266		1	BEVEL PINION GEAR W/CRUSH RING AND SHIMS
36	F438930		1	RETAINER, SNOOT
37	F1994		1	HEX SOCKET HD CAP SCREW, 5/16 - 18 X 1
38	F523116		1	EXHAUST SNOOT
39	F1858		1	HEX CAP SCREW, 5/16 - 18 X 1
40	F8096		7	SPRING LOCKWASHER
41	F1491		6	HEX CAP SCREW, 5/16 - 18 X 3 1/4
42	FA523054		1	GEAR HOUSING W/BEARING CUP DRIVESHAFT BEARING LOWER, PLUGS AND WASHERS
-	<b>FC550054</b>		<b>1</b>	<b>GEAR HOUSING COMPLETE INCLUDES ALL ITEMS MARKED WITH AN ASTERISK (*).</b>
43	F8077		2	WASHER, GEAR HOUSING PLUG
44	F50109		2	PLUG, GEAR HOUSING
45	FA84621-1		1	COUPLING, GEAR SHIFT ARM W/BUSHING
46	F523705		1	GEAR SHIFT ROD LOWER
47	F1015		1	COTTER PIN
48	F85372		1	PIN, GEAR SHIFT ROD LOWER
49	F523555		1	SEAL, "O" RING - GEAR HOUSING COVER
50	F523961		1	CRUSH RING
51	F74305		1	SEAL, DRIVESHAFT BEARING CAGE
52	F506118		1	SEAL, DRIVESHAFT
53	F2A550706		1	GEAR HOUSING COVER W/SEAL
54	F8083		7	SPRING LOCKWASHER
55	F1534		3	HEX CAP SCREW, 1/4 - 20 X 7/8
56	F338618-1		1	SEAL, GEAR SHIFT ROD
57	F523031		1	GASKET, WATER PUMP
58	F523562		1	WATER PUMP BACK PLATE
59	F523065		1	WATER PUMP IMPELLER
60	46-817853A1		1	WATER PUMP BODY W/DRIVESHAFT SEAL, DISC AND WATER LINE SEAL
61	F1990		2	HEX CAP SCREW, 1/4 - 20 X 1 5/8
62	F480388		1	DISC, WATER PUMP LOCATING
63	F1425		2	HEX CAP SCREW, 1/4 - 20 X 2 5/8
64	F351307		1	SEAL, WATER PUMP
65	FA523735		1	SEAL, INLET WATER LINE LOWER <b>W/LITERATURE</b>
66	F523057		1	BEARING, DRIVESHAFT LOWER
67	F9106		A/R	SHIM, DRIVESHAFT BEARING UPPER .003 - BRASS
-	<b>F9095</b>		<b>A/R</b>	<b>SHIM, DRIVESHAFT BEARING UPPER .005 - SILVER</b>
-	<b>F9097</b>		<b>A/R</b>	<b>SHIM, DRIVESHAFT BEARING UPPER .010 - BLACK</b>
68	F523498		1	DRIVE KEY, WATER PUMP

CONTINUED ON NEXT PAGE ➡

# GEAR HOUSING

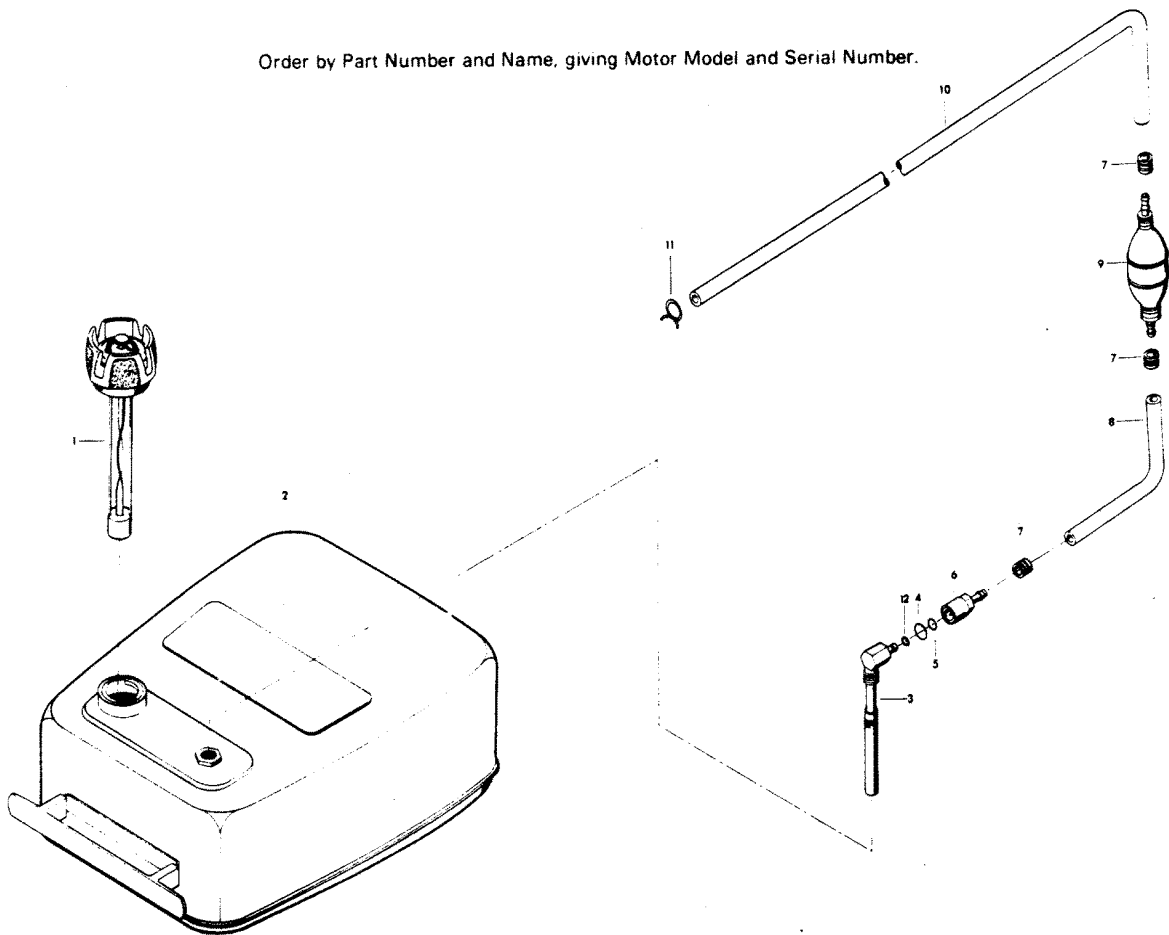


# GEAR HOUSING

REF. NO.	PART NO.	SYM.	QTY.	DESCRIPTION
69	FK550128		1	DRIVESHAFT W/BEARING, SHIMS AND CRUSH RING
70	F438271		1	RETAINER, CRANKSHAFT SPLINE SEAL
71	F438129		1	SEAL, DRIVESHAFT SPLINE
72	F1836		2	PLAIN WASHER
73	F90619-1		1	YOKE
74	FK1063-1		1	SEAL KIT
-	<b>F50342-1</b>		<b>4</b>	<b>BEARING CAGE BOLT SEAL</b>
-	<b>F506118</b>		<b>2</b>	<b>PROPELLER SHAFT SEAL</b>
-	<b>F24278</b>		<b>1</b>	<b>PROPELLER SHAFT SPOOL SEAL</b>
-	<b>F84305</b>		<b>1</b>	<b>PROPELLER SHAFT SPOOL SEAL</b>
-	<b>F498618</b>		<b>1</b>	<b>GEAR SHIFT ARM PIN SEAL</b>
-	<b>F8077</b>		<b>2</b>	<b>WASHER</b>
-	<b>F523555</b>		<b>1</b>	<b>GEAR HOUSING COVER SEAL</b>
-	<b>F74305</b>		<b>1</b>	<b>GEAR HOUSING COVER SEAL</b>
-	<b>F84307-1</b>		<b>1</b>	<b>DRIVESHAFT SEAL</b>
-	<b>F338618-1</b>		<b>1</b>	<b>GEAR SHIFT ROD SEAL</b>
75	FK1069		1	WATER PUMP KIT
-	<b>F1425</b>		<b>2</b>	<b>HEX CAP SCREW, 1/4 - 20 X 5/8</b>
-	<b>F1990</b>		<b>2</b>	<b>HEX CAP SCREW</b>
-	<b>F8083</b>		<b>4</b>	<b>SPRING LOCKWASHER</b>
-	<b>F523031</b>		<b>1</b>	<b>GASKET, WATER PUMP</b>
-	<b>F523065</b>		<b>1</b>	<b>IMPELLER</b>
-	<b>F523498</b>		<b>1</b>	<b>KEY</b>
-	<b>F523562</b>		<b>1</b>	<b>PLATE, WATER PUMP</b>
-	<b>46-817853A1</b>		<b>1</b>	<b>WATER PUMP</b>

# FUEL TANK AND LINE

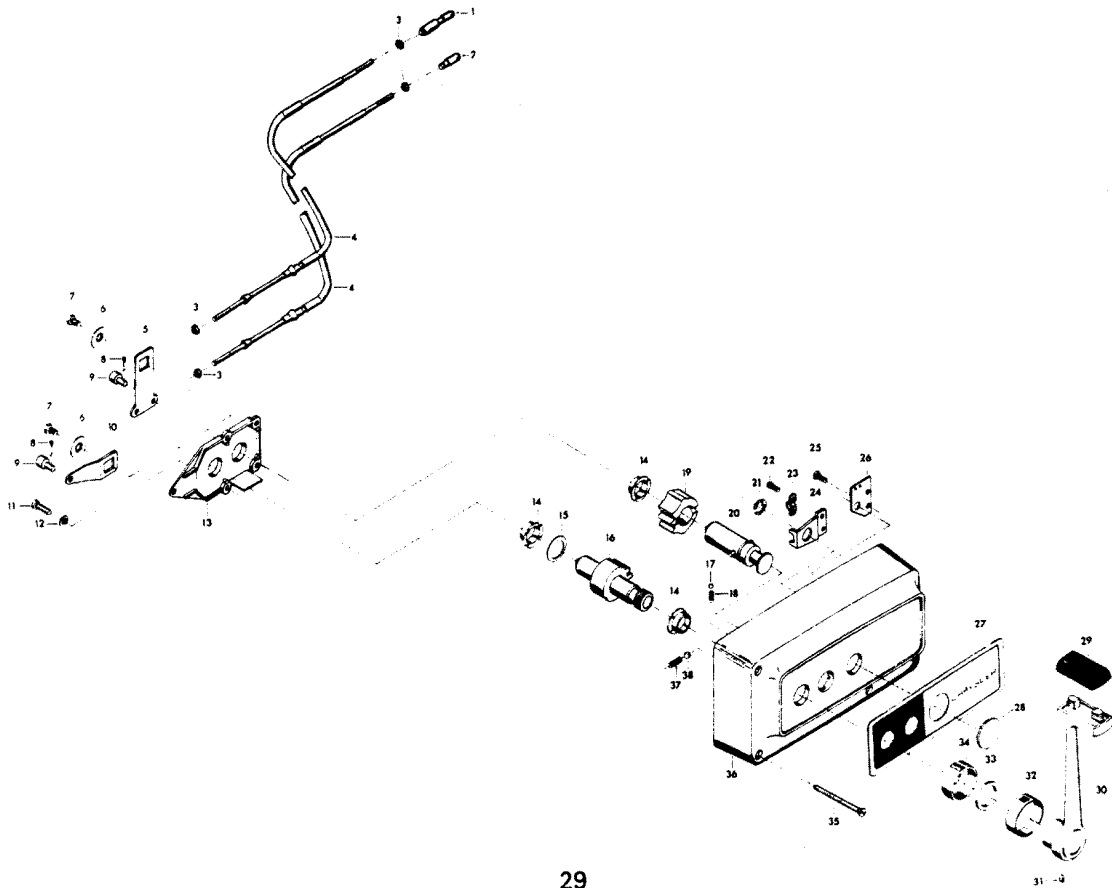
Order by Part Number and Name, giving Motor Model and Serial Number.



## FUEL TANK AND LINE

REF. NO.	PART NO.	SYM.	QTY.	DESCRIPTION
1	F409251-1		1	GAUGE CAP
2	F5H026		1	FUEL TANK (ACCESSORY ITEM)
3	F485755-1		1	FUEL TANK ADAPTER
4	F213342		1	SEAL, FUEL LINE COUPLER (LARGE)
5	F213735		1	SEAL, FUEL LINE COUPLER (SMALL)
6	F197787-3		1	FUEL LINE COUPLER
7	F298788		3	FERRULE
8	FA84754-1		1	FUEL LINE SHORT W/FERRULES
9	89396A38		1	PRIME BULB W/LITERATURE ORIGINAL FORCE P/N S <b>387766-1</b>
10	32-817738A1		1	FUEL LINE LONG W/CLAMP AND FERRULE
11	F97772		1	FUEL LINE CLAMP
12	F17932		1	SEAL, FUEL TANK ADAPTER
-	<b>FS409752</b>		1	<b>FUEL LINE COMPLETE. INCLUDES ALL ITEMS MARKED WITH AN ASTERISK (*)</b>
-	<b>FC409398</b>		1	<b>DECAL, TOTE TANK - CANADA (NOT SHOWN)</b>

# REMOTE CONTROL



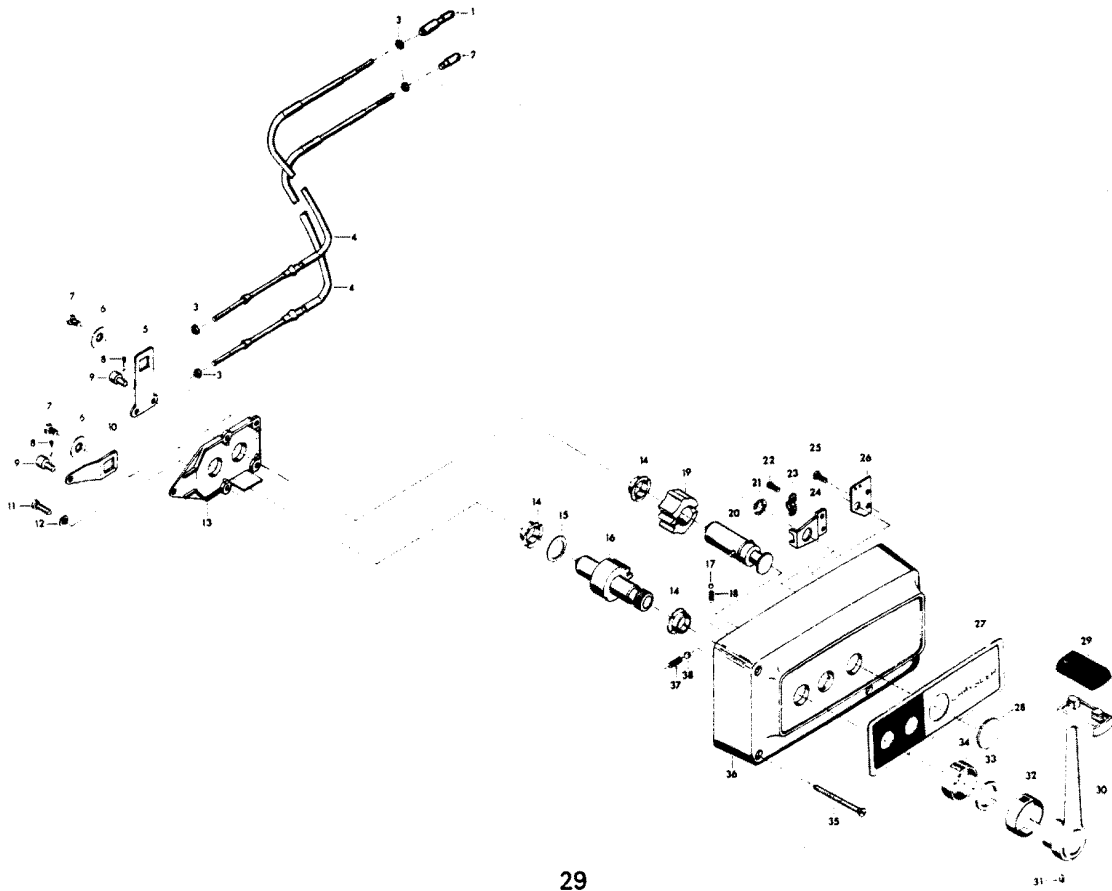
29

# REMOTE CONTROL

REF. NO.	PART NO.	SYM.	QTY.	DESCRIPTION
1	FA58976-1		1	CONNECTOR, THROTTLE CABLE
2	F58685-2		1	CONNECTOR, SHIFT CABLE
3	F1513		4	HEX NUT
4	ÄF58356//		2	REMOTE CONTROL CABLE (SPECIFY LENGTH)
5	F17019		1	CLUTCH ARM
6	F17036		2	INTERNAL TOOTH LOCKWASHER
7	F1715		2	HEX BOLT, 1/4 - 28 X 9/16
8	F17149		2	COTTER PIN
9	F17016		2	CABLE TERMINAL
10	F17014		1	THROTTLE ARM
11	F17013		2	FILL HD SCREW, 1/4 - 20 X 1/2
12	F17147		2	INTERNAL TOOTH LOCKWASHER
13	F17012		1	RETAINING PLATE
14	F17009		3	BEARING
15	F17011		1	BOWED WASHER
16	F17010-1		1	THROTTLE GEAR
17	F17111		1	DETENT BALL
18	F17006		1	DETENT SPRING
19	F17021		1	CLUTCH GEAR
20	F17100		1	CLUTCH SHAFT
21	F17092		1	SNAP RING
22	F17071		2	FILL HD SCREW, 10 - 24 X 5/16
23	F154317		1	CABLE CLAMP
24	F17026		1	SWIVEL
25	F1557		2	FLAT HD SCREW, 10 - 24 X 3/8
26	F17112		1	JUNCTION BOARD, STARBOARD
-	<b>F17113</b>		<b>1</b>	<b>JUNCTION BOARD, PORT</b>
27	F17148		1	DECAL, STARBOARD
-	<b>F531892</b>		<b>1</b>	<b>DECAL, PORT</b>
28	F17031-1		1	SNAP CAP
29	F448543		1	KNOB
30	F448611		1	HANDLE
31	F455690		1	SET SCREW
32	F449894		1	INDICATOR
33	F17105		1	FELT WASHER
34	F17106		1	COLLAR
35	F17146		3	WOOD SCREW
36	F17099-1		1	HOUSING

CONTINUED ON NEXT PAGE ➡

# REMOTE CONTROL



29



# REMOTE CONTROL

REF. NO.	PART NO.	SYM.	QTY.	DESCRIPTION
37	F17068		1	DETENT SPRING
38	F17082-1		1	DETENT BALL
-	F1280		2	PAN HD SCREW, 8 - 32 X 1/4 (TERMINAL BOARD) (NOT SHOWN)
-	OB3061		1	LITERATURE INSTALLATION INSTRUCTIONS FOR REMOTE CONTROL (NOT SHOWN)
-	F17103-1		1	BAG ASSEMBLY (NOT SHOWN). INCLUDES ITEMS MARKED WITH AN ASTERISK (*)

## SPECIAL TOOLS - TUNE-UP

REF. NO.	PART NO.	SYM.	QTY.	DESCRIPTION
-	FT8948-1		0	PULLER TO REMOVE FLYWHEEL.
-	FTA2937-1		0	TIMING TOOL TO ADJUST TIMING POINTER.
-	FT2951		0	CIRCUIT TRACER TO TROUBLESHOOT ELECTRICAL SYSTEM
-	FT8978		0	TIMING LIGHT FOR ADJUSTING IGNITION TIMING.

## SPECIAL TOOLS - POWER HEAD

REF. NO.	PART NO.	SYM.	QTY.	DESCRIPTION
-	FT8914		0	SEAL REMOVER TO REMOVE UPPER CRANKSHAFT BEARING CAGE SEAL.
-	FT8903		0	SEAL INSTALLER TO INSTALL UPPER CRANKSHAFT BEARING CAGE SEAL.
-	FT8927		0	SEAL PROTECTOR TO INSTALL UPPER CRANKSHAFT BEARING CAGE.
-	FT8907		0	DRIVE HANDLE USED WITH T 8903.
-	FT8925		0	SEAL INSTALLER TO INSTALL LOWER CRANKSHAFT SEAL.
-	FT2953		0	SOCKET TO TORQUE CONNECTING ROD SCREWS.
-	FT2990		0	PISTON PIN TOOL TO REMOVE AND INSTALL PISTON PINS.
-	FT2996		0	RING COMPRESSOR TO INSTALL PISTONS IN CYLINDER.
-	FT8926		0	RING EXPANDER TO INSTALL PISTON RINGS.
-	FT1082		0	SNAP RING PLIER TO REMOVE AND INSTALL DISTRIBUTOR RETAINING RING.
-	FTA8981		0	SPACER KIT TO SHIM LOWER UNIT - USE WITH T 8924-1.

# SPECIAL TOOLS - GEAR HOUSING

REF. NO.	PART NO.	SYM.	QTY.	DESCRIPTION
-	FT8948-1		0	PULLER TO REMOVE PROPELLER SHAFT BEARING CAGE FROM GEAR HOUSING.
-	FT8918		0	BEARING GUIDE SET TO REMOVE AND INSTALL BEARING CUP IN LOWER GEAR HOUSING.
-	FT2995		0	BEARING CUP INSTALLER TO INSTALL FORWARD BEARING CUP IN LOWER GEAR HOUSING.
-	FT8917		0	BEARING CUP REMOVER TO REMOVE REAR BEARING CUP FROM PROPELLER SHAFT BEARING CAGE.
-	FT8909		0	BEARING CUP INSTALLER TO INSTALL FORWARD BEARING CUP IN LOWER GEAR HOUSING.
-	FT8922		0	SLIDE HAMMER USED WITH T 8917
-	FT8910		0	BEARING CUP INSTALLER TO INSTALL REAR BEARING CUP IN PROPELLER SHAFT BEARING CAGE.
-	FT8957		0	SEAL INSTALLER TO INSTALL SHIFT ROD SEAL.
-	FT8908		0	SEAL INSTALLER TO INSTALL PROPELLER SHAFT SEAL IN PROPELLER SHAFT BEARING CAGE.
-	FT8915		0	SEAL PROTECTOR TO INSTALL BEARING CAGE ON PROPELLER SHAFT.
-	FT8916		0	BEARING INSTALLER TO INSTALL REVERSE GEAR AND BEARING ON PROPELLER SHAFT.
-	FT8906		0	BEARING SUPPORT TO INSTALL REVERSE GEAR AND BEARING ON PROPELLER SHAFT.
-	FT8911		0	DRIVESHAFT KNOCK-OFF NUT TO REMOVE DRIVESHAFT FROM UPPER GEAR HOUSING.
-	FT8905		0	BEARING REMOVER TO REMOVE BEARING FROM DRIVESHAFT.
-	FT8920		0	BEARING INSTALLER TO INSTALL BEARING ON DRIVESHAFT.
-	FT8925		0	SEAL INSTALLER TO INSTALL DRIVESHAFT SEAL IN UPPER HOUSING.
-	FT3012		0	SEAL INSTALLER TO INSTALL DRIVESHAFT SEAL IN WATER PUMP.
-	FT8924-1		0	CHECKING GAUGE TO MEASURE PROPELLER SHAFT END PLAY AND END FLOAT.
-	FT8901		0	INDICATOR HOLDER USED IN CONJUNCTION WITH T 8924-1.
-	FT8902		0	DIAL INDICATOR USED IN CONJUNCTION WITH T 8924-1.
-	FT8907		0	DRIVER HANDLE USED WITH T 8910, T 8909, T 8908.
-	FT8919		0	SPRING PIN PUNCH TO REMOVE CLUTCH SPRING PIN.
-	FT1081		0	SNAP RING PLIER TO REMOVE AND INSTALL DRIVESHAFT BEARING RETAINING RING.

## SPECIAL TOOLS - TEST EQUIPMENT

REF. NO.	PART NO.	SYM.	QTY.	DESCRIPTION
-	FTA8991		0	TEST WHEEL TO TEST MOTOR IN TEST TANK.
-	FT8933		0	LIFTING HOOK TO LIFT ENGINE.
-	FT8950		0	LEAKAGE TESTER TO TEST LOWER UNIT SEALS FOR LEAKAGE.
-	FT8953		0	IGNITION TESTER TO TEST OUTPUT OF C-D UNIT.

# SPECIAL TOOLS - LUBRICANTS AND SEALANTS

REF. NO.	PART NO.	SYM.	QTY.	DESCRIPTION
-	FT2961		0	LUBRICANT - RYKON #2EP
-	FT2987-1		0	LUBRICANT - ANTI-SEIZE
-	FT8969		0	LUBRICANT - 7 OZ. 2 PSI LUBRICANT
-	FT8955		0	SEALANT - 5 OZ. EC-750 INDUSTRIAL SEALANT
-	FT8993		0	SEALANT - 3 OZ. RTV SEALANT FROM IN PLACE GASKETS
-	FT8936		0	SEALANT - 2 CC LOCTITE RETAINING COMPOUND #75
-	FT2962-1		0	SEALANT - 50 CC LOCTITE H, NON-HARDENING GRADE
-	FT2963-1		0	SEALANT - 2 OZ. LOCTITE D, HARDENING GRADE
-	FT8935		0	SEALANT PRIMER - 6 OZ.

# SPECIAL TOOLS - REPAIR DECALS - ENGINE COVERS

REF. NO.	PART NO.	SYM.	QTY.	DESCRIPTION
-	T11236		0	METALLIC SILVER
-	T11233		0	MEDIUM METALLIC SILVER
-	T11212		0	BOAT BLACK
-	T11211		0	BOAT WHITE
-	T11230		0	ORANGE

# ACCESSORIES

REF. NO.	PART NO.	SYM.	QTY.	DESCRIPTION
-	F861		0	FLUSHING ADAPTER PERMITS FRESH WATER FLUSHING OF WATER PASSAGES WITH STANDARD GARDEN HOSE.
-	F5H130		0	REMOTE CONTROL - SURFACE MOUNT PERMITS REMOTE CONTROL OF THROTTLE AND GEAR SHIFT FROM STARBOARD SIDE OF BOAT.
-	F5H120		0	REMOTE CONTROL BACK PLATE TO PREVENT INTERFERENCE WITH PADDED SIDE OF BOAT.
-	F5H131		0	PORT SIDE DECAL KIT CONVERTS 5H130 CONTROL BOX TO PORT SIDE MOUNTING.
-	F590		0	REMOTE CONTROL - FLUSH MOUNT FLUSH MOUNT CONTROL UNIT PERMITS REMOTE CONTROL OF THROTTLE AND GEAR SHIFT. MAY BE MOUNTED ON PORT OR STARBOARD SIDE OF BOAT.
-	865		0	REMOTE CONTROL - SURFACE MOUNT PERMITS REMOTE CONTROL OF THROTTLE AND GEAR SHIFT ON TWIN ENGINE INSTALLATIONS. MAY BE MOUNTED ON PORT OR STARBOARD SIDE OF BOAT.
-	F5H079		0	SINGLE REMOTE CONTROL BOX PERMITS REMOTE CONTROL OF THROTTLE AND GEAR SHIFT. CONSOLE MOUNTED.
-	F5H080		0	TWIN REMOTE CONTROL BOX PERMITS REMOTE CONTROL OF THROTTLE AND GEAR SHIFT - TWO ENGINES. CONSOLE MOUNTED.
-	F195/___		0	REMOTE CONTROL CABLES CONNECTS REMOTE CONTROL BOX TO THROTTLE AND GEAR SHIFT ON ENGINE. AVAILABLE IN 6 THROUGH 40 FOOT LENGTHS.
-	F5H132		0	REMOTE CONTROL HANDLE TRIM SWITCH HAS POWER TRIM CONTROL SWITCH IN HANDLE. REPLACES STANDARD CONTROL LEVER ON 5H130 CONTROL BOX.
-	F5H108		0	STEERING CONNECTOR CLEVIS TYPE FOR BOAT MOUNTED STEERING AND NONTHREADED CABLE END.
-	F5H094		0	STEERING LINK KIT CONNECTS STEERING CABLE TO ENGINE WHEN USING ENGINE MOUNTED STEERING SYSTEM.
-	5H139		0	SWITCH KIT - LIVWELL FOR OPERATING PUMP IN BASS BOATS.
-	F5H018		0	DUAL STEERING CONNECTOR PERMITS DUAL ENGINE INSTALLATIONS.
-	F5H026		0	STEEL, 6 GALLON FUEL TANK (LOW PROFILE) AUXILIARY TANK.
-	F5H029		0	TANK ANCHOR SECURES 5H026 TO BOAT.
-	F5H040		0	STEEL, 12 GALLON FUEL TANK AUXILIARY TANK.
-	5H111		0	INSTRUMENT ADAPTER - 2" PROVIDES SURFACE MOUNTING OF INSTRUMENTS.
-	F5H112		0	INSTRUMENT ADAPTER - 3 1/2" PROVIDES SURFACE MOUNTING OF INSTRUMENTS.
-	71H06		0	AMMETER FLUSH MOUNT MONITORS OUTPUT OF ALTERNATOR.
-	F5H019		0	ANTI-CORROSION KIT ELECTRICAL KIT FOR MOUNTING ON BOAT (12V) TO REDUCE CORROSION.

CONTINUED ON NEXT PAGE ➡



# ACCESSORIES

REF. NO.	PART NO.	SYM.	QTY.	DESCRIPTION
-	F5H025		0	ANTI-CORROSION SACRIFICIAL ANODE KIT USED TO REDUCE CORROSION.
-	F5H043		0	OVERHEAT BUZZER SOUNDS WARNING BUZZER IF ENGINE OVERHEATS.
-	F5H010		0	POWER TRIM INDICATOR INDICATES ENGINE TRIM ANGLE. (FLUSH MOUNT).
-	F5H134		0	BOAT WHITE LACQUER ENGINE TOUCH-UP PAINT IN 12 3/4 OZ. SPRAY BOMBS (6 CANS PER CASE).
-	F5H044		0	TILT STOP KIT LIMITS TILTING ANGLE.
-	F5H068		0	RFI SUPPRESSION KIT PROVIDES RADIO NOISE SUPPRESSION.
-	F5H129		0	SHOCK ABSORBER KIT
-	F5H064		0	EXHAUST SNOUT FOR UNUSUAL BOAT COMBINATIONS AND MORE CLEARANCE.
-	F5H081		0	BATTERY CABLE LONGER LENGTH - 15 FEET.
-	F5H006		0	VOLTMETER - FLUSH MOUNT INDICATES BATTERY CONDITION.
-	5H047		0	CANVAS HOOD PROTECTION FOR ENGINE COVER.
-	5H051		0	BATTERY, 74 AMP 12 VOLT HEAVY DUTY BATTERY.
-	F5H021		0	EXTENSION CABLE FOR LENGTHENING BATTERY CABLE 6 1/2 FEET.
-	F5H041		0	BATTERY TERMINAL KIT ADAPTS MODEL 5H051 BATTERY TERMINALS FOR CONNECTIONS TO BATTERY CABLE ON ENGINE.
-	71H25		0	CHARGE INDICATOR LAMP GLOWS GREEN WHEN ALTERNATOR IS RECHARGING BATTERY. DO NOT USE INDICATOR LAMP AND AMMETER IN SAME INSTALLATION.
-	F5H037		0	CIGAR LIGHTER FOR USE AS CONVENIENCE OUTLET.
-	168		0	CONTROL PANEL FOR MOUNTING LAMPS, SWITCHES, ETC.
-	F5H008		0	FUEL GAUGE FLUSH MOUNT MONITORS FUEL SUPPLY.
-	F5H123		0	HYDRAULIC TILT HYDRAULIC UNIT TO RAISE AND LOWER THE LOWER UNIT WHEN BEACHING OR TRAILERING BOAT.
-	479		0	HEAT LAMP KIT GLOWS RED IF ENGINE OVERHEATS. DO NOT USE HEAT LAMP AND TEMPERATURE GAUGE IN SAME INSTALLATION.
-	F5H007		0	HOURMETER RECORDS ENGINE RUNNING TIME.
-	478		0	IGNITION LAMP KIT GLOWS ORANGE WHEN IGNITION SWITCH IS IN "ON" POSITION.
-	F5H077		0	IGNITION KEY SWITCH SHORT BARREL WITH KEYS.
-	F5H078		0	IGNITION KEY SWITCH LONG BARREL WITH KEYS.
-	F762		0	REMOTE ELECTRIC CABLE 25 FOOT CABLE FOR LARGE BOATS.
-	F5H070		0	REMOTE ELECTRIC CABLE 21 FOOT CABLE FOR LARGE BOATS.
-	5H082		0	REMOTE ELECTRIC CABLE 35 FOOT CABLE FOR LARGE BOATS.
-	F5H028		0	SENDING UNIT FOR USE WITH 5H008 FUEL GAUGE.

CONTINUED ON NEXT PAGE ➡

# ACCESSORIES

REF. NO.	PART NO.	SYM.	QTY.	DESCRIPTION
-	F5H005		0	TEMPERATURE GAUGE FLUSH MOUNT MONITORS ENGINE TEMPERATURE. DO NOT USE TEMPERATURE GAUGE AND HEAT LAMP IN SAME INSTALLATION.
-	F5H012		0	TACHOMETER FLUSH MOUNT MONITORS ENGINE R.P.M. TO PROVIDE CHECK OF ENGINE PERFORMANCE.
-	F5H074		0	WATER PUMP KIT HEAVY DUTY WATER PUMP KIT.
-	F5H127		0	POWER TRIM ADJUSTS ENGINE TRIM AND TILTS ENGINE.
-	F5H002		0	SPEEDOMETER FLUSH MOUNT MONITORS BOAT SPEED (0 - 65 M.P.H.).
-	F5H004		0	SPEEDOMETER FLUSH MOUNT MONITORS BOAT SPEED (0 - 65 M.P.H.).
-	F5H115		0	TRAILERING TILT LOCK SECURES ENGINE IN HALF TILT POSITION FOR TRAILERING.
-	F5H076		0	SWITCH EXTENSION CABLE ALLOWS INSTALLATION OF IGNITION SWITCH IN 5H130 CONTROL BOX WITH 563 TERMINAL BLOCK.
-	F5H030		0	SWITCH KIT - RUNNING LIGHTS DASH MOUNTED TOGGLE SWITCH.
-	F5H031		0	SWITCH KIT - SPOT LIGHT DASH MOUNTED TOGGLE SWITCH.
-	F5H032		0	SWITCH KIT - WIPER DASH MOUNTED TOGGLE SWITCH.
-	F5H034		0	SWITCH KIT - BILGE PUMP DASH MOUNTED TOGGLE SWITCH.
-	F5H035		0	SWITCH KIT - HORN DASH MOUNTED TOGGLE SWITCH (MOMENTARY).
-	F5H036		0	SWITCH KIT - TACHOMETER TRANSFER DASH MOUNTED TOGGLE SWITCH FOR ONE TACHOMETER ON DUAL ENGINE INSTALLATION.
-	F5H038		0	SWITCH KIT - IGNITION SWITCH TO MOUNT IGNITION SWITCH ON DASH.
-	F5H039		0	SWITCH KIT - INSTRUMENT LIGHT DASH MOUNTED TOGGLE SWITCH.
-	F563		0	TERMINAL BLOCK KIT DOUBLE ROW 10 SECTION TO SIMPLIFY ACCESSORY INSTALLATION.
-	479		0	UNIMOUNT UNDER DASH MOUNT FOR INDICATORS, LAMPS AND IGNITION SWITCHES.
-	F5H075		0	WIRING HARNESS - IGNITION SWITCH (24") USE WITH 563 TERMINAL BLOCK.
-	F596		0	CHRYSLER OUTBOARD OIL SEE BLOCK COMMENT 1.
-	F597		0	CHRYSLER OUTBOARD GEAR LUBE SEE BLOCK COMMENT 2.
-	72H26		0	CHRYSLER OUTBOARD FUEL AID REMOVES MOISTURE, PREVENTS SLUDGE AND VARNISH AND STABILIZES GAS. AVAILABLE IN 16 OZ. CANS AND 12 CAN CASES.
-	72H27		0	CHRYSLER OUTBOARD STORAGE LUBRICANT WORKS AS A CORROSION INHIBITOR AND PROTECTS INTERNAL ENGINE PARTS DURING STORAGE. AVAILABLE IN 16 OZ. CANS AND 12 CAN CASES.

CONTINUED ON NEXT PAGE ➡

# ACCESSORIES

REF. NO.	PART NO.	SYM.	QTY.	DESCRIPTION
-	72H28		0	CHRYSLER OUTBOARD MULTI-PURPOSE SPRAY LUBE WORKS AS A LUBRICANT, CLEANER, MOISTURE REMOVER AND ELECTRIC INSULATOR. AVAILABLE IN 9 OZ. CANS AND 12 CAN CASES.
-	F72H29		0	CHRYSLER OUTBOARD MULTI-PURPOSE GREASE LUBRICATES BEARINGS AND OTHER MOVING PARTS. AVAILABLE IN 8 OZ. TUBES AND 12 TUBE CASES.
-	F72H30		0	CHRYSLER OUTBOARD GREASE GUN USED WITH CHRYSLER OUTBOARD MULTI-PURPOSE GREASE TUBES FOR PRESSURE FITTINGS.
-	72H34		0	CHRYSLER OUTBOARD MULTI-PURPOSE CLEANER

# PARTS INDEX

Part Number	Description	Pg.	Ref. No.	Part Number	Description	Pg.	Ref. No.
ÄF58356//	REMOTE CONTROL CABLE (SPECIFY LENGTH) . . . . .	45	4	F1009	HEX BOLT, 3/8 - 16 X 2 3/4 .	27	97
15169	FRAME AND FIELD ASSEMBLY . . . . .	15	9	F1014	COTTER PIN . . . . .	21	84
168	CONTROL PANEL . . . . .	55	-	F1014	COTTER PIN . . . . .	33	56
478	IGNITION LAMP KIT . . . . .	55	-	F1015	COTTER PIN . . . . .	39	47
479	HEAT LAMP KIT . . . . .	55	-	F1059	FILL HD SCREW, S.S., 6 - 32 X 1/4 . . . . .	19	80
479	UNIMOUNT . . . . .	56	-	F1064	FILL HD SCREW, S.S., 8 - 32 X 3/8 . . . . .	19	45
480373	DECAL, MAGNAPOWER IGNITION . . . . .	9	55	F1072	FILL HD SCREW, 1/4 - 20 X 1 3/4 . . . . .	19	59
481373-1	DECAL "ELECTRONIC" (NOT SHOWN) . . . . .	11	-	F1087	PLAIN WASHER . . . . .	25	66
5C579944	COVER, ENGINE - COMPLETE . . . . .	3	-	F1099	FILL HD SCREW, 1/4 - 20 X 1 1/4 . . . . .	27	100
5H047	CANVAS HOOD . . . . .	55	-	F1108	FILL HD SCREW W/LOCKWASHER, 1/4 - 20 X 3/4 . . . . .	17	2
5H051	BATTERY, 74 AMP . . . . .	55	-	F1110	FILL HD SCREW, 1/4 - 20 X 5/8 . . . . .	27	98
5H082	REMOTE ELECTRIC CABLE . . . . .	55	-	F1199	HEX CAP SCREW, 1/4 - 20 X 1 . . . . .	23	44
5H111	INSTRUMENT ADAPTER - 2" . . . . .	54	-	F1263	HEX SOCKET HD CAP SCREW, 5/16 - 18 X 9/16 .	31	14
5H139	SWITCH KIT - LIVEWELL . . . . .	54	-	F1280	PAN HD SCREW . . . . .	33	82
71H06	AMMETER FLUSH MOUNT . . . . .	54	-	F1280	PAN HD SCREW, 8 - 32 X 1/4	7	33
71H25	CHARGE INDICATOR LAMP . . . . .	55	-	F1280	PAN HD SCREW, 8 - 32 X 1/4 (TERMINAL BOARD) (NOT SHOWN) . . . . .	47	-
72H26	CHRYSLER OUTBOARD FUEL AID . . . . .	56	-	F1286	PAN HD SCREW, 4 - 40 X 3/16 . . . . .	23	31
72H27	CHRYSLER OUTBOARD STORAGE LUBRICANT . . . . .	56	-	F1341	HEX NUT, 1/4 - 20 . . . . .	23	13
72H28	CHRYSLER OUTBOARD MULTI-PURPOSE SPRAY LUBE . . . . .	57	-	F1346	HEX NUT, 3/8 - 16 . . . . .	31	21
72H34	CHRYSLER OUTBOARD MULTI-PURPOSE CLEANER . . . . .	57	-	F1347	HEX NUT, 3/8 - 16 . . . . .	27	95
817747--1	BALL JOINT W/STUD . . . . .	17	28	F14006-2	CAP BASE . . . . .	11	37
817747--1	BALL JOINT W/STUD . . . . .	23	9	F14007	CAP SCREW . . . . .	11	33
817783A5	SWIVEL BRACKET W/BEARING AND GREASE FITTING . . . . .	33	49	F14011-1	CAP COVER . . . . .	11	34
817786A1	DISTRIBUTOR PULLEY W/STOP NUT & WASHER . . . . .	11	3	F14012-1	BRUSH . . . . .	13	39
817787A1	CYLINDER DRAIN COVER W/PLUG . . . . .	23	33	F14015	CAP CLIP RIVET . . . . .	11	21
817788A3	SPACER PLATE W/PLUGS . . . . .	25	63	F14017	TERMINAL INSULATOR (OUTSIDE) . . . . .	13	46
817822A1	DISTRIBUTOR, COMPLETE. . . . .	11	-	F14020-1	CAP SEAL . . . . .	11	36
817892--1	IGNITION SWITCH PLATE - CANADA (NOT SHOWN) . . . . .	9	-	F14024	SPACER . . . . .	13	42
817931A7	MOTOR LEG COVER, REAR . . . . .	31	7	F14025	SPACER . . . . .	11	4
817959A3	INTAKE MANIFOLD W/PLUG . . . . .	17	23	F14028	THRUST WASHER . . . . .	11	5
85872-1	BRACKET . . . . .	25	49	F14029	THRUST WASHER . . . . .	11	7
865	REMOTE CONTROL - SURFACE MOUNT . . . . .	54	-	F14030	CAP GASKET . . . . .	11	38
89396A38	PRIME BULB . . . . .	43	9	F14036	SWIVEL . . . . .	11	13
A3	LEG COVER, FRONT . . . . .	33	66	F14037	CAP CLIPS . . . . .	11	14
A480391	DECAL, LEG - STARBOARD . . . . .	33	-	F14038	CAP CLIP SCREWS . . . . .	11	15
A480392	DECAL, LEG - PORT . . . . .	33	-	F14040	VENT . . . . .	11	35
A480396	DECAL, ENGINE COVER - STARBOARD . . . . .	3	-	F14041	EXTERNAL TOOTH LOCKWASHER . . . . .	11	23
A480397	DECAL, ENGINE COVER - PORT . . . . .	3	11	F14042	DISTRIBUTOR HOUSING W/BEARINGS . . . . .	11	12
F10000	GASKET SET (NOT SHOWN) . . . . .	21	-	F14043	DISTRIBUTOR SHAFT . . . . .	13	40
F10026	REPAIR PARTS KIT . . . . .	21	103	F14045	SCREW . . . . .	11	16
F1004	PLAIN WASHER . . . . .	31	20	F14046	TERMINAL SCREW . . . . .	11	19
				F14047	TERMINAL INSULATOR (INSIDE) . . . . .	11	20
				F14049	TERMINAL INSULATOR (OUTSIDE) . . . . .	11	22

# PARTS INDEX

Part Number	Description	Pg.	Ref. No.	Part Number	Description	Pg.	Ref. No.
F14056	SCREW	13	47	F1540	HEX SLOT HD SCREW, 1/4 - 20 X 5/8	3	20
F1425	HEX CAP SCREW, 1/4 - 20 X 2 5/8	39	63	F1541	HEX CAP SCREW, 1/4 - 20 X 5/8	3	25
F1425	HEX CAP SCREW, 1/4 - 20 X 5/8	41	-	F154317	CABLE CLAMP	45	23
F1447	ROUND HD SCREW, 2 X 3/16	3	19	F1545	HEX HD SCREW, 1/4 - 20 X 1/2	21	91
F1473	HEX NUT, 10 - 24	3	36	F1546	HEX HD CAP SCREW, 1/4 - 20 X 1/2	9	42
F1475	FILL HD SCREW, 10 - 24 X 1/2	23	11	F1556	FILL HD SCREW W/LOCKWASHER, 10 - 24 X 3/8	23	14
F1491	HEX CAP SCREW, 5/16 - 18 X 3 1/4	39	41	F1557	FLAT HD SCREW, 10 - 24 X 3/8	45	25
F1502	HEX CAP SCREW, 1/4 - 20 X 5/8	21	97	F1577	FILL HD SCREW, 1/4 - 20 X 3/4	37	20
F1502	HEX HD SCREW, 1/4 - 20 X 5/8	15	14	F1593	HEX HD SCREW, 3/8 - 16 X 3	31	18
F15034	SPRING SET	15	17	F1612	HEX CAP SCREW, 3/8 - 16 X 1 1/4	11	8
F1504	FILL HD SCREW, 1/4 - 20 X 1 1/4	19	56	F1641	LOCK NUT	15	6
F1504	FILL HD SCREW, 1/4 - 20 X 1 1/4	23	12	F1645	RD HD SCREW, 6 - 32 X 1/4	9	52
F15057	BRUSH PLATE AND HOLDER	15	18	F1645	RD HD SCREW, 6 - 32 X 1/4	21	100
F15080	SPRING	15	3	F1647	HEX NUT, 10 - 32	25	86
F15099	ARMATURE	15	8	F1647	HEX NUT, 8 - 32	7	6
F15100	BENDIX	15	20	F1647	HEX NUT, 8 - 32	11	24
F15110	CLUTCH ASSEMBLY	15	4	F1648	PAN HD SCREW, 10 - 24 X 3/4	7	16
F15111	NUT, STOP RETAINING	15	1	F1664	SPRING PIN	31	8
F15112	STOP, PINION	15	2	F1666	BOWED SPRING WASHER	33	71
F15125	HEAD ASSEMBLY, COMMUTATOR END	15	16	F1669	LOCK NUT	31	36
F15126	THRUST WASHER PACKAGE	15	7	F1678	FILL HD SCREW, 10 - 24 X 13/16	7	2
F1513	HEX NUT	7	18	F1692	WOODRUFF KEY	13	41
F1513	HEX NUT	45	3	F1693	TIE BAR RETAINER	19	46
F1513	HEX NUT, 10 - 32	17	29	F1696	HEX BOLT, 5/16 - 18 X 1 3/4	31	33
F1513	HEX NUT, 10 - 32	23	7	F17006	DETENT SPRING	45	18
F1515	HEX NUT	7	24	F17009	BEARING	45	14
F1515	HEX NUT, 5/16 - 18	17	37	F17010-1	THROTTLE GEAR	45	16
F15165	BRUSH TERMINAL SET	15	10	F17011	BOWED WASHER	45	15
F15167	HEAD ASSEMBLY DRIVE END	15	5	F17012	RETAINING PLATE	45	13
F15168	THRU BOLT PACKAGE	15	12	F17013	FILL HD SCREW, 1/4 - 20 X 1/2	45	11
F1528	WELCH PLUG	31	22	F17014	THROTTLE ARM	45	10
F1532	HEX HD SCREW, 1/4 - 2 X 3/4	23	43	F17016	CABLE TERMINAL	45	9
F1532	HEX HD SCREW, 1/4 - 20 X 1	21	94	F17019	CLUTCH ARM	45	5
F1532	HEX HD SCREW, 1/4 - 20 X 1	23	35	F17021	CLUTCH GEAR	45	19
F1533	HEX BOLT, 1/4 - 20 X 7/8	23	6	F17026	SWIVEL	45	24
F1534	HEX CAP SCREW, 1/4 - 20 X 7/8	23	42	F1703	SPRING LOCKWASHER	25	62
F1534	HEX CAP SCREW, 1/4 - 20 X 7/8	39	55	F1703	SPRING LOCKWASHER	33	65
F1535	HEX CAP SCREW, 1/4 - 20 X 3/4	3	14	F17031-1	SNAP CAP	45	28
F1535	HEX HD SCREW, 1/4 - 20 X 3/4	27	90	F17036	INTERNAL TOOTH LOCKWASHER	45	6
F1536	HEX CAP SCREW, 1/4 - 20 X 3/4	7	23	F1704	INTERNAL TOOTH LOCKWASHER	21	99
				F1705	HEX CAP SCREW, 1/4 - 20 X 3/4	37	1
				F17068	DETENT SPRING	47	37
				F17071	FILL HD SCREW, 10 - 24 X 5/16	45	22

# PARTS INDEX

Part Number	Description	Pg.	Ref. No.	Part Number	Description	Pg.	Ref. No.
F1708	HEX HD SCREW, 1/4 - 20 X 1 3/8	25	77	F184033-1	CHOKE ARM SWIVEL	21	85
F17082-1	DETENT BALL	47	38	F184579	SEAL, CHOKE ARM SWIVEL	21	82
F1709	HEX HD SCREW, 1/4 - 20 X 1 1/8	25	76	F1851	FILL HD SCREW W/LOCKWASHER, 10 - 24 X 1/2	7	39
F17092	SNAP RING	45	21	F1857	HEX CAP SCREW, 5/16 - 18 X 5/8	3	23
F17099-1	HOUSING	45	36	F1857	HEX CAPSCREW, 5/16 - 18 X 5/8	3	35
F17100	CLUTCH SHAFT	45	20	F1858	HEX CAP SCREW, 5/16 - 18 X 1	3	24
F17103-1	BAG ASSEMBLY (NOT SHOWN).	47	-	F1858	HEX CAP SCREW, 5/16 - 18 X 1	39	39
F17105	FELT WASHER	45	33	F1860	SLOTTED BINDING HD SCREW, 6 - 32 X 1/4	17	1
F17106	COLLAR	45	34	F1864	HEX SLOT HD SCREW, 1/4 - 20 X 3/4	31	4
F17111	DETENT BALL	45	17	F1866	PLAIN WASHER	37	16
F17112	JUNCTION BOARD, STARBOARD	45	26	F1867	HEX CAP SCREW, 3/8 - 16 X 1	29	19
F17113	JUNCTION BOARD, PORT	45	-	F1869	HEX BOLT, 3/8 - 16 X 1 1/4	25	61
F1713	SPRING PIN	37	26	F1871	HEX HD SCREW, 3/8 - 16 X 3/4	33	61
F17146	WOOD SCREW	45	35	F1872	HEX BOLT, 3/8 - 16 X 1 3/4	27	99
F17147	INTERNAL TOOTH LOCKWASHER	45	12	F1873	HEX BOLT, 3/8 - 16 X 3	27	96
F17148	DECAL, STARBOARD	45	27	F1877	TY-RAP	7	29
F17149	COTTER PIN	45	8	F1883	HEX BOLT, 5/16 - 18 X 2 3/8	25	67
F1715	HEX BOLT, 1/4 - 28 X 9/16	45	7	F1885	HEX BOLT, 5/16 - 18 X 4 1/4	25	55
F1727	PLASTIC RIVET	23	16	F1885	HEX CAP SCREW, 5/16 - 18 X 4 1/4	37	6
F1729	PLUG	31	5	F1892	STOP NUT	9	53
F1730	SCREW, PAN HD W/SPRING LOCKWASHER, 1/4 - 20 X 5/8	3	4	F1907	PLAIN WASHER	37	7
F1733	SCREW, PAN HD, 10 - 24 X 9/16	3	2	F1910	STOP NUT, 1/4 - 20	17	31
F1734	FILL HD SCREW W/LOCKWASHER, 1/4 - 20 X 1/2	7	14	F19109	PLUG	25	73
F1741	PAN HD SCREW, 8 X 3/4	7	35	F19109	PLUG, GEAR HOUSING	39	31
F1744	SPRING PIN	31	40	F1912	HEX HD SCREW, 10 - 24 X 1/2	33	59
F1744	SPRING PIN	33	45	F1916	HEX HD SCREW, 1/4 - 20 X 1 1/8	17	25
F1755	RD HD SCREW W/LOCKWASHER, 6 - 32 X 5/16	17	16	F1934	FLAT HD SLOTTED SCREW, 6 X 1/2	9	50
F1759	SHIM, DISTRIBUTOR (QTY. AS REQUIRED)	11	11	F1936	SPACER, BEVEL GEAR FRONT .059	37	28
F1760	PAN HD SCREW, 10 - 24 X 3/8	7	19	F1937	SPACER, BEVEL GEAR FRONT .062	37	-
F1760	PAN HD SCREW, 10 - 24 X 3/8	11	25	F1938	SPACER, BEVEL GEAR FRONT .065	37	-
F1760	PAN HD SCREW, 10 - 24 X 3/8	19	60	F1939	SPACER, BEVEL GEAR FRONT .068	37	-
F1760	PAN HD SCREW, 10 - 24 X 3/8	23	2	F1940	SPACER, BEVEL GEAR FRONT .071	37	-
F177330	FUEL PUMP VALVE	17	9	F1941	SPACER, BEVEL GEAR FRONT .074	37	-
F177350	REVERSE LOCK PIN	31	41	F1942	SPACER, BEVEL GEAR FRONT .077	37	-
F1778	PLAIN WASHER	11	9	F195/___	REMOTE CONTROL CABLES	54	-
F178323	SEAL, MOTOR LEG	31	13	F1950	HEX HD SCREW, 10 - 24 X 5/8	25	81
F1788	STOP NUT	37	15	F1968	FLYWHEEL NUT	29	21
F17932	SEAL, FUEL TANK ADAPTER	43	12	F1975	SPRING LOCKWASHER	7	10
F18160-2	REED	23	28				
F1822	HEX BOLT, 5/16 - 18 X 7/8	33	69				
F1832	STOP NUT, 1/4 - 20	25	59				
F1836	PLAIN WASHER	41	72				
F1836	SPRING PIN	33	57				

# PARTS INDEX

Part Number	Description	Pg.	Ref. No.	Part Number	Description	Pg.	Ref. No.
F1975	SPRING LOCKWASHER	11	26	F235785	DECAL, COMPLIANCE (CANADA)	5	41
F197787-3	FUEL LINE COUPLER	43	6	F235785	DECAL, COMPLIANCE - CANADA (NOT SHOWN)	9	-
F197813	BEARING	33	54	F24278	PROPELLER SHAFT SPOOL SEAL	41	-
F1987	PLAIN WASHER	33	50	F24278	SEAL, "O" RING PROPELLER SHAFT SPOOL	37	10
F1990	HEX CAP SCREW	41	-	F269319	BEARING	17	32
F1990	HEX CAP SCREW, 1/4 - 20 X 1 5/8	39	61	F284659-2	CRANKSHAFT THRUST BEARING UPPER	29	22
F1994	HEX SOCKET HD CAP SCREW, 5/16 - 18 X 1	39	37	F286461	SPRING LOCK BAR HANDLE	31	43
F1997	STOP NUT, 8 - 32	17	40	F289446-1	CLAMP	7	12
F2000	HEX CAP SCREW, 5/16 - 18 X 3/4	9	47	F298788	FERRULE	43	7
F2008	HEX HD SCREW, 1/4 - 20 X 7/8	17	24	F2A404757	CYLINDER DRAIN REED PLATE W/REEDS, STOPS, METERNG CUP & SCRW	23	27
F2014	PLAIN WASHER	33	62	F2A498023	BEVEL GEAR FRONT W/BEARING	37	29
F2015	HEX NUT, 1/4 - 28	23	19	F2A498662	BEVEL GEAR, REAR W/BEARING CAGE, SPACER AND BEARING	37	22
F2016	FILL HD SCREW, 6 - 32 X 7/8	21	101	F2A523239	SPOOL, PROPELLER SHAFT BEARING W/SEALS	37	11
F2030	HEX HD SCREW, 1/4 - 20 X 1 1/4	33	70	F2A550706	GEAR HOUSING COVER W/SEAL	39	53
F203276	BOOT	11	30	F307317	CLIP, TERMINAL BLOCK	7	17
F2033	GROOVE PIN	21	87	F316579	SEAL, CRANKCASE	29	11
F203673	TERMINAL CLIP	11	31	F316599	SEAL, STEERING SUPPORT TUBE	33	79
F2042	PLAIN WASHER	23	5	F319908	WIRE, GROUND	9	57
F2042	PLAIN WASHER	27	105	F321756	PACKING	3	31
F2047	WAVE WASHER	3	30	F321841-3	LEAD WIRE	11	32
F2050	HEX HD SCREW, 1/4 - 20 X 1 1/2	17	26	F333316	THROTTLE ROLLER SHAFT	19	49
F2066	PAN HEAD TAPPING SCREW, 10 X 7/16	5	38	F335215	SPACER, PISTON PIN (2 PER PISTON)	29	3
F2067	PLASTISOL CAP (NOT SHOWN). FOR EXPOSED THREADS OF CRANKSHAFT	29	-	F335217-1	BEARING PISTON PIN (26 PER SET)	29	5
F2088	FASTENER	3	7	F335654-1	STOP, DEFLECTION	3	21
F2089	SLOTTED PAN HD MACHINE SCREW, 10 - 24 X 5/16	27	101	F338618-1	GEAR SHIFT ROD SEAL	41	-
F2090	PLUG	25	64	F338618-1	SEAL, GEAR SHIFT ROD	31	16
F2093	STOP NUT, 3/8 - 24	35	85	F338618-1	SEAL, GEAR SHIFT ROD	39	56
F2107	FILL HD SCREW, 10 - 24 X 5/8	7	9	F345475-1	COIL	9	44
F2108	LOCK NUT, 5/16 - 18	33	73	F345683	WIRE, REGULATOR-RECTIFIER GROUND	7	5
F2108	STOP NUT, 5/16 - 18	25	58	F351307	SEAL, WATER PUMP	39	64
F2113	SPACER, BEVEL GEAR FRONT .080	37	-	F353480	STUD	31	25
F2114	SPACER, BEVEL GEAR FRONT .083	37	-	F369349	REVERSE LOCK	31	37
F2115	SPACER, BEVEL GEAR FRONT .086	37	-	F369364	REVERSE LOCK ARM	33	52
F2116	SPACER, BEVEL GEAR FRONT .089	37	-	F369510	LINK	31	39
F2121	SPACER, BEVEL GEAR FRONT .057	37	-	F369529	CYLINDER HEAD GASKET	25	74
F2122	SPACER, BEVEL GEAR FRONT .054	37	-	F369529	CYLINDER HEAD GASKET	27	-
F213274	GREASE FITTING	11	27	F369610	BEARING	25	53
F213274	GREASE FITTING	31	32	F369827	HANDLE AND SHAFT	33	53
F213342	SEAL, FUEL LINE COUPLER (LARGE)	43	4	F369887	SHOULDER SCREW	25	52
F213735	SEAL, FUEL LINE COUPLER (SMALL)	43	5	F369977-1	INTERLOCK ARM	25	54
				F373778-1	RETAINER, ENGINE COVER	3	37
				F381896-4	BATTERY CABLE	7	30
				F391926-1	CHOKE SOLENOID PLUNGER	21	89

# PARTS INDEX

Part Number	Description	Pg.	Ref. No.	Part Number	Description	Pg.	Ref. No.
F391983	RETAINING BAND . . . . .	7	27	F480518	CYLINDER HEAD . . . . .	25	72
F3A523158	REED PLATE W/REEDS, REED STOP AND SCREW	17	19	F480551-1	BRACKET INTERLOCK SWITCH . . . . .	21	95
F40209	CARBURETOR STUD . . . . .	17	36	F480818	BEARING, LATCH SHAFT . .	3	13
F40223	GASKET, TRANSFER PORT COVER . . . . .	23	41	F481382-1	SPACER, LATCH SHAFT . . .	3	29
F40223	TRANSFER PORT COVER GASKET . . . . .	27	-	F481434	GUIDE, ENGINE COVER . . .	3	8
F404097	FLYWHEEL . . . . .	7	1	F481567	CARBURETOR INTAKE ADAPTER . . . . .	19	55
F404268	SPRING, BY-PASS VALVE . .	25	84	F481774	BRACKET, ENGINE COVER LATCH . . . . .	3	9
F404470-1	REGULATOR-RECTIFIER . .	7	8	F481777	CAM, LATCH SHAFT . . . . .	3	28
F404513	COIL CLAMP . . . . .	7	40	F481836	INTAKE GASKET . . . . .	19	70
F404801	FITTING . . . . .	23	36	F481836	INTAKE GASKET . . . . .	27	-
F404841	CABLE, HEAT INDICATOR . .	7	37	F481860-1	CARBURETOR, INTAKE . . .	19	57
F40689-1	BEARING, TOWERSHAFT . .	25	60	F483884	BEARING . . . . .	33	58
F407446	CLAMP . . . . .	7	31	F485755-1	FUEL TANK ADAPTER . . . .	43	3
F409251-1	GAUGE CAP . . . . .	43	1	F498061-1	CARBURETOR COMPLETE (WB26B) . . . . .	19	72
F433114	HANDLE, LOCK BAR . . . . .	33	44	F498618	GEAR SHIFT ARM PIN SEAL	41	-
F433209-1	STUD . . . . .	17	30	F498618	SEAL . . . . .	39	33
F433253	HOSE . . . . .	23	37	F498891	PIN, GEAR SHIFT ARM . . . .	39	32
F438066	BY-PASS VALVE COVER . . .	25	82	F498891	PIN, PROPELLER NUT RETAINING . . . . .	37	14
F438129	SEAL, DRIVESHAFT SPLINE	41	71	F499995	CYLINDER HEAD COVER . .	25	68
F438165	SCREW, FUEL PUMP BOWL	17	15	F50109	PLUG, GEAR HOUSING . . . .	39	44
F438169	BEARING . . . . .	31	34	F50342-1	BEARING CAGE BOLT SEAL	41	-
F438271	RETAINER, CRANKSHAFT SPLINE SEAL . . . . .	41	70	F50342-1	SEAL, BEARING CAGE BOLTS . . . . .	37	8
F438346	SHOCK MOUNT, LOWER . .	33	67	F506118	PROPELLER SHAFT SEAL . .	41	-
F438398	DECAL, WIRING - USA . . . .	25	75	F506118	SEAL, DRIVESHAFT . . . . .	39	52
F438500	FUEL SEDIMENT BOWL . . .	17	14	F506118	SEAL, PROPELLER SHAFT .	37	9
F438617	FUEL SEDIMENT BOWL GASKET . . . . .	17	13	F510374	DECAL, CIRCUIT BREAKER - USA . . . . .	7	41
F438653	FUEL SEDIMENT BOWL SCREEN . . . . .	17	12	F510460	CIRCUIT BREAKER . . . . .	7	22
F438668	RETAINER, CABLE CLAMP . .	7	13	F511125-2	TUBE, STEERING SUPPORT	31	23
F438744-1	WIRING HARNESS . . . . .	7	4	F511675	STARTER BRACKET, LOWER . . . . .	15	15
F438747	FUEL PUMP DIAPHRAGM . .	17	7	F523031	GASKET, WATER PUMP . . .	39	57
F438754	FUEL LINE . . . . .	19	79	F523031	GASKET, WATER PUMP . . .	41	-
F438760	FUEL PUMP GASKET . . . . .	17	8	F523057	BEARING, DRIVESHAFT LOWER . . . . .	39	66
F438801	FITTING . . . . .	17	5	F523065	IMPELLER . . . . .	41	-
F438841-1	LEAD WIRE - CANADA . . . .	11	-	F523065	WATER PUMP IMPELLER . .	39	59
F438905	COIL WIRE - CANADA . . . .	11	-	F523094-2	PROPELLER NUT . . . . .	37	13
F438930	RETAINER, SNOOT . . . . .	39	36	F523099-1	SPACER, PROPELLER . . . .	37	19
F438962	SHOCK MOUNT SLIDE . . . .	31	15	F523116	EXHAUST SNOOT . . . . .	39	38
F439736	SEAL EXHAUST TUBE . . . .	31	6	F523133-2	MOTOR LEG . . . . .	33	75
F448543	KNOB . . . . .	45	29	F523146	SEAL, CRANKSHAFT LOWER . . . . .	29	13
F448611	HANDLE . . . . .	45	30	F523188	NUT, BEVEL PINION RETAINING . . . . .	39	34
F449894	INDICATOR . . . . .	45	32	F523244	INLET WATER LINE . . . . .	37	5
F455690	SET SCREW . . . . .	45	31	F523273	STEERING BALL STUD . . . .	35	89
F460917	STARTER RELAY . . . . .	7	26	F523274	GREASE FITTING . . . . .	33	78
F474073-1	CLAMP SCREW . . . . .	31	26	F523280	NUT, STEERING SUPPORT TUBE . . . . .	33	77
F474387	TIMING DECAL - USA . . . .	9	56	F523300-1	SPRING STEERING LINK . .	33	84
F474390-1	DECAL, REVERSE LOCK . . .	33	80	F523411	RETAINING RING . . . . .	37	23
F476066-1	COVER, THERMOSTAT . . . .	25	47	F523498	DRIVE KEY, WATER PUMP .	39	68
F476067	GASKET, THERMOSTAT COVER . . . . .	27	94	F523498	KEY . . . . .	41	-
F476067	THERMOSTAT COVER GASKET . . . . .	27	-				
F480038-2	PLATE, SUPPORT . . . . .	3	15				
F480107-1	CAM, STARTER INTERLOCK	27	102				



# PARTS INDEX

Part Number	Description	Pg.	Ref. No.	Part Number	Description	Pg.	Ref. No.
F523555	GEAR HOUSING COVER			F5H031	SWITCH KIT - SPOT LIGHT	56	-
	SEAL	41	-	F5H032	SWITCH KIT - WIPER	56	-
F523555	SEAL, "O" RING - GEAR HOUSING COVER	39	49	F5H034	SWITCH KIT - BILGE PUMP	56	-
F523562	PLATE, WATER PUMP	41	-	F5H035	SWITCH KIT - HORN	56	-
F523562	WATER PUMP BACK PLATE	39	58	F5H036	SWITCH KIT - TACHOMETER TRANSFER	56	-
F523705	GEAR SHIFT ROD LOWER	39	46	F5H037	CIGAR LIGHTER	55	-
F523813	BEARING CUP	37	30	F5H038	IGNITION SWITCH MOUNTING KIT (ACCESSORY ITEM)	9	49
F523834	CLIP, SPARK PLUG WIRE	23	3	F5H038	SWITCH KIT - IGNITION SWITCH	56	-
F523881-1	STEERING LINK	35	87	F5H039	SWITCH KIT - INSTRUMENT LIGHT	56	-
F523899	GROMMET, WATER LINE	37	4	F5H040	STEEL, 12 GALLON FUEL TANK	54	-
F523930	RETAINER	35	88	F5H041	BATTERY CABLE CLAMP KIT. (ACCESSORY ITEM)	7	32
F523961	CRUSH RING	39	50	F5H041	BATTERY TERMINAL KIT	55	-
F523962	SHOCK MOUNT - C.D. UNIT	9	46	F5H043	OVERHEAT BUZZER	55	-
F528068	THERMOSTAT	25	70	F5H043	OVERHEAT BUZZER (ACCESSORY ITEM)	7	36
F530160	REED (5 PETAL)	17	18	F5H044	TILT STOP KIT	55	-
F531892	DECAL, PORT	45	-	F5H064	EXHAUST SNOOT	55	-
F532299	WASHER, PROPELLER SPLINE	37	17	F5H068	RFI SUPPRESSION KIT	55	-
F53504	GROMMET	19	58	F5H070	REMOTE ELECTRIC CABLE	55	-
F545189	BUSHING, CABLE ENTRY	3	17	F5H074	WATER PUMP KIT	56	-
F548984	BLANKET, SILENCER - TOP (NOT SHOWN)	5	-	F5H075	WIRING HARNESS - IGNITION SWITCH (24")	56	-
F548985	BLANKET, SILENCER - SIDE (NOT SHOWN)	5	-	F5H076	SWITCH EXTENSION CABLE	56	-
F549189	BUSHING, ELECTRIC CABLE	3	16	F5H077	IGNITION KEY SWITCH	55	-
F563	TERMINAL BLOCK KIT	56	-	F5H078	IGNITION KEY SWITCH	55	-
F58685-2	CONNECTOR, SHIFT CABLE	45	2	F5H078	IGNITION SWITCH (LONG BARREL) W/KEYS AND SCREWS	7	34
F590	REMOTE CONTROL - FLUSH MOUNT	54	-	F5H079	SINGLE REMOTE CONTROL BOX	54	-
F596	CHRYSLER OUTBOARD OIL	56	-	F5H080	TWIN REMOTE CONTROL BOX	54	-
F597	CHRYSLER OUTBOARD GEAR LUBE	56	-	F5H081	BATTERY CABLE	55	-
F5H002	SPEEDOMETER FLUSH MOUNT	56	-	F5H094	STEERING LINK KIT	54	-
F5H004	SPEEDOMETER FLUSH MOUNT	56	-	F5H108	STEERING CONNECTOR	54	-
F5H005	TEMPERATURE GAUGE FLUSH MOUNT	56	-	F5H112	INSTRUMENT ADAPTER - 3 1/2"	54	-
F5H006	VOLTMETER - FLUSH MOUNT	55	-	F5H115	TRAILERING TILT LOCK	56	-
F5H007	HOURLY METER	55	-	F5H120	REMOTE CONTROL BACK PLATE	54	-
F5H008	FUEL GAUGE FLUSH MOUNT	55	-	F5H123	HYDRAULIC TILT	55	-
F5H010	POWER TRIM INDICATOR	55	-	F5H127	POWER TRIM	56	-
F5H012	TACHOMETER FLUSH MOUNT	56	-	F5H129	SHOCK ABSORBER KIT	55	-
F5H018	DUAL STEERING CONNECTOR	54	-	F5H130	REMOTE CONTROL - SURFACE MOUNT	54	-
F5H019	ANTI-CORROSION KIT	54	-	F5H131	PORT SIDE DECAL KIT	54	-
F5H021	EXTENSION CABLE	55	-	F5H132	REMOTE CONTROL HANDLE TRIM SWITCH	54	-
F5H025	ANTI-CORROSION SACRIFICIAL ANODE	55	-	F5H134	BOAT WHITE LACQUER	55	-
F5H026	FUEL TANK (ACCESSORY ITEM)	43	2	F63754	HOSE INTAKE DRAIN	19	63
F5H026	STEEL, 6 GALLON FUEL TANK (LOW PROFILE)	54	-	F7004	STOP NUT, 3/18 - 16	23	24
F5H028	SENDING UNIT	55	-	F7012	LOCK NUT, 1/2 - 20	31	17
F5H029	TANK ANCHOR	54	-	F7013	STOP NUT	11	2

# PARTS INDEX

Part Number	Description	Pg.	Ref. No.	Part Number	Description	Pg.	Ref. No.
F72H29	CHRYSLER OUTBOARD			F84504	THERMOSTAT GROMMET	27	-
	MULTI-PURPOSE GREASE	57	-	F84521-1	CLUTCH	37	27
F72H30	CHRYSLER OUTBOARD			F84792	GASKET, FUEL PUMP		
	GREASE GUN	57	-		VALVE	17	10
F74305	GEAR HOUSING COVER			F84871-1	PIN, GEAR SHIFT	37	25
	SEAL	41	-	F85017	PISTON PIN	29	4
F74305	SEAL, DRIVESHAFT			F85026	SWIVEL	23	21
	BEARING CAGE	39	51	F85033	CHOKE ROD SWIVEL	19	81
F762	REMOTE ELECTRIC CABLE	55	-	F85035	DISTRIBUTOR CONTROL		
F8003	PLAIN WASHER	23	30		ROD END	23	20
F8004	WASHER, PLAIN	3	27	F85036	TOWERSHAFT CONTROL		
F8011	PLAIN WASHER	7	20		ROD END	23	17
F8028	PLAIN WASHER	15	13	F85037-1	STERN BRACKET PIVOT		
F8038	PLAIN WASHER	27	103		BOLT	33	46
F8038	PLAIN WASHER	35	86	F85095-2	STATOR	7	3
F8056	LOCKWASHER	11	18	F85117	BRACKET, WATER LINE	37	2
F8056	LOCKWASHER	13	43	F85122	CRANKCASE SEAL	27	-
F8056	SPRING LOCKWASHER	7	7	F85122	PARTING LINE SEAL	27	93
F8056	SPRING LOCKWASHER	25	87	F85130	BOOT, IDLE EXHAUST	31	9
F8058	INTERNAL TOOTH			F85151-1	EXHAUST PORT PLATE	25	80
	LOCKWASHER	17	27	F85152-4	EXHAUST PORT COVER	25	78
F8058	INTERNAL TOOTH			F85154-1	EXHAUST PORT PLATE		
	LOCKWASHER	25	48		GASKET	27	-
F8077	WASHER	41	-	F85154-1	GASKET, EXHAUST PORT		
F8077	WASHER, GEAR HOUSING				PLATE	25	79
	PLUG	39	43	F85159	GASKET, INTAKE MANIFOLD	17	22
F8080	HELICAL SPRING WASHER	33	83	F85159	MANIFOLD GASKET	27	-
F8083	LOCKWASHER	3	26	F85161-1	REED STOP	17	17
F8083	SPRING LOCKWASHER	9	43	F85162	REED PLATE ADAPTER	17	21
F8083	SPRING LOCKWASHER	31	3	F85168	CARBURETOR ADAPTER		
F8083	SPRING LOCKWASHER	39	54		FLANGE GASKET	27	-
F8083	SPRING LOCKWASHER	41	-	F85168	GASKET REED PLATE		
F8088	PLAIN WASHER	21	102		ADAPTER	17	20
F8088	PLAIN WASHER	21	83	F85173	RETAINING RING	11	6
F8094	PLAIN WASHER	33	55	F85192-1	THROTTLE CAM	17	33
F8095	PLAIN WASHER	27	104	F85210	STUD	27	91
F8096	LOCKWASHER	3	22	F85211	STUD, REAR	23	46
F8096	LOCKWASHER	3	34	F85253-1	FUEL LINE	21	88
F8096	SPRING LOCKWASHER	7	25	F85258	INSERT	31	10
F8096	SPRING LOCKWASHER	33	68	F85279-2	CYLINDER EXHAUST		
F8096	SPRING LOCKWASHER	39	40		GASKET, UPPER	25	51
F84011	WASHER	33	51	F85279-2	CYLINDER, EXHAUST -		
F84074	CLAMP SCREW FOOT	31	24		UPPER GASKET	27	-
F84146-2	SEAL	29	20	F85300	REVERSE LOCK SPRING	31	38
F84278	CRANKSHAFT BRG. CAGE			F85311	DISTRIBUTOR BELT	11	1
	SEAL	27	-	F85314-1	FUEL FITTING	21	92
F84278	SEAL, CRANKSHAFT			F85317-1	CLAMP	21	90
	BEARING CAGE	29	17	F85350-1	TILT STOP PIVOT	31	29
F84286-1	FRICTION WASHER	33	47	F85372	PIN, GEAR SHIFT ROD		
F84304	SEAL, PROPELLER SHAFT				LOWER	39	48
	BEARING SPOOL	37	12	F8538	SPRING PIN	31	27
F84305	PROPELLER SHAFT SPOOL			F85380	SPRING	31	11
	SEAL	41	-	F85410	SNAP RING	29	8
F84307-1	DRIVESHAFT SEAL	41	-	F85426	TILT STOP	33	48
F84314-2	ELBOW	17	3	F85445	DISTRIBUTOR CONTROL		
F84314-2	ELBOW	23	22		ROD	23	18
F84342	SEAL, INLET WATER LINE			F85472-2	CYLINDER DRAIN COVER		
	UPPER	37	3		GASKET	27	-
F84449	INTERLOCK SWITCH	21	98	F85472-2	GASKET, CYLINDER DRAIN		
F84504	GROMMET	25	71		COVER	23	32

# PARTS INDEX

Part Number	Description	Pg.	Ref. No.	Part Number	Description	Pg.	Ref. No.
F85498	FLYWHEEL KEY	29	16	FA15072	HEX LOCK NUT, 1/4 - 20	15	11
F85502	THROTTLE LINK	23	8	FA321574	DISTRIBUTOR BRACKET	11	10
F85509-1	CHOKE LINK	19	78	FA335260	PISTON RING SET (3 PER SET) STANDARD	29	1
F85541-1	TILT LOCK	31	30	FA368700	KEY, IGNITION - NO LETTER OR STAMPED A	9	54
F85571	BEARING CAGE W/ROLLER	29	10	FA411222	TRANSFER PORT COVER W/PLUG	23	40
F85606	KINGPIN CAP	31	31	FA438113	STERN BRACKET LOCK BAR W/HANDLE	31	42
F85610	BEARING	25	56	FA438431	FUEL PUMP BODY W/VALVES	17	11
F85615	GEAR SHIFT ROD, UPPER	33	72	FA438493	TERMINAL BLOCK BRACKET	7	11
F8563	DOWEL PIN	27	92	FA439746	FUEL PUMP COVER W/PLUG	17	6
F85634-2	CONNECTING ROD SCREW	29	14	FA480010	CYLINDER ASSEMBLY W/PRTNG LINE SEAL & LOWR MAIN BEARNG ASS'Y	27	89
F85660-1	EXHAUST TUBE	31	2	FA480179	TRIM, TOP	3	1
F85664	DISTRIBUTOR GROUND	11	28	FA480269	HANDLE, TILT	3	3
F85664	WIRE, DISTRIBUTOR GROUND	9	51	FA480876	GEAR SHIFT ARM W/SWIVEL, INTERLOCK ARM AND BEARINGS	25	57
F85704	COUPLER, GEARSHIFT ROD, UPPER	33	76	FA480894	TIMING POINTER	23	1
F85748-2	CYLINDER DRAIN REED PLATE GASKET	27	-	FA481469	LATCH HANDLE, ENGINE COVER W/SHAFT	3	12
F85748-2	GASKET, CYLINDER DRAIN REED PLATE	23	25	FA481743	LATCH, ROLLER BRACKET, W/ROLLER	3	33
F85762	BY-PASS VALVE PLATE GASKET	27	-	FA498266	BEVEL PINION GEAR W/CRUSH RING AND SHIMS	39	35
F85762	GASKET, BY-PASS VALVE	25	83	FA510497	TERMINAL BLOCK	7	15
F85772	CLAMP	31	12	FA523014	CRANKSHAFT LOWER MAIN BEARING W/SEAL	29	12
F85779-1	BAFFLE, AIR INTAKE	33	60	FA523054	GEAR HOUSING	39	42
F85843-1	REMOTE ELECTRIC CABLE, 18 FEET	7	38	FA523098	PROPELLER SHAFT	37	24
F85859	STUD, FORWARD	23	23	FA523485	ANTI-CORROSION ANODE	37	21
F85906	CARBURETOR GASKET	17	35	FA523735	SEAL, INLET WATER LINE LOWER	39	65
F85906	CARBURETOR GASKET	27	-	FA535395	IDENTIFICATION PLATE, W/SCREWS - USA	3	18
F85908	STARTER LEAD WIRE	15	19	FA548180	TRIM, REAR	3	5
F85916-1	BY-PASS VALVE	25	85	FA548888	TRIM, FRONT	5	40
F85924	CHOKE SOLENOID	7	28	FA549944	COVER, ENGINE W/RETAINER	3	6
F85925	CHOKE ROD	21	86	FA58976-1	CONNECTOR, THROTTLE CABLE	45	1
F85965	SHOCK MOUNT, UPPER	33	64	FA84621-1	COUPLING, GEAR SHIFT ARM W/BUSHING	39	45
F861	FLUSHING ADAPTER	54	-	FA84754-1	FUEL LINE SHORT W/FERRULES	43	8
F89758	FUEL PUMP AIR HOSE, TOP	17	4	FA85018-2	CRANKSHAFT W/BEARING	29	15
F9018	CAP	31	28	FA85019	KINGPIN W/PLUG	31	35
F9052	PLUG	33	74	FA85193	TIE BAR END W/SWIVEL	17	43
F90619-1	YOKE	41	73	FA85355-1	WASHER SHOCK MOUNT, UPPER	33	63
F90807	RETAINING RING	19	47	FA85511	THROTTLE TIE BAR W/SWIVEL	19	44
F9095	SHIM, DRIVESHAFT BEARING UPPER .005 - SILVER	39	-				
F9097	SHIM, DRIVESHAFT BEARING UPPER .010 - BLACK	39	-				
F9106	SHIM, DRIVESHAFT BEARING UPPER .003 - BRASS	39	67				
F91446-1	CIRCUIT BREAKER BRACKET	7	21				
F92759	THROTTLE ROLLER	19	48				
F93811	SCREEN	23	26				
F93920	REED STOP	23	29				
F97772	FUEL LINE CLAMP	43	11				
F97772	HOSE CLAMP	19	62				
F98273	ROD END CONNECTOR STUD	25	50				
FA14048-2	PREAMPLIFIER	11	17				

# PARTS INDEX

Part Number	Description	Pg.	Ref. No.	Part Number	Description	Pg.	Ref. No.
FA85838-5	TOWERSHAFT W/BEARINGS, SWIVEL, ARMS AND SCREWS . . . .	23	10	FO16397	CHOKE SHAFT RETURN SPRING . . . . .	19	73
FAC535395	IDENTIFICATION PLATE, W/SCREWS - CANADA . . .	3	-	FO16850	CHOKE SHAFT AND LEVER	19	74
FB368700	KEY IGNITION - STAMPED B	9	-	FO2510	GASKET, FUEL BOWL RETAINING SCREW . . . .	19	66
FC368700	KEY IGNITION - STAMPED C	9	-	FO4326	BODY CHANNEL WELCH PLUG . . . . .	17	38
FC409398	DECAL, TOTE TANK - CANADA (NOT SHOWN) . .	43	-	FO8942	SHUTTER SCREW W/LOCKWASHER . . . . .	17	41
FC438398	DECAL, WIRING - CANADA .	25	-	FO8942	THROTTLE SHUTTER SCREW AND LOCKWASHER . . . . .	21	96
FC474387	TIMING DECAL - CANADA . .	9	-	FP524	PROPELLER (ACCESSORY ITEM) . . . . .	37	18
FC499390	DECAL, STARTER (CANADA) NOT SHOWN . . . . .	15	-	FS409752	FUEL LINE COMPLETE. . . .	43	-
FC510374	DECAL, CIRCUIT BREAKER - CANADA . . . . .	9	-	FS480955	STARTER COMPLETE. . . . .	15	-
FC522227	SPARK PLUG (CHAMPION QUL-77V) FOR CANADA . .	25	-	FSA335260	PISTON RINGS (3 PER SET) .010 OVERSIZE . . . . .	29	-
FC548010	SHORT BLOCK. . . . .	27	-	FT1081	SNAP RING PLIER . . . . .	50	-
FC550054	GEAR HOUSING COMPLETE	39	-	FT1082	SNAP RING PLIER . . . . .	49	-
FD368700	KEY IGNITION - STAMPED D	9	-	FT2951	CIRCUIT TRACER . . . . .	48	-
FE368700	KEY IGNITION - STAMPED E	9	-	FT2953	SOCKET . . . . .	49	-
FG1020	GASKET SET . . . . .	27	106	FT2961	LUBRICANT - RYKON #2EP	52	-
FK1063-1	SEAL KIT . . . . .	41	74	FT2962-1	SEALANT - 50 CC LOCTITE H, NON-HARDENING GRADE . . . . .	52	-
FK1069	WATER PUMP KIT . . . . .	41	75	FT2963-1	SEALANT - 2 OZ. LOCTITE D, HARDENING GRADE . .	52	-
FK405020	SWIVEL W/PIVOT SCREW AND NUT . . . . .	23	15	FT2987-1	LUBRICANT - ANTI-SEIZE . .	52	-
FK550128	DRIVESHAFT W/BEARING, SHIMS AND CRUSH RING	41	69	FT2990	PISTON PIN TOOL . . . . .	49	-
FK750-3	SPARKIE . . . . .	13	44	FT2995	BEARING CUP INSTALLER . .	50	-
FK85228-1	BEARING CAGE W/ROLLER	29	7	FT2996	RING COMPRESSOR . . . . .	49	-
FO10165	INLET SEAT GASKET . . . . .	19	75	FT3012	SEAL INSTALLER . . . . .	50	-
FO10588	BODY CHANNEL CUP PLUG	17	39	FT8901	INDICATOR HOLDER . . . . .	50	-
FO10790	INLET NEEDLE, SEAT AND GASKET . . . . .	19	76	FT8902	DIAL INDICATOR . . . . .	50	-
FO11103	IDLE SCREW SPRING . . . . .	19	53	FT8903	SEAL INSTALLER . . . . .	49	-
FO13552	FUEL BOWL . . . . .	19	67	FT8905	BEARING REMOVER . . . . .	50	-
FO13554	FLOAT . . . . .	19	69	FT8906	BEARING SUPPORT . . . . .	50	-
FO13944	FLOAT LEVER PIN . . . . .	19	68	FT8907	DRIVE HANDLE . . . . .	49	-
FO13945	FUEL BOWL RETAINING SCREW . . . . .	19	65	FT8907	DRIVER HANDLE . . . . .	50	-
FO13966	IDLE TUBE . . . . .	17	34	FT8908	SEAL INSTALLER . . . . .	50	-
FO14108	MAIN FUEL JET (.064) OPT. 1500 FT. - 3000 FT. . . . .	19	-	FT8909	BEARING CUP INSTALLER . .	50	-
FO14166	IDLE SCREW . . . . .	19	54	FT8910	BEARING CUP INSTALLER . .	50	-
FO14167	THROTTLE SHUTTER . . . . .	17	42	FT8911	DRIVESHAFT KNOCK-OFF NUT . . . . .	50	-
FO14186	MAIN FUEL JET (.060) OPT. 4500 FT. - 6000 FT. . . . .	19	-	FT8914	SEAL REMOVER . . . . .	49	-
FO14187	MAIN FUEL JET (.062) OPT. 3000 FT. - 4500 FT. . . . .	19	-	FT8915	SEAL PROTECTOR . . . . .	50	-
FO14188	MAIN FUEL JET (.066) STD. SEA LEVEL - 1500 FT. . . .	19	52	FT8916	BEARING INSTALLER . . . . .	50	-
FO14471	CHOKE SHUTTER . . . . .	19	77	FT8917	BEARING CUP REMOVER . .	50	-
FO15209	MAIN NOZZLE . . . . .	21	93	FT8918	BEARING GUIDE SET . . . . .	50	-
FO15230	THROTTLE SHAFT AND LEVER . . . . .	19	50	FT8919	SPRING PIN PUNCH . . . . .	50	-
FO15337	MAIN FUEL JET (.058) OPT. 6000 FT. & UP. . . . .	19	-	FT8920	BEARING INSTALLER . . . . .	50	-
FO15623	FUEL BOWL GASKET . . . . .	19	71	FT8922	SLIDE HAMMER . . . . .	50	-
FO16008	THROTTLE SHAFT RETURN SPRING . . . . .	19	51	FT8924-1	CHECKING GAUGE . . . . .	50	-
				FT8925	SEAL INSTALLER . . . . .	49	-
				FT8925	SEAL INSTALLER . . . . .	50	-
				FT8926	RING EXPANDER . . . . .	49	-
				FT8927	SEAL PROTECTOR . . . . .	49	-
				FT8933	LIFTING HOOK . . . . .	51	-
				FT8935	SEALANT PRIMER - 6 OZ. . .	52	-

# PARTS INDEX

Part Number	Description	Pg.	Ref. No.	Part Number	Description	Pg.	Ref. No.
FT8936	SEALANT - 2 CC LOCTITE RETAINING COMPOUND #75 .....	52	-				
FT8948-1	PULLER .....	48	-				
FT8948-1	PULLER .....	50	-				
FT8950	LEAKAGE TESTER .....	51	-				
FT8953	IGNITION TESTER .....	51	-				
FT8955	SEALANT - 5 OZ. EC-750 INDUSTRIAL SEALANT ..	52	-				
FT8957	SEAL INSTALLER .....	50	-				
FT8969	LUBRICANT - 7 OZ. 2 PSI LUBRICANT .....	52	-				
FT8978	TIMING LIGHT .....	48	-				
FT8993	SEALANT - 3 OZ. RTV SEALANT FROM IN PLACE GASKETS .....	52	-				
FTA2937-1	TIMING TOOL .....	48	-				
FTA8981	SPACER KIT .....	49	-				
FTA8991	TEST WHEEL .....	51	-				
OB3061	LITERATURE INSTALLATION INSTRUCTIONS FOR REMOTE CONTROL ....	47	-				
T11211	BOAT WHITE .....	53	-				
T11212	BOAT BLACK .....	53	-				
T11230	ORANGE .....	53	-				
T11233	MEDIUM METALLIC SILVER	53	-				
T11236	METALLIC SILVER .....	53	-				
22-817789A1	DRAIN FITTING .....	19	64				
22-818103--1	ELBOW .....	19	61				
31-817785A2	CRANKSHAFT BEARING CAGE W/SEAL .....	29	18				
32-817738A1	FUEL LINE LONG W/CLAMP AND FERRULE .....	43	10				
33-97180	SPARK PLUG (CHAMPION L- 20-V) .....	25	65				
37-819450	DECAL, REVERSE LOCK - CANADA .....	33	-				
39-818110A1	PISTON RINGS (3 PER SET) .030 OVERSIZE .....	29	-				
46-817853A1	WATER PUMP .....	41	-				
46-817853A1	WATER PUMP BODY W/DRIVESHAFT SEAL, DISC AND WATER LINE SEAL .....	39	60				
84-817775A1	COIL WIRE W/TERMINAL CLIP - USA .....	11	29				
87-817778A1	THERMOSWITCH .....	27	88				
300-817855A1	UNIT .....	9	45				
600-818052A4	CONNECTING ROD W/CAP AND SCREWS. ....	29	6				
700-817988A2	PISTON .010 OVERSIZE ...	29	-				
700-818111A2	PISTON .030 OVERSIZE ...	29	-				
700-F372015-3	PISTON (STANDARD) .....	29	2				
1400-817958A6	STERN BRACKET .....	31	19				