



# PARTS CATALOG

## 70 HP SKIER

SERIAL NUMBER

70 (1980) ..... 700H0AN

# TABLE OF CONTENTS:

ACCESSORIES .....	52
CARBURETOR .....	14
CRANKSHAFT AND PISTON GROUP .....	26
DISTRIBUTOR .....	8
ELECTRIC STARTER .....	12
ELECTRICAL COMPONENTS .....	4
ENGINE COVER AND SUPPORT PLATE .....	2
FUEL TANK AND LINE .....	40
GEAR HOUSING .....	34
MOTOR LEG .....	28
PARTS INDEX .....	56
POWER HEAD .....	20
REMOTE CONTROL .....	42
SPECIAL TOOLS - GEAR HOUSING .....	48
SPECIAL TOOLS - LUBRICANTS AND SEALANTS .....	50
SPECIAL TOOLS - POWER HEAD .....	47
SPECIAL TOOLS - REPAIR DECALS - ENGINE COVERS .....	51
SPECIAL TOOLS - TEST EQUIPMENT .....	49
SPECIAL TOOLS - TUNE-UP .....	46

**NOTE:** Indented description indicate that these parts are included in preceeding assembly.

**AR** = As Required

**NSS** = Not Sold Separate

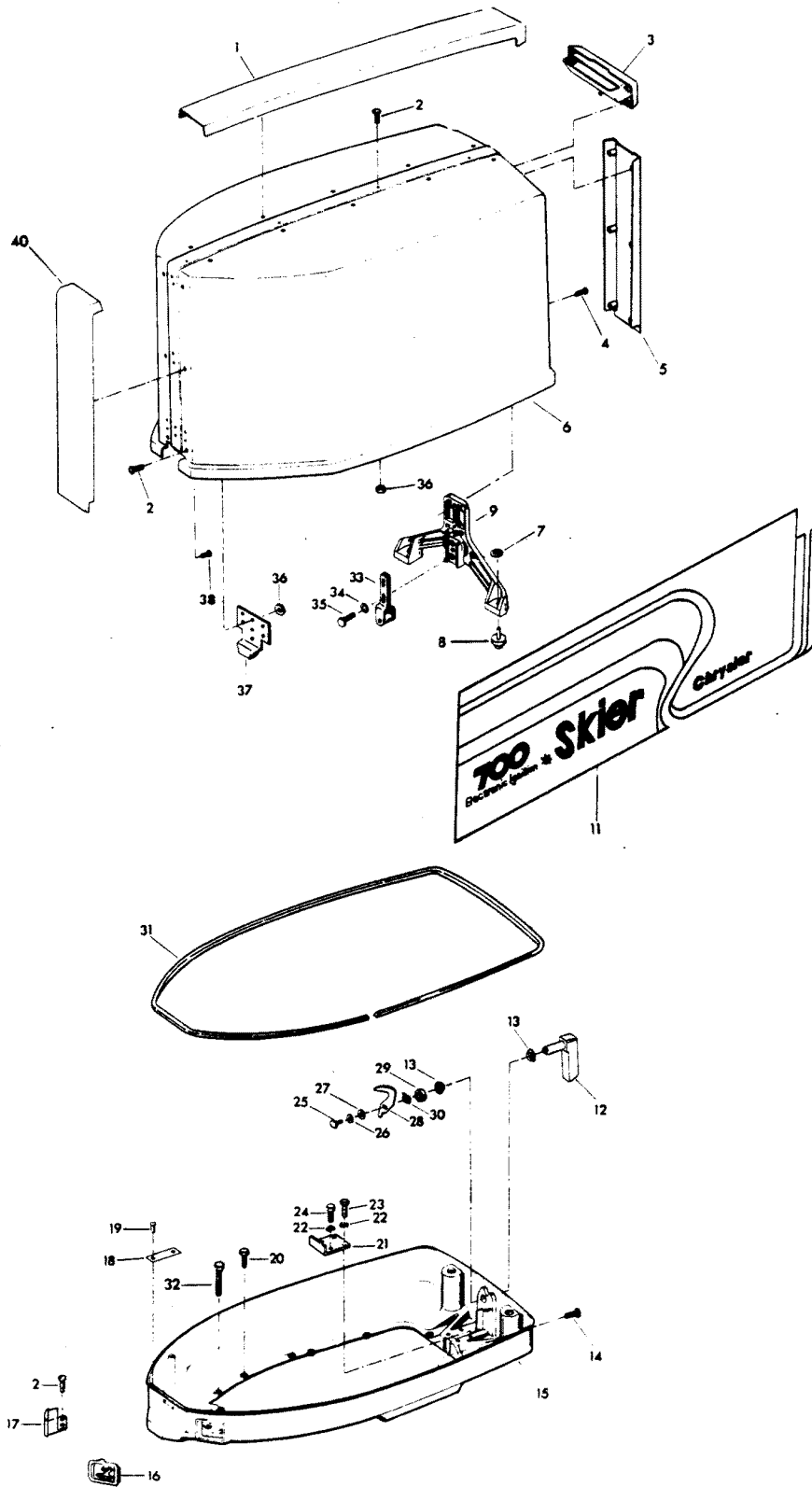
**OPT** = Optional

**NS** = Not Shown

**THESE PARTS BOOKS/FICHE CARD ARE COPYRIGHTED AND MAY NOT BE DISTRIBUTED OR REPRODUCED IN ANY OTHER FORMAT BY ANYONE OTHER THAN MERCURY MARINE WITHOUT THE PRIOR WRITTEN CONSENT OF MERCURY MARINE.**

THIS PAGE INTENTIONALLY LEFT BLANK

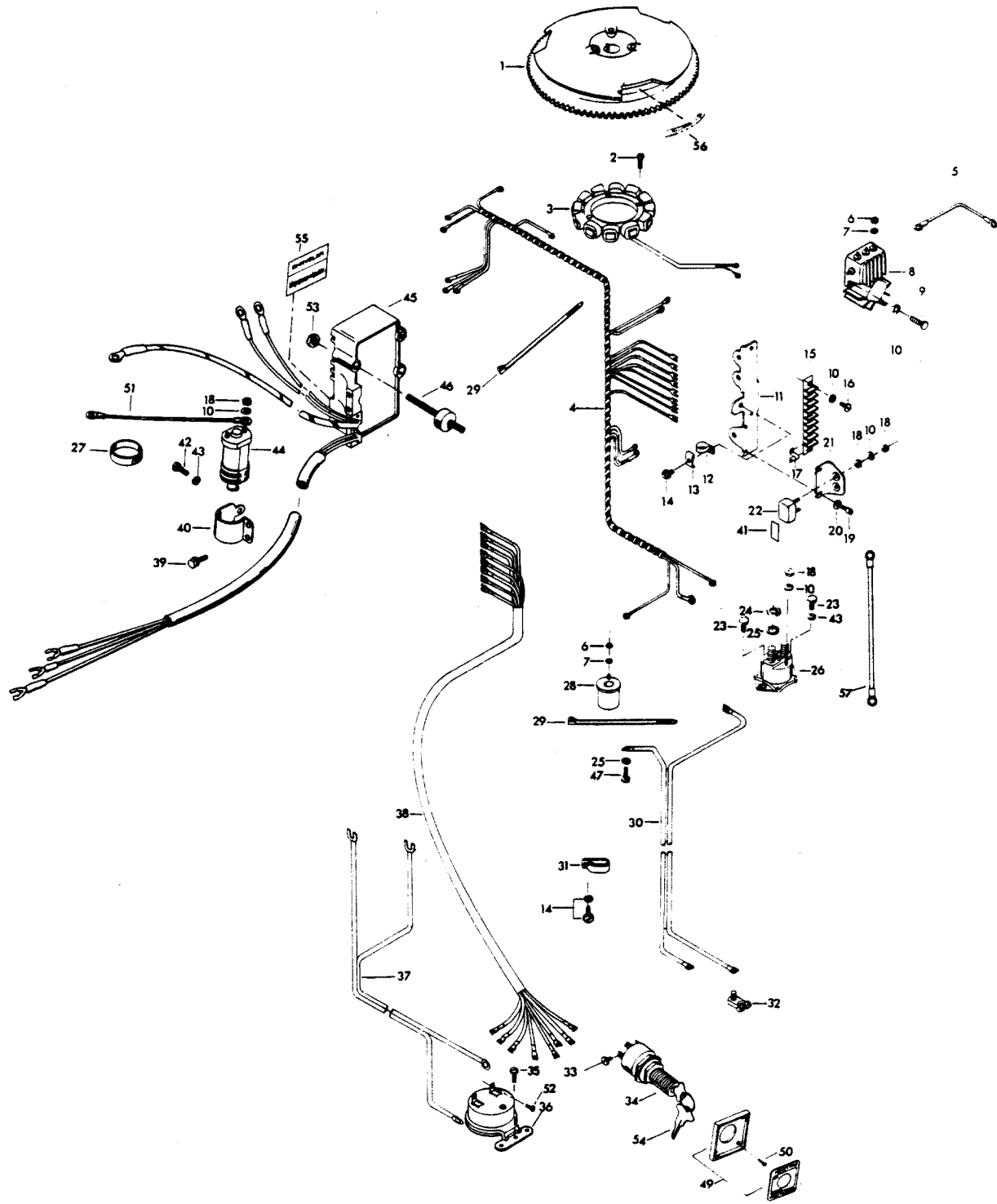
# ENGINE COVER AND SUPPORT PLATE



# ENGINE COVER AND SUPPORT PLATE

REF. NO.	PART NO.	SYM.	QTY.	DESCRIPTION
1	FA480179		1	TRIM, TOP W/LITERATURE
2	F1733		10	SCREW, PAN HD, 10 - 24 X 9/16
3	FA480269		1	HANDLE, TILT W/LITERATURE
4	F1730		3	SCREW, PAN HD W/SPRING LOCKWASHER, 1/4 - 20 X 5/8
5	FA548180		1	TRIM, REAR W/LITERATURE
6	FA549944		1	COVER, ENGINE W/RETAINER
-	<b>3C548944</b>		<b>1</b>	<b>COVER, ENGINE - COMPLETE INCLUDES ITEMS MARKED WITH AN ASTERISK (*)</b>
7	F2088		2	FASTENER
8	F481434		2	GUIDE, ENGINE COVER
9	F481774		1	BRACKET, ENGINE COVER LATCH
11	FA548397		1	DECAL, ENGINE COVER - PORT W/LITERATURE
-	<b>FA548396</b>		<b>1</b>	<b>DECAL, ENGINE COVER - STARBOARD W/LITERATURE</b>
12	FA481469		1	LATCH HANDLE, ENGINE COVER W/SHAFT
13	F480818		2	BEARING, LATCH SHAFT
14	F1238		6	HEX CAP SCREW, 1/4 - 20 X 3/4
15	F480038-2		1	PLATE, SUPPORT
16	F549189		1	BUSHING, ELECTRIC CABLE
17	F545189		1	BUSHING, CABLE ENTRY
18	FA538395		1	IDENTIFICATION PLATE, W/SCREWS
19	F1447		2	ROUND HD SCREW, 2 X 3/16
20	F1502		5	HEX SLOT HD SCREW, 1/4 - 20 X 5/8
21	F335654-1		1	STOP, DEFLECTION
22	F8096		4	LOCKWASHER
23	F1857		2	HEX CAP SCREW, 5/16 - 18 X 5/8
24	F1858		2	HEX CAP SCREW, 5/16 - 18 X 1
25	F1854		1	HEX CAP SCREW, 1/4 - 20 X 5/8
26	F8083		1	LOCKWASHER
27	F8094		1	WASHER; PLAIN
28	F481777		1	CAM, LATCH SHAFT
29	F481382-1		1	SPACER, LATCH SHAFT
30	F2047		1	WAVE WASHER
31	F321756		1	PACKING
32	F1849		2	HEX HD CAP SCREW, 1/4 - 20 X 1 3/8
33	FA481743		1	LATCH, ROLLER BRACKET W/ROLLER
34	F8096		2	LOCKWASHER
35	F1857		2	HEX CAPSCREW, 5/16 - 18 X 5/8
36	F1473		7	HEX NUT, 10 - 24
37	F373778-1		1	RETAINER, ENGINE COVER
38	F2066		26	PAN HEAD TAPPING SCREW, 10 X 7/16
39	FA548888		1	TRIM, FRONT W/LITERATURE
-	<b>F548984</b>		<b>1</b>	<b>BLANKET, SILENCER - TOP (NOT SHOWN)</b>
-	<b>F548985</b>		<b>2</b>	<b>BLANKET, SILENCER - SIDE (NOT SHOWN)</b>

# ELECTRICAL COMPONENTS

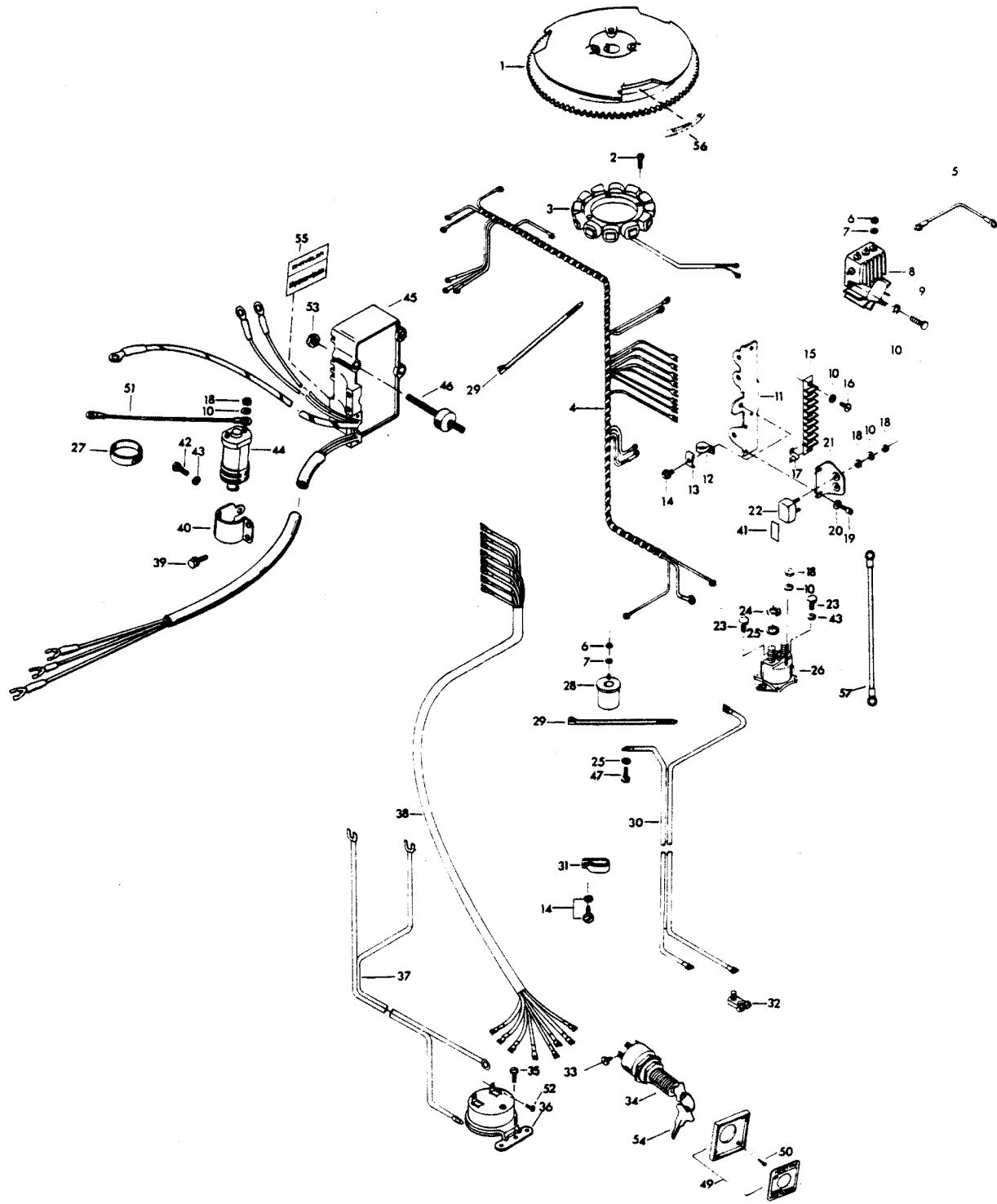


# ELECTRICAL COMPONENTS

REF. NO.	PART NO.	SYM.	QTY.	DESCRIPTION
1	F404097		1	FLYWHEEL
2	F1678		6	FILL HD SCREW, 10 - 24 X 13/16
3	F85095-2		1	STATOR
4	F438744-1		1	WIRING HARNESS
5	F345683		1	WIRE, REGULATOR-RECTIFIER GROUND
6	F1647		5	HEX NUT, 8 - 32
7	F8056		5	SPRING LOCKWASHER
8	F404470-1		1	REGULATOR-RECTIFIER
9	F2001		3	FILL HD SCREW, 10 - 24 X 5/8
10	F1975		11	SPRING LOCKWASHER
11	FA438493		1	TERMINAL BLOCK BRACKET <b>WILLUSTRATION 13, 14 AND ON PAGE 14, ILLUSTRATION 6</b>
12	F289446-1		1	CLAMP
13	F438668		1	RETAINER, CABLE CLAMP
14	F1734		2	FILL HD SCREW W/LOCKWASHER, 1/4 - 20 X 1/2
15	FA510497		1	TERMINAL BLOCK <b>WILLUSTRATION 16 ORIGINAL FORCE P/N K 289497-2</b>
16	F1648		2	PAN HD SCREW, 10 - 24 X 3/4
17	F307317		1	CLIP, TERMINAL BLOCK
18	F1513		8	HEX NUT
19	F1760		2	PAN HD SCREW, 10 - 24 X 3/8
20	F8011		2	PLAIN WASHER
21	F91446-1		1	CIRCUIT BREAKER BRACKET
22	F510460		1	CIRCUIT BREAKER
23	F1705		2	HEX CAP SCREW, 1/4 - 20 X 3/4
24	F1515		2	HEX NUT
25	F8096		3	SPRING LOCKWASHER
26	F460917		1	STARTER RELAY
27	F391983		2	RETAINING BAND
28	F85924		1	CHOKE SOLENOID
29	F1877		2	TY-RAP
30	F381896-4		1	BATTERY CABLE
31	F407446		1	CLAMP
32	F5H041		1	BATTERY CABLE CLAMP KIT. (ACCESSORY ITEM)
33	F1280		5	PAN HD SCREW, 8 - 32 X 1/4
34	F5H078		1	IGNITION SWITCH (LONG BARREL) W/KEYS AND SCREWS <b>(ACCESSORY ITEMS)</b>
35	F1741		2	PAN HD SCREW, 8 X 3/4
36	F5H043		1	OVERHEAT BUZZER (ACCESSORY ITEM)
37	F404841		1	CABLE, HEAT INDICATOR
38	F85843-1		1	REMOTE ELECTRIC CABLE, 18 FEET
39	F1851		2	FILL HD SCREW W/LOCKWASHER, 10 - 24 X 1/2
40	F404513		1	COIL CLAMP
41	F510374		1	DECAL, CIRCUIT BREAKER - USA

CONTINUED ON NEXT PAGE ➡

# ELECTRICAL COMPONENTS

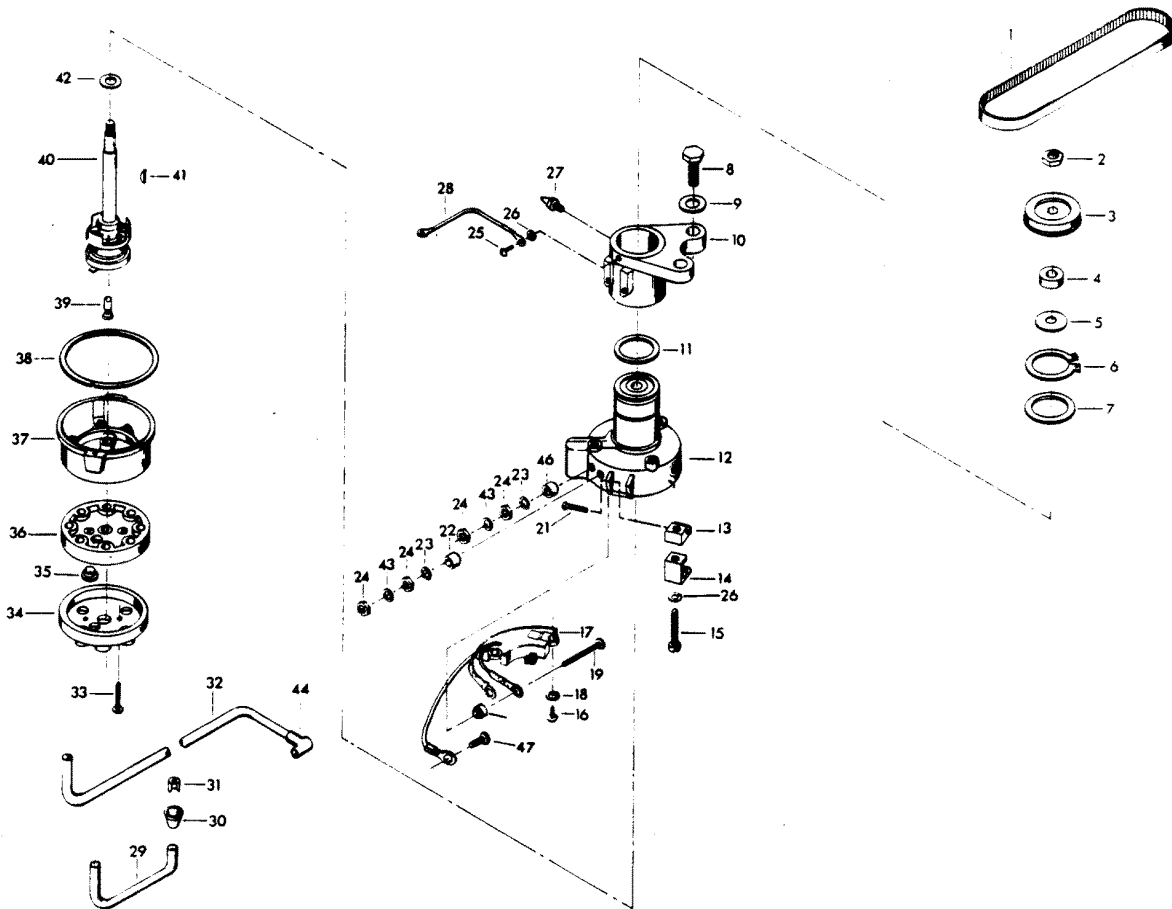




# ELECTRICAL COMPONENTS

REF. NO.	PART NO.	SYM.	QTY.	DESCRIPTION
-	<b>FC510374</b>		1	<b>DECAL, CIRCUIT BREAKER - CANADA</b>
42	F1689		1	HEX HD CAP SCREW, 1/4 - 20 X 1/2
43	F8083		2	SPRING LOCKWASHER
44	F345475-1		1	COIL
45	300-817855A1		1	UNIT (ORIGINAL FORCE P/N A 523301-1)(Does not include Coil & Clamp)
46	F523962		3	SHOCK MOUNT - C.D. UNIT
47	F2000		1	HEX CAP SCREW, 5/16 - 18 X 3/4
49	F5H038		1	IGNITION SWITCH MOUNTING KIT (ACCESSORY ITEM)
-	<b>817892--1</b>		1	<b>IGNITION SWITCH PLATE - CANADA (NOT SHOWN)</b>
-	<b>F235785</b>		1	<b>DECAL, COMPLIANCE - CANADA (NOT SHOWN)</b>
50	F1934		4	FLAT HD SLOTTED SCREW, 6 X 1/2
51	F85664		1	WIRE, DISTRIBUTOR GROUND
52	F1645		2	RD HD SCREW, 6 - 32 X 1/4
53	F1892		3	STOP NUT
54	FA368700		-	KEY, IGNITION - NO LETTER OR STAMPED A
-	<b>FB368700</b>		-	<b>KEY IGNITION - STAMPED B</b>
-	<b>FC368700</b>		-	<b>KEY IGNITION - STAMPED C</b>
-	<b>FD368700</b>		-	<b>KEY IGNITION - STAMPED D</b>
-	<b>FE368700</b>		-	<b>KEY IGNITION - STAMPED E</b>
55	480373		1	DECAL, MAGNAPOWER IGNITION
56	F474387		1	TIMING DECAL - USA
-	<b>FC474387</b>		1	<b>TIMING DECAL - CANADA</b>
57	F319908		1	WIRE, GROUND - CANADA

# DISTRIBUTOR

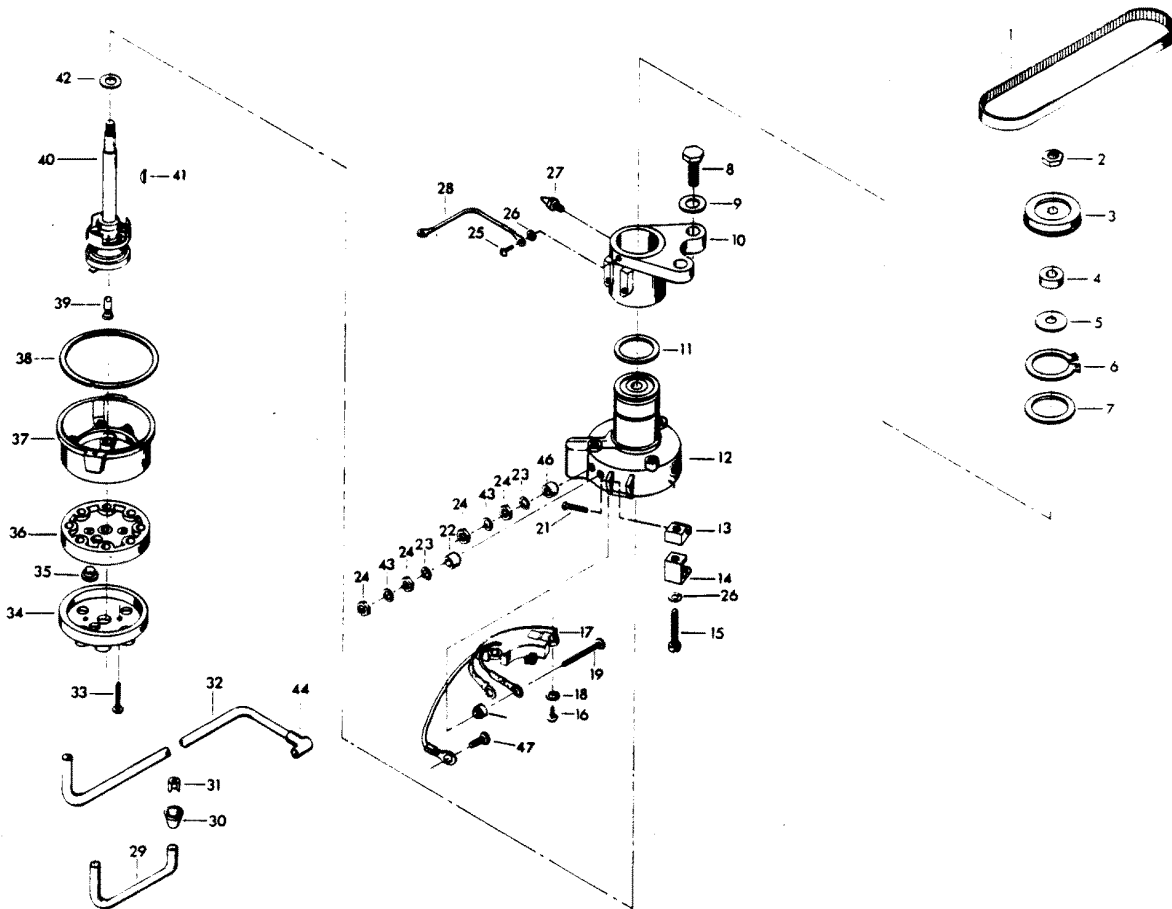


# DISTRIBUTOR

REF. NO.	PART NO.	SYM.	QTY.	DESCRIPTION
1	F85311		1	DISTRIBUTOR BELT
2	F7013		1	STOP NUT
3	817786A1		1	DISTRIBUTOR PULLEY W/STOP NUT & WASHER
4	F14025		1	SPACER
5	F14028		1	THRUST WASHER
6	F85173		1	RETAINING RING
7	F14029		1	THRUST WASHER
8	F1612		2	HEX CAP SCREW, 3/8 - 16 X 1 1/4
9	F1778		2	PLAIN WASHER
10	FA321574		1	DISTRIBUTOR BRACKET
11	F1759		2	SHIM, DISTRIBUTOR (QTY. AS REQUIRED)
12	F14042		2	DISTRIBUTOR HOUSING W/BEARINGS
-	<b>817822A1</b>		<b>1</b>	<b>DISTRIBUTOR, COMPLETE. INCLUDES ALL ITEMS MARKED WITH AN ASTERISK (*). ORIGINAL FORCE P/N A 480309-1</b>
13	F14036		2	SWIVEL
14	F14037		2	CAP CLIPS
15	F14038		2	CAP CLIP SCREWS
16	F14045		1	SCREW
17	FA14048-2		1	PREAMPLIFIER
18	F8056		2	LOCKWASHER
19	F14046		2	TERMINAL SCREW
20	F14047		2	TERMINAL INSULATOR (INSIDE)
21	F14015		2	CAP CLIP RIVET
22	F14049		1	TERMINAL INSULATOR (OUTSIDE)
23	F14041		2	EXTERNAL TOOTH LOCKWASHER
24	F1647		4	HEX NUT, 8 - 32
25	F1760		2	PAN HD SCREW, 10 - 24 X 3/8
26	F1975		2	SPRING LOCKWASHER
27	F213274		1	GREASE FITTING
28	F85664		1	DISTRIBUTOR GROUND
29	84-817775A1		1	COIL WIRE W/TERMINAL CLIP - USA
-	<b>F438905</b>		<b>1</b>	<b>COIL WIRE - CANADA</b>
30	F203276		1	BOOT
31	F203673		1	TERMINAL CLIP
32	F321841-3		3	LEAD WIRE
-	<b>F438841-1</b>		<b>3</b>	<b>LEAD WIRE - CANADA</b>
33	F14007		2	CAP SCREW
34	F14011-1		1	CAP COVER
35	F14040		2	VENT
36	F14020-1		1	CAP SEAL
37	F14006-2		1	CAP BASE
38	F14030		1	CAP GASKET
39	F14012-1		1	BRUSH

CONTINUED ON NEXT PAGE ➡

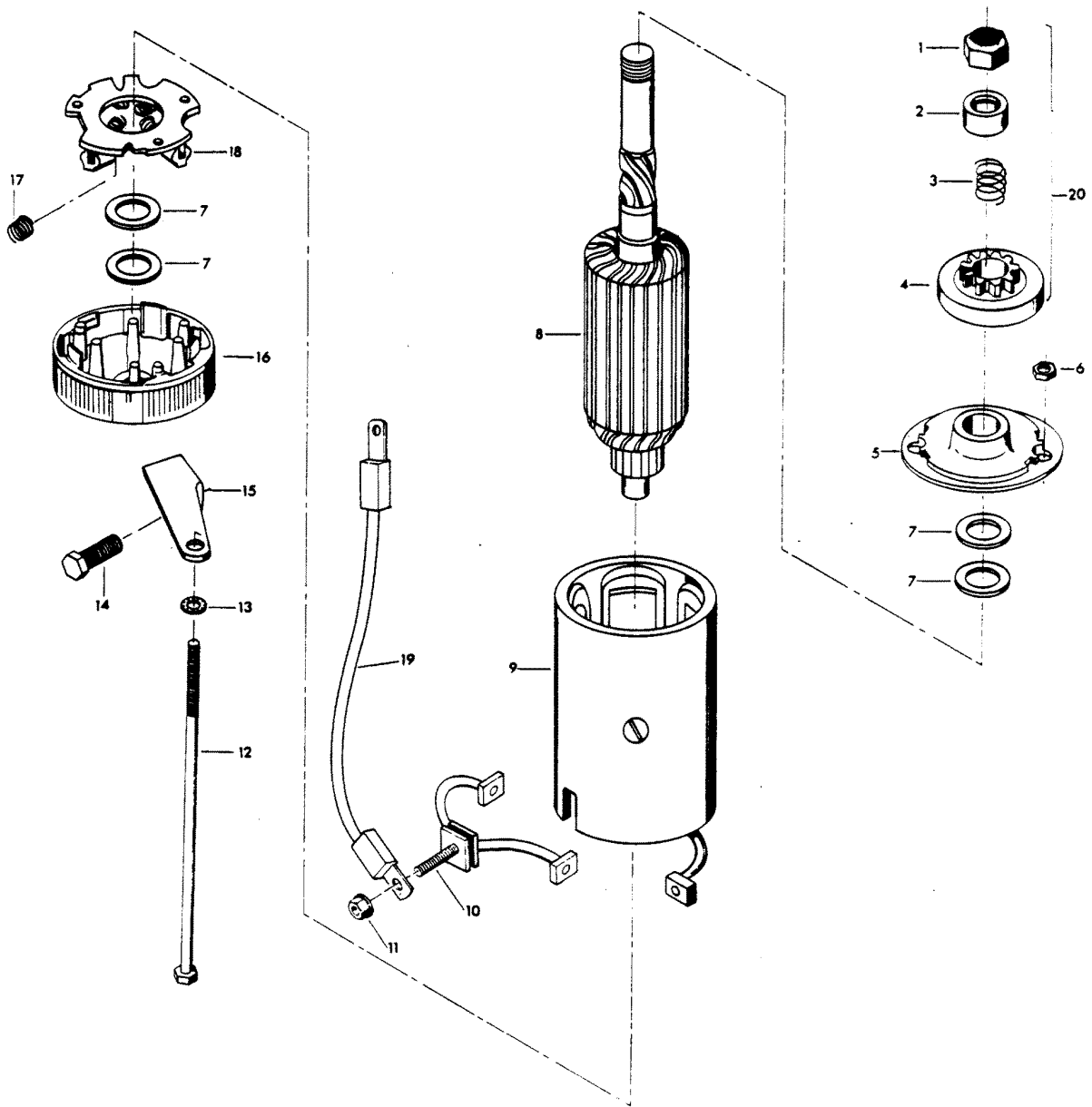
# DISTRIBUTOR



# DISTRIBUTOR

REF. NO.	PART NO.	SYM.	QTY.	DESCRIPTION
40	F14043		1	DISTRIBUTOR SHAFT
41	F1692		1	WOODRUFF KEY
42	F14024		1	SPACER
43	F8056		2	LOCKWASHER
44	FK750-3		3	SPARKIE
46	F14017		1	TERMINAL INSULATOR (OUTSIDE)
47	F14056		1	SCREW
-	<b>481373-1</b>		<b>1</b>	<b>DECAL, "ELECTRONIC" (NOT SHOWN)</b>

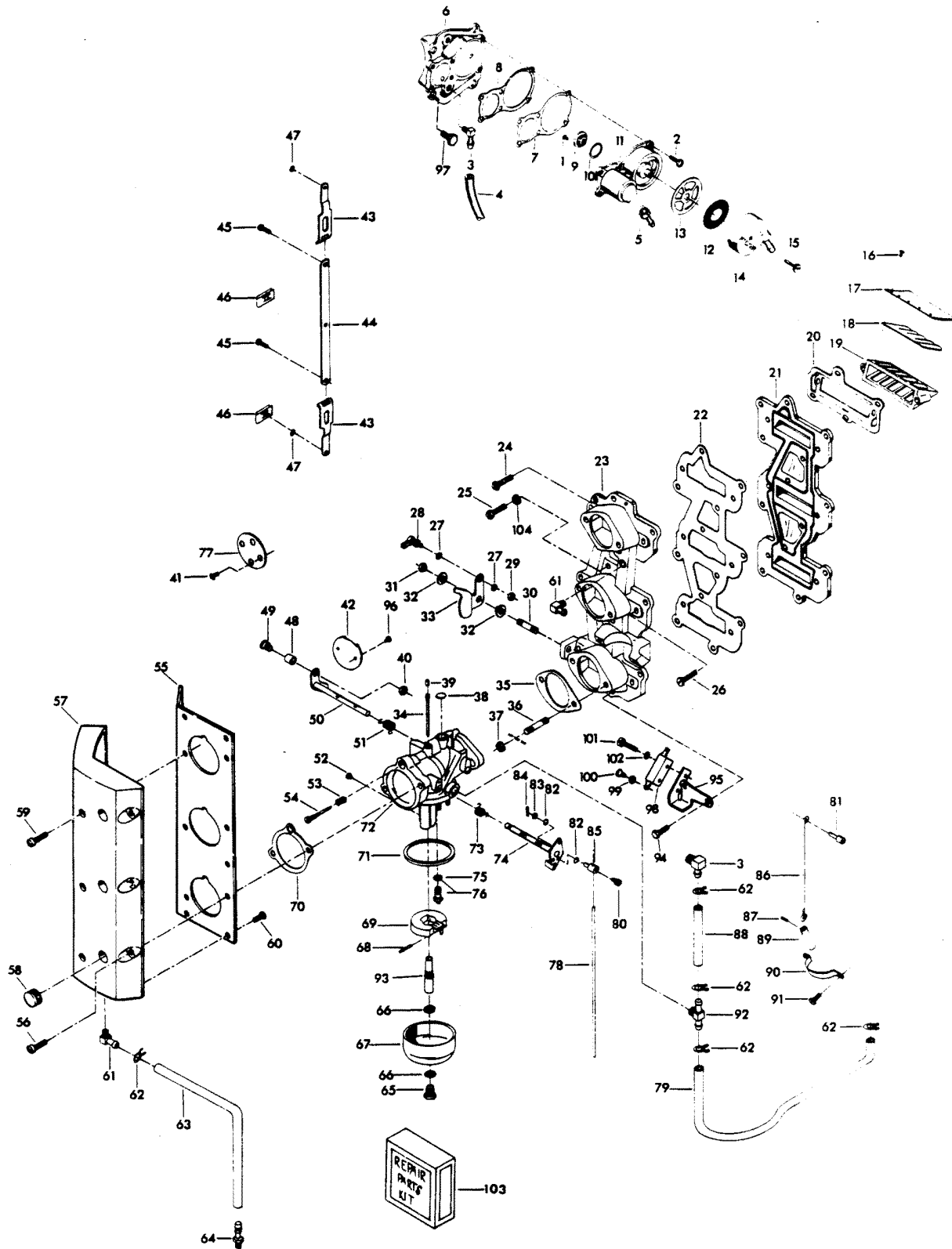
# ELECTRIC STARTER



# ELECTRIC STARTER

REF. NO.	PART NO.	SYM.	QTY.	DESCRIPTION
1	F15111		1	NUT, STOP RETAINING
2	F15112		1	STOP, PINION
3	F15080		1	SPRING
4	F15110		1	CLUTCH ASSEMBLY
5	F15167		1	HEAD ASSEMBLY DRIVE END
6	F1641		2	LOCK NUT
7	F15126		1	THRUST WASHER PACKAGE
8	F15099		1	ARMATURE
9	15169		1	FRAME AND FIELD ASSEMBLY
10	F15165		1	BRUSH TERMINAL SET
11	FA15072		1	HEX LOCK NUT, 1/4 - 20
12	F15168		1	THRU BOLT PACKAGE
13	F8028		2	PLAIN WASHER
14	F1502		1	HEX HD SCREW, 1/4 - 20 X 5/8
15	F511675		1	STARTER BRACKET, LOWER
16	F15125		1	HEAD ASSEMBLY, COMMUTATOR END
17	F15034		1	SPRING SET
18	F15057		1	BRUSH PLATE AND HOLDER
19	F85908		1	STARTER LEAD WIRE
20	F15100		1	BENDIX
-	<b>FS480955</b>		<b>1</b>	<b>STARTER COMPLETE. INCLUDES ALL ITEMS MARKED WITH AN ASTERISK (*).</b>
-	<b>FC499390</b>		<b>1</b>	<b>DECAL, STARTER (CANADA) NOT SHOWN</b>

# CARBURETOR



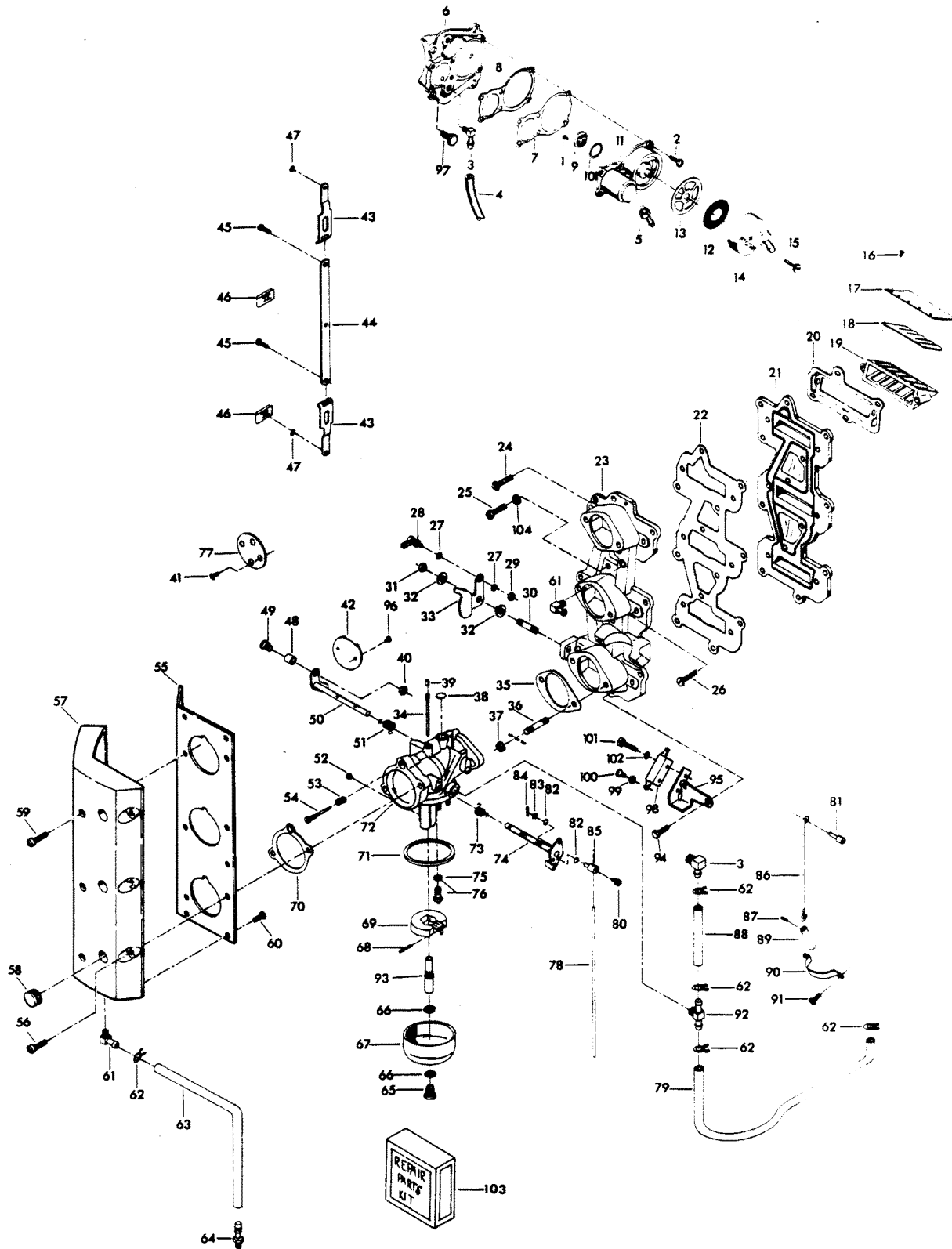


# CARBURETOR

REF. NO.	PART NO.	SYM.	QTY.	DESCRIPTION
1	F1860		2	SLOTTED BINDING HD SCREW, 6 - 32 X 1/4
2	F1108		6	FILL HD SCREW W/LOCKWASHER, 1/4 - 20 X 3/4
3	F84314-2		2	ELBOW
4	F89758		1	FUEL PUMP AIR HOSE, TOP
5	F438801		1	FITTING
6	FA439746		1	FUEL PUMP COVER W/PLUG
7	F438747		1	FUEL PUMP DIAPHRAGM
8	F438760		1	FUEL PUMP GASKET
9	F177330		3	FUEL PUMP VALVE
10	F84792		1	GASKET, FUEL PUMP VALVE
11	FA438431		1	FUEL PUMP BODY W/VALVES
12	F438653		1	FUEL SEDIMENT BOWL SCREEN
13	F438617		1	FUEL SEDIMENT BOWL GASKET
14	F438500		1	FUEL SEDIMENT BOWL
15	F438165		1	SCREW, FUEL PUMP BOWL
16	F1755		30	RD HD SCREW W/LOCKWASHER, 6 - 32 X 5/16
17	F85161-1		6	REED STOP
18	F530160		6	REED (5 PETAL)
19	F2A321158		3	REED PLATE W/REEDS, REED STOP AND SCREW
20	F85168		3	GASKET REED PLATE ADAPTER
21	F85162		1	REED PLATE ADAPTER
22	F85159		1	GASKET, INTAKE MANIFOLD
23	817959A3		1	INTAKE MANIFOLD W/PLUG
24	F1915		8	HEX HD SCREW, 1/4 - 20 X 7/8
25	F1916		2	HEX HD SCREW, 1/4 - 20 X 1 1/8
26	F1773		6	HEX HD SCREW, 1/4 - 20 X 1 1/2
27	F8058		2	INTERNAL TOOTH LOCKWASHER
28	817747--1		1	BALL JOINT W/STUD
29	F1513		1	HEX NUT, 10 - 32
30	F433209-1		1	STUD
31	F1910		1	STOP NUT, 1/4 - 20
32	F269319		2	BEARING
33	F85192-1		1	THROTTLE CAM
34	FO13966		1	IDLE TUBE
35	F85906		3	CARBURETOR GASKET
36	F40209		6	CARBURETOR STUD
37	F1515		6	HEX NUT, 5/16 - 18
38	FO4326		1	BODY CHANNEL WELCH PLUG
39	FO10588		1	BODY CHANNEL CUP PLUG
40	F1997		1	STOP NUT, 8 - 32
41	FO8942		2	SHUTTER SCREW W/LOCKWASHER
42	FO14167		1	THROTTLE SHUTTER
43	FA85193		2	TIE BAR END W/SWIVEL

CONTINUED ON NEXT PAGE ➡

# CARBURETOR

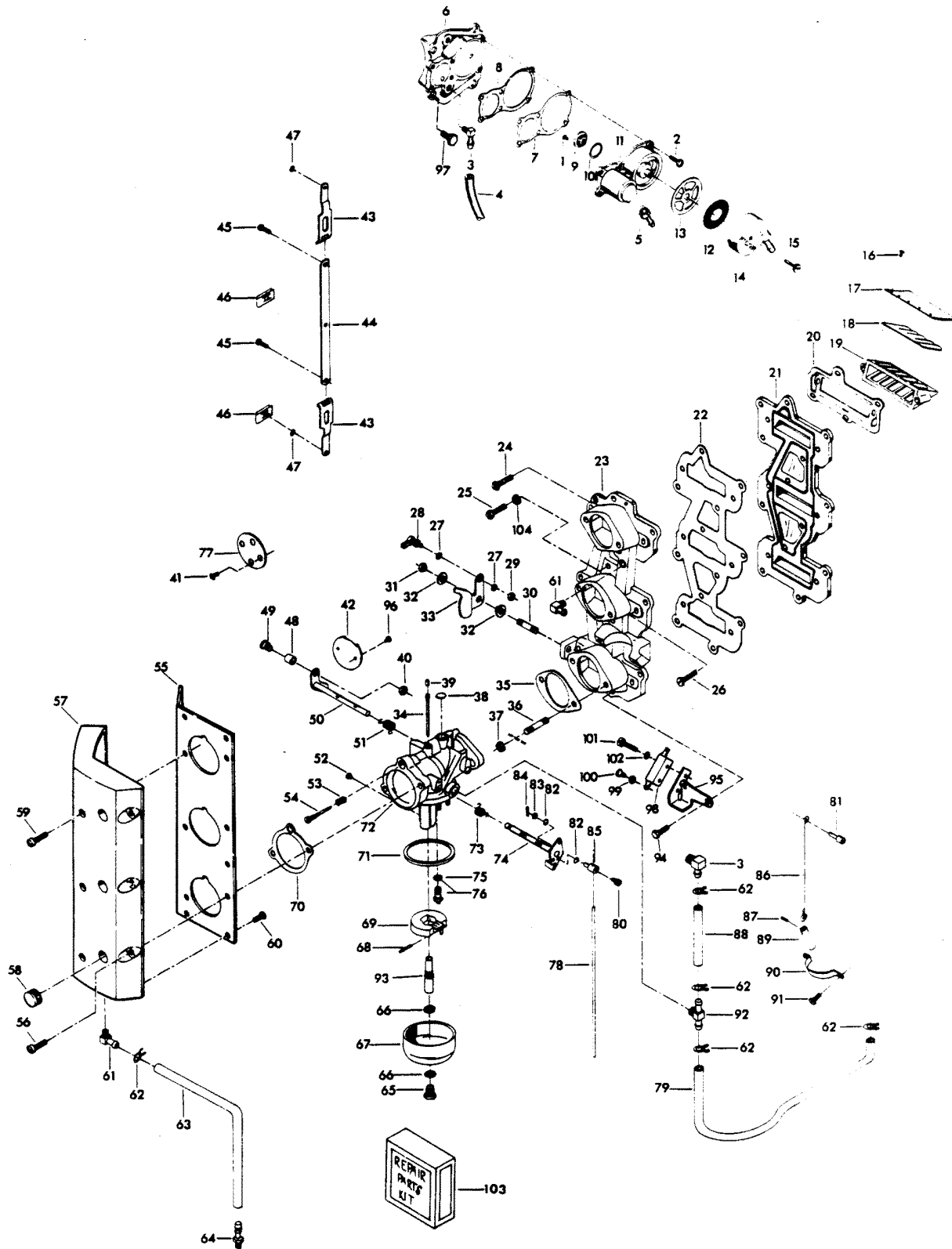


# CARBURETOR

REF. NO.	PART NO.	SYM.	QTY.	DESCRIPTION
44	FA85511		1	THROTTLE TIE BAR W/SWIVEL
45	F1064		2	FILL HD SCREW, S.S., 8 - 32 X 3/8
46	F1693		2	TIE BAR RETAINER
47	F90807		3	RETAINING RING
48	F92759		1	THROTTLE ROLLER
49	F333316		1	THROTTLE ROLLER SHAFT
50	FO15230		1	THROTTLE SHAFT AND LEVER
51	FO16008		1	THROTTLE SHAFT RETURN SPRING
52	FO14187		1	MAIN FUEL JET (.062) STD. SEA LEVEL - 1500 FT.
-	<b>FO14186</b>		-	<b>MAIN FUEL JET (.060) OPT. 1500 FT. - 3000 FT.</b>
-	<b>FO15337</b>		-	<b>MAIN FUEL JET (.058) OPT. 3000 FT. - 4500 FT.</b>
-	<b>FO15338</b>		-	<b>MAIN FUEL JET (.056) OPT. 4500 FT. - 6000 FT.</b>
-	<b>FO15339</b>		-	<b>MAIN FUEL JET (.054) OPT. 6000 FT. &amp; UP. OPTIONAL SIZE MAIN FUEL JETS (USE ONLY AT ALTITUDES INDICATED)</b>
53	FO11103		1	IDLE SCREW SPRING
54	FO14166		1	IDLE SCREW
55	F481567		1	CARBURETOR INTAKE ADAPTER
56	F1504		3	FILL HD SCREW, 1/4 - 20 X 1 1/4
57	F481860-1		1	CARBURETOR, INTAKE
58	F53504		3	GROMMET
59	F1072		3	FILL HD SCREW, 1/4 - 20 X 1 3/4
60	F1760		6	PAN HD SCREW, 10 - 24 X 3/8
61	22-818103--1		2	ELBOW
62	F97772		6	HOSE CLAMP
63	F63754		1	HOSE INTAKE DRAIN
64	22-817789A1		1	DRAIN FITTING
65	FO13945		1	FUEL BOWL RETAINING SCREW
66	FO2510		2	GASKET, FUEL BOWL RETAINING SCREW
67	FO13552		1	FUEL BOWL
68	FO13944		1	FLOAT LEVER PIN
69	FO13554		1	FLOAT
70	F481836		3	INTAKE GASKET
71	FO15623		1	FUEL BOWL GASKET
72	F549061		1	CARBURETOR COMPLETE (WB26B)
73	FO16397		1	CHOKE SHAFT RETURN SPRING
74	FO16850		1	CHOKE SHAFT AND LEVER
75	FO10165		1	INLET SEAT GASKET
76	FO10790		1	INLET NEEDLE, SEAT AND GASKET
77	FO14471		1	CHOKE SHUTTER
78	F85509-1		1	CHOKE LINK
79	F438754		1	FUEL LINE
80	F1059		3	FILL HD SCREW, S.S., 6 - 32 X 1/4
81	F85033		1	CHOKE ROD SWIVEL

CONTINUED ON NEXT PAGE ➡

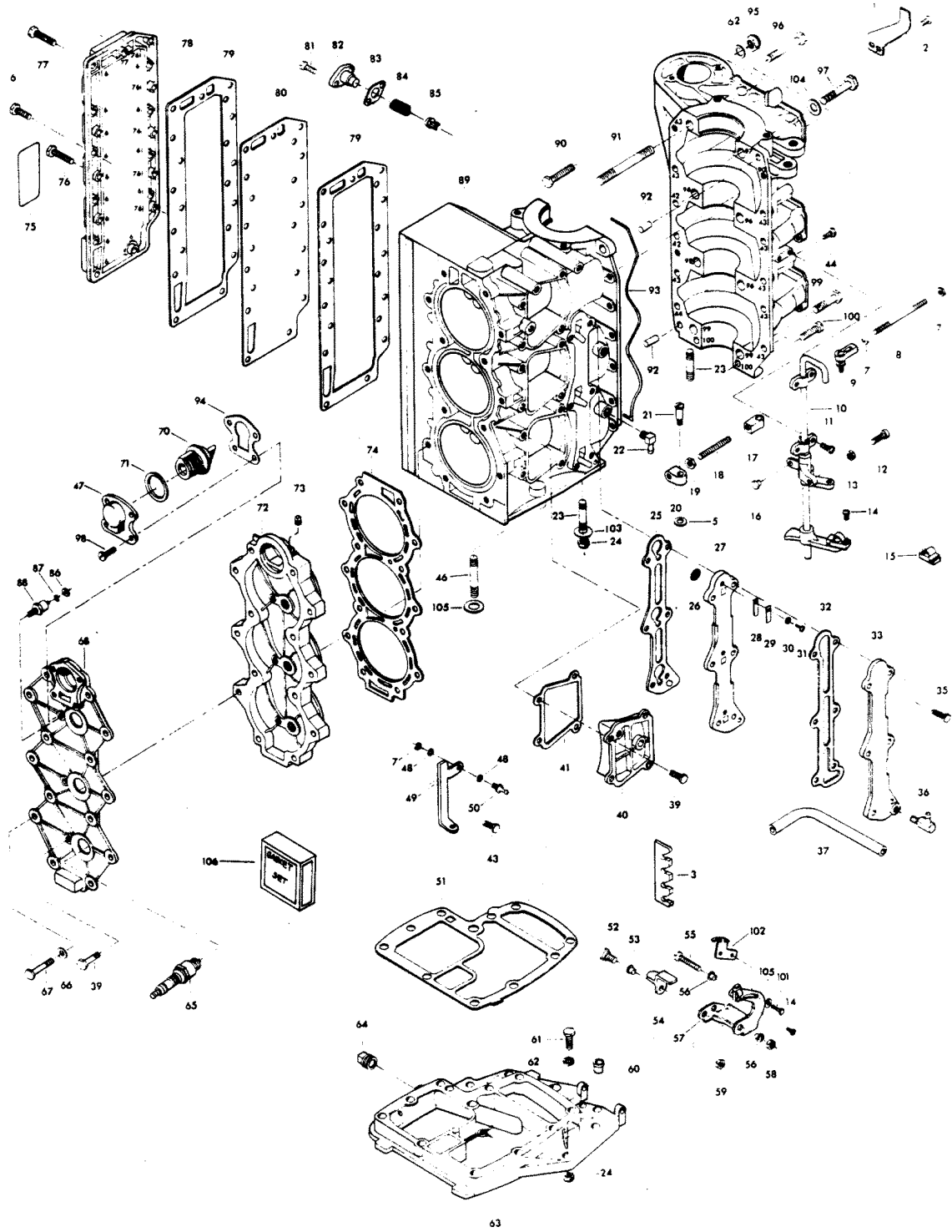
# CARBURETOR



# CARBURETOR

REF. NO.	PART NO.	SYM.	QTY.	DESCRIPTION
82	F184579		6	SEAL, CHOKE ARM SWIVEL
83	F8088		3	PLAIN WASHER
84	F1014		3	COTTER PIN
85	F184033-1		2	CHOKE ARM SWIVEL
86	F85925		1	CHOKE ROD
87	F2033		1	GROOVE PIN
88	F85253-1		2	FUEL LINE
89	F391926-1		1	CHOKE SOLENOID PLUNGER
90	F85317-1		1	CLAMP
91	F1236		2	HEX HD SCREW, 1/4 - 20 X 1/2
92	F85314-1		2	FUEL FITTING
93	FO15209		1	MAIN NOZZLE
94	F1953		2	HEX HD SCREW, 1/4 - 20 X 1
95	F480551-1		1	BRACKET INTERLOCK SWITCH
96	FO8942		2	THROTTLE SHUTTER SCREW AND LOCKWASHER
97	F1502		4	HEX CAP SCREW, 1/4 - 20 X 5/8
98	F84449		1	INTERLOCK SWITCH
99	F1704		2	INTERNAL TOOTH LOCKWASHER
100	F1645		2	RD HD SCREW, 6 - 32 X 1/4
101	F2016		2	FILL HD SCREW, 6 - 32 X 7/8
102	F8088		2	PLAIN WASHER
-	<b>F10000</b>		<b>1</b>	<b>GASKET SET (NOT SHOWN)</b>
103	F10055		1	REPAIR PARTS KIT. INCLUDES ALL ITEMS MARKED WITH AN ASTERISK (*).
104	F8026		1	PLAIN WASHER

# POWER HEAD

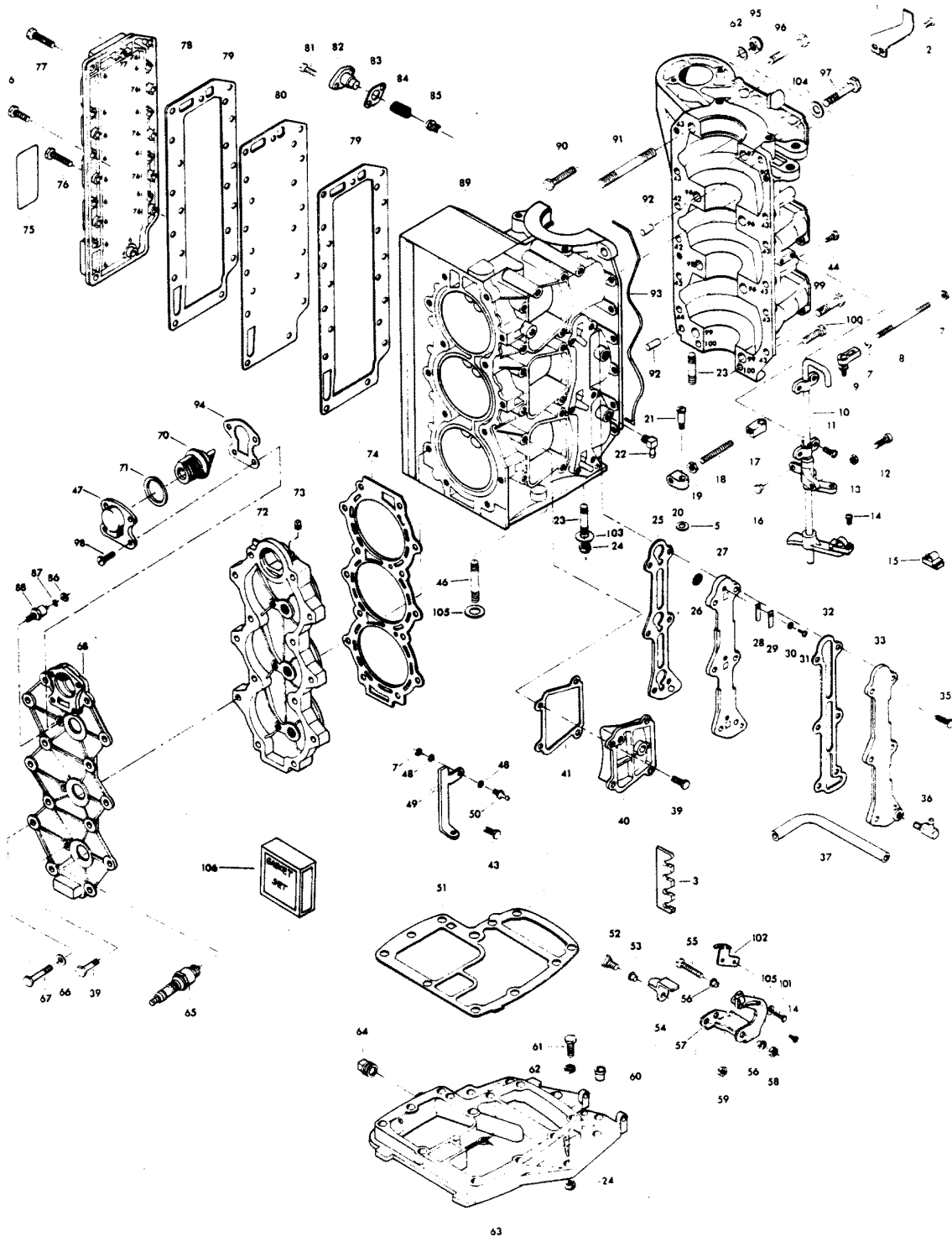


# POWER HEAD

REF. NO.	PART NO.	SYM.	QTY.	DESCRIPTION
1	FA480894		1	TIMING POINTER
2	F1760		2	PAN HD SCREW, 10 - 24 X 3/8
3	F523834		1	CLIP, SPARK PLUG WIRE
5	F2042		1	PLAIN WASHER
6	F1533		14	HEX BOLT, 1/4 - 20 X 7/8
7	F1513		4	HEX NUT, 10 - 32
8	F85502		1	THROTTLE LINK
9	817747--1		1	BALL JOINT W/STUD
10	FA85838-5		1	TOWERSHAFT W/BEARINGS, SWIVEL, ARMS AND SCREWS
11	F1475		4	FILL HD SCREW, 10 - 24 X 1/2
12	F1504		1	FILL HD SCREW, 1/4 - 20 X 1 1/4
13	F1341		1	HEX NUT, 1/4 - 20
14	F1556		2	FILL HD SCREW W/LOCKWASHER, 10 - 24 X 3/8
15	FK405020		2	SWIVEL W/PIVOT SCREW AND NUT
16	F1727		1	PLASTIC RIVET
17	F85036		1	TOWERSHAFT CONTROL ROD END
18	F85445		1	DISTRIBUTOR CONTROL ROD
19	F2015		1	HEX NUT, 1/4 - 28
20	F85035		1	DISTRIBUTOR CONTROL ROD END
21	F85026		1	SWIVEL
22	F84314-2		1	ELBOW
23	F85859		4	STUD, FORWARD
24	F7004		10	STOP NUT, 3/18 - 16
25	F85748-2		1	GASKET, CYLINDER DRAIN REED PLATE
26	F93811		3	SCREEN
27	F2A404757		1	CYLINDER DRAIN REED PLATE W/REEDS, STOPS, METERNG CP & SCRWS
28	F18160-2		3	REED
29	F93920		3	REED STOP
30	F8003		3	PLAIN WASHER
31	F1286		3	PAN HD SCREW, 4 - 40 X 3/16
32	F85472-2		1	GASKET, CYLINDER DRAIN COVER
33	817787A1		1	CYLINDER DRAIN COVER W/PLUG
35	F1532		6	HEX HD SCREW, 1/4 - 20 X 1
36	F404801		1	FITTING
37	F433253		1	HOSE
39	F1502		8	HEX HD SCREW, 1/4 - 20 X 5/8
40	FA411222		2	TRANSFER PORT COVER W/PLUG
41	F40223		3	GASKET, TRANSFER PORT COVER
42	F1999		2	HEX CAP SCREW, 1/4 - 20 X 7/8
43	F1238		10	HEX HD SCREW, 1/4 - 2 X 3/4
44	F1199		1	HEX CAP SCREW, 1/4 - 20 X 1
46	F85211		6	STUD, REAR

CONTINUED ON NEXT PAGE ➡

# POWER HEAD



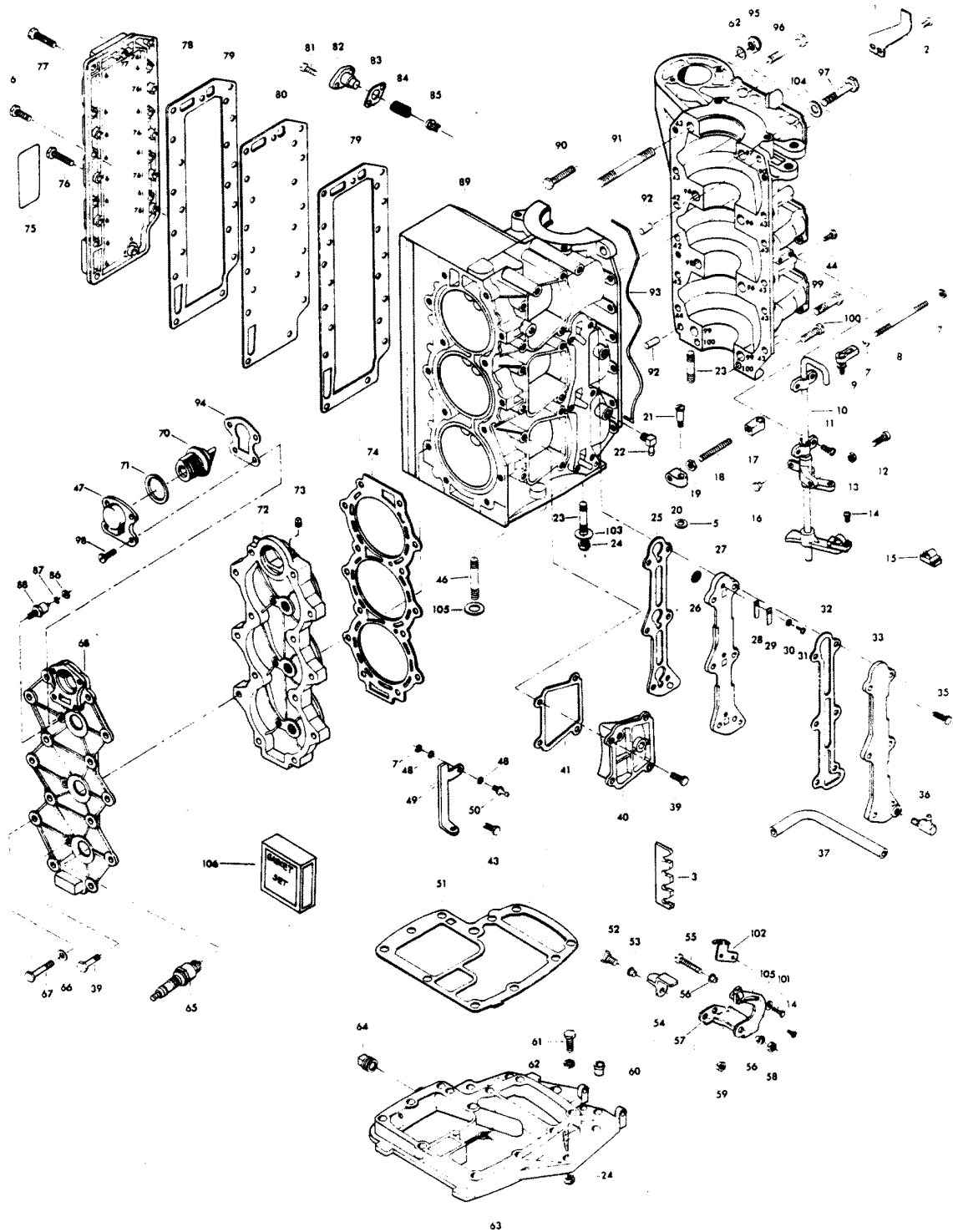


# POWER HEAD

REF. NO.	PART NO.	SYM.	QTY.	DESCRIPTION
47	F476066-1		1	COVER, THERMOSTAT
48	F8058		4	INTERNAL TOOTH LOCKWASHER
49	85872-1		1	BRACKET
50	F98273		2	ROD END CONNECTOR STUD
51	F85279-2		1	CYLINDER EXHAUST GASKET, UPPER
52	F369887		1	SHOULDER SCREW
53	F369610		1	BEARING
54	F369977-1		1	INTERLOCK ARM
55	F1885		1	HEX BOLT, 5/16 - 18 X 4 1/4
56	F85610		2	BEARING
57	FA480876		1	GEAR SHIFT ARM W/SWIVEL, INTERLOCK ARM AND BEARINGS
58	F2108		1	STOP NUT, 5/16 - 18
59	F1832		1	STOP NUT, 1/4 - 20
60	F40689-1		1	BEARING, TOWERSHAFT
61	F1869		6	HEX BOLT, 3/8 - 16 X 1 1/4
62	F1703		6	SPRING LOCKWASHER
63	817788A3		1	SPACER PLATE W/PLUGS
64	F2090		1	PLUG
65	33-97180		3	SPARK PLUG (CHAMPION L-20-V)
-	<b>FC522227</b>		<b>3</b>	<b>SPARK PLUG (CHAMPION QUL-77V) FOR CANADA</b>
66	F1987		14	PLAIN WASHER
67	F1883		14	HEX BOLT, 5/16 - 18 X 2 3/8
68	F499995		1	CYLINDER HEAD COVER
70	F528068		1	THERMOSTAT
71	F84504		1	GROMMET
72	F480518		1	CYLINDER HEAD
73	F19109		1	PLUG
74	F369529		1	CYLINDER HEAD GASKET
75	F438398		1	DECAL, WIRING - USA
-	<b>FC438398</b>		<b>1</b>	<b>DECAL WIRING - CANADA</b>
76	F1709		5	HEX HD SCREW, 1/4 - 20 X 1 1/8
77	F1849		1	HEX HD SCREW, 1/4 - 20 X 1 3/8
78	F85152-4		1	EXHAUST PORT COVER
79	F85154-1		2	GASKET, EXHAUST PORT PLATE
80	F85151-1		1	EXHAUST PORT PLATE
81	F1950		2	HEX HD SCREW, 10 - 24 X 5/8
82	F438066		1	BY-PASS VALVE COVER
83	F85762		1	GASKET, BY-PASS VALVE
84	F404268		1	SPRING, BY-PASS VALVE
85	F85916-1		1	BY-PASS VALVE
86	F1647		1	HEX NUT, 10 - 32
87	F8056		1	SPRING LOCKWASHER

CONTINUED ON NEXT PAGE ➡

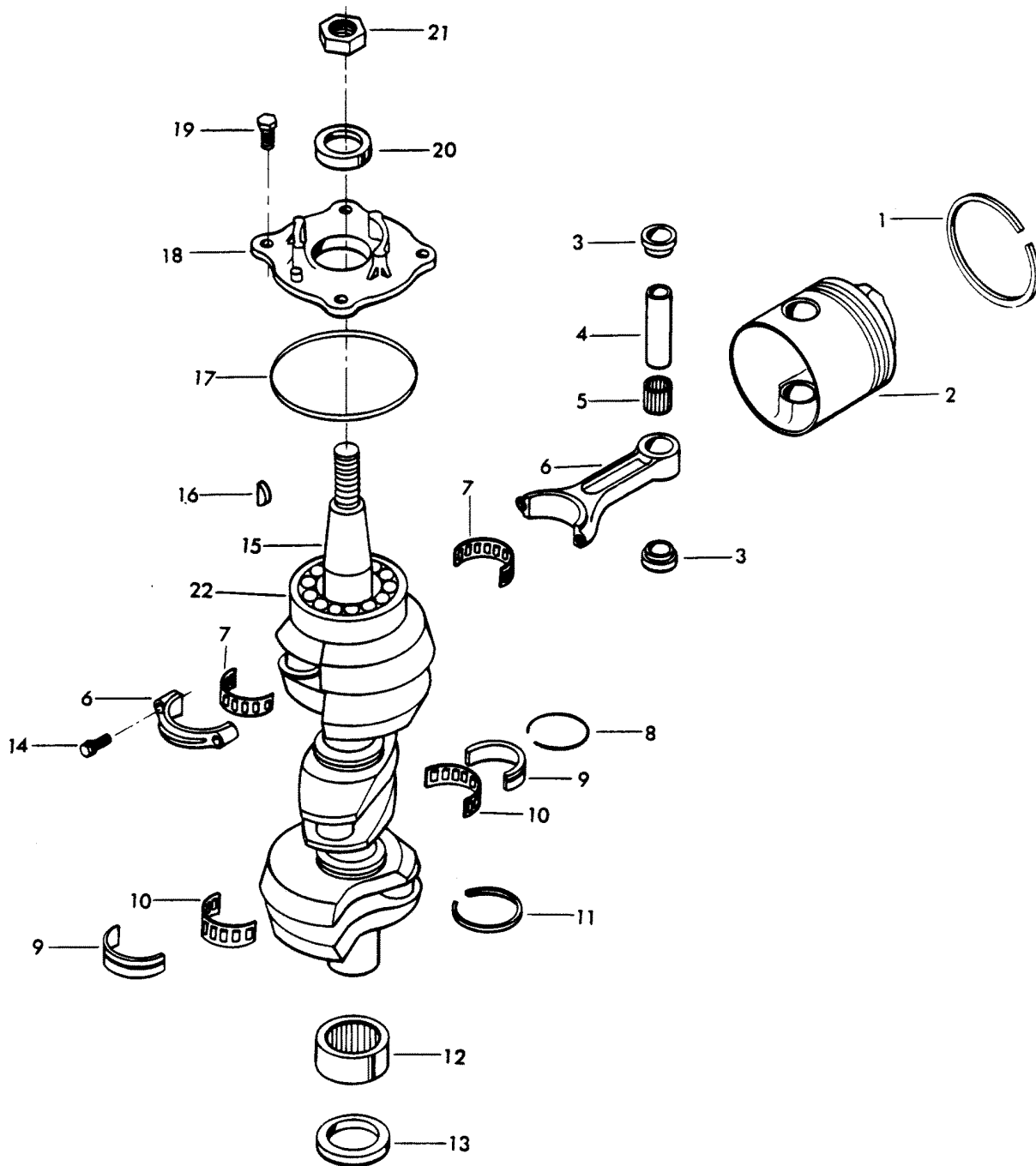
# POWER HEAD



# POWER HEAD

REF. NO.	PART NO.	SYM.	QTY.	DESCRIPTION
88	87-817778A1		1	THERMOSWITCH
89	A438010		1	CYLINDER ASSEMBLY W/PARTNG LINE SEAL & LOWR MAIN BEARG ASS'Y
90	F1864		1	HEX HD SCREW, 1/4 - 20 X 3/4
91	F85210		1	STUD
92	F8563		2	DOWEL PIN
93	F85122		1	PARTING LINE SEAL
94	F476067		1	GASKET, THERMOSTAT COVER
95	F1347		1	HEX NUT, 3/8 - 16
96	F1873		4	HEX BOLT, 3/8 - 16 X 3
97	F1009		1	HEX BOLT, 3/8 - 16 X 2 3/4
98	F1110		4	FILL HD SCREW, 1/4 - 20 X 5/8
99	F1872		2	HEX BOLT, 3/8 - 16 X 1 3/4
100	F1099		2	FILL HD SCREW, 1/4 - 20 X 1 1/4
101	F2089		2	SLOTTED PAN HD MACHINE SCREW, 10 - 24 X 5/16
102	F480107-1		1	CAM, STARTER INTERLOCK
103	F8038		4	PLAIN WASHER
104	F8095		14	PLAIN WASHER
105	F2042		2	PLAIN WASHER
106	FG1020		1	GASKET SET (INCLUDES THE FOLLOWING)
-	F40223		3	TRANSFER PORT COVER GASKET
-	F84278		1	CRANKSHAFT BRG. CAGE SEAL
-	F84504		1	THERMOSTAT GROMMET
-	F85122		1	CRANKCASE SEAL
-	F85154-1		2	EXHAUST PORT PLATE GASKET
-	F85159		1	MANIFOLD GASKET
-	F85168		3	CARBURETOR ADAPTER FLANGE GASKET
-	F85279-2		1	CYLINDER, EXHAUST - UPPER GASKET
-	F85472-2		1	CYLINDER DRAIN COVER GASKET
-	F85748-2		1	CYLINDER DRAIN REED PLATE GASKET
-	F85762		1	BY-PASS VALVE PLATE GASKET
-	F85906		3	CARBURETOR GASKET
-	F369529		1	CYLINDER HEAD GASKET
-	F476067		1	THERMOSTAT COVER GASKET
-	F481836		3	INTAKE GASKET

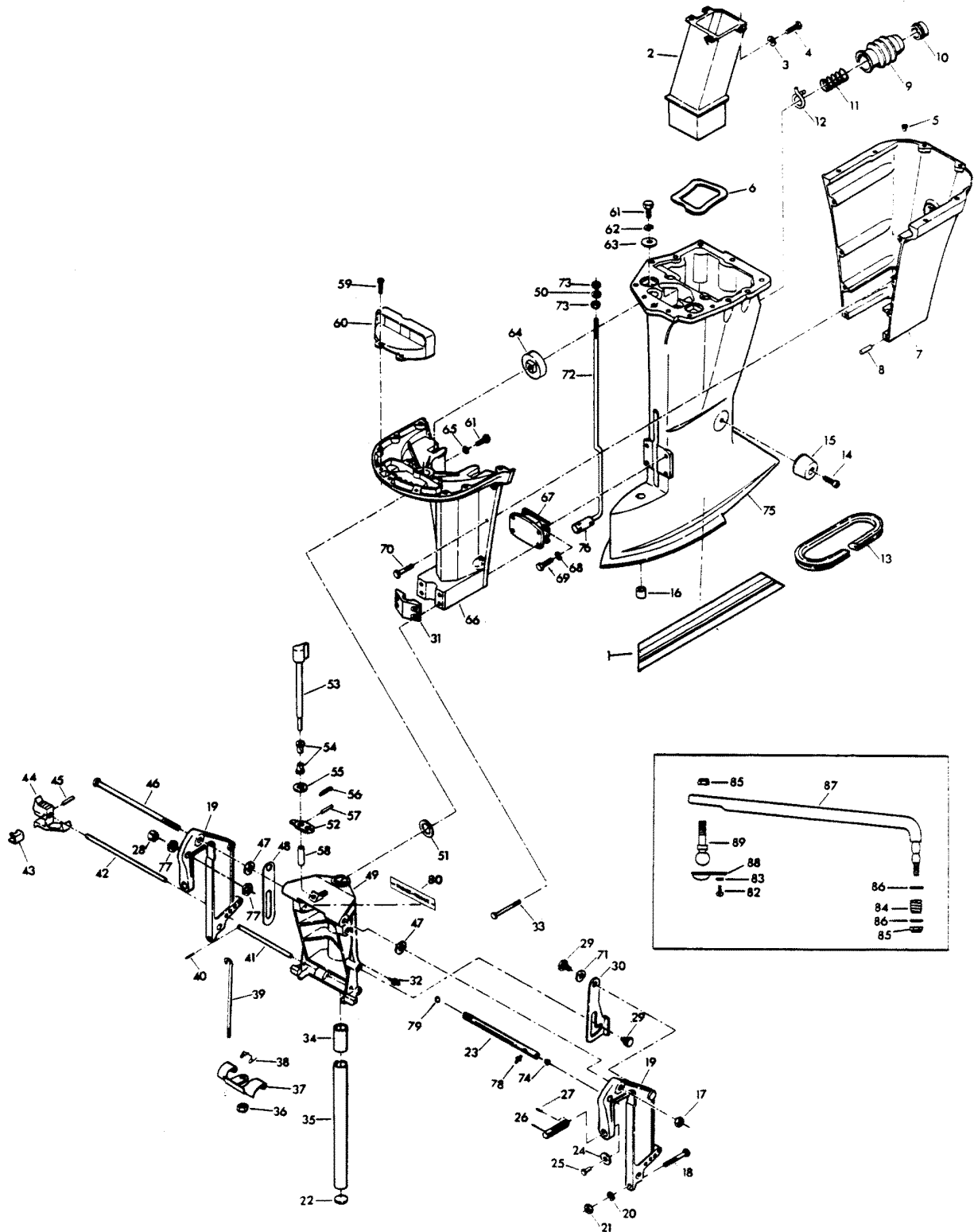
# CRANKSHAFT AND PISTON GROUP



# CRANKSHAFT AND PISTON GROUP

REF. NO.	PART NO.	SYM.	QTY.	DESCRIPTION
1	FA335260		3	PISTON RING SET (2 PER SET) STANDARD
-	<b>FSA335260</b>		<b>3</b>	<b>PISTON RINGS (2 PER SET) .010 OVERSIZE</b>
-	<b>39-818110A1</b>		<b>3</b>	<b>PISTON RINGS (2 PER SET) .030 OVERSIZE</b>
2	700-F372015-3		3	PISTON (STANDARD)
-	<b>700-817988A2</b>		<b>3</b>	<b>PISTON .010 OVERSIZE</b>
-	<b>700-818111A2</b>		<b>3</b>	<b>PISTON .030 OVERSIZE</b>
3	F335215		6	SPACER, PISTON PIN (2 PER PISTON)
4	F85017		3	PISTON PIN
5	F335217-1		3	BEARING PISTON PIN (26 PER SET)
6	600-818052A4		3	CONNECTING ROD W/CAP AND SCREWS
7	FK85228		3	BEARING CAGE W/ROLLER
8	F85410		2	SNAP RING
9	FA85655-1		2	CRANKSHAFT MAIN BEARING RACE W/SNAP RING
10	F85571		2	BEARING CAGE W/ROLLER
11	F316579		2	SEAL, CRANKCASE
12	FA523014		1	CRANKSHAFT LOWER MAIN BEARING W/SEAL
13	F523146		1	SEAL, CRANKSHAFT LOWER
14	F85634-2		6	CONNECTING ROD SCREW
15	FA85018-2		1	CRANKSHAFT W/BEARING
16	F85498		1	FLYWHEEL KEY
17	F84278		1	SEAL, CRANKSHAFT BEARING CAGE
18	31-817785A2		1	CRANKSHAFT BEARING CAGE W/SEAL
19	F1867		4	HEX CAP SCREW, 3/8 - 16 X 1
20	F84146-2		1	SEAL
21	F1968		1	FLYWHEEL NUT
22	F284659-2		1	CRANKSHAFT THRUST BEARING UPPER
-	<b>F2067</b>		<b>1</b>	<b>PLASTISOL CAP (NOT SHOWN) FOR EXPOSED THREADS OF CRANKSHAFT</b>

# MOTOR LEG

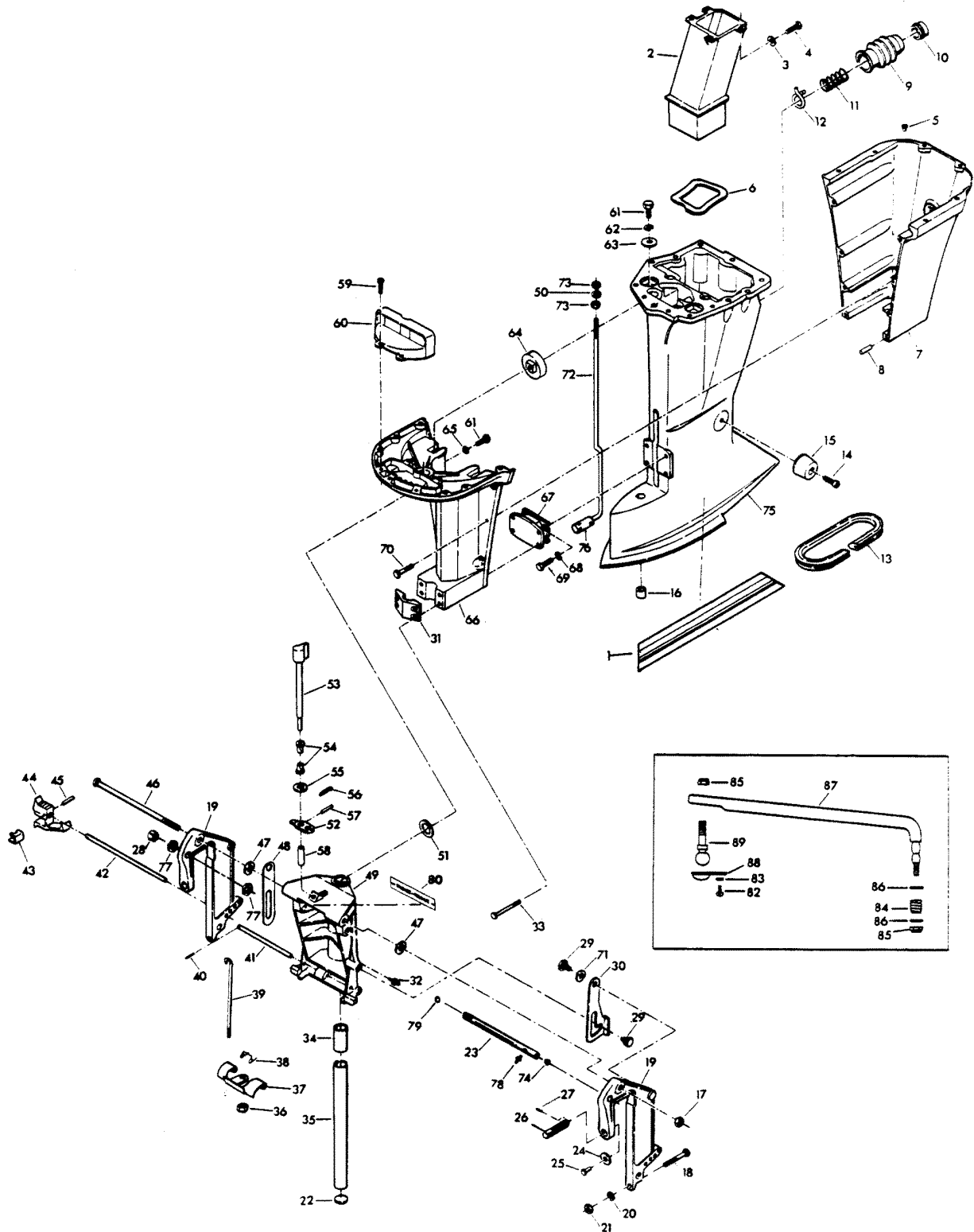


# MOTOR LEG

REF. NO.	PART NO.	SYM.	QTY.	DESCRIPTION
2	F85660-1		1	EXHAUST TUBE
3	F8083		4	SPRING LOCKWASHER
4	F1864		4	HEX SLOT HD SCREW, 1/4 - 20 X 3/4
5	F1729		2	PLUG
6	F439736		1	SEAL EXHAUST TUBE
7	817931A7		1	MOTOR LEG COVER, REAR
8	F1664		2	SPRING PIN
9	F85130		1	BOOT, IDLE EXHAUST
10	F85258		1	INSERT
11	F85380		1	SPRING
12	F85772		1	CLAMP
13	F178323		1	SEAL, MOTOR LEG
14	F1263		2	HEX SOCKET HD CAP SCREW, 5/16 - 18 X 9/16
15	F438962		2	SHOCK MOUNT SLIDE
16	F338618-1		1	SEAL, GEAR SHIFT ROD
17	F7012		1	LOCK NUT, 1/2 - 20
18	F1593		2	HEX HD SCREW, 3/8 - 16 X 3
19	1400-817958A6		2	STERN BRACKET
20	F1904		2	PLAIN WASHER
21	F1346		2	HEX NUT, 3/8 - 16
22	F1528		1	WELCH PLUG
23	F511125-2		1	TUBE, STEERING SUPPORT
24	F84074		2	CLAMP SCREW FOOT
25	F353480		2	STUD
26	F474073-1		2	CLAMP SCREW
27	F8538		2	SPRING PIN
28	F9018		1	CAP
29	F85350-1		4	TILT STOP PIVOT
30	F85541-1		1	TILT LOCK
31	F85606		1	KINGPIN CAP
32	F213274		3	GREASE FITTING
33	F1696		4	HEX BOLT, 5/16 - 18 X 1 3/4
34	F438169		2	BEARING
35	FA85019		1	KINGPIN W/PLUG
36	F1669		1	LOCK NUT
37	F369349		1	REVERSE LOCK
38	F85300		1	REVERSE LOCK SPRING
39	F369510		1	LINK
40	F1744		1	SPRING PIN
41	F177350		1	REVERSE LOCK PIN
42	FA438113		1	STERN BRACKET LOCK BAR W/HANDLE
43	F286461		1	SPRING LOCK BAR HANDLE
44	F433114		1	HANDLE, LOCK BAR

CONTINUED ON NEXT PAGE ➡

# MOTOR LEG



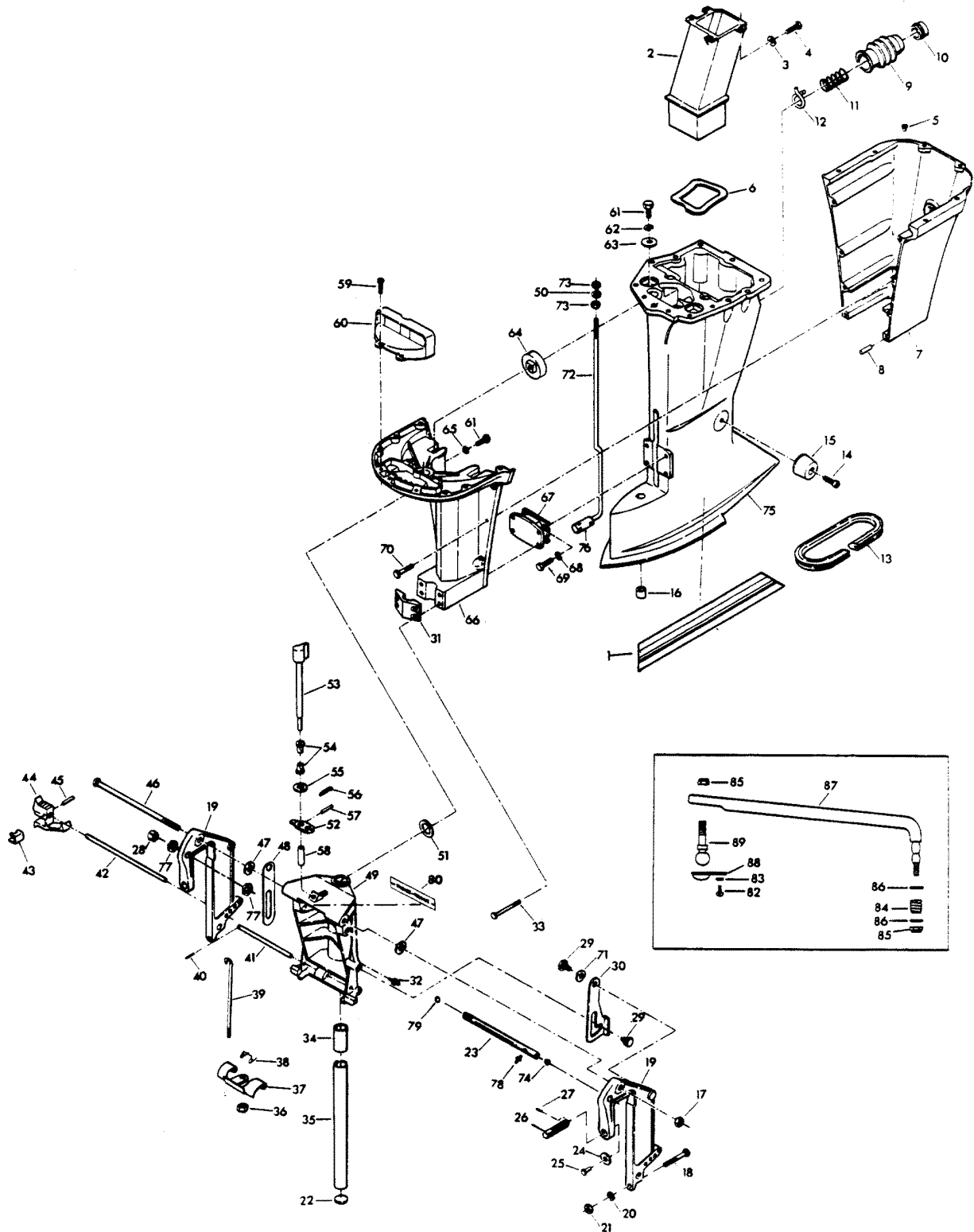


# MOTOR LEG

REF. NO.	PART NO.	SYM.	QTY.	DESCRIPTION
45	F1744		1	SPRING PIN
46	F85037-1		1	STERN BRACKET PIVOT BOLT
47	F84286-1		4	FRICTION WASHER
48	F85426		1	TILT STOP
49	817783A5		1	SWIVEL BRACKET W/BEARING AND GREASE FITTING
50	F1987		1	PLAIN WASHER
51	F84011		1	WASHER
52	F369364		1	REVERSE LOCK ARM
53	F369827		1	HANDLE AND SHAFT
54	F197813		2	BEARING
55	F8094		1	PLAIN WASHER
56	F1014		1	COTTER PIN
57	F1836		1	SPRING PIN
58	F483884		1	BEARING
59	F1912		4	HEX HD SCREW, 10 - 24 X 1/2
60	F85779-1		1	BAFFLE, AIR INTAKE
61	F1871		4	HEX HD SCREW, 3/8 - 16 X 3/4
62	F2014		2	PLAIN WASHER
63	FA85355-1		2	WASHER SHOCK MOUNT UPPER
64	F85965		2	SHOCK MOUNT, UPPER
65	F1703		2	SPRING LOCKWASHER
66	A3		1	LEG COVER, FRONT
67	F438346		1	SHOCK MOUNT, LOWER
68	F8096		4	SPRING LOCKWASHER
69	F1822		4	HEX BOLT, 5/16 - 18 X 7/8
70	F2030		6	HEX HD SCREW, 1/4 - 20 X 1 1/4
71	F1666		2	BOWED SPRING WASHER
72	F85615		1	GEAR SHIFT ROD UPPER
73	F2108		2	LOCK NUT, 5/16 - 18
74	F9052		1	PLUG
75	A438133		1	MOTOR LEG
76	F85704		1	COUPLER, GEARSHIFT ROD UPPER
77	F523280		2	NUT, STEERING SUPPORT TUBE
78	F523274		1	GREASE FITTING
79	F316599		1	SEAL, STEERING SUPPORT TUBE
80	F474390-1		1	DECAL, REVERSE LOCK - USA
-	<b>37-819450</b>		<b>1</b>	<b>DECAL, REVERSE LOCK - CANADA</b>
81	A548392		1	DECAL, LEG - PORT W/LITERATURE
-	<b>A548391</b>		<b>1</b>	<b>DECAL, LEG - STARBOARD W/LITERATURE</b>
82	F1280		1	PAN HEAD SCREW
83	F8080		1	SPRING LOCKWASHER
84	F523300-1		1	SPRING STEERING LINK
85	F2093		2	NUT (30824 S.S.)

CONTINUED ON NEXT PAGE ➡

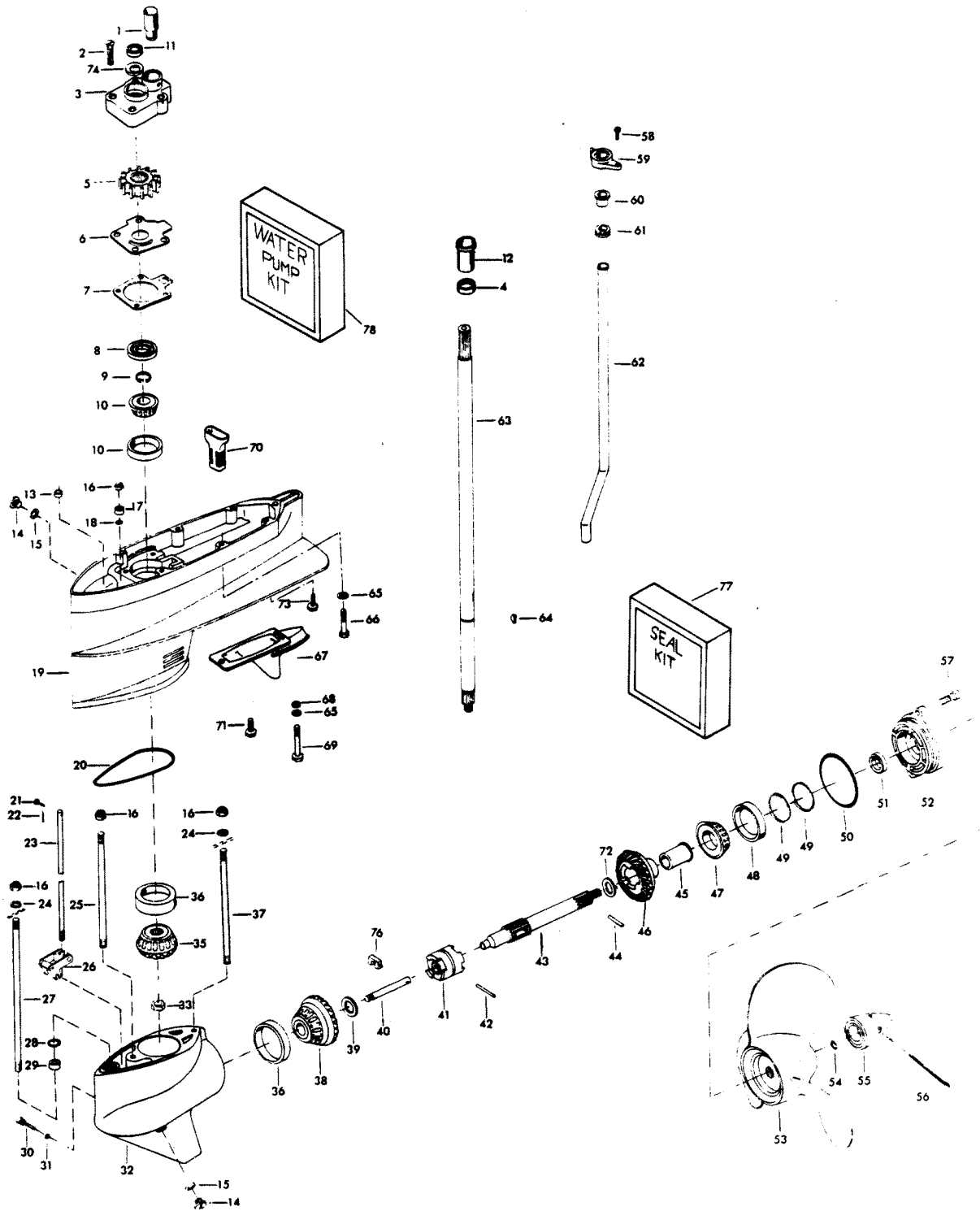
# MOTOR LEG



# MOTOR LEG

REF. NO.	PART NO.	SYM.	QTY.	DESCRIPTION
86	F8038		2	PLAIN WASHER
87	F523881-2		1	LINK STEERING
88	F523930		1	RETAINER
89	F523273		1	STEERING BALL STUD

# GEAR HOUSING

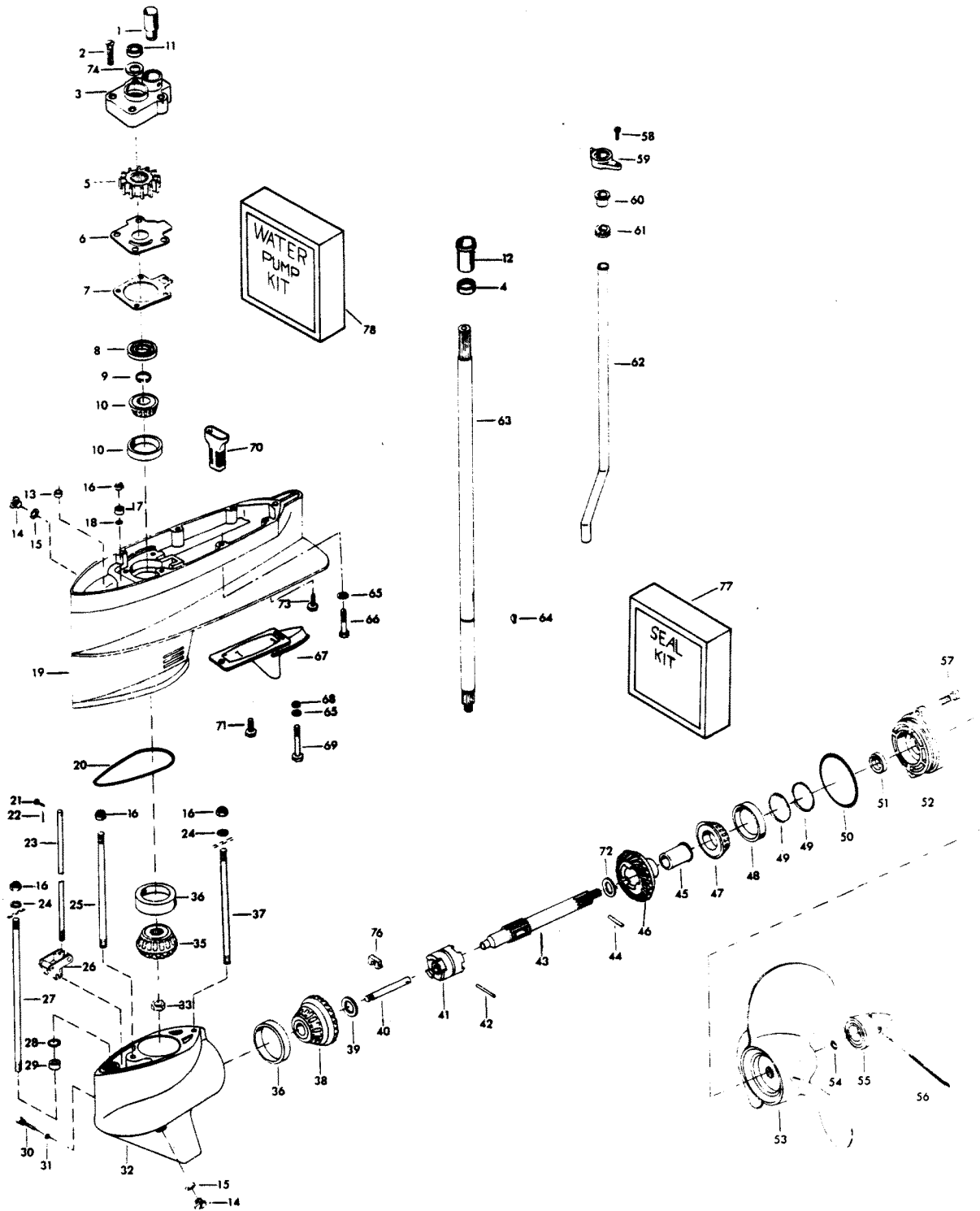


# GEAR HOUSING

REF. NO.	PART NO.	SYM.	QTY.	DESCRIPTION
1	FA523735		1	SEAL, INLET WATER LINE, LOWER
2	F1849		4	FLAT HD SCREWS, S.S., 1/4 - 20 X 1 3/8
3	FK500060		1	WATER PUMP BODY <b>W/ITEMS 1, 2, 11 &amp; 74</b>
4	F438271		1	RETAINER, CRANKSHAFT SPLINE SEAL
5	F84065		1	WATER PUMP IMPELLER
6	F369562		1	WATER PUMP BACK PLATE
7	F84031		1	GASKET, WATER PUMP
8	F84307-1		1	SEAL, DRIVESHAFT
9	F84173		1	RETAINING RING
10	FA40901		1	BEARING, DRIVESHAFT W/CUP
11	F351307		1	SEAL, WATER PUMP
12	F438129		1	SEAL, DRIVESHAFT SPLINE
13	F338618-1		1	SEAL, GEAR SHIFT ROD
14	F50109		2	PLUG, GEAR HOUSING
15	F8077		2	WASHER, GEAR HOUSING PLUG
16	F7025		3	HEX NUT, 3/8 - 16
17	F84215		1	SPACER
18	F19342		1	SEAL
19	A316554		1	GEAR HOUSING, UPPER W/PLUG AND WASHER
20	F316555		1	SEAL
21	F85372		1	PIN, GEAR SHIFT ROD LOWER
22	F1015		1	COTTER PIN, S.S.
23	F85705-1		1	GEAR SHIFT ROD, LOWER
24	F1778		2	PLAIN WASHER
25	F316165		1	STUD, GEAR HOUSING CENTER
26	FA84621-1		1	COUPLING, GEAR SHIFT ARM W/BUSHING
27	F85006-1		1	STUD, GEAR HOUSING, FRONT
28	F316599		1	SEAL, GEAR HOUSING STUD, FRONT
29	F85012		1	PILOT, GEAR HOUSING
30	F498891		1	PIN, GEAR SHIFT ARM
31	F498618		1	SEAL
32	1600-817767A2		1	GEAR HOUSING LOWER W/PLUG AND WASHER
-	<b>FC481054</b>		<b>1</b>	<b>GEAR HOUSING COMPLETE. INCLUDES ALL ITEMS MARKED WITH AN ASTERISK (*)</b>
33	FA511188		1	NUT, BEVEL PINION RETAINING
35	FA481266		1	BEVEL PINION GEAR W/BEARING AND CUP
36	84903		2	BEARING CUP
37	F84008-4		1	STUD, GEAR HOUSING, REAR
38	F2A481023		1	BEVEL GEAR FRONT W/BEARINGS
39	F1936		A/R	SPACER, BEVEL GEAR FRONT .059
-	<b>F1937</b>		<b>A/R</b>	<b>SPACER, BEVEL GEAR FRONT .062</b>
-	<b>F1938</b>		<b>A/R</b>	<b>SPACER, BEVEL GEAR FRONT .065</b>
-	<b>F1939</b>		<b>A/R</b>	<b>SPACER, BEVEL GEAR FRONT .068</b>

CONTINUED ON NEXT PAGE ➡

# GEAR HOUSING

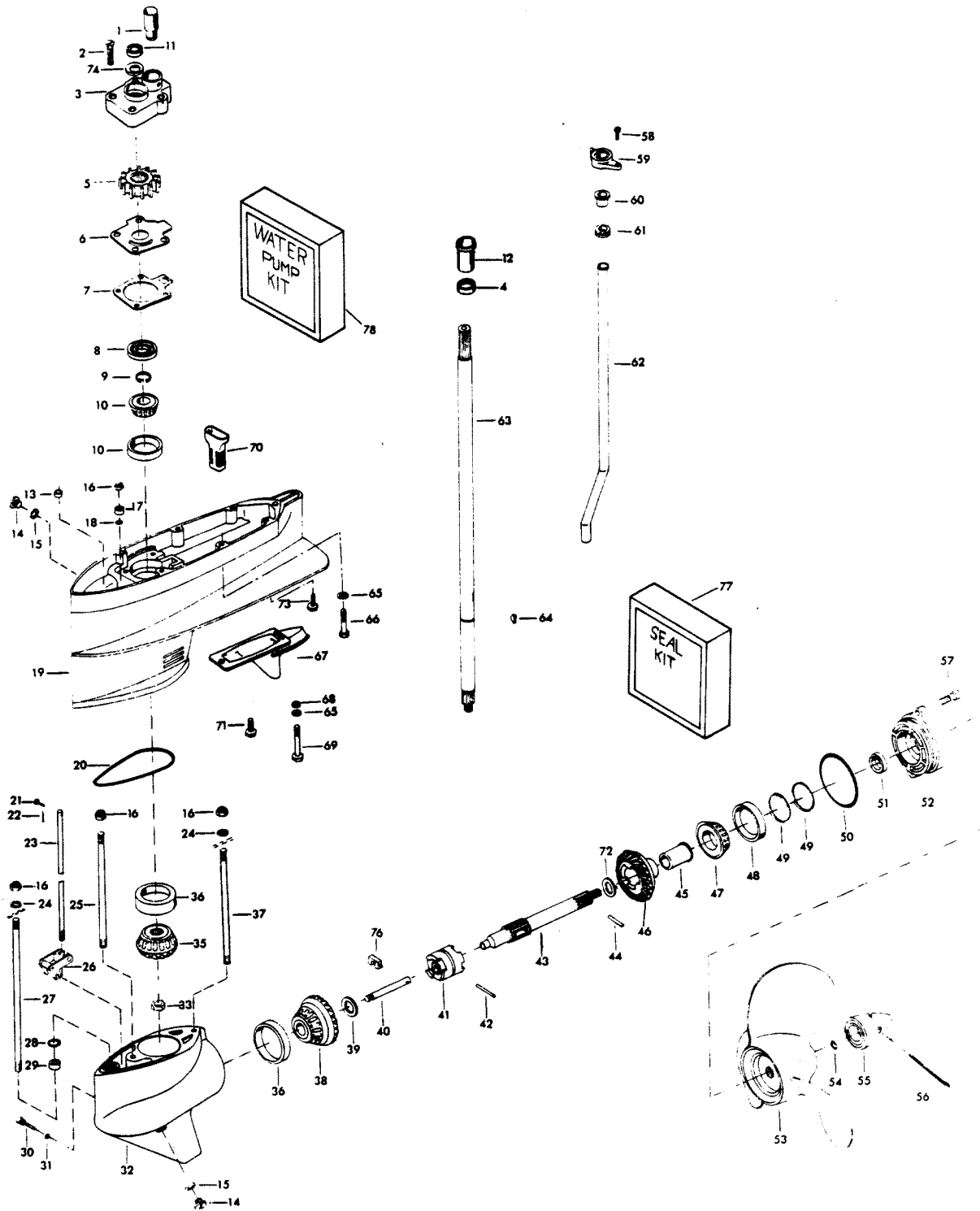


# GEAR HOUSING

REF. NO.	PART NO.	SYM.	QTY.	DESCRIPTION
-	F1940		A/R	SPACER, BEVEL GEAR FRONT .071
-	F1941		A/R	SPACER, BEVEL GEAR FRONT .074
-	F1942		A/R	SPACER, BEVEL GEAR FRONT .077 SPACERS AVAILABLE FOR THE BEVEL GEAR THRUST, FRONT POSITION.
40	F84871-1		1	PIN, GEAR SHIFT
41	F84521-1		1	CLUTCH
42	F1713		1	SPRING PIN
43	A2		1	PROPELLER SHAFT
44	FK280		1	PROPELLER PIN
45	F384143		1	BEARING, BEVEL GEAR REAR
46	F481662		1	BEVEL GEAR, REAR
47	FA84225		1	BEARING W/CUP
48	84250		1	BEARING CUP
-	F9022		A/R	SHIM, PROPELLER SHAFT BEARING CAGE .006" (SILVER)
-	F9023		A/R	SHIM, PROPELLER SHAFT BEARING CAGE .007" (BRASS)
-	F9024		A/R	SHIM, PROPELLER SHAFT BEARING CAGE .010" (BLACK) SHIMS AVAILABLE FOR THE PORPELLER SHAFT BEARING CAGE.
50	F84305		1	SEAL, PROPELLER SHAFT BEARING CAGE
51	F84118		1	SEAL, PROPELLER SHAFT
52	FA84298-3		1	PROPELLER SHAFT BEARING CAGE W/ITEM 51
53	FP372		1	PROPELLER (ACCESSORY ITEM)
54	F40342		1	SEAL, PROPELLER NUT
55	11-817784A1		1	PROPELLER NUT W/COTTER PIN AND SEAL
56	F1028		1	COTTER PIN, S.S.
57	F1252		2	HEX SOCKET HD CAP SCREW, S.S., 3/8 - 16 X 1
58	F1705		2	HEX CAP SCREW, S.S., 1/4 - 20 X 3/4
59	F85117		1	BRACKET, WATER LINE
60	F84342		1	SEAL, INLET WATER LINE, UPPER
61	F381899		1	GROMMET, WATER LINE
62	F85244		1	INLET WATER LINE
63	FK85128-1		1	DRIVESHAFT
64	F9038		1	DRIVE KEY, WATER PUMP
65	F8096		7	SPRING LOCKWASHER, S.S.
66	F1696		6	HEX BOLT, S.S., 5/16 - 18 X 1 3/4
67	817797A2		1	EXHAUST OUTLET, GEAR HOUSING UPPER
68	F1907		1	PLAIN WASHER
69	F1994		1	HEX SOCKET HD CAP SCREW, 5/16 - 18 X 1
70	F438077		1	SCREEN, WATER INLET
71	F438930		1	RETAINER, SNOUT
72	F84717		1	THRUST WASHER, BEVEL GEAR, REAR
73	F1213		1	HEX CAP SCREW, 5/16 - 18 X 1 1/8
74	F480388		1	DISC, WATER PUMP LOCATING
75	F136717		1	WASHER, BEVEL GEAR THRUST

CONTINUED ON NEXT PAGE ➡

# GEAR HOUSING

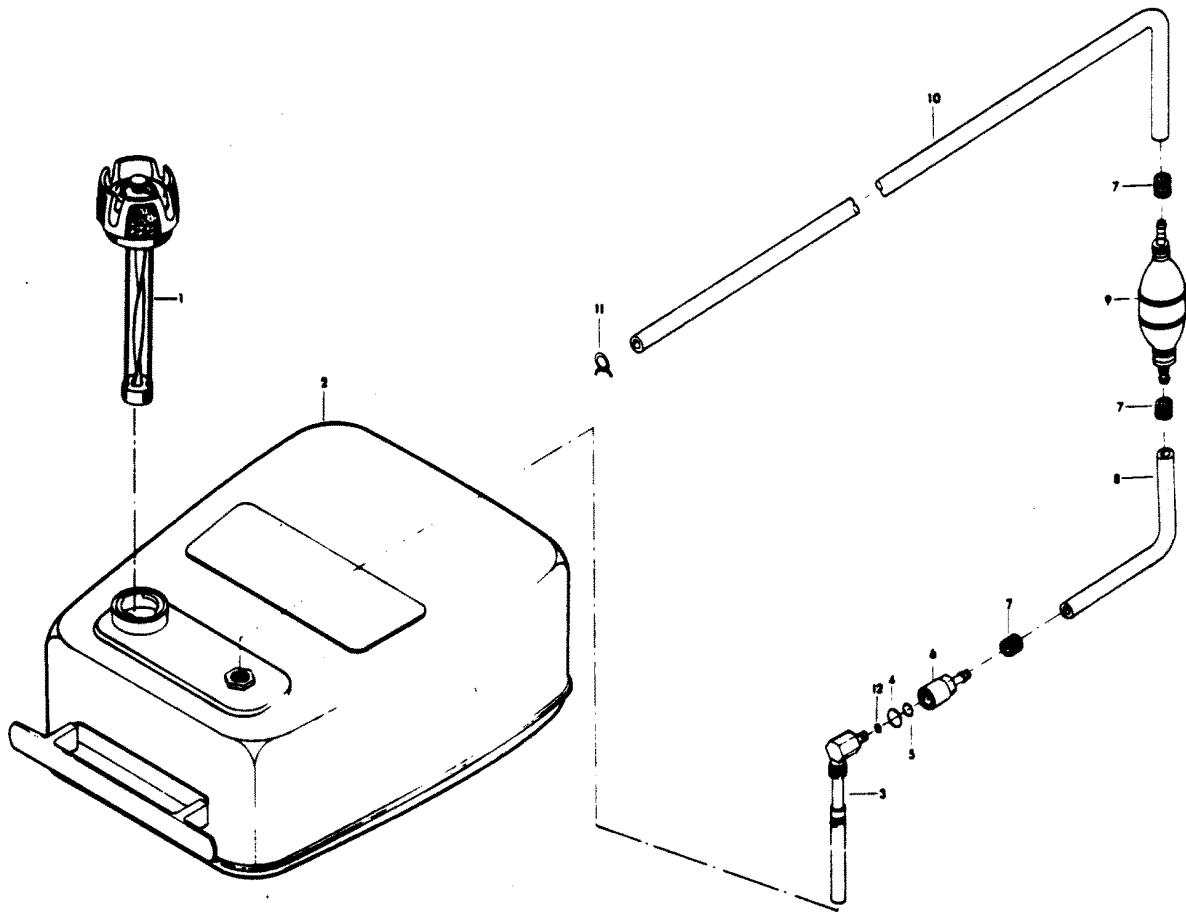




# GEAR HOUSING

REF. NO.	PART NO.	SYM.	QTY.	DESCRIPTION
76	F90619-1		1	YOKE
77	FK1061		1	SEAL KIT. INCLUDES THE FOLLOWING
-	F84307-1		1	DRIVESHAFT SEAL
-	F19342		1	GEAR HOUSING STUD SEAL
-	F338618-1		1	GEAR SHIFT ROD SEAL
-	F8077		2	WASHER
-	F498618		1	GEAR SHIFT ARM PIN
-	F316555		1	GEAR HOUSING SEAL
-	F316599		1	GEAR HOUSING STUD SEAL
-	F84305		1	PROP SHAFT BEARING CAGE SEAL
-	F84118		1	PROP SHAFT SEAL
78	FK1033-1		1	WATER PUMP KIT
-	F9038		1	WOODRUFF KEY
-	F84031		1	GASKET
-	F369562		1	PLATE, BACK
-	F438065		1	IMPELLER
-	FK500060		1	WATER PUMP KIT

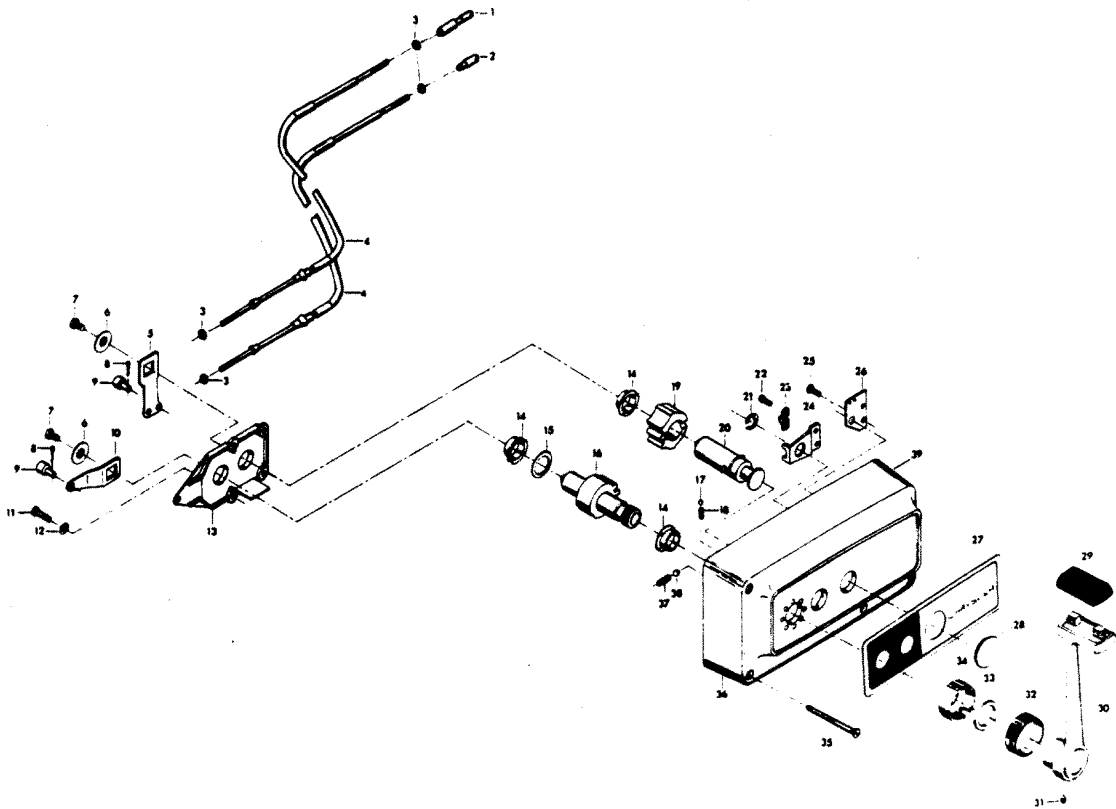
# FUEL TANK AND LINE



## FUEL TANK AND LINE

REF. NO.	PART NO.	SYM.	QTY.	DESCRIPTION
1	F409251-1		1	GAUGE CAP
2	F5H026		1	FUEL TANK (ACCESSORY ITEM)
3	F485755-1		1	FUEL TANK ADAPTER
4	F213342		1	SEAL, FUEL LINE COUPLER (LARGE)
5	F213735		1	SEAL, FUEL LINE COUPLER (SMALL)
6	F197787-3		1	FUEL LINE COUPLER
7	F298788		3	FERRULE
8	FA84754-1		1	FUEL LINE SHORT W/FERRULES
9	89396A38		1	PRIME BULB
10	32-817738A1		1	FUEL LINE LONG W/CLAMP AND FERRULE
11	F97772		1	FUEL LINE CLAMP
12	F17932		1	SEAL, FUEL TANK ADAPTER
-	<b>FS409752</b>		1	<b>FUEL LINE COMPLETE. INCLUDES ALL ITEMS MARKED WITH AN ASTERISK (*).</b>
-	<b>FC409398</b>		1	<b>DECAL, TOTE TANK - CANADA (NOT SHOWN)</b>

# REMOTE CONTROL

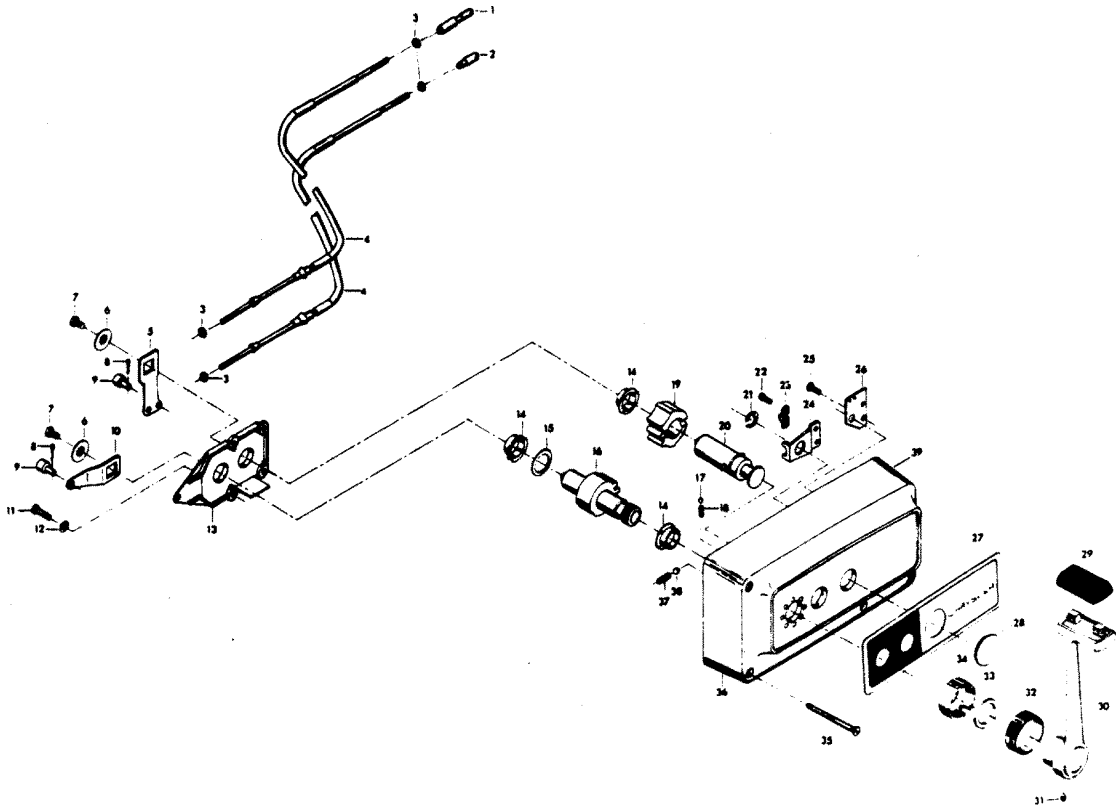


# REMOTE CONTROL

REF. NO.	PART NO.	SYM.	QTY.	DESCRIPTION
1	FA58976-1		1	CONNECTOR, THROTTLE CABLE
2	F58685-2		1	CONNECTOR, SHIFT CABLE
3	F1513		4	HEX NUT
4	ÄF58356//		2	REMOTE CONTROL CABLE (SPECIFY LENGTH)
5	F17019		1	CLUTCH ARM
6	F17036		2	INTERNAL TOOTH LOCKWASHER
7	F1715		2	HEX BOLT, 1/4 - 28 X 9/16
8	F17149		2	COTTER PIN
9	F17016		2	CABLE TERMINAL
10	F17014		1	THROTTLE ARM
11	F17013		2	FILL HD SCREW, 1/4 - 20 X 1/2
12	F17147		2	INTERNAL TOOTH LOCKWASHER
13	F17012		1	RETAINING PLATE
14	F17009		3	BEARING
15	F17011		1	BOWED WASHER
16	F17010-1		1	THROTTLE GEAR
17	F17111		1	DETENT BALL
18	F17006		1	DETENT SPRING
19	F17021		1	CLUTCH GEAR
20	F17100		1	CLUTCH SHAFT
21	F17092		1	SNAP RING
22	F17071		2	FILL HD SCREW, 10 - 24 X 5/16
23	F154317		1	CABLE CLAMP
24	F17026		1	SWIVEL
25	F1557		2	FLAT HD SCREW, 10 - 24 X 3/8
26	F17112		1	JUNCTION BOARD, STARBOARD
-	<b>F17113</b>		<b>1</b>	<b>JUNCTION BOARD, PORT</b>
27	F17148		1	DECAL, STARBOARD
-	<b>F531892</b>		<b>1</b>	<b>DECAL, PORT</b>
28	F17031-1		1	SNAP CAP
29	F17116		1	KNOB
30	F17115-1		1	HANDLE
31	F17030-1		1	SET SCREW
32	FK17114-1		1	INDICATOR
33	F17105		1	FELT WASHER
34	F17106		1	COLLAR
35	F17146		3	WOOD SCREW
36	F17099-1		1	HOUSING

CONTINUED ON NEXT PAGE ➡

# REMOTE CONTROL



# REMOTE CONTROL

REF. NO.	PART NO.	SYM.	QTY.	DESCRIPTION
37	F17068		1	DETENT SPRING
38	F17082-1		1	DETENT BALL
-	F1280		2	PAN HD SCREW, 8 - 32 X 1/4 (TERMINAL BOARD) (NOT SHOWN)
-	OB3061		1	LITERATURE. INSTALLATION INSTRUCTIONS FOR REMOTE CONTROL (NOT SHOWN)
-	F17103-1		1	BAG ASSEMBLY (NOT SHOWN) INCLUDES ITEMS MARKED WITH AN ASTERISK (*).

## SPECIAL TOOLS - TUNE-UP

REF. NO.	PART NO.	SYM.	QTY.	DESCRIPTION
-	FT8948-1		0	PULLER TO REMOVE FLYWHEEL.
-	FTA2937-1		0	TIMING TOOL TO ADJUST TIMING POINTER.
-	FT2951		0	CIRCUIT TRACER TO TROUBLESHOOT ELECTRICAL SYSTEM
-	FT8978		0	TIMING LIGHT FOR ADJUSTING IGNITION TIMING.



## SPECIAL TOOLS - POWER HEAD

REF. NO.	PART NO.	SYM.	QTY.	DESCRIPTION
-	FT8914		0	SEAL REMOVER TO REMOVE UPPER CRANKSHAFT BEARING CAGE SEAL.
-	FT8903		0	SEAL INSTALLER TO INSTALL UPPER CRANKSHAFT BEARING CAGE SEAL.
-	FT8927		0	SEAL PROTECTOR TO INSTALL UPPER CRANKSHAFT BEARING CAGE.
-	FT8907		0	DRIVE HANDLE USED WITH T 8903.
-	FT8925		0	SEAL INSTALLER TO INSTALL LOWER CRANKSHAFT SEAL.
-	FT2953		0	SOCKET TO TORQUE CONNECTING ROD SCREWS.
-	FT2990		0	PISTON PIN TOOL TO REMOVE AND INSTALL PISTON PINS.
-	FT2996		0	RING COMPRESSOR TO INSTALL PISTONS IN CYLINDER.
-	FT8926		0	RING EXPANDER TO INSTALL PISTON RINGS.
-	FT1082		0	SNAP RING PLIER TO REMOVE AND INSTALL DISTRIBUTOR RETAINING RING.
-	FT8933		0	LIFTING HOOK TO LIFT ENGINE.

# SPECIAL TOOLS - GEAR HOUSING

REF. NO.	PART NO.	SYM.	QTY.	DESCRIPTION
-	FT8948-1		0	PULLER TO REMOVE PROPELLER SHAFT BEARING CAGE FROM GEAR HOUSING.
-	FT8918		0	BEARING GUIDE SET TO REMOVE AND INSTALL BEARING CUP IN LOWER GEAR HOUSING.
-	FT2995		0	BEARING CUP INSTALLER TO INSTALL FORWARD BEARING CUP IN LOWER GEAR HOUSING.
-	FT8917		0	BEARING CUP REMOVER TO REMOVE REAR BEARING CUP FROM PROPELLER SHAFT BEARING CAGE.
-	FT8909		0	BEARING CUP INSTALLER TO INSTALL FORWARD BEARING CUP IN LOWER GEAR HOUSING.
-	FT8922		0	SLIDE HAMMER USED WITH T 8917
-	FT8910		0	BEARING CUP INSTALLER TO INSTALL REAR BEARING CUP IN PROPELLER SHAFT BEARING CAGE.
-	FT8957		0	SEAL INSTALLER TO INSTALL SHIFT ROD SEAL.
-	FT8908		0	SEAL INSTALLER TO INSTALL PROPELLER SHAFT SEAL IN PROPELLER SHAFT BEARING CAGE.
-	FT8915		0	SEAL PROTECTOR TO INSTALL BEARING CAGE ON PROPELLER SHAFT.
-	FT8916		0	BEARING INSTALLER TO INSTALL REVERSE GEAR AND BEARING ON PROPELLER SHAFT.
-	FT8906		0	BEARING SUPPORT TO INSTALL REVERSE GEAR AND BEARING ON PROPELLER SHAFT.
-	FT8911		0	DRIVESHAFT KNOCK-OFF NUT TO REMOVE DRIVESHAFT FROM UPPER GEAR HOUSING.
-	FT8905		0	BEARING REMOVER TO REMOVE BEARING FROM DRIVESHAFT.
-	FT8920		0	BEARING INSTALLER TO INSTALL BEARING ON DRIVESHAFT.
-	FT8925		0	SEAL INSTALLER TO INSTALL DRIVESHAFT SEAL IN UPPER HOUSING.
-	FT3012		0	SEAL INSTALLER TO INSTALL DRIVESHAFT SEAL IN WATER PUMP.
-	FT8924-1		0	CHECKING GAUGE TO MEASURE PROPELLER SHAFT END PLAY AND END FLOAT.
-	FTA8981		0	SPACER KIT TO SHIM LOWER UNIT - USE WITH T 8924-1.
-	FT8901		0	INDICATOR HOLDER USED IN CONJUNCTION WITH T 8924-1.
-	FT8902		0	DIAL INDICATOR USED IN CONJUNCTION WITH T 8924-1.
-	FT8907		0	DRIVER HANDLE USED WITH T 8910, T 8909, T 8908.
-	FT8919		0	SPRING PIN PUNCH TO REMOVE CLUTCH SPRING PIN.
-	FT1081		0	SNAP RING PLIER TO REMOVE AND INSTALL DRIVESHAFT BEARING RETAINING RING.

## SPECIAL TOOLS - TEST EQUIPMENT

REF. NO.	PART NO.	SYM.	QTY.	DESCRIPTION
-	FTA8991		0	TEST WHEEL TO TEST MOTOR IN TEST TANK.
-	FT8950		0	LEAKAGE TESTER TO TEST LOWER UNIT SEALS FOR LEAKAGE.
-	FT8953		0	IGNITION TESTER TO TEST OUTPUT OF C-D UNIT.

# SPECIAL TOOLS - LUBRICANTS AND SEALANTS

REF. NO.	PART NO.	SYM.	QTY.	DESCRIPTION
-	FT2961		0	LUBRICANT - RYKON #2EP
-	FT2987-1		0	LUBRICANT - ANTI-SEIZE
-	FT8969		0	LUBRICANT - 7 OZ. 2 PSI LUBRICANT
-	FT8955		0	SEALANT - 5 OZ. EC-750 INDUSTRIAL SEALANT
-	FT8993		0	SEALANT - 3 OZ. RTV SEALANT FROM IN PLACE GASKETS
-	FT8936		0	SEALANT - 2 CC LOCTITE RETAINING COMPOUND #75
-	FT2962-1		0	SEALANT - 50 CC LOCTITE H, NON-HARDENING GRADE
-	FT2963-1		0	SEALANT - 2 OZ. LOCTITE D, HARDENING GRADE
-	FT8935		0	SEALANT PRIMER - 6 OZ.

# SPECIAL TOOLS - REPAIR DECALS - ENGINE COVERS

REF. NO.	PART NO.	SYM.	QTY.	DESCRIPTION
-	T11236		0	METALIC SILVER
-	T11233		0	MEDIUM METALLIC SILVER
-	T11212		0	BOAT BLACK
-	T11211		0	BOAT WHITE
-	T11230		0	ORANGE

# ACCESSORIES

REF. NO.	PART NO.	SYM.	QTY.	DESCRIPTION
-	F861		0	FLUSHING ADAPTER PERMITS FRESH WATER FLUSHING OF WATER PASSAGES WITH STANDARD GARDEN HOSE.
-	F5H130		0	REMOTE CONTROL - SURFACE MOUNT PERMITS REMOTE CONTROL OF THROTTLE AND GEAR SHIFT FROM STARBOARD SIDE OF BOAT.
-	F5H120		0	REMOTE CONTROL BACK PLATE TO PREVENT INTERFERENCE WITH PADDED SIDE OF BOAT.
-	F5H131		0	PORT SIDE DECAL KIT CONVERTS 5H130 CONTROL BOX TO PORT SIDE MOUNTING.
-	F590		0	REMOTE CONTROL - FLUSH MOUNT FLUSH MOUNT CONTROL UNIT PERMITS REMOTE CONTROL OF THROTTLE AND GEAR SHIFT. MAY BE MOUNTED ON PORT OR STARBOARD SIDE OF BOAT.
-	865		0	REMOTE CONTROL - SURFACE MOUNT PERMITS REMOTE CONTROL OF THROTTLE AND GEAR SHIFT ON TWIN ENGINE INSTALLATIONS. MAY BE MOUNTED ON PORT OR STARBOARD SIDE OF BOAT.
-	F5H079		0	SINGLE REMOTE CONTROL BOX PERMITS REMOTE CONTROL OF THROTTLE AND GEAR SHIFT. CONSOLE MOUNTED.
-	F5H080		0	TWIN REMOTE CONTROL BOX PERMITS REMOTE CONTROL OF THROTTLE AND GEAR SHIFT - TWO ENGINES. CONSOLE MOUNTED.
-	F195/___		0	REMOTE CONTROL CABLES CONNECTS REMOTE CONTROL BOX TO THROTTLE AND GEAR SHIFT ON ENGINE. AVAILABLE IN 6 THROUGH 40 FOOT LENGTHS.
-	F5H132		0	REMOTE CONTROL HANDLE TRIM SWITCH HAS POWER TRIM CONTROL SWITCH IN HANDLE. REPLACES STANDARD CONTROL LEVER ON 5H130 CONTROL BOX.
-	F5H108		0	STEERING CONNECTOR CLEVIS TYPE FOR BOAT MOUNTED STEERING AND NONTHREADED CABLE END.
-	F5H094		0	STEERING LINK KIT CONNECTS STEERING CABLE TO ENGINE WHEN USING ENGINE MOUNTED STEERING SYSTEM.
-	5H139		0	SWITCH KIT - LIVWELL FOR OPERATING PUMP IN BASS BOATS.
-	F5H018		0	DUAL STEERING CONNECTOR PERMITS DUAL ENGINE INSTALLATIONS.
-	F5H026		0	STEEL, 6 GALLON FUEL TANK (LOW PROFILE) AUXILIARY TANK.
-	F5H029		0	TANK ANCHOR SECURES 5H026 TO BOAT.
-	F5H040		0	STEEL, 12 GALLON FUEL TANK AUXILIARY TANK.
-	5H111		0	INSTRUMENT ADAPTER - 2" PROVIDES SURFACE MOUNTING OF INSTRUMENTS.
-	F5H112		0	INSTRUMENT ADAPTER - 3 1/2" PROVIDES SURFACE MOUNTING OF INSTRUMENTS.
-	71H06		0	AMMETER FLUSH MOUNT MONITORS OUTPUT OF ALTERNATOR.
-	F5H019		0	ANTI-CORROSION KIT ELECTRICAL KIT FOR MOUNTING ON BOAT (12V) TO REDUCE CORROSION.

CONTINUED ON NEXT PAGE ➡

# ACCESSORIES

REF. NO.	PART NO.	SYM.	QTY.	DESCRIPTION
-	F5H025		0	ANTI-CORROSION SACRIFICIAL ANODE KIT USED TO REDUCE CORROSION.
-	F5H043		0	OVERHEAT BUZZER SOUNDS WARNING BUZZER IF ENGINE OVERHEATS.
-	F5H010		0	POWER TRIM INDICATOR INDICATES ENGINE TRIM ANGLE. (FLUSH MOUNT).
-	F5H134		0	BOAT WHITE LACQUER ENGINE TOUCH-UP PAINT IN 12 3/4 OZ. SPRAY BOMBS (6 CANS PER CASE).
-	F5H044		0	TILT STOP KIT LIMITS TILTING ANGLE.
-	F5H068		0	RFI SUPPRESSION KIT PROVIDES RADIO NOISE SUPPRESSION.
-	F5H151		0	SHOCK ABSORBER KIT
-	F5H064		0	EXHAUST SNOUT FOR UNUSUAL BOAT COMBINATIONS AND MORE CLEARANCE.
-	F5H081		0	BATTERY CABLE LONGER LENGTH - 15 FEET.
-	F5H006		0	VOLTMETER - FLUSH MOUNT INDICATES BATTERY CONDITION.
-	5H047		0	CANVAS HOOD PROTECTION FOR ENGINE COVER.
-	5H051		0	BATTERY, 74 AMP 12 VOLT HEAVY DUTY BATTERY.
-	F5H021		0	EXTENSION CABLE FOR LENGTHENING BATTERY CABLE 6 1/2 FEET.
-	F5H041		0	BATTERY TERMINAL KIT ADAPTS MODEL 5H051 BATTERY TERMINALS FOR CONNECTIONS TO BATTERY CABLE ON ENGINE.
-	71H25		0	CHARGE INDICATOR LAMP GLOWS GREEN WHEN ALTERNATOR IS RECHARGING BATTERY. DO NOT USE INDICATOR LAMP AND AMMETER IN SAME INSTALLATION.
-	F5H037		0	CIGAR LIGHTER FOR USE AS CONVENIENCE OUTLET.
-	F5H008		0	FUEL GAUGE FLUSH MOUNT MONITORS FUEL SUPPLY.
-	F5H123		0	HYDRAULIC TILT HYDRAULIC UNIT TO RAISE AND LOWER THE LOWER UNIT WHEN BEACHING OR TRAILERING BOAT.
-	479		0	HEAT LAMP KIT GLOWS RED IF ENGINE OVERHEATS. DO NOT USE HEAT LAMP AND TEMPERATURE GAUGE IN SAME INSTALLATION.
-	F5H007		0	HOURLY METER RECORDS ENGINE RUNNING TIME.
-	478		0	IGNITION LAMP KIT GLOWS ORANGE WHEN IGNITION SWITCH IS IN "ON" POSITION.
-	F5H077		0	IGNITION KEY SWITCH SHORT BARREL WITH KEYS.
-	F5H078		0	IGNITION KEY SWITCH LONG BARREL WITH KEYS.
-	F762		0	REMOTE ELECTRIC CABLE 25 FOOT CABLE FOR LARGE BOATS.
-	F5H070		0	REMOTE ELECTRIC CABLE 21 FOOT CABLE FOR LARGE BOATS.
-	5H082		0	REMOTE ELECTRIC CABLE 35 FOOT CABLE FOR LARGE BOATS.
-	F5H028		0	SENDING UNIT FOR USE WITH 5H008 FUEL GAUGE.
-	F5H005		0	TEMPERATURE GAUGE FLUSH MOUNT MONITORS ENGINE TEMPERATURE. DO NOT USE TEMPERATURE GAUGE AND HEAT LAMP IN SAME INSTALLATION.

CONTINUED ON NEXT PAGE ➡

# ACCESSORIES

REF. NO.	PART NO.	SYM.	QTY.	DESCRIPTION
-	F5H012		0	TACHOMETER FLUSH MOUNT MONITORS ENGINE R.P.M. TO PROVIDE CHECK OF ENGINE PERFORMANCE.
-	F5H074		0	WATER PUMP KIT HEAVY DUTY WATER PUMP KIT.
-	F5H149		0	POWER TRIM ADJUSTS ENGINE TRIM AND TILTS ENGINE.
-	F5H002		0	SPEEDOMETER FLUSH MOUNT MONITORS BOAT SPEED (0 - 65 M.P.H.).
-	F5H004		0	SPEEDOMETER FLUSH MOUNT MONITORS BOAT SPEED (0 - 65 M.P.H.).
-	F5H115		0	TRAILERING TILT LOCK SECURES ENGINE IN HALF TILT POSITION FOR TRAILERING.
-	F5H076		0	SWITCH EXTENSION CABLE ALLOWS INSTALLATION OF IGNITION SWITCH IN 5H130 CONTROL BOX WITH 563 TERMINAL BLOCK.
-	F5H030		0	SWITCH KIT - RUNNING LIGHTS DASH MOUNTED TOGGLE SWITCH.
-	F5H031		0	SWITCH KIT - SPOT LIGHT DASH MOUNTED TOGGLE SWITCH.
-	F5H032		0	SWITCH KIT - WIPER DASH MOUNTED TOGGLE SWITCH.
-	F5H034		0	SWITCH KIT - BILGE PUMP DASH MOUNTED TOGGLE SWITCH.
-	F5H035		0	SWITCH KIT - HORN DASH MOUNTED TOGGLE SWITCH (MOMENTARY).
-	F5H036		0	SWITCH KIT - TACHOMETER TRANSFER DASH MOUNTED TOGGLE SWITCH FOR ONE TACHOMETER ON DUAL ENGINE INSTALLATION.
-	F5H038		0	SWITCH KIT - IGNITION SWITCH TO MOUNT IGNITION SWITCH ON DASH.
-	F5H039		0	SWITCH KIT - INSTRUMENT LIGHT DASH MOUNTED TOGGLE SWITCH.
-	5H139		0	SWITCH KIT - LIVEWELL FOR OPERATING PUMP IN BASSBOAT.
-	F563		0	TERMINAL BLOCK KIT DOUBLE ROW 10 SECTION TO SIMPLIFY ACCESSORY INSTALLATION.
-	479		0	UNIMOUNT UNDER DASH MOUNT FOR INDICATORS, LAMPS AND IGNITION SWITCHES.
-	F5H075		0	WIRING HARNESS - IGNITION SWITCH (24") USE WITH 563 TERMINAL BLOCK.
-	F596		0	CHRYSLER OUTBOARD OIL SEE BLOCK COMMENT 1.
-	F597		0	CHRYSLER OUTBOARD GEAR LUBE SEE BLOCK COMMENT 2.
-	72H26		0	CHRYSLER OUTBOARD FUEL AID REMOVES MOISTURE, PREVENTS SLUDGE AND VARNISH AND STABILIZES GAS. AVAILABLE IN 16 OZ. CANS AND 12 CAN CASES.
-	72H27		0	CHRYSLER OUTBOARD STORAGE LUBRICANT WORKS AS A CORROSION INHIBITOR AND PROTECTS INTERNAL ENGINE PARTS DURING STORAGE. AVAILABLE IN 16 OZ. CANS AND 12 CAN CASES.

CONTINUED ON NEXT PAGE ➡



# ACCESSORIES

REF. NO.	PART NO.	SYM.	QTY.	DESCRIPTION
-	72H28		0	CHRYSLER OUTBOARD MULTI-PURPOSE SPRAY LUBE WORKS AS A LUBRICANT, CLEANER, MOISTURE REMOVER AND ELECTRIC INSULATOR. AVAILABLE IN 9 OZ. CANS AND 12 CAN CASES.
-	F72H29		0	CHRYSLER OUTBOARD MULTI-PURPOSE GREASE LUBRICATES BEARINGS AND OTHER MOVING PARTS. AVAILABLE IN 8 OZ. TUBES AND 12 TUBE CASES.
-	F72H30		0	CHRYSLER OUTBOARD GREASE GUN USED WITH CHRYSLER OUTBOARD MULTI-PURPOSE GREASE TUBES FOR PRESSURE FITTINGS.
-	72H34		0	CHRYSLER OUTBOARD MULTI-PURPOSE CLEANER

# PARTS INDEX

Part Number	Description	Pg.	Ref. No.	Part Number	Description	Pg.	Ref. No.
ÄF58356//	REMOTE CONTROL CABLE (SPECIFY LENGTH) . . . . .	43	4	A438133	MOTOR LEG . . . . .	31	75
15169	FRAME AND FIELD ASSEMBLY . . . . .	13	9	A548391	DECAL, LEG - STARBOARD	31	-
3C548944	COVER, ENGINE - COMPLETE . . . . .	3	-	A548392	DECAL, LEG - PORT . . . . .	31	81
478	IGNITION LAMP KIT . . . . .	53	-	F10000	GASKET SET (NOT SHOWN)	19	-
479	HEAT LAMP KIT . . . . .	53	-	F10055	REPAIR PARTS KIT. . . . .	19	103
479	UNIMOUNT . . . . .	54	-	F1009	HEX BOLT, 3/8 - 16 X 2 3/4 .	25	97
480373	DECAL, MAGNAPOWER IGNITION . . . . .	7	55	F1014	COTTER PIN . . . . .	19	84
481373-1	DECAL, "ELECTRONIC" (NOT SHOWN) . . . . .	11	-	F1014	COTTER PIN . . . . .	31	56
5H047	CANVAS HOOD . . . . .	53	-	F1015	COTTER PIN, S.S. . . . . .	35	22
5H051	BATTERY, 74 AMP . . . . .	53	-	F1028	COTTER PIN, S.S. . . . . .	37	56
5H082	REMOTE ELECTRIC CABLE	53	-	F1059	FILL HD SCREW, S.S., 6 - 32 X 1/4 . . . . .	17	80
5H111	INSTRUMENT ADAPTER - 2"	52	-	F1064	FILL HD SCREW, S.S., 8 - 32 X 3/8 . . . . .	17	45
5H139	SWITCH KIT - LIVEWELL . . .	52	-	F1072	FILL HD SCREW, 1/4 - 20 X 1 3/4 . . . . .	17	59
5H139	SWITCH KIT - LIVEWELL . . .	54	-	F1099	FILL HD SCREW, 1/4 - 20 X 1 1/4 . . . . .	25	100
71H06	AMMETER FLUSH MOUNT .	52	-	F1108	FILL HD SCREW W/LOCKWASHER, 1/4 - 20 X 3/4 . . . . .	15	2
71H25	CHARGE INDICATOR LAMP	53	-	F1110	FILL HD SCREW, 1/4 - 20 X 5/8 . . . . .	25	98
72H26	CHRYSLER OUTBOARD FUEL AID . . . . .	54	-	F1199	HEX CAP SCREW, 1/4 - 20 X 1 . . . . .	21	44
72H27	CHRYSLER OUTBOARD STORAGE LUBRICANT . .	54	-	F1213	HEX CAP SCREW, 5/16 - 18 X 1 1/8 . . . . .	37	73
72H28	CHRYSLER OUTBOARD MULTI-PURPOSE SPRAY LUBE . . . . .	55	-	F1236	HEX HD SCREW, 1/4 - 20 X 1/2 . . . . .	19	91
72H34	CHRYSLER OUTBOARD MULTI-PURPOSE CLEANER . . . . .	55	-	F1238	HEX CAP SCREW, 1/4 - 20 X 3/4 . . . . .	3	14
817747--1	BALL JOINT W/STUD . . . . .	15	28	F1238	HEX HD SCREW, 1/4 - 2 X 3/4 . . . . .	21	43
817747--1	BALL JOINT W/STUD . . . . .	21	9	F1252	HEX SOCKET HD CAP SCREW, S.S., 3/8 - 16 X 1	37	57
817783A5	SWIVEL BRACKET W/BEARING AND GREASE FITTING . . . . .	31	49	F1263	HEX SOCKET HD CAP SCREW, 5/16 - 18 X 9/16 .	29	14
817786A1	DISTRIBUTOR PULLEY W/STOP NUT & WASHER	9	3	F1280	PAN HD SCREW, 8 - 32 X 1/4	5	33
817787A1	CYLINDER DRAIN COVER W/PLUG . . . . .	21	33	F1280	PAN HD SCREW, 8 - 32 X 1/4 (TERMINAL BOARD) (NOT SHOWN) . . . . .	45	-
817788A3	SPACER PLATE W/PLUGS .	23	63	F1280	PAN HEAD SCREW . . . . .	31	82
817797A2	EXHAUST OUTLET, GEAR HOUSING UPPER . . . . .	37	67	F1286	PAN HD SCREW, 4 - 40 X 3/16 . . . . .	21	31
817822A1	DISTRIBUTOR, COMPLETE.	9	-	F1341	HEX NUT, 1/4 - 20 . . . . .	21	13
817892--1	IGNITION SWITCH PLATE - CANADA (NOT SHOWN) .	7	-	F1346	HEX NUT, 3/8 - 16 . . . . .	29	21
817931A7	MOTOR LEG COVER, REAR	29	7	F1347	HEX NUT, 3/8 - 16 . . . . .	25	95
817959A3	INTAKE MANIFOLD W/PLUG	15	23	F136717	WASHER, BEVEL GEAR THRUST . . . . .	37	75
84250	BEARING CUP . . . . .	37	48	F14006-2	CAP BASE . . . . .	9	37
84903	BEARING CUP . . . . .	35	36	F14007	CAP SCREW . . . . .	9	33
85872-1	BRACKET . . . . .	23	49	F14011-1	CAP COVER . . . . .	9	34
865	REMOTE CONTROL - SURFACE MOUNT . . . . .	52	-	F14012-1	BRUSH . . . . .	9	39
89396A38	PRIME BULB . . . . .	41	9	F14015	CAP CLIP RIVET . . . . .	9	21
A2	PROPELLER SHAFT . . . . .	37	43	F14017	TERMINAL INSULATOR (OUTSIDE) . . . . .	11	46
A3	LEG COVER, FRONT . . . . .	31	66	F14020-1	CAP SEAL . . . . .	9	36
A316554	GEAR HOUSING, UPPER W/PLUG AND WASHER . .	35	19	F14024	SPACER . . . . .	11	42
				F14025	SPACER . . . . .	9	4
				F14028	THRUST WASHER . . . . .	9	5

# PARTS INDEX

Part Number	Description	Pg.	Ref. No.	Part Number	Description	Pg.	Ref. No.
F14029	THRUST WASHER	9	7	F1533	HEX BOLT, 1/4 - 20 X 7/8	21	6
F14030	CAP GASKET	9	38	F154317	CABLE CLAMP	43	23
F14036	SWIVEL	9	13	F1556	FILL HD SCREW W/LOCKWASHER, 10 - 24		
F14037	CAP CLIPS	9	14		X 3/8	21	14
F14038	CAP CLIP SCREWS	9	15	F1557	FLAT HD SCREW, 10 - 24 X		
F14040	VENT	9	35		3/8	43	25
F14041	EXTERNAL TOOTH LOCKWASHER	9	23	F1593	HEX HD SCREW, 3/8 - 16 X 3	29	18
F14042	DISTRIBUTOR HOUSING W/BEARINGS	9	12	F1612	HEX CAP SCREW, 3/8 - 16 X		
F14043	DISTRIBUTOR SHAFT	11	40		1 1/4	9	8
F14045	SCREW	9	16	F1641	LOCK NUT	13	6
F14046	TERMINAL SCREW	9	19	F1645	RD HD SCREW, 6 - 32 X 1/4	7	52
F14047	TERMINAL INSULATOR (INSIDE)	9	20	F1645	RD HD SCREW, 6 - 32 X 1/4	19	100
F14049	TERMINAL INSULATOR (OUTSIDE)	9	22	F1647	HEX NUT, 10 - 32	23	86
F14056	SCREW	11	47	F1647	HEX NUT, 8 - 32	5	6
F1447	ROUND HD SCREW, 2 X 3/16	3	19	F1647	HEX NUT, 8 - 32	9	24
F1473	HEX NUT, 10 - 24	3	36	F1648	PAN HD SCREW, 10 - 24 X		
F1475	FILL HD SCREW, 10 - 24 X 1/2	21	11		3/4	5	16
F1502	HEX CAP SCREW, 1/4 - 20 X 5/8	19	97	F1664	SPRING PIN	29	8
F1502	HEX HD SCREW, 1/4 - 20 X 5/8	13	14	F1666	BOWED SPRING WASHER	31	71
F1502	HEX HD SCREW, 1/4 - 20 X 5/8	21	39	F1669	LOCK NUT	29	36
F1502	HEX SLOT HD SCREW, 1/4 - 20 X 5/8	3	20	F1678	FILL HD SCREW, 10 - 24 X 13/16	5	2
F15034	SPRING SET	13	17	F1689	HEX HD CAP SCREW, 1/4 - 20 X 1/2	7	42
F1504	FILL HD SCREW, 1/4 - 20 X 1 1/4	17	56	F1692	WOODRUFF KEY	11	41
F1504	FILL HD SCREW, 1/4 - 20 X 1 1/4	21	12	F1693	TIE BAR RETAINER	17	46
F15057	BRUSH PLATE AND HOLDER	13	18	F1696	HEX BOLT, 5/16 - 18 X 1 3/4	29	33
F15080	SPRING	13	3	F1696	HEX BOLT, S.S., 5/16 - 18 X 1 3/4	37	66
F15099	ARMATURE	13	8	F17006	DETENT SPRING	43	18
F15100	BENDIX	13	20	F17009	BEARING	43	14
F15110	CLUTCH ASSEMBLY	13	4	F17010-1	THROTTLE GEAR	43	16
F15111	NUT, STOP RETAINING	13	1	F17011	BOWED WASHER	43	15
F15112	STOP, PINION	13	2	F17012	RETAINING PLATE	43	13
F15125	HEAD ASSEMBLY, COMMUTATOR END	13	16	F17013	FILL HD SCREW, 1/4 - 20 X 1/2	43	11
F15126	THRUST WASHER PACKAGE	13	7	F17014	THROTTLE ARM	43	10
F1513	HEX NUT	5	18	F17016	CABLE TERMINAL	43	9
F1513	HEX NUT	43	3	F17019	CLUTCH ARM	43	5
F1513	HEX NUT, 10 - 32	15	29	F17021	CLUTCH GEAR	43	19
F1513	HEX NUT, 10 - 32	21	7	F17026	SWIVEL	43	24
F1515	HEX NUT	5	24	F1703	SPRING LOCKWASHER	23	62
F1515	HEX NUT, 5/16 - 18	15	37	F1703	SPRING LOCKWASHER	31	65
F15165	BRUSH TERMINAL SET	13	10	F17030-1	SET SCREW	43	31
F15167	HEAD ASSEMBLY DRIVE END	13	5	F17031-1	SNAP CAP	43	28
F15168	THRU BOLT PACKAGE	13	12	F17036	INTERNAL TOOTH LOCKWASHER	43	6
F1528	WELCH PLUG	29	22	F1704	INTERNAL TOOTH LOCKWASHER	19	99
F1532	HEX HD SCREW, 1/4 - 20 X 1	21	35	F1705	HEX CAP SCREW, 1/4 - 20 X 3/4	5	23
				F1705	HEX CAP SCREW, S.S., 1/4 - 20 X 3/4	37	58
				F17068	DETENT SPRING	45	37
				F17071	FILL HD SCREW, 10 - 24 X 5/16	43	22
				F17082-1	DETENT BALL	45	38
				F1709	HEX HD SCREW, 1/4 - 20 X 1 1/8	23	76

# PARTS INDEX

Part Number	Description	Pg.	Ref. No.	Part Number	Description	Pg.	Ref. No.
F17092	SNAP RING	43	21	F1849	FLAT HD SCREWS, S.S., 1/4 - 20 X 1 3/8	35	2
F17099-1	HOUSING	43	36	F1849	HEX HD CAP SCREW, 1/4 - 20 X 1 3/8	3	32
F17100	CLUTCH SHAFT	43	20	F1849	HEX HD SCREW, 1/4 - 20 X 1 3/8	23	77
F17103-1	BAG ASSEMBLY (NOT SHOWN)	45	-	F1851	FILL HD SCREW W/LOCKWASHER, 10 - 24 X 1/2	5	39
F17105	FELT WASHER	43	33	F1854	HEX CAP SCREW, 1/4 - 20 X 5/8	3	25
F17106	COLLAR	43	34	F1857	HEX CAP SCREW, 5/16 - 18 X 5/8	3	23
F17111	DETENT BALL	43	17	F1857	HEX CAPSCREW, 5/16 - 18 X 5/8	3	35
F17112	JUNCTION BOARD, STARBOARD	43	26	F1858	HEX CAP SCREW, 5/16 - 18 X 1	3	24
F17113	JUNCTION BOARD, PORT	43	-	F1860	SLOTTED BINDING HD SCREW, 6 - 32 X 1/4	15	1
F17115-1	HANDLE	43	30	F1864	HEX HD SCREW, 1/4 - 20 X 3/4	25	90
F17116	KNOB	43	29	F1864	HEX SLOT HD SCREW, 1/4 - 20 X 3/4	29	4
F17113	SPRING PIN	37	42	F1867	HEX CAP SCREW, 3/8 - 16 X 1	27	19
F17146	WOOD SCREW	43	35	F1869	HEX BOLT, 3/8 - 16 X 1 1/4	23	61
F17147	INTERNAL TOOTH LOCKWASHER	43	12	F1871	HEX HD SCREW, 3/8 - 16 X 3/4	31	61
F17148	DECAL, STARBOARD	43	27	F1872	HEX BOLT, 3/8 - 16 X 1 3/4	25	99
F17149	COTTER PIN	43	8	F1873	HEX BOLT, 3/8 - 16 X 3	25	96
F1715	HEX BOLT, 1/4 - 28 X 9/16	43	7	F1877	TY-RAP	5	29
F1727	PLASTIC RIVET	21	16	F1883	HEX BOLT, 5/16 - 18 X 2 3/8	23	67
F1729	PLUG	29	5	F1885	HEX BOLT, 5/16 - 18 X 4 1/4	23	55
F1730	SCREW, PAN HD W/SPRING LOCKWASHER, 1/4 - 20 X 5/8	3	4	F1892	STOP NUT	7	53
F1733	SCREW, PAN HD, 10 - 24 X 9/16	3	2	F1904	PLAIN WASHER	29	20
F1734	FILL HD SCREW W/LOCKWASHER, 1/4 - 20 X 1/2	5	14	F1907	PLAIN WASHER	37	68
F1741	PAN HD SCREW, 8 X 3/4	5	35	F1910	STOP NUT, 1/4 - 20	15	31
F1744	SPRING PIN	29	40	F19109	PLUG	23	73
F1744	SPRING PIN	31	45	F1912	HEX HD SCREW, 10 - 24 X 1/2	31	59
F1755	RD HD SCREW W/LOCKWASHER, 6 - 32 X 5/16	15	16	F1915	HEX HD SCREW, 1/4 - 20 X 7/8	15	24
F1759	SHIM, DISTRIBUTOR (QTY. AS REQUIRED)	9	11	F1916	HEX HD SCREW, 1/4 - 20 X 1 1/8	15	25
F1760	PAN HD SCREW, 10 - 24 X 3/8	5	19	F1934	FLAT HD SLOTTED SCREW, 6 X 1/2	7	50
F1760	PAN HD SCREW, 10 - 24 X 3/8	9	25	F19342	GEAR HOUSING STUD SEAL	39	-
F1760	PAN HD SCREW, 10 - 24 X 3/8	17	60	F19342	SEAL	35	18
F1760	PAN HD SCREW, 10 - 24 X 3/8	21	2	F1936	SPACER, BEVEL GEAR FRONT .059	35	39
F1773	HEX HD SCREW, 1/4 - 20 X 1 1/2	15	26	F1937	SPACER, BEVEL GEAR FRONT .062	35	-
F177330	FUEL PUMP VALVE	15	9	F1938	SPACER, BEVEL GEAR FRONT .065	35	-
F177350	REVERSE LOCK PIN	29	41	F1939	SPACER, BEVEL GEAR FRONT .068	35	-
F1778	PLAIN WASHER	9	9	F1940	SPACER, BEVEL GEAR FRONT .071	37	-
F1778	PLAIN WASHER	35	24	F1941	SPACER, BEVEL GEAR FRONT .074	37	-
F178323	SEAL, MOTOR LEG	29	13				
F17932	SEAL, FUEL TANK ADAPTER	41	12				
F18160-2	REED	21	28				
F1822	HEX BOLT, 5/16 - 18 X 7/8	31	69				
F1832	STOP NUT, 1/4 - 20	23	59				
F1836	SPRING PIN	31	57				
F184033-1	CHOKE ARM SWIVEL	19	85				
F184579	SEAL, CHOKE ARM SWIVEL	19	82				

# PARTS INDEX

Part Number	Description	Pg.	Ref. No.	Part Number	Description	Pg.	Ref. No.
F1942	SPACER, BEVEL GEAR			F2A321158	REED PLATE W/REEDS,		
	FRONT .077	37	-		REED STOP AND SCREW	15	19
F195/	REMOTE CONTROL CABLES	52	-	F2A404757	CYLINDER DRAIN REED		
F1950	HEX HD SCREW, 10 - 24 X				PLATE W/REEDS, STOPS,		
	5/8	23	81		METERNG CP & SCRWS	21	27
F1953	HEX HD SCREW, 1/4 - 20 X 1	19	94	F2A481023	BEVEL GEAR FRONT		
F1968	FLYWHEEL NUT	27	21		W/BEARINGS	35	38
F1975	SPRING LOCKWASHER	5	10	F307317	CLIP, TERMINAL BLOCK	5	17
F1975	SPRING LOCKWASHER	9	26	F316165	STUD, GEAR HOUSING		
F197787-3	FUEL LINE COUPLER	41	6		CENTER	35	25
F197813	BEARING	31	54	F316555	GEAR HOUSING SEAL	39	-
F1987	PLAIN WASHER	23	66	F316555	SEAL	35	20
F1987	PLAIN WASHER	31	50	F316579	SEAL, CRANKCASE	27	11
F1994	HEX SOCKET HD CAP			F316599	GEAR HOUSING STUD SEAL	39	-
	SCREW, 5/16 - 18 X 1	37	69	F316599	SEAL, GEAR HOUSING		
F1997	STOP NUT, 8 - 32	15	40		STUD, FRONT	35	28
F1999	HEX CAP SCREW, 1/4 - 20 X			F316599	SEAL, STEERING SUPPORT		
	7/8	21	42		TUBE	31	79
F2000	HEX CAP SCREW, 5/16 - 18			F319908	WIRE, GROUND - CANADA	7	57
	X 3/4	7	47	F321756	PACKING	3	31
F2001	FILL HD SCREW, 10 - 24 X			F321841-3	LEAD WIRE	9	32
	5/8	5	9	F333316	THROTTLE ROLLER SHAFT	17	49
F2014	PLAIN WASHER	31	62	F335215	SPACER, PISTON PIN (2		
F2015	HEX NUT, 1/4 - 28	21	19		PER PISTON)	27	3
F2016	FILL HD SCREW, 6 - 32 X 7/8	19	101	F335217-1	BEARING PISTON PIN (26		
F2030	HEX HD SCREW, 1/4 - 20 X 1				PER SET)	27	5
	1/4	31	70	F335654-1	STOP, DEFLECTION	3	21
F203276	BOOT	9	30	F338618-1	GEAR SHIFT ROD SEAL	39	-
F2033	GROOVE PIN	19	87	F338618-1	SEAL, GEAR SHIFT ROD	29	16
F203673	TERMINAL CLIP	9	31	F338618-1	SEAL, GEAR SHIFT ROD	35	13
F2042	PLAIN WASHER	21	5	F345475-1	COIL	7	44
F2042	PLAIN WASHER	25	105	F345683	WIRE, REGULATOR-		
F2047	WAVE WASHER	3	30		RECTIFIER GROUND	5	5
F2066	PAN HEAD TAPPING			F351307	SEAL, WATER PUMP	35	11
	SCREW, 10 X 7/16	3	38	F353480	STUD	29	25
F2067	PLASTISOL CAP (NOT			F369349	REVERSE LOCK	29	37
	SHOWN) FOR EXPOSED			F369364	REVERSE LOCK ARM	31	52
	THREADS OF			F369510	LINK	29	39
	CRANKSHAFT	27	-	F369529	CYLINDER HEAD GASKET	23	74
F2088	FASTENER	3	7	F369529	CYLINDER HEAD GASKET	25	-
F2089	SLOTTED PAN HD MACHINE			F369562	PLATE, BACK	39	-
	SCREW, 10 - 24 X 5/16	25	101	F369562	WATER PUMP BACK PLATE	35	6
F2090	PLUG	23	64	F369610	BEARING	23	53
F2093	NUT (30824 S.S.)	31	85	F369827	HANDLE AND SHAFT	31	53
F2108	LOCK NUT, 5/16 - 18	31	73	F369887	SHOULDER SCREW	23	52
F2108	STOP NUT, 5/16 - 18	23	58	F369977-1	INTERLOCK ARM	23	54
F213274	GREASE FITTING	9	27	F373778-1	RETAINER, ENGINE COVER	3	37
F213274	GREASE FITTING	29	32	F381896-4	BATTERY CABLE	5	30
F213342	SEAL, FUEL LINE COUPLER			F381899	GROMMET, WATER LINE	37	61
	(LARGE)	41	4	F384143	BEARING, BEVEL GEAR		
F213735	SEAL, FUEL LINE COUPLER				REAR	37	45
	(SMALL)	41	5	F391926-1	CHOKE SOLENOID		
F235785	DECAL, COMPLIANCE -				PLUNGER	19	89
	CANADA (NOT SHOWN)	7	-	F391983	RETAINING BAND	5	27
F269319	BEARING	15	32	F40209	CARBURETOR STUD	15	36
F284659-2	CRANKSHAFT THRUST			F40223	GASKET, TRANSFER PORT		
	BEARING UPPER	27	22		COVER	21	41
F286461	SPRING LOCK BAR HANDLE	29	43	F40223	TRANSFER PORT COVER		
F289446-1	CLAMP	5	12		GASKET	25	-
F298788	FERRULE	41	7	F40342	SEAL, PROPELLER NUT	37	54

# PARTS INDEX

Part Number	Description	Pg.	Ref. No.	Part Number	Description	Pg.	Ref. No.
F404097	FLYWHEEL	5	1	F481662	BEVEL GEAR, REAR	37	46
F404268	SPRING, BY-PASS VALVE	23	84	F481774	BRACKET, ENGINE COVER		
F404470-1	REGULATOR-RECTIFIER	5	8		LATCH	3	9
F404513	COIL CLAMP	5	40	F481777	CAM, LATCH SHAFT	3	28
F404801	FITTING	21	36	F481836	INTAKE GASKET	17	70
F404841	CABLE, HEAT INDICATOR	5	37	F481836	INTAKE GASKET	25	-
F40689-1	BEARING, TOWERSHAFT	23	60	F481860-1	CARBURETOR, INTAKE	17	57
F407446	CLAMP	5	31	F483884	BEARING	31	58
F409251-1	GAUGE CAP	41	1	F485755-1	FUEL TANK ADAPTER	41	3
F433114	HANDLE, LOCK BAR	29	44	F498618	GEAR SHIFT ARM PIN	39	-
F433209-1	STUD	15	30	F498618	SEAL	35	31
F433253	HOSE	21	37	F498891	PIN, GEAR SHIFT ARM	35	30
F438065	IMPELLER	39	-	F499995	CYLINDER HEAD COVER	23	68
F438066	BY-PASS VALVE COVER	23	82	F50109	PLUG, GEAR HOUSING	35	14
F438077	SCREEN, WATER INLET	37	70	F510374	DECAL, CIRCUIT BREAKER -		
F438129	SEAL, DRIVESHAFT SPLINE	35	12		USA	5	41
F438165	SCREW, FUEL PUMP BOWL	15	15	F510460	CIRCUIT BREAKER	5	22
F438169	BEARING	29	34	F511125-2	TUBE, STEERING SUPPORT	29	23
F438271	RETAINER, CRANKSHAFT			F511675	STARTER BRACKET,		
	SPLINE SEAL	35	4		LOWER	13	15
F438346	SHOCK MOUNT, LOWER	31	67	F523146	SEAL, CRANKSHAFT		
F438398	DECAL, WIRING - USA	23	75		LOWER	27	13
F438500	FUEL SEDIMENT BOWL	15	14	F523273	STEERING BALL STUD	33	89
F438617	FUEL SEDIMENT BOWL			F523274	GREASE FITTING	31	78
	GASKET	15	13	F523280	NUT, STEERING SUPPORT		
F438653	FUEL SEDIMENT BOWL				TUBE	31	77
	SCREEN	15	12	F523300-1	SPRING STEERING LINK	31	84
F438668	RETAINER, CABLE CLAMP	5	13	F523834	CLIP, SPARK PLUG WIRE	21	3
F438744-1	WIRING HARNESS	5	4	F523881-2	LINK STEERING	33	87
F438747	FUEL PUMP DIAPHRAGM	15	7	F523930	RETAINER	33	88
F438754	FUEL LINE	17	79	F523962	SHOCK MOUNT - C.D. UNIT	7	46
F438760	FUEL PUMP GASKET	15	8	F528068	THERMOSTAT	23	70
F438801	FITTING	15	5	F530160	REED (5 PETAL)	15	18
F438841-1	LEAD WIRE - CANADA	9	-	F531892	DECAL, PORT	43	-
F438905	COIL WIRE - CANADA	9	-	F53504	GROMMET	17	58
F438930	RETAINER, SNOUT	37	71	F545189	BUSHING, CABLE ENTRY	3	17
F438962	SHOCK MOUNT SLIDE	29	15	F548984	BLANKET, SILENCER - TOP		
F439736	SEAL EXHAUST TUBE	29	6		(NOT SHOWN)	3	-
F460917	STARTER RELAY	5	26	F548985	BLANKET, SILENCER - SIDE		
F474073-1	CLAMP SCREW	29	26		(NOT SHOWN)	3	-
F474387	TIMING DECAL - USA	7	56	F549061	CARBURETOR COMPLETE		
F474390-1	DECAL, REVERSE LOCK -				(WB26B)	17	72
	USA	31	80	F549189	BUSHING, ELECTRIC CABLE	3	16
F476066-1	COVER, THERMOSTAT	23	47	F563	TERMINAL BLOCK KIT	54	-
F476067	GASKET, THERMOSTAT			F58685-2	CONNECTOR, SHIFT CABLE	43	2
	COVER	25	94	F590	REMOTE CONTROL - FLUSH		
F476067	THERMOSTAT COVER				MOUNT	52	-
	GASKET	25	-	F596	CHRYSLER OUTBOARD OIL	54	-
F480038-2	PLATE, SUPPORT	3	15	F597	CHRYSLER OUTBOARD		
F480107-1	CAM, STARTER INTERLOCK	25	102		GEAR LUBE	54	-
F480388	DISC, WATER PUMP			F5H002	SPEEDOMETER FLUSH		
	LOCATING	37	74		MOUNT	54	-
F480518	CYLINDER HEAD	23	72	F5H004	SPEEDOMETER FLUSH		
F480551-1	BRACKET INTERLOCK				MOUNT	54	-
	SWITCH	19	95	F5H005	TEMPERATURE GAUGE		
F480818	BEARING, LATCH SHAFT	3	13		FLUSH MOUNT	53	-
F481382-1	SPACER, LATCH SHAFT	3	29	F5H006	VOLTMETER - FLUSH		
F481434	GUIDE, ENGINE COVER	3	8		MOUNT	53	-
F481567	CARBURETOR INTAKE			F5H007	HOURLMETER	53	-
	ADAPTER	17	55				

# PARTS INDEX

Part Number	Description	Pg.	Ref. No.	Part Number	Description	Pg.	Ref. No.
F5H010	POWER TRIM INDICATOR . . .	53	-	F5H115	TRAILERING TILT LOCK . . .	54	-
F5H012	TACHOMETER FLUSH MOUNT . . . . .	54	-	F5H120	REMOTE CONTROL BACK PLATE . . . . .	52	-
F5H018	DUAL STEERING CONNECTOR . . . . .	52	-	F5H123	HYDRAULIC TILT . . . . .	53	-
F5H019	ANTI-CORROSION KIT . . . .	52	-	F5H130	REMOTE CONTROL - SURFACE MOUNT . . . . .	52	-
F5H021	EXTENSION CABLE . . . . .	53	-	F5H131	PORT SIDE DECAL KIT . . . .	52	-
F5H025	ANTI-CORROSION SACRIFICIAL ANODE . . . .	53	-	F5H132	REMOTE CONTROL HANDLE TRIM SWITCH . . . . .	52	-
F5H026	FUEL TANK (ACCESSORY ITEM) . . . . .	41	2	F5H134	BOAT WHITE LACQUER . . . .	53	-
F5H026	STEEL, 6 GALLON FUEL TANK (LOW PROFILE) . . . .	52	-	F5H149	POWER TRIM . . . . .	54	-
F5H028	SENDING UNIT . . . . .	53	-	F5H151	SHOCK ABSORBER KIT . . . .	53	-
F5H029	TANK ANCHOR . . . . .	52	-	F63754	HOSE INTAKE DRAIN . . . . .	17	63
F5H030	SWITCH KIT - RUNNING LIGHTS . . . . .	54	-	F7004	STOP NUT, 3/18 - 16 . . . . .	21	24
F5H031	SWITCH KIT - SPOT LIGHT . .	54	-	F7012	LOCK NUT, 1/2 - 20 . . . . .	29	17
F5H032	SWITCH KIT - WIPER . . . . .	54	-	F7013	STOP NUT . . . . .	9	2
F5H034	SWITCH KIT - BILGE PUMP . .	54	-	F7025	HEX NUT, 3/8 - 16 . . . . .	35	16
F5H035	SWITCH KIT - HORN . . . . .	54	-	F72H29	CHRYSLER OUTBOARD MULTI-PURPOSE GREASE . . .	55	-
F5H036	SWITCH KIT - TACHOMETER TRANSFER . . . . .	54	-	F72H30	CHRYSLER OUTBOARD GREASE GUN . . . . .	55	-
F5H037	CIGAR LIGHTER . . . . .	53	-	F762	REMOTE ELECTRIC CABLE . .	53	-
F5H038	IGNITION SWITCH MOUNTING KIT (ACCESSORY ITEM) . . . . .	7	49	F8003	PLAIN WASHER . . . . .	21	30
F5H038	SWITCH KIT - IGNITION SWITCH . . . . .	54	-	F8011	PLAIN WASHER . . . . .	5	20
F5H039	SWITCH KIT - INSTRUMENT LIGHT . . . . .	54	-	F8026	PLAIN WASHER . . . . .	19	104
F5H040	STEEL, 12 GALLON FUEL TANK . . . . .	52	-	F8028	PLAIN WASHER . . . . .	13	13
F5H041	BATTERY CABLE CLAMP KIT. (ACCESSORY ITEM) . . .	5	32	F8038	PLAIN WASHER . . . . .	25	103
F5H041	BATTERY TERMINAL KIT . . .	53	-	F8038	PLAIN WASHER . . . . .	33	86
F5H043	OVERHEAT BUZZER . . . . .	53	-	F8056	LOCKWASHER . . . . .	9	18
F5H043	OVERHEAT BUZZER (ACCESSORY ITEM) . . . . .	5	36	F8056	LOCKWASHER . . . . .	11	43
F5H044	TILT STOP KIT . . . . .	53	-	F8056	SPRING LOCKWASHER . . . .	5	7
F5H064	EXHAUST SNOOT . . . . .	53	-	F8056	SPRING LOCKWASHER . . . .	23	87
F5H068	RFI SUPPRESSION KIT . . . .	53	-	F8058	INTERNAL TOOTH LOCKWASHER . . . . .	15	27
F5H070	REMOTE ELECTRIC CABLE . . .	53	-	F8058	INTERNAL TOOTH LOCKWASHER . . . . .	23	48
F5H074	WATER PUMP KIT . . . . .	54	-	F8077	WASHER . . . . .	39	-
F5H075	WIRING HARNESS - IGNITION SWITCH (24") . . .	54	-	F8077	WASHER, GEAR HOUSING PLUG . . . . .	35	15
F5H076	SWITCH EXTENSION CABLE . .	54	-	F8080	SPRING LOCKWASHER . . . .	31	83
F5H077	IGNITION KEY SWITCH . . . .	53	-	F8083	LOCKWASHER . . . . .	3	26
F5H078	IGNITION KEY SWITCH . . . .	53	-	F8083	SPRING LOCKWASHER . . . .	7	43
F5H078	IGNITION SWITCH (LONG BARREL) W/KEYS AND SCREWS . . . . .	5	34	F8083	SPRING LOCKWASHER . . . .	29	3
F5H079	SINGLE REMOTE CONTROL BOX . . . . .	52	-	F8088	PLAIN WASHER . . . . .	19	102
F5H080	TWIN REMOTE CONTROL BOX . . . . .	52	-	F8088	PLAIN WASHER . . . . .	19	83
F5H081	BATTERY CABLE . . . . .	53	-	F8094	PLAIN WASHER . . . . .	31	55
F5H094	STEERING LINK KIT . . . . .	52	-	F8094	WASHER; PLAIN . . . . .	3	27
F5H108	STEERING CONNECTOR . . . .	52	-	F8095	PLAIN WASHER . . . . .	25	104
				F8096	LOCKWASHER . . . . .	3	22
				F8096	LOCKWASHER . . . . .	3	34
				F8096	SPRING LOCKWASHER . . . .	5	25
				F8096	SPRING LOCKWASHER . . . .	31	68
				F8096	SPRING LOCKWASHER, S.S. .	37	65
				F84008-4	STUD, GEAR HOUSING, REAR . . . . .	35	37
				F84011	WASHER . . . . .	31	51
				F84031	GASKET . . . . .	39	-
				F84031	GASKET, WATER PUMP . . . .	35	7
				F84065	WATER PUMP IMPELLER . . .	35	5
				F84074	CLAMP SCREW FOOT . . . . .	29	24

# PARTS INDEX

Part Number	Description	Pg.	Ref. No.	Part Number	Description	Pg.	Ref. No.
F84118	PROP SHAFT SEAL	39	-	F85173	RETAINING RING	9	6
F84118	SEAL, PROPELLER SHAFT	37	51	F85192-1	THROTTLE CAM	15	33
F84146-2	SEAL	27	20	F85210	STUD	25	91
F84173	RETAINING RING	35	9	F85211	STUD, REAR	21	46
F84215	SPACER	35	17	F85244	INLET WATER LINE	37	62
F84278	CRANKSHAFT BRG. CAGE			F85253-1	FUEL LINE	19	88
	SEAL	25	-	F85258	INSERT	29	10
F84278	SEAL, CRANKSHAFT			F85279-2	CYLINDER EXHAUST		
	BEARING CAGE	27	17		GASKET, UPPER	23	51
F84286-1	FRICITION WASHER	31	47	F85279-2	CYLINDER, EXHAUST -		
F84305	PROP SHAFT BEARING				UPPER GASKET	25	-
	CAGE SEAL	39	-	F85300	REVERSE LOCK SPRING	29	38
F84305	SEAL, PROPELLER SHAFT			F85311	DISTRIBUTOR BELT	9	1
	BEARING CAGE	37	50	F85314-1	FUEL FITTING	19	92
F84307-1	DRIVESHAFT SEAL	39	-	F85317-1	CLAMP	19	90
F84307-1	SEAL, DRIVESHAFT	35	8	F85350-1	TILT STOP PIVOT	29	29
F84314-2	ELBOW	15	3	F85372	PIN, GEAR SHIFT ROD		
F84314-2	ELBOW	21	22		LOWER	35	21
F84342	SEAL, INLET WATER LINE,			F8538	SPRING PIN	29	27
	UPPER	37	60	F85380	SPRING	29	11
F84449	INTERLOCK SWITCH	19	98	F85410	SNAP RING	27	8
F84504	GROMMET	23	71	F85426	TILT STOP	31	48
F84504	THERMOSTAT GROMMET	25	-	F85445	DISTRIBUTOR CONTROL		
F84521-1	CLUTCH	37	41		ROD	21	18
F84717	THRUST WASHER, BEVEL			F85472-2	CYLINDER DRAIN COVER		
	GEAR, REAR	37	72		GASKET	25	-
F84792	GASKET, FUEL PUMP			F85472-2	GASKET, CYLINDER DRAIN		
	VALVE	15	10		COVER	21	32
F84871-1	PIN, GEAR SHIFT	37	40	F85498	FLYWHEEL KEY	27	16
F85006-1	STUD, GEAR HOUSING,			F85502	THROTTLE LINK	21	8
	FRONT	35	27	F85509-1	CHOKE LINK	17	78
F85012	PILOT, GEAR HOUSING	35	29	F85541-1	TILT LOCK	29	30
F85017	PISTON PIN	27	4	F85571	BEARING CAGE W/ROLLER	27	10
F85026	SWIVEL	21	21	F85606	KINGPIN CAP	29	31
F85033	CHOKE ROD SWIVEL	17	81	F85610	BEARING	23	56
F85035	DISTRIBUTOR CONTROL			F85615	GEAR SHIFT ROD UPPER	31	72
	ROD END	21	20	F8563	DOWEL PIN	25	92
F85036	TOWERSHAFT CONTROL			F85634-2	CONNECTING ROD SCREW	27	14
	ROD END	21	17	F85660-1	EXHAUST TUBE	29	2
F85037-1	STERN BRACKET PIVOT			F85664	DISTRIBUTOR GROUND	9	28
	BOLT	31	46	F85664	WIRE, DISTRIBUTOR		
F85095-2	STATOR	5	3		GROUND	7	51
F85117	BRACKET, WATER LINE	37	59	F85704	COUPLER, GEARSHIFT ROD		
F85122	CRANKCASE SEAL	25	-		UPPER	31	76
F85122	PARTING LINE SEAL	25	93	F85705-1	GEAR SHIFT ROD, LOWER	35	23
F85130	BOOT, IDLE EXHAUST	29	9	F85748-2	CYLINDER DRAIN REED		
F85151-1	EXHAUST PORT PLATE	23	80		PLATE GASKET	25	-
F85152-4	EXHAUST PORT COVER	23	78	F85748-2	GASKET, CYLINDER DRAIN		
F85154-1	EXHAUST PORT PLATE				REED PLATE	21	25
	GASKET	25	-	F85762	BY-PASS VALVE PLATE		
F85154-1	GASKET, EXHAUST PORT				GASKET	25	-
	PLATE	23	79	F85762	GASKET, BY-PASS VALVE	23	83
F85159	GASKET, INTAKE MANIFOLD	15	22	F85772	CLAMP	29	12
F85159	MANIFOLD GASKET	25	-	F85779-1	BAFFLE, AIR INTAKE	31	60
F85161-1	REED STOP	15	17	F85843-1	REMOTE ELECTRIC CABLE,		
F85162	REED PLATE ADAPTER	15	21		18 FEET	5	38
F85168	CARBURETOR ADAPTER			F85859	STUD, FORWARD	21	23
	FLANGE GASKET	25	-	F85906	CARBURETOR GASKET	15	35
F85168	GASKET REED PLATE			F85906	CARBURETOR GASKET	25	-
	ADAPTER	15	20	F85908	STARTER LEAD WIRE	13	19



# PARTS INDEX

Part Number	Description	Pg.	Ref. No.	Part Number	Description	Pg.	Ref. No.
F85916-1	BY-PASS VALVE	23	85	FA510497	TERMINAL BLOCK	5	15
F85924	CHOKE SOLENOID	5	28	FA511188	NUT, BEVEL PINION		
F85925	CHOKE ROD	19	86		RETAINING	35	33
F85965	SHOCK MOUNT, UPPER	31	64	FA523014	CRANKSHAFT LOWER MAIN		
F861	FLUSHING ADAPTER	52	-		BEARING W/SEAL	27	12
F89758	FUEL PUMP AIR HOSE, TOP	15	4	FA523735	SEAL, INLET WATER LINE,		
F9018	CAP	29	28		LOWER	35	1
F9022	SHIM, PROPELLER SHAFT			FA538395	IDENTIFICATION PLATE,		
	BEARING CAGE .006"				W/SCREWS	3	18
	(SILVER)	37	-	FA548180	TRIM, REAR	3	5
F9023	SHIM, PROPELLER SHAFT			FA548396	DECAL, ENGINE COVER -		
	BEARING CAGE .007"				STARBOARD	3	-
	(BRASS)	37	-	FA548397	DECAL, ENGINE COVER -		
F9024	SHIM, PROPELLER SHAFT				PORT	3	11
	BEARING CAGE .010"			FA548888	TRIM, FRONT	3	39
	(BLACK)	37	-	FA549944	COVER, ENGINE		
F9038	DRIVE KEY, WATER PUMP	37	64		W/RETAINER	3	6
F9038	WOODRUFF KEY	39	-	FA58976-1	CONNECTOR, THROTTLE		
F9052	PLUG	31	74		CABLE	43	1
F90619-1	YOKE	39	76	FA84225	BEARING W/CUP	37	47
F90807	RETAINING RING	17	47	FA84298-3	PROPELLER SHAFT		
F91446-1	CIRCUIT BREAKER				BEARING CAGE	37	52
	BRACKET	5	21	FA84621-1	COUPLING, GEAR SHIFT		
F92759	THROTTLE ROLLER	17	48		ARM W/BUSHING	35	26
F93811	SCREEN	21	26	FA84754-1	FUEL LINE SHORT		
F93920	REED STOP	21	29		W/FERRULES	41	8
F97772	FUEL LINE CLAMP	41	11	FA85018-2	CRANKSHAFT W/BEARING	27	15
F97772	HOSE CLAMP	17	62	FA85019	KINGPIN W/PLUG	29	35
F98273	ROD END CONNECTOR			FA85193	TIE BAR END W/SWIVEL	15	43
	STUD	23	50	FA85355-1	WASHER SHOCK MOUNT		
FA14048-2	PREAMPLIFIER	9	17		UPPER	31	63
FA15072	HEX LOCK NUT, 1/4 - 20	13	11	FA85511	THROTTLE TIE BAR		
FA321574	DISTRIBUTOR BRACKET	9	10		W/SWIVEL	17	44
FA335260	PISTON RING SET (2 PER			FA85655-1	CRANKSHAFT MAIN		
	SET) STANDARD	27	1		BEARING RACE W/SNAP		
FA368700	KEY, IGNITION - NO LETTER				RING	27	9
	OR STAMPED A	7	54	FA85838-5	TOWERSHAFT		
FA40901	BEARING, DRIVESHAFT				W/BEARINGS, SWIVEL,		
	W/CUP	35	10		ARMS AND SCREWS	21	10
FA411222	TRANSFER PORT COVER			FB368700	KEY IGNITION - STAMPED B	7	-
	W/PLUG	21	40	FC368700	KEY IGNITION - STAMPED C	7	-
FA438113	STERN BRACKET LOCK BAR			FC409398	DECAL, TOTE TANK -		
	W/HANDLE	29	42		CANADA (NOT SHOWN)	41	-
FA438431	FUEL PUMP BODY			FC438398	DECAL WIRING - CANADA	23	-
	W/VALVES	15	11	FC474387	TIMING DECAL - CANADA	7	-
FA438493	TERMINAL BLOCK BRACKET	5	11	FC481054	GEAR HOUSING		
FA439746	FUEL PUMP COVER				COMPLETE.	35	-
	W/PLUG	15	6	FC499390	DECAL, STARTER (CANADA)		
FA480179	TRIM, TOP	3	1		NOT SHOWN	13	-
FA480269	HANDLE, TILT	3	3	FC510374	DECAL, CIRCUIT BREAKER -		
FA480876	GEAR SHIFT ARM				CANADA	7	-
	W/SWIVEL, INTERLOCK			FC522227	SPARK PLUG (CHAMPION		
	ARM AND BEARINGS	23	57		QUL-77V) FOR CANADA	23	-
FA480894	TIMING POINTER	21	1	FD368700	KEY IGNITION - STAMPED D	7	-
FA481266	BEVEL PINION GEAR			FE368700	KEY IGNITION - STAMPED E	7	-
	W/BEARING AND CUP	35	35	FG1020	GASKET SET	25	106
FA481469	LATCH HANDLE, ENGINE			FK1033-1	WATER PUMP KIT	39	78
	COVER W/SHAFT	3	12	FK1061	SEAL KIT.	39	77
FA481743	LATCH, ROLLER BRACKET			FK17114-1	INDICATOR	43	32
	W/ROLLER	3	33	FK280	PROPELLER PIN	37	44

# PARTS INDEX

Part Number	Description	Pg.	Ref. No.	Part Number	Description	Pg.	Ref. No.
FK405020	SWIVEL W/PIVOT SCREW AND NUT	21	15	FT2962-1	SEALANT - 50 CC LOCTITE H, NON-HARDENING GRADE	50	-
FK500060	WATER PUMP BODY	35	3	FT2963-1	SEALANT - 2 OZ. LOCTITE D, HARDENING GRADE	50	-
FK500060	WATER PUMP KIT	39	-	FT2987-1	LUBRICANT - ANTI-SEIZE	50	-
FK750-3	SPARKIE	11	44	FT2990	PISTON PIN TOOL	47	-
FK85128-1	DRIVESHAFT	37	63	FT2995	BEARING CUP INSTALLER	48	-
FK85228	BEARING CAGE W/ROLLER	27	7	FT2996	RING COMPRESSOR	47	-
FO10165	INLET SEAT GASKET	17	75	FT3012	SEAL INSTALLER	48	-
FO10588	BODY CHANNEL CUP PLUG	15	39	FT8901	INDICATOR HOLDER	48	-
FO10790	INLET NEEDLE, SEAT AND GASKET	17	76	FT8902	DIAL INDICATOR	48	-
FO11103	IDLE SCREW SPRING	17	53	FT8903	SEAL INSTALLER	47	-
FO13552	FUEL BOWL	17	67	FT8905	BEARING REMOVER	48	-
FO13554	FLOAT	17	69	FT8906	BEARING SUPPORT	48	-
FO13944	FLOAT LEVER PIN	17	68	FT8907	DRIVE HANDLE	47	-
FO13945	FUEL BOWL RETAINING SCREW	17	65	FT8907	DRIVER HANDLE	48	-
FO13966	IDLE TUBE	15	34	FT8908	SEAL INSTALLER	48	-
FO14166	IDLE SCREW	17	54	FT8909	BEARING CUP INSTALLER	48	-
FO14167	THROTTLE SHUTTER	15	42	FT8910	BEARING CUP INSTALLER	48	-
FO14186	MAIN FUEL JET (.060) OPT. 1500 FT. - 3000 FT.	17	-	FT8911	DRIVESHAFT KNOCK-OFF NUT	48	-
FO14187	MAIN FUEL JET (.062) STD. SEA LEVEL - 1500 FT.	17	52	FT8914	SEAL REMOVER	47	-
FO14471	CHOKE SHUTTER	17	77	FT8915	SEAL PROTECTOR	48	-
FO15209	MAIN NOZZLE	19	93	FT8916	BEARING INSTALLER	48	-
FO15230	THROTTLE SHAFT AND LEVER	17	50	FT8917	BEARING CUP REMOVER	48	-
FO15337	MAIN FUEL JET (.058) OPT. 3000 FT. - 4500 FT.	17	-	FT8918	BEARING GUIDE SET	48	-
FO15338	MAIN FUEL JET (.056) OPT. 4500 FT. - 6000 FT.	17	-	FT8919	SPRING PIN PUNCH	48	-
FO15339	MAIN FUEL JET (.054) OPT. 6000 FT. & UP.	17	-	FT8920	BEARING INSTALLER	48	-
FO15623	FUEL BOWL GASKET	17	71	FT8922	SLIDE HAMMER	48	-
FO16008	THROTTLE SHAFT RETURN SPRING	17	51	FT8924-1	CHECKING GAUGE	48	-
FO16397	CHOKE SHAFT RETURN SPRING	17	73	FT8925	SEAL INSTALLER	47	-
FO16850	CHOKE SHAFT AND LEVER	17	74	FT8925	SEAL INSTALLER	48	-
FO2510	GASKET, FUEL BOWL RETAINING SCREW	17	66	FT8926	RING EXPANDER	47	-
FO4326	BODY CHANNEL WELCH PLUG	15	38	FT8927	SEAL PROTECTOR	47	-
FO8942	SHUTTER SCREW W/LOCKWASHER	15	41	FT8933	LIFTING HOOK	47	-
FO8942	THROTTLE SHUTTER SCREW AND LOCKWASHER	19	96	FT8935	SEALANT PRIMER - 6 OZ.	50	-
FP372	PROPELLER (ACCESSORY ITEM)	37	53	FT8936	SEALANT - 2 CC LOCTITE RETAINING COMPOUND #75	50	-
FS409752	FUEL LINE COMPLETE.	41	-	FT8948-1	PULLER	46	-
FS480955	STARTER COMPLETE.	13	-	FT8948-1	PULLER	48	-
FSA335260	PISTON RINGS (2 PER SET) .010 OVERSIZE	27	-	FT8950	LEAKAGE TESTER	49	-
FT1081	SNAP RING PLIER	48	-	FT8953	IGNITION TESTER	49	-
FT1082	SNAP RING PLIER	47	-	FT8955	SEALANT - 5 OZ. EC-750 INDUSTRIAL SEALANT	50	-
FT2951	CIRCUIT TRACER	46	-	FT8957	SEAL INSTALLER	48	-
FT2953	SOCKET	47	-	FT8969	LUBRICANT - 7 OZ. 2 PSI LUBRICANT	50	-
FT2961	LUBRICANT - RYKON #2EP	50	-	FT8978	TIMING LIGHT	46	-
				FT8993	SEALANT - 3 OZ. RTV SEALANT FROM IN PLACE GASKETS	50	-
				FTA2937-1	TIMING TOOL	46	-
				FTA8981	SPACER KIT	48	-
				FTA8991	TEST WHEEL	49	-
				OB3061	LITERATURE. INSTALLATION INSTRUCTIONS FOR REMOTE CONTROL	45	-

# PARTS INDEX

Part Number	Description	Pg.	Ref. No.	Part Number	Description	Pg.	Ref. No.
T11211	BOAT WHITE .....	51	-				
T11212	BOAT BLACK .....	51	-				
T11230	ORANGE .....	51	-				
T11233	MEDIUM METALLIC SILVER	51	-				
T11236	METALIC SILVER .....	51	-				
11-817784A1	PROPELLER NUT						
	W/COTTER PIN AND SEAL	37	55				
22-817789A1	DRAIN FITTING .....	17	64				
22-818103--1	ELBOW .....	17	61				
31-817785A2	CRANKSHAFT BEARING						
	CAGE W/SEAL .....	27	18				
32-817738A1	FUEL LINE LONG W/CLAMP						
	AND FERRULE .....	41	10				
33-97180	SPARK PLUG (CHAMPION L-20-V) .....	23	65				
37-819450	DECAL, REVERSE LOCK - CANADA .....	31	-				
39-818110A1	PISTON RINGS (2 PER SET) .030 OVERSIZE .....	27	-				
84-817775A1	COIL WIRE W/TERMINAL CLIP - USA .....	9	29				
87-817778A1	THERMOSWITCH .....	25	88				
300-817855A1	UNIT .....	7	45				
600-818052A4	CONNECTING ROD W/CAP AND SCREWS .....	27	6				
700-817988A2	PISTON .010 OVERSIZE ...	27	-				
700-818111A2	PISTON .030 OVERSIZE ...	27	-				
700-F372015-3	PISTON (STANDARD) .....	27	2				
1400-817958A6	STERN BRACKET .....	29	19				
1600-817767A2	GEAR HOUSING LOWER W/PLUG AND WASHER ..	35	32				