



PARTS CATALOG

3.5 HP

SERIAL NUMBER

3.5 (1981) 32H1D

TABLE OF CONTENTS:

ACCESSORIES	27
CARBURETOR & REED PLATE	8
FUEL TANK	2
GEAR HOUSING	18
MAGNETO	6
MOTOR LEG	16
PARTS INDEX	28
POWER HEAD	12
SPECIAL TOOLS - LOWER UNIT	24
SPECIAL TOOLS - LUBRICANTS AND SEALANTS	26
SPECIAL TOOLS - POWER HEAD	23
SPECIAL TOOLS - TEST EQUIPMENT	25
SPECIAL TOOLS - TUNE-UP	22
STARTER	4

NOTE: *Indented description indicate that these parts are included in preceeding assembly.*

AR = As Required

NSS = Not Sold Separate

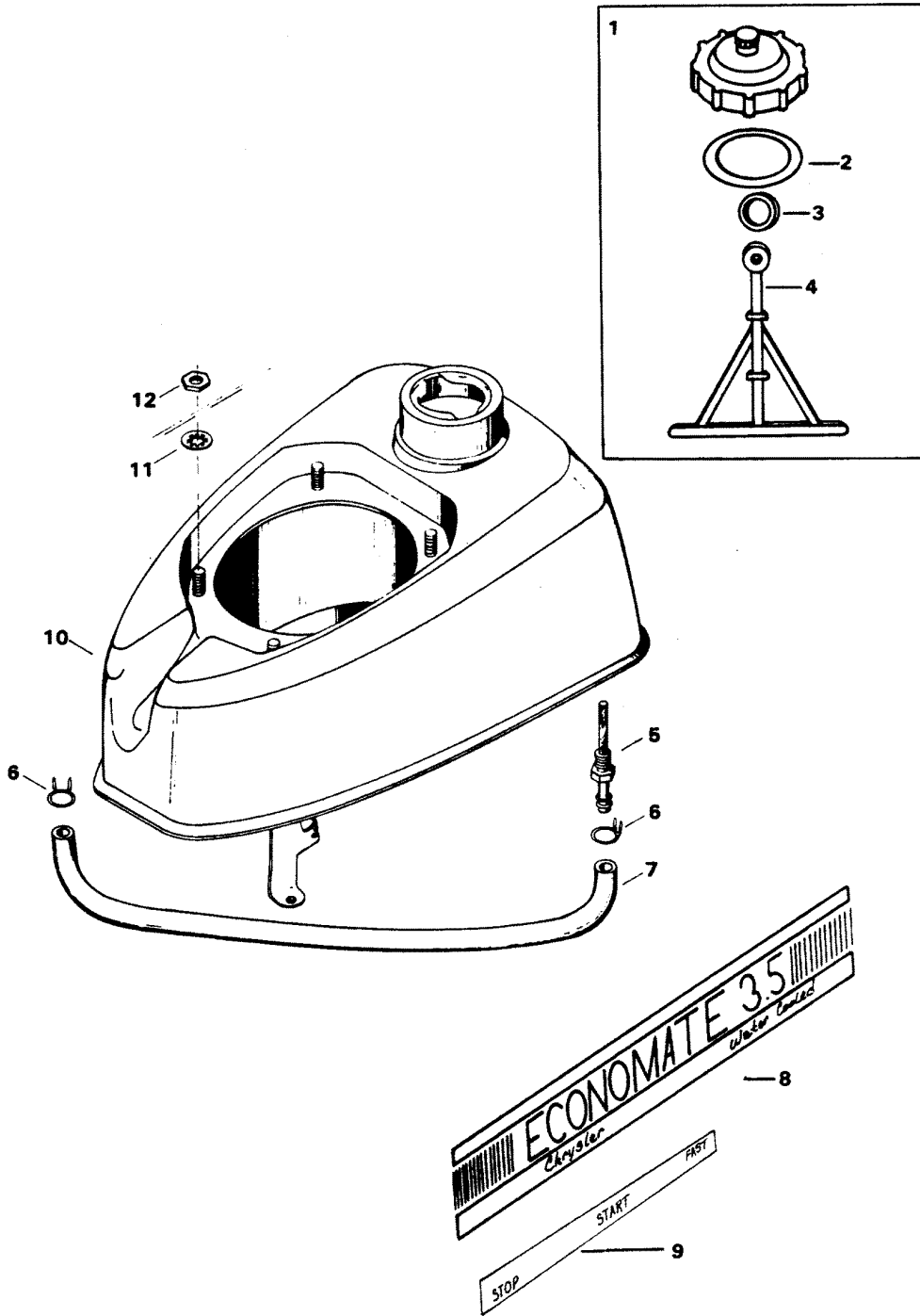
OPT = Optional

NS = Not Shown

THESE PARTS BOOKS/FICHE CARD ARE COPYRIGHTED AND MAY NOT BE DISTRIBUTED OR REPRODUCED IN ANY OTHER FORMAT BY ANYONE OTHER THAN MERCURY MARINE WITHOUT THE PRIOR WRITTEN CONSENT OF MERCURY MARINE.

THIS PAGE INTENTIONALLY LEFT BLANK

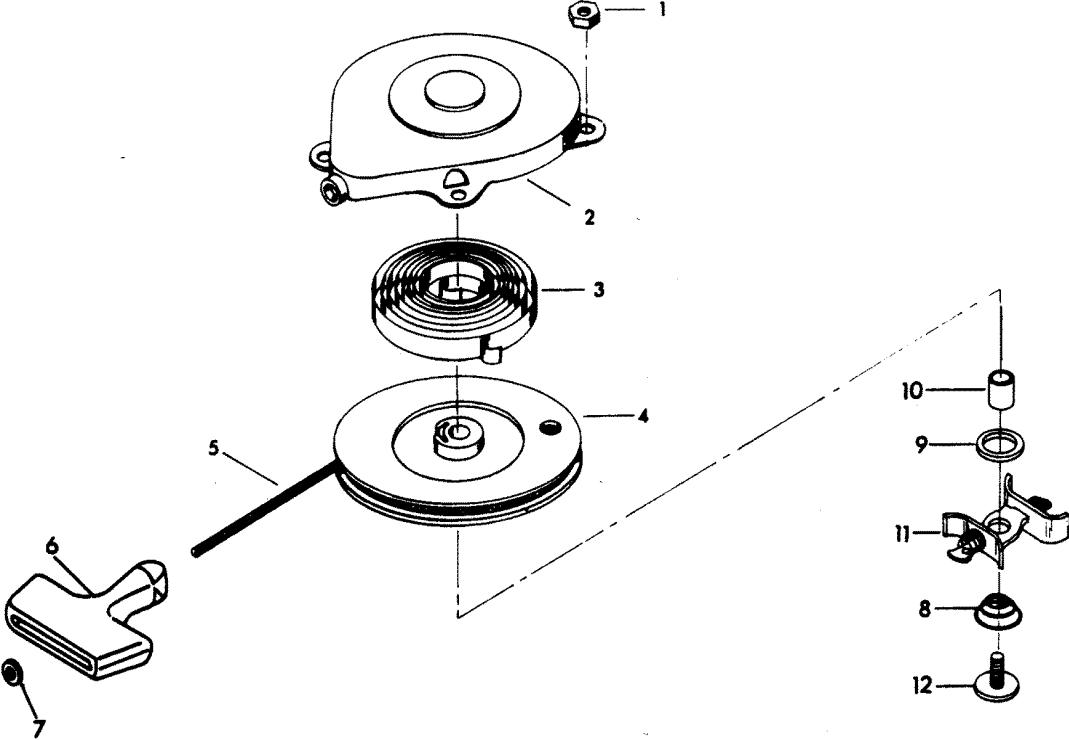
FUEL TANK



FUEL TANK

REF. NO.	PART NO.	SYM.	QTY.	DESCRIPTION
1	F521251-3		1	GAS CAP COMPLETE (NOT SHOWN). INCLUDES ILLUSTRATION 2, 3, 4.
2	F17980		1	FUEL CAP GASKET
3	F427249		1	RETAINING RING
4	F17938		1	ANCHOR
5	F521811		1	FITTING, GAS TANK
6	F2706772		2	HOSE CLAMP
7	FA901753		1	HOSE W/ILLUS. 6
8	FA393396		2	DECAL, ENGINE COVER W/LITERATURE
9	FA601391		1	DECAL, SPEED RANGE W/LITERATURE
10	F521034-1		1	FUEL TANK
11	F8061		4	INTERNAL TOOTH LOCKWASHER

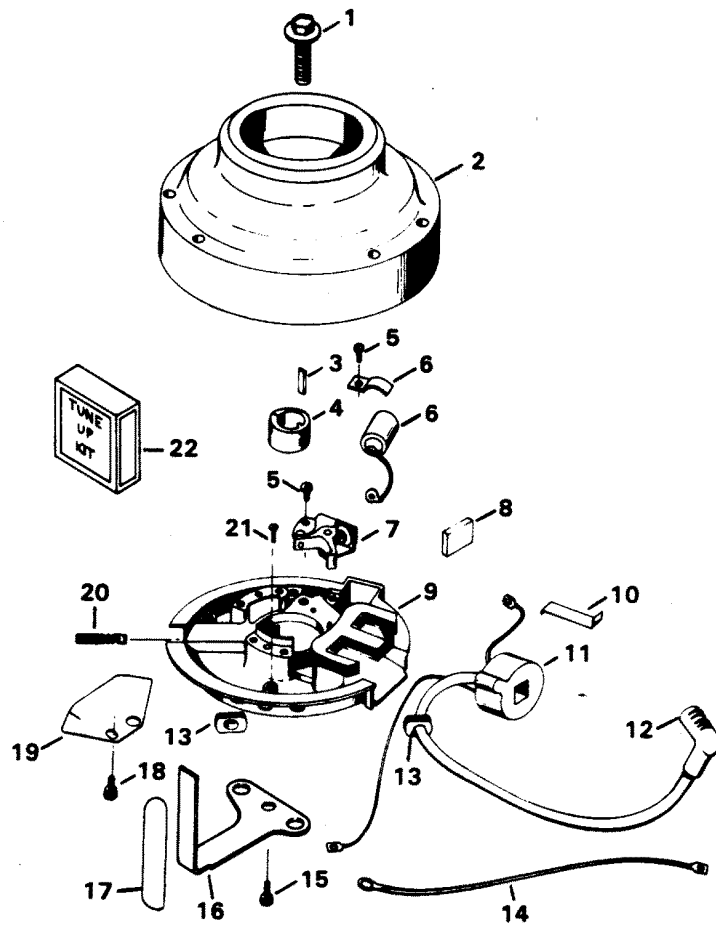
STARTER



STARTER

REF. NO.	PART NO.	SYM.	QTY.	DESCRIPTION
1	F1896		4	HEX NUT
2	F15601		1	COVER
3	F15570		1	SPRING, REWIND
4	F15591		1	ROTOR
5	F15582-1		1	STARTER ROPE
6	F286132		1	HANDLE, STARTER ROPE
7	F2042		1	PLAIN WASHER
8	F15596		1	SPRING
9	F15594		2	WASHER
10	F15602		1	NYLINER
11	F15595		1	FRICTION SHOE ASSEMBLY
12	F15597		1	SCREW
-	F521063-2		1	STARTER - COMPLETE

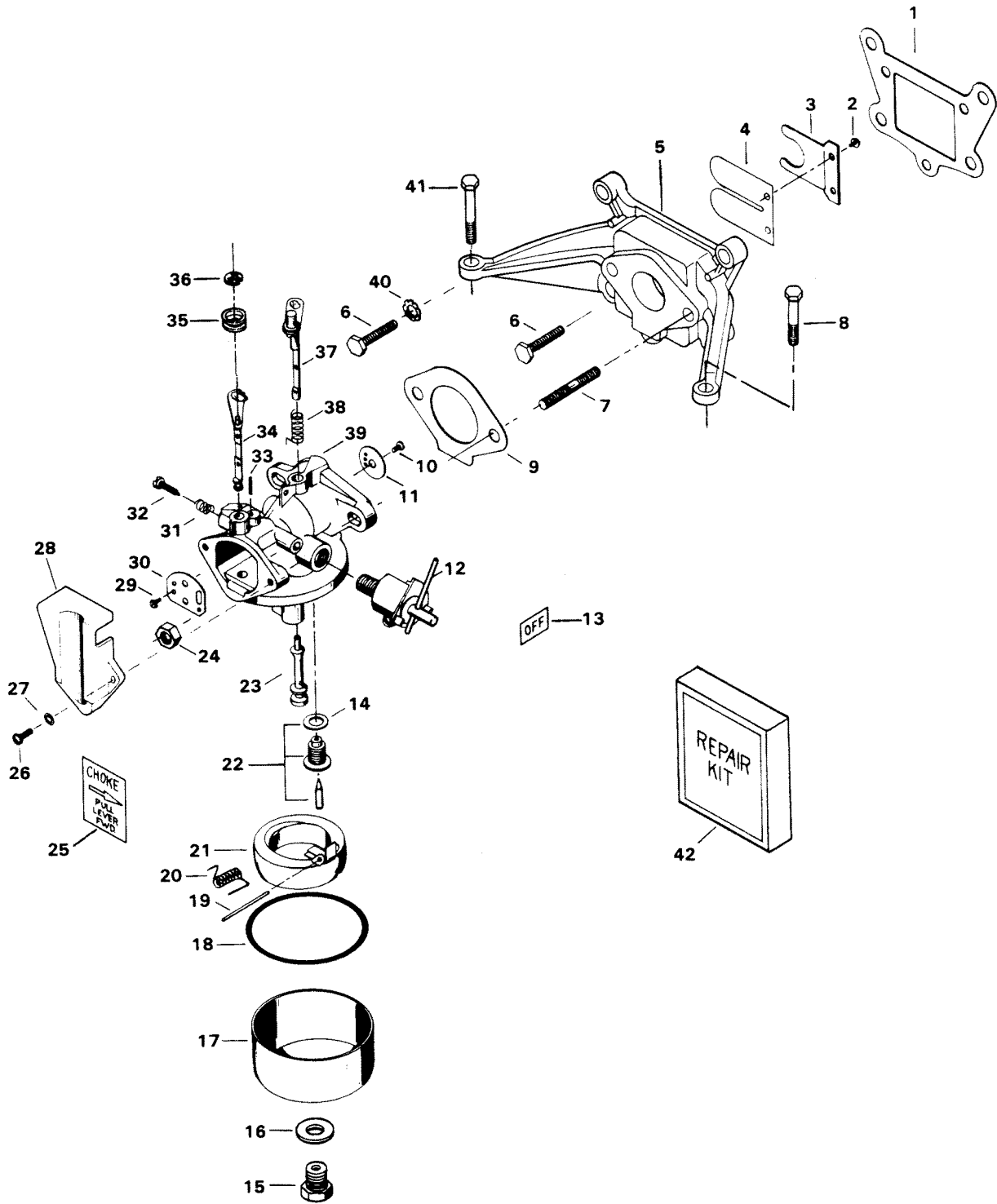
MAGNETO



MAGNETO

REF. NO.	PART NO.	SYM.	QTY.	DESCRIPTION
1	F521552		1	SCREW, FLYWHEEL
2	F535097		1	FLYWHEEL
3	F521498		1	KEY, FLYWHEEL
4	F521002		1	CAM
5	F12090		2	MOUNTING SCREW
6	FK12357		1	CONDENSER W/CLAMP
7	F12359		1	CONTACT SET
8	F12360		1	FELT CAM
9	F12362		1	STATOR PLATE W/CORE
10	F12350		1	WEDGE SPRING
11	FK12369		1	COIL W/LEAD WIRE AND WEDGIE SPRING
12	FK750-2		1	SPARKIE KIT
13	F12361		1	LEAD WIRE AND GROMMET PACKAGE
14	F521908		1	GROUND WIRE
15	F1734		1	SLOTTED FILL HD SCREW, 1/4 - 20 X 1/2
16	F601081		1	THROTTLE LEVER
17	F459137		1	GRIP
18	F1655		1	HEX HD SCREW W/SPRING LOCKWASHER, 1/4 - 20 X 3/8
19	F521192		1	THROTTLE CAM
20	F12066		1	FRICTION SCREW
21	F1755		1	ROUND HD SCREW W/LOCKWASHER
22	FK1058		1	TUNE-UP KIT. INCLUDES ITEMS MARKED WITH AN ASTERISK (*)

CARBURETOR & REED PLATE

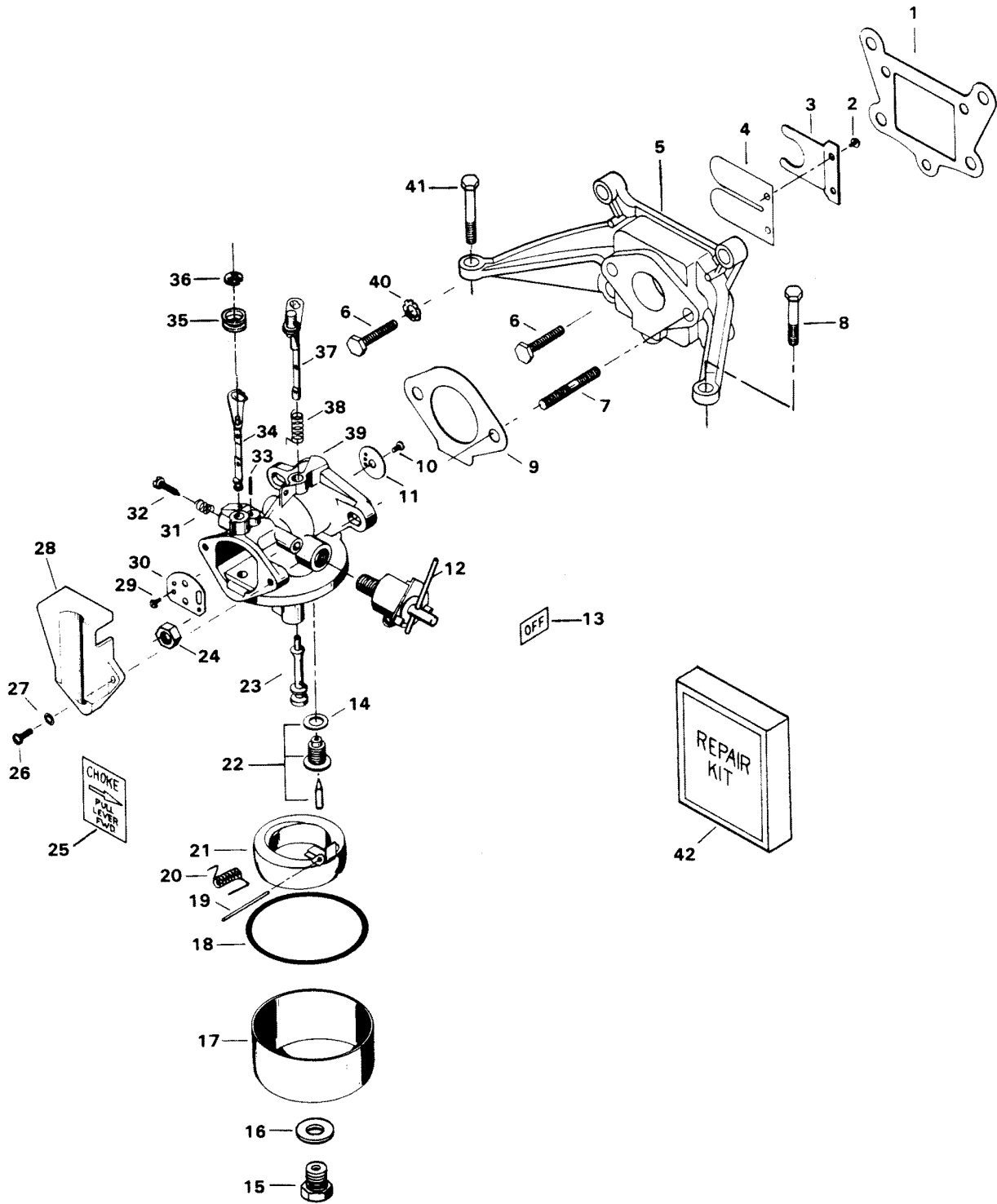


CARBURETOR & REED PLATE

REF. NO.	PART NO.	SYM.	QTY.	DESCRIPTION
1	F521168		1	GASKET, CARBURETOR ADAPTER
2	F1755		2	ROUND HD SCREW W/LOCKWASHER, 6 - 32 X 5/16
3	F424161		1	REED STOP
4	F31160-1		1	REED
5	F2A332167		1	CARBURETOR ADAPTER WILLUS. 2, 3, 4 AND 7
6	F1532		4	HEX CAP SCREW, 1/4 - 20 X 1
7	F433209-1		2	STUD, CARBURETOR
9	F521906		1	GASKET, CARBURETOR
10	F10071		1	SCREW
11	F10060		1	THROTTLE
12	F601489		1	VALVE, FUEL SHUT-OFF
13	F521894		1	DECAL "OFF"
14	F10066		1	GASKET, VALVE SEAT
15	F10096		1	JET ASSEMBLY (.039) STD. SEA LEVEL - 3000 FT.
-	F10093		-	JET ASSEMBLY (.038) OPT. SEA LEVEL - 3000 FT. - 5000 FT.
-	F10086		-	JET ASSEMBLY (.037) OPT. SEA LEVEL - 5000 FT. - 7000 FT.
-	F10094		-	JET ASSEMBLY (.036) OPT. SEA LEVEL - 7000 FT. AND UP OPTIONAL SIZE MAIN FUEL JETS (USE ONLY AT ALTITUDES INDICATED)
16	F10090		2	GASKET, BOWL RETAINER
17	F10058		1	FUEL BOWL
18	F10068		1	GASKET, FUEL BOWL
19	F10064		1	FLOAT PIN
20	F10084		1	SPRING, FLOAT SUPPORT
21	F10063		1	FLOAT
22	F10100		1	VALVE, SEAT AND GASKET ASSEMBLY
23	F10065		1	NOZZLE
24	F1490		2	HEX NUT, 1/4 - 20
25	F601248		1	DECAL (CHOKE)
26	F1064		2	FILL HD SCREW, 8 - 32 X 3/8
27	F8078		2	LOCKWASHER, INTERNAL TOOTH
28	F521708		1	CARBURETOR COVER
29	F10070		2	SCREW, CHOKE VALVE
30	F10062		1	CHOKE VALVE
31	F10073		1	SPRING, IDLE ADJUSTMENT NEEDLE
32	F10077		1	NEEDLE, IDLE
33	F10072		1	SPRING, CHOKE STOP
34	F10061		1	CHOKE SHAFT
35	F318504		1	GROMMET, CHOKE
36	F90807		1	RETAINER, CHOKE
37	F10059		1	THROTTLE SHAFT

CONTINUED ON NEXT PAGE ➡

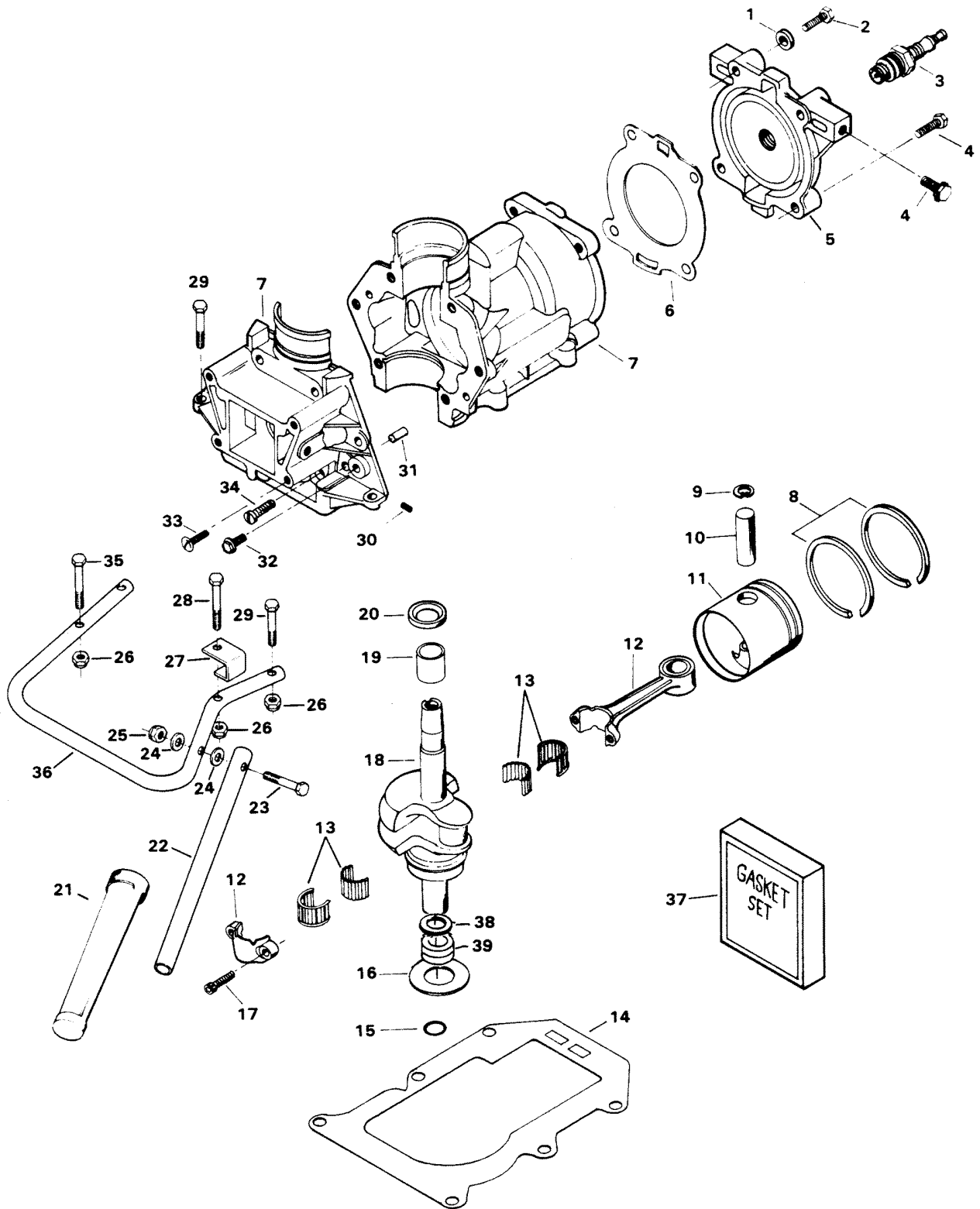
CARBURETOR & REED PLATE



CARBURETOR & REED PLATE

REF. NO.	PART NO.	SYM.	QTY.	DESCRIPTION
38	F10075		1	SPRING, THROTTLE RETURN
39	F521061-6		1	CARBURETOR - COMPLETE
40	F8060		2	EXTERNAL TOOTH LOCKWASHER
42	F10098		1	REPAIR KIT. INCLUDES ALL ITEMS MARKED WITH AN ASTERISK (*)
-	F10069		1	GASKET SET. INCLUDES ALL ITEMS MARKED WITH A DOUBLE ASTERISK (**)

POWER HEAD

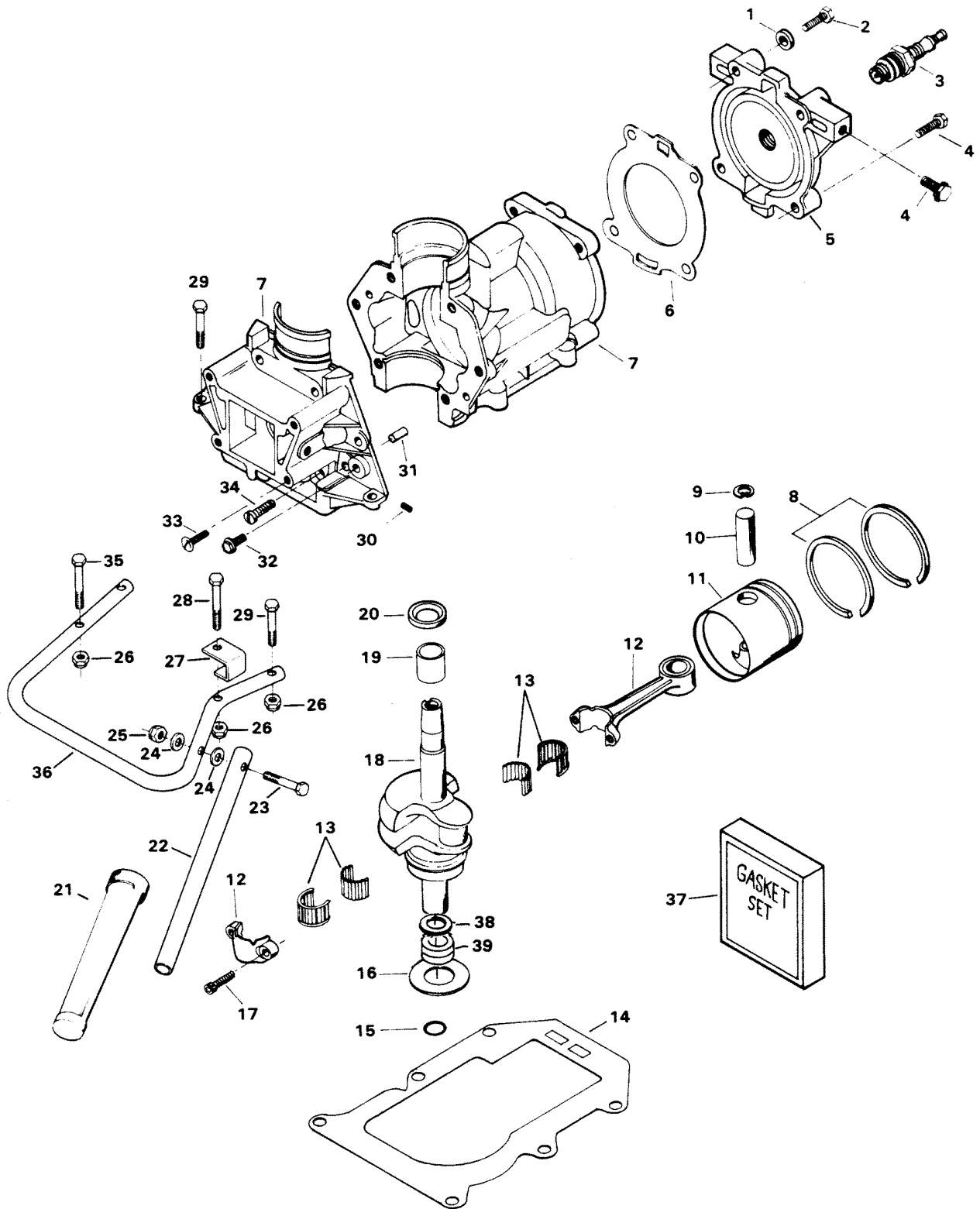


POWER HEAD

REF. NO.	PART NO.	SYM.	QTY.	DESCRIPTION
1	F8028		4	WASHER, PLAIN
2	F901938-1		4	SCREW, CYLINDER HEAD
3	33-82370M		1	SPARK PLUG (L-86)
4	F1426		2	SCREW, HEX HD 1/4 - 20 X 7/16
5	F521518		1	HEAD, CYLINDER
6	F521529		1	GASKET, CYLINDER HEAD
7	FA601010		1	CYLINDER ASSEMBLY W/CRANKCASE COVER ILLUS. 30, 31, AND 33
-	FC601010		1	SHORT BLOCK (NOT SHOWN) INCLUDE ALL ITEMS MARKED WITH AN ASTERISK (*)
8	39-818038A1		1	RING SET, PISTON (2 RINGS)
9	F250410		2	RING, RETAINING, PISTON PIN
10	F250017		1	PIN, PISTON
11	F521015		1	PISTON
12	F2A521016		1	ROD, CONNECTING W/SCREWS AND BEARINGS AND ILLUS. 17
13	F2A237228		2	BEARING ASSEMBLY, W/CAGE AND ROLLERS
14	F521279		1	GASKET, CYLINDER EXHAUST
15	F521579		1	SEAL, SPLINE, CRANKSHAFT
16	F521118-1		1	SEAL, CRANKSHAFT, LOWER
17	F36634		2	SCREW, CONNECTING ROD
18	F2A527018		1	CRANKSHAFT ASSEMBLY W/ILLUS. 38 AND 39
19	F521013		1	BEARING, CRANKSHAFT, UPPER
20	F521146		1	SEAL, CRANKSHAFT, UPPER
21	F211137-1		1	GRIP, STEERING HANDLE
22	F601079		1	HANDLE, STEERING
23	F1893		1	SCREW 5/16 - 18 X 1 1/2
24	F1907		2	WASHER
25	F2108		1	NUT, LOCK 5/16 - 18
26	F7023		4	NUT, LOCK 1/4 - 20
27	F601078		1	BRACKET, STEERING HANDLE STOP
28	F1891		1	SCREW 1/4 - 20 X 1 1/2
29	F1699		2	SCREW 1/4 - 20 X 1 1/8
30	F1789		1	PLUG, PIPE
31	F8559		2	PIN, DOWEL
32	F2040		1	SCREW 1/4 - 20 X 5/8
33	F1107		2	SCREW 1/4 - 20 X 3/4
34	F1099		4	SCREW 1/4 - 20 X 1 1/4
35	F1708		1	SCREW 1/4 - 20 X 1 3/8
36	F601647		1	HANDLE
37	FG1015		1	GASKET SET. INCLUDES ITEMS LISTED BELOW
-	F521159		2	GASKET, REED PLATE
-	F521168		1	GASKET, CARBURETOR ADAPTER

CONTINUED ON NEXT PAGE ➡

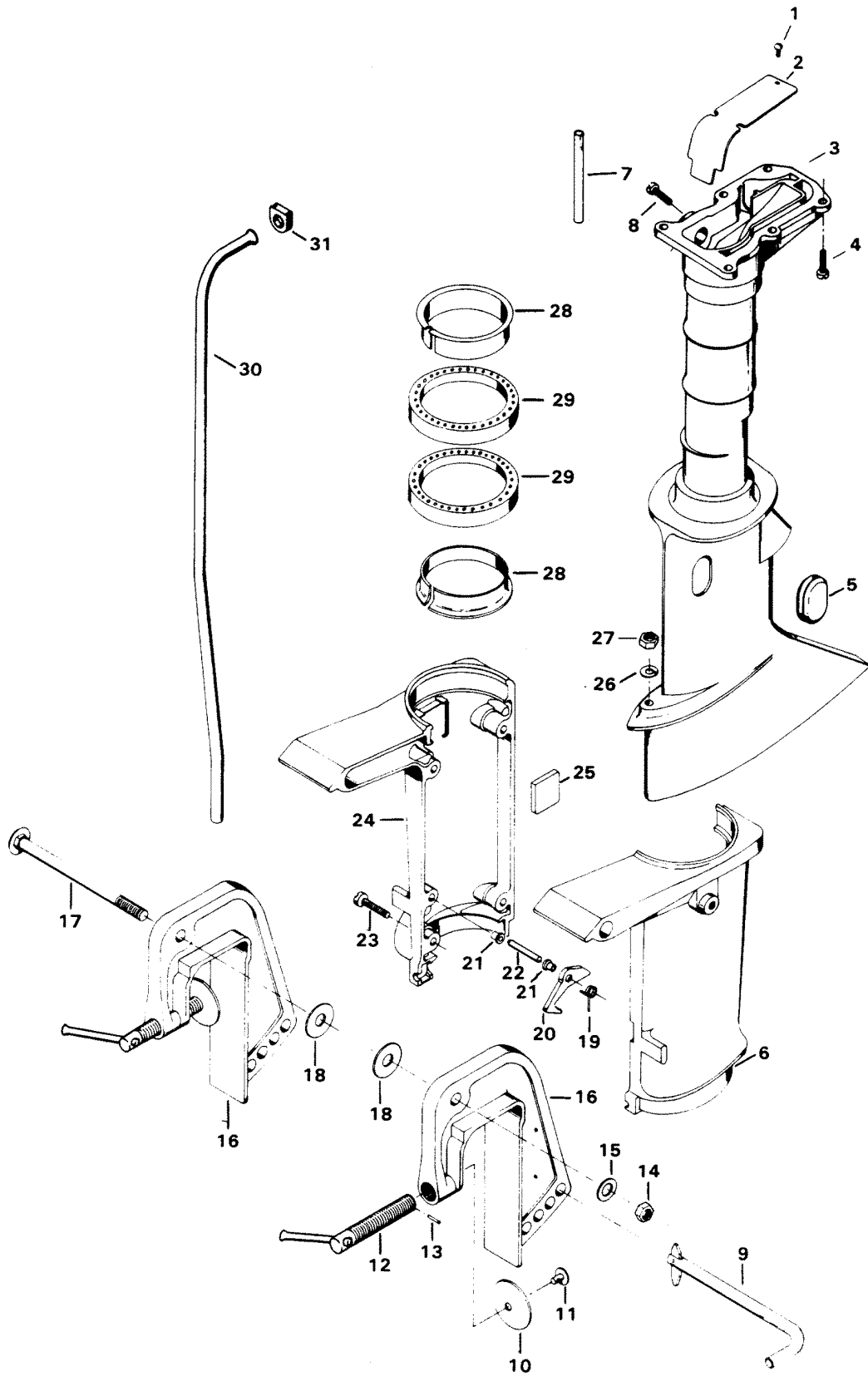
POWER HEAD



POWER HEAD

REF. NO.	PART NO.	SYM.	QTY.	DESCRIPTION
-	F521279		0	1 GASKET, CYLINDER, EXHAUST
-	F521529		1	GASKET, CYLINDER HEAD
-	F521906		1	GASKET, CARBURETOR
38	F521270		1	SLINGER
39	F521910		1	BEARING, CRANKSHAFT LOWER

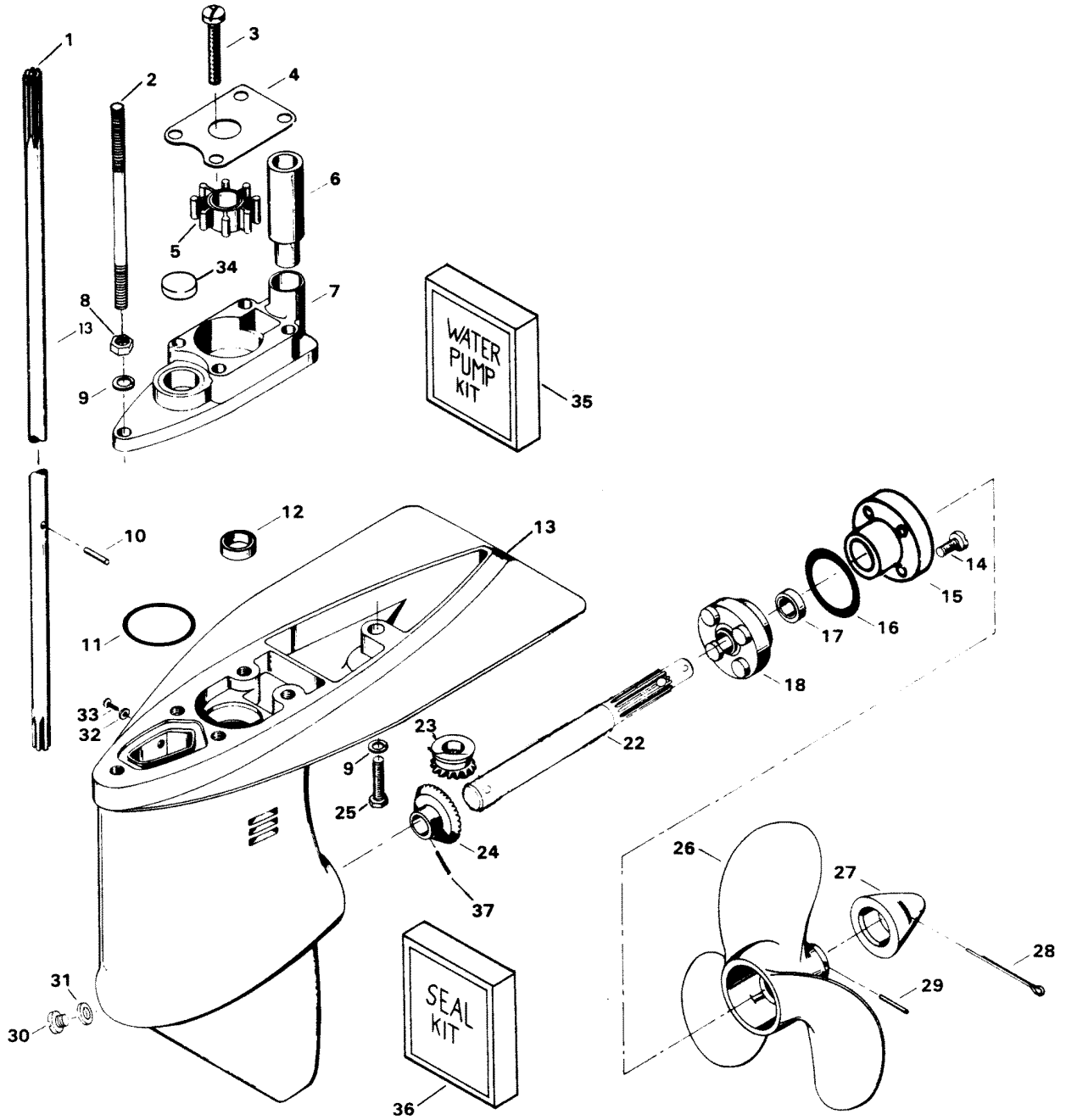
MOTOR LEG



MOTOR LEG

REF. NO.	PART NO.	SYM.	QTY.	DESCRIPTION
1	F1645		3	RD HD THD. CUTTING, 6 - 32 X 1/4
2	FA341151		1	PLATE, EXHAUST W/ILLUS. 1
3	FK601133		1	MOTOR LEG W/ITEMS 1, 2, AND 32
4	F1922		6	HEX HD SCREW, 1/4 - 20 X 5/8
5	F46899-1		1	COVER, SHIFT COUPLING
6	817815A4		1	SWIVEL BRACKET - PORT W/ILLUS. 21 ORIGINAL FORCE P/N A 468072-3
7	F521261		1	LINE, WATER OUTLET
8	F1445		1	SCREW, 1/4 - 14 X 3/8
9	817810A1		1	LOCK BAR ASSEMBLY
10	F24074		2	CLAMP SCREW FOOT
11	F66480		2	STUD
12	FA28073-1		2	CLAMP SCREW W/ILLUS. 10, 11 AND 13
13	F8537		2	SPRING PIN
14	F7026		1	STOP NUT 3/8 - 16
15	F2014		1	PLAIN WASHER
16	FA601532		2	STERN BRACKET W/ILLUS. 10, 11, 12 AND 13
17	F468037-1		1	PIVOT BOLT
18	F2037		2	PLAIN WASHER
19	F468300		1	SPRING, REVERSE LOCK
20	F468349		1	REVERSE LOCK
21	F197813		2	BEARING
22	F468350		1	PIN, REVERSE LOCK
23	F2035		4	PHILLIPS FILL HD SCREW, 1/4 - 20 X 1
24	FA601572		1	SWIVEL BRACKET - STARBOARD W/ILLUS. 21 AND 25
25	F521661-1		2	PAD, SWIVEL FRICTION
26	F8083		1	SPRING LOCKWASHER
27	F1341		1	NUT
28	F468169		2	BEARING, SWIVEL BRACKET
29	FA468346		2	SHOCK MOUNT W/LITERATURE
30	F521244-1		1	WATER LINE STANDARD LEG
31	F521342-1		1	SEAL, WATER LINE

GEAR HOUSING

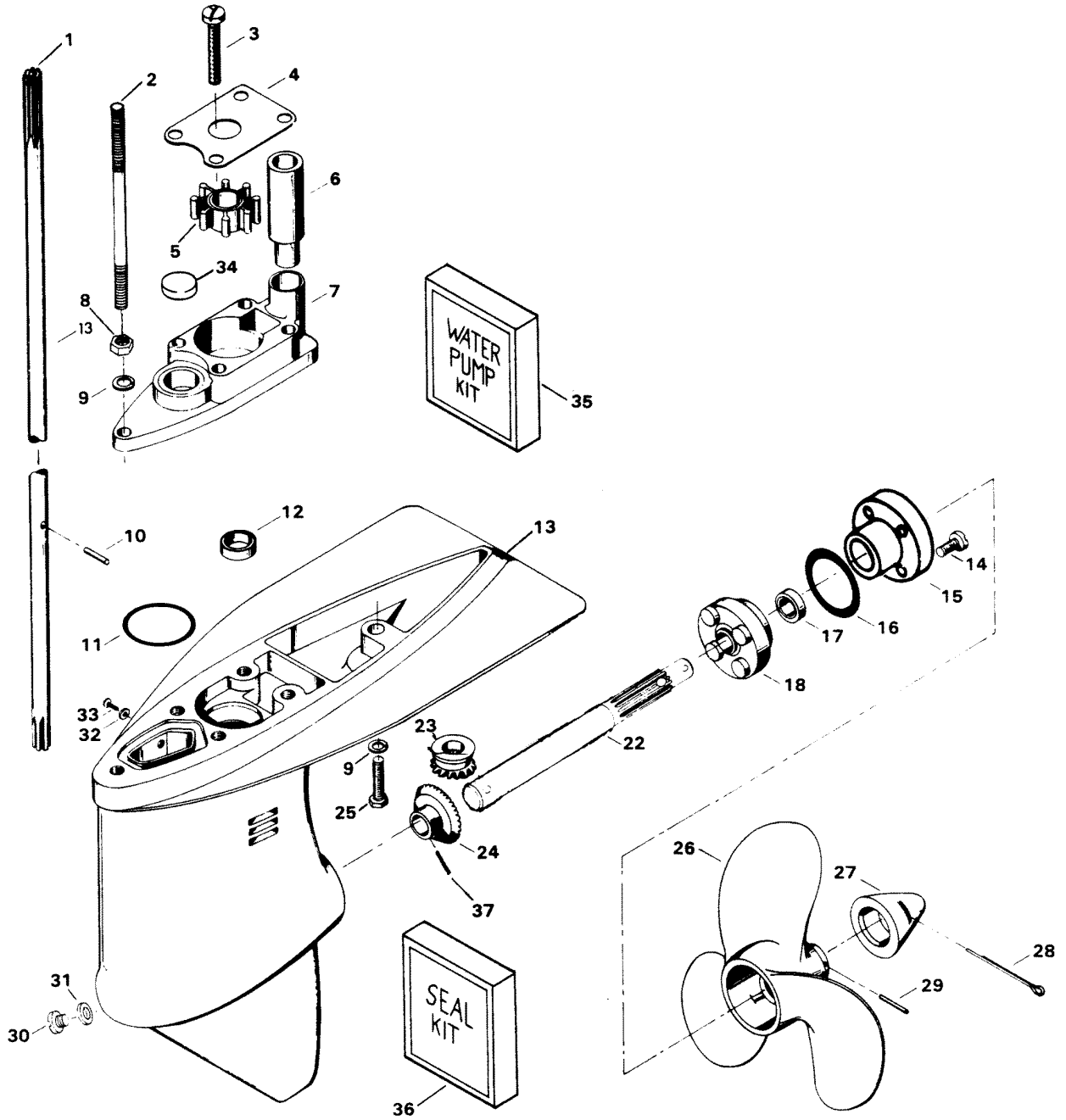


GEAR HOUSING

REF. NO.	PART NO.	SYM.	QTY.	DESCRIPTION
1	F521128		1	DRIVESHAFT
2	F601006		1	STUD
3	F1504		4	FILL HD SCREW, 1/4 - 20 X 1 1/4
4	F521537		1	PLATE, WATER PUMP
5	F521065		1	IMPELLER
6	FA521735		1	SEAL, WATERLINE W/LITERATURE
7	FA601060		1	BODY, WATER PUMP W/PLUG
8	F1341		1	NUT
9	F8083		2	LOCKWASHER
10	F390563		1	PIN, PUMP DRIVE
11	F521783		1	SEAL
12	F318307		1	SEAL, DRIVESHAFT
13	F2A521054		1	GEAR HOUSING ASSEMBLY W/BEVEL PINION THRUST BEARING, PROP SHAFT BEARING, DRIVESHAFT UPPER BEARING, ILLUS. 17
-	1600-817915A1		1	GEAR HOUSING ASSEMBLY COMPLETE. INCLUDE ALL ITEMS MARKED WITH AN ASTERISK (*) ORIGINAL FORCE P/N C 601054-1
14	F525457		4	SCREW, 1/4 - 20 X 5/8
15	F521296		1	RETAINER, PROPELLER SHAFT BEARING CAGE
16	F521305		1	SEAL, O-RING
17	F521307		1	SEAL, PROPELLER SHAFT
18	FA341298		1	CAGE, BEARING W/BEARING AND ILLUS. 17
22	F601098		1	SHAFT, PROPELLER
23	F521266		1	GEAR, BEVEL PINION
24	F601023		1	GEAR, BEVEL
25	F1199		1	SCREW, 1/4 - 20 X 1
26	FP332		1	PROPELLER
27	11-817752A1		1	NUT, PROPELLER W/ILLUS. 28 ORIGINAL FORCE P/N A 286094-1
28	F1846		1	PIN, COTTER
29	FA324101		1	PIN, PROPELLER (PACK OF 3)
30	F50109		1	PLUG, GEAR HOUSING
31	F8077		1	WASHER
32	F8074		1	WASHER
33	F1077		1	SCREW, 10 - 24 X 1/4
34	F1526		1	PLUG
35	FK1118		1	WATER PUMP KIT. INCLUDES ITEMS LISTED BELOW
-	FA521735		1	SEAL, WATERLINE
-	FA601060		1	BODY, WATER PUMP
-	F521537		1	PLATE, PUMP, TOP

CONTINUED ON NEXT PAGE ➡

GEAR HOUSING



GEAR HOUSING

REF. NO.	PART NO.	SYM.	QTY.	DESCRIPTION
-	F521065		1	IMPELLER, WATER PUMP
-	F338618-1		1	SEAL
-	F1504		4	SCREW 1/4 - 20 X 1 1/4
36	FK1057		1	GEAR HOUSING SEAL KIT. INCLUDE ALL ITEMS MARKED WITH A DOUBLE ASTERISK (**)
37	F8551		1	SPRING PIN 5/32 X 13/16

SPECIAL TOOLS - TUNE-UP

REF. NO.	PART NO.	SYM.	QTY.	DESCRIPTION
-	FT8998		0	KNOCK-OFF SCREW TO REMOVE FLYWHEEL
-	FT2989		0	FLYWHEEL WEDGE TO REMOVE FLYWHEEL
-	FT2993		0	SPANNER WRENCH TO HOLD FLYWHEEL WHEN REMOVING FLYWHEEL SCREW

SPECIAL TOOLS - POWER HEAD

REF. NO.	PART NO.	SYM.	QTY.	DESCRIPTION
-	FT8929		0	CONNECTING ROD TOOL TO REMOVE CONNECTING ROD SCREWS
-	FT8926		0	RING EXPANDER TO REMOVE AND INSTALL PISTON RINGS
-	FT1749		0	SNAP RING PLIERS TO REMOVE AND INSTALL PISTON PIN RETAINING RINGS
-	FT2997		0	RING COMPRESSOR INSTALL PISTON AND RINGS IN CYLINDER

SPECIAL TOOLS - LOWER UNIT

REF. NO.	PART NO.	SYM.	QTY.	DESCRIPTION
-	FT8948-1		0	PULLER TO REMOVE BEARING CAGE RETAINER
-	FT2915		0	SEAL INSTALLER TO INSTALL PROPELLER SHAFT SEAL AND DRIVE SHAFT SEAL

SPECIAL TOOLS - TEST EQUIPMENT

REF. NO.	PART NO.	SYM.	QTY.	DESCRIPTION
-	FT8950		0	LEAKAGE TESTER TO CHECK GEAR HOUSING FOR LEAKS

SPECIAL TOOLS - LUBRICANTS AND SEALANTS

REF. NO.	PART NO.	SYM.	QTY.	DESCRIPTION
-	FT8969		0	LUBRICANT - LPSI
-	FT2987-1		0	LUBRICANT - ANTI-SEIZE
-	FT2961		0	LUBRICANT - RYKON GREASE #2EP
-	FT8983		0	SEALANT - RTV
-	FT2962-1		0	SEALANT - LOCTITE H, NON-HARDENING
-	FT2963-1		0	SEALANT - LOCTITE D, HARDENING GRADE
-	FT8936-1		0	SEALANT - LOCTITE RETAINING COMPOUND #75
-	FT8935		0	SEALANT PRIMER - GRADE T

ACCESSORIES

REF. NO.	PART NO.	SYM.	QTY.	DESCRIPTION
-	F596		0	CHRYSLER OUTBOARD OIL SEE BLOCK COMMENT 1.
-	F597		0	CHRYSLER OUTBOARD GEAR LUBE SEE BLOCK COMMENT 2.
-	F5H059		0	CHRYSLER OUTBOARD MULTI-PURPOSE GREASE

PARTS INDEX

Part Number	Description	Pg.	Ref. No.	Part Number	Description	Pg.	Ref. No.
817810A1	LOCK BAR ASSEMBLY	17	9	F1532	HEX CAP SCREW, 1/4 - 20 X 1	9	6
817815A4	SWIVEL BRACKET - PORT	17	6	F15570	SPRING, REWIND	5	3
F10058	FUEL BOWL	9	17	F15582-1	STARTER ROPE	5	5
F10059	THROTTLE SHAFT	9	37	F15591	ROTOR	5	4
F10060	THROTTLE	9	11	F15594	WASHER	5	9
F10061	CHOKE SHAFT	9	34	F15595	FRICITION SHOE ASSEMBLY	5	11
F10062	CHOKE VALVE	9	30	F15596	SPRING	5	8
F10063	FLOAT	9	21	F15597	SCREW	5	12
F10064	FLOAT PIN	9	19	F15601	COVER	5	2
F10065	NOZZLE	9	23	F15602	NYLINER	5	10
F10066	GASKET, VALVE SEAT	9	14	F1645	RD HD THD. CUTTING, 6 - 32 X 1/4	17	1
F10068	GASKET, FUEL BOWL	9	18	F1655	HEX HD SCREW W/SPRING LOCKWASHER, 1/4 - 20 X 3/8	7	18
F10069	GASKET SET.	11	-	F1699	SCREW 1/4 - 20 X 1 1/8	13	29
F10070	SCREW, CHOKE VALVE	9	29	F1708	SCREW 1/4 - 20 X 1 3/8	13	35
F10071	SCREW	9	10	F1734	SLOTTED FILL HD SCREW, 1/4 - 20 X 1/2	7	15
F10072	SPRING, CHOKE STOP	9	33	F1755	ROUND HD SCREW W/LOCKWASHER	7	21
F10073	SPRING, IDLE ADJUSTMENT NEEDLE	9	31	F1755	ROUND HD SCREW W/LOCKWASHER, 6 - 32 X 5/16	9	2
F10075	SPRING, THROTTLE RETURN	11	38	F1789	PLUG, PIPE	13	30
F10077	NEEDLE, IDLE	9	32	F17938	ANCHOR	3	4
F10084	SPRING, FLOAT SUPPORT	9	20	F17980	FUEL CAP GASKET	3	2
F10086	JET ASSEMBLY (.037) OPT. SEA LEVEL - 5000 FT. - 7000 FT.	9	-	F1846	PIN, COTTER	19	28
F10090	GASKET, BOWL RETAINER	9	16	F1891	SCREW 1/4 - 20 X 1 1/2	13	28
F10093	JET ASSEMBLY (.038) OPT. SEA LEVEL - 3000 FT. - 5000 FT.	9	-	F1893	SCREW 5/16 - 18 X 1 1/2	13	23
F10094	JET ASSEMBLY (.036) OPT. SEA LEVEL - 7000 FT. AND UP	9	-	F1896	HEX NUT	5	1
F10096	JET ASSEMBLY (.039) STD. SEA LEVEL - 3000 FT.	9	15	F1907	WASHER	13	24
F10098	REPAIR KIT.	11	42	F1922	HEX HD SCREW, 1/4 - 20 X 5/8	17	4
F10100	VALVE, SEAT AND GASKET ASSEMBLY	9	22	F197813	BEARING	17	21
F1064	FILL HD SCREW, 8 - 32 X 3/8	9	26	F2014	PLAIN WASHER	17	15
F1077	SCREW, 10 - 24 X 1/4	19	33	F2035	PHILLIPS FILL HD SCREW, 1/4 - 20 X 1	17	23
F1099	SCREW 1/4 - 20 X 1 1/4	13	34	F2037	PLAIN WASHER	17	18
F1107	SCREW 1/4 - 20 X 3/4	13	33	F2040	SCREW 1/4 - 20 X 5/8	13	32
F1199	SCREW, 1/4 - 20 X 1	19	25	F2042	PLAIN WASHER	5	7
F12066	FRICITION SCREW	7	20	F2108	NUT, LOCK 5/16 - 18	13	25
F12090	MOUNTING SCREW	7	5	F211137-1	GRIP, STEERING HANDLE	13	21
F12350	WEDGE SPRING	7	10	F24074	CLAMP SCREW FOOT	17	10
F12359	CONTACT SET	7	7	F250017	PIN, PISTON	13	10
F12360	FELT CAM	7	8	F250410	RING, RETAINING, PISTON PIN	13	9
F12361	LEAD WIRE AND GROMMET PACKAGE	7	13	F2706772	HOSE CLAMP	3	6
F12362	STATOR PLATE W/CORE	7	9	F286132	HANDLE, STARTER ROPE	5	6
F1341	NUT	17	27	F2A237228	BEARING ASSEMBLY, W/CAGE AND ROLLERS	13	13
F1341	NUT	19	8	F2A332167	CARBURETOR ADAPTER	9	5
F1426	SCREW, HEX HD 1/4 - 20 X 7/16	13	4	F2A521016	ROD, CONNECTING W/SCREWS AND BEARINGS AND ILLUS.	13	12
F1445	SCREW, 1/4 - 14 X 3/8	17	8	F2A521054	GEAR HOUSING ASSEMBLY	19	13
F1490	HEX NUT, 1/4 - 20	9	24	F2A527018	CRANKSHAFT ASSEMBLY	13	18
F1504	FILL HD SCREW, 1/4 - 20 X 1 1/4	19	3	F31160-1	REED	9	4
F1504	SCREW 1/4 - 20 X 1 1/4	21	-	F318307	SEAL, DRIVESHAFT	19	12
F1526	PLUG	19	34				

PARTS INDEX

Part Number	Description	Pg.	Ref. No.	Part Number	Description	Pg.	Ref. No.
F318504	GROMMET, CHOKE	9	35	F521661-1	PAD, SWIVEL FRICTION	17	25
F338618-1	SEAL	21	-	F521708	CARBURETOR COVER	9	28
F36634	SCREW, CONNECTING ROD	13	17	F521783	SEAL	19	11
F390563	PIN, PUMP DRIVE	19	10	F521811	FITTING, GAS TANK	3	5
F424161	REED STOP	9	3	F521894	DECAL "OFF"	9	13
F427249	RETAINING RING	3	3	F521906	GASKET, CARBURETOR	9	9
F433209-1	STUD, CARBURETOR	9	7	F521906	GASKET, CARBURETOR	15	-
F459137	GRIP	7	17	F521908	GROUND WIRE	7	14
F468037-1	PIVOT BOLT	17	17	F521910	BEARING, CRANKSHAFT		
F468169	BEARING, SWIVEL			LOWER		15	39
	BRACKET	17	28	F525457	SCREW, 1/4 - 20 X 5/8	19	14
F468300	SPRING, REVERSE LOCK	17	19	F535097	FLYWHEEL	7	2
F468349	REVERSE LOCK	17	20	F596	CHRYSLER OUTBOARD OIL	27	-
F468350	PIN, REVERSE LOCK	17	22	F597	CHRYSLER OUTBOARD		
F46899-1	COVER, SHIFT COUPLING	17	5	GEAR LUBE		27	-
F50109	PLUG, GEAR HOUSING	19	30	F5H059	CHRYSLER OUTBOARD		
F521002	CAM	7	4	MULTI-PURPOSE GREASE		27	-
F521013	BEARING, CRANKSHAFT,			F601006	STUD	19	2
	UPPER	13	19	F601023	GEAR, BEVEL	19	24
F521015	PISTON	13	11	F601078	BRACKET, STEERING		
F521034-1	FUEL TANK	3	10	HANDLE STOP		13	27
F521061-6	CARBURETOR - COMPLETE	11	39	F601079	HANDLE, STEERING	13	22
F521063-2	STARTER - COMPLETE	5	-	F601081	THROTTLE LEVER	7	16
F521065	IMPELLER	19	5	F601098	SHAFT, PROPELLER	19	22
F521065	IMPELLER, WATER PUMP	21	-	F601248	DECAL (CHOKE)	9	25
F521118-1	SEAL, CRANKSHAFT,			F601489	VALVE, FUEL SHUT-OFF	9	12
	LOWER	13	16	F601647	HANDLE	13	36
F521128	DRIVESHAFT	19	1	F66480	STUD	17	11
F521146	SEAL, CRANKSHAFT,			F7023	NUT, LOCK 1/4 - 20	13	26
	UPPER	13	20	F7026	STOP NUT 3/8 - 16	17	14
F521159	GASKET, REED PLATE	13	-	F8028	WASHER, PLAIN	13	1
F521168	GASKET, CARBURETOR			F8060	EXTERNAL TOOTH		
	ADAPTER	9	1	LOCKWASHER		11	40
F521168	GASKET, CARBURETOR			F8061	INTERNAL TOOTH		
	ADAPTER	13	-	LOCKWASHER		3	11
F521192	THROTTLE CAM	7	19	F8074	WASHER	19	32
F521244-1	WATER LINE STANDARD			F8077	WASHER	19	31
	LEG	17	30	F8078	LOCKWASHER, INTERNAL		
F521251-3	GAS CAP COMPLETE (NOT			TOOTH		9	27
	SHOWN).	3	1	F8083	LOCKWASHER	19	9
F521261	LINE, WATER OUTLET	17	7	F8083	SPRING LOCKWASHER	17	26
F521266	GEAR, BEVEL PINION	19	23	F8537	SPRING PIN	17	13
F521270	SLINGER	15	38	F8551	SPRING PIN 5/32 X 13/16	21	37
F521279	1	13	-	F8559	PIN, DOWEL	13	31
F521279	GASKET, CYLINDER			F901938-1	SCREW, CYLINDER HEAD	13	2
	EXHAUST	13	14	F90807	RETAINER, CHOKE	9	36
F521296	RETAINER, PROPELLER			FA28073-1	CLAMP SCREW	17	12
	SHAFT BEARING CAGE	19	15	FA324101	PIN, PROPELLER (PACK OF		
F521305	SEAL, O-RING	19	16	3)		19	29
F521307	SEAL, PROPELLER SHAFT	19	17	FA341151	PLATE, EXHAUST	17	2
F521342-1	SEAL, WATER LINE	17	31	FA341298	CAGE, BEARING		
F521498	KEY, FLYWHEEL	7	3	W/BEARING AND ILLUS.			
F521518	HEAD, CYLINDER	13	5	17		19	18
F521529	GASKET, CYLINDER HEAD	13	6	FA393396	DECAL, ENGINE COVER		
F521529	GASKET, CYLINDER HEAD	15	-	W/LITERATURE		3	8
F521537	PLATE, PUMP, TOP	19	-	FA468346	SHOCK MOUNT	17	29
F521537	PLATE, WATER PUMP	19	4	FA521735	SEAL, WATERLINE	19	-
F521552	SCREW, FLYWHEEL	7	1	FA521735	SEAL, WATERLINE	19	6
F521579	SEAL, SPLINE,			FA601010	CYLINDER ASSEMBLY		
	CRANKSHAFT	13	15	W/CRANKCASE COVER		13	7

PARTS INDEX

Part Number	Description	Pg.	Ref. No.	Part Number	Description	Pg.	Ref. No.
FA601060	BODY, WATER PUMP	19	-				
FA601060	BODY, WATER PUMP W/PLUG	19	7				
FA601391	DECAL, SPEED RANGE W/LITERATURE	3	9				
FA601532	STERN BRACKET	17	16				
FA601572	SWIVEL BRACKET - STARBOARD	17	24				
FA901753	HOSE	3	7				
FC601010	SHORT BLOCK (NOT SHOWN)	13	-				
FG1015	GASKET SET.	13	37				
FK1057	GEAR HOUSING SEAL KIT.	21	36				
FK1058	TUNE-UP KIT.	7	22				
FK1118	WATER PUMP KIT.	19	35				
FK12357	CONDENSER W/CLAMP	7	6				
FK12369	COIL W/LEAD WIRE AND WEDGIE SPRING	7	11				
FK601133	MOTOR LEG	17	3				
FK750-2	SPARKIE KIT	7	12				
FP332	PROPELLER	19	26				
FT1749	SNAP RING PLIERS	23	-				
FT2915	SEAL INSTALLER	24	-				
FT2961	LUBRICANT - RYKON GREASE #2EP	26	-				
FT2962-1	SEALANT - LOCTITE H, NON-HARDENING	26	-				
FT2963-1	SEALANT - LOCTITE D, HARDENING GRADE	26	-				
FT2987-1	LUBRICANT - ANTI-SEIZE	26	-				
FT2989	FLYWHEEL WEDGE	22	-				
FT2993	SPANNER WRENCH	22	-				
FT2997	RING COMPRESSOR	23	-				
FT8926	RING EXPANDER	23	-				
FT8929	CONNECTING ROD TOOL	23	-				
FT8935	SEALANT PRIMER - GRADE T	26	-				
FT8936-1	SEALANT - LOCTITE RETAINING COMPOUND #75	26	-				
FT8948-1	PULLER	24	-				
FT8950	LEAKAGE TESTER	25	-				
FT8969	LUBRICANT - LPSI	26	-				
FT8983	SEALANT - RTV	26	-				
FT8998	KNOCK-OFF SCREW	22	-				
11-817752A1	NUT, PROPELLER	19	27				
33-82370M	SPARK PLUG (L-86)	13	3				
39-818038A1	RING SET, PISTON (2 RINGS)	13	8				
1600-817915A1	GEAR HOUSING ASSEMBLY COMPLETE.	19	-				