



# PARTS CATALOG

## 125 H.P.

### SERIAL NUMBER

125 (1981) .....	1258H1A
125 (1982) .....	1258B2B
125 (1982) .....	1258H2B

# TABLE OF CONTENTS:

ACCESSORIES .....	51
CARBURETOR .....	10
CRANKSHAFT AND PISTON GROUP .....	24
ELECTRICAL COMPONENTS .....	4
ENGINE COVER AND SUPPORT PLATE .....	2
FUEL PUMP AND REED PLATE .....	14
FUEL TANK AND LINE .....	36
GEAR HOUSING .....	30
MOTOR LEG .....	26
PARTS INDEX .....	54
POWER HEAD .....	18
POWER TRIM UNIT .....	42
REMOTE CONTROL .....	38
SPECIAL TOOLS - GEAR HOUSING .....	48
SPECIAL TOOLS - LUBRICANTS AND SEALANTS .....	50
SPECIAL TOOLS - POWER HEAD .....	47
SPECIAL TOOLS - TEST EQUIPMENT .....	49
SPECIAL TOOLS - TUNE-UP .....	46
STARTER .....	8

**NOTE:** Indented description indicate that these parts are included in preceeding assembly.

**AR** = As Required

**NSS** = Not Sold Separate

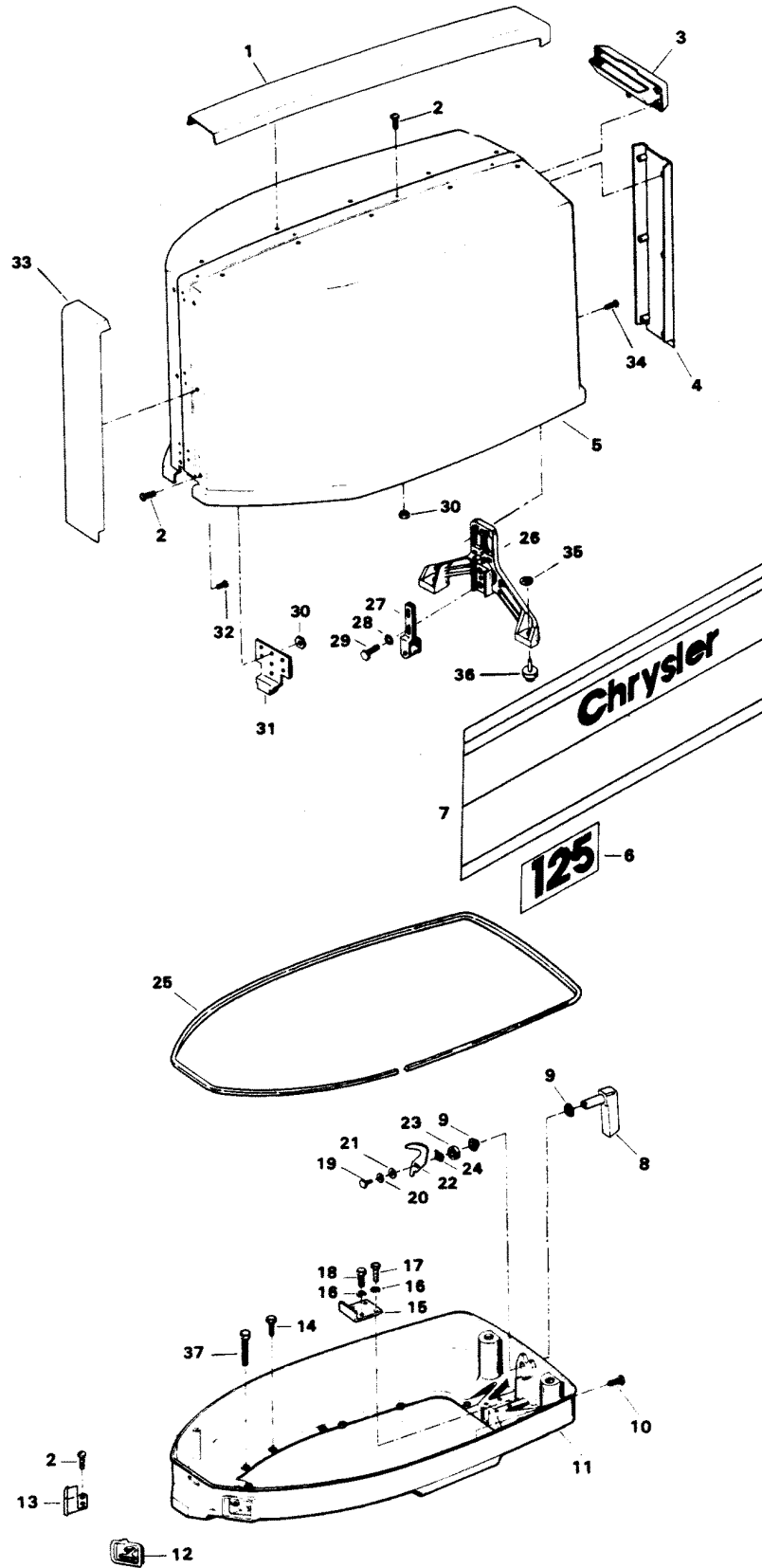
**OPT** = Optional

**NS** = Not Shown

**THESE PARTS BOOKS/FICHE CARD ARE COPYRIGHTED AND MAY NOT BE DISTRIBUTED OR REPRODUCED IN ANY OTHER FORMAT BY ANYONE OTHER THAN MERCURY MARINE WITHOUT THE PRIOR WRITTEN CONSENT OF MERCURY MARINE.**

THIS PAGE INTENTIONALLY LEFT BLANK

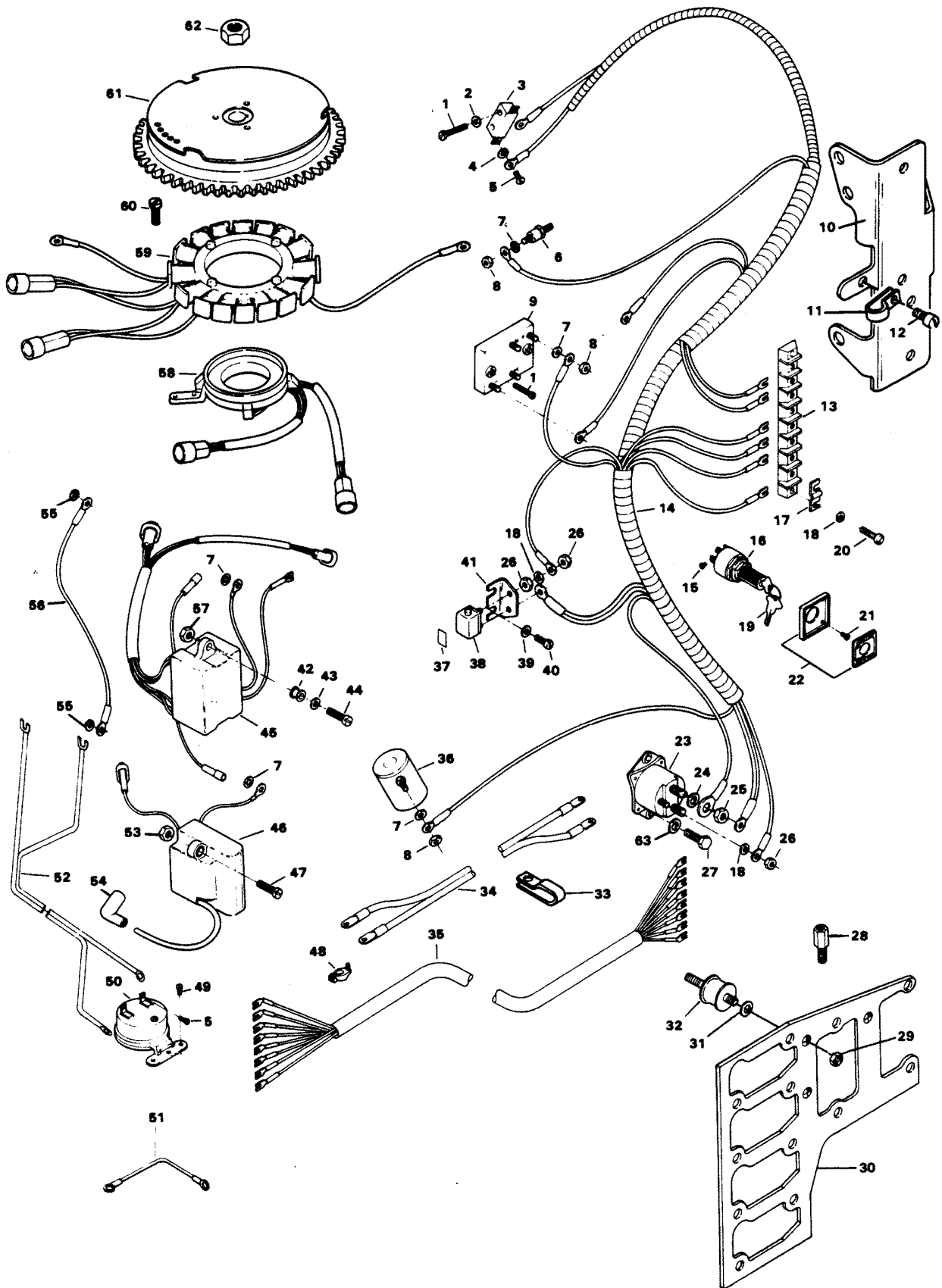
# ENGINE COVER AND SUPPORT PLATE



# ENGINE COVER AND SUPPORT PLATE

REF. NO.	PART NO.	SYM.	QTY.	DESCRIPTION
1	FA480179		1	TRIM TOP <b>W/LITERATURE</b>
2	F1733		10	PAN HD MACHINE SCREW, 10 - 24 X 9/16
3	FA480269		1	TILT HANDLE <b>W/LITERATURE</b>
4	FA552180		1	TRIM REAR <b>W/LITERATURE</b>
5	FA552944		1	ENGINE COVER <b>W/ILLUS. 2, 30 AND 31</b>
-	<b>3C612944</b>		<b>1</b>	<b>ENGINE COVER COMPLETE INCLUDES ALL ITEMS MARKED WITH AN ASTERISK (*). ORDER NUMERAL SEPARATE</b>
6	FA615386		2	DECAL, NUMERAL <b>W/LITERATURE</b>
7	FA612397		1	DECAL, PORT <b>W/LITERATURE</b>
-	<b>FA612396</b>		<b>1</b>	<b>DECAL, STARBOARD W/LITERATURE</b>
8	FA481469		1	HANDLE <b>W/SHAFT</b>
9	F480818		2	BEARING
10	F1864		6	HEX CAP SCREW, 1/4 - 20 X 3/4
11	F480038-2		1	SUPPORT PLATE
12	F549189		1	BUSHING, ELECTRIC CABLE
13	F545189		1	BUSHING, CABLE ENTRY
14	F1922		5	HEX CAP SCREW, 1/4 - 20 X 5/8
15	F335654-1		1	DEFLECTION STOP
16	F8096		4	SPRING LOCKWASHER
17	F1857		2	HEX CAP SCREW, 5/16 - 18 X 5/8
18	F1858		2	HEX CAP SCREW, 5/16 - 18 X 1
19	F1854		1	HEX CAP SCREW, 1/4 - 20 X 5/8
20	F8083		1	SPRING LOCKWASHER
21	F8094		1	PLAIN WASHER
22	F481777		1	CAM, LATCH
23	F481382-1		1	SPACER, LATCH SHAFT
24	F2047		1	WAVE SPRING LOCKWASHER
25	F321756		1	PACKING COVER
26	F481774		1	BRACKET, COVER LATCH
27	FA481743		1	ROLLER BRACKET <b>W/ROLLER</b>
28	F8096		2	SPRING LOCKWASHER
29	F1857		2	HEX CAP SCREW, 5/16 - 18 X 5/8
30	F1473		7	HEX NUT
31	F373778-1		1	RETAINER, ENGINE COVER
32	F2066		30	PAN HD TAPPING SCREW, 10 X 7/16 (TRIM TO COVER)
33	FA552888		1	TRIM, FRONT <b>W/LITERATURE</b>
34	F1730		3	PAN HD SCREW <b>W/SPRING LOCKWASHER, 1/4 - 20 X 5/8</b>
35	F2088		2	FASTENER
36	F481434		2	GUIDE, ENGINE COVER
37	F1708		2	HEX HD SCREW, 1/4 - 20 X 1-3/8
-	<b>F548984</b>		<b>1</b>	<b>BLANKET, SILENCER TOP (NOT SHOWN)</b>
-	<b>F552985</b>		<b>2</b>	<b>BLANKET, SILENCER SIDE (NOT SHOWN)</b>

# ELECTRICAL COMPONENTS

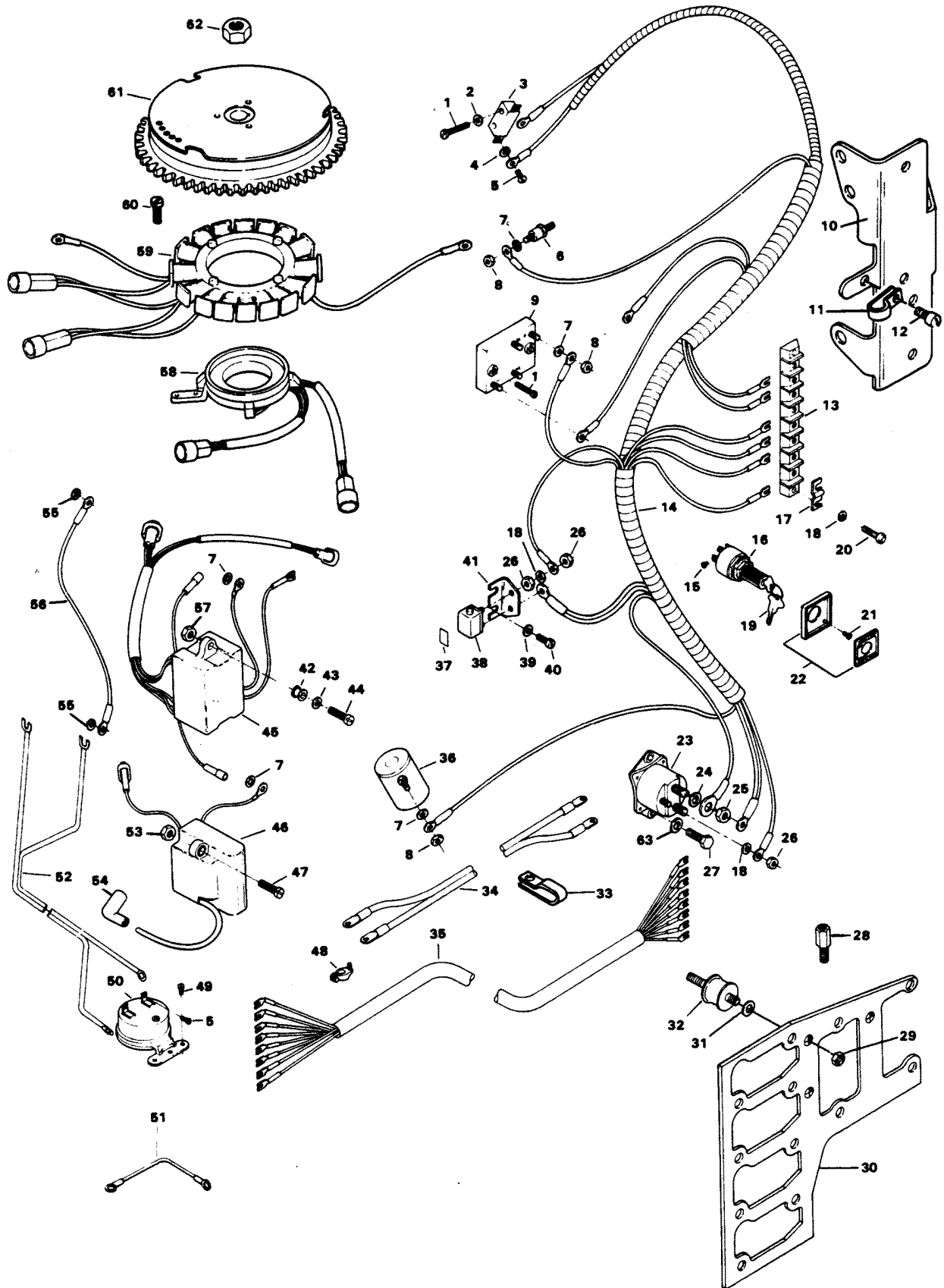


# ELECTRICAL COMPONENTS

REF. NO.	PART NO.	SYM.	QTY.	DESCRIPTION
1	F2016		4	SLOTTED FILL HD SCREW, 6 - 32 X 7/8
2	F8088		2	PLAIN WASHER
3	F84449		1	NEUTRAL INTERLOCK SWITCH
4	F1704		2	INTERNAL TOOTH LOCKWASHER
5	F1645		2	RD HD SCREW, 6 - 32 X 1/4
6	87-817939A1		1	THERMOSWITCH
7	F8056		5	SPRING LOCKWASHER
8	F1647		5	HEX NUT, 8 - 32
9	F369450		1	RECTIFIER
10	FA439493		1	BRACKET, TERMINAL BLOCK
11	F289446-1		1	CLAMP, REMOTE ELEC. CABLE TO BRACKET
12	F1734		2	FILL HD. SCREW, 1/4 - 20 X 1/2
13	FA510497		1	TERMINAL BLOCK <b>W/ILLUSTRATION 20 ORIGINAL FORCE P/N K 289497-2</b>
14	F615744		1	WIRING HARNESS
15	F1280		5	SLOTTED PAN HD SCREW, 8 - 32 X 1/4
16	F5H078		1	SWITCH, IGNITION (ACCESSORY ITEM) LONG BARREL <b>W/KEYS AND SCREWS</b>
17	F307317		2	CLIP, TERMINAL BLOCK GROUND
18	F1975		4	LOCKWASHER
19	FA368700		-	KEY IGNITION - NO LETTER OR STAMPED A
-	<b>FB368700</b>		-	<b>KEY IGNITION - STAMPED B</b>
-	<b>FC368700</b>		-	<b>KEY IGNITION - STAMPED C</b>
-	<b>FD368700</b>		-	<b>KEY IGNITION - STAMPED D</b>
-	<b>FE368700</b>		-	<b>KEY IGNITION - STAMPED E</b>
-	<b>FA27232</b>		1	<b>EMERGENCY STARTER ROPE (NOT SHOWN)</b>
20	F1648		2	PAN HD SCREW, 10 - 24 X 3/4
21	F1934		4	FLAT HD SCREW, 6 X 1/2
22	F5H038		1	IGNITION SWITCH MOUNTING KIT (ACCESSORY ITEM)
-	<b>817892--1</b>		1	<b>IGNITION SWITCH PLATE - CANADA (NOT SHOWN)</b>
23	F460917		1	STARTER RELAY
24	F8096		6	SPRING LOCKWASHER
25	F1515		2	HEX NUT, S.S., 5/16 - 18
26	F1513		6	HEX NUT, 10 - 32
27	F1705		3	HEX CAP SCREW, 1/4 - 20 X 3/4
28	F322273		1	STUD
29	F1515		3	HEX NUT, 5/16 - 18
30	F615358		1	BRACKET (C.D. - COIL)
31	F1955		3	PLAIN WASHER
32	F215962		3	MOUNT (SHOCK - C.D. UNIT)
33	F407446		1	CLAMP
34	F381896-4		1	BATTERY CABLE
35	F85843-1		1	ELECTRIC CONTROL CABLE, 18 FEET
36	F85924		1	CHOKE SOLENOID

CONTINUED ON NEXT PAGE ➡

# ELECTRICAL COMPONENTS

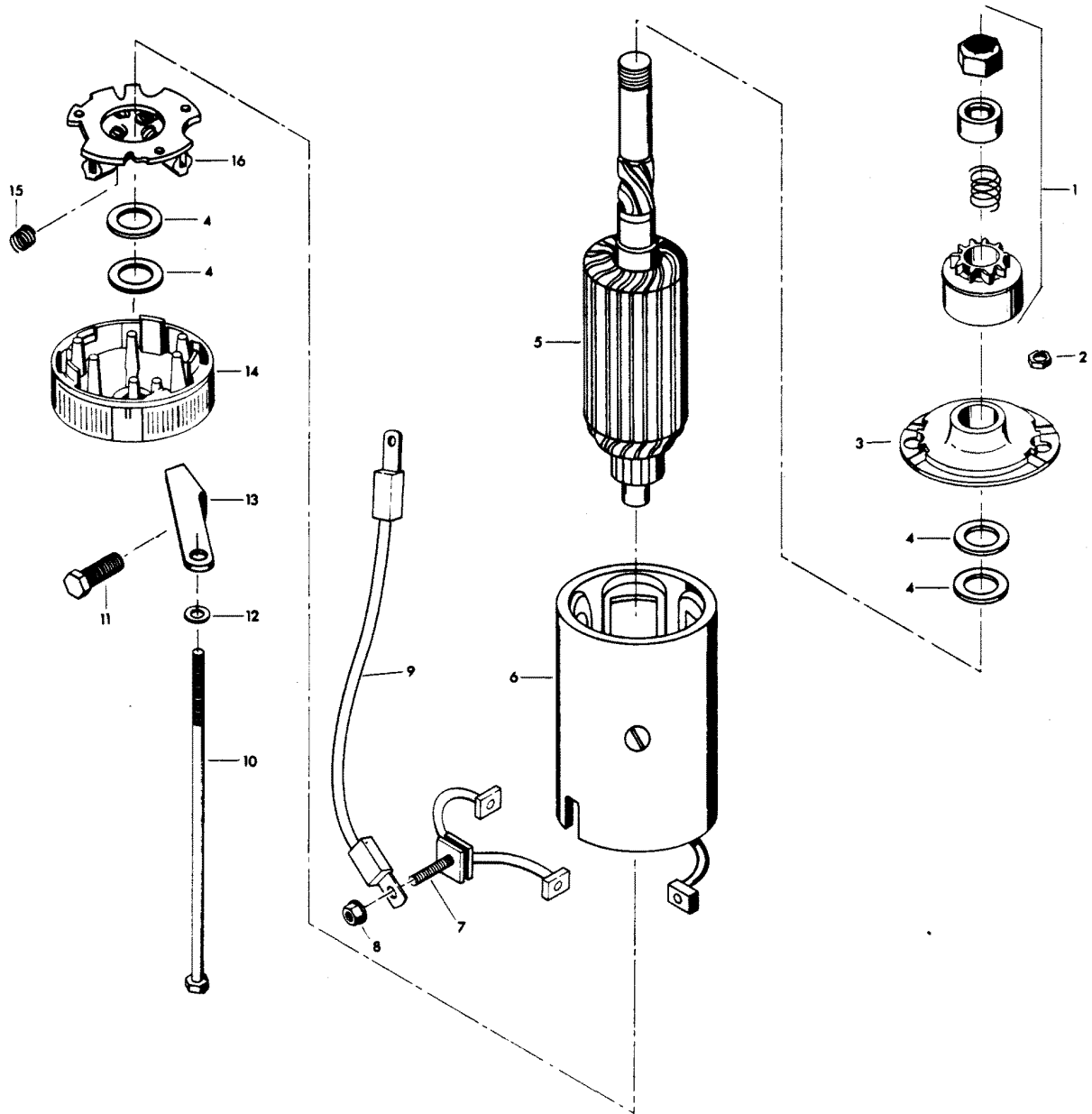




# ELECTRICAL COMPONENTS

REF. NO.	PART NO.	SYM.	QTY.	DESCRIPTION
37	F510374		1	DECAL, CIRCUIT BREAKER - USA
-	<b>FC510374</b>		<b>1</b>	<b>DECAL, CIRCUIT BREAKER - CANADA</b>
38	F510460		1	CIRCUIT BREAKER
39	F8011		2	PLAIN WASHER
40	F1760		2	SLOTTED PAN HD SCREW, 10 - 24 X 3/8
41	F91446-1		1	CIRCUIT BREAKER BRACKET
42	F475504		4	BUSHING
43	F8028		4	PLAIN WASHER
44	F2008		4	HEX HD. M. SC., 1/4 - 20 X 7/8
45	F475301-1		2	MODULE
46	F615475		4	IGNITION COIL
47	F1038		8	SLOTTED PAN HD. SCREW 1/4 - 20 X 3/4
48	F71H26		1	BATTERY TERMINAL KIT (ACCESSORY ITEM)
49	F1741		2	PAN HD SCREW, 8 X 3/4
50	F5H043		1	BUZZER, HEAT INDICATOR, (ACCESSORY ITEM)
51	F345683		1	WIRE, GROUND
52	F404841		1	CABLE, HEAT INDICATOR
53	F1341		8	NUT, 1/4 - 20
54	FK1123		4	SPARKIE KIT
55	F2106		2	LOCKWASHER
56	F319908		1	WIRE, GROUND (C.D. - COIL BRACKET)
57	F1832		4	NUT, LOCK 1/4 - 20
58	F615029		2	TRIGGER ASSY.
59	FA615095		1	ALTERNATOR STATOR
60	F1550		4	SLOTTED PAN HD. SCREW #2 - 24 X 1
61	F615097		1	FLYWHEEL
63	F8083		1	SPRING LOCKWASHER
64	F1877		1	TY-RAP (NOT SHOWN)

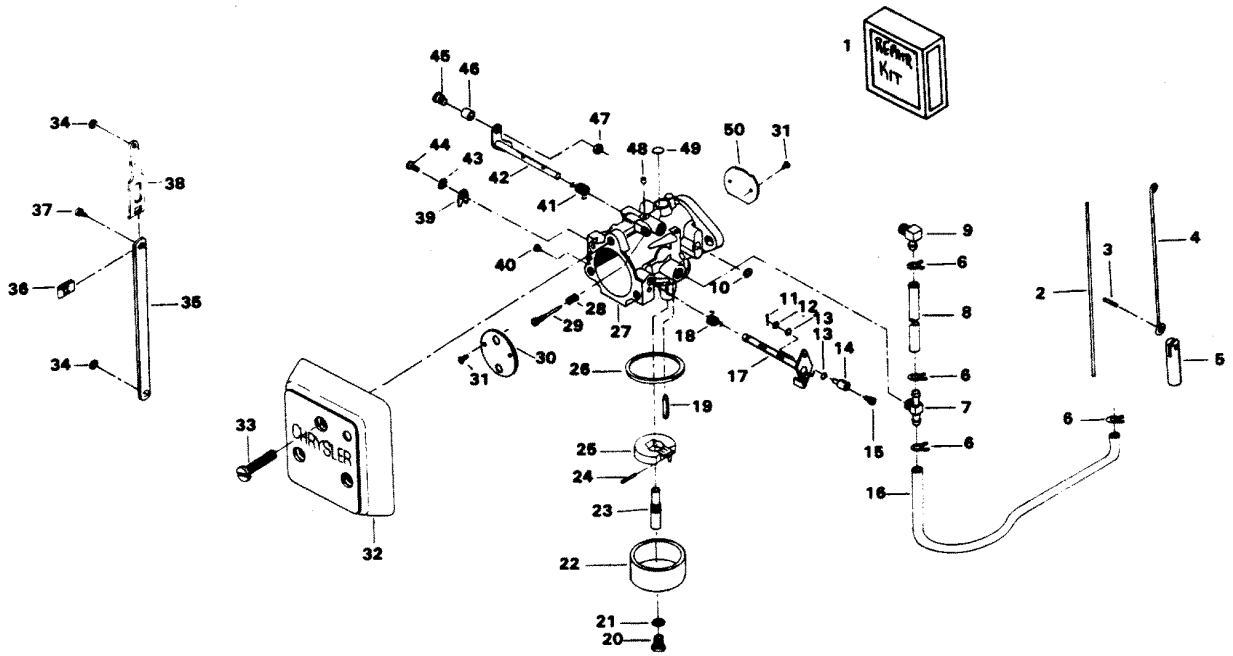
# STARTER



# STARTER

REF. NO.	PART NO.	SYM.	QTY.	DESCRIPTION
1	F15118		1	BENDIX DRIVE ASSEMBLY
2	F1641		2	LOCK NUT, 1/4 - 28
3	F15167		1	HEAD ASSEMBLY, DRIVE END
4	F15126		1	THRUST WASHER PACKAGE
5	F15099		1	ARMATURE
6	F15166		1	FRAME AND FIELD ASSEMBLY
7	F15054		1	BRUSH AND TERMINAL SET
8	FA15072		1	HEX LOCK NUT, 1/4 - 20 W/WASHER
9	F85908		1	STARTER LEAD WIRE
10	F15168		1	THRU BOLT PACKAGE
11	F1922		1	HEX CAP SCREW, 1/4 - 20 X 5/8
12	F8028		2	PLAIN WASHER
13	F511675		1	STARTER BRACKET, LOWER
14	F15125		1	HEAD ASSEMBLY, COMMUTATOR END
15	F15034		1	SPRING SET
16	F15057		1	BRUSH PLATE AND HOLDER ASSEMBLY
-	<b>F490955</b>		<b>1</b>	<b>STARTER COMPLETE</b>
-	<b>FC500390</b>		<b>1</b>	<b>DECAL, STARTER - CANADA (NOT SHOWN)</b>

# CARBURETOR

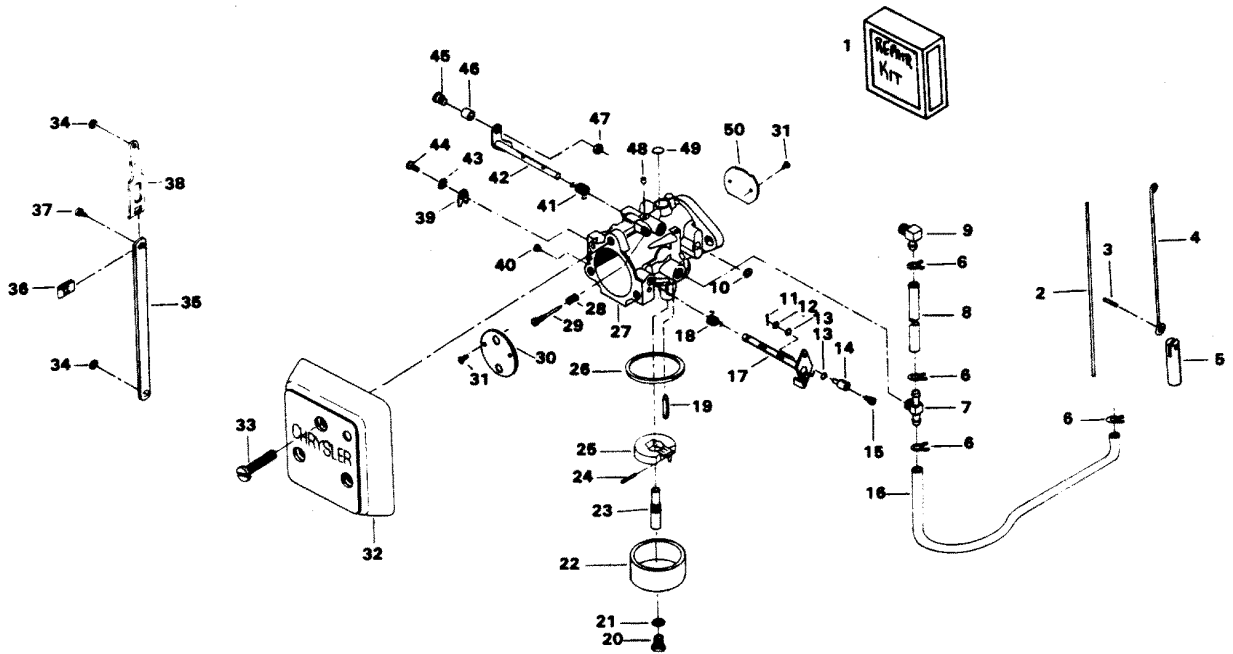


# CARBURETOR

REF. NO.	PART NO.	SYM.	QTY.	DESCRIPTION
1	FK10103		1	REPAIR PARTS KIT. INCLUDES ALL ITEMS MARKED WITH AN ASTERISK (*)
2	F85509-1		1	LINK, CHOKE
3	F2033		1	GROOVE PIN
4	F440925		1	CHOKE ROD
5	F391926-1		1	PLUNGER
6	F97772		4	CLAMP
7	F85314-1		1	FUEL FITTING
8	F178754-1		1	FUEL LINE
9	F84314-2		1	ELBOW
10	FO16620		1	E-RING
11	F1014		2	COTTER PIN
12	F8088		3	PLAIN WASHER
13	F184579		5	O-RING SEAL
14	F184033-1		1	SWIVEL, TOP CARBURETOR
15	F1059		2	FILL HD SCREW, 6 - 32 X 1/4
16	F438754		1	FUEL LINE
17	FO16301		1	CHOKE SHAFT AND LEVER
18	FO17885		1	CHOKE SHAFT RETURN SPRING
19	FK10107		1	INLET NEEDLE AND SEAT <b>W/LITERATURE</b>
20	FO16132		1	FUEL BOWL RETAINING SCREW
21	FO5323		2	FUEL BOWL RETAINING SCREW GASKET
-	<b>F85033</b>		<b>1</b>	<b>SWIVEL, CHOKE ROD (BOTTOM CARBURETOR) (NOT SHOWN)</b>
-	<b>F10023</b>		<b>1</b>	<b>GASKET SET (NOT SHOWN)</b>
22	FO16130		1	FUEL BOWL
23	FO16133		1	MAIN NOZZLE
24	FO13944		1	FLOAT LEVER PIN
25	FO13554		1	FLOAT
26	FO15623		1	FUEL BOWL GASKET
27	F490061-1		2	CARBURETOR COMPLETE (TC-6B)
28	FO11103		1	IDLE MIXTURE SCREW SPRING
29	FO14166		1	IDLE MIXTURE SCREW
30	FO17719		1	CHOKE, SHUTTER
31	FO8942		4	CHOKE AND THROTTLE SHUTTER SCREW
32	F511708		2	COVER, CARBURETOR
33	F1034		6	PAN HD SCREW, 1/4 - 20 X 1-3/8
34	F90807		2	RETAINING RING
35	FA178233		1	THROTTLE TIE BAR W/SWIVEL
36	F1693		1	TIE BAR RETAINER NUT
37	F1064		1	FILL HD SCREW, 8 - 32 X 3/8
38	FA85193		1	TIE BAR END W/SWIVEL
39	FO9678		1	CLIP, CHOKE SHAFT
40	FO14191		1	MAIN FUEL JET STD. .0937 SEA LEVEL - 1500 FT.

CONTINUED ON NEXT PAGE ➡

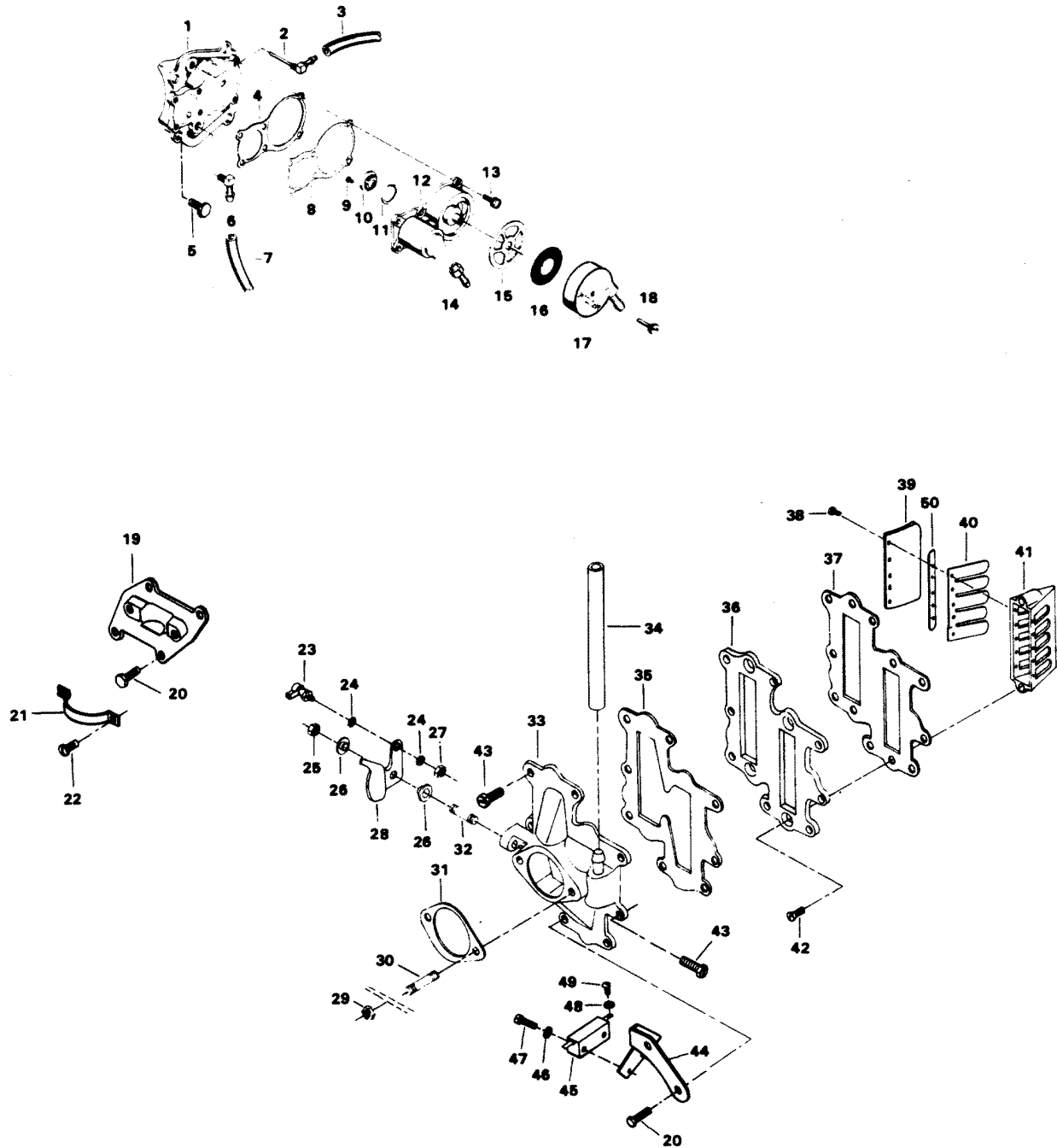
# CARBURETOR



# CARBURETOR

REF. NO.	PART NO.	SYM.	QTY.	DESCRIPTION
-	FO14190		-	MAIN FUEL JET OPT. .092 1500 - 3000 FT.
-	FO15406		-	MAIN FUEL JET OPT. .090 3000 - 4500 FT.
-	FO13193		-	MAIN FUEL JET OPT. .088 4500 - 6000 FT.
-	FO13949		-	MAIN FUEL JET OPT. .086 6000 FT & UP
41	FO16143		1	THROTTLE SHAFT RETURN SPRING
42	FO17884		1	THROTTLE SHAFT AND LEVER
43	FO992		1	LOCKWASHER
44	FO1974		1	SCREW
45	F333316		1	THROTTLE ROLLER SHAFT
46	F92759		1	THROTTLE ROLLER
47	F1997		1	STOP NUT, 8 - 32
48	FO10588		5	BODY CHANNEL CUP PLUG
49	FO16128		1	BODY CHANNEL WELCH PLUG
50	FO16142		1	THROTTLE SHUTTER

# FUEL PUMP AND REED PLATE



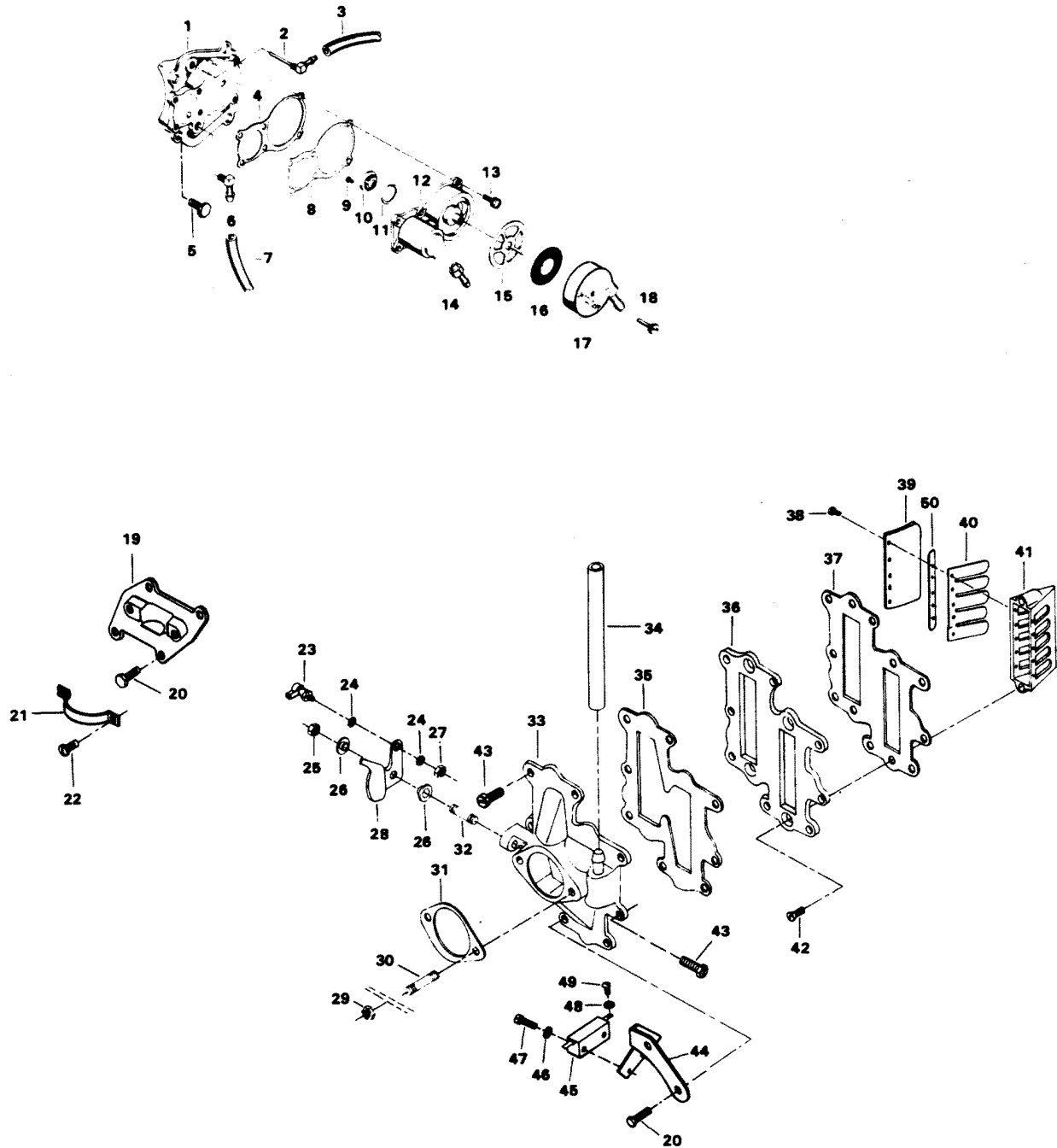


# FUEL PUMP AND REED PLATE

REF. NO.	PART NO.	SYM.	QTY.	DESCRIPTION
1	FA439746		1	FUEL PUMP COVER W/PLUG
2	F404314		1	ELBOW, FUEL PUMP COVER
3	F441754-1		1	HOSE
4	F438760		1	FUEL PUMP GASKET
5	F1922		4	HEX CAP SCREW, 1/4 - 20 X 5/8
6	F84314-2		1	ELBOW
7	F89758		1	FUEL PUMP AIR HOSE - TOP
8	F438747		1	FUEL PUMP DIAPHRAGM
9	F1860		2	RD HD SCREW, 6 - 32 X 1/4
10	F177330		3	FUEL PUMP VALVE
11	F84792		1	GASKET, CENTER FUEL PUMP VALVE
12	FA438431		1	FUEL PUMP BODY W/VALVES
13	F1108		6	FILL HD SCREW, 1/4 - 20 X 3/4
14	F438801		1	FITTING
15	F438617		1	FUEL SEDIMENT BOWL GASKET
16	F438653		1	FUEL SEDIMENT BOWL SCREEN
17	F438500		1	FUEL SEDIMENT BOWL
18	F438165		1	SCREW, FUEL PUMP BOWL
19	F372958		1	CHOKE BRACKET
20	F1532		6	HEX HD SCREW, 1/4 - 20 X 1
21	F85317-1		1	SOLENOID CLAMP
22	F1236		2	SCREW, 1/4 - 20 X 1/2
23	817747--1		1	BALL JOINT W/STUD
24	F8058		2	INTERNAL TOOTH LOCKWASHER
25	F1910		1	STOP NUT, 1/4 - 20
26	F269319		2	THROTTLE CAM BEARING
27	F1513		1	HEX NUT, 10 - 32
28	F440192-1		1	THROTTLE CAM
29	F1346		4	HEX NUT
30	F440209		4	CARBURETOR STUD
31	F440906		2	CARBURETOR GASKET
32	F433209-1		1	THROTTLE CAM STUD
33	FA440167		1	CARBURETOR ADAPTER, LOWER W/FITTING AND ILLUS. 30
-	<b>FA440157</b>		<b>1</b>	<b>CARBURETOR ADAPTER, UPPER W/FITTING AND ILLUS. 30</b>
34	F440254		1	BALANCE TUBE
35	F178168-1		1	GASKET, CARBURETOR ADAPTER
36	F178404-1		2	DEFLECTOR PLATE
37	F406406		2	GASKET DEFLECTOR PLATE
38	F1755		40	ROUND HD SCREW W/LOCKWASHER 6 - 32 X 1/4
39	F85161-1		8	REED STOP
40	F530160		8	REED (5 PETAL)
41	F3A523158		4	REED PLATE W/ILLUS. 38, 39, 40, 44 AND 51
42	F1831		8	FLAT HD SCREW, 1/4 - 20 X 5/8

CONTINUED ON NEXT PAGE ➡

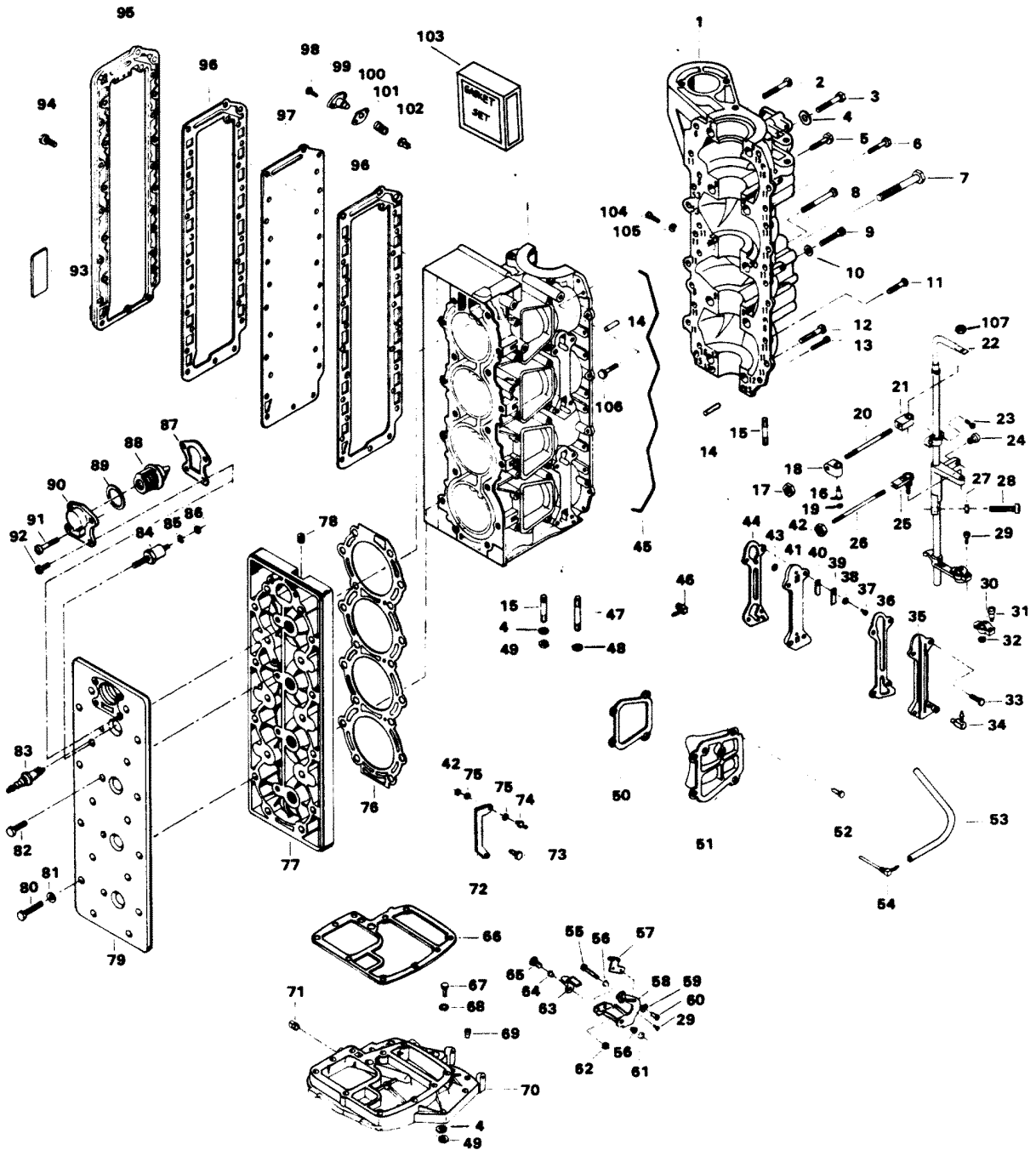
# FUEL PUMP AND REED PLATE



## FUEL PUMP AND REED PLATE

REF. NO.	PART NO.	SYM.	QTY.	DESCRIPTION
43	F2008		10	HEX HD SCREW, 1/4 - 20 X 7/8
44	F489551		1	BRACKET NEUTRAL INTERLOCK SWITCH
49	F1645		2	RD HD SCREW, 6 - 32 X 1/4
50	F523451		8	SPACER, REEDS STOP
-	<b>F500894</b>		<b>1</b>	<b>POINTER, TIMING</b>

# POWER HEAD

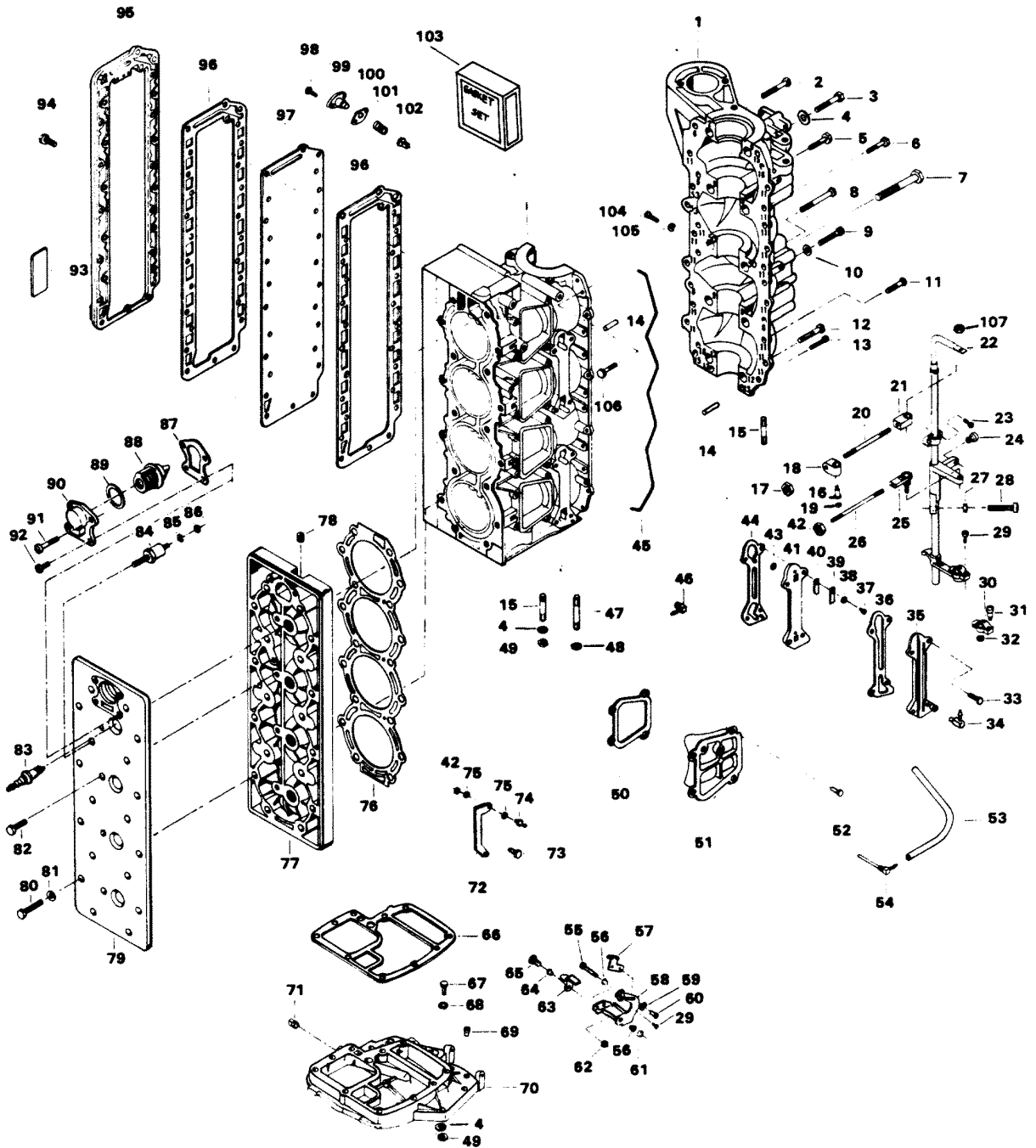


# POWER HEAD

REF. NO.	PART NO.	SYM.	QTY.	DESCRIPTION
1	FA615010		1	CYLINDER W/CRANKCASE COVER, ILLUS. 2, 3, 7, 9, 12, 14, 45 AND 47
-	<b>FC615010</b>		1	<b>SHORT BLOCK CONTAINS ALL ITEMS MARKED WITH AN ASTERISK (*). ALSO REFER TO CRANKSHAFT PAGE.</b>
2	F1874		1	HEX HD SCREW, 3/8 - 16 X 1/8
3	F1009		1	HEX HD SCREW, 3/8 - 16 X 2-3/4
4	F8038		4	PLAIN WASHER
5	F2008		2	HEX HD SCREW, 1/4 - 20 X 7/8
6	F2008		3	HEX HD SCREW, 1/4 - 20 X 7/8
7	F1873		2	HEX CAP SCREW, 3/8 - 16 X 3
8	F1699		1	HEX HD SCREW, 1/4 - 20 X 1-1/8
9	F1253		4	HEX SOCKET HD CAP SCREW, 3/8 - 16 X 2
10	F8104		4	PLAIN WASHER
11	F1864		16	HEX HD SCREW, 1/4 - 20 X 3/4
12	F1872		2	HEX CAP SCREW, 3/8 - 16 X 1-3/4
13	F1099		2	FILL HD SCREW, 1/4 - 20 X 1-1/4
14	F8563		2	DOWEL PIN
15	F85859		4	STUD
16	F499026		1	SWIVEL
17	F2015		1	HEX NUT, 1/4 - 28
18	F499035		1	END, CONTROL ROD (TO TOWERSHAFT)
19	F2042		1	PLAIN WASHER
20	F85445		1	CONTROL ROD
21	F499036		1	END, CONTROL ROD (TO TRIGGER)
22	817960A2		1	TOWERSHAFT W/SWIVEL, BEARINGS AND SCREWS
23	F1475		4	FILL HD SCREW, 10 - 24 X 1/2
24	F1727		1	PLASTIC RIVET
25	817747--1		1	BALL JOINT W/STUD
26	F85502		1	THROTTLE LINK
27	F1341		1	HEX NUT, 1/4 - 20
28	F1052		1	FILL HD SCREW, 1/4 - 20 X 1
29	F1556		2	FILL HD SCREW, W/LOCKWASHER, 10 - 24 X 3/8
30	FK405020		2	SWIVEL W/CLAMP, SHOULDER SCREW AND NUT
31	F405457		1	PIVOT SCREW
32	F7008		1	ELASTIC STOP NUT
33	F1532		8	HEX HD SCREW, 1/4 - 20 X 1
34	22-818103--1		1	ELBOW, CYLINDER DRAIN LOWER
-	<b>F404801</b>		1	<b>ELBOW, CYLINDER DRAIN UPPER (NOT SHOWN)</b>
35	F406471-1		2	CYLINDER DRAIN COVER
36	F84472-5		2	GASKET, CYLINDER DRAIN COVER
37	F1286		4	PAN HD SCREW, 4 - 40 X 3/16
38	F8003		4	PLAIN WASHER
39	F93920		4	REED STOP
40	F18160-2		4	CYLINDER DRAIN REED

CONTINUED ON NEXT PAGE ➡

# POWER HEAD

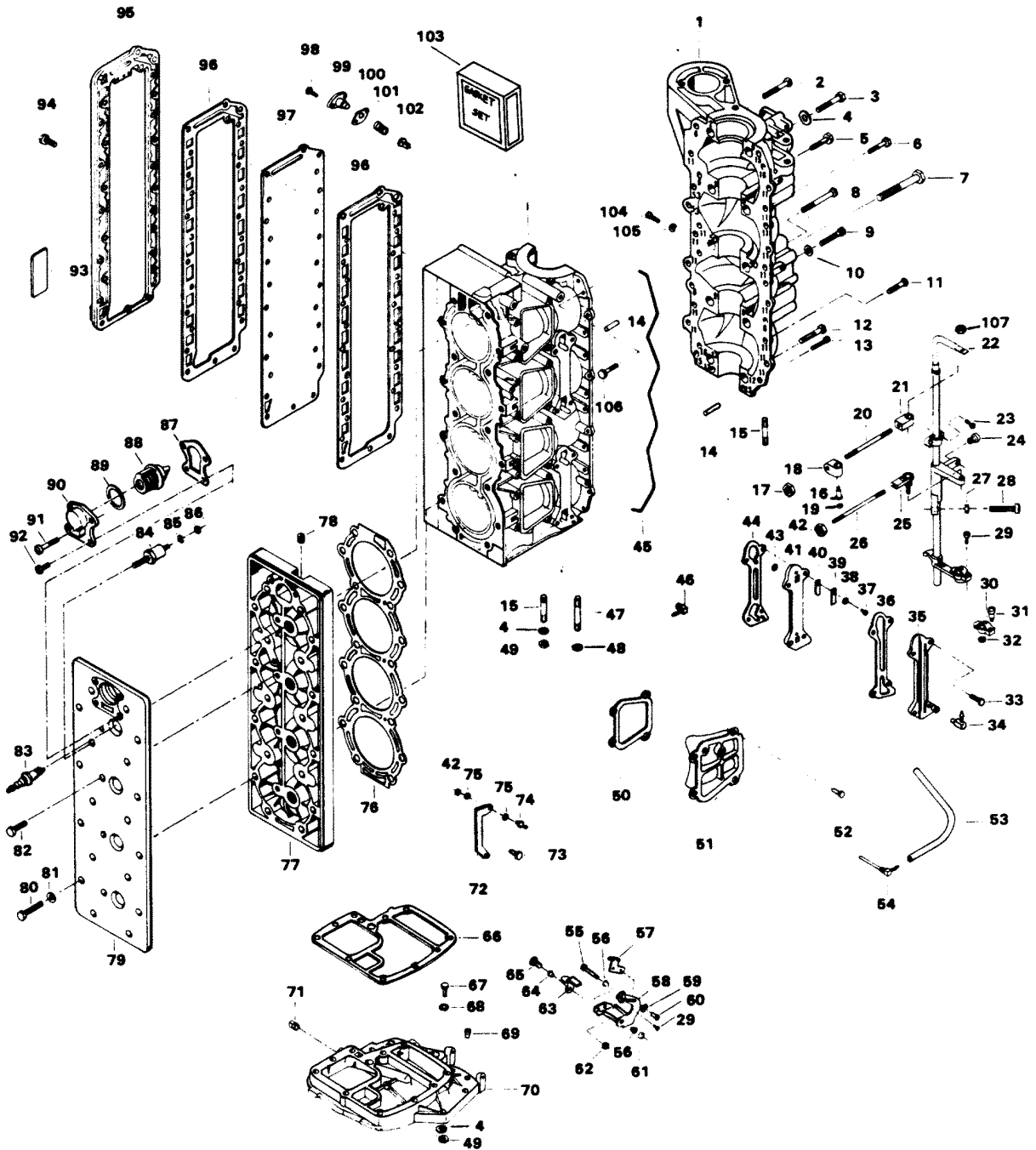


# POWER HEAD

REF. NO.	PART NO.	SYM.	QTY.	DESCRIPTION
41	F2A476757		2	CYLINDER DRAIN REED PLATE <b>W/ILLUS. 37, 38, 39 40 AND 43</b>
42	F1513		4	HEX NUT, 10 - 32
43	F93811		4	SCREEN
44	F84748-3		2	GASKET, CYL. DRAIN REED PLATE
45	F184122-1		1	SEAL, PARTING LINE
46	F84314-2		1	ELBOW
47	F85211		6	STUD
48	F8095		12	PLAIN WASHER
49	F7004		10	STOP NUT, 3/8 - 16
50	F40223		4	GASKET, TRANSFER PORT COVER
51	FA411222		3	TRANSFER PORT COVER <b>W/ILLUS. 78</b>
52	F1922		9	HEX CAP SCREW, 1/4 - 20 X 5/8
53	F406754-1		1	HOSE
54	F404314		1	FITTING
55	F1885		1	HEX BOLTS. S.S., 5/16 - 18 X 4-1/4
56	F85610		2	BEARING
57	F480107-1		1	CAM STARTER INTERLOCK
58	FA480876		1	GEAR SHIFT ARM <b>W/ILLUS. 30, 56, 62, 63, 64 AND 65</b>
59	F2042		2	PLAIN WASHER
60	F2089		2	SLOTTED PAN HD M. SCREW 10 - 24 X 5/16
61	F2108		1	STOP NUT, 5/16 - 18
62	F1832		1	STOP NUT, 1/4 - 20
63	F369977-1		1	INTERLOCK ARM
64	F369610		1	BEARING
65	F369887		1	SHOULDER SCREW
66	F85279-2		1	GASKET, CYLINDER EXHAUST UPPER
67	F1869		6	HEX CAP SCREW, 3/8 - 16 X 1-1/4
68	F1703		6	LOCKWASHER
69	F40689-1		1	BEARING
70	817788A3		1	SPACER PLATE <b>W/ILLUS. 71 ORIGINAL FORCE P/N A 404680-1</b>
71	F2090		1	PLUG
72	FS85872-1		1	BRACKET
73	F1864		2	HEX CAP SCREW, 1/4 - 20 X 3/4
74	F98273		2	ROD END CONNECTOR STUD
75	F8058		4	INTERNAL TOOTH LOCKWASHER
76	F476529-1		1	CYLINDER HEAD GASKET
77	FA615518		1	CYLINDER HEAD <b>W/ILLUS. 78</b>
78	F19109		1	PLUG
79	F528995		1	COVER, CYLINDER HEAD
80	F2049		18	HEX CAP SCREW, 5/16 - 18 X 2-5/8
81	F1987		18	PLAIN WASHER
82	F2008		4	HEX CAP SCREW, 1/4 - 20 X 7/8

CONTINUED ON NEXT PAGE ➡

# POWER HEAD

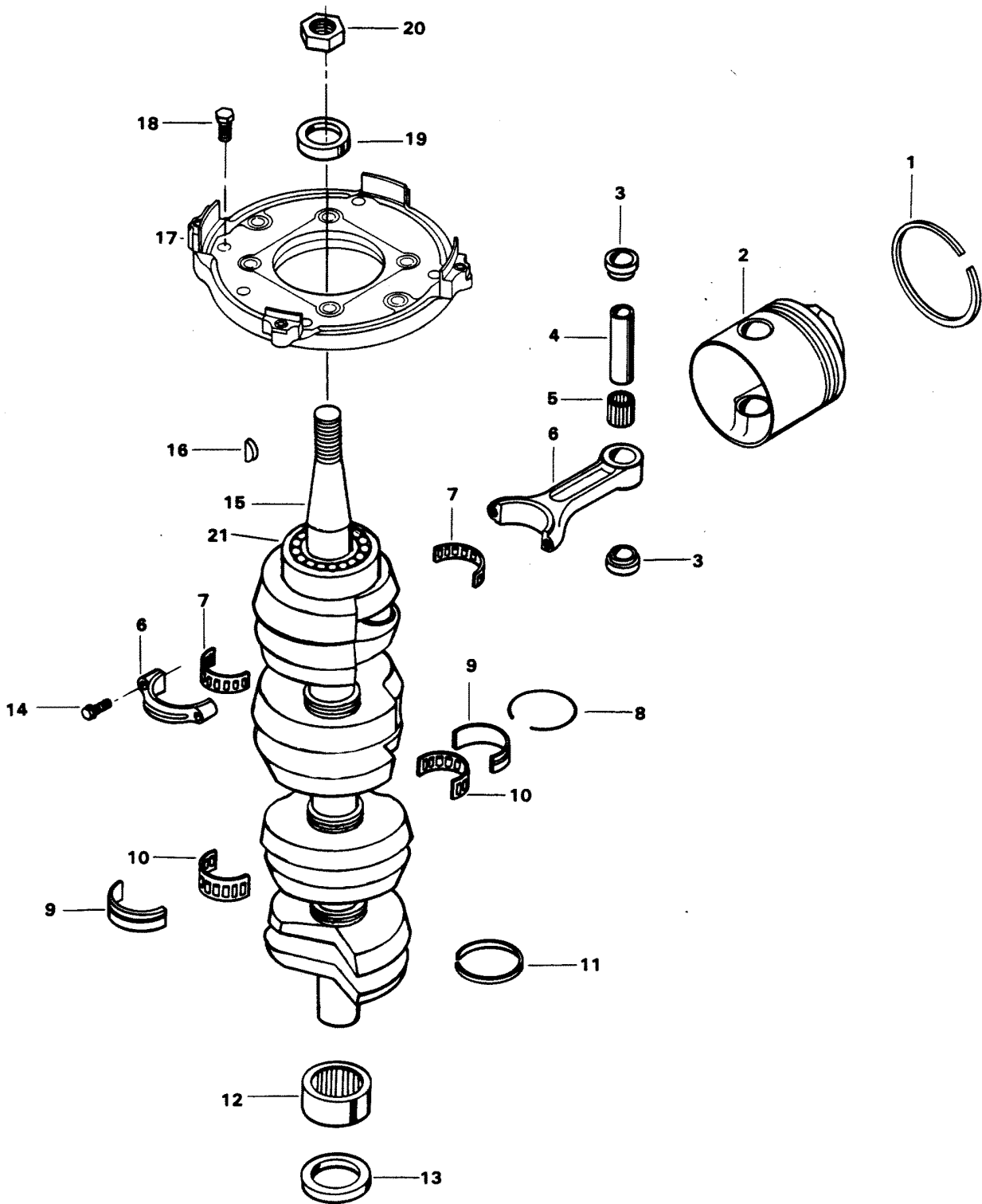




# POWER HEAD

REF. NO.	PART NO.	SYM.	QTY.	DESCRIPTION
83	33-818007--1		4	SPARK PLUG (CHAMPION UL18V) - USA
-	<b>C523227</b>		<b>4</b>	<b>SPARK PLUG (CHAMPION QL-76V) - CANADA.</b>
85	F8056		1	LOCKWASHER
86	F1647		1	HEX NUT, 8 - 32
87	F476067		1	GASKET
88	F528068		1	THERMOSTAT
89	F84504		1	GROMMET (THERMOSTAT)
90	F476066-1		1	THERMOSTAT COVER
91	F1099		2	FILL HD SCREW, 1/4 - 20 X 1-1/4
92	F1107		2	SLOTTED FILL HD SCREW, 1/4 - 20 X 3/4
93	F499398		1	DECAL, WIRING - USA
94	F1699		27	HEX BOLT, 1/4 - 20 X 1-1/8
95	F372152-2		1	EXHAUST PORT COVER
96	F372154-1		2	GASKET, EXHAUST PORT PLATE
97	F372151-1		1	EXHAUST PORT PLATE
98	F1950		2	HEX CAP SCREW, 10 - 24 X 5/8
99	F438066		1	BY-PASS VALVE COVER
100	F85762		1	BY-PASS VALVE COVER GASKET
101	F404268		1	BY-PASS VALVE SPRING
102	F85916-1		1	BY-PASS VALVE
103	FG1019		1	GASKET SET (INCLUDES THE FOLLOWING)
-	<b>F40223</b>		<b>4</b>	<b>TRANSFER PORT COVER GASKET</b>
-	<b>F84472-5</b>		<b>2</b>	<b>CYLINDER DRAIN COVER GASKET</b>
-	<b>F84748-3</b>		<b>2</b>	<b>CYLINDER DRAIN REED PLATE GASKET</b>
-	<b>F85279-2</b>		<b>1</b>	<b>CYLINDER EXHAUST UPPER GASKET</b>
-	<b>F85762</b>		<b>1</b>	<b>BY-PASS COVER GASKET</b>
-	<b>F85906</b>		<b>2</b>	<b>CARBURETOR GASKET</b>
-	<b>F178168-1</b>		<b>2</b>	<b>CARBURETOR ADAPTER GASKET</b>
-	<b>F184122-1</b>		<b>1</b>	<b>SEAL</b>
-	<b>F372154-1</b>		<b>2</b>	<b>EXHAUST PLATE GASKET</b>
-	<b>F406406</b>		<b>2</b>	<b>DEFLECTOR PLATE GASKET</b>
-	<b>F440906</b>		<b>2</b>	<b>CARBURETOR GASKET</b>
-	<b>F476067</b>		<b>1</b>	<b>THERMOSTAT COVER GASKET</b>
-	<b>F476529-1</b>		<b>1</b>	<b>CYLINDER HEAD GASKET</b>
104	F2000		1	HEX CAP SCREW, 5/16 - 18 X 3/4
105	F8096		1	SPRING LOCKWASHER
106	F1532		2	HEX HD SCREW, 1/4 - 20 X 1
107	F7009		1	LOCK NUT, #10 - 24

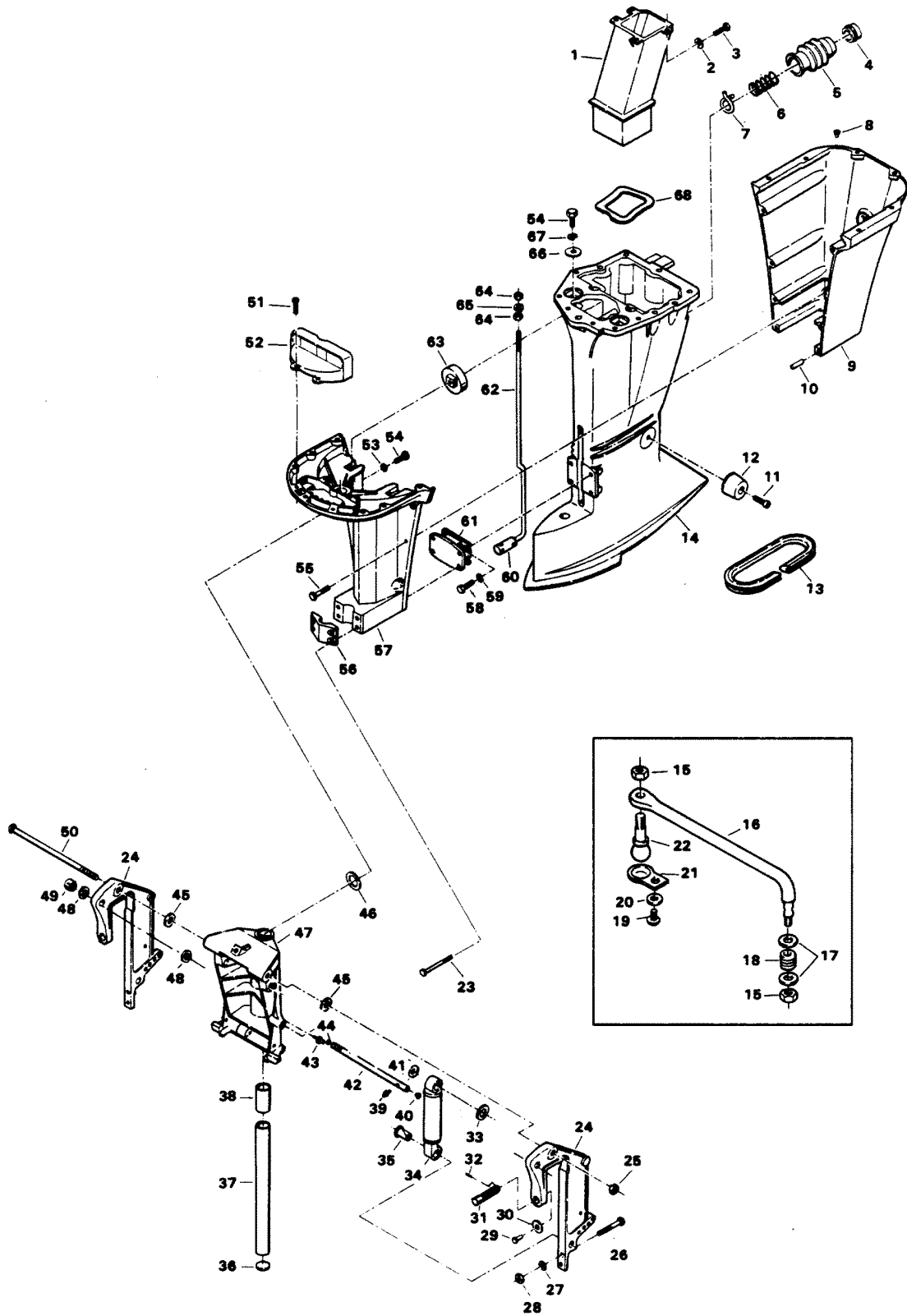
# CRANKSHAFT AND PISTON GROUP



# CRANKSHAFT AND PISTON GROUP

REF. NO.	PART NO.	SYM.	QTY.	DESCRIPTION
1	FA335260		4	PISTON RING SET (2 PER SET) - STANDARD
-	<b>FSA335260</b>		<b>4</b>	<b>PISTON RING (2 PER SET) .010 OVERSIZE</b>
-	<b>39-818110A1</b>		<b>4</b>	<b>PISTON RING (2 PER SET) .030 OVERSIZE</b>
2	700-F372015-3		4	PISTON - STANDARD
-	<b>700-817988A2</b>		<b>4</b>	<b>PISTON .010 OVERSIZE</b>
-	<b>700-818111A2</b>		<b>4</b>	<b>PISTON .030 OVERSIZE</b>
3	F335215		8	SPACER, PISTON PIN (2 PER PISTON)
4	F85017		4	PISTON PIN
5	F335217-1		4	BEARING, PISTON PIN (26 PER SET)
6	600-818052A4		4	CONNECTING ROD <b>W/CAP AND ILLUS. 14 ORIGINAL FORCE P/N S 366016-4</b>
7	FK85228-1		4	BEARING CAGE W/ROLLER
8	F85410		3	SNAP RING
9	FA85655-1		3	CRANKSHAFT MAIN BEARING RACE W/SNAP RING
10	F85571		3	BEARING CAGE W/ROLLER
11	F316579		3	SEAL, CRANKCASE
12	FA523014		1	CRANKSHAFT LOWER MAIN BEARING <b>W/ILLUS. 13</b>
13	F523146		1	SEAL, CRANKSHAFT LOWER
14	F85634-2		8	CONNECTING ROD SCREW
15	FA528018		1	CRANKSHAFT <b>W/ILLUS. 21</b>
16	F85498		1	FLYWHEEL KEY
17	F2A615144		1	CRANKSHAFT BEARING CAGE <b>W/ILLUS. 19</b>
18	F2081		5	HEX SOC. HD. SCREW, 1/4 - 20 X 3/4
19	F523146		1	SEAL
20	F1968		1	FLYWHEEL NUT
21	F284659-2		1	BEARING, CRANKSHAFT UPPER MAIN
-	<b>F2067</b>		<b>1</b>	<b>PLASTISOL CAP (NOT SHOWN) FOR EXPOSED THREADS OF CRANKSHAFT</b>

# MOTOR LEG

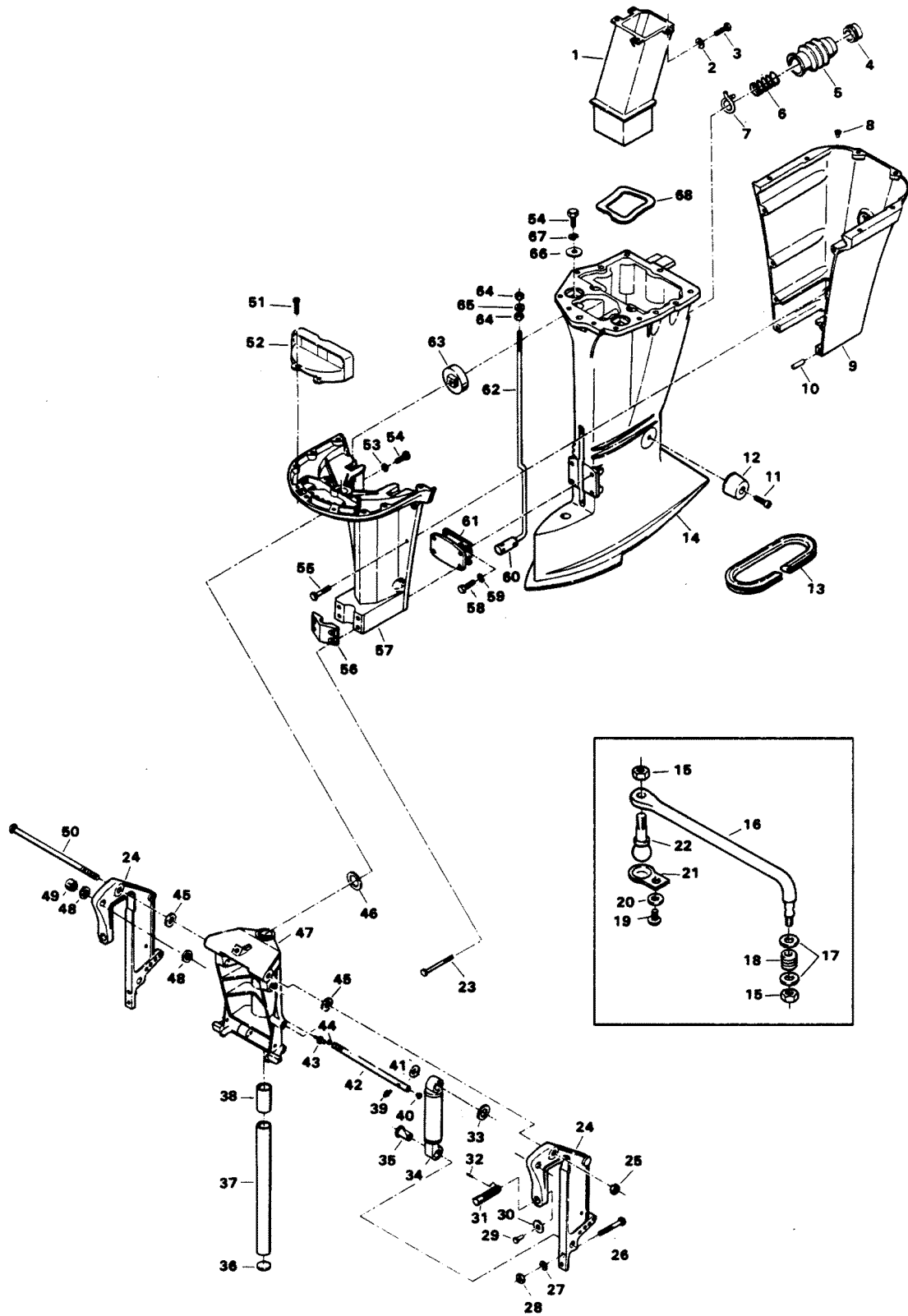


# MOTOR LEG

REF. NO.	PART NO.	SYM.	QTY.	DESCRIPTION
1	F85660-1		1	EXHAUST TUBE
2	F8083		4	SPRING LOCKWASHER
3	F1705		4	HEX SLOT HD SCREW, 1/4 - 20 X 3/4
4	F85258		1	INSERT
5	F85130		1	BOOT IDLE EXHAUST
6	F85380		1	SPRING
7	F85772		1	CLAMP
8	F1729		2	PLUG
9	F178145-3		1	MOTOR LEG COVER REAR
10	F1664		2	SPRING PIN
11	F1263		2	HEX SOCKET HD CAP SCREWS, 5/16 - 18 X 9/16
12	F438962		2	SHOCK MOUNT LOWER REAR
13	F178323		1	SEAL, MOTOR LEG
14	F523133-2		1	MOTOR LEG
15	F2093		2	STOP NUT, 3/8 - 24
16	F523881-2		1	STEERING LINK
17	F8038		2	PLAIN WASHER
18	F523300-1		1	SPRING
19	F1280		1	PAN HD SCREW, 8 - 32 X 1/4
20	F8080		1	SPRING LOCKWASHER
21	F523930		1	RETAINER
22	F523273		1	STEERING BALL STUD
23	F1696		4	HEX BOLT, 5/16 - 18 X 1-3/4
24	1400-817958A6		2	STERN BRACKET
25	F7012		1	STOP NUT
26	F1593		2	HEX HD SCREW, 3/8 - 16 X 3
27	F1904		2	PLAIN WASHER
28	F1346		2	HEX NUT
29	F353480		2	STUD
30	F84074		2	CLAMP SCREW FOOT
31	F474073-1		2	CLAMP SCREW
32	F8538		2	SPRING PIN
33	F1710		2	PLAIN WASHER
34	FA178962		2	SHOCK ABSORBER W/BUSHING
35	F178362		2	BEARING
36	F1528		1	WELCH PLUG
37	FA85019		1	KINGPIN <b>WILLUS. 36</b>
38	F438169		2	BEARING
39	F523274		1	GREASE FITTING
40	F9052		1	PLUG
41	F1711		2	SPRING BOWED WASHER
42	F511125-2		1	TUBE, STEERING SUPPORT
43	F213274		3	GREASE FITTING

CONTINUED ON NEXT PAGE ➡

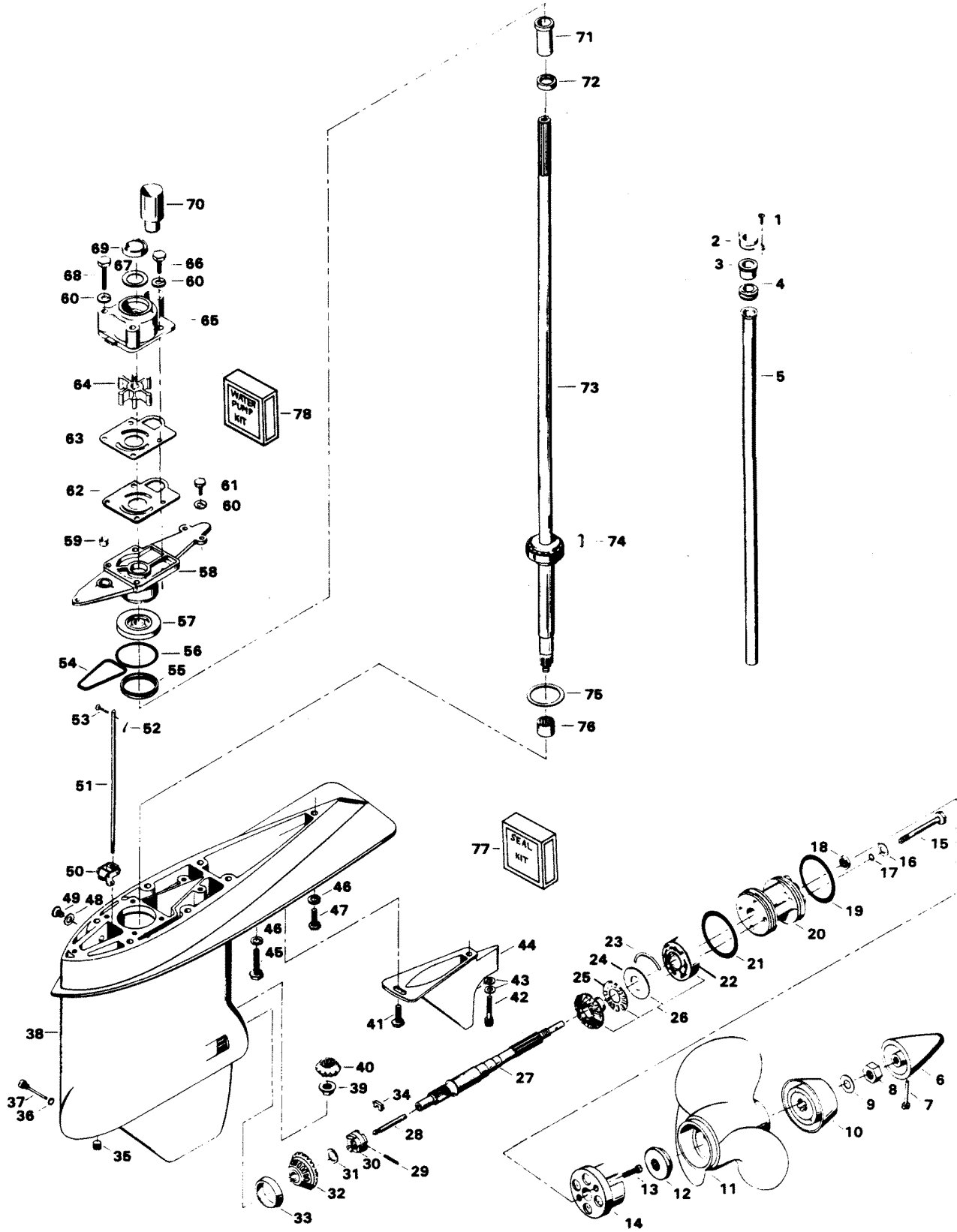
# MOTOR LEG



# MOTOR LEG

REF. NO.	PART NO.	SYM.	QTY.	DESCRIPTION
44	F316599		1	SEAL, STEERING SUPPORT TUBE
45	F84286-1		4	FRICITION WASHER
46	F84011		1	WASHER
47	817783A5		1	SWIVEL BRACKET <b>W/ILLUS. 38 AND 43 ORIGINAL FORCE P/N A 369072-2</b>
48	F523280		2	NUT, STEERING SUPPORT TUBE
49	F9018		1	CAP
50	F85037-1		1	STERN BRACKET PIVOT BOLT
51	F1912		4	HEX HD SCREW, 10 - 24 X 1/2
52	F85779-1		1	BAFFLE, AIR INTAKE
53	F1703		2	SPRING LOCKWASHER
54	F1871		4	HEX HD SCREW, 3/8 - 16 X 3/4
55	F2030		6	HEX HD SCREW, 1/4 - 20 X 1-1/4
56	F85606		1	KINGPIN CAP
57	FA85135-4		1	LEG COVER FRONT <b>W/ILLUS. 55</b>
58	F1822		4	HEX BOLT, 5/16 - 18 X 7/8
59	F8096		4	SPRING LOCKWASHER
60	F85704		1	COUPLER, GEAR SHIFT ROD
61	F438346		1	SHOCK MOUNT LOWER
62	F85615		1	GEAR SHIFT ROD UPPER
63	F85965		2	SHOCK MOUNT UPPER
64	F2108		2	LOCK NUT
65	F1987		1	PLAIN WASHER
66	FA85355-1		2	WASHER ( <b>SET OF 2 SHOCK MOUNT WASHERS W/ILLUS. 67</b> )
67	F2014		2	PLAIN WASHER
68	F439736		1	SEAL, EXHAUST TUBE

# GEAR HOUSING



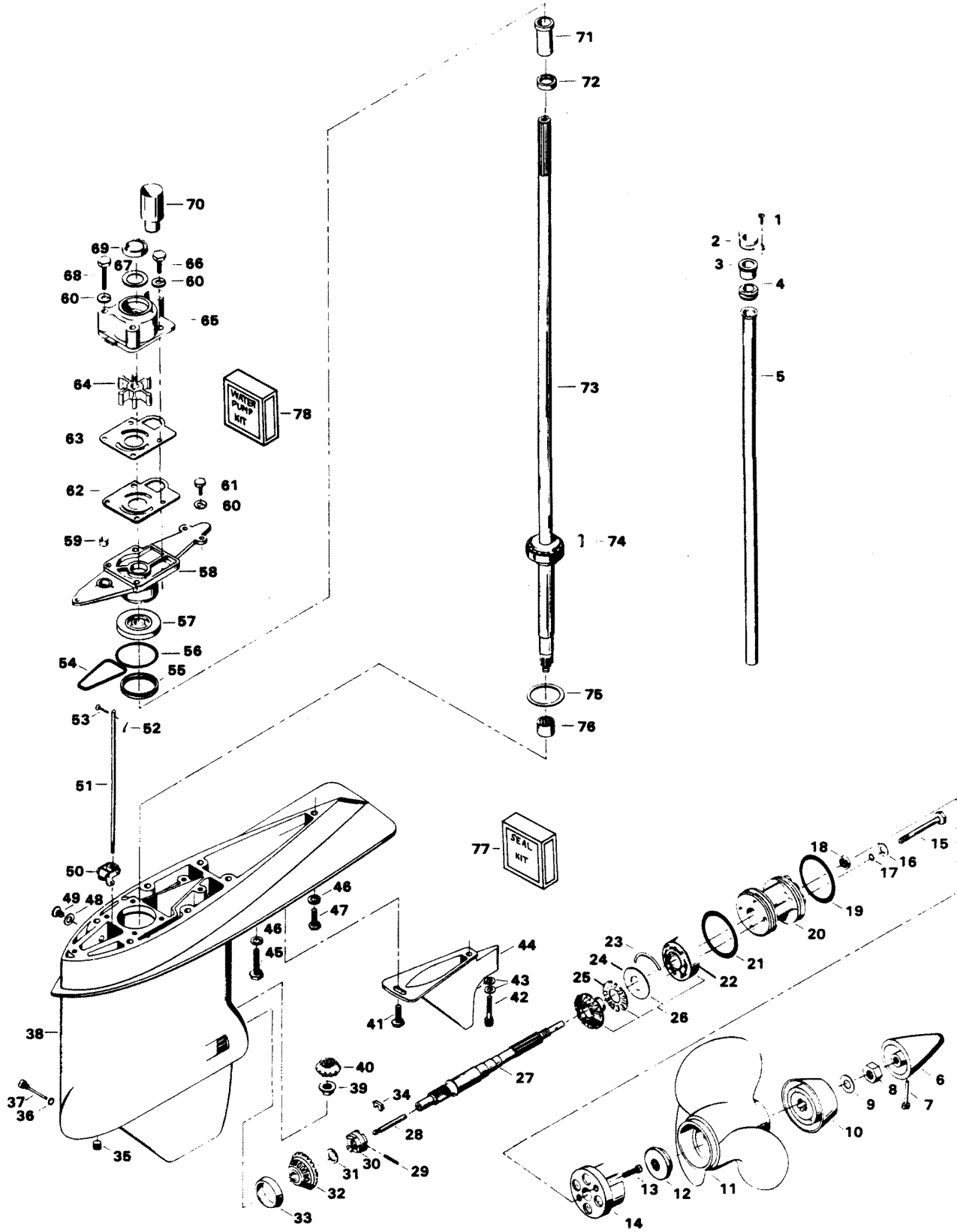


# GEAR HOUSING

REF. NO.	PART NO.	SYM.	QTY.	DESCRIPTION
1	F1705		2	HEX CAP SCREW, 1/4 - 20 X 3/4
2	F85117		1	BRACKET, WATER LINE
3	F84342		1	SEAL, INLET WATER LINE, UPPER
4	F523899		1	GROMMET, WATER LINE
5	F523244		1	INLET WATER LINE
6	F523094-2		1	PROPELLER NUT
7	F498891		1	PIN, PROPELLER NUT RETAINING
8	F1788		1	STOP NUT
9	F1866		1	PLAIN WASHER
10	F5H119		1	WASHER (ACCESSORY ITEM)
11	FPS524		1	PROPELLER (ACCESSORY ITEM)
12	F523099-1		1	SPACER, PROPELLER
13	F1577		2	FILL HD SCREW, 1/4 - 20 X 3/4
14	FA523485		1	ANTICORROSION ANODE <b>W/LITERATURE</b>
15	F1885		4	HEX CAP SCREW, 5/16 - 18 X 4-1/4
16	F1907		4	PLAIN WASHER
17	F50342-1		4	SEAL, O-RING
18	F506118		1	SEAL, PROPELLER SHAFT
19	F24278		1	SEAL, O-RING PROPELLER SHAFT SPOOL
20	F2A523239		1	SPOOL, PROPELLER SHAFT BEARING <b>W/ILLUS. 9</b>
21	F84305		1	SEAL, O-RING PROPELLER SHAFT SPOOL
22	FA523136		1	CAGE, REAR
23	F523411		2	RETAINING RING, BEARING CAGE
24	F2117		A/R	SPACER BEVEL GEAR REAR
-	<b>F2118</b>		<b>A/R</b>	<b>SPACER BEVEL GEAR REAR</b>
-	<b>F2119</b>		<b>A/R</b>	<b>SPACER BEVEL GEAR REAR</b>
-	<b>F2120</b>		<b>A/R</b>	<b>SPACER BEVEL GEAR REAR</b>
25	F523901		1	BEARING, BEVEL GEAR REAR
26	F2A523662		1	BEVEL GEAR REAR W/BEARING CAGE SPACER AND BEARING
27	FA523098		1	PROPELLER SHAFT
28	F84871-1		1	PIN, GEAR SHIFT W/YOKE
29	F1713		1	SPRING PIN
30	F84521-1		1	CLUTCH
31	F1936		A/R	SPACER, BEVEL GEAR FRONT .059
-	<b>F1937</b>		<b>A/R</b>	<b>SPACER, BEVEL GEAR FRONT .062</b>
-	<b>F1938</b>		<b>A/R</b>	<b>SPACER, BEVEL GEAR FRONT .065</b>
-	<b>F1939</b>		<b>A/R</b>	<b>SPACER, BEVEL GEAR FRONT .068</b>
-	<b>F1940</b>		<b>A/R</b>	<b>SPACER, BEVEL GEAR FRONT .071</b>
-	<b>F1941</b>		<b>A/R</b>	<b>SPACER, BEVEL GEAR FRONT .074</b>
-	<b>F1942</b>		<b>A/R</b>	<b>SPACER, BEVEL GEAR FRONT .077</b>
-	<b>F2113</b>		<b>A/R</b>	<b>SPACER, BEVEL GEAR FRONT .080</b>
-	<b>F2114</b>		<b>A/R</b>	<b>SPACER, BEVEL GEAR FRONT .083</b>

CONTINUED ON NEXT PAGE ➡

# GEAR HOUSING

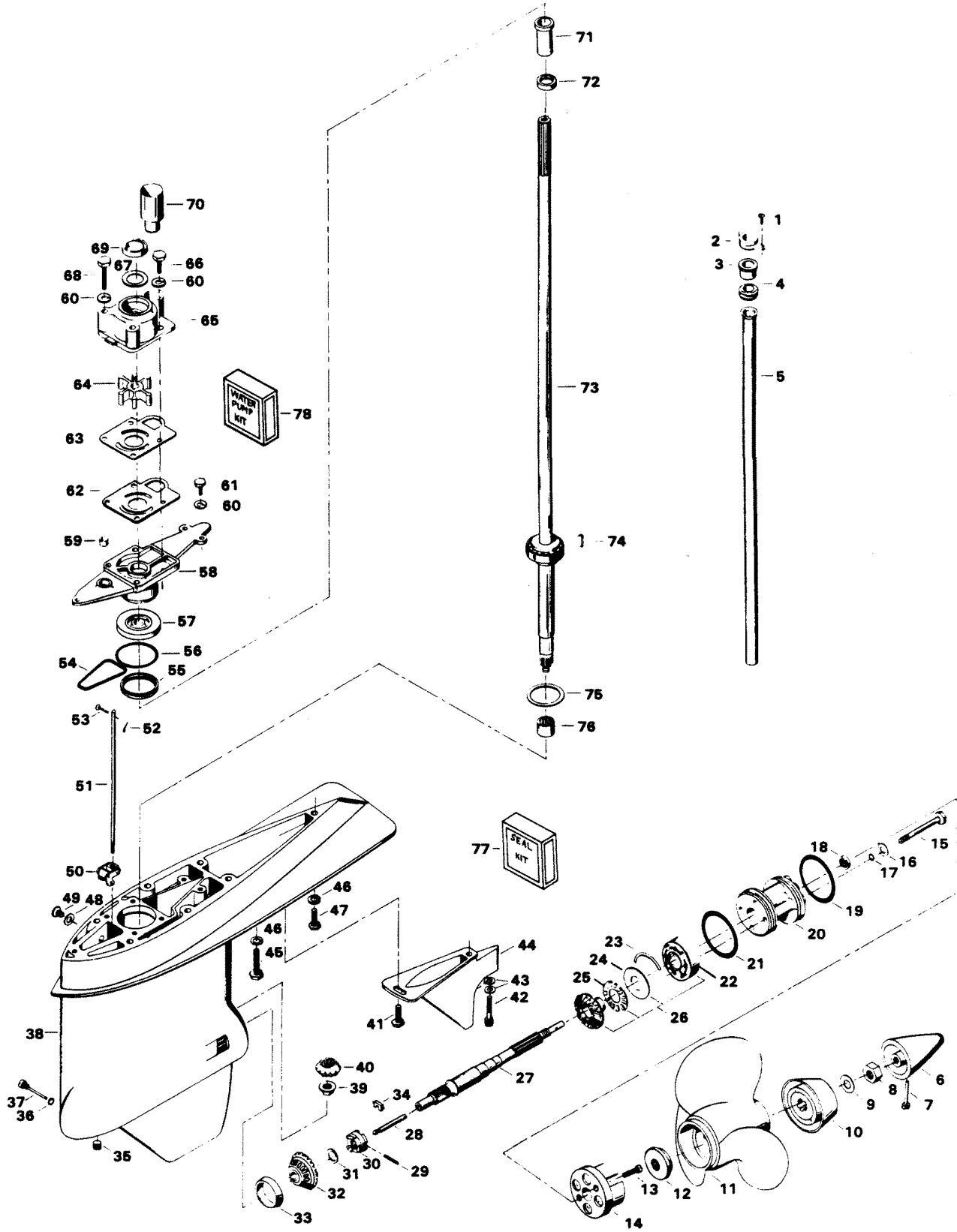


# GEAR HOUSING

REF. NO.	PART NO.	SYM.	QTY.	DESCRIPTION
-	F2115		A/R	SPACER, BEVEL GEAR FRONT .086
-	F2116		A/R	SPACER, BEVEL GEAR FRONT .089
-	F2121		A/R	SPACER, BEVEL GEAR FRONT .057
-	F2122		A/R	SPACER, BEVEL GEAR FRONT .054
32	F2A523023		1	BEVEL GEAR FRONT W/BEARING AND SHIMS
33	F523813		1	BEARING CUP
34	F90619-1		1	YOKE
35	F19109		1	PLUG
36	F498618		1	O-RING
37	F498891		1	PIN, GEAR SHIFT ARM
38	FA523054		1	GEAR HOUSING <b>WILLUS. 29, 30, 42, 43 AND 65</b>
-	<b>FC615054</b>		<b>1</b>	<b>GEAR HOUSING COMPLETE (INCLUDES ALL ITEMS MARKED WITH AN ASTERISK (*)).</b>
39	F523188		1	NUT, BEVEL PINION
40	43-817854A2		1	BEVEL PINION GEAR <b>WILLUS. 49 AND 66 ORIGINAL FORCE P/N A 523266-1</b>
41	F438930		1	RETAINER, SNOUT
42	F1994		1	HEX SOCKET HD CAP SCREW, 5/16 - 18 X 1
43	F1856		2	PLAIN WASHER
44	F523116		1	EXHAUST SNOUT
45	F1491		6	HEX HD SCREW, 5/16 - 18 X 3/4
46	F8096		7	SPRING LOCKWASHER
47	F1858		1	HEX CAP SCREW, 5/16 - 18 X 1
48	F8077		2	WASHER, GEAR HOUSING PLUG
49	F50109		2	PLUG, GEAR HOUSING
50	FA84621-1		1	COUPLING, GEAR SHIFT ARM W/BUSHING
51	F523705		1	GEAR SHIFT ROD LOWER
52	F1015		1	COTTER PIN
53	F85372		1	PIN, GEAR SHIFT ROD LOWER
54	F523555		1	SEAL, O-RING, GEAR HOUSING COVER
55	F523961		1	CRUSH RING
56	F74305		1	SEAL, DRIVESHAFT BEARING CAGE
57	F506118		1	SEAL, DRIVESHAFT
58	F2A550706		1	GEAR HOUSING COVER <b>WILLUS. 51 AND 53</b>
59	F338618-1		1	SEAL, GEAR SHIFT ROD
60	F8083		7	SPRING LOCKWASHER
61	F2008		3	HEX CAP SCREW, 1/4 - 20 X 7/8
62	F523031		1	GASKET, WATER PUMP
63	F523562		1	PLATE, WATER PUMP
64	F523065-1		1	IMPELLER, WATER PUMP
65	46-817853A1		1	WATER PUMP BODY <b>WILLUS. 61, 63 AND 64 ORIGINAL FORCE P/N A 523060-1</b>
66	F1990		2	HEX CAP SCREW, 1/4 - 20 X 1-5/8
67	F480388		1	DISC, WATER PUMP LOCATING

CONTINUED ON NEXT PAGE ➡

# GEAR HOUSING



# GEAR HOUSING

REF. NO.	PART NO.	SYM.	QTY.	DESCRIPTION
68	F1425		2	HEX CAP SCREW, 1/4 - 20 X 2-5/8
69	F351307		1	SEAL, DRIVESHAFT - WATER PUMP
70	FA523735		1	SEAL, INLET WATER LINE, LOWER <b>W/LITERATURE</b>
71	F438129		1	SEAL, DRIVESHAFT SPLINE
72	F438271		1	RETAINER, CRANKSHAFT SPLINE SEAL
73	FK615128		1	DRIVESHAFT <b>W/BEARING, ILLUS. 49 AND 66</b>
74	F523498		1	DRIVE KEY, WATER PUMP
75	F9106		A/R	SHIM, DRIVESHAFT BEARING, UPPER .003 BRASS
-	<b>F9095</b>		<b>A/R</b>	<b>SHIM, DRIVESHAFT BEARING UPPER .005 SILVER</b>
-	<b>F9097</b>		<b>A/R</b>	<b>SHIM, DRIVESHAFT BEARING, UPPER .010 BLACK</b>
76	F523057		1	BEARING, DRIVESHAFT LOWER
77	FK1063-1		1	SEAL KIT <b>(INCLUDES ITEMS BELOW)</b>
-	<b>F50342-1</b>		<b>4</b>	<b>SEAL, BEARING CAGE BOLT</b>
-	<b>F506118</b>		<b>1</b>	<b>SEAL, PROPELLER SHAFT</b>
-	<b>F24278</b>		<b>1</b>	<b>SEAL, PROPELLER SHAFT SPOOL</b>
-	<b>F84305</b>		<b>1</b>	<b>SEAL, PROPELLER SHAFT SPOOL</b>
-	<b>F498618</b>		<b>1</b>	<b>SEAL, GEARSHIFT ARM PIN</b>
-	<b>F8077</b>		<b>2</b>	<b>WASHER</b>
-	<b>F523555</b>		<b>1</b>	<b>SEAL, GEAR HOUSING COVER</b>
-	<b>F74305</b>		<b>1</b>	<b>SEAL, GEAR HOUSING COVER</b>
-	<b>F84307-1</b>		<b>1</b>	<b>SEAL, DRIVESHAFT</b>
-	<b>F338618-1</b>		<b>1</b>	<b>SEAL, GEAR SHIFT ROD</b>
78	FK1069		1	WATER PUMP KIT
-	<b>F1425</b>		<b>2</b>	<b>HEX CAP SC, 1/4 - 20 X 5/8</b>
-	<b>F1990</b>		<b>2</b>	<b>HEX CAP SCREW</b>
-	<b>F8083</b>		<b>4</b>	<b>SPRING LOCKWASHER</b>
-	<b>F523031</b>		<b>1</b>	<b>GASKET, WATER PUMP</b>
-	<b>F523065-1</b>		<b>1</b>	<b>IMPELLER</b>
-	<b>F523498</b>		<b>1</b>	<b>KEY</b>
-	<b>F523562</b>		<b>1</b>	<b>PLATE, WATER PUMP</b>
-	<b>46-817853A1</b>		<b>1</b>	<b>WATER PUMP</b>

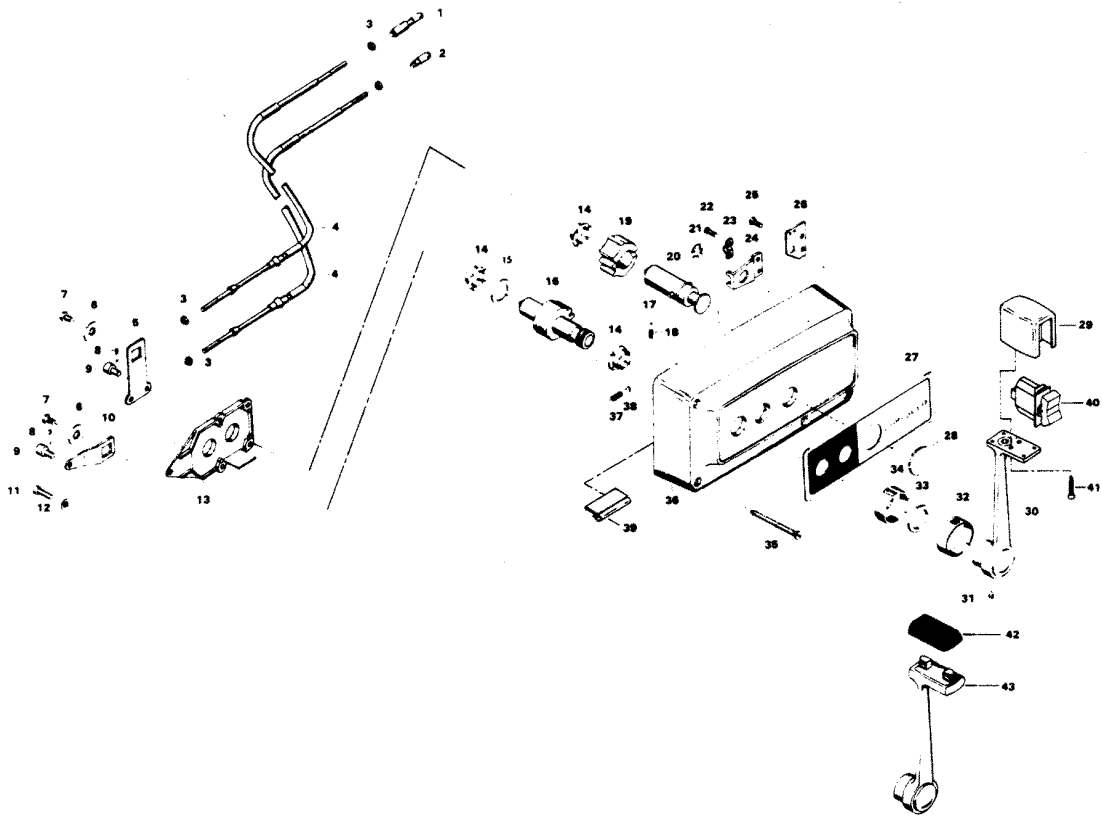
# FUEL TANK AND LINE

\* \* \* \* MISSING ILLUSTRATION \* \* \* \*

## FUEL TANK AND LINE

REF. NO.	PART NO.	SYM.	QTY.	DESCRIPTION
1	F409251-1		1	GAUGE CAP
2	F5H026		1	FUEL TANK (ACCESSORY ITEM)
3	F485755-1		1	FUEL TANK ADAPTER
4	F213342		1	SEAL, FUEL LINE COUPLER (LARGE)
5	F213735		1	SEAL, FUEL LINE COUPLER (SMALL)
6	F197787-3		1	FUEL LINE COUPLER
7	F298788		3	FERRULE
8	FA84754-1		1	FUEL LINE SHORT W/FERRULES
9	89396A38		1	PRIME BULB
10	32-817738A1		1	FUEL LINE LONG W/ILLUS. 7 AND 11 ORIGINAL FORCE P/N A 197752-1
11	F97772		1	FUEL LINE CLAMP
12	F17932		1	SEAL, FUEL TANK ADAPTER
-	<b>FS409752</b>		1	<b>FUEL LINE COMPLETE. INCLUDES ALL ITEMS MARKED WITH AN ASTERISK (*)</b>
-	<b>FC409398</b>		1	<b>DECAL, TOTE TANK - CANADA (NOT SHOWN)</b>

# REMOTE CONTROL



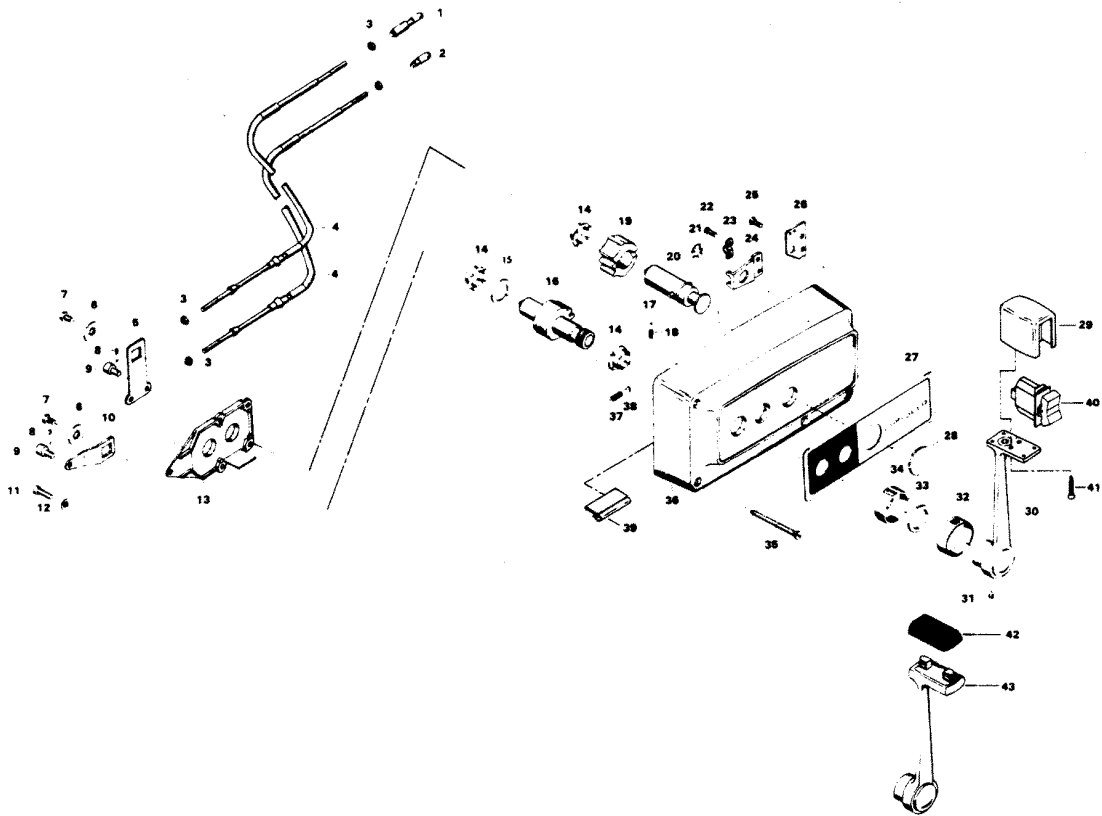


# REMOTE CONTROL

REF. NO.	PART NO.	SYM.	QTY.	DESCRIPTION
1	FA58976-1		1	CONNECTOR, THROTTLE CABLE
2	F58685-2		1	CONNECTOR, SHIFT CABLE
3	F1513		4	HEX NUT
4	F195/___		1	REMOTE CONTROL CABLE (SPECIFY LENGTH) ACCESSORY ITEM <b>(2 PER SET)</b>
5	F17019		1	CLUTCH ARM
6	F17036		2	INTERNAL TOOTH LOCKWASHER
7	F1715		2	HEX BOLT, 1/4 - 28 X 9/16
8	F17149		2	COTTER PIN
9	F17016		2	CABLE TERMINAL
10	F17014		1	THROTTLE ARM
11	F17013		2	FILL HD SCREW, 1/4 - 20 X 1/2
12	F17147		2	INTERNAL TOOTH LOCKWASHER
13	F17012		1	RETAINING PLATE
14	F17009		3	BEARING
15	F17011		1	BOWED WASHER
16	F17010-1		1	THROTTLE GEAR
17	F17111		1	DETENT BALL
18	F17006		1	DETENT SPRING
19	F17021		1	CLUTCH GEAR
20	F17100		1	CLUTCH SHAFT
21	F17092		1	SNAP RING
22	F17071		2	FILL HD SCREW, 10 - 24 X 5/16
23	F154317		1	CABLE CLAMP
24	F17026		1	SWIVEL
25	F1557		2	FLAT HD SCREW, 10 - 24 X 3/8
26	F17112		1	JUNCTION BOARD, STARBOARD
-	<b>F17113</b>		<b>1</b>	<b>JUNCTION BOARD, PORT</b>
27	F17148		1	DECAL, STARBOARD
-	<b>F531892</b>		<b>1</b>	<b>DECAL, PORT</b>
28	F17031-1		1	SNAP CAP
29	F448543		1	KNOB
30	F448611-1		1	LEVER
31	F17030-1		1	SET SCREW
32	F449894		1	INDICATOR - STARBOARD
-	<b>F448894</b>		<b>1</b>	<b>INDICATOR - PORT</b>
33	F17105		1	FELT WASHER
34	F17106		1	COLLAR
35	F17146		3	WOOD SCREW
36	F17099		1	HOUSING
37	F17068		1	DETENT SPRING
38	F17082-1		1	DETENT BALL
39	F455449		1	SWITCH, TRIM

CONTINUED ON NEXT PAGE ➡

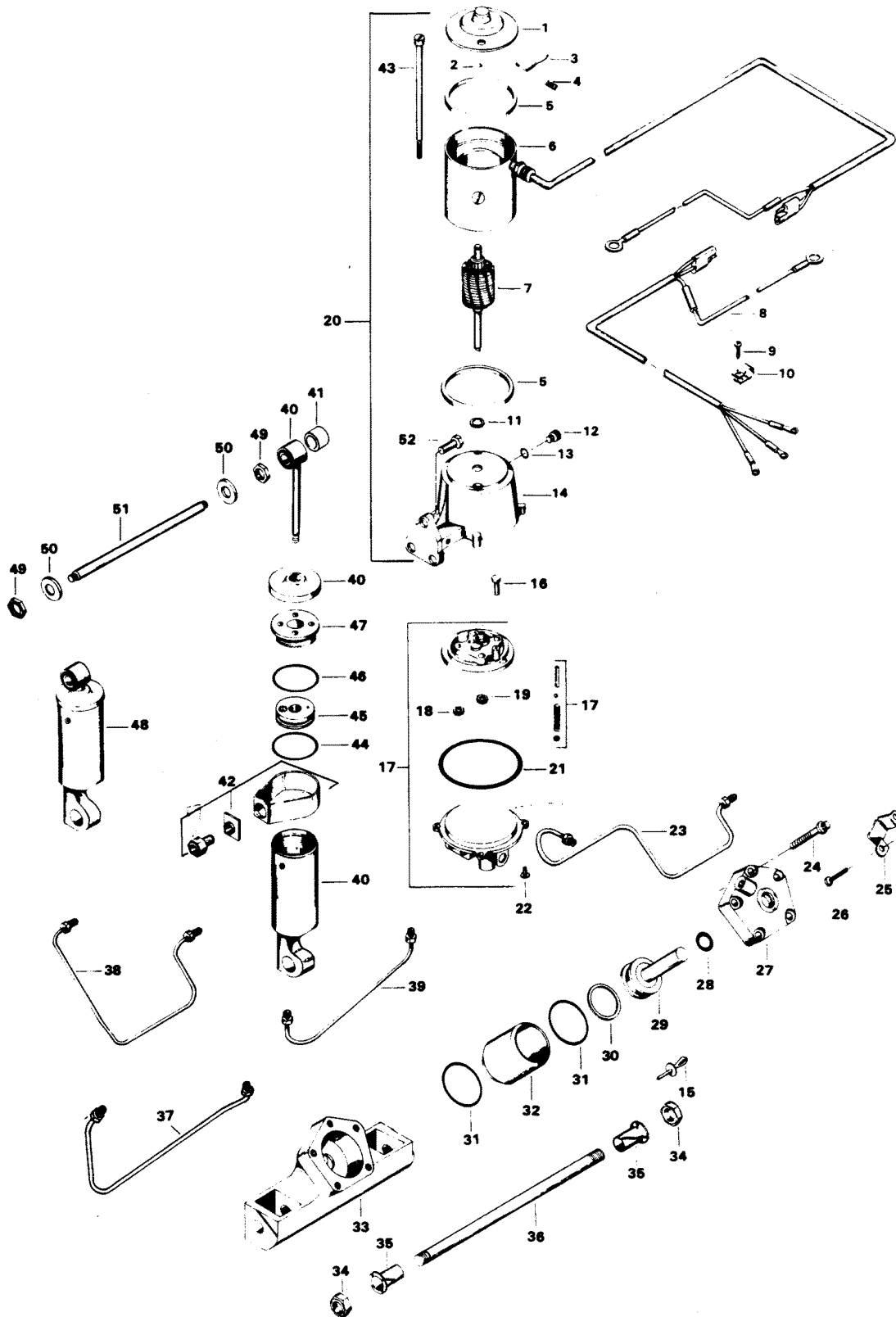
# REMOTE CONTROL



# REMOTE CONTROL

REF. NO.	PART NO.	SYM.	QTY.	DESCRIPTION
40	F1461		2	SCREW #6 X 7/8
41	F448446		1	CLAMP, TRIM SWITCH CABLE
-	<b>F1280</b>		<b>2</b>	<b>PAN HD SCREW, 8 - 32 X 1/4 (TERMINAL BOARD) (NOT SHOWN)</b>
-	<b>OB3062</b>		<b>1</b>	<b>LITERATURE (NOT SHOWN) INSTALLATION INSTRUCTIONS FOR REMOTE CONTROL</b>
-	<b>F17103</b>		<b>1</b>	<b>BAG ASSEMBLY (NOT SHOWN) INCLUDES ITEMS MARKED WITH AN ASTERISK (*)</b>
42	F1280		3	PAN HD SCREW, 8 - 32 X 1/4
43	FK17114-1		1	INDICATOR
44	F17115-1		1	HANDLE
45	F17116		1	KNOB

# POWER TRIM UNIT

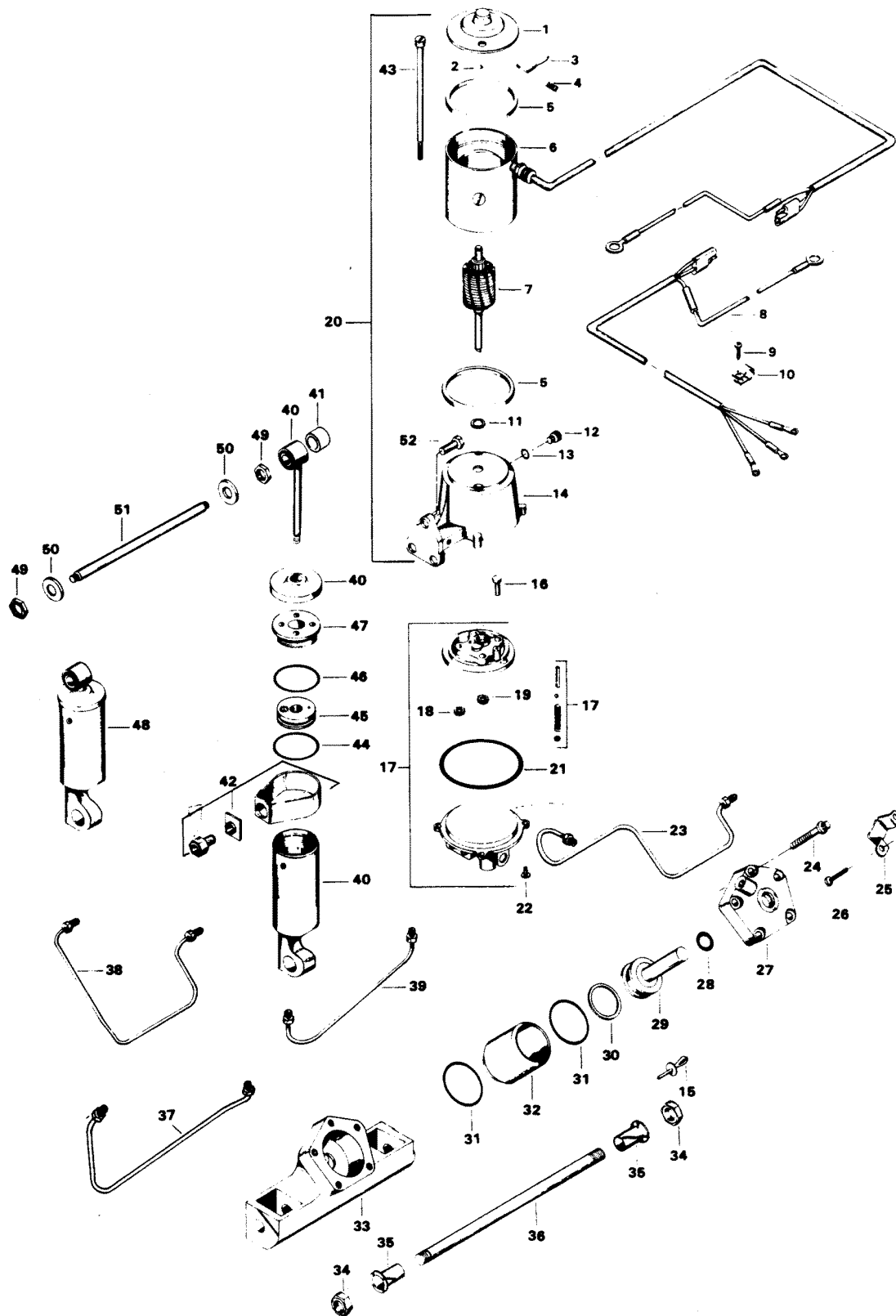


# POWER TRIM UNIT

REF. NO.	PART NO.	SYM.	QTY.	DESCRIPTION
1	F17543		1	HEAD ASSEMBLY, COMMUTATOR END
2	F17539		1	BALL
3	F17504		1	BRUSH SET
4	F17500		1	SPRING SET
5	F17557		2	GASKET
6	F17556		1	FIELD AND FRAME ASSEMBLY
7	F17555		1	ARMATURE
8	F500843		1	CABLE
9	F1741		2	THREAD FORMING SCREW, 8 X 3/4
10	F178446		2	CLAMP
11	F17508		A/R	THRUST WASHER
12	F17518		1	FILLER CAP
13	F17510		1	O-RING
14	F17505		1	RESERVOIR AND BRACKET W/SEAL
15	F1966		1	PLUG, SWIVEL BRACKET
16	F1203		1	HEX CAP SCREW, 1/4 - 20 X 7/8
17	F17564		1	VALVE BODY AND PUMP <b>W/ILLUS. 16, 18, 19 AND 21</b>
18	F17566		1	IDLE GEAR
19	F17565		1	DRIVE GEAR
20	F17563		1	MOTOR AND RESERVOIR
21	F17522		1	O-RING
22	F1310		4	ROUND HD SCREW, 10 - 24 X 5/8
23	F449254		1	HYDRAULIC LINE, TRIM CYLINDER, UPPER
24	F1959		5	SCREW, 1/4 - 20 X 1-3/4, STAINLESS STEEL
25	F449354		1	THRUST BRACKET
26	F1734		2	SCREW AND LOCKWASHER, 1/4 - 20 X 1/2
27	FA449149		1	COVER W/SEALS AND RETAINER
28	F449342		1	SEAL, PISTON SHAFT
29	FA449015		1	PISTON
30	F449278		1	PISTON SEAL
31	F40278		2	SEAL, CYLINDER
32	F449010		1	CYLINDER
33	F449545-2		1	CYLINDER HOUSING
34	F1963		2	NUT, 5/8 - 18
35	F178362		2	BEARING
36	F449632		1	SHAFT
37	F449253-1		1	HYDRAULIC LINE, TRIM CYLINDER, LOWER
38	F449758		1	HYDRAULIC LINE, LIFT CYLINDER, UPPER
39	F449754-1		1	HYDRAULIC LINE, LIFT CYLINDER, LOWER
40	FA17559		1	LIFT CYLINDER COMPLETE <b>W/ILLUS. 41</b>
41	F178344		1	BUSHING, SHOCK ABSORBER - UPPER
42	F17577		1	ADAPTER FITTING PACKAGE
43	F17558		1	THRU-BOLT PACKAGE

CONTINUED ON NEXT PAGE ➡

# POWER TRIM UNIT



# POWER TRIM UNIT

REF. NO.	PART NO.	SYM.	QTY.	DESCRIPTION
-	F1877		2	TY-RAP (NOT SHOWN)
44	FA17561-1		1	O-RING W/LITERATURE
45	F17562-1		1	PISTON ASSEMBLY
46	F17528		1	O-RING
47	F17560		1	HEAD ASSEMBLY
48	FA178962		1	SHOCK ABSORBER W/BUSHING
49	F1931		2	NUT, 1/2 - 20, STAINLESS STEEL
50	F1960		2	PLAIN WASHER
51	F449889		1	SHAFT, UPPER
52	F1822		3	SCREW, 5/16 - 18 X 7/8, STAINLESS STEEL

## SPECIAL TOOLS - TUNE-UP

REF. NO.	PART NO.	SYM.	QTY.	DESCRIPTION
-	FT8948-1		0	PULLER TO REMOVE FLYWHEEL.
-	FTA2937-1		0	TIMING TOOL TO ADJUST TIMING POINTER.
-	FT8978		0	POWER TIMING LIGHT FOR ADJUSTMENT OF ENGINE TIMING.
-	FT2951		0	CIRCUIT TRACER TO TROUBLESHOOT ELECTRICAL SYSTEM.
-	FT2938-1		0	BATTERY POWERED TEST LIGHT TO CHECK FOR CONTINUITY.



## SPECIAL TOOLS - POWER HEAD

REF. NO.	PART NO.	SYM.	QTY.	DESCRIPTION
-	FT8914		0	SEAL REMOVER TO REMOVE UPPER CRANKSHAFT BEARING CAGE SEAL.
-	FT8927		0	SEAL PROTECTOR TO INSTALL UPPER CRANKSHAFT BEARING CAGE.
-	FT8907		0	DRIVE HANDLE USED WITH T 8903.
-	FT8925		0	SEAL INSTALLER TO INSTALL LOWER CRANKSHAFT SEAL.
-	FT2953		0	SOCKET TO TORQUE CONNECTING ROD SCREWS.
-	FT2990		0	PISTON PIN TOOL TO REMOVE AND INSTALL PISTON PINS.
-	FTA8994		0	PISTON PIN TOOL USE WITH T 2990.
-	FT2996		0	RING COMPRESSOR TO INSTALL PISTON IN CYLINDER.
-	FT8926		0	RING EXPANDER TO INSTALL PISTON RINGS.
-	FT8903		0	SEAL INSTALLER TO INSTALL UPPER CRANKSHAFT BEARING CAGE SEAL.
-	FT1082		0	SNAP RING PLIER TO REMOVE AND INSTALL DISTRIBUTOR RETAINING RING.
-	FT8933		0	LIFTING HOOK TO LIFT ENGINE.
-	FT2998		0	TORQUE WRENCH TO PROPERLY TIGHTEN FASTENERS.
-	FT2999		0	TORQUE WRENCH TO PROPERLY TIGHTEN FASTENERS.
-	FT2991		0	CARBON BRUSH TO REMOVE CARBON FROM INSIDE ENGINE.
-	FT8900		0	HOSE CLAMP PLIERS TO REMOVE AND INSTALL FUEL HOSE CLAMPS.

## SPECIAL TOOLS - GEAR HOUSING

REF. NO.	PART NO.	SYM.	QTY.	DESCRIPTION
-	FT8948-1		0	PULLER TO REMOVE SPOOL FROM GEAR HOUSING.
-	FT8985		0	SEAL INSTALLER TO INSTALL PROPELLER SHAFT SEAL IN PROPELLER SHAFT BEARING SPOOL.
-	FT8925		0	SEAL INSTALLER TO INSTALL DRIVESHAFT SEAL IN GEAR HOUSING COVER.
-	FT8907		0	DRIVER HANDLE TO INSTALL BEARING CUPS AND SEALS.
-	FT8901		0	INDICATOR HOLDER USED IN CONJUNCTION WITH T 8997.
-	FT8902		0	DIAL INDICATOR USED IN CONJUNCTION WITH T 8997.
-	FT8919		0	SPRING PIN PUNCH TO REMOVE CLUTCH SPRING PIN.
-	FT8957		0	SEAL INSTALLER TO INSTALL SHIFT ROD SEAL.
-	FT8997		0	SHIMMING TOOL TO SHIM LOWER UNIT.
-	FT8918		0	BEARING GUIDE SET TO REMOVE FORWARD BEARING CUP IN GEAR HOUSING.
-	FT11209		0	BEARING GUIDE SET USE WITH T 8918.
-	FT11207		0	BEARING CUP REMOVER TO REMOVE FORWARD BEARING CUP IN GEAR HOUSING.
-	FT11204		0	BEARING CUP INSTALLER TO INSTALL FORWARD BEARING CUP IN GEAR HOUSING.
-	FT3012		0	SEAL INSTALLER TO INSTALL WATER PUMP SEAL.
-	FT11205		0	BEARING INSTALLER/REMOVER TO INSTALL AND REMOVE LOWER DRIVESHAFT BEARING IN GEAR HOUSING.
-	FT7848		0	TORQUING ADAPTER HOLD DRIVESHAFT WHILE INSTALLING OR REMOVING PINION NUT.

## SPECIAL TOOLS - TEST EQUIPMENT

REF. NO.	PART NO.	SYM.	QTY.	DESCRIPTION
-	FT8950		0	LEAKAGE TESTER TO TEST LOWER UNIT SEALS FOR LEAKAGE.
-	FTK8999		0	TEST WHEEL TO TEST MOTOR IN TEST TANK. ORIGINAL FORCE P/N TA 8999
-	FT8953		0	IGNITION TESTER TO TEST OUTPUT OF C-D UNIT.

# SPECIAL TOOLS - LUBRICANTS AND SEALANTS

REF. NO.	PART NO.	SYM.	QTY.	DESCRIPTION
-	FT2961		0	LUBRICANT - RYKON GREASE #2EP
-	FT2987-1		0	LUBRICANT - ANTI-SEIZE
-	FT8969		0	LUBRICANT - 7 OZ. LPSI LUBRICANT
-	FT8955		0	SEALANT - 5 OZ. EC-750 INDUSTRIAL SEALANT
-	FT8983		0	SEALANT - 3 OZ. RTV SEALANT FROM IN PLACE GASKETS
-	FT8936-1		0	SEALANT - 2 CC LOCTITE RETAINING COMPOUND #75
-	FT2962-1		0	SEALANT - 50 CC LOCTITE H, NON-HARDENING GRADE
-	FT2963-2		0	SEALANT - 2 OZ. LOCTITE D, HARDENING GRADE
-	FT8935		0	SEALANT PRIMER - 6 OZ.

# ACCESSORIES

REF. NO.	PART NO.	SYM.	QTY.	DESCRIPTION
-	F5H014		0	FLUSHING ADAPTER PERMITS FRESH WATER FLUSHING OF WATER PASSAGES WITH STANDARD GARDEN HOSE.
-	F5H130		0	REMOTE CONTROL BOX (SINGLE LEVER) (SURFACE MOUNT) PERMITS REMOTE CONTROL OF THROTTLE AND GEAR SHIFT FROM STARBOARD SIDE OF BOAT.
-	F5H120		0	REMOTE CONTROL BACK PLATE PROTECTS CONTROL MECHANISM FROM PADDED BOAT SURFACES.
-	F590		0	REMOTE CONTROL HEAD (SINGLE LEVER) FLUSH MOUNT CONTROL UNIT PERMITS REMOTE CONTROL OF THROTTLE AND GEAR SHIFT. MAY BE MOUNTED ON PORT OR STARBOARD SIDE OF BOAT.
-	F5H079		0	REMOTE CONTROL BOX FOR MOUNTING ON CONSOLE OF BOAT.
-	F5H080		0	TWIN REMOTE CONTROL BOX FOR MOUNTING ON CONSOLE OF BOAT.
-	F195/___		0	REMOTE CONTROL CABLES CONNECTS REMOTE CONTROL BOX TO THROTTLE AND GEAR SHIFT ON ENGINE. AVAILABLE IN 6 THROUGH 40 FOOT LENGTHS.
-	F5H108		0	STEERING CONNECTOR CLEVIS TYPE FOR BOAT MOUNTED STEERING AND NON THREADED CABLE END.
-	F5H018		0	DUAL ENGINE TIE BAR PERMITS DUAL ENGINE INSTALLATIONS.
-	F5H094		0	STEERING LINK CONNECTS ENGINE TO REMOTE STEERING CABLE.
-	F5H026		0	STEEL, 6 GALLON FUEL TANK (LOW PROFILE) AUXILIARY TANK.
-	F5H029		0	TANK ANCHOR SECURES 5H026 TO BOAT.
-	F5H040		0	STEEL, 12 GALLON FUEL TANK AUXILIARY TANK.
-	F5H019		0	ANTI-CORROSION KIT ELECTRICAL KIT FOR MOUNTING ON BOAT (12V) TO REDUCE CORROSION.
-	F5H025		0	ANTI-CORROSION SACRIFICIAL ANODE KIT USED TO REDUCE CORROSION.
-	F5H043		0	OVERHEAT BUZZER SOUNDS WARNING BUZZER IF ENGINE OVERHEATS.
-	F5H161		0	POWER TRIM INDICATOR INDICATES ENGINE TRIM ANGLE. (FLUSH MOUNT).
-	F5H134		0	BOAT WHITE LACQUER ENGINE TOUCH-UP PAINT IN 12-3/4 OZ. SPRAY BOMBS (6 CANS PER CASE).
-	F5H081		0	BATTERY CABLE LONGER LENGTH - 15 FEET.
-	F5H157		0	VOLTMETER - FLUSH MOUNT INDICATES BATTERY CONDITION.
-	F5H159		0	HOURMETER - FLUSH MOUNT RECORDS ENGINE RUNNING TIME.
-	F5H119		0	PROPELLER SPACER - FLARED REDUCES PROPELLER VENTILATION ON SOME BOAT APPLICATIONS.
-	F5H069		0	RFI SUPPRESSION KIT PROVIDES RADIO NOISE SUPPRESSION.
-	5H048		0	CANVAS HOOD PROTECTION FOR ENGINE COVER.
-	5H051		0	BATTERY, 74 AMP. 12 VOLT HEAVY DUTY BATTERY.

CONTINUED ON NEXT PAGE ➡

# ACCESSORIES

REF. NO.	PART NO.	SYM.	QTY.	DESCRIPTION
-	F5H041		0	BATTERY TERMINAL KIT ADAPTS MODEL 5H051 BATTERY TERMINALS FOR CONNECTIONS TO CABLE ON ENGINE.
-	F5H021		0	EXTENSION CABLE FOR LENGTHENING BATTERY CABLE 6-1/2 FEET.
-	F5H037		0	CIGAR LIGHTER FOR USE AS CONVENIENCE OUTLET.
-	5H158		0	FUEL GAUGE FLUSH MOUNT MONITORS FUEL SUPPLY.
-	F5H077		0	IGNITION KEY SWITCH SHORT BARREL WITH KEYS.
-	F5H078		0	IGNITION KEY SWITCH LONG BARREL WITH KEYS.
-	F762		0	REMOTE ELECTRIC CABLE 25 FOOT CABLE FOR LARGE BOATS.
-	F5H115		0	TRAILERING TILT LOCK SECURES ENGINE IN HALF-TILT POSITION FOR TRAILERING.
-	F5H044		0	TILT STOP KIT SHORTER TILT STOP FOR SHORT TRANSOM WELL.
-	F5H146		0	POWER TILT TILTS ENGINES FOR BEACHING.
-	F5H132		0	REMOTE CONTROL HANDLE TRIM SWITCH FOR CONVENIENT OPERATION OF POWER TRIM.
-	F5H044		0	TILT STOP KIT SHORTER TILT STOP FOR SHORT TRANSOM WELL.
-	F5H070		0	REMOTE ELECTRIC CABLE 21 FOOT CABLE FOR LARGE BOATS.
-	F5H028		0	SENDING UNIT FOR USE WITH FUEL GAUGE.
-	F5H156		0	TEMPERATURE GAUGE - FLUSH MOUNT MONITORS ENGINE TEMPERATURE. DO NOT USE TEMPERATURE GAUGE AND HEAT LAMP IN SAME INSTALLATION.
-	F5H153		0	TACHOMETER FLUSH MOUNT MONITORS ENGINE R.P.M. TO PROVIDE CHECK OF ENGINE PERFORMANCE.
-	F5H150		0	POWER TRIM ADJUSTS ENGINE TRIM AND TILTS ENGINE.
-	F5H154		0	SPEEDOMETER FLUSH MOUNT MONITORS BOAT SPEED (10-50 M.P.H.)
-	F5H155		0	SPEEDOMETER - FLUSH MOUNT MONITORS BOAT SPEED (10-65 M.P.H.)
-	F5H076		0	SWITCH EXTENSION CABLE 5 FOOT LONG SWITCH WIRING HARNESS.
-	F5H003		0	SPEEDOMETER FLUSH MOUNT MONITORS BOAT SPEED (20 TO 100 KM/H).
-	F5H030		0	SWITCH KIT - RUNNING LIGHTS DASH MOUNTED TOGGLE SWITCH
-	F5H031		0	SWITCH KIT - SPOT LIGHT DASH MOUNTED TOGGLE SWITCH
-	F5H032		0	SWITCH KIT - WIPER DASH MOUNTED TOGGLE SWITCH
-	F5H034		0	SWITCH KIT - BILGE PUMP DASH MOUNTED TOGGLE SWITCH
-	F5H035		0	SWITCH KIT - HORN DASH MOUNTED TOGGLE SWITCH
-	F5H039		0	SWITCH KIT - INSTRUMENT LIGHTS DASH MOUNTED TOGGLE SWITCH
-	F5H036		0	SWITCH KIT - TACHOMETER TRANSFER FOR ONE TACHOMETER ON DUAL ENGINE INSTALLATION.

CONTINUED ON NEXT PAGE ➡

# ACCESSORIES

REF. NO.	PART NO.	SYM.	QTY.	DESCRIPTION
-	F5H038		0	SWITCH KIT - IGNITION SWITCH TO MOUNT IGNITION SWITCH IN DASH.
-	F563		0	TERMINAL BLOCK KIT DOUBLE ROW 10 SECTION, TO SIMPLIFY ACCESSORY INSTALLATION.
-	F5H075		0	WIRING HARNESS - IGNITION SWITCH - 24" USE WITH 563 TERMINAL BLOCK.
-	F596		0	CHRYSLER OUTBOARD OIL SEE BLOCK COMMENT 1.
-	F597		0	CHRYSLER OUTBOARD GEAR LUBE SEE BLOCK COMMENT 2.
-	F5H059		0	CHRYSLER OUTBOARD MULTI-PURPOSE GREASE LUBRICATES BEARINGS AND OTHER MOVING PARTS. AVAILABLE IN 8 OZ. TUBES AND 12 TUBE CASES.
-	F5H060		0	CHRYSLER OUTBOARD GREASE GUN

# PARTS INDEX

Part Number	Description	Pg.	Ref. No.	Part Number	Description	Pg.	Ref. No.
3C612944	ENGINE COVER COMPLETE	3	-	F1461	SCREW #6 X 7/8	41	40
5H048	CANVAS HOOD	51	-	F1473	HEX NUT	3	30
5H051	BATTERY, 74 AMP.	51	-	F1475	FILL HD SCREW, 10 - 24 X 1/2	19	23
5H158	FUEL GAUGE FLUSH MOUNT	52	-	F1491	HEX HD SCREW, 5/16 - 18 X 3/4	33	45
817747--1	BALL JOINT W/STUD	15	23	F15034	SPRING SET	9	15
817747--1	BALL JOINT W/STUD	19	25	F15054	BRUSH AND TERMINAL SET	9	7
817783A5	SWIVEL BRACKET	29	47	F15057	BRUSH PLATE AND HOLDER ASSEMBLY	9	16
817788A3	SPACER PLATE	21	70	F15099	ARMATURE	9	5
817892--1	IGNITION SWITCH PLATE - CANADA (NOT SHOWN)	5	-	F15118	BENDIX DRIVE ASSEMBLY	9	1
817960A2	TOWERSHAFT W/SWIVEL, BEARINGS AND SCREWS	19	22	F15125	HEAD ASSEMBLY, COMMUTATOR END	9	14
89396A38	PRIME BULB	37	9	F15126	THRUST WASHER PACKAGE	9	4
C523227	SPARK PLUG (CHAMPION QL-76V) - CANADA.	23	-	F1513	HEX NUT	39	3
F10023	GASKET SET (NOT SHOWN)	11	-	F1513	HEX NUT, 10 - 32	5	26
F1009	HEX HD SCREW, 3/8 - 16 X 2-3/4	19	3	F1513	HEX NUT, 10 - 32	15	27
F1014	COTTER PIN	11	11	F1513	HEX NUT, 10 - 32	21	42
F1015	COTTER PIN	33	52	F1515	HEX NUT, 5/16 - 18	5	29
F1034	PAN HD SCREW, 1/4 - 20 X 1-3/8	11	33	F1515	HEX NUT, S.S., 5/16 - 18	5	25
F1038	SLOTTED PAN HD. SCREW 1/4 - 20 X 3/4	7	47	F15166	FRAME AND FIELD ASSEMBLY	9	6
F1052	FILL HD SCREW, 1/4 - 20 X 1	19	28	F15167	HEAD ASSEMBLY, DRIVE END	9	3
F1059	FILL HD SCREW, 6 - 32 X 1/4	11	15	F15168	THRU BOLT PACKAGE	9	10
F1064	FILL HD SCREW, 8 - 32 X 3/8	11	37	F1528	WELCH PLUG	27	36
F1099	FILL HD SCREW, 1/4 - 20 X 1-1/4	19	13	F1532	HEX HD SCREW, 1/4 - 20 X 1	15	20
F1099	FILL HD SCREW, 1/4 - 20 X 1-1/4	23	91	F1532	HEX HD SCREW, 1/4 - 20 X 1	19	33
F1107	SLOTTED FILL HD SCREW, 1/4 - 20 X 3/4	23	92	F1532	HEX HD SCREW, 1/4 - 20 X 1	23	106
F1108	FILL HD SCREW, 1/4 - 20 X 3/4	15	13	F154317	CABLE CLAMP	39	23
F1203	HEX CAP SCREW, 1/4 - 20 X 7/8	43	16	F1550	SLOTTED PAN HD. SCREW #2 - 24 X 1	7	60
F1236	SCREW, 1/4 - 20 X 1/2	15	22	F1556	FILL HD SCREW, W/LOCKWASHER, 10 - 24 X 3/8	19	29
F1253	HEX SOCKET HD CAP SCREW, 3/8 - 16 X 2	19	9	F1557	FLAT HD SCREW, 10 - 24 X 3/8	39	25
F1263	HEX SOCKET HD CAP SCREWS, 5/16 - 18 X 9/16	27	11	F1577	FILL HD SCREW, 1/4 - 20 X 3/4	31	13
F1280	PAN HD SCREW, 8 - 32 X 1/4	27	19	F1593	HEX HD SCREW, 3/8 - 16 X 3	27	26
F1280	PAN HD SCREW, 8 - 32 X 1/4	41	42	F1641	LOCK NUT, 1/4 - 28	9	2
F1280	PAN HD SCREW, 8 - 32 X 1/4 (TERMINAL BOARD) (NOT SHOWN)	41	-	F1645	RD HD SCREW, 6 - 32 X 1/4	5	5
F1280	SLOTTED PAN HD SCREW, 8 - 32 X 1/4	5	15	F1645	RD HD SCREW, 6 - 32 X 1/4	17	49
F1286	PAN HD SCREW, 4 - 40 X 3/16	19	37	F1647	HEX NUT, 8 - 32	5	8
F1310	ROUND HD SCREW, 10 - 24 X 5/8	43	22	F1647	HEX NUT, 8 - 32	23	86
F1341	HEX NUT, 1/4 - 20	19	27	F1648	PAN HD SCREW, 10 - 24 X 3/4	5	20
F1341	NUT, 1/4 - 20	7	53	F1664	SPRING PIN	27	10
F1346	HEX NUT	15	29	F1693	TIE BAR RETAINER NUT	11	36
F1346	HEX NUT	27	28	F1696	HEX BOLT, 5/16 - 18 X 1-3/4	27	23
F1425	HEX CAP SC, 1/4 - 20 X 5/8	35	-	F1699	HEX BOLT, 1/4 - 20 X 1-1/8	23	94
				F1699	HEX HD SCREW, 1/4 - 20 X 1-1/8	19	8
				F17006	DETENT SPRING	39	18
				F17009	BEARING	39	14
				F17010-1	THROTTLE GEAR	39	16
				F17011	BOWED WASHER	39	15
				F17012	RETAINING PLATE	39	13



# PARTS INDEX

Part Number	Description	Pg.	Ref. No.	Part Number	Description	Pg.	Ref. No.
F17013	FILL HD SCREW, 1/4 - 20 X 1/2	39	11	F17500	SPRING SET	43	4
F17014	THROTTLE ARM	39	10	F17504	BRUSH SET	43	3
F17016	CABLE TERMINAL	39	9	F17505	RESERVOIR AND BRACKET W/SEAL	43	14
F17019	CLUTCH ARM	39	5	F17508	THRUST WASHER	43	11
F17021	CLUTCH GEAR	39	19	F17510	O-RING	43	13
F17026	SWIVEL	39	24	F17518	FILLER CAP	43	12
F1703	LOCKWASHER	21	68	F17522	O-RING	43	21
F1703	SPRING LOCKWASHER	29	53	F17528	O-RING	45	46
F17030-1	SET SCREW	39	31	F17539	BALL	43	2
F17031-1	SNAP CAP	39	28	F17543	HEAD ASSEMBLY, COMMUTATOR END	43	1
F17036	INTERNAL TOOTH LOCKWASHER	39	6	F1755	ROUND HD SCREW W/LOCKWASHER 6 - 32 X 1/4	15	38
F1704	INTERNAL TOOTH LOCKWASHER	5	4	F17555	ARMATURE	43	7
F1705	HEX CAP SCREW, 1/4 - 20 X 3/4	5	27	F17556	FIELD AND FRAME ASSEMBLY	43	6
F1705	HEX CAP SCREW, 1/4 - 20 X 3/4	31	1	F17557	GASKET	43	5
F1705	HEX SLOT HD SCREW, 1/4 - 20 X 3/4	27	3	F17558	THRU-BOLT PACKAGE	43	43
F17068	DETENT SPRING	39	37	F17560	HEAD ASSEMBLY	45	47
F17071	FILL HD SCREW, 10 - 24 X 5/16	39	22	F17562-1	PISTON ASSEMBLY	45	45
F1708	HEX HD SCREW, 1/4 - 20 X 1-3/8	3	37	F17563	MOTOR AND RESERVOIR	43	20
F17082-1	DETENT BALL	39	38	F17564	VALVE BODY AND PUMP	43	17
F17092	SNAP RING	39	21	F17565	DRIVE GEAR	43	19
F17099	HOUSING	39	36	F17566	IDLE GEAR	43	18
F1710	PLAIN WASHER	27	33	F17577	ADAPTER FITTING PACKAGE	43	42
F17100	CLUTCH SHAFT	39	20	F1760	SLOTTED PAN HD SCREW, 10 - 24 X 3/8	7	40
F17103	BAG ASSEMBLY (NOT SHOWN)	41	-	F177330	FUEL PUMP VALVE	15	10
F17105	FELT WASHER	39	33	F178145-3	MOTOR LEG COVER REAR	27	9
F17106	COLLAR	39	34	F178168-1	CARBURETOR ADAPTER GASKET	23	-
F1711	SPRING BOWED WASHER	27	41	F178168-1	GASKET, CARBURETOR ADAPTER	15	35
F17111	DETENT BALL	39	17	F178323	SEAL, MOTOR LEG	27	13
F17112	JUNCTION BOARD, STARBOARD	39	26	F178344	BUSHING, SHOCK ABSORBER - UPPER	43	41
F17113	JUNCTION BOARD, PORT	39	-	F178362	BEARING	27	35
F17115-1	HANDLE	41	44	F178362	BEARING	43	35
F17116	KNOB	41	45	F178404-1	DEFLECTOR PLATE	15	36
F1713	SPRING PIN	31	29	F178446	CLAMP	43	10
F17146	WOOD SCREW	39	35	F178754-1	FUEL LINE	11	8
F17147	INTERNAL TOOTH LOCKWASHER	39	12	F1788	STOP NUT	31	8
F17148	DECAL, STARBOARD	39	27	F17932	SEAL, FUEL TANK ADAPTER	37	12
F17149	COTTER PIN	39	8	F18160-2	CYLINDER DRAIN REED	19	40
F1715	HEX BOLT, 1/4 - 28 X 9/16	39	7	F1822	HEX BOLT, 5/16 - 18 X 7/8	29	58
F1727	PLASTIC RIVET	19	24	F1822	SCREW, 5/16 - 18 X 7/8, STAINLESS STEEL	45	52
F1729	PLUG	27	8	F1831	FLAT HD SCREW, 1/4 - 20 X 5/8	15	42
F1730	PAN HD SCREW	3	34	F1832	NUT, LOCK 1/4 - 20	7	57
F1733	PAN HD MACHINE SCREW, 10 - 24 X 9/16	3	2	F1832	STOP NUT, 1/4 - 20	21	62
F1734	FILL HD. SCREW, 1/4 - 20 X 1/2	5	12	F184033-1	SWIVEL, TOP CARBURETOR	11	14
F1734	SCREW AND LOCKWASHER, 1/4 - 20 X 1/2	43	26	F184122-1	SEAL	23	-
F1741	PAN HD SCREW, 8 X 3/4	7	49	F184122-1	SEAL, PARTING LINE	21	45
				F184579	O-RING SEAL	11	13
				F1854	HEX CAP SCREW, 1/4 - 20 X 5/8	3	19

# PARTS INDEX

Part Number	Description	Pg.	Ref. No.	Part Number	Description	Pg.	Ref. No.
F1856	PLAIN WASHER	33	43	F1941	SPACER, BEVEL GEAR		
F1857	HEX CAP SCREW, 5/16 - 18 X 5/8	3	17	F1942	FRONT .074 SPACER, BEVEL GEAR	31	-
F1857	HEX CAP SCREW, 5/16 - 18 X 5/8	3	29	F195/___	FRONT .077 REMOTE CONTROL CABLE (SPECIFY LENGTH)	31	-
F1858	HEX CAP SCREW, 5/16 - 18 X 1	3	18		ACCESSORY ITEM	39	4
F1858	HEX CAP SCREW, 5/16 - 18 X 1	33	47	F195/___	REMOTE CONTROL CABLES	51	-
F1860	RD HD SCREW, 6 - 32 X 1/4	15	9	F1950	HEX CAP SCREW, 10 - 24 X 5/8	23	98
F1864	HEX CAP SCREW, 1/4 - 20 X 3/4	3	10	F1955	PLAIN WASHER	5	31
F1864	HEX CAP SCREW, 1/4 - 20 X 3/4	21	73	F1959	SCREW, 1/4 - 20 X 1-3/4, STAINLESS STEEL	43	24
F1864	HEX HD SCREW, 1/4 - 20 X 3/4	19	11	F1960	PLAIN WASHER	45	50
F1866	PLAIN WASHER	31	9	F1963	NUT, 5/8 - 18	43	34
F1869	HEX CAP SCREW, 3/8 - 16 X 1-1/4	21	67	F1966	PLUG, SWIVEL BRACKET	43	15
F1871	HEX HD SCREW, 3/8 - 16 X 3/4	29	54	F1968	FLYWHEEL NUT	25	20
F1872	HEX CAP SCREW, 3/8 - 16 X 1-3/4	19	12	F1975	LOCKWASHER	5	18
F1873	HEX CAP SCREW, 3/8 - 16 X 3	19	7	F197787-3	FUEL LINE COUPLER	37	6
F1874	HEX HD SCREW, 3/8 - 16 X 1/8	19	2	F1987	PLAIN WASHER	21	81
F1877	TY-RAP (NOT SHOWN)	7	64	F1987	PLAIN WASHER	29	65
F1877	TY-RAP (NOT SHOWN)	45	-	F1990	HEX CAP SCREW	35	-
F1885	HEX BOLTS. S.S., 5/16 - 18 X 4-1/4	21	55	F1990	HEX CAP SCREW, 1/4 - 20 X 1-5/8	33	66
F1885	HEX CAP SCREW, 5/16 - 18 X 4-1/4	31	15	F1994	HEX SOCKET HD CAP SCREW, 5/16 - 18 X 1	33	42
F1904	PLAIN WASHER	27	27	F1997	STOP NUT, 8 - 32	13	47
F1907	PLAIN WASHER	31	16	F2000	HEX CAP SCREW, 5/16 - 18 X 3/4	23	104
F1910	STOP NUT, 1/4 - 20	15	25	F2008	HEX CAP SCREW, 1/4 - 20 X 7/8	21	82
F19109	PLUG	21	78	F2008	HEX CAP SCREW, 1/4 - 20 X 7/8	33	61
F19109	PLUG	33	35	F2008	HEX HD SCREW, 1/4 - 20 X 7/8	17	43
F1912	HEX HD SCREW, 10 - 24 X 1/2	29	51	F2008	HEX HD SCREW, 1/4 - 20 X 7/8	19	5
F1922	HEX CAP SCREW, 1/4 - 20 X 5/8	3	14	F2008	HEX HD SCREW, 1/4 - 20 X 7/8	19	6
F1922	HEX CAP SCREW, 1/4 - 20 X 5/8	9	11	F2008	HEX HD. M. SC., 1/4 - 20 X 7/8	7	44
F1922	HEX CAP SCREW, 1/4 - 20 X 5/8	15	5	F2014	PLAIN WASHER	29	67
F1922	HEX CAP SCREW, 1/4 - 20 X 5/8	21	52	F2015	HEX NUT, 1/4 - 28	19	17
F1931	NUT, 1/2 - 20, STAINLESS STEEL	45	49	F2016	SLOTTED FILL HD SCREW, 6 - 32 X 7/8	5	1
F1934	FLAT HD SCREW, 6 X 1/2	5	21	F2030	HEX HD SCREW, 1/4 - 20 X 1-1/4	29	55
F1936	SPACER, BEVEL GEAR FRONT .059	31	31	F2033	GROOVE PIN	11	3
F1937	SPACER, BEVEL GEAR FRONT .062	31	-	F2042	PLAIN WASHER	19	19
F1938	SPACER, BEVEL GEAR FRONT .065	31	-	F2042	PLAIN WASHER	21	59
F1939	SPACER, BEVEL GEAR FRONT .068	31	-	F2047	WAVE SPRING LOCKWASHER	3	24
				F2049	HEX CAP SCREW, 5/16 - 18 X 2-5/8	21	80
				F2066	PAN HD TAPPING SCREW, 10 X 7/16 (TRIM TO COVER)	3	32

# PARTS INDEX

Part Number	Description	Pg.	Ref. No.	Part Number	Description	Pg.	Ref. No.
F2081	HEX SOC. HD. SCREW, 1/4 - 20 X 3/4	25	18	F316579	SEAL, CRANKCASE	25	11
F2088	FASTENER	3	35	F316599	SEAL, STEERING SUPPORT TUBE	29	44
F2089	SLOTTED PAN HD M. SCREW 10 - 24 X 5/16	21	60	F319908	WIRE, GROUND (C.D. - COIL BRACKET)	7	56
F2090	PLUG	21	71	F321756	PACKING COVER	3	25
F2093	STOP NUT, 3/8 - 24	27	15	F322273	STUD	5	28
F2106	LOCKWASHER	7	55	F333316	THROTTLE ROLLER SHAFT	13	45
F2108	LOCK NUT	29	64	F335215	SPACER, PISTON PIN (2 PER PISTON)	25	3
F2108	STOP NUT, 5/16 - 18	21	61	F335217-1	BEARING, PISTON PIN (26 PER SET)	25	5
F2113	SPACER, BEVEL GEAR FRONT .080	31	-	F335654-1	DEFLECTION STOP	3	15
F2114	SPACER, BEVEL GEAR FRONT .083	31	-	F338618-1	SEAL, GEAR SHIFT ROD	33	59
F2115	SPACER, BEVEL GEAR FRONT .086	33	-	F338618-1	SEAL, GEAR SHIFT ROD	35	-
F2116	SPACER, BEVEL GEAR FRONT .089	33	-	F345683	WIRE, GROUND	7	51
F2117	SPACER BEVEL GEAR REAR	31	24	F351307	SEAL, DRIVESHAFT - WATER PUMP	35	69
F2118	SPACER BEVEL GEAR REAR	31	-	F353480	STUD	27	29
F2119	SPACER BEVEL GEAR REAR	31	-	F369450	RECTIFIER	5	9
F2120	SPACER BEVEL GEAR REAR	31	-	F369610	BEARING	21	64
F2121	SPACER, BEVEL GEAR FRONT .057	33	-	F369887	SHOULDER SCREW	21	65
F2122	SPACER, BEVEL GEAR FRONT .054	33	-	F369977-1	INTERLOCK ARM	21	63
F213274	GREASE FITTING	27	43	F372151-1	EXHAUST PORT PLATE	23	97
F213342	SEAL, FUEL LINE COUPLER (LARGE)	37	4	F372152-2	EXHAUST PORT COVER	23	95
F213735	SEAL, FUEL LINE COUPLER (SMALL)	37	5	F372154-1	EXHAUST PLATE GASKET	23	-
F215962	MOUNT (SHOCK - C.D. UNIT)	5	32	F372154-1	GASKET, EXHAUST PORT PLATE	23	96
F24278	SEAL, O-RING PROPELLER SHAFT SPOOL	31	19	F372958	CHOKE BRACKET	15	19
F24278	SEAL, PROPELLER SHAFT SPOOL	35	-	F373778-1	RETAINER, ENGINE COVER	3	31
F269319	THROTTLE CAM BEARING	15	26	F381896-4	BATTERY CABLE	5	34
F284659-2	BEARING, CRANKSHAFT UPPER MAIN	25	21	F391926-1	PLUNGER	11	5
F289446-1	CLAMP, REMOTE ELEC. CABLE TO BRACKET	5	11	F3A523158	REED PLATE	15	41
F298788	FERRULE	37	7	F40223	GASKET, TRANSFER PORT COVER	21	50
F2A476757	CYLINDER DRAIN REED PLATE	21	41	F40223	TRANSFER PORT COVER GASKET	23	-
F2A523023	BEVEL GEAR FRONT W/BEARING AND SHIMS	33	32	F40278	SEAL, CYLINDER	43	31
F2A523239	SPOOL, PROPELLER SHAFT BEARING	31	20	F404268	BY-PASS VALVE SPRING	23	101
F2A523662	BEVEL GEAR REAR W/BEARING CAGE	31	26	F404314	ELBOW, FUEL PUMP COVER	15	2
F2A550706	GEAR HOUSING COVER	33	58	F404314	FITTING	21	54
F2A615144	CRANKSHAFT BEARING CAGE	25	17	F404801	ELBOW, CYLINDER DRAIN UPPER (NOT SHOWN)	19	-
F307317	CLIP, TERMINAL BLOCK GROUND	5	17	F404841	CABLE, HEAT INDICATOR	7	52
				F405457	PIVOT SCREW	19	31
				F406406	DEFLECTOR PLATE GASKET	23	-
				F406406	GASKET DEFLECTOR PLATE	15	37
				F406471-1	CYLINDER DRAIN COVER	19	35
				F406754-1	HOSE	21	53
				F40689-1	BEARING	21	69
				F407446	CLAMP	5	33
				F409251-1	GAUGE CAP	37	1
				F433209-1	THROTTLE CAM STUD	15	32
				F438066	BY-PASS VALVE COVER	23	99
				F438129	SEAL, DRIVESHAFT SPLINE	35	71
				F438165	SCREW, FUEL PUMP BOWL	15	18
				F438169	BEARING	27	38

# PARTS INDEX

Part Number	Description	Pg.	Ref. No.	Part Number	Description	Pg.	Ref. No.
F438346	SHOCK MOUNT LOWER	29	61	F481774	BRACKET, COVER LATCH	3	26
F438500	FUEL SEDIMENT BOWL	15	17	F481777	CAM, LATCH	3	22
F438617	FUEL SEDIMENT BOWL GASKET	15	15	F485755-1	FUEL TANK ADAPTER	37	3
F438653	FUEL SEDIMENT BOWL SCREEN	15	16	F489551	BRACKET NEUTRAL INTERLOCK SWITCH	17	44
F438747	FUEL PUMP DIAPHRAGM	15	8	F490061-1	CARBURETOR COMPLETE (TC-6B)	11	27
F438754	FUEL LINE	11	16	F490955	STARTER COMPLETE	9	-
F438760	FUEL PUMP GASKET	15	4	F498618	O-RING	33	36
F438801	FITTING	15	14	F498618	SEAL, GEARSHIFT ARM PIN	35	-
F438930	RETAINER, SNOUT	33	41	F498891	PIN, GEAR SHIFT ARM	33	37
F438962	SHOCK MOUNT LOWER REAR	27	12	F498891	PIN, PROPELLER NUT RETAINING	31	7
F439736	SEAL, EXHAUST TUBE	29	68	F499026	SWIVEL	19	16
F440192-1	THROTTLE CAM	15	28	F499035	END, CONTROL ROD (TO TOWERSHAFT)	19	18
F440209	CARBURETOR STUD	15	30	F499036	END, CONTROL ROD (TO TRIGGER)	19	21
F440254	BALANCE TUBE	15	34	F499398	DECAL, WIRING - USA	23	93
F440906	CARBURETOR GASKET	15	31	F500843	CABLE	43	8
F440906	CARBURETOR GASKET	23	-	F500894	POINTER, TIMING	17	-
F440925	CHOKE ROD	11	4	F50109	PLUG, GEAR HOUSING	33	49
F441754-1	HOSE	15	3	F50342-1	SEAL, BEARING CAGE BOLT	35	-
F448446	CLAMP, TRIM SWITCH CABLE	41	41	F50342-1	SEAL, O-RING	31	17
F448543	KNOB	39	29	F506118	SEAL, DRIVESHAFT	33	57
F448611-1	LEVER	39	30	F506118	SEAL, PROPELLER SHAFT	31	18
F448894	INDICATOR - PORT	39	-	F506118	SEAL, PROPELLER SHAFT	35	-
F449010	CYLINDER	43	32	F510374	DECAL, CIRCUIT BREAKER - USA	7	37
F449253-1	HYDRAULIC LINE, TRIM CYLINDER, LOWER	43	37	F510460	CIRCUIT BREAKER	7	38
F449254	HYDRAULIC LINE, TRIM CYLINDER, UPPER	43	23	F511125-2	TUBE, STEERING SUPPORT	27	42
F449278	PISTON SEAL	43	30	F511675	STARTER BRACKET, LOWER	9	13
F449342	SEAL, PISTON SHAFT	43	28	F511708	COVER, CARBURETOR	11	32
F449354	THRUST BRACKET	43	25	F523031	GASKET, WATER PUMP	33	62
F449545-2	CYLINDER HOUSING	43	33	F523031	GASKET, WATER PUMP	35	-
F449632	SHAFT	43	36	F523057	BEARING, DRIVESHAFT LOWER	35	76
F449754-1	HYDRAULIC LINE, LIFT CYLINDER, LOWER	43	39	F523065-1	IMPELLER	35	-
F449758	HYDRAULIC LINE, LIFT CYLINDER, UPPER	43	38	F523065-1	IMPELLER, WATER PUMP	33	64
F449889	SHAFT, UPPER	45	51	F523094-2	PROPELLER NUT	31	6
F449894	INDICATOR - STARBOARD	39	32	F523099-1	SPACER, PROPELLER	31	12
F455449	SWITCH, TRIM	39	39	F523116	EXHAUST SNOUT	33	44
F460917	STARTER RELAY	5	23	F523133-2	MOTOR LEG	27	14
F474073-1	CLAMP SCREW	27	31	F523146	SEAL	25	19
F475301-1	MODULE	7	45	F523146	SEAL, CRANKSHAFT LOWER	25	13
F475504	BUSHING	7	42	F523188	NUT, BEVEL PINION	33	39
F476066-1	THERMOSTAT COVER	23	90	F523244	INLET WATER LINE	31	5
F476067	GASKET	23	87	F523273	STEERING BALL STUD	27	22
F476067	THERMOSTAT COVER GASKET	23	-	F523274	GREASE FITTING	27	39
F476529-1	CYLINDER HEAD GASKET	21	76	F523280	NUT, STEERING SUPPORT TUBE	29	48
F476529-1	CYLINDER HEAD GASKET	23	-	F523300-1	SPRING	27	18
F480038-2	SUPPORT PLATE	3	11	F523411	RETAINING RING, BEARING CAGE	31	23
F480107-1	CAM STARTER INTERLOCK	21	57	F523451	SPACER, REEDS STOP	17	50
F480388	DISC, WATER PUMP LOCATING	33	67	F523498	DRIVE KEY, WATER PUMP	35	74
F480818	BEARING	3	9	F523498	KEY	35	-
F481382-1	SPACER, LATCH SHAFT	3	23				
F481434	GUIDE, ENGINE COVER	3	36				

# PARTS INDEX

Part Number	Description	Pg.	Ref. No.	Part Number	Description	Pg.	Ref. No.
F523555	SEAL, O-RING, GEAR HOUSING COVER . . . . .	33	54	F5H041	BATTERY TERMINAL KIT . . .	52	-
F523562	PLATE, WATER PUMP . . . . .	33	63	F5H043	BUZZER, HEAT INDICATOR, (ACCESSORY ITEM) . . . . .	7	50
F523562	PLATE, WATER PUMP . . . . .	35	-	F5H043	OVERHEAT BUZZER . . . . .	51	-
F523705	GEAR SHIFT ROD LOWER . . . . .	33	51	F5H044	TILT STOP KIT . . . . .	52	-
F523813	BEARING CUP . . . . .	33	33	F5H044	TILT STOP KIT . . . . .	52	-
F523881-2	STEERING LINK . . . . .	27	16	F5H059	CHRYSLER OUTBOARD MULTI-PURPOSE GREASE	53	-
F523899	GROMMET, WATER LINE . . . . .	31	4	F5H060	CHRYSLER OUTBOARD GREASE GUN . . . . .	53	-
F523901	BEARING, BEVEL GEAR REAR . . . . .	31	25	F5H069	RFI SUPPRESSION KIT . . . . .	51	-
F523930	RETAINER . . . . .	27	21	F5H070	REMOTE ELECTRIC CABLE	52	-
F523961	CRUSH RING . . . . .	33	55	F5H075	WIRING HARNESS - IGNITION SWITCH - 24" . . . . .	53	-
F528068	THERMOSTAT . . . . .	23	88	F5H076	SWITCH EXTENSION CABLE	52	-
F528995	COVER, CYLINDER HEAD . . . . .	21	79	F5H077	IGNITION KEY SWITCH . . . . .	52	-
F530160	REED (5 PETAL) . . . . .	15	40	F5H078	IGNITION KEY SWITCH . . . . .	52	-
F531892	DECAL, PORT . . . . .	39	-	F5H078	SWITCH, IGNITION (ACCESSORY ITEM) LONG BARREL . . . . .	5	16
F545189	BUSHING, CABLE ENTRY . . . . .	3	13	F5H079	REMOTE CONTROL BOX . . . . .	51	-
F548984	BLANKET, SILENCER TOP (NOT SHOWN) . . . . .	3	-	F5H080	TWIN REMOTE CONTROL BOX . . . . .	51	-
F549189	BUSHING, ELECTRIC CABLE	3	12	F5H081	BATTERY CABLE . . . . .	51	-
F552985	BLANKET, SILENCER SIDE (NOT SHOWN) . . . . .	3	-	F5H094	STEERING LINK . . . . .	51	-
F563	TERMINAL BLOCK KIT . . . . .	53	-	F5H108	STEERING CONNECTOR . . . . .	51	-
F58685-2	CONNECTOR, SHIFT CABLE	39	2	F5H115	TRAILERING TILT LOCK . . . . .	52	-
F590	REMOTE CONTROL HEAD (SINGLE LEVER) . . . . .	51	-	F5H119	PROPELLER SPACER - FLARED . . . . .	51	-
F596	CHRYSLER OUTBOARD OIL	53	-	F5H119	WASHER (ACCESSORY ITEM) . . . . .	31	10
F597	CHRYSLER OUTBOARD GEAR LUBE . . . . .	53	-	F5H120	REMOTE CONTROL BACK PLATE . . . . .	51	-
F5H003	SPEEDOMETER FLUSH MOUNT . . . . .	52	-	F5H130	REMOTE CONTROL BOX (SINGLE LEVER) (SURFACE MOUNT) . . . . .	51	-
F5H014	FLUSHING ADAPTER . . . . .	51	-	F5H132	REMOTE CONTROL HANDLE TRIM SWITCH . . . . .	52	-
F5H018	DUAL ENGINE TIE BAR . . . . .	51	-	F5H134	BOAT WHITE LACQUER . . . . .	51	-
F5H019	ANTI-CORROSION KIT . . . . .	51	-	F5H146	POWER TILT . . . . .	52	-
F5H021	EXTENSION CABLE . . . . .	52	-	F5H150	POWER TRIM . . . . .	52	-
F5H025	ANTI-CORROSION SACRIFICIAL ANODE . . . . .	51	-	F5H153	TACHOMETER FLUSH MOUNT . . . . .	52	-
F5H026	FUEL TANK (ACCESSORY ITEM) . . . . .	37	2	F5H154	SPEEDOMETER FLUSH MOUNT . . . . .	52	-
F5H026	STEEL, 6 GALLON FUEL TANK (LOW PROFILE) . . . . .	51	-	F5H155	SPEEDOMETER - FLUSH MOUNT . . . . .	52	-
F5H028	SENDING UNIT . . . . .	52	-	F5H156	TEMPERATURE GAUGE - FLUSH MOUNT . . . . .	52	-
F5H029	TANK ANCHOR . . . . .	51	-	F5H157	VOLTMETER - FLUSH MOUNT . . . . .	51	-
F5H030	SWITCH KIT - RUNNING LIGHTS . . . . .	52	-	F5H159	HOURLMETER - FLUSH MOUNT . . . . .	51	-
F5H031	SWITCH KIT - SPOT LIGHT . . . . .	52	-	F5H161	POWER TRIM INDICATOR . . . . .	51	-
F5H032	SWITCH KIT - WIPER . . . . .	52	-	F615029	TRIGGER ASSY. . . . .	7	58
F5H034	SWITCH KIT - BILGE PUMP . . . . .	52	-	F615097	FLYWHEEL . . . . .	7	61
F5H035	SWITCH KIT - HORN . . . . .	52	-	F615358	BRACKET (C.D. - COIL) . . . . .	5	30
F5H036	SWITCH KIT - TACHOMETER TRANSFER . . . . .	52	-	F615475	IGNITION COIL . . . . .	7	46
F5H037	CIGAR LIGHTER . . . . .	52	-	F615744	WIRING HARNESS . . . . .	5	14
F5H038	IGNITION SWITCH MOUNTING KIT (ACCESSORY ITEM) . . . . .	5	22	F7004	STOP NUT, 3/8 - 16 . . . . .	21	49
F5H038	SWITCH KIT - IGNITION SWITCH . . . . .	53	-				
F5H039	SWITCH KIT - INSTRUMENT LIGHTS . . . . .	52	-				

# PARTS INDEX

Part Number	Description	Pg.	Ref. No.	Part Number	Description	Pg.	Ref. No.
F7008	ELASTIC STOP NUT .....	19	32	F84504	GROMMET (THERMOSTAT)	23	89
F7009	LOCK NUT, #10 - 24 .....	23	107	F84521-1	CLUTCH .....	31	30
F7012	STOP NUT .....	27	25	F84748-3	CYLINDER DRAIN REED PLATE GASKET .....	23	-
F71H26	BATTERY TERMINAL KIT (ACCESSORY ITEM) .....	7	48	F84748-3	GASKET, CYL. DRAIN REED PLATE .....	21	44
F74305	SEAL, DRIVESHAFT BEARING CAGE .....	33	56	F84792	GASKET, CENTER FUEL PUMP VALVE .....	15	11
F74305	SEAL, GEAR HOUSING COVER .....	35	-	F84871-1	PIN, GEAR SHIFT W/YOKE ..	31	28
F762	REMOTE ELECTRIC CABLE	52	-	F85017	PISTON PIN .....	25	4
F8003	PLAIN WASHER .....	19	38	F85033	SWIVEL, CHOKE ROD (BOTTOM CARBURETOR) (NOT SHOWN) .....	11	-
F8011	PLAIN WASHER .....	7	39	F85037-1	STERN BRACKET PIVOT BOLT .....	29	50
F8028	PLAIN WASHER .....	7	43	F85117	BRACKET, WATER LINE ...	31	2
F8028	PLAIN WASHER .....	9	12	F85130	BOOT IDLE EXHAUST .....	27	5
F8038	PLAIN WASHER .....	19	4	F85161-1	REED STOP .....	15	39
F8038	PLAIN WASHER .....	27	17	F85211	STUD .....	21	47
F8056	LOCKWASHER .....	23	85	F85258	INSERT .....	27	4
F8056	SPRING LOCKWASHER ...	5	7	F85279-2	CYLINDER EXHAUST UPPER GASKET .....	23	-
F8058	INTERNAL TOOTH LOCKWASHER .....	15	24	F85279-2	GASKET, CYLINDER EXHAUST UPPER .....	21	66
F8058	INTERNAL TOOTH LOCKWASHER .....	21	75	F85314-1	FUEL FITTING .....	11	7
F8077	WASHER .....	35	-	F85317-1	SOLENOID CLAMP .....	15	21
F8077	WASHER, GEAR HOUSING PLUG .....	33	48	F85372	PIN, GEAR SHIFT ROD LOWER .....	33	53
F8080	SPRING LOCKWASHER ...	27	20	F8538	SPRING PIN .....	27	32
F8083	SPRING LOCKWASHER ...	3	20	F85380	SPRING .....	27	6
F8083	SPRING LOCKWASHER ...	7	63	F85410	SNAP RING .....	25	8
F8083	SPRING LOCKWASHER ...	27	2	F85445	CONTROL ROD .....	19	20
F8083	SPRING LOCKWASHER ...	33	60	F85498	FLYWHEEL KEY .....	25	16
F8083	SPRING LOCKWASHER ...	35	-	F85502	THROTTLE LINK .....	19	26
F8088	PLAIN WASHER .....	5	2	F85509-1	LINK, CHOKE .....	11	2
F8088	PLAIN WASHER .....	11	12	F85571	BEARING CAGE W/ROLLER	25	10
F8094	PLAIN WASHER .....	3	21	F85606	KINGPIN CAP .....	29	56
F8095	PLAIN WASHER .....	21	48	F85610	BEARING .....	21	56
F8096	SPRING LOCKWASHER ...	3	16	F85615	GEAR SHIFT ROD UPPER ..	29	62
F8096	SPRING LOCKWASHER ...	3	28	F8563	DOWEL PIN .....	19	14
F8096	SPRING LOCKWASHER ...	5	24	F85634-2	CONNECTING ROD SCREW	25	14
F8096	SPRING LOCKWASHER ...	23	105	F85660-1	EXHAUST TUBE .....	27	1
F8096	SPRING LOCKWASHER ...	29	59	F85704	COUPLER, GEAR SHIFT ROD .....	29	60
F8096	SPRING LOCKWASHER ...	33	46	F85762	BY-PASS COVER GASKET .	23	-
F8104	PLAIN WASHER .....	19	10	F85762	BY-PASS VALVE COVER GASKET .....	23	100
F84011	WASHER .....	29	46	F85772	CLAMP .....	27	7
F84074	CLAMP SCREW FOOT .....	27	30	F85779-1	BAFFLE, AIR INTAKE .....	29	52
F84286-1	FRICITION WASHER .....	29	45	F85843-1	ELECTRIC CONTROL CABLE, 18 FEET .....	5	35
F84305	SEAL, O-RING PROPELLER SHAFT SPOOL .....	31	21	F85859	STUD .....	19	15
F84305	SEAL, PROPELLER SHAFT SPOOL .....	35	-	F85906	CARBURETOR GASKET ...	23	-
F84307-1	SEAL, DRIVESHAFT .....	35	-	F85908	STARTER LEAD WIRE .....	9	9
F84314-2	ELBOW .....	11	9	F85916-1	BY-PASS VALVE .....	23	102
F84314-2	ELBOW .....	15	6	F85924	CHOKE SOLENOID .....	5	36
F84314-2	ELBOW .....	21	46	F85965	SHOCK MOUNT UPPER ...	29	63
F84342	SEAL, INLET WATER LINE, UPPER .....	31	3	F89758	FUEL PUMP AIR HOSE - TOP .....	15	7
F84449	NEUTRAL INTERLOCK SWITCH .....	5	3	F9018	CAP .....	29	49
F84472-5	CYLINDER DRAIN COVER GASKET .....	23	-				

# PARTS INDEX

Part Number	Description	Pg.	Ref. No.	Part Number	Description	Pg.	Ref. No.
F9052	PLUG	27	40	FA523098	PROPELLER SHAFT	31	27
F90619-1	YOKE	33	34	FA523136	CAGE, REAR	31	22
F90807	RETAINING RING	11	34	FA523485	ANTICORROSION ANODE	31	14
F9095	SHIM, DRIVESHAFT BEARING UPPER .005 SILVER	35	-	FA523735	SEAL, INLET WATER LINE, LOWER	35	70
F9097	SHIM, DRIVESHAFT BEARING, UPPER .010 BLACK	35	-	FA528018	CRANKSHAFT	25	15
F9106	SHIM, DRIVESHAFT BEARING, UPPER .003 BRASS	35	75	FA552180	TRIM REAR	3	4
F91446-1	CIRCUIT BREAKER BRACKET	7	41	FA552888	TRIM, FRONT	3	33
F92759	THROTTLE ROLLER	13	46	FA552944	ENGINE COVER	3	5
F93811	SCREEN	21	43	FA58976-1	CONNECTOR, THROTTLE CABLE	39	1
F93920	REED STOP	19	39	FA612396	DECAL, STARBOARD	3	-
F97772	CLAMP	11	6	FA612397	DECAL, PORT	3	7
F97772	FUEL LINE CLAMP	37	11	FA615010	CYLINDER	19	1
F98273	ROD END CONNECTOR STUD	21	74	FA615095	ALTERNATOR STATOR	7	59
FA15072	HEX LOCK NUT, 1/4 - 20 W/WASHER	9	8	FA615386	DECAL, NUMERAL	3	6
FA17559	LIFT CYLINDER COMPLETE	43	40	FA615518	CYLINDER HEAD	21	77
FA17561-1	O-RING	45	44	FA84621-1	COUPLING, GEAR SHIFT ARM W/BUSHING	33	50
FA178233	THROTTLE TIE BAR W/SWIVEL	11	35	FA84754-1	FUEL LINE SHORT W/FERRULES	37	8
FA178962	SHOCK ABSORBER W/BUSHING	27	34	FA85019	KINGPIN	27	37
FA178962	SHOCK ABSORBER W/BUSHING	45	48	FA85135-4	LEG COVER FRONT	29	57
FA27232	EMERGENCY STARTER ROPE (NOT SHOWN)	5	-	FA85193	TIE BAR END W/SWIVEL	11	38
FA335260	PISTON RING SET (2 PER SET) - STANDARD	25	1	FA85355-1	WASHER	29	66
FA368700	KEY IGNITION - NO LETTER OR STAMPED A	5	19	FA85655-1	CRANKSHAFT MAIN BEARING RACE W/SNAP RING	25	9
FA411222	TRANSFER PORT COVER	21	51	FB368700	KEY IGNITION - STAMPED B	5	-
FA438431	FUEL PUMP BODY W/VALVES	15	12	FC368700	KEY IGNITION - STAMPED C	5	-
FA439493	BRACKET, TERMINAL BLOCK	5	10	FC409398	DECAL, TOTE TANK - CANADA (NOT SHOWN)	37	-
FA439746	FUEL PUMP COVER W/PLUG	15	1	FC500390	DECAL, STARTER - CANADA (NOT SHOWN)	9	-
FA440157	CARBURETOR ADAPTER, UPPER	15	-	FC510374	DECAL, CIRCUIT BREAKER - CANADA	7	-
FA440167	CARBURETOR ADAPTER, LOWER	15	33	FC615010	SHORT BLOCK	19	-
FA449015	PISTON	43	29	FC615054	GEAR HOUSING COMPLETE	33	-
FA449149	COVER W/SEALS AND RETAINER	43	27	FD368700	KEY IGNITION - STAMPED D	5	-
FA480179	TRIM TOP	3	1	FE368700	KEY IGNITION - STAMPED E	5	-
FA480269	TILT HANDLE	3	3	FG1019	GASKET SET	23	103
FA480876	GEAR SHIFT ARM	21	58	FK10103	REPAIR PARTS KIT.	11	1
FA481469	HANDLE	3	8	FK10107	INLET NEEDLE AND SEAT	11	19
FA481743	ROLLER BRACKET	3	27	FK1063-1	SEAL KIT	35	77
FA510497	TERMINAL BLOCK	5	13	FK1069	WATER PUMP KIT	35	78
FA523014	CRANKSHAFT LOWER MAIN BEARING	25	12	FK1123	SPARKIE KIT	7	54
FA523054	GEAR HOUSING	33	38	FK17114-1	INDICATOR	41	43
				FK405020	SWIVEL W/CLAMP, SHOULDER SCREW AND NUT	19	30
				FK615128	DRIVESHAFT	35	73
				FK85228-1	BEARING CAGE W/ROLLER	25	7
				FO10588	BODY CHANNEL CUP PLUG	13	48
				FO11103	IDLE MIXTURE SCREW SPRING	11	28
				FO13193	MAIN FUEL JET OPT. .088 4500 - 6000 FT.	13	-
				FO13554	FLOAT	11	25
				FO13944	FLOAT LEVER PIN	11	24

# PARTS INDEX

Part Number	Description	Pg.	Ref. No.	Part Number	Description	Pg.	Ref. No.
FO14166	IDLE MIXTURE SCREW . . . .	11	29	FT3012	SEAL INSTALLER . . . . .	48	-
FO14190	MAIN FUEL JET OPT. .092 1500 - 3000 FT. . . . .	13	-	FT7848	TORQUING ADAPTER . . . . .	48	-
FO14191	MAIN FUEL JET STD. .0937 SEA LEVEL - 1500 FT. . . .	11	40	FT8900	HOSE CLAMP PLIERS . . . . .	47	-
FO15406	MAIN FUEL JET OPT. .090 3000 - 4500 FT. . . . .	13	-	FT8901	INDICATOR HOLDER . . . . .	48	-
FO15623	FUEL BOWL GASKET . . . . .	11	26	FT8902	DIAL INDICATOR . . . . .	48	-
FO16128	BODY CHANNEL WELCH PLUG . . . . .	13	49	FT8903	SEAL INSTALLER . . . . .	47	-
FO16130	FUEL BOWL . . . . .	11	22	FT8907	DRIVE HANDLE . . . . .	47	-
FO16132	FUEL BOWL RETAINING SCREW . . . . .	11	20	FT8907	DRIVER HANDLE . . . . .	48	-
FO16133	MAIN NOZZLE . . . . .	11	23	FT8914	SEAL REMOVER . . . . .	47	-
FO16142	THROTTLE SHUTTER . . . . .	13	50	FT8918	BEARING GUIDE SET . . . . .	48	-
FO16143	THROTTLE SHAFT RETURN SPRING . . . . .	13	41	FT8919	SPRING PIN PUNCH . . . . .	48	-
FO16301	CHOKE SHAFT AND LEVER . . .	11	17	FT8925	SEAL INSTALLER . . . . .	47	-
FO16620	E-RING . . . . .	11	10	FT8925	SEAL INSTALLER . . . . .	48	-
FO17719	CHOKE, SHUTTER . . . . .	11	30	FT8926	RING EXPANDER . . . . .	47	-
FO17884	THROTTLE SHAFT AND LEVER . . . . .	13	42	FT8927	SEAL PROTECTOR . . . . .	47	-
FO17885	CHOKE SHAFT RETURN SPRING . . . . .	11	18	FT8933	LIFTING HOOK . . . . .	47	-
FO1974	SCREW . . . . .	13	44	FT8935	SEALANT PRIMER - 6 OZ. . .	50	-
FO5323	FUEL BOWL RETAINING SCREW GASKET . . . . .	11	21	FT8936-1	SEALANT - 2 CC LOCTITE RETAINING COMPOUND #75 . . . . .	50	-
FO8942	CHOKE AND THROTTLE SHUTTER SCREW . . . . .	11	31	FT8948-1	PULLER . . . . .	46	-
FO9678	CLIP, CHOKE SHAFT . . . . .	11	39	FT8948-1	PULLER . . . . .	48	-
FO992	LOCKWASHER . . . . .	13	43	FT8950	LEAKAGE TESTER . . . . .	49	-
FPS524	PROPELLER (ACCESSORY ITEM) . . . . .	31	11	FT8953	IGNITION TESTER . . . . .	49	-
FS409752	FUEL LINE COMPLETE. . . . .	37	-	FT8955	SEALANT - 5 OZ. EC-750 INDUSTRIAL SEALANT . . . .	50	-
FS85872-1	BRACKET . . . . .	21	72	FT8957	SEAL INSTALLER . . . . .	48	-
FSA335260	PISTON RING (2 PER SET) .010 OVERSIZE . . . . .	25	-	FT8969	LUBRICANT - 7 OZ. LPSI LUBRICANT . . . . .	50	-
FT1082	SNAP RING PLIER . . . . .	47	-	FT8978	POWER TIMING LIGHT . . . .	46	-
FT11204	BEARING CUP INSTALLER . . .	48	-	FT8983	SEALANT - 3 OZ. RTV SEALANT FROM IN PLACE GASKETS . . . . .	50	-
FT11205	BEARING INSTALLER/REMOVER . . . . .	48	-	FT8985	SEAL INSTALLER . . . . .	48	-
FT11207	BEARING CUP REMOVER . . . .	48	-	FT8997	SHIMMING TOOL . . . . .	48	-
FT11209	BEARING GUIDE SET . . . . .	48	-	FTA2937-1	TIMING TOOL . . . . .	46	-
FT2938-1	BATTERY POWERED TEST LIGHT . . . . .	46	-	FTA8994	PISTON PIN TOOL . . . . .	47	-
FT2951	CIRCUIT TRACER . . . . .	46	-	FTK8999	TEST WHEEL . . . . .	49	-
FT2953	SOCKET . . . . .	47	-	OB3062	LITERATURE (NOT SHOWN)	41	-
FT2961	LUBRICANT - RYKON GREASE #2EP . . . . .	50	-	22-818103--1	ELBOW, CYLINDER DRAIN LOWER . . . . .	19	34
FT2962-1	SEALANT - 50 CC LOCTITE H, NON-HARDENING GRADE . . . . .	50	-	32-817738A1	FUEL LINE LONG . . . . .	37	10
FT2963-2	SEALANT - 2 OZ. LOCTITE D, HARDENING GRADE . . . .	50	-	33-818007--1	SPARK PLUG (CHAMPION UL18V) - USA . . . . .	23	83
FT2987-1	LUBRICANT - ANTI-SEIZE . . .	50	-	39-818110A1	PISTON RING (2 PER SET) .030 OVERSIZE . . . . .	25	-
FT2990	PISTON PIN TOOL . . . . .	47	-	43-817854A2	BEVEL PINION GEAR . . . . .	33	40
FT2991	CARBON BRUSH . . . . .	47	-	46-817853A1	WATER PUMP . . . . .	35	-
FT2996	RING COMPRESSOR . . . . .	47	-	46-817853A1	WATER PUMP BODY . . . . .	33	65
FT2998	TORQUE WRENCH . . . . .	47	-	87-817939A1	THERMOSWITCH . . . . .	5	6
FT2999	TORQUE WRENCH . . . . .	47	-	600-818052A4	CONNECTING ROD . . . . .	25	6
				700-817988A2	PISTON .010 OVERSIZE . . . .	25	-
				700-818111A2	PISTON .030 OVERSIZE . . . .	25	-
				700-F372015-3	PISTON - STANDARD . . . . .	25	2
				1400-817958A6	PISTON - STANDARD . . . . .	27	24