



PARTS CATALOG

25 H.P.

SERIAL NUMBER

25 (1981)	252BIE
25 (1981)	252H1E
25 (1982)	252B2F
25 (1982)	252H2F

TABLE OF CONTENTS:

ACCESSORIES	41
CARBURETOR	10
CRANKSHAFT AND PISTON GROUP	14
ENGINE COVER AND SUPPORT PLATE	2
FUEL PUMP	16
FUEL TANK AND LINE	34
GEAR HOUSING	30
HAND STARTER	6
MAGNETO	8
MOTOR LEG	26
PARTS INDEX	44
POWER HEAD	18
REED PLATE	12
SPECIAL TOOLS - LOWER UNIT	38
SPECIAL TOOLS - LUBRICANTS AND SEALANTS	40
SPECIAL TOOLS - POWER HEAD	37
SPECIAL TOOLS - TEST EQUIPMENT	39
SPECIAL TOOLS - TUNE-UP	36
SWIVEL BRACKET GROUP	22

NOTE: Indented description indicate that these parts are included in preceeding assembly.

AR = As Required

NSS = Not Sold Separate

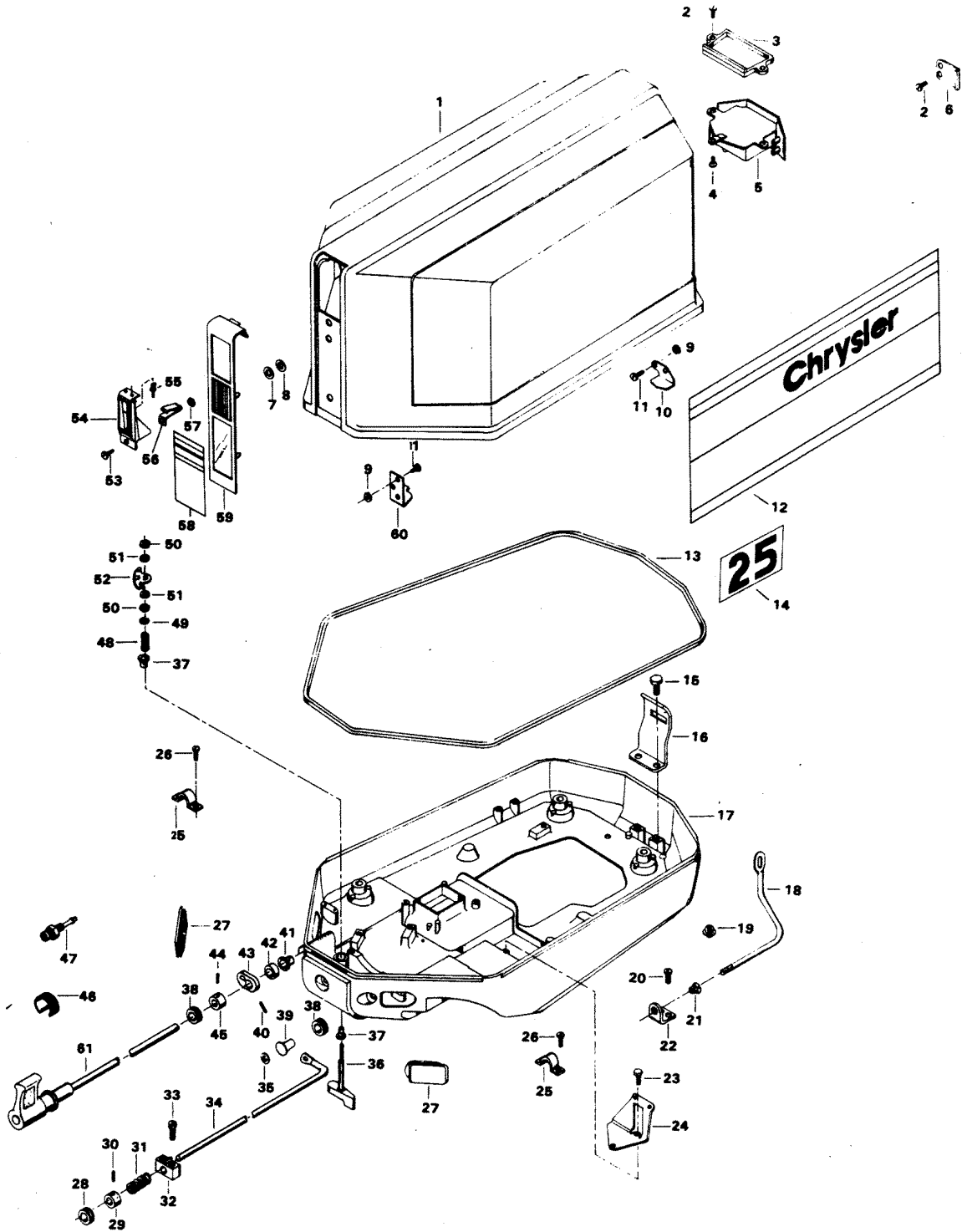
OPT = Optional

NS = Not Shown

THESE PARTS BOOKS/FICHE CARD ARE COPYRIGHTED AND MAY NOT BE DISTRIBUTED OR REPRODUCED IN ANY OTHER FORMAT BY ANYONE OTHER THAN MERCURY MARINE WITHOUT THE PRIOR WRITTEN CONSENT OF MERCURY MARINE.

THIS PAGE INTENTIONALLY LEFT BLANK

ENGINE COVER AND SUPPORT PLATE

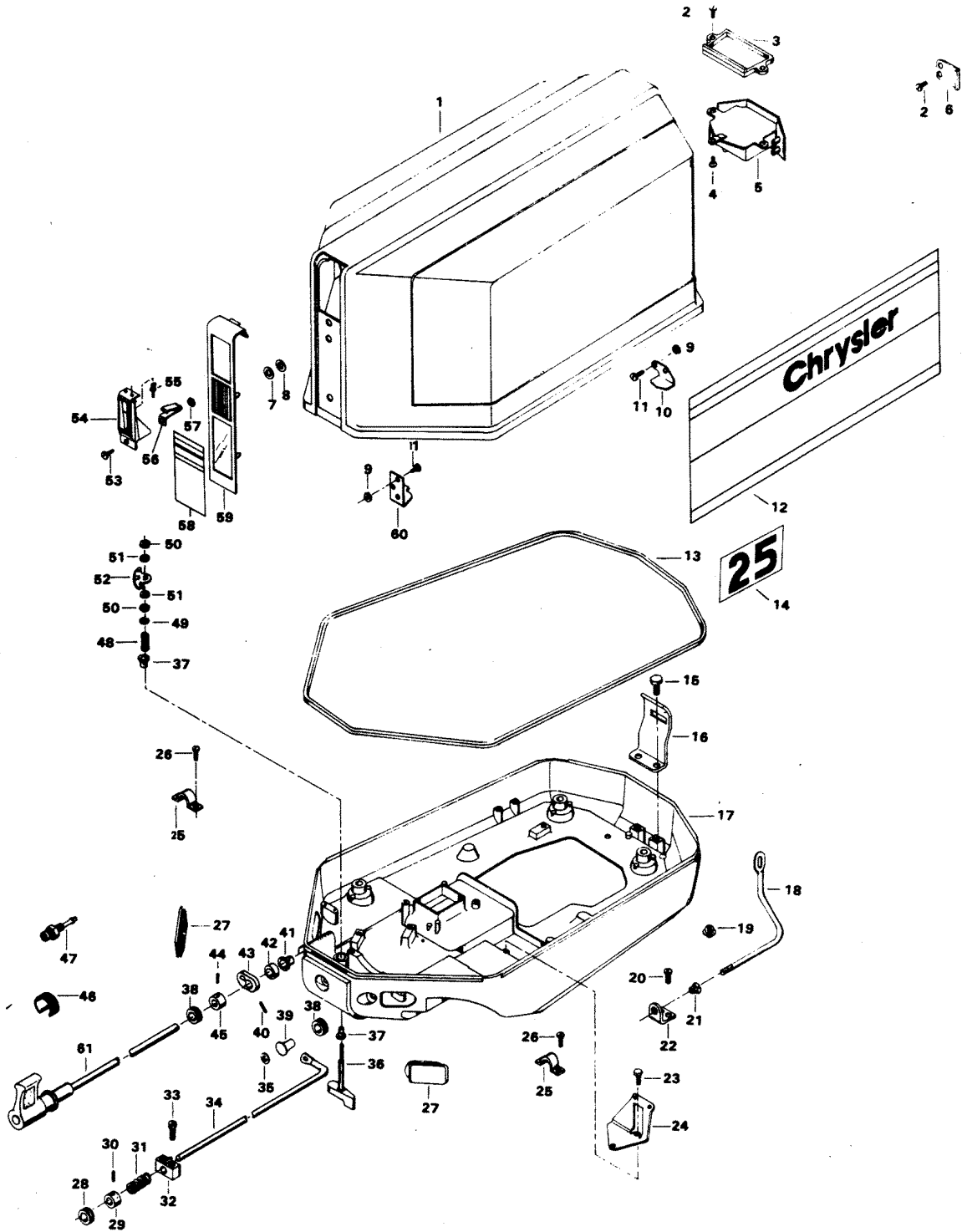


ENGINE COVER AND SUPPORT PLATE

REF. NO.	PART NO.	SYM.	QTY.	DESCRIPTION
1	100-818015A1		1	ENGINE COVER W/ILLUS. 9, 10, 11 AND 60 ORIGINAL FORCE P/N S 529712-1
-	2C602712		1	ENGINE COVER - COMPLETE. INCLUDES ALL ITEMS MARKED WITH AN ASTERISK (*), NUMERAL MUST BE ORDERED SEPARATE (HAND START)
2	F2066		6	PAN HD SCREW, 10 X 7/16
3	F458245-1		1	BAFFLE, TILT HANDLE
4	F2025		1	PAN HD SCREW, 10 X 5/8
5	817842A1		1	TILT HANDLE W/LITERATURE ORIGINAL FORCE P/N A 513269-1
6	F463864		2	RETAINER, TILT HANDLE
7	F85735-1		2	SEAL
8	F1753		2	FASTENER
9	F7011		4	HEX NUT
10	FA458480		1	RETAINER, ENGINE COVER - REAR W/ILLUS. 9 AND 11
11	F1475		4	FILL HD SCREW, 10 - 24 X 1/2
12	FA603397		1	DECAL, ENGINE COVER - PORT W/LITERATURE
-	FA603396		1	DECAL, ENGINE COVER - STARBOARD W/LITERATURE
13	F85756		1	PACKING, ENGINE COVER
14	FA529386		2	DECAL NUMERAL 25 W/LITERATURE
15	F1922		2	HEX HD SCREW, 1/4 - 20 X 5/8
16	F461774		1	BRACKET, RETAINER - REAR
17	F458038-2		1	SUPPORT PLATE
18	F458503		1	CHOKE ROD
19	F1632		1	PLASTI-PLUG
20	F1760		2	PAN HD SCREW, 10 - 24 X 3/8
21	F183818		1	BEARING, CHOKE ROD
22	F324993		1	BRACKET, CHOKE ROD BEARING
23	F1236		2	HEX CAP SCREW, 1/4 - 20 X 1/2
24	F458371		1	BRACKET, REMOTE THROTTLE CABLE
25	F154317		2	CLAMP, REMOTE CABLE
26	F2107		4	SLOTTED FILL HD SCREW W/SPRING LOCKWASHER, 10 - 24 X 5/8
27	F324840-1		2	GROMMET, REMOTE THROTTLE CABLE
28	F183504		1	GROMMET, MAGNETO CONTROL SHAFT
29	FA343178		1	RETAINER, MAGNETO CONTROL SHAFT W/ILLUS. 30
30	F1859		1	HEX SOCKET HEADLESS SET SCREW, 1/4 - 28 X 3/16
31	F183300		1	SPRING, MAGNETO CONTROL SHAFT
32	F324689		1	BEARING, MAGNETO CONTROL SHAFT
33	F1087		2	FILL HD SCREW, 10 - 24 X 7/8
34	FA458838		1	MAGNETO CONTROL SHAFT W/EYELET
35	F458677		1	INSERT, CHOKE KNOB
36	FA413469		1	COVER LATCH HANDLE W/SHAFT
37	F307818		2	BEARING, LATCH SHAFT

CONTINUED ON NEXT PAGE ➡

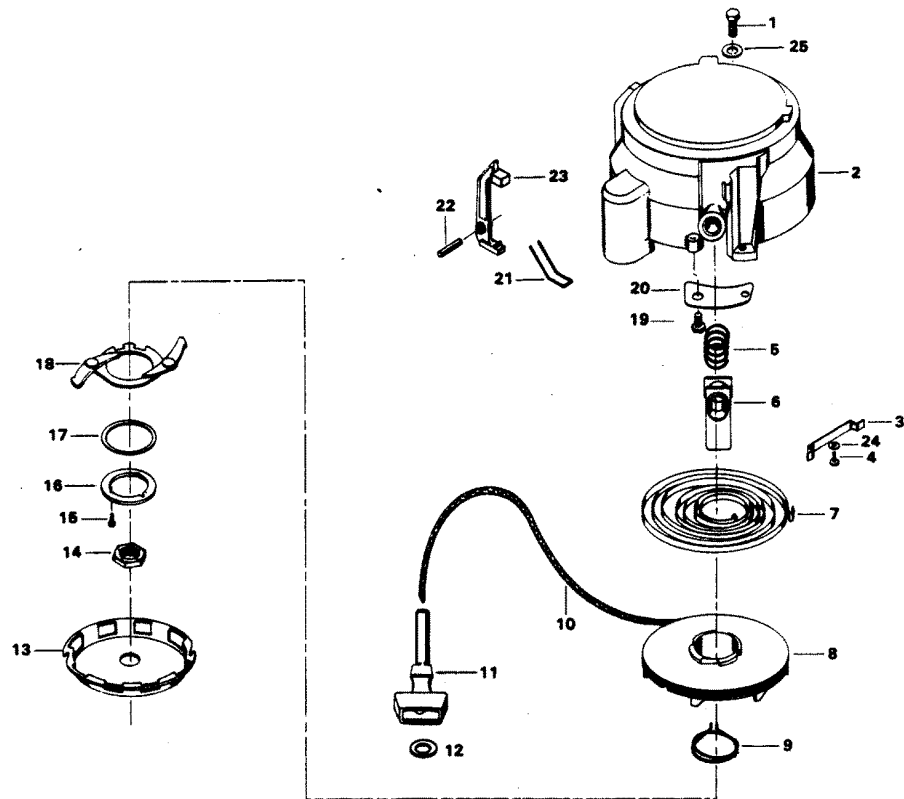
ENGINE COVER AND SUPPORT PLATE



ENGINE COVER AND SUPPORT PLATE

REF. NO.	PART NO.	SYM.	QTY.	DESCRIPTION
38	F24623-1		2	GROMMET, GEAR SHIFT CHOKE ROD
39	F286547		1	CHOKE KNOB
40	F1836		1	SPRING PIN
41	F307818		1	BEARING
42	F504836		1	SPACER, GEAR SHIFT SHAFT
43	F504621		1	LEVER, GEAR SHIFT CONTROL
44	F1859		1	HEX SOCKET HEADLESS SET SCREW, 1/4 - 28 X 3/16
45	FA343178		1	RETAINER, GEAR SHIFT SHAFT W/ILLUS. 44
46	F461400		1	INDICATOR, GEAR SHIFT
-	FC461400		1	INDICATOR, GEAR SHIFT - CANADA
47	F434767		1	BUSHING, FUEL LINE
48	F183300		1	SPRING, LATCH SHAFT
49	F185764		1	RETAINING RING
50	F1515		2	HEX JAM NUT, 5/16 - 18
51	F8096		2	SPRING LOCKWASHER
52	F89777-1		1	CAM, ENGINE COVER LATCH
53	F1760		1	PAN HD SCREW, 10 - 24 X 3/8
54	F458888-1		1	TRIM, STARTER HANDLE GUIDE
55	F2026		2	PLASTIC RIVET
56	F458880		1	CLIP, STARTER GUIDE
57	F1473		1	HEX NUT, 10 - 24
58	FA603892		1	DECAL ENGINE COVER - FRONT W/LITERATURE
59	F602711		1	PLATE, FRONT
60	FA458778		1	RETAINER, ENGINE COVER FRONT W/SCREWS AND NUTS
61	F2A504614		1	KNOB, GEAR SHIFT W/SHAFT ILLUS. 46

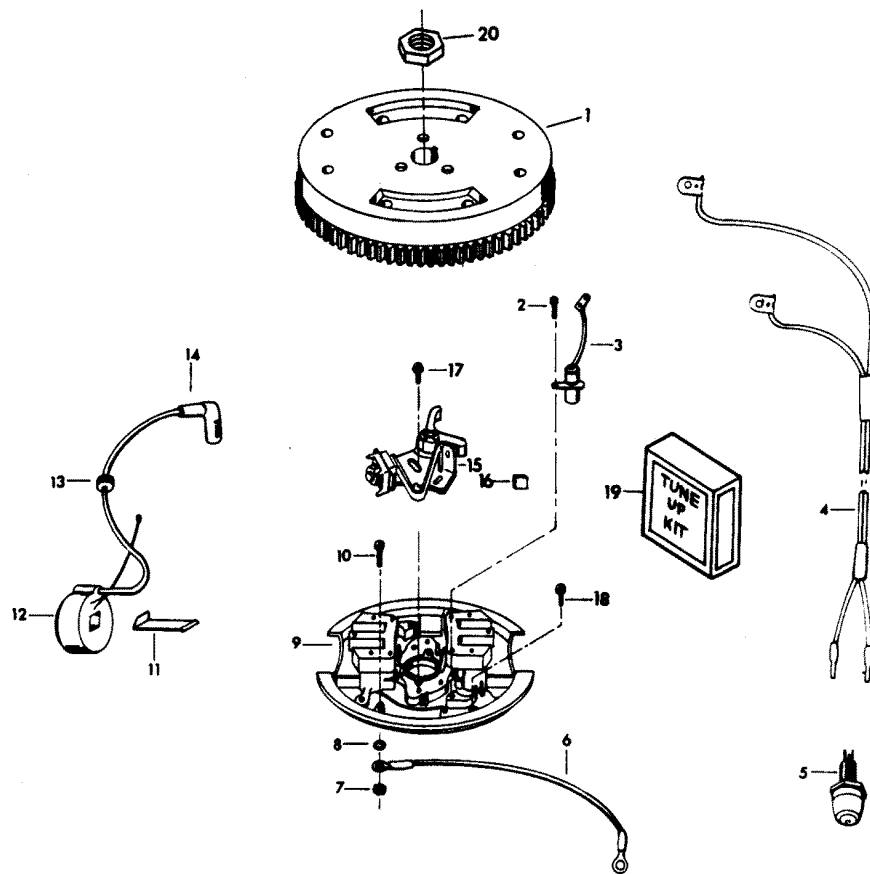
HAND STARTER



HAND STARTER

REF. NO.	PART NO.	SYM.	QTY.	DESCRIPTION
1	F1705		3	HEX WASHER HD SCREW, 1/4 - 20 X 3/4
2	817955A1		1	HOUSING, HAND STARTER W/ILLUS. 19, 20, 24 AND LITERATURE ORIGINAL FORCE P/N K 461408-1
3	F458937		1	LINER, STARTER HOUSING
4	F1927		1	PAN HD SCREW, 10 - 32 X 3/8
5	F458071		1	SPRING, STARTER HANDLE GUIDE
6	F458953-1		1	GUIDE, STARTER HANDLE
7	F458970		1	SPRING, STARTER REWIND
8	F458239		1	STARTER PULLEY
9	F458424		1	SPRING, STARTER PAWL PLATE
10	F458232		1	STARTER ROPE
11	F458132		1	HANDLE, STARTER ROPE
12	F2042		1	WASHER
13	F458456		1	HAND STARTER COLLAR
14	F2021		1	FLYWHEEL NUT
15	F2004		3	FILL HD SCREW, 8 - 32 X 3/8
16	F458592		1	RETAINER, STARTER PULLEY
17	F9022		-	SHIM .006 (SILVER)
-	F9023		-	SHIM .007 (BRASS)
-	F9024		-	SHIM .010 (BLACK)
18	FA460423		1	STARTER PAWL PLATE ASSEMBLY
19	F2040		1	HEX HD MACHINE SCREW, 1/4 - 20 X 5/8
20	F461952		1	STRAP, HAND STARTER HOUSING
21	F458846		1	SPRING, STARTER INTERLOCK LEVER
22	F1638		1	SPRING PIN
23	F458003		1	STARTER INTERLOCK LEVER
24	F8011		1	PLAIN WASHER
25	F2012		3	PLAIN WASHER

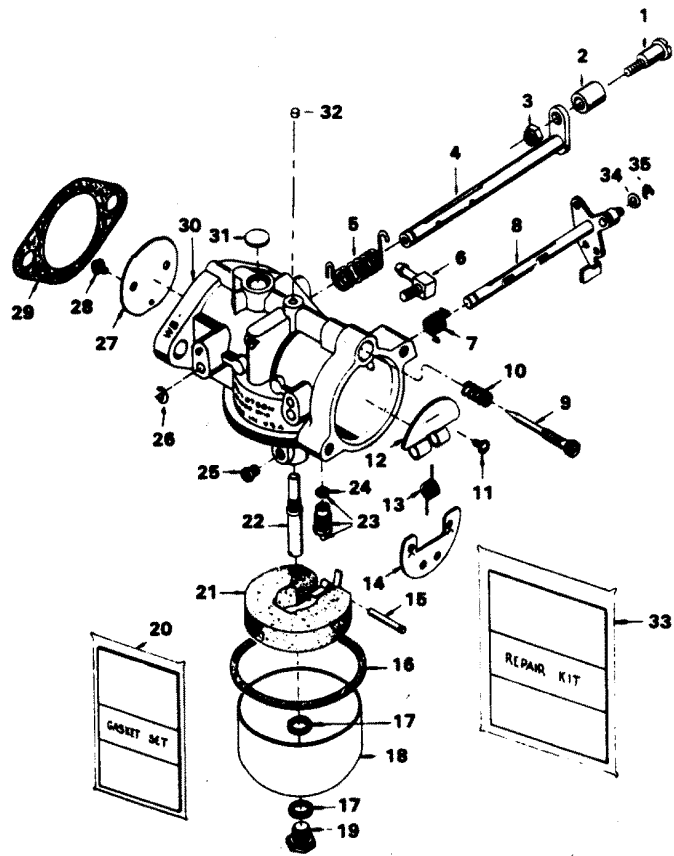
MAGNETO



MAGNETO

REF. NO.	PART NO.	SYM.	QTY.	DESCRIPTION
1	F460097-1		1	FLYWHEEL
2	F12170		2	CONDENSER MOUNTING SCREW
3	F12181-1		2	CONDENSER
4	F12186-1		1	GROUND LEAD
5	F436449		1	SHORTING SWITCH FOR MANUAL START MODELS
6	F460664		1	STATOR GROUND WIRE
7	F1513		1	HEX NUT
8	F8059		1	SPRING LOCKWASHER
9	F12346		1	STATOR PLATE W/LAMINATIONS
10	F1092		1	FILL HD SCREW, 10 - 32 X 5/8
11	F12146		2	COIL WEDGE SPRING
12	FA12370		2	COIL W/LEAD WIRE
13	F12088		2	GROMMET, LEAD WIRE
14	FK1123		2	SPARKIE W/SPRING
15	F12153-1		2	BREAKER POINT SET
16	F12360		1	CAM WIPER FELT
17	F12170		4	CONTACT SCREW W/LOCKWASHER
18	F2010		3	FILL HD SCREW W/SPRING LOCKWASHER, 10 - 32 X 9/16
19	FK1066		1	TUNE UP KIT. INCLUDES ITEMS MARKED WITH AN ASTERISK (*) .
20	F2021		1	FLYWHEEL NUT 5/8 - 18

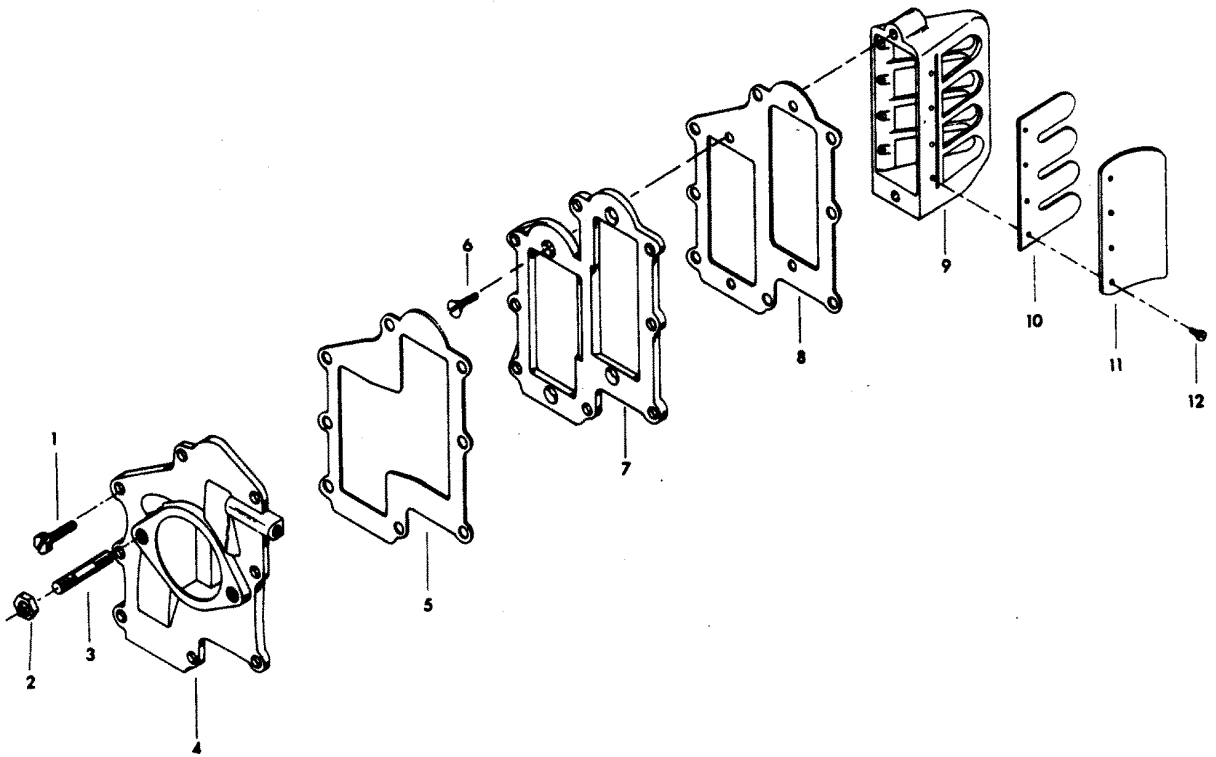
CARBURETOR



CARBURETOR

REF. NO.	PART NO.	SYM.	QTY.	DESCRIPTION
1	F333316		1	SHAFT, THROTTLE ROLLER
2	F92759		1	ROLLER, THROTTLE CAM FOLLOWER
3	F1997		1	LOCK NUT
4	FO17907		1	THROTTLE SHAFT AND LEVER
5	FO16563		1	THROTTLE SHAFT RETURN SPRING
6	F84314-2		1	ELBOW
7	FO16397		1	CHOKE SHAFT RETURN SPRING
8	FO16562		1	CHOKE SHAFT AND LEVER
9	FO14166		1	IDLE MIXTURE SCREW
10	FO11103		1	IDLE MIXTURE SCREW SPRING
11	FO10280		2	CHOKE SHUTTER RETAINING SCREW AND LOCKWASHER
12	FO12251		1	CHOKE RELIEF VALVE
13	FO10883		1	CHOKE RELIEF VALVE SPRING
14	FO12250		1	CHOKE SHUTTER
15	FO13944		1	FLOAT LEVER PIN
16	FO15623		1	FUEL BOWL GASKET
17	FO2510		2	FUEL BOWL RETAINING SCREW GASKET
18	FO13552		1	FUEL BOWL
19	FO13945		1	FUEL BOWL RETAINING SCREW
20	FK10000		1	GASKET SET. INCLUDES ITEMS MARKED WITH A DOUBLE ASTERISK (**)
21	FO13554		1	FLOAT
22	FO15213		1	MAIN NOZZLE
23	FO10790		1	INLET NEEDLE, SEAT AND GASKET
24	FO10165		1	INLET SEAT GASKET
25	FO14188		1	MAIN FUEL JET STD. .066 SEA LEVEL - 1250 FT.
-	FO14108		-	MAIN FUEL JET OPT. .064 1250-3750 FT.
-	FO14187		-	MAIN FUEL JET OPT. .062 3750-6250 FT.
-	FO14186		-	MAIN FUEL JET OPT. .060 6250-8250 FT. OPTIONAL SIZE MAIN FUEL JETS ARE TO BE USED ONLY AT ALTITUDES INDICATED
26	FO16620		1	E-RING, THROTTLE SHAFT RETAINING
27	FO17639		1	THROTTLE SHUTTER
28	FO8942		2	THROTTLE SHUTTER RETAINING SCREW AND LOCKWASHER
29	F40906-1		1	FLANGE GASKET
30	F461061-3		1	CARBURETOR COMPLETE (WB19D)
31	FO4326		1	BODY CHANNEL WELCH PLUG
32	FO10588		1	BODY CHANNEL WELCH PLUG
33	F10027		1	REPAIR PARTS KIT INCLUDES ALL ITEMS MARKED WITH AN ASTERISK (*) .
34	F8011		1	PLAIN WASHER
35	F90807		1	RETAINER, CHOKE ROD FOR MANUAL START MODELS

REED PLATE



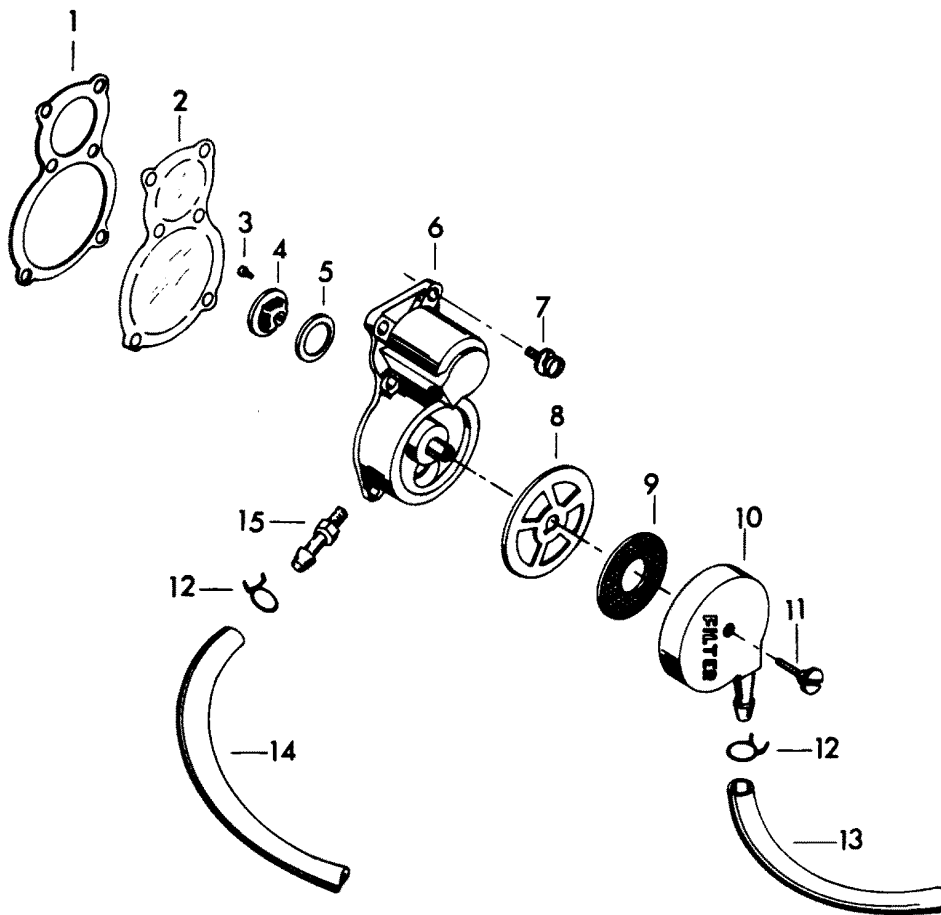
REED PLATE

REF. NO.	PART NO.	SYM.	QTY.	DESCRIPTION
1	F2008		8	HEX HD SCREW, 1/4 - 20 X 7/8
2	F1515		2	HEX NUT, 5/16 - 18
3	F40209		2	CARBURETOR STUD
4	FA458167		1	CARBURETOR ADAPTER W/ILLUSTRATION 3
5	F433168		1	GASKET, CARBURETOR ADAPTER W/STUDS
6	F1141		4	FLAT HD SCREW, 10 - 24 X 1/2
7	F433404		1	DEFLECTOR PLATE
8	F433406		1	GASKET, DEFLECTOR PLATE
9	FA572158		2	REED PLATE W/PLUG
10	F316160		4	REED
11	F88161-3		4	REED STOP
12	F1755		16	ROUND HD SCREW W/LOCKWASHER, 6 - 32 X 5/16

CRANKSHAFT AND PISTON GROUP

REF. NO.	PART NO.	SYM.	QTY.	DESCRIPTION
1	F90096		4	RETAINER, PISTON PIN
2	F366215		4	SPACER, PISTON PIN
3	F335217-1		2	BEARING, PISTON PIN
4	F458017		2	PISTON PIN
5	600-818052A4		2	CONNECTING ROD W/CAP AND ILLUS. 15 ORIGINAL FORCE P/N S 366016-4
6	F458015-1		2	PISTON
-	FSA458015		2	PISTON .010 OVERSIZE (NOT SHOWN)
-	700-818118A1		2	PISTON .030 OVERSIZE (NOT SHOWN)
7	FA458260		1	PISTON RING SET (4 PER SET)
-	FSA458260		1	PISTON RINGS (4 PER SET) .010 OVERSIZE (NOT SHOWN)
-	39-818119A1		1	PISTON RINGS (4 PER SET) .030 OVERSIZE (NOT SHOWN)
8	FA458655		1	LINER, CENTER MAIN (1 SET)
9	FA458571		1	ROLLER, CENTER MAIN
10	F458579		1	SEAL, CRANKCASE
11	F2A458581		1	COLLAR W/LOWER CRANKCASE SEAL
12	F461342		1	SEAL, DRIVESHAFT SPLINE
13	F455305		1	SEAL, CRANKSHAFT COLLAR
14	F286028		1	BEARING, CRANKSHAFT LOWER MAIN
15	F85634-2		4	SCREW, CONNECTING ROD
16	FK85228-1		2	BEARING CAGE W/ROLLERS (16 PER SET)
17	400-818058A1		1	CRANKSHAFT W/LOWER MAIN BEARING
18	F458498		1	FLYWHEEL KEY
19	F458028		1	BEARING, CRANKSHAFT UPPER MAIN

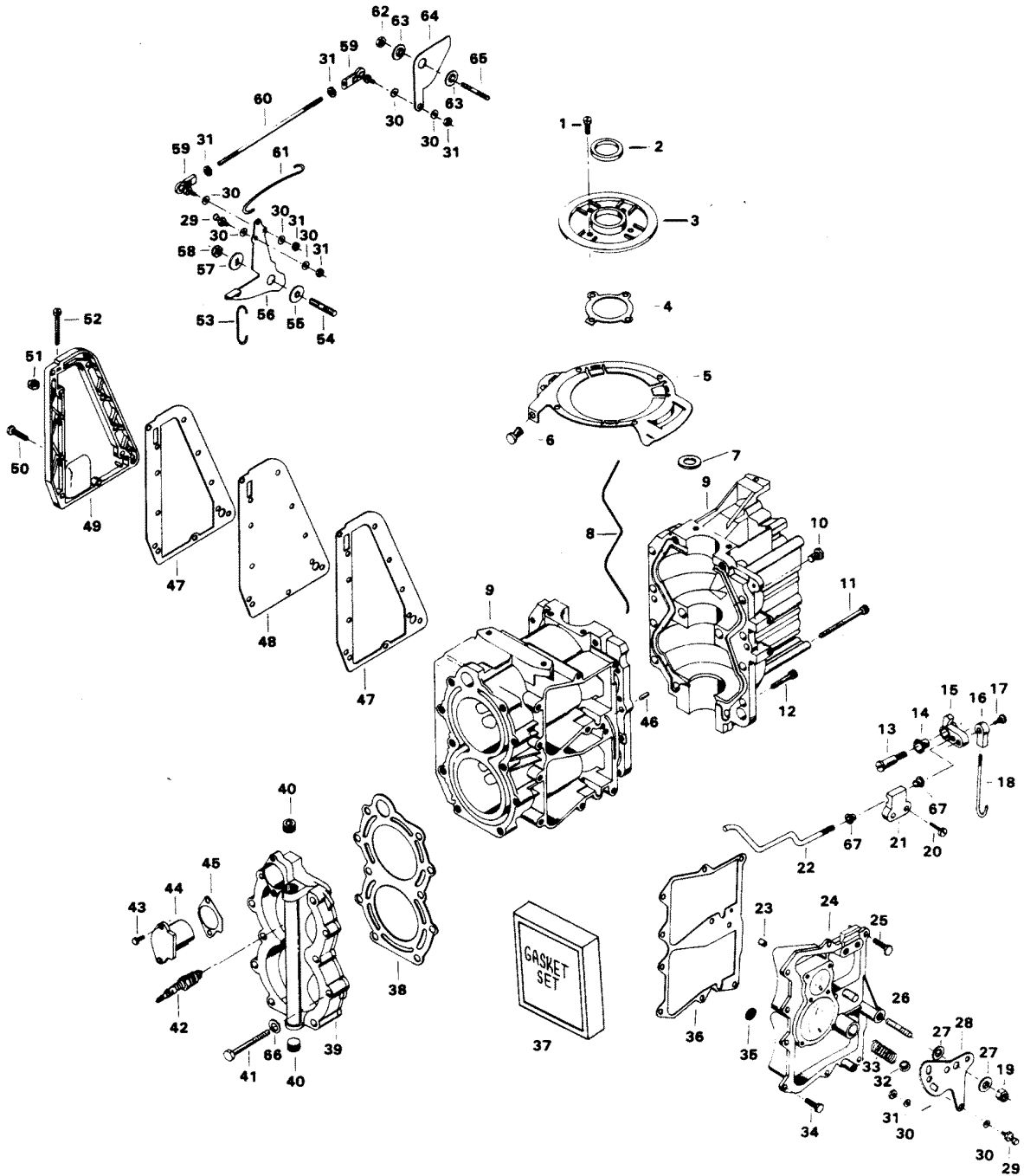
FUEL PUMP



FUEL PUMP

REF. NO.	PART NO.	SYM.	QTY.	DESCRIPTION
1	F438760		1	FUEL PUMP GASKET
2	F438747		1	FUEL PUMP DIAPHRAGM
3	F1860		2	BINDING HD MACHINE SCREW, 6 - 32 X 1/4
4	F177330		1	FUEL PUMP VALVE
5	F84792		3	FUEL PUMP VALVE GASKET
6	FA438431		1	FUEL PUMP BODY W/ILLUS. 3, 4 AND 5
7	F1108		6	FILL HD MACHINE SCREW W/LOCKWASHER, 1/4 - 20 X 34
8	F438617		1	GASKET, FUEL PUMP BOWL
9	F438653		1	SCREEN, FUEL PUMP
10	F438500		1	FUEL PUMP BOWL
11	F438165		1	SCREW, FUEL PUMP BOWL
12	F97772		4	FUEL LINE CLAMP
13	FA85754-1		1	HOSE, FUEL PUMP TO BUSHING W/ILLUS. 12
14	F458754		1	HOSE, FUEL PUMP TO CARBURETOR
15	F438801		1	FITTING, FUEL PUMP BODY

POWER HEAD

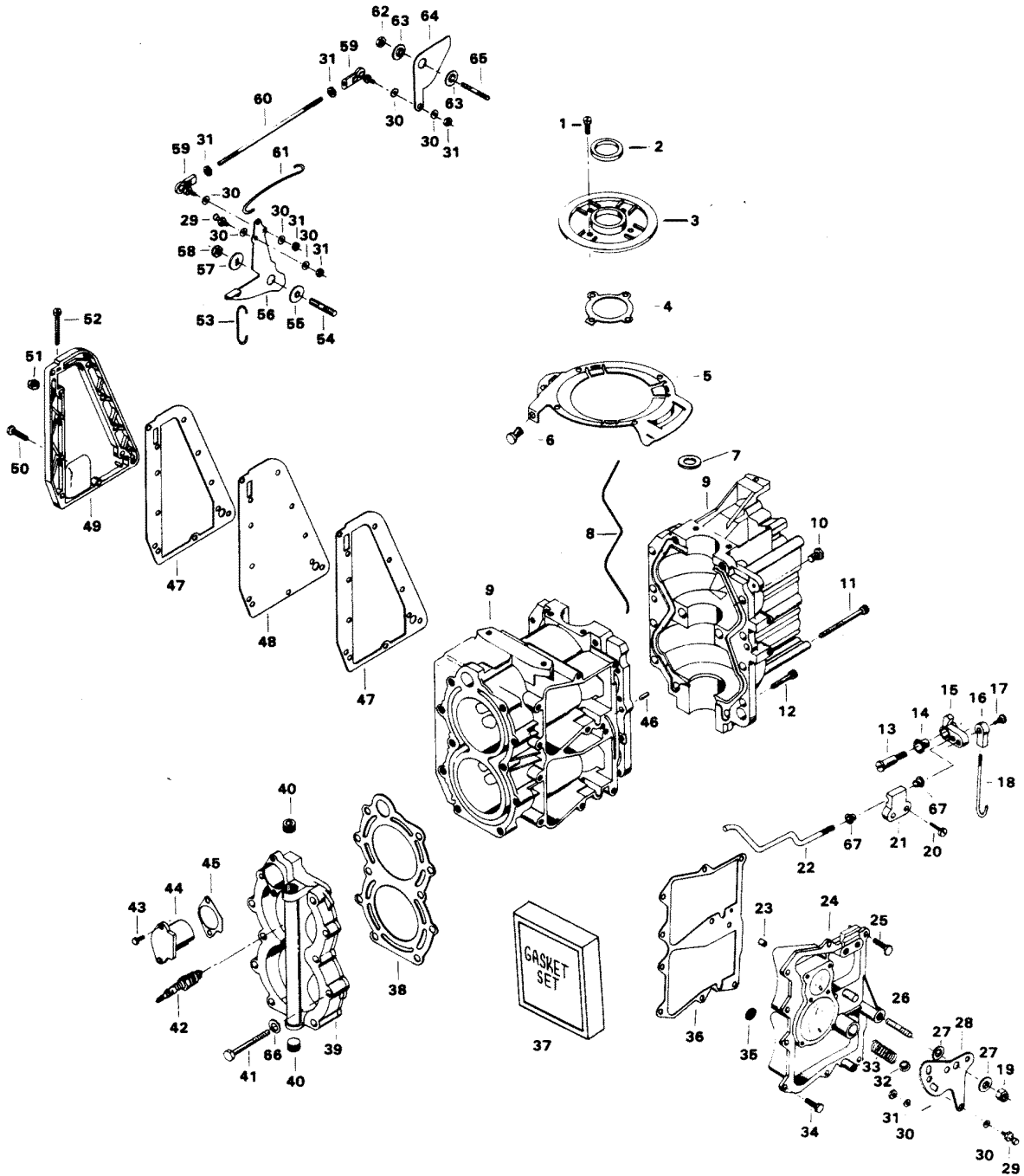


POWER HEAD

REF. NO.	PART NO.	SYM.	QTY.	DESCRIPTION
1	F1107		4	FILL HD SCREW, 1/4 - 20 X 3/4
2	F458146		1	SEAL, CRANKSHAFT UPPER MAIN
3	FA458144		1	CRANKSHAFT BEARING CAGE W/ILLUS. 2
4	F458277		1	GASKET, CRANKSHAFT BEARING CAGE
5	FA504082		1	MAGNETO STATOR RING W/ILLUS. 7
6	F1727		1	PLASTI-RIVET
7	F8000		1	PLAIN WASHER
8	F269122-1		1	SEAL, CRANKCASE PARTING LINE
9	FA542010		1	CYLINDER W/CRANKCASE COVER ILLUS. 8, 11, 12 AND 46
-	FC542010		1	SHORT BLOCK (NOT SHOWN) SHORT BLOCK INCLUDES ALL ITEMS MARKED WITH AN ASTERISK (*). ALSO REFER TO CRANKSHAFT PAGE.
10	F1864		8	HEX HD SCREW, 1/4 - 20 X 3/4
11	F2005		2	HEX SOCKET HD CAP SCREW, 5/16 - 18 X 2 3/4
12	F2013		4	HEX SOCKET HD CAP SCREW, 5/16 - 18 X 1 1/4
13	F85026		1	SWIVEL, SHIFT INTERLOCK LEVER
14	F307818		1	BEARING
15	F458977-3		1	LEVER, SHIFT INTERLOCK
16	F84035-2		1	BEARING, SHIFT INTERLOCK ROD
17	F84026		1	SWIVEL SHIFT INTERLOCK BEARING
18	817805A1		1	ROD, SHIFT INTERLOCK
19	F7004		1	LOCK NUT, 3/8 - 16
20	F1075		2	FILL HD M. SCREW, 10 - 24 X 1/2
21	F504527		1	CAP, INTERLOCK
22	F504809		1	ROD, STARTER INTERLOCK
23	21-817741A1		2	CHECK VALVE W/LITERATURE ORIGINAL FORCE P/N A 213740-1
24	FA572222		1	TRANSFER PORT COVER W/ITEM 23
25	F1922		9	HEX CAP SCREW, 1/4 - 20 X 5/8
26	F440209		1	STUD, GEAR SHIFT LEVER
27	F269052		2	BEARING, SHIFT LEVER
28	817808A2		1	LEVER, GEAR SHIFT
29	F98273		2	ROD END CONNECTOR STUD
30	F8058		8	INTERNAL TOOTH LOCKWASHER
31	F1513		6	HEX NUT, 10 - 32
32	F458727		1	BALL SHIFT LEVER DETENT
33	F183300		1	SPRING, SHIFT DETENT
34	F1922		1	HEX HD SCREW, 1/4 - 20 X 5/8
35	F429811		2	SCREEN, CYLINDER DRAIN
36	F458223		1	GASKET, TRANSFER PORT COVER
37	FG1010		1	GASKET SET (INCLUDES THE FOLLOWING ITEMS)
-	F40906-1		1	GASKET, CARBURETOR
-	F433168		1	GASKET, CARBURETOR ADAPTER
-	F433406		1	DEFLECTOR PLATE GASKET

CONTINUED ON NEXT PAGE ➡

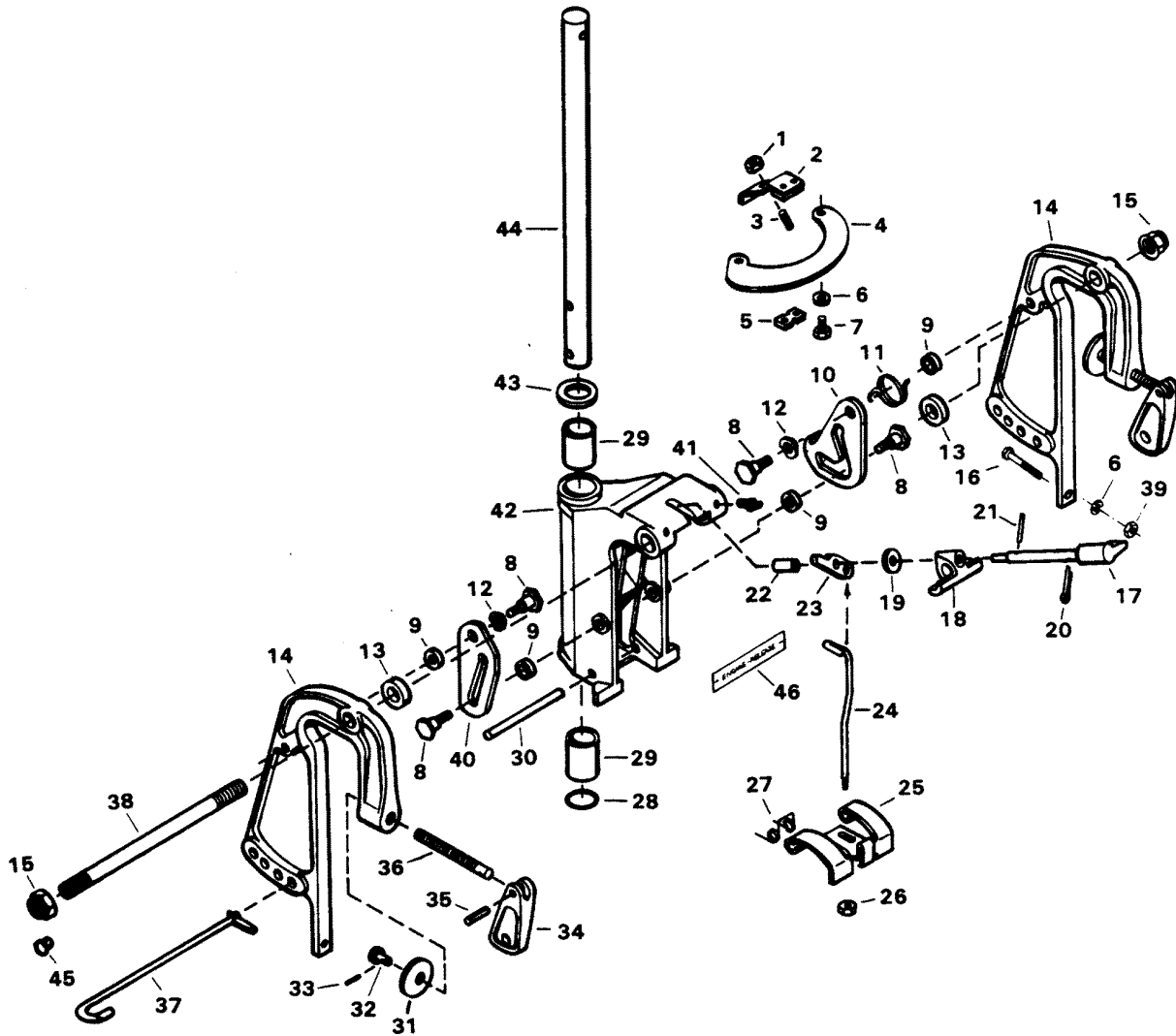
POWER HEAD



POWER HEAD

REF. NO.	PART NO.	SYM.	QTY.	DESCRIPTION
-	F438617		1	FUEL PUMP BOWL GASKET
-	F438760		1	FUEL PUMP GASKET
-	F458067		1	THERMOSTAT COVER GASKET
-	F458154		2	EXHAUST PORT PLATE
-	F458223		1	TRANSFER PORT COVER GASKET
-	F458277		1	CRANKSHAFT BEARING CAGE GASKET
-	F458279		1	CYLINDER EXHAUST GASKET
-	F458453		1	LEG EXHAUST GASKET
-	F458529		1	CYLINDER HEAD GASKET
38	F458529		1	GASKET, CYLINDER HEAD
39	FA458518		1	CYLINDER HEAD WILLUS. 40
40	F458109		2	PLUG, CYLINDER HEAD
41	F458936		10	SCREW, CYLINDER HEAD
42	33-82370M		2	SPARK PLUG (L-82)
-	C235227		2	SPARK PLUG, CANADA (RL82)
43	F1854		2	HEX CAP SCREW, 1/4 - 20 X 5/8
44	F458066		1	THERMOSTAT COVER
45	F458067		1	GASKET, THERMOSTAT COVER
46	F8559		2	DOWEL PIN
47	F458154		2	GASKET, EXHAUST PORT PLATE
48	F458151		1	EXHAUST PORT PLATE
49	F458152		1	EXHAUST PORT COVER
50	F1532		10	HEX HD SCREW, 1/4 - 20 X 1
51	F1341		1	HEX NUT
52	F1072		1	FILL HD SCREW, 1/4 - 20 X 3/4
53	F458445		1	LINK MAGNETO CONTROL SHAFT
54	F286440		1	STUD, MAGNETO CONTROL LEVER
55	F183813		1	BEARING
56	F2A458081		1	MAGNETO CONTROL LEVER WILLUS. 29, 30 AND 31
57	F286282		1	WASHER
58	F1803		1	STOP NUT
59	817747--1		2	JOINT BALL ASSEMBLY
60	F458502		1	ROD, THROTTLE CAM
61	F458509		1	LINK, MAGNETO STATOR
62	F1910		1	LOCK NUT
63	F269319		2	BEARING, THROTTLE CAM
64	F458192		1	THROTTLE CAM
65	F433209-1		1	STUD, THROTTLE CAM
66	F1739		10	PLAIN WASHER
67	F504052		2	BEARING (HAND START ONLY)

SWIVEL BRACKET GROUP

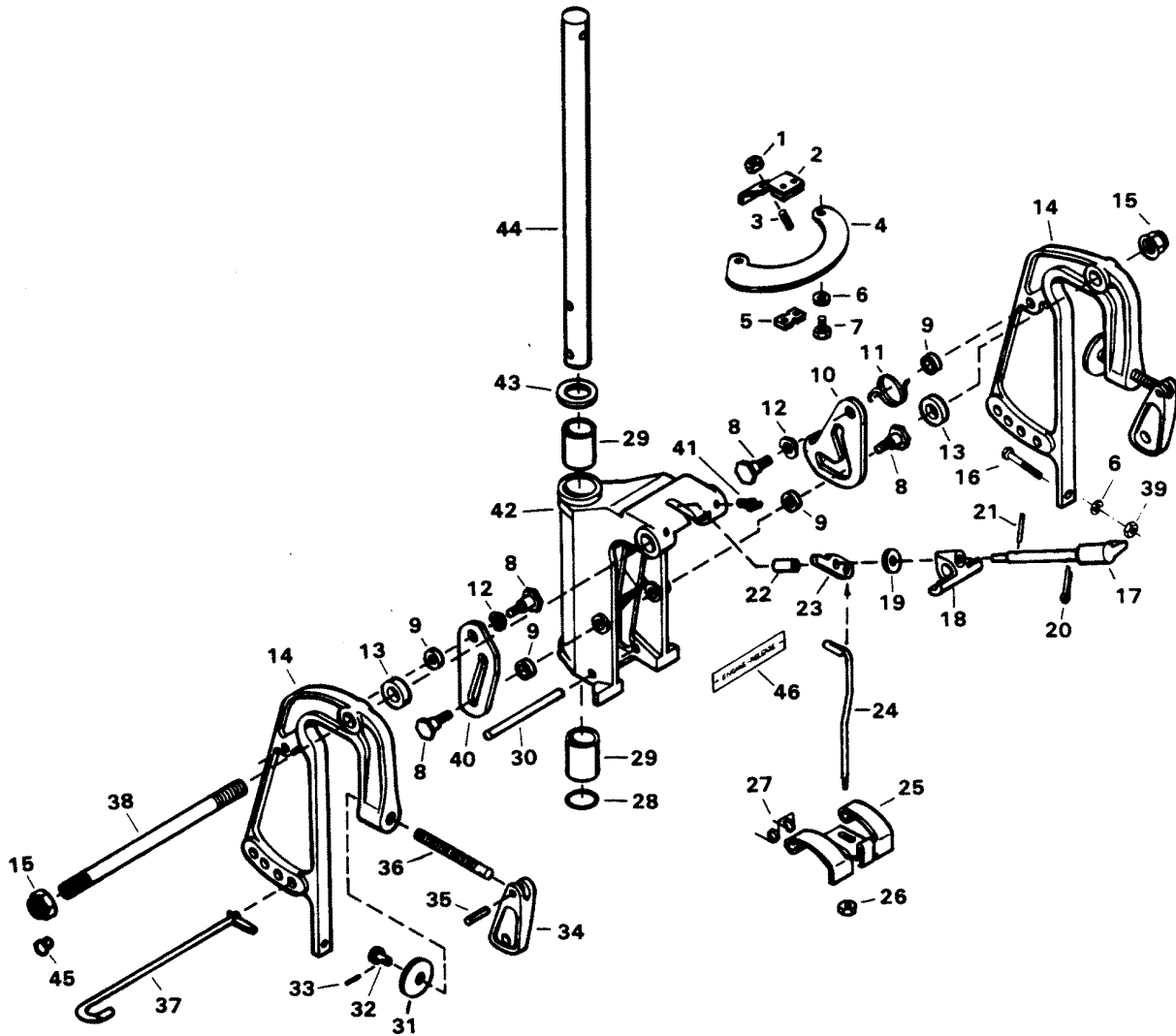


SWIVEL BRACKET GROUP

REF. NO.	PART NO.	SYM.	QTY.	DESCRIPTION
1	F7024		1	STOP NUT
2	817882A1		1	FRICION SHOE ADJUSTING ARM ASSEMBLY W/ILLUS. 5 ORIGINAL FORCE P/N A 901742-1
3	F901822-1		1	STUD, SWIVEL BRACKET
4	F901775		1	PLATE, FRICTION SHOE
5	F901631-1		1	FRICTION SHOE
6	F8083		2	SPRING LOCKWASHER
7	F1689		2	HEX CAP SCREW, 1/4 - 20 X 1/2
8	F286422-1		4	PIVOT, TILT LOCK
9	F286451		4	SPACER, TILT LOCK
10	F436541		1	TILT LOCK (PORT)
11	F286544-1		1	SPRING, TILT LOCK
12	F1666		2	BOWED SPRING LOCKWASHER
13	F529286		4	WASHER, SWIVEL BRACKET FRICTION
14	FS529532		2	STERN BRACKET W/ILLUS. 31, 32, 33 AND 36
15	F1600		2	LOCK NUT, 7/8 - 14
16	F2027		2	HEX CAP SCREW, 5/16 - 18 X 3
17	F483827		1	LEVER, REVERSE LOCK
18	F529726		1	BEARING
19	F8094		1	PLAIN WASHER
20	F1014		1	COTTER PIN
21	F1836		1	SPRING PIN
22	F483884		1	BEARING
23	F366364		1	ARM, REVERSE LOCK
24	F483510-1		1	LINK, REVERSE LOCK
25	F483349-1		1	REVERSE LOCK
26	F1669		1	NUT
27	F483300		1	SPRING
28	F458783		1	SEAL, SWIVEL BRACKET
29	F901169-1		2	BEARING, SWIVEL BRACKET
30	F2095		1	SPRING PIN
31	F24074		2	CLAMP SCREW FOOT
32	F66480		2	STUD
33	F8537		2	SPRING PIN
34	F288075		2	HANDLE, STERN BRACKET CLAMP SCREW
35	F1638		2	SPRING PIN
36	817776A3		2	STERN BRACKET CLAMP SCREW W/ILLUS. 31, 32, 33, 34 AND 35 ORIGINAL FORCE P/N A 324073-3
37	FA324113		1	STERN BRACKET LOCK BAR W/END
38	F529125-1		1	TUBE, PIVOT STEERING
39	F1515		2	HEX NUT, 5/16 - 18
40	F385433		1	TILT STOP
41	F213274		3	GREASE FITTING
42	FA529072		1	SWIVEL BRACKET W/ILLUS. 29 AND 41

CONTINUED ON NEXT PAGE ➡

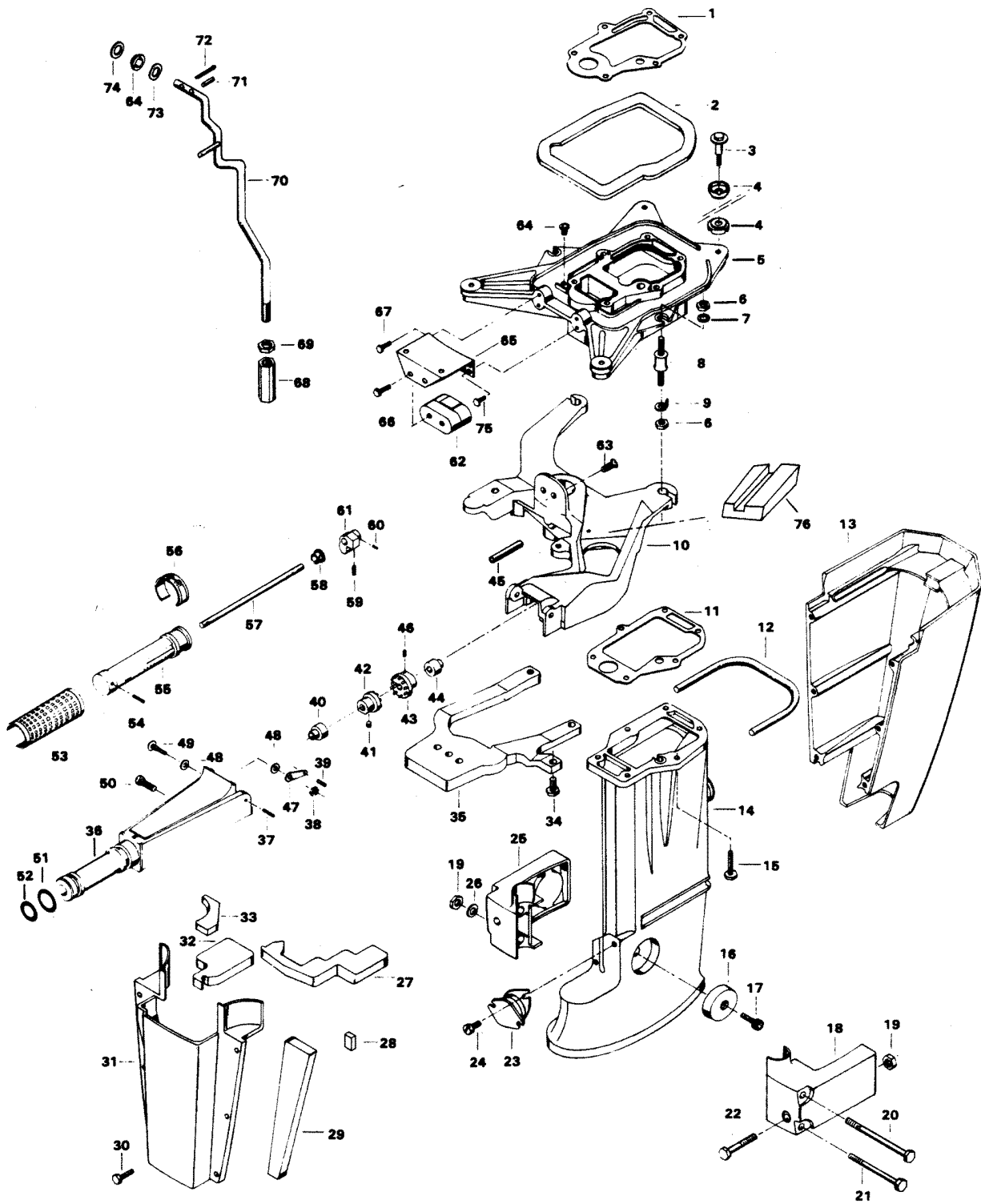
SWIVEL BRACKET GROUP



SWIVEL BRACKET GROUP

REF. NO.	PART NO.	SYM.	QTY.	DESCRIPTION
43	F901011		1	WASHER, SWIVEL BRACKET
44	F458019		1	KINGPIN
45	F9018		2	CAP, PIVOT STEERING TUBE
46	F529390-1		1	DECAL, REVERSE LOCK - USA
-	FC529390		1	DECAL, REVERSE LOCK - CANADA

MOTOR LEG

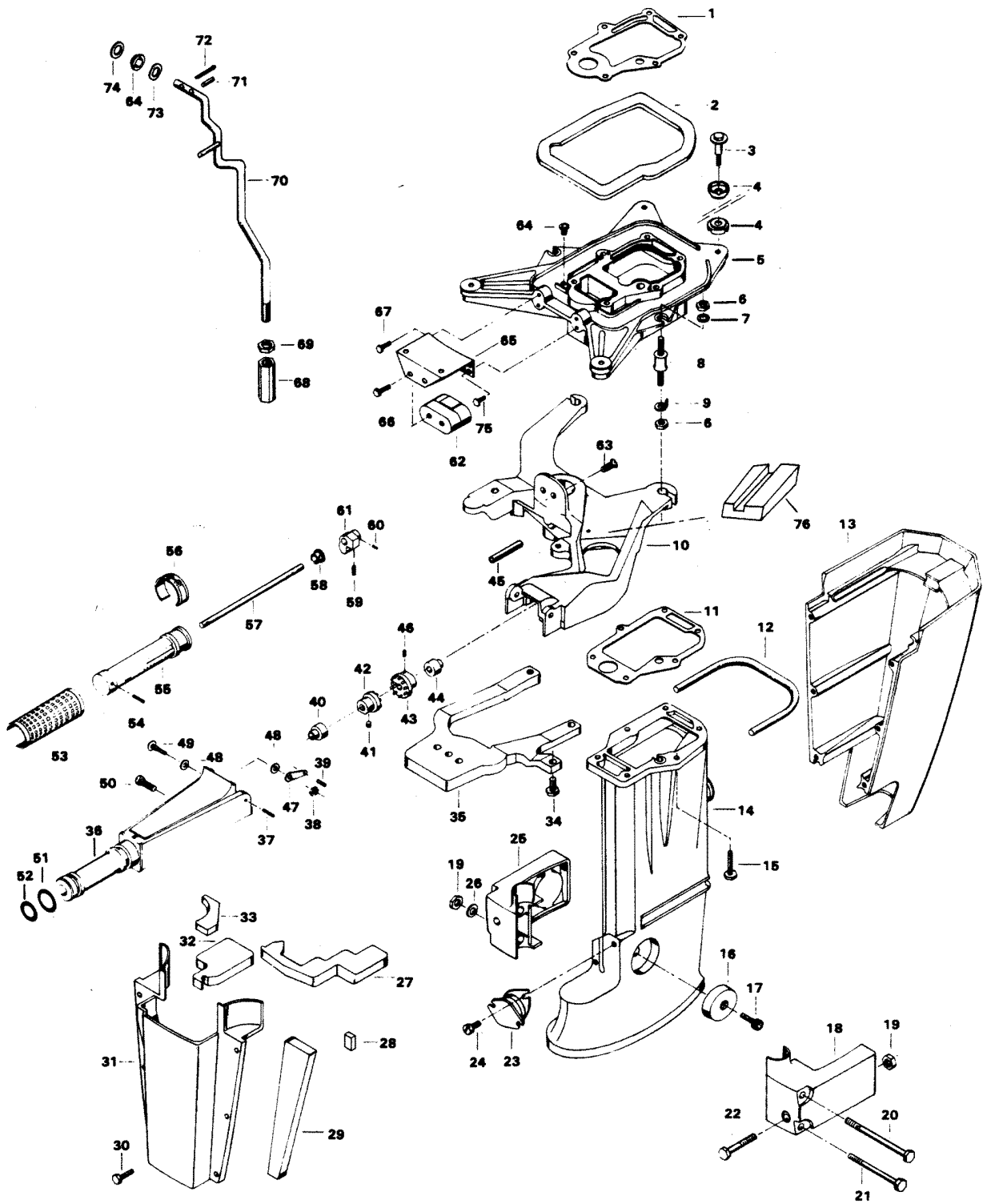


MOTOR LEG

REF. NO.	PART NO.	SYM.	QTY.	DESCRIPTION
1	F458279		1	GASKET, CYLINDER EXHAUST
2	F183756-1		1	PACKING, SUPPORT PLATE
3	F458887		4	FASTENER, SUPPORT PLATE MOUNT
4	F458347		8	MOUNT, SUPPORT PLATE
5	F458963		1	PLATE, SHOCK MOUNT
6	F1346		4	HEX NUT, 3/8 - 16
7	F1778		2	PLAIN WASHER
8	F458962		2	MOUNT, SIDE UPPER
9	F458076		2	TAB, SHOCK MOUNT SIDE
10	817809A1		1	PLATE, KINGPIN MOUNTING
11	F458453		1	GASKET, LEG EXHAUST
12	F458322		2	PACKING, LEG COVER REAR
13	818057A1		1	LEG COVER REAR W/PACKING
14	F458133		1	MOTOR LEG
15	F458166-2		6	SCREW, MOTOR LEG TO CYLINDER
16	F462962		2	SHOCK MOUNT, LOWER SIDE
17	F1263		2	HEX SOCKET HD CAP SCREW, 5/16 - 18 X 9/16
18	F458973-1		1	COVER, SHOCK MOUNT PORT
19	F1515		4	HEX NUT, 5/16 - 18
20	F2006		1	HEX CAP SCREW, 5/16 - 18 X 4 3/4
21	F2007		1	HEX CAP SCREW, 5/16 - 18 X 4
22	F1696		2	HEX CAP SCREW, 5/16 - 18 X 1 3/4
23	F183346-1		1	SHOCK MOUNT LOWER THRUST
24	F1129		2	FILL HD SCREW, 5/16 - 18 X 1/2
25	F458972-1		1	COVER, SHOCK MOUNT STARBOARD
26	F8096		2	SPRING LOCKWASHER
27	F458320		1	PACKING, LEG COVER FRONT UPPER PORT
28	F458323-1		3	PACKING, LEG COVER FRONT
29	F458312		2	PACKING, LEG COVER SIDE
30	F1705		6	HEX CAP SCREW, 1/4 - 20 X 3/4
31	818056A2		1	LEG COVER FRONT W/PACKING
32	F458324		1	PACKING, LEG COVER FRONT UPPER STARBOARD
33	F458315		2	PACKING, LEG COVER SIDE UPPER
34	F1745		3	HEX HD SCREW W/SPRING LOCKWASHER, 5/16 - 18 X 1
35	F385647		1	CARRYING HANDLE
36	F458079		1	STEERING HANDLE
37	F1664		1	SPRING PIN
38	F1812		1	HEX LOCK NUT
39	F8550		1	SPRING PIN
40	F295689		1	BEARING, STEERING HANDLE GEAR
41	F1954		1	HEX SOCKET HEADLESS SET SCREW, 5/16 - 24 X 1/4
42	FA413815		1	GEAR, STEERING HANDLE W/ILLUS. 41
43	F288691		1	GEAR, MAGNETO CONTROL SHAFT

CONTINUED ON NEXT PAGE ➡

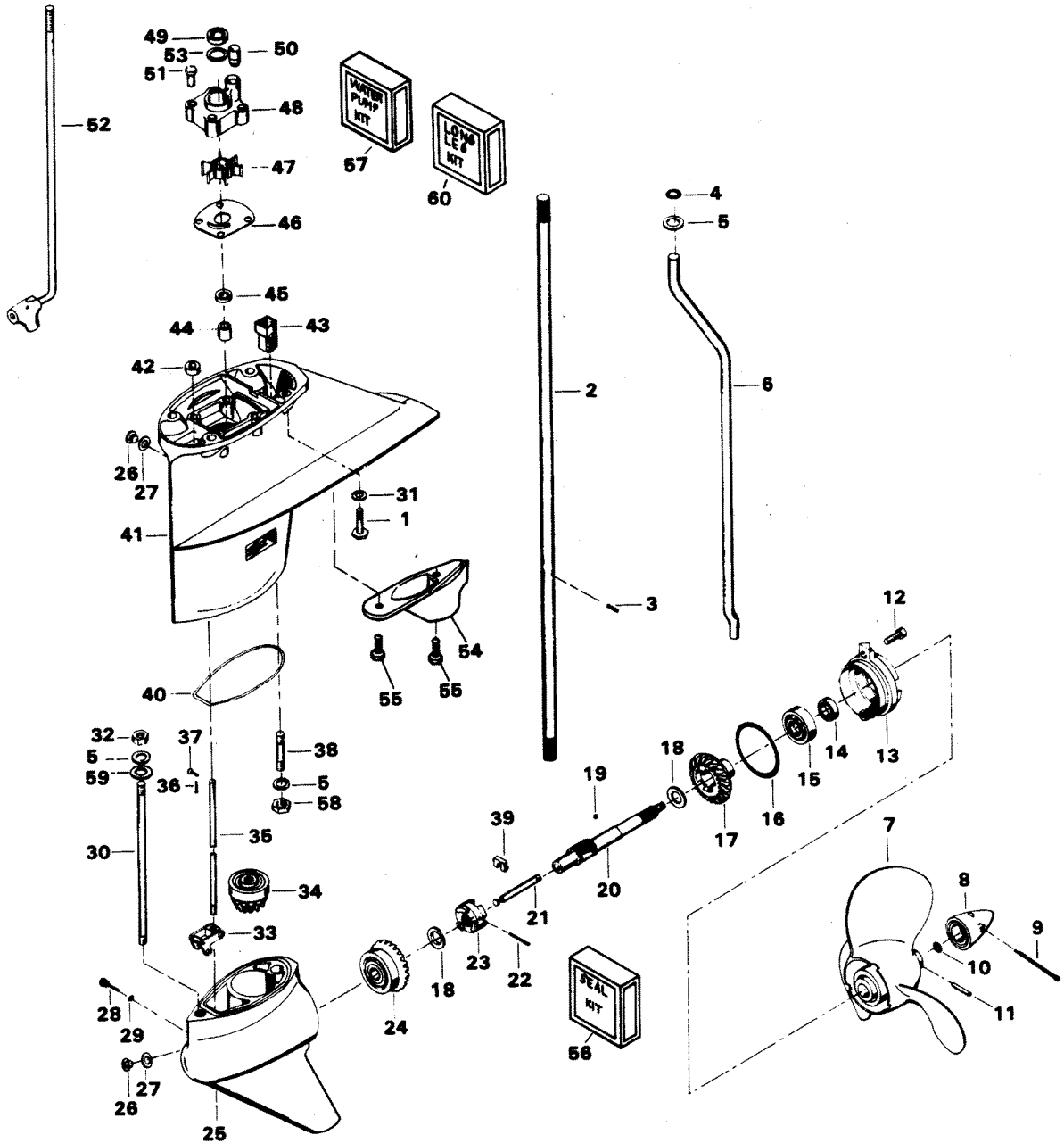
MOTOR LEG



MOTOR LEG

REF. NO.	PART NO.	SYM.	QTY.	DESCRIPTION
44	F288689		1	BEARING, MAGNETO CONTROL SHAFT
45	F1663		1	SPRING PIN
46	F1642		1	SOCKET HD CAP SCREW, 10 - 24 X 3/4
47	F295457		1	RETAINING WASHER STEERING HANDLE PIVOT
48	F295175		2	WASHER, STEERING HANDLE PIVOT BOLT
49	F295080		1	STEERING HANDLE PIVOT BOLT
50	F458519		1	SCREW, TILLER IDLE STOP
51	F53795-1		1	SEAL, STEERING HANDLE GRIP
52	F215795		1	SEAL, STEERING HANDLE GRIP
53	F458695		1	SLEEVE
54	F8548		1	SPRING PIN
55	FA456137		1	GRIP, STEERING HANDLE W/ILLUS. 53
56	F286894-3		1	INDICATOR, SPEED CONTROL
-	37-F286894-3		1	INDICATOR SPEED CONTROL - CANADA
57	F458688		1	SHAFT, STEERING HANDLE
58	F85610		1	BEARING, STEERING HANDLE SHAFT
59	F458690		1	SCREW, THROTTLE STOP
60	F1978		1	SPRING PIN
61	F458198		1	THROTTLE STOP
62	F203965		1	SHOCK MOUNT UPPER THRUST
63	F1160		2	FLAT HD SCREW, 1/4 - 28 X 5/8
64	F85610		2	BEARING
65	F40956		1	BRACKET, SHOCK MOUNT UPPER THRUST
66	F1211		2	HEX HD SCREW W/SPRING LOCKWASHER, 1/4 - 28 X 5/8
67	F1472		2	HEX SLOT HD SCREW W/LOCKWASHER, 1/4 - 20 X 3/4
68	F141704		1	COUPLING, GEAR SHIFT ROD
69	F1349		1	HEX NUT
70	F458615		1	GEAR SHIFT ROD UPPER
71	F1978		1	SPRING PIN
72	F1020		1	COTTER PIN
73	F8049		1	BOWED SPRING WASHER
74	F1739		1	PLAIN WASHER
75	F1922		2	HEX CAP SCREW, 1/4 - 20 X 5/8
76	F458345		1	PAD, KING PIN MOUNTING

GEAR HOUSING

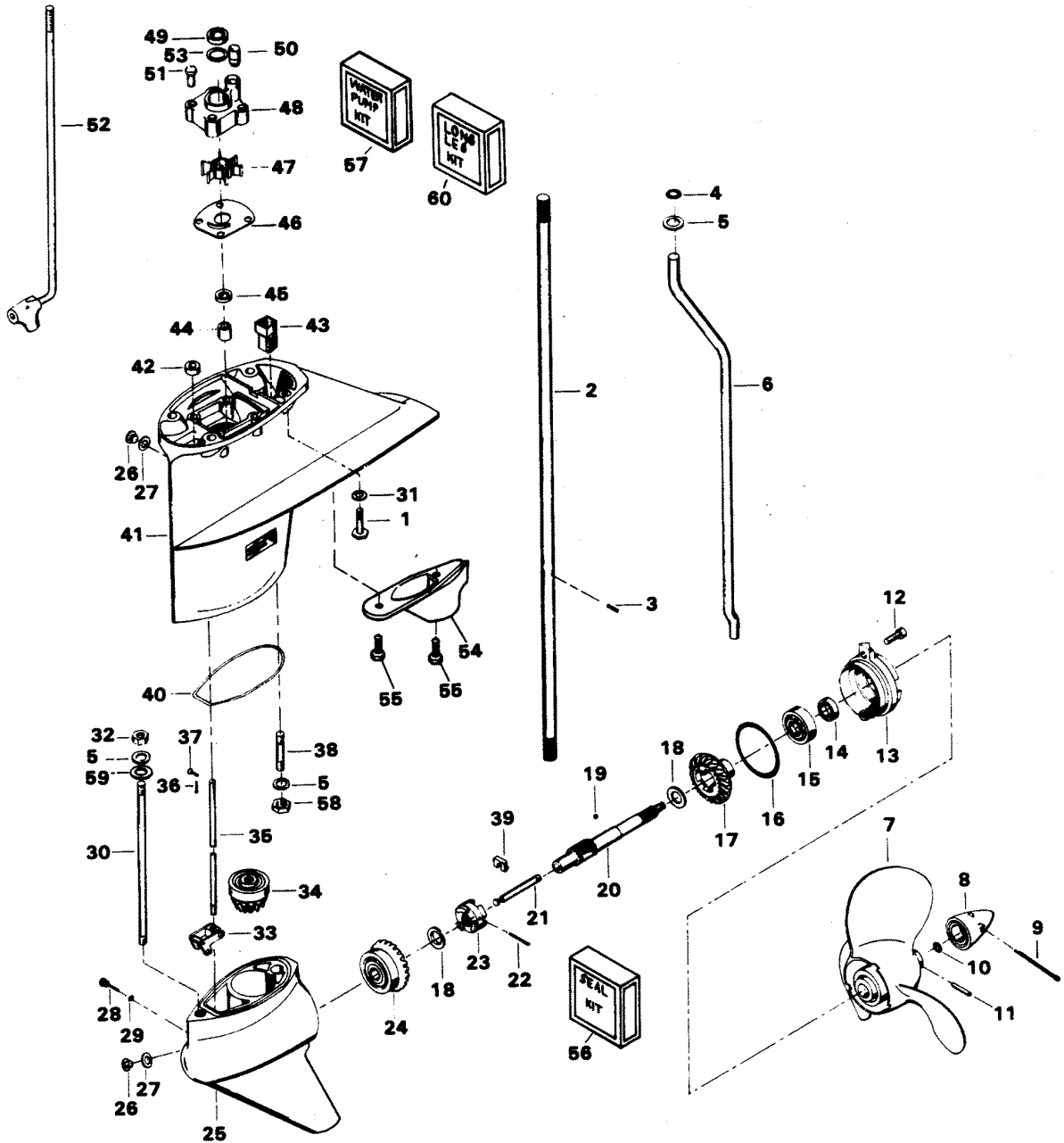


GEAR HOUSING

REF. NO.	PART NO.	SYM.	QTY.	DESCRIPTION
1	F1929		4	HEX CAP SCREW, 3/8 - 16 X 1 1/8
2	F502128		1	DRIVESHAFT
3	F901563		1	DRIVE PIN, WATER PUMP IMPELLER
4	F24342		2	SEAL, INLET WATER LINE UPPER
5	F2014		3	PLAIN WASHER
6	F458244-1		1	INLET WATER LINE FOR STANDARD SHAFT MODELS
7	FP293		1	PROPELLER (ACCESSORY ITEM)
8	FA94094-2		1	PROPELLER NUT W/ILLUSTRATIONS 9 & 10
9	F1027		1	COTTER PIN
10	F40342		1	SEAL, PROPELLER NUT
11	FK247		1	PROPELLER PIN, PACK OF 6 W/ILLUS. 9
12	F1263		2	HEX SOCKET HD CAP SCREW, 5/16 - 18 X 9/16
13	F2A366298		1	PROPELLER SHAFT BEARING CAGE W/ITEMS 14, 15 AND 16
14	F141118		1	SEAL, PROPELLER SHAFT
15	F366058		1	BALL BEARING, PROPELLER SHAFT
16	F141305		1	SEAL, PROPELLER SHAFT BEARING CAGE
17	FA485662		1	BEVEL GEAR REAR W/BUSHING
18	F40717		2	THRUST WASHER
19	F366727		1	BALL, PROPELLER SHAFT
20	44-819500A3		1	PROPELLER SHAFT ASSEMBLY
21	F90871-3		1	GEAR SHIFT ARM PIN
22	F2097		1	SPRING PIN
23	F99521-1		1	CLUTCH
24	FS458023		1	BEVEL GEAR FRONT W/BEARING
25	1600-817804A3		1	GEAR HOUSING LOWER W/ILLUS. 26, 27 AND THRUST BEARING CUP ORIGINAL FORCE P/N A 458054-1
-	1600-817896A2		1	LOWER GEAR HOUSING - COMPLETE (NOT SHOWN) INCLUDES ALL ITEMS MARKED WITH AN ASTERISK (*) ORIGINAL FORCE P/N C 458054-1
26	F50109		2	PLUG, GEAR HOUSING
27	F8077		2	WASHER, GEAR HOUSING PLUG
28	F498891		1	GEAR SHIFT ARM PIVOT PIN
29	F498618		1	SEAL, "O" RING
30	F97008-1		1	STUD, LONG
31	F8065		6	SPRING LOCKWASHER
32	F1346		1	LOCK NUT
33	817796A2		1	GEAR SHIFT ARM ASSEMBLY
34	F2A458266		1	GEAR, BEVEL PINION ASSEMBLY W/BEARING
35	F435705		1	GEAR SHIFT ROD LOWER
36	F1015		1	COTTER PIN
37	F85372		1	PIN, GEAR SHIFT ROD LOWER
38	F40008		1	STUD, SHORT
39	F90619-1		1	YOKE, SHIFT ARM
40	F435555		1	SEAL, GEAR HOUSING

CONTINUED ON NEXT PAGE ➡

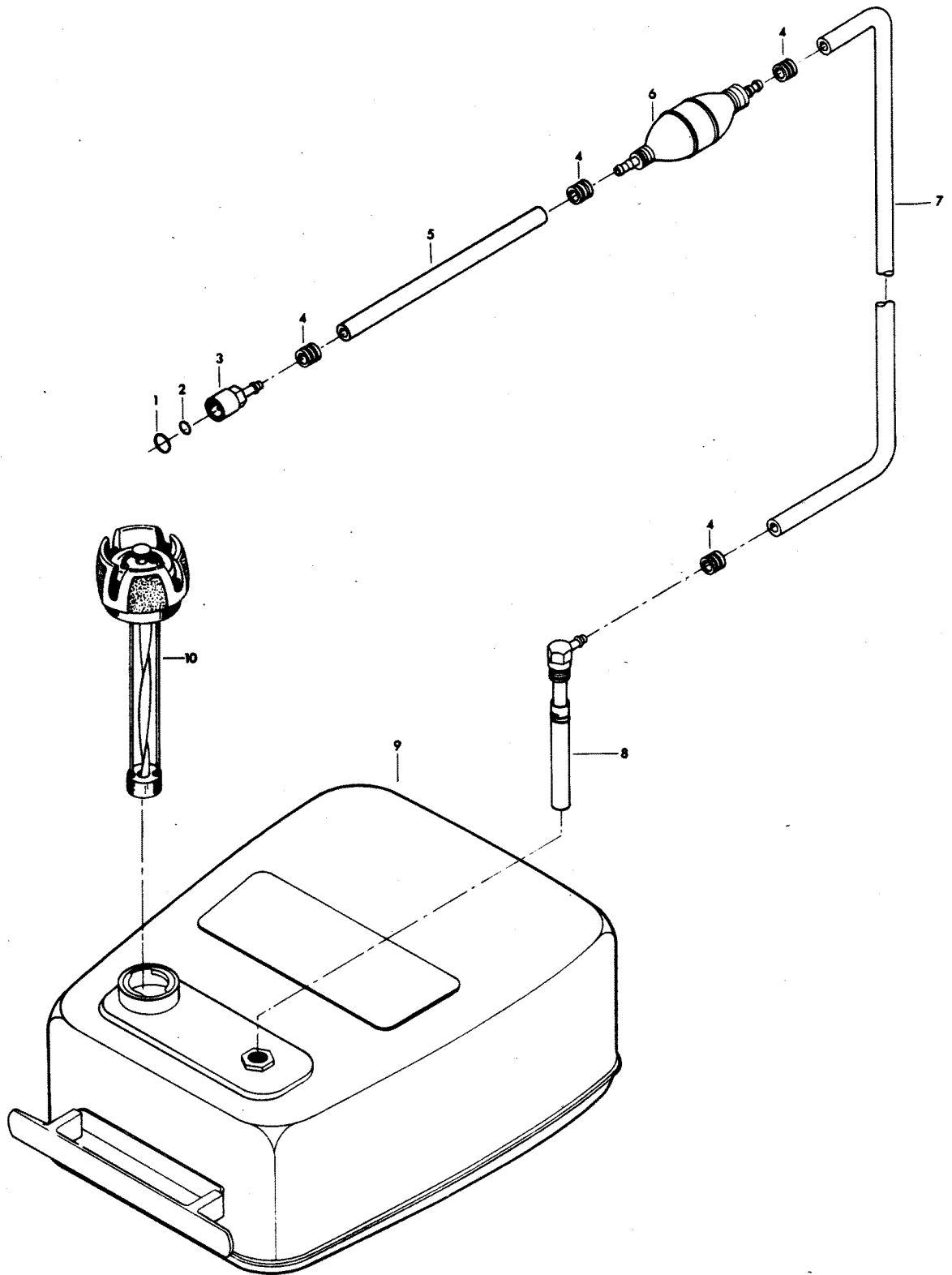
GEAR HOUSING



GEAR HOUSING

REF. NO.	PART NO.	SYM.	QTY.	DESCRIPTION
41	FA502554		1	GEAR HOUSING UPPER W/ITEMS 26, 27, 42, 43, 44, 45, 38, 54 AND 55
42	F338618-1		1	SEAL, SHIFT ROD LOWER
43	F435077		1	SCREEN, WATER INLET
44	F458057		1	BEARING, DRIVESHAFT UPPER
45	F458307		1	SEAL, DRIVESHAFT
46	F435562		1	WATER PUMP BACK PLATE
47	F458065-1		1	WATER PUMP IMPELLER
48	FA513060		1	WATER PUMP BODY W/ITEM 49, 50 AND 53
49	F458736		1	SEAL, WATER PUMP
50	FA510914		1	SEAL, INLET WATER LINE LOWER W/LITERATURE
51	F2030		4	HEX HD CAP SCREW, 1/4 - 20 X 1 1/4
52	FA434616		1	GEAR SHIFT ROD INTERMEDIATE
53	F513388		1	DISC, WATER PUMP LOCATING
54	FA435116		1	EXHAUST SNOUT W/LITERATURE
55	F2008		2	HEX HD M. SCREW, 1/4 - 20 X 7/8
56	FK1068		1	GEAR HOUSING SEAL KIT. INCLUDES ALL ITEMS MARKED WITH A DOUBLE ASTERISK (**)
57	FK1053		1	WATER PUMP KIT W/ILLUSTRATIONS 3, 46, 47, 48 AND 51
58	F7004		1	LOCK NUT
59	F24342		1	SEAL
60	FK1119		1	LONG LEG EXT. KIT W/PARTS LISTED BELOW.
-	F1929		4	HEX CAP SCREW, 3/8 - 16 X 1-1/8
-	F8065		4	SPRING LOCKWASHER
-	F1015		1	COTTER PIN
-	F458845		1	EXTENSION, MOTOR LEG
-	F502128		1	DRIVESHAFT
-	FA435616		1	GEARSHIFT ROD INTERMEDIATE
-	FS901244		1	EXTENSION, WATER LINE

FUEL TANK AND LINE



FUEL TANK AND LINE

REF. NO.	PART NO.	SYM.	QTY.	DESCRIPTION
1	F213342		1	SEAL, FUEL LINE COUPLER
2	F213735		1	SEAL, FUEL LINE COUPLER
3	F197787-3		1	FUEL LINE COUPLER
4	F298788		4	FERRULE
5	FA84754-1		1	FUEL LINE SHORT W/ILLUS. 4
6	89396A38		1	PRIME BULB
7	32-817738A1		1	FUEL LINE, LONG W/CLAMPS AND ILLUS. 4 ORIGINAL FORCE P/N A 197752-1
8	F487755		1	FUEL TANK ADAPTER
9	F5H027		1	FUEL TANK (ACCESSORY ITEM)
10	F409251-1		1	GAUGE CAP
-	FS409752		1	FUEL LINE COMPLETE - (NOT SHOWN) INCLUDES ITEMS MARKED WITH AN ASTERISK (*)
-	FC409398		1	DECAL, TOTE TANK - CANADA (NOT SHOWN)

SPECIAL TOOLS - TUNE-UP

REF. NO.	PART NO.	SYM.	QTY.	DESCRIPTION
-	FT2910		0	KNOCK-OFF NUT TO REMOVE FLYWHEEL.
-	FT2989		0	FLYWHEEL WEDGE TO REMOVE FLYWHEEL.
-	FT8930-1		0	FEELER GAUGE TO SET BREAKER POINTS (HAND START MODELS).

SPECIAL TOOLS - POWER HEAD

REF. NO.	PART NO.	SYM.	QTY.	DESCRIPTION
-	FT2998		0	TORQUE WRENCH (0 - 100 LBS./FT.) TO PROPERLY SECURE FASTENERS.
-	FT2999		0	TORQUE WRENCH (0 - 600 LBS./IN.) TO PROPERLY SECURE FASTENERS.
-	FT2991		0	CARBON BRUSH TO REMOVE CARBON FROM INSIDE POWER HEAD.
-	FT8900		0	HOSE CLAMP PLIERS TO REMOVE AND INSTALL FUEL HOSE CLAMPS.
-	FT1749		0	SNAP RING PLIERS TO REMOVE AND INSTALL PISTON RETAINING RINGS.
-	FT8971		0	SEAL INSTALLER TO INSTALL UPPER CRANKSHAFT BEARING CAGE SEAL.
-	FT8967		0	SEAL PROTECTOR TO PROTECT UPPER CRANKSHAFT BEARING CAGE SEAL DURING INSTALLATION.
-	FT2953		0	SOCKET TO TORQUE CONNECTING ROD SCREWS.
-	FT2990		0	PISTON PIN REMOVER TO REMOVE AND INSTALL PISTON PIN IN PISTON.
-	FT8926		0	RING EXPANDER TO INSTALL RINGS ON PISTONS.
-	FT2996		0	RING COMPRESSOR TO INSTALL PISTONS IN CYLINDERS.
-	FT8977		0	SEAL COLLAR INSTALLER TO INSTALL CRANKSHAFT LOWER SEAL COLLAR.
-	FT8976		0	SEAL PROTECTOR TO PROTECT LOWER SEAL DURING INSTALLATION.
-	FT8932		0	LIFTING HOOK TO LIFT ENGINE.

SPECIAL TOOLS - LOWER UNIT

REF. NO.	PART NO.	SYM.	QTY.	DESCRIPTION
-	FT3431		0	SEAL INSTALLER TO INSTALL PROP SHAFT SEAL.
-	FT8948-1		0	PROPELLER SHAFT BEARING CAGE PULLER TO REMOVE PROPELLER SHAFT BEARING CAGE FROM LOWER GEAR HOUSING.
-	FT8972		0	SEAL INSTALLER TO INSTALL DRIVESHAFT - WATER PUMP SEAL.
-	FT8919		0	SPRING PIN PUNCH TO REMOVE CLUTCH SPRING PIN.
-	FT8921		0	CUP REMOVER TO REMOVE FORWARD BEARING CUP.
-	FT8918		0	BEARING GUIDE SET TO REMOVE FORWARD BEARING CUP.
-	FT8957		0	SEAL INSTALLER TO INSTALL SHIFT ROD SEAL.
-	FT8963		0	BEARING INSTALLER TO INSTALL DRIVESHAFT BEARING.
-	FT8907		0	DRIVER HANDLE TO INSTALL FORWARD BEARING CUP.
-	FT8904		0	CUP INSTALLER TO INSTALL FORWARD BEARING CUP.
-	FT8964		0	BEARING REMOVER TO REMOVE DRIVESHAFT BEARING.

SPECIAL TOOLS - TEST EQUIPMENT

REF. NO.	PART NO.	SYM.	QTY.	DESCRIPTION
-	FT8996		0	IGNITION TESTER TO TEST IGNITION SYSTEM - C-D IGNITION MODELS.
-	FT8953		0	C-D TESTER TO TEST IGNITION SYSTEM - C-D IGNITION MODELS.
-	FT2938-1		0	BATTERY POWERED HEAD TEST LIGHT TO MAKE CONTINUITY TESTS.
-	FT2951		0	CIRCUIT TRACER TO TEST 12 VOLT CIRCUITS.
-	FT11201		0	HARNESS ADAPTER CONNECTING C-D IGNITION SYSTEM TO IGNITION TESTER.
-	FT8968A		0	TEST WHEEL TO TEST MOTOR IN TEST TANK.
-	FT8950		0	LEAKAGE TESTER TO TEST LOWER UNIT FOR LEAKAGE.

SPECIAL TOOLS - LUBRICANTS AND SEALANTS

REF. NO.	PART NO.	SYM.	QTY.	DESCRIPTION
-	FT2961		0	LUBRICANT - RYKON GREASE #2EP
-	FT2987-1		0	LUBRICANT - ANTI-SEIZE
-	FT8969		0	LUBRICANT - 7 OZ. L PSI LUBRICANT
-	FT8983		0	SEALANT - RTV
-	FT8936-1		0	SEALANT - 2 CC LOCTITE RETAINING COMPOUND #75
-	FT2962-1		0	SEALANT - 50 CC LOCTITE H, NON-HARDENING GRADE
-	FT2963-2		0	SEALANT - 2 OZ. LOCTITE D, HARDENING GRADE
-	FT8935		0	SEALANT PRIMER - 6 OZ.

ACCESSORIES

REF. NO.	PART NO.	SYM.	QTY.	DESCRIPTION
-	F5H081		0	BATTERY CABLE LONGER LENGTH - 15 FEET.
-	F5H019		0	ANTI-CORROSION KIT ELECTRICAL UNIT USED TO HELP PREVENT CORROSION.
-	F5H025		0	ANTI-CORROSION SACRIFICIAL ANODE USED TO HELP PREVENT CORROSION.
-	F5H021		0	BATTERY EXTENSION CABLE USED TO EXTEND BATTERY CABLE 6-1/2 FEET.
-	F5H020		0	CARRYING HANDLE PERMITS EASIER TRANSPORTATION OF ENGINE TO AND FROM BOAT (2 MAN).
-	F5H041		0	BATTERY TERMINAL KIT FOR POSITIVE AND NEGATIVE BATTERY POSTS.
-	F861		0	FLUSHING ADAPTER PERMITS FRESH WATER FLUSHING OF WATER PASSAGES WITH STANDARD GARDEN HOSE.
-	5H158		0	FUEL GAUGE FLUSH MOUNT MONITORS FUEL SUPPLY. ELECTRIC START MODELS.
-	F5H028		0	SENDING UNIT FOR USE WITH ABOVE FUEL GAUGES.
-	F5H055		0	WATER PUMP HEAVY DUTY WATER PUMP RECOMMENDED FOR CONTINUED OPERATION IN SANDY OR SALT WATER.
-	F5H134		0	BOAT WHITE LACQUER ENGINE TOUCH-UP PAINT IN 12-3/4 OZ. SPRAY BOMBS (6 CANS PER CASE).
-	F476		0	FUEL LINE ADAPTION KIT ADAPTS MODEL 5H027 FUEL TANK FOR DISCONNECT AT TANK.
-	F5H027		0	STEEL, 6 GALLON FUEL TANK AUXILIARY TANK.
-	F5H040		0	STEEL, 12 GALLON FUEL TANK AUXILIARY TANK.
-	F5H029		0	FUEL TANK ANCHOR SECURES 5H027 TO DECK.
-	5H065		0	CANVAS HOOD PROTECTION FOR ENGINE COVER.
-	F5H154		0	SPEEDOMETER FLUSH MOUNT 10 TO 50 M.P.H.
-	F5H155		0	SPEEDOMETER FLUSH MOUNT 20 TO 100 KM/H.
-	F5H072		0	OVERHEAT BUZZER KIT FOR ELECTRIC START MODELS. WARNS OF ENGINE OVERHEATING.
-	167		0	IGNITION CUT-OFF KIT PERMITS STOPPING OF ENGINE FROM OPERATOR S SEAT.
-	F5H077		0	IGNITION KEY SWITCH FOR ELECTRIC START MODELS SHORT BARREL.
-	F5H078		0	IGNITION KEY SWITCH FOR ELECTRIC START MODELS LONG BARREL.
-	ÄF195//		0	REMOTE CONTROL CABLES CONNECTS REMOTE CONTROL BOX TO THROTTLE AND GEAR SHIFT ON MOTOR. AVAILABLE IN 6 THROUGH 40 FOOT LENGTHS.
-	F5H130		0	REMOTE CONTROL SURFACE MOUNT PERMITS REMOTE CONTROL OF THROTTLE AND GEAR SHIFT FROM STARBOARD SIDE OF BOAT.
-	F5H131		0	PORT SIDE DECAL KIT CONVERTS 5H130 CONTROL BOX TO PORT SIDE MOUNTING.
-	F866		0	REMOTE CONTROL (TWIN LEVER) TWIN LEVER SURFACE MOUNT SEPARATE THROTTLE AND GEAR SHIFT.

CONTINUED ON NEXT PAGE ➡

ACCESSORIES

REF. NO.	PART NO.	SYM.	QTY.	DESCRIPTION
-	865		0	REMOTE CONTROL SURFACE MOUNT (SINGLE LEVER) PERMITS REMOTE CONTROL OF THROTTLE AND GEAR SHIFT ON TWIN ENGINE INSTALLATIONS. MAY BE MOUNTED ON PORT OR STARBOARD SIDE OF BOAT.
-	F137		0	REMOTE STEERING BRACKET ADAPTS MOTOR TO CABLE TYPE REMOTE STEERING
-	F165		0	REMOTE STEERING BRACKET ADAPTS MOTOR TO CABLE TYPE REMOTE STEERING.
-	F5H086		0	STARTER CONVERSION CONVERTS HAND START MODELS TO ELECTRIC START.
-	F5H157		0	VOLTMETER FLUSH MOUNT, INDICATES BATTERY CONDITION. ELECTRIC MODELS.
-	F5H159		0	HOURMETER FLUSH MOUNT, RECORDS ENGINE RUNNING TIME.
-	F596		0	CHRYSLER OUTBOARD OIL CHRYSLER OUTBOARD OIL IS COMPOUNDED FROM SELECTED HIGH QUALITY HEAT RESISTANT BASE OIL AND A NON-METALLIC ADDITIVE TO LUBRICATE AND MAINTAIN CLEANLINESS OF CHRYSLER OUTBOARD MOTORS.
-	F75H22		0	IGNITION CUT-OFF SWITCH PROVIDES MOUNTING FOR ENGINE PUSH BUTTON STOP SWITCH REMOTE POSITION.
-	FK1119		0	LEG EXTENSION KIT CONVERTS 15" MOTOR LEG LENGTH TO 20" LENGTH.
-	F5H087		0	MANUAL TILLER KIT CONVERTS REMOTE CONTROL MODEL TO M.T. MODEL.
-	F597		0	CHRYSLER OUTBOARD GEAR LUBE CHRYSLER OUTBOARD GEAR LUBE IS AN EXTREME PRESSURE LUBRICANT FORMULATED TO HANDLE THE HIGH GEAR LOADS PRESENT IN AN OUTBOARD LOWER UNIT. CHRYSLER OUTBOARD GEAR LUBE ALLOWS THE LOWER UNIT TO WORK MORE EFFICIENTLY.
-	F5H059		0	CHRYSLER OUTBOARD MULTI-PURPOSE GREASE LUBRICATES BEARINGS AND OTHER MOVING PARTS. AVAILABLE IN 8 OZ. TUBES AND 12 TUBE CASES.
-	F5H060		0	CHRYSLER OUTBOARD GREASE GUN USED WITH CHRYSLER OUTBOARD MULTI-PURPOSE GREASE TUBES FOR PRESSURE FITTINGS.
-	F5H102		0	STEERING LINK KIT TO BE USED W/PIVOT TUBE STEERING (STARBOARD ENTRY).
-	F5H106		0	STEERING LINK KIT TO BE USED W/PIVOT TUBE STEERING (PORT ENTRY).
-	F5H076		0	SWITCH EXTENSION CABLE - 5 FOR REMOTE PLACEMENT OF IGNITION SWITCH.
-	F5H030		0	SWITCH KIT - RUNNING LIGHTS DASH MOUNT TOGGLE FOR ANCHOR AND RUNNING LIGHTS.
-	F5H031		0	SWITCH KIT - SPOT LIGHT DASH MOUNT TOGGLE FOR SPOT OR SEARCH LIGHTS.
-	F5H032		0	SWITCH KIT - WIPER DASH MOUNT TOGGLE FOR ELECTRIC WIPER.
-	F5H034		0	SWITCH KIT - BILGE PUMP DASH MOUNT TOGGLE FOR ELECTRIC BILGE PUMP.

CONTINUED ON NEXT PAGE ➡

ACCESSORIES

REF. NO.	PART NO.	SYM.	QTY.	DESCRIPTION
-	F5H035		0	SWITCH KIT - HORN DASH MOUNT TOGGLE FOR HORN - MOMENTARY ON.
-	F5H036		0	SWITCH KIT - TACHOMETER TRANSFER DASH MOUNT TOGGLE FOR ONE TACHOMETER ON DUAL ENGINE INSTALLATION.
-	5H139		0	SWITCH KIT - LIVEWELL DASH MOUNT TOGGLE FOR LIVEWELL PUMP.
-	F5H037		0	SWITCH KIT - LIGHTER DASH MOUNT LIGHTER, COMPLETE.
-	F5H038		0	SWITCH KIT - IGNITION DASH MOUNT PLATE FOR 5H077 AND 5H078 KEY SWITCH (NOT INCLUDED).
-	F5H039		0	SWITCH KIT - INSTRUMENTS DASH MOUNT TOGGLE FOR INSTRUMENT LIGHTS.
-	F5H167		0	TACHOMETER FOR ELECTRIC MODELS ONLY.
-	F563		0	TERMINAL BLOCK KIT DOUBLE ROW - 10 POSITION - SIMPLIFIES WIRING.
-	F5H075		0	SWITCH EXTENSION CABLE - 24" FOR REMOTE PLACEMENT OF IGNITION SWITCH.
-	F5H120		0	REMOTE CONTROL BACK PLATE PROTECTS CONTROL MECHANISM FROM DAMAGING PADDED MOUNTING SURFACES IN BOAT.
-	F590		0	REMOTE CONTROL SINGLE LEVER - FLUSH MOUNT - STARBOARD OR PORT.
-	F762		0	REMOTE ELECTRIC CABLE 25 FT. LENGTH.
-	F5H070		0	REMOTE ELECTRIC CABLE 21 FT. LENGTH.
-	5H082		0	REMOTE ELECTRIC CABLE 35 FT. LENGTH.
-	F166		0	STEERING CONNECTOR

PARTS INDEX

Part Number	Description	Pg.	Ref. No.	Part Number	Description	Pg.	Ref. No.
ÄF195//	REMOTE CONTROL CABLES	41	-	F12146	COIL WEDGE SPRING	9	11
167	IGNITION CUT-OFF KIT	41	-	F12153-1	BREAKER POINT SET	9	15
2C602712	ENGINE COVER - COMPLETE.	3	-	F12170	CONDENSER MOUNTING SCREW	9	2
5H065	CANVAS HOOD	41	-	F12170	CONTACT SCREW W/LOCKWASHER	9	17
5H082	REMOTE ELECTRIC CABLE	43	-	F12181-1	CONDENSER	9	3
5H139	SWITCH KIT - LIVEWELL	43	-	F12186-1	GROUND LEAD	9	4
5H158	FUEL GAUGE FLUSH MOUNT	41	-	F12346	STATOR PLATE W/LAMINATIONS	9	9
817747--1	JOINT BALL ASSEMBLY	21	59	F1236	HEX CAP SCREW, 1/4 - 20 X 1/2	3	23
817776A3	STERN BRACKET CLAMP SCREW	23	36	F12360	CAM WIPER FELT	9	16
817796A2	GEAR SHIFT ARM ASSEMBLY	31	33	F1263	HEX SOCKET HD CAP SCREW, 5/16 - 18 X 9/16	27	17
817805A1	ROD, SHIFT INTERLOCK	19	18	F1263	HEX SOCKET HD CAP SCREW, 5/16 - 18 X 9/16	31	12
817808A2	LEVER, GEAR SHIFT	19	28	F1341	HEX NUT	21	51
817809A1	PLATE, KINGPIN MOUNTING	27	10	F1346	HEX NUT, 3/8 - 16	27	6
817842A1	TILT HANDLE	3	5	F1346	LOCK NUT	31	32
817882A1	FRICITION SHOE ADJUSTING ARM ASSEMBLY	23	2	F1349	HEX NUT	29	69
817955A1	HOUSING, HAND STARTER	7	2	F137	REMOTE STEERING BRACKET	42	-
818056A2	LEG COVER FRONT W/PACKING	27	31	F141118	SEAL, PROPELLER SHAFT	31	14
818057A1	LEG COVER REAR W/PACKING	27	13	F141305	SEAL, PROPELLER SHAFT BEARING CAGE	31	16
865	REMOTE CONTROL SURFACE MOUNT (SINGLE LEVER)	42	-	F141704	COUPLING, GEAR SHIFT ROD	29	68
89396A38	PRIME BULB	35	6	F1472	HEX SLOT HD SCREW W/LOCKWASHER, 1/4 - 20 X 3/4	29	67
C235227	SPARK PLUG, CANADA (RL82)	21	-	F1473	HEX NUT, 10 - 24	5	57
F10027	REPAIR PARTS KIT	11	33	F1475	FILL HD SCREW, 10 - 24 X 1/2	3	11
F1014	COTTER PIN	23	20	F1513	HEX NUT	9	7
F1015	COTTER PIN	31	36	F1513	HEX NUT, 10 - 32	19	31
F1015	COTTER PIN	33	-	F1515	HEX JAM NUT, 5/16 - 18	5	50
F1020	COTTER PIN	29	72	F1515	HEX NUT, 5/16 - 18	13	2
F1027	COTTER PIN	31	9	F1515	HEX NUT, 5/16 - 18	23	39
F1072	FILL HD SCREW, 1/4 - 20 X 3/4	21	52	F1515	HEX NUT, 5/16 - 18	27	19
F1075	FILL HD M. SCREW, 10 - 24 X 1/2	19	20	F1532	HEX HD SCREW, 1/4 - 20 X 1	21	50
F1087	FILL HD SCREW, 10 - 24 X 7/8	3	33	F154317	CLAMP, REMOTE CABLE	3	25
F1092	FILL HD SCREW, 10 - 32 X 5/8	9	10	F1600	LOCK NUT, 7/8 - 14	23	15
F1107	FILL HD SCREW, 1/4 - 20 X 3/4	19	1	F1632	PLASTI-PLUG	3	19
F1108	FILL HD MACHINE SCREW W/LOCKWASHER, 1/4 - 20 X 34	17	7	F1638	SPRING PIN	7	22
F1129	FILL HD SCREW, 5/16 - 18 X 1/2	27	24	F1638	SPRING PIN	23	35
F1141	FLAT HD SCREW, 10 - 24 X 1/2	13	6	F1642	SOCKET HD CAP SCREW, 10 - 24 X 3/4	29	46
F1160	FLAT HD SCREW, 1/4 - 28 X 5/8	29	63	F165	REMOTE STEERING BRACKET	42	-
F12088	GROMMET, LEAD WIRE	9	13	F166	STEERING CONNECTOR	43	-
F1211	HEX HD SCREW W/SPRING LOCKWASHER, 1/4 - 28 X 5/8	29	66	F1663	SPRING PIN	29	45
				F1664	SPRING PIN	27	37
				F1666	BOWED SPRING LOCKWASHER	23	12
				F1669	NUT	23	26
				F1689	HEX CAP SCREW, 1/4 - 20 X 1/2	23	7
				F1696	HEX CAP SCREW, 5/16 - 18 X 1 3/4	27	22

PARTS INDEX

Part Number	Description	Pg.	Ref. No.	Part Number	Description	Pg.	Ref. No.
F1705	HEX CAP SCREW, 1/4 - 20 X 3/4	27	30	F1929	HEX CAP SCREW, 3/8 - 16 X 1-1/8	33	-
F1705	HEX WASHER HD SCREW, 1/4 - 20 X 3/4	7	1	F1954	HEX SOCKET HEADLESS SET SCREW, 5/16 - 24 X 1/4	27	41
F1727	PLASTI-RIVET	19	6	F197787-3	FUEL LINE COUPLER	35	3
F1739	PLAIN WASHER	21	66	F1978	SPRING PIN	29	60
F1739	PLAIN WASHER	29	74	F1978	SPRING PIN	29	71
F1745	HEX HD SCREW W/SPRING LOCKWASHER, 5/16 - 18 X 1	27	34	F1997	LOCK NUT	11	3
F1753	FASTENER	3	8	F2004	FILL HD SCREW, 8 - 32 X 3/8	7	15
F1755	ROUND HD SCREW W/LOCKWASHER, 6 - 32 X 5/16	13	12	F2005	HEX SOCKET HD CAP SCREW, 5/16 - 18 X 2 3/4	19	11
F1760	PAN HD SCREW, 10 - 24 X 3/8	3	20	F2006	HEX CAP SCREW, 5/16 - 18 X 4 3/4	27	20
F1760	PAN HD SCREW, 10 - 24 X 3/8	5	53	F2007	HEX CAP SCREW, 5/16 - 18 X 4	27	21
F177330	FUEL PUMP VALVE	17	4	F2008	HEX HD M. SCREW, 1/4 - 20 X 7/8	33	55
F1778	PLAIN WASHER	27	7	F2008	HEX HD SCREW, 1/4 - 20 X 7/8	13	1
F1803	STOP NUT	21	58	F2010	FILL HD SCREW W/SPRING LOCKWASHER, 10 - 32 X 9/16	9	18
F1812	HEX LOCK NUT	27	38	F2012	PLAIN WASHER	7	25
F183300	SPRING, LATCH SHAFT	5	48	F2013	HEX SOCKET HD CAP SCREW, 5/16 - 18 X 1 1/4	19	12
F183300	SPRING, MAGNETO CONTROL SHAFT	3	31	F2014	PLAIN WASHER	31	5
F183300	SPRING, SHIFT DETENT	19	33	F2021	FLYWHEEL NUT	7	14
F183346-1	SHOCK MOUNT LOWER THRUST	27	23	F2021	FLYWHEEL NUT 5/8 - 18	9	20
F183504	GROMMET, MAGNETO CONTROL SHAFT	3	28	F2025	PAN HD SCREW, 10 X 5/8	3	4
F1836	SPRING PIN	5	40	F2026	PLASTIC RIVET	5	55
F1836	SPRING PIN	23	21	F2027	HEX CAP SCREW, 5/16 - 18 X 3	23	16
F183756-1	PACKING, SUPPORT PLATE	27	2	F2030	HEX HD CAP SCREW, 1/4 - 20 X 1 1/4	33	51
F183813	BEARING	21	55	F203965	SHOCK MOUNT UPPER THRUST	29	62
F183818	BEARING, CHOKE ROD	3	21	F2040	HEX HD MACHINE SCREW, 1/4 - 20 X 5/8	7	19
F1854	HEX CAP SCREW, 1/4 - 20 X 5/8	21	43	F2042	WASHER	7	12
F185764	RETAINING RING	5	49	F2066	PAN HD SCREW, 10 X 7/16	3	2
F1859	HEX SOCKET HEADLESS SET SCREW, 1/4 - 28 X 3/16	3	30	F2095	SPRING PIN	23	30
F1859	HEX SOCKET HEADLESS SET SCREW, 1/4 - 28 X 3/16	5	44	F2097	SPRING PIN	31	22
F1860	BINDING HD MACHINE SCREW, 6 - 32 X 1/4	17	3	F2107	SLOTTED FILL HD SCREW W/SPRING LOCKWASHER, 10 - 24 X 5/8	3	26
F1864	HEX HD SCREW, 1/4 - 20 X 3/4	19	10	F213274	GREASE FITTING	23	41
F1910	LOCK NUT	21	62	F213342	SEAL, FUEL LINE COUPLER	35	1
F1922	HEX CAP SCREW, 1/4 - 20 X 5/8	19	25	F213735	SEAL, FUEL LINE COUPLER	35	2
F1922	HEX CAP SCREW, 1/4 - 20 X 5/8	29	75	F215795	SEAL, STEERING HANDLE GRIP	29	52
F1922	HEX HD SCREW, 1/4 - 20 X 5/8	3	15	F24074	CLAMP SCREW FOOT	23	31
F1922	HEX HD SCREW, 1/4 - 20 X 5/8	19	34	F24342	SEAL, INLET WATER LINE UPPER	31	4
F1927	PAN HD SCREW, 10 - 32 X 3/8	7	4	F24623-1	GROMMET, GEAR SHIFT CHOKE ROD	5	38
				F269052	BEARING, SHIFT LEVER	19	27
				F269122-1	SEAL, CRANKCASE PARTING LINE	19	8

PARTS INDEX

Part Number	Description	Pg.	Ref. No.	Part Number	Description	Pg.	Ref. No.
F269319	BEARING, THROTTLE CAM	21	63	F40717	THRUST WASHER	31	18
F286028	BEARING, CRANKSHAFT LOWER MAIN	15	14	F40906-1	FLANGE GASKET	11	29
F286282	WASHER	21	57	F40906-1	GASKET, CARBURETOR	19	-
F286422-1	PIVOT, TILT LOCK	23	8	F409251-1	GAUGE CAP	35	10
F286440	STUD, MAGNETO CONTROL LEVER	21	54	F40956	BRACKET, SHOCK MOUNT UPPER THRUST	29	65
F286451	SPACER, TILT LOCK	23	9	F429811	SCREEN, CYLINDER DRAIN	19	35
F286544-1	SPRING, TILT LOCK	23	11	F433168	GASKET, CARBURETOR ADAPTER	19	-
F286547	CHOKE KNOB	5	39	F433168	GASKET, CARBURETOR ADAPTER W/STUDS	13	5
F286894-3	INDICATOR, SPEED CONTROL	29	56	F433209-1	STUD, THROTTLE CAM	21	65
F288075	HANDLE, STERN BRACKET CLAMP SCREW	23	34	F433404	DEFLECTOR PLATE	13	7
F288689	BEARING, MAGNETO CONTROL SHAFT	29	44	F433406	DEFLECTOR PLATE GASKET	19	-
F288691	GEAR, MAGNETO CONTROL SHAFT	27	43	F433406	GASKET, DEFLECTOR PLATE	13	8
F295080	STEERING HANDLE PIVOT BOLT	29	49	F434767	BUSHING, FUEL LINE	5	47
F295175	WASHER, STEERING HANDLE PIVOT BOLT	29	48	F435077	SCREEN, WATER INLET	33	43
F295457	RETAINING WASHER STEERING HANDLE PIVOT	29	47	F435555	SEAL, GEAR HOUSING	31	40
F295689	BEARING, STEERING HANDLE GEAR	27	40	F435562	WATER PUMP BACK PLATE	33	46
F298788	FERRULE	35	4	F435705	GEAR SHIFT ROD LOWER	31	35
F2A366298	PROPELLER SHAFT BEARING CAGE	31	13	F436449	SHORTING SWITCH FOR MANUAL START MODELS	9	5
F2A458081	MAGNETO CONTROL LEVER	21	56	F436541	TILT LOCK (PORT)	23	10
F2A458266	GEAR, BEVEL PINION ASSEMBLY W/BEARING	31	34	F438165	SCREW, FUEL PUMP BOWL	17	11
F2A458581	COLLAR W/LOWER CRANKCASE SEAL	15	11	F438500	FUEL PUMP BOWL	17	10
F2A504614	KNOB, GEAR SHIFT W/SHAFT	5	61	F438617	FUEL PUMP BOWL GASKET	21	-
F307818	BEARING	5	41	F438617	GASKET, FUEL PUMP BOWL	17	8
F307818	BEARING	19	14	F438653	SCREEN, FUEL PUMP	17	9
F307818	BEARING, LATCH SHAFT	3	37	F438747	FUEL PUMP DIAPHRAGM	17	2
F316160	REED	13	10	F438760	FUEL PUMP GASKET	17	1
F324689	BEARING, MAGNETO CONTROL SHAFT	3	32	F438760	FUEL PUMP GASKET	21	-
F324840-1	GROMMET, REMOTE THROTTLE CABLE	3	27	F438801	FITTING, FUEL PUMP BODY	17	15
F324993	BRACKET, CHOKE ROD BEARING	3	22	F440209	STUD, GEAR SHIFT LEVER	19	26
F333316	SHAFT, THROTTLE ROLLER	11	1	F455305	SEAL, CRANKSHAFT COLLAR	15	13
F335217-1	BEARING, PISTON PIN	15	3	F458003	STARTER INTERLOCK LEVER	7	23
F338618-1	SEAL, SHIFT ROD LOWER	33	42	F458015-1	PISTON	15	6
F366058	BALL BEARING, PROPELLER SHAFT	31	15	F458017	PISTON PIN	15	4
F366215	SPACER, PISTON PIN	15	2	F458019	KINGPIN	25	44
F366364	ARM, REVERSE LOCK	23	23	F458028	BEARING, CRANKSHAFT UPPER MAIN	15	19
F366727	BALL, PROPELLER SHAFT	31	19	F458038-2	SUPPORT PLATE	3	17
F385433	TILT STOP	23	40	F458057	BEARING, DRIVESHAFT UPPER	33	44
F385647	CARRYING HANDLE	27	35	F458065-1	WATER PUMP IMPELLER	33	47
F40008	STUD, SHORT	31	38	F458066	THERMOSTAT COVER	21	44
F40209	CARBURETOR STUD	13	3	F458067	GASKET, THERMOSTAT COVER	21	45
F40342	SEAL, PROPELLER NUT	31	10	F458067	THERMOSTAT COVER GASKET	21	-
				F458071	SPRING, STARTER HANDLE GUIDE	7	5
				F458076	TAB, SHOCK MOUNT SIDE	27	9
				F458079	STEERING HANDLE	27	36
				F458109	PLUG, CYLINDER HEAD	21	40
				F458132	HANDLE, STARTER ROPE	7	11
				F458133	MOTOR LEG	27	14

PARTS INDEX

Part Number	Description	Pg.	Ref. No.	Part Number	Description	Pg.	Ref. No.
F458146	SEAL, CRANKSHAFT UPPER MAIN	19	2	F458579	SEAL, CRANKCASE	15	10
F458151	EXHAUST PORT PLATE	21	48	F458592	RETAINER, STARTER PULLEY	7	16
F458152	EXHAUST PORT COVER	21	49	F458615	GEAR SHIFT ROD UPPER	29	70
F458154	EXHAUST PORT PLATE	21	-	F458677	INSERT, CHOKE KNOB	3	35
F458154	GASKET, EXHAUST PORT PLATE	21	47	F458688	SHAFT, STEERING HANDLE	29	57
F458166-2	SCREW, MOTOR LEG TO CYLINDER	27	15	F458690	SCREW, THROTTLE STOP	29	59
F458192	THROTTLE CAM	21	64	F458695	SLEEVE	29	53
F458198	THROTTLE STOP	29	61	F458727	BALL SHIFT LEVER DETENT	19	32
F458223	GASKET, TRANSFER PORT COVER	19	36	F458736	SEAL, WATER PUMP	33	49
F458223	TRANSFER PORT COVER GASKET	21	-	F458754	HOSE, FUEL PUMP TO CARBURETOR	17	14
F458232	STARTER ROPE	7	10	F458783	SEAL, SWIVEL BRACKET	23	28
F458239	STARTER PULLEY	7	8	F458845	EXTENSION, MOTOR LEG	33	-
F458244-1	INLET WATER LINE FOR STANDARD SHAFT MODELS	31	6	F458846	SPRING, STARTER INTERLOCK LEVER	7	21
F458245-1	BAFFLE, TILT HANDLE	3	3	F458880	CLIP, STARTER GUIDE	5	56
F458277	CRANKSHAFT BEARING CAGE GASKET	21	-	F458887	FASTENER, SUPPORT PLATE MOUNT	27	3
F458277	GASKET, CRANKSHAFT BEARING CAGE	19	4	F458888-1	TRIM, STARTER HANDLE GUIDE	5	54
F458279	CYLINDER EXHAUST GASKET	21	-	F458936	SCREW, CYLINDER HEAD	21	41
F458279	GASKET, CYLINDER EXHAUST	27	1	F458937	LINER, STARTER HOUSING	7	3
F458307	SEAL, DRIVESHAFT	33	45	F458953-1	GUIDE, STARTER HANDLE	7	6
F458312	PACKING, LEG COVER SIDE	27	29	F458962	MOUNT, SIDE UPPER	27	8
F458315	PACKING, LEG COVER SIDE UPPER	27	33	F458963	PLATE, SHOCK MOUNT	27	5
F458320	PACKING, LEG COVER FRONT UPPER PORT	27	27	F458970	SPRING, STARTER REWIND	7	7
F458322	PACKING, LEG COVER REAR	27	12	F458972-1	COVER, SHOCK MOUNT STARBOARD	27	25
F458323-1	PACKING, LEG COVER FRONT	27	28	F458973-1	COVER, SHOCK MOUNT PORT	27	18
F458324	PACKING, LEG COVER FRONT UPPER STARBOARD	27	32	F458977-3	LEVER, SHIFT INTERLOCK	19	15
F458345	PAD, KING PIN MOUNTING	29	76	F460097-1	FLYWHEEL	9	1
F458347	MOUNT, SUPPORT PLATE	27	4	F460664	STATOR GROUND WIRE	9	6
F458371	BRACKET, REMOTE THROTTLE CABLE	3	24	F461061-3	CARBURETOR COMPLETE (WB19D)	11	30
F458424	SPRING, STARTER PAWL PLATE	7	9	F461342	SEAL, DRIVESHAFT SPLINE	15	12
F458445	LINK MAGNETO CONTROL SHAFT	21	53	F461400	INDICATOR, GEAR SHIFT	5	46
F458453	GASKET, LEG EXHAUST	27	11	F461774	BRACKET, RETAINER - REAR	3	16
F458453	LEG EXHAUST GASKET	21	-	F461952	STRAP, HAND STARTER HOUSING	7	20
F458456	HAND STARTER COLLAR	7	13	F462962	SHOCK MOUNT, LOWER SIDE	27	16
F458498	FLYWHEEL KEY	15	18	F463864	RETAINER, TILT HANDLE	3	6
F458502	ROD, THROTTLE CAM	21	60	F476	FUEL LINE ADAPTION KIT	41	-
F458503	CHOKE ROD	3	18	F483300	SPRING	23	27
F458509	LINK, MAGNETO STATOR	21	61	F483349-1	REVERSE LOCK	23	25
F458519	SCREW, TILLER IDLE STOP	29	50	F483510-1	LINK, REVERSE LOCK	23	24
F458529	CYLINDER HEAD GASKET	21	-	F483827	LEVER, REVERSE LOCK	23	17
F458529	GASKET, CYLINDER HEAD	21	38	F483884	BEARING	23	22
				F487755	FUEL TANK ADAPTER	35	8
				F498618	SEAL, "O" RING	31	29
				F498891	GEAR SHIFT ARM PIVOT PIN	31	28
				F50109	PLUG, GEAR HOUSING	31	26
				F502128	DRIVESHAFT	31	2
				F502128	DRIVESHAFT	33	-
				F504052	BEARING (HAND START ONLY)	21	67

PARTS INDEX

Part Number	Description	Pg.	Ref. No.	Part Number	Description	Pg.	Ref. No.
F504527	CAP, INTERLOCK	19	21	F5H078	IGNITION KEY SWITCH	41	-
F504621	LEVER, GEAR SHIFT CONTROL	5	43	F5H081	BATTERY CABLE	41	-
F504809	ROD, STARTER INTERLOCK	19	22	F5H086	STARTER CONVERSION	42	-
F504836	SPACER, GEAR SHIFT SHAFT	5	42	F5H087	MANUAL TILLER KIT	42	-
F513388	DISC, WATER PUMP LOCATING	33	53	F5H102	STEERING LINK KIT	42	-
F529125-1	TUBE, PIVOT STEERING	23	38	F5H106	STEERING LINK KIT	42	-
F529286	WASHER, SWIVEL BRACKET FRICTION	23	13	F5H120	REMOTE CONTROL BACK PLATE	43	-
F529390-1	DECAL, REVERSE LOCK - USA	25	46	F5H130	REMOTE CONTROL SURFACE MOUNT	41	-
F529726	BEARING	23	18	F5H131	PORT SIDE DECAL KIT	41	-
F53795-1	SEAL, STEERING HANDLE GRIP	29	51	F5H134	BOAT WHITE LACQUER	41	-
F563	TERMINAL BLOCK KIT	43	-	F5H154	SPEEDOMETER	41	-
F590	REMOTE CONTROL	43	-	F5H155	SPEEDOMETER	41	-
F596	CHRYSLER OUTBOARD OIL	42	-	F5H157	VOLTMETER	42	-
F597	CHRYSLER OUTBOARD GEAR LUBE	42	-	F5H159	HOURMETER	42	-
F5H019	ANTI-CORROSION KIT	41	-	F5H167	TACHOMETER	43	-
F5H020	CARRYING HANDLE	41	-	F602711	PLATE, FRONT	5	59
F5H021	BATTERY EXTENSION CABLE	41	-	F66480	STUD	23	32
F5H025	ANTI-CORROSION SACRIFICIAL ANODE	41	-	F7004	LOCK NUT	33	58
F5H027	FUEL TANK (ACCESSORY ITEM)	35	9	F7004	LOCK NUT, 3/8 - 16	19	19
F5H027	STEEL, 6 GALLON FUEL TANK	41	-	F7011	HEX NUT	3	9
F5H028	SENDING UNIT	41	-	F7024	STOP NUT	23	1
F5H029	FUEL TANK ANCHOR	41	-	F75H22	IGNITION CUT-OFF SWITCH	42	-
F5H030	SWITCH KIT - RUNNING LIGHTS	42	-	F762	REMOTE ELECTRIC CABLE	43	-
F5H031	SWITCH KIT - SPOT LIGHT	42	-	F8000	PLAIN WASHER	19	7
F5H032	SWITCH KIT - WIPER	42	-	F8011	PLAIN WASHER	7	24
F5H034	SWITCH KIT - BILGE PUMP	42	-	F8011	PLAIN WASHER	11	34
F5H035	SWITCH KIT - HORN	43	-	F8049	BOWED SPRING WASHER	29	73
F5H036	SWITCH KIT - TACHOMETER TRANSFER	43	-	F8058	INTERNAL TOOTH LOCKWASHER	19	30
F5H037	SWITCH KIT - LIGHTER	43	-	F8059	SPRING LOCKWASHER	9	8
F5H038	SWITCH KIT - IGNITION	43	-	F8065	SPRING LOCKWASHER	31	31
F5H039	SWITCH KIT - INSTRUMENTS	43	-	F8065	SPRING LOCKWASHER	33	-
F5H040	STEEL, 12 GALLON FUEL TANK	41	-	F8077	WASHER, GEAR HOUSING PLUG	31	27
F5H041	BATTERY TERMINAL KIT	41	-	F8083	SPRING LOCKWASHER	23	6
F5H055	WATER PUMP	41	-	F8094	PLAIN WASHER	23	19
F5H059	CHRYSLER OUTBOARD MULTI-PURPOSE GREASE	42	-	F8096	SPRING LOCKWASHER	5	51
F5H060	CHRYSLER OUTBOARD GREASE GUN	42	-	F8096	SPRING LOCKWASHER	27	26
F5H070	REMOTE ELECTRIC CABLE	43	-	F84026	SWIVEL SHIFT INTERLOCK BEARING	19	17
F5H072	OVERHEAT BUZZER KIT	41	-	F84035-2	BEARING, SHIFT INTERLOCK ROD	19	16
F5H075	SWITCH EXTENSION CABLE - 24"	43	-	F84314-2	ELBOW	11	6
F5H076	SWITCH EXTENSION CABLE - 5	42	-	F84792	FUEL PUMP VALVE GASKET	17	5
F5H077	IGNITION KEY SWITCH	41	-	F85026	SWIVEL, SHIFT INTERLOCK LEVER	19	13
				F8537	SPRING PIN	23	33
				F85372	PIN, GEAR SHIFT ROD LOWER	31	37
				F8548	SPRING PIN	29	54
				F8550	SPRING PIN	27	39
				F8559	DOWEL PIN	21	46
				F85610	BEARING	29	64
				F85610	BEARING, STEERING HANDLE SHAFT	29	58
				F85634-2	SCREW, CONNECTING ROD	15	15
				F85735-1	SEAL	3	7
				F85756	PACKING, ENGINE COVER	3	13

PARTS INDEX

Part Number	Description	Pg.	Ref. No.	Part Number	Description	Pg.	Ref. No.
F861	FLUSHING ADAPTER	41	-	FA458778	RETAINER, ENGINE COVER		
F866	REMOTE CONTROL (TWIN LEVER)	41	-		FRONT W/SCREWS AND NUTS	5	60
F88161-3	REED STOP	13	11	FA458838	MAGNETO CONTROL SHAFT W/EYELET	3	34
F89777-1	CAM, ENGINE COVER LATCH	5	52	FA460423	STARTER PAWL PLATE ASSEMBLY	7	18
F90096	RETAINER, PISTON PIN . . .	15	1	FA485662	BEVEL GEAR REAR W/BUSHING	31	17
F901011	WASHER, SWIVEL BRACKET	25	43	FA502554	GEAR HOUSING UPPER . . .	33	41
F901169-1	BEARING, SWIVEL BRACKET	23	29	FA504082	MAGNETO STATOR RING . .	19	5
F901563	DRIVE PIN, WATER PUMP IMPELLER	31	3	FA510914	SEAL, INLET WATER LINE LOWER	33	50
F901631-1	FRICTION SHOE	23	5	FA513060	WATER PUMP BODY	33	48
F901775	PLATE, FRICTION SHOE . . .	23	4	FA529072	SWIVEL BRACKET	23	42
F9018	CAP, PIVOT STEERING TUBE	25	45	FA529386	DECAL NUMERAL 25	3	14
F901822-1	STUD, SWIVEL BRACKET . .	23	3	FA542010	CYLINDER W/CRANKCASE COVER	19	9
F9022	SHIM .006 (SILVER)	7	17	FA572158	REED PLATE W/PLUG	13	9
F9023	SHIM .007 (BRASS)	7	-	FA572222	TRANSFER PORT COVER . .	19	24
F9024	SHIM .010 (BLACK)	7	-	FA603396	DECAL, ENGINE COVER - STARBOARD	3	-
F90619-1	YOKE, SHIFT ARM	31	39	FA603397	DECAL, ENGINE COVER - PORT	3	12
F90807	RETAINER, CHOKE ROD FOR MANUAL START MODELS	11	35	FA603892	DECAL ENGINE COVER - FRONT	5	58
F90871-3	GEAR SHIFT ARM PIN	31	21	FA84754-1	FUEL LINE SHORT	35	5
F92759	ROLLER, THROTTLE CAM FOLLOWER	11	2	FA85754-1	HOSE, FUEL PUMP TO BUSHING	17	13
F97008-1	STUD, LONG	31	30	FA94094-2	PROPELLER NUT	31	8
F97772	FUEL LINE CLAMP	17	12	FC409398	DECAL, TOTE TANK - CANADA (NOT SHOWN) . .	35	-
F98273	ROD END CONNECTOR STUD	19	29	FC461400	INDICATOR, GEAR SHIFT - CANADA	5	-
F99521-1	CLUTCH	31	23	FC529390	DECAL, REVERSE LOCK - CANADA	25	-
FA12370	COIL W/LEAD WIRE	9	12	FC542010	SHORT BLOCK (NOT SHOWN)	19	-
FA324113	STERN BRACKET LOCK BAR W/END	23	37	FG1010	GASKET SET	19	37
FA343178	RETAINER, GEAR SHIFT SHAFT	5	45	FK10000	GASKET SET.	11	20
FA343178	RETAINER, MAGNETO CONTROL SHAFT	3	29	FK1053	WATER PUMP KIT	33	57
FA413469	COVER LATCH HANDLE W/SHAFT	3	36	FK1066	TUNE UP KIT.	9	19
FA413815	GEAR, STEERING HANDLE . .	27	42	FK1068	GEAR HOUSING SEAL KIT. .	33	56
FA434616	GEAR SHIFT ROD INTERMEDIATE	33	52	FK1119	LEG EXTENSION KIT	42	-
FA435116	EXHAUST SNOUT	33	54	FK1119	LONG LEG EXT. KIT W/PARTS LISTED BELOW.	33	60
FA435616	GEARSHIFT ROD INTERMEDIATE	33	-	FK1123	SPARKIE W/SPRING	9	14
FA438431	FUEL PUMP BODY	17	6	FK247	PROPELLER PIN, PACK OF 6	31	11
FA456137	GRIP, STEERING HANDLE . .	29	55	FK85228-1	BEARING CAGE W/ROLLERS (16 PER SET)	15	16
FA458144	CRANKSHAFT BEARING CAGE	19	3	FO10165	INLET SEAT GASKET	11	24
FA458167	CARBURETOR ADAPTER . .	13	4	FO10280	CHOKE SHUTTER RETAINING SCREW AND LOCKWASHER	11	11
FA458260	PISTON RING SET (4 PER SET)	15	7	FO10588	BODY CHANNEL WELCH PLUG	11	32
FA458480	RETAINER, ENGINE COVER - REAR	3	10	FO10790	INLET NEEDLE, SEAT AND GASKET	11	23
FA458518	CYLINDER HEAD	21	39				
FA458571	ROLLER, CENTER MAIN . . .	15	9				
FA458655	LINER, CENTER MAIN (1 SET)	15	8				

PARTS INDEX

Part Number	Description	Pg.	Ref. No.	Part Number	Description	Pg.	Ref. No.
FO11103	IDLE MIXTURE SCREW			FT2963-2	SEALANT - 2 OZ. LOCTITE		
	SPRING	11	10		D, HARDENING GRADE ..	40	-
FO12250	CHOKE SHUTTER	11	14	FT2987-1	LUBRICANT - ANTI-SEIZE ..	40	-
FO12251	CHOKE RELIEF VALVE	11	12	FT2989	FLYWHEEL WEDGE	36	-
FO13552	FUEL BOWL	11	18	FT2990	PISTON PIN REMOVER	37	-
FO13554	FLOAT	11	21	FT2991	CARBON BRUSH	37	-
FO13944	FLOAT LEVER PIN	11	15	FT2996	RING COMPRESSOR	37	-
FO13945	FUEL BOWL RETAINING			FT2998	TORQUE WRENCH (0 - 100		
	SCREW	11	19		LBS./FT.)	37	-
FO14108	MAIN FUEL JET OPT. .064			FT2999	TORQUE WRENCH (0 - 600		
	1250-3750 FT.	11	-		LBS./IN.)	37	-
FO14166	IDLE MIXTURE SCREW	11	9	FT3431	SEAL INSTALLER	38	-
FO14186	MAIN FUEL JET OPT. .060			FT8900	HOSE CLAMP PLIERS	37	-
	6250-8250 FT.	11	-	FT8904	CUP INSTALLER	38	-
FO14187	MAIN FUEL JET OPT. .062			FT8907	DRIVER HANDLE	38	-
	3750-6250 FT.	11	-	FT8918	BEARING GUIDE SET	38	-
FO14188	MAIN FUEL JET STD. .066			FT8919	SPRING PIN PUNCH	38	-
	SEA LEVEL - 1250 FT. ...	11	25	FT8921	CUP REMOVER	38	-
FO15213	MAIN NOZZLE	11	22	FT8926	RING EXPANDER	37	-
FO15623	FUEL BOWL GASKET	11	16	FT8930-1	FEELER GAUGE	36	-
FO16397	CHOKE SHAFT RETURN			FT8932	LIFTING HOOK	37	-
	SPRING	11	7	FT8935	SEALANT PRIMER - 6 OZ. ..	40	-
FO16562	CHOKE SHAFT AND LEVER			FT8936-1	SEALANT - 2 CC LOCTITE		
FO16563	THROTTLE SHAFT RETURN				RETAINING COMPOUND		
	SPRING	11	5		#75	40	-
FO16620	E-RING, THROTTLE SHAFT			FT8948-1	PROPELLER SHAFT		
	RETAINING	11	26		BEARING CAGE PULLER	38	-
FO17639	THROTTLE SHUTTER	11	27	FT8950	LEAKAGE TESTER	39	-
FO17907	THROTTLE SHAFT AND			FT8953	C-D TESTER	39	-
	LEVER	11	4	FT8957	SEAL INSTALLER	38	-
FO2510	FUEL BOWL RETAINING			FT8963	BEARING INSTALLER	38	-
	SCREW GASKET	11	17	FT8964	BEARING REMOVER	38	-
FO4326	BODY CHANNEL WELCH			FT8967	SEAL PROTECTOR	37	-
	PLUG	11	31	FT8968A	TEST WHEEL	39	-
FO8942	THROTTLE SHUTTER			FT8969	LUBRICANT - 7 OZ. L PSI		
	RETAINING SCREW AND				LUBRICANT	40	-
	LOCKWASHER	11	28	FT8971	SEAL INSTALLER	37	-
FP293	PROPELLER (ACCESSORY			FT8972	SEAL INSTALLER	38	-
	ITEM)	31	7	FT8976	SEAL PROTECTOR	37	-
FS409752	FUEL LINE COMPLETE -			FT8977	SEAL COLLAR INSTALLER .	37	-
	(NOT SHOWN)	35	-	FT8983	SEALANT - RTV	40	-
FS458023	BEVEL GEAR FRONT			FT8996	IGNITION TESTER	39	-
	W/BEARING	31	24	21-817741A1	CHECK VALVE	19	23
FS529532	STERN BRACKET	23	14	32-817738A1	FUEL LINE, LONG	35	7
FS901244	EXTENSION, WATER LINE .	33	-	33-82370M	SPARK PLUG (L-82)	21	42
FSA458015	PISTON .010 OVERSIZE			37-F286894-3	INDICATOR SPEED		
	(NOT SHOWN)	15	-		CONTROL - CANADA	29	-
FSA458260	PISTON RINGS (4 PER SET)			39-818119A1	PISTON RINGS (4 PER SET)		
	.010 OVERSIZE (NOT				.030 OVERSIZE (NOT		
	SHOWN)	15	-		SHOWN)	15	-
FT11201	HARNESS ADAPTER	39	-	44-819500A3	PROPELLER SHAFT		
FT1749	SNAP RING PLIERS	37	-		ASSEMBLY	31	20
FT2910	KNOCK-OFF NUT	36	-	100-818015A1	ENGINE COVER	3	1
FT2938-1	BATTERY POWERED HEAD			400-818058A1	CRANKSHAFT W/LOWER		
	TEST LIGHT	39	-		MAIN BEARING	15	17
FT2951	CIRCUIT TRACER	39	-	600-818052A4	CONNECTING ROD	15	5
FT2953	SOCKET	37	-	700-818118A1	PISTON .030 OVERSIZE		
FT2961	LUBRICANT - RYKON				(NOT SHOWN)	15	-
	GREASE #2EP	40	-	1600-817804A3	GEAR HOUSING LOWER ..	31	25

PARTS INDEX

Part Number	Description	Pg.	Ref. No.	Part Number	Description	Pg.	Ref. No.
-------------	-------------	-----	----------	-------------	-------------	-----	----------