



PARTS CATALOG

45 H.P.

SERIAL NUMBER

45 (1982)	457B2N
45 (1982)	457H2N

TABLE OF CONTENTS:

ACCESSORIES	47
ALTERNATOR AND ELECTRICAL COMPONENTS	4
CARBURETOR	12
CRANKSHAFT AND PISTON GROUP	22
ELECTRIC STARTER	8
ENGINE COVER AND SUPPORT PLATE	2
FUEL PUMP	10
FUEL TANK AND LINE	36
GEAR HOUSING	32
MOTOR LEG	26
PARTS INDEX	50
POWER HEAD	16
REED PLATE	24
REMOTE CONTROL	38
SPECIAL TOOLS - LOWER UNIT	44
SPECIAL TOOLS - LUBRICANTS AND SEALANTS	46
SPECIAL TOOLS - POWER HEAD	43
SPECIAL TOOLS - TEST EQUIPMENT	45
SPECIAL TOOLS - TUNE-UP	42

NOTE: Indented description indicate that these parts are included in preceeding assembly.

AR = As Required

NSS = Not Sold Separate

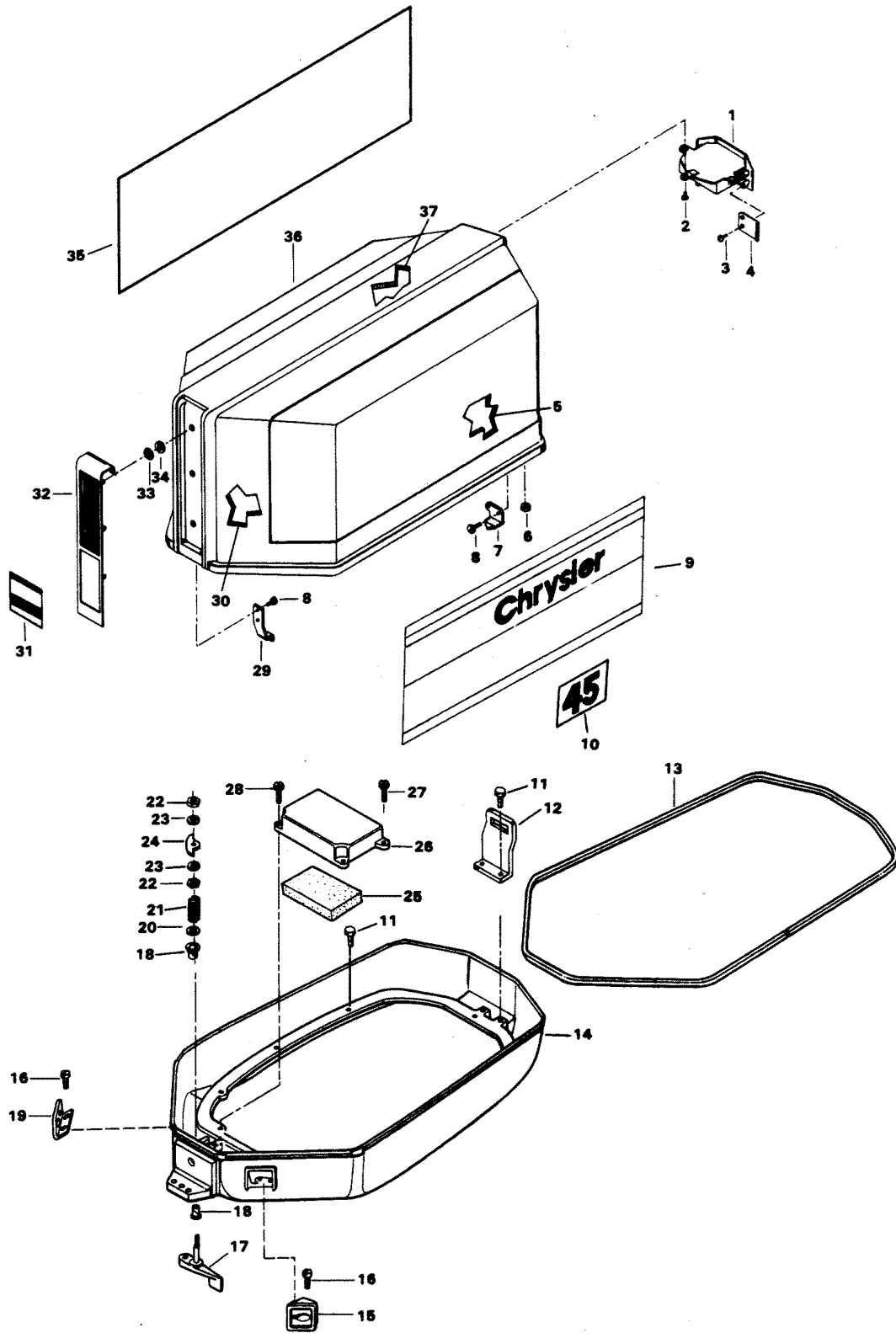
OPT = Optional

NS = Not Shown

THESE PARTS BOOKS/FICHE CARD ARE COPYRIGHTED AND MAY NOT BE DISTRIBUTED OR REPRODUCED IN ANY OTHER FORMAT BY ANYONE OTHER THAN MERCURY MARINE WITHOUT THE PRIOR WRITTEN CONSENT OF MERCURY MARINE.

THIS PAGE INTENTIONALLY LEFT BLANK

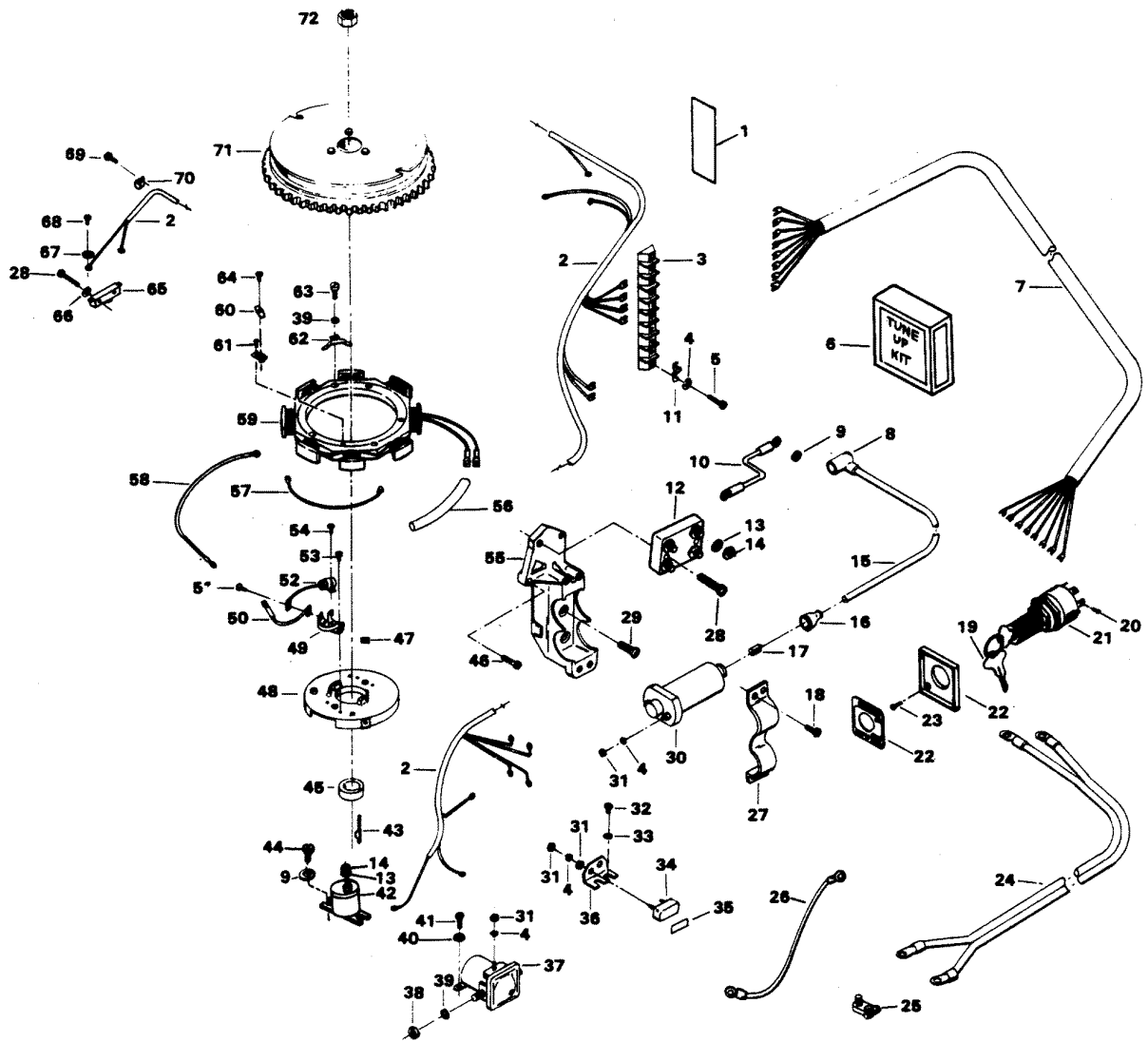
ENGINE COVER AND SUPPORT PLATE



ENGINE COVER AND SUPPORT PLATE

REF. NO.	PART NO.	SYM.	QTY.	DESCRIPTION
1	817814A1		1	TILT HANDLE W/LITERATURE ORIGINAL FORCE P/N A 463269-1
2	F2025		1	PAN HD SCREW, 10 X 5/8
3	F2066		4	PAN HD SELF-TAPPING SCREW
4	F463864		2	RETAINER, TILT HANDLE
5	F465985		2	BLANKET, SILENCER - SIDE
6	F7011		4	HEX NUT, 10 - 24
7	FA458480		1	ENGINE COVER RETAINER W/ILLUS. 6 AND 8
8	F1475		4	FILL HD SCREW, 10 X 24 X 1/2
9	FA605397		1	DECAL, ENGINE COVER - PORT W/LITERATURE
10	FA606386		2	DECAL, NUMERAL "45" W/LITERATURE
11	F1864		8	HEX CAP SCREW, 1/4 - 20 X 3/4
12	F458774		1	BRACKET RETAINER - REAR
13	F85756		1	SUPPORT PLATE PACKING
14	F307038		1	SUPPORT PLATE
15	F549189		1	BUSHING ELECTRIC CABLE ENTRY
16	F1733		3	PAN HD SCREW, 10 - 24 X 9/16
17	FA328763		1	COVER LATCH HANDLE W/SHAFT
18	F307818		2	BEARING, LATCH SHAFT
19	F545189		1	BUSHING, CABLE ENTRY
20	F1987		1	PLAIN WASHER
21	F183300		1	SPRING
22	F1515		2	HEX NUT, 5/16 - 18
23	F8096		2	SPRING LOCKWASHER
24	F89777-1		1	LATCH CAM
25	F307860		1	INTAKE SILENCER
26	FA307779		1	BAFFLE, AIR INTAKE W/ILLUS. 25
27	F1864		2	HEX HD SCREW, 1/4 - 20 X 3/4
28	F1532		2	HEX HD SCREW, 1/4 - 20 X 1
29	FA366778		1	ENGINE COVER RETAINER FORWARD W/ILLUS. 6 AND 8
30	F474992		1	BLANKET, SILENCER - FRONT
31	FA605892		1	DECAL, ENGINE COVER FRONT W/LITERATURE
32	F605711		1	PLATE, FRONT
33	F85735-1		3	SEAL
34	F1753		3	FASTENER
35	FA605396		1	DECAL, ENGINE COVER - STARBOARD W/LITERATURE
36	FS606712		1	ENGINE COVER, W/ILLUS. 6, 7, 8 AND 29 ORIGINAL FORCE P/N S 486712-1
-	2C605712		1	ENGINE COVER COMPLETE. INCLUDES ALL ITEMS MARKED WITH AN ASTERISK (*) NOTE: THE NUMERAL MUST BE ORDERED SEPARATELY
37	F311984-1		1	BLANKET, SILENCER - TOP

ALTERNATOR AND ELECTRICAL COMPONENTS

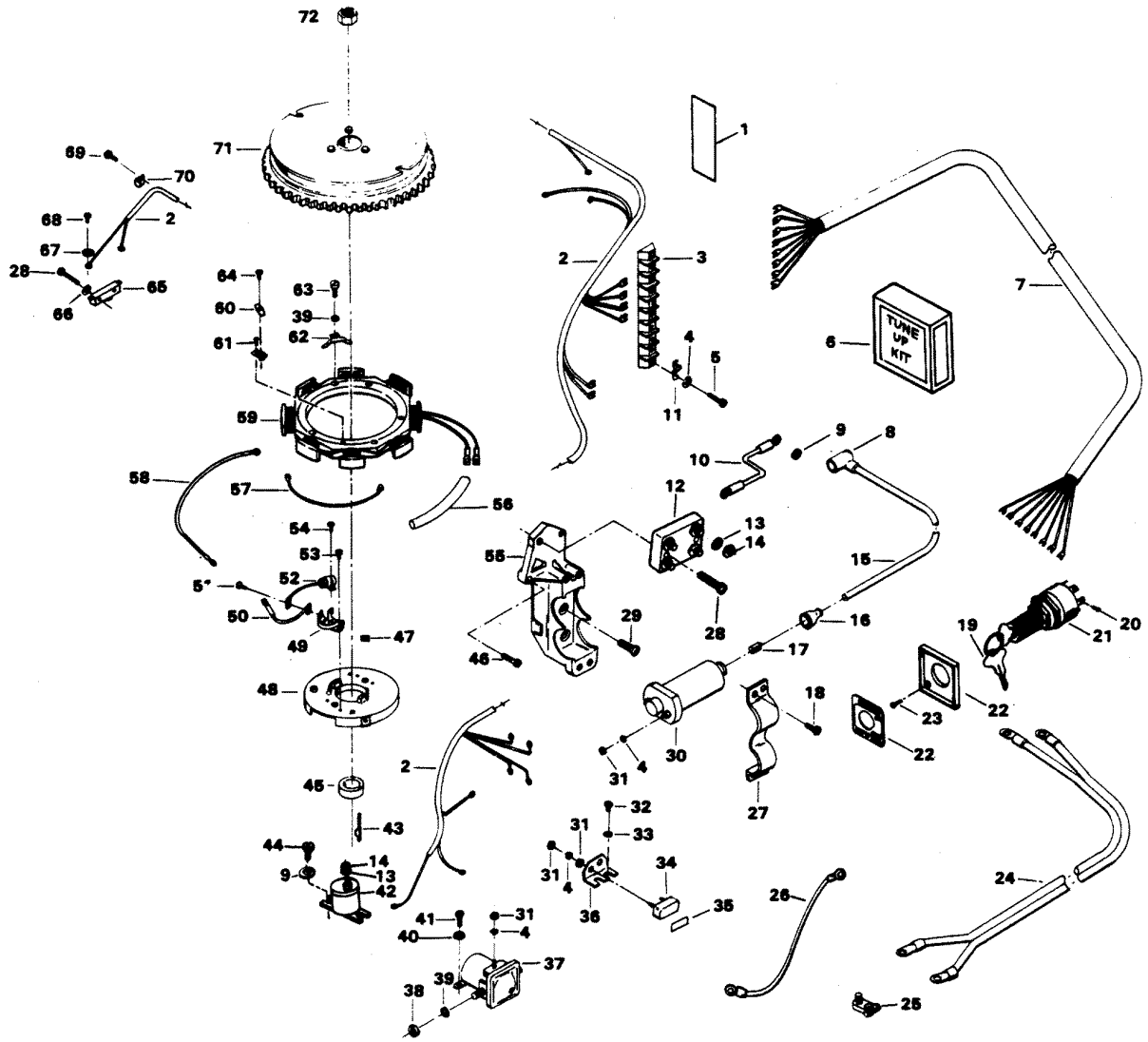


ALTERNATOR AND ELECTRICAL COMPONENTS

REF. NO.	PART NO.	SYM.	QTY.	DESCRIPTION
1	F438398-1		1	DECAL, WIRING
-	FA27232		1	EMERGENCY STARTER ROPE (NOT SHOWN) WITH HANDLE
2	F311744-2		1	WIRING HARNESS
3	FA510497		1	TERMINAL BLOCK W/ILLUS. 5 ORIGINAL FORCE P/N K 289497-2
4	F1975		7	LOCKWASHER
5	F1974		2	SLOTTED PAN HD SCREW, 10 - 24 X 5/8
6	FK1075		1	TUNE-UP KIT. INCLUDES ALL ITEMS MARKED WITH AN ASTERISK (*)
7	F85843-1		1	ELECTRIC CONTROL CABLE
8	FK1123		2	SPARKIE KIT
9	F8083		3	SPRING LOCKWASHER
10	F345683		1	WIRE - GROUND
11	F307317		1	CLIP, TERMINAL BLOCK - GROUND
12	F369450		1	RECTIFIER
13	F8056		6	SPRING LOCKWASHER
14	F1647		5	HEX NUT, 8 - 32
15	84-817765A2		2	COIL WIRE. INCLUDES ITEMS 16 AND 17 ORIGINAL FORCE P/N A 307664-1
-	F467841		2	COIL WIRE - CANADA
16	F203276		2	COIL BOOT
17	F203673		2	TERMINAL CLIP
18	F1922		4	HEX CAP SCREW, 1/4 - 20 X 5/8
19	FA368700		1	IGNITION KEY - NO LETTER OR STAMPED A
-	FB368700		1	IGNITION KEY - STAMPED B
-	FC368700		1	IGNITION KEY - STAMPED C
-	FD368700		1	IGNITION KEY - STAMPED D
-	FE368700		1	IGNITION KEY - STAMPED E
20	F1280		5	PAN HD SCREW, 8 - 32 X 1/4
21	F5H078		1	IGNITION SWITCH (ACCESSORY ITEM) W/ILLUS. 19 AND 20
22	F5H038		1	IGNITION SWITCH MOUNTING KIT (ACCESSORY ITEM) INCLUDES ITEM 23
23	F1934		4	FLAT HD SLOTTED SCREW, 6 X 1/2
24	F381896-4		1	BATTERY CABLE
25	F71H26		2	BATTERY TERMINAL KIT (ACCESSORY ITEM)
26	F307683		1	WIRE, CIRCUIT BREAKER
27	F380513		1	COIL CLAMP
28	F2016		4	FILL HD SCREW, 8 - 32 X 7/8
29	F1164		2	FLAT HD SCREW, 5/16 - 18 X 1 1/8
30	F380475		2	COIL
31	F1513		9	HEX NUT, 10 - 32
32	F1733		2	PAN HD SCREW, 10 - 24 X 9/16
33	F8011		2	PLAIN WASHER
34	F510460		1	CIRCUIT BREAKER

CONTINUED ON NEXT PAGE ➡

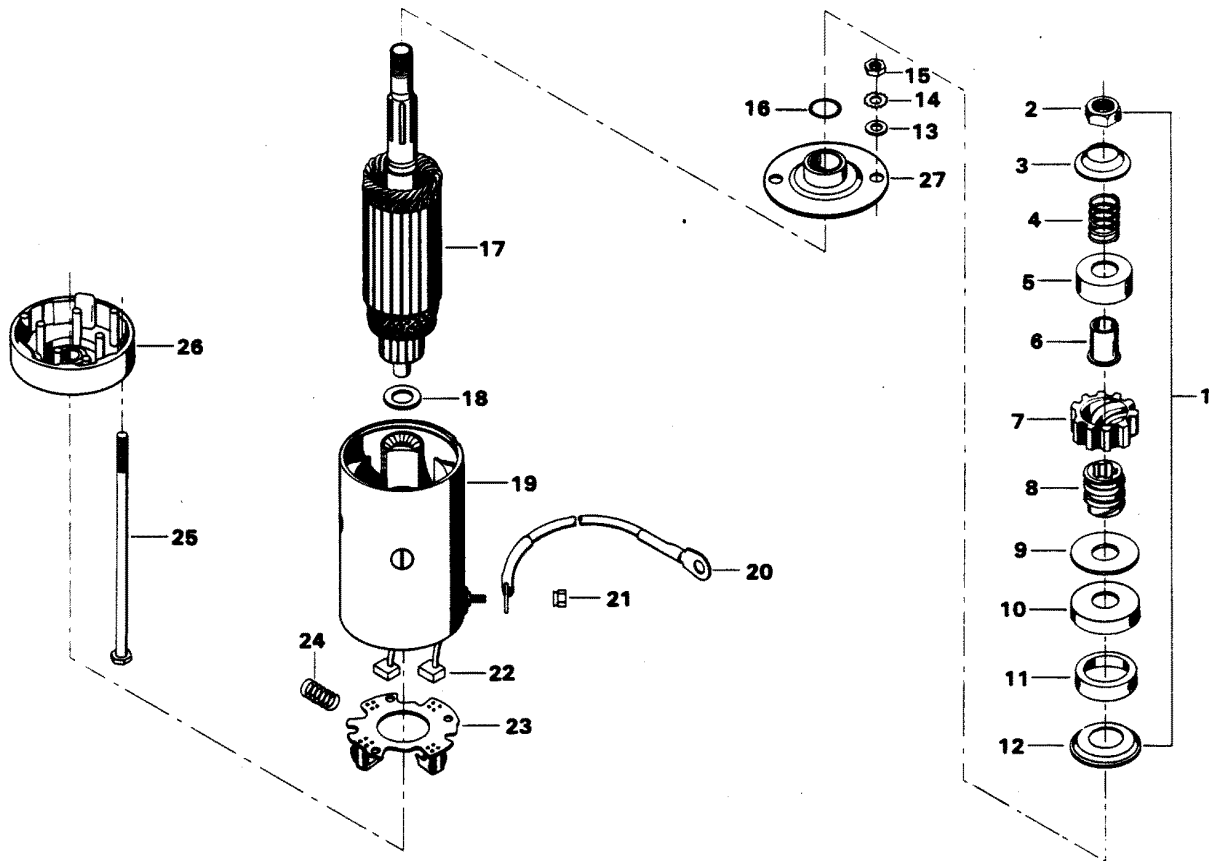
ALTERNATOR AND ELECTRICAL COMPONENTS



ALTERNATOR AND ELECTRICAL COMPONENTS

REF. NO.	PART NO.	SYM.	QTY.	DESCRIPTION
35	F510374		1	DECAL, CIRCUIT BREAKER
36	F91446-1		1	CIRCUIT BREAKER BRACKET
37	F177917		1	STARTER RELAY
38	F1615		2	HEX NUT, 5/16 - 24
39	F8096		5	SPRING LOCKWASHER
40	F8094		1	PLAIN WASHER
41	F1864		2	FILL HD SCREW, 1/4 - 20 X 3/4
42	89-817760A2		1	CHOKE SOLENOID W/ILLUS. 13 AND 14 ORIGINAL FORCE P/N A 289924-1
43	F92498		1	KEY
44	F1854		2	HEX HD SCREW, 1/4 - 20 X 5/8
45	F268002-2		1	CAM
46	F1532		1	HEX HD SCREW, 1/4 - 20 X 1
47	F12227		2	CAM WIPER - FELT
48	F12344		1	BREAKER PLATE
49	F12329-2		2	BREAKER POINT SET
50	F12189		2	CONDENSER MOUNT SCREW
51	F12174-1		2	PRIMARY INTERLEAD GROUP
52	F12139-1		2	CONDENSER
53	F12090		4	BREAKER CONTACT SCREW
54	F12083		2	CONDENSER MOUNT SCREW W/LOCKWASHER
55	F380501		1	COIL MOUNT
56	F94914		1	SLEEVE
57	F12338		1	GROUND WIRE
58	F289664		1	WIRE STATOR GROUND
59	F466095		1	STATOR
60	F12172		2	TERMINAL COMPLETE INCLUDES ITEM 64
61	F1958		1	PAN HD SCREW, 6 X 7/16
62	F466479		3	BREAKER PLATE SHOE
63	F2071		3	HEX CAP SCREW, 5/16 - 18 X 1 3/8
64	F12167		2	SCREW
65	F84449		1	NEUTRAL INTERLOCK SWITCH
66	F8088		2	PLAIN WASHER
67	F1704		2	INTERNAL TOOTH LOCKWASHER
68	F1645		2	RD HD SELF-TAPPING SCREW, 6 - 32 X 1/4
69	F1110		1	SLOTTED FILL HD SCREW, 1/4 - 20 X 5/8
70	F92446		1	CLAMP
71	F203097-5		1	FLYWHEEL
72	F1920		1	HEX NUT, 5/8 - 18

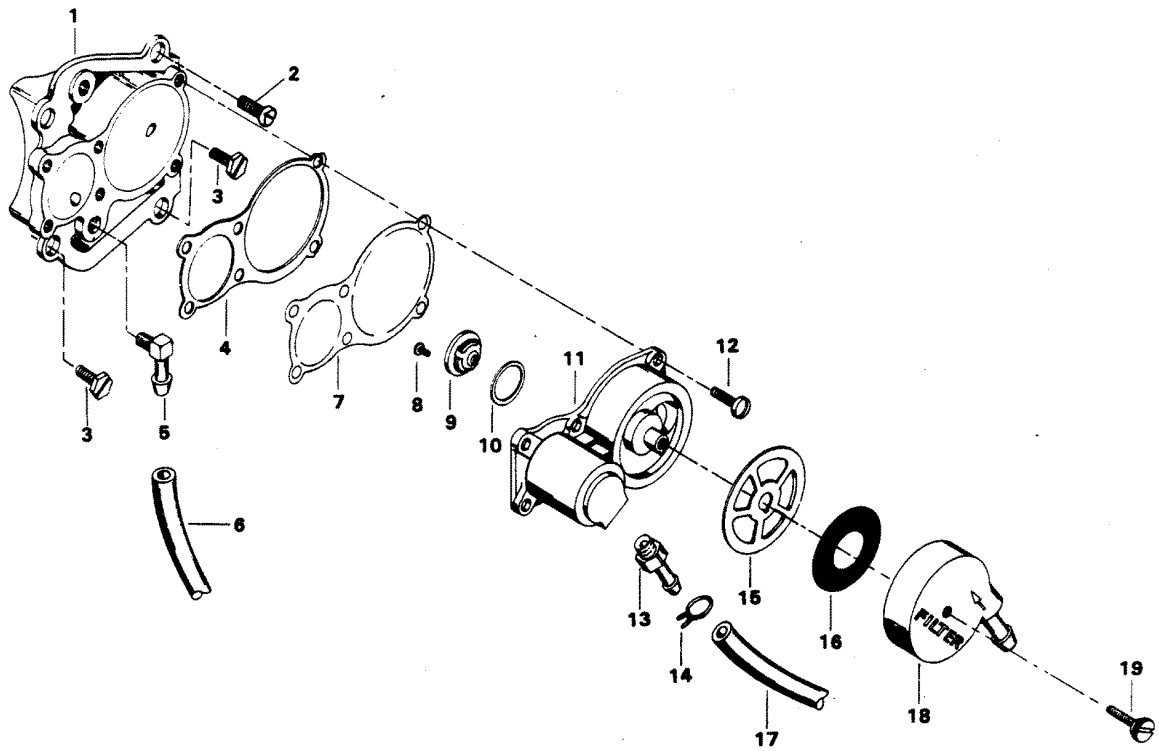
ELECTRIC STARTER



ELECTRIC STARTER

REF. NO.	PART NO.	SYM.	QTY.	DESCRIPTION
1	F15113		1	BENDIX DRIVE. (INCLUDES ILLUS. 2 THRU 12)
2	F15087		1	NUT
3	F15109		1	STOP
4	F15088		1	SPRING
5	F15115		1	CUP, PINION
6	F15116		1	SLEEVE
7	F15114		1	PINION
8	FK15084		1	SCREW SHAFT W/PINION AND LITERATURE
9	F15091		1	WASHER
10	F15105		1	CUP
11	F15106		1	CUSHION
12	F15104		1	CUP, CUSHION THRUST
13	F8028		2	PLAIN WASHER
14	F8060		2	LOCKWASHER
15	F1514		2	HEX NUT, 1/4 - 20
16	F15000		1	SEAL, "O" RING
17	F15044		1	ARMATURE
18	F15073		1	THRUST WASHER PACKAGE
19	F15043		1	FRAME AND FIELD ASSEMBLY. INCLUDES ITEM 24
20	F307908		1	STARTER LEAD
21	FA15072		1	HEX LOCK NUT, 1/4 - 20 W/LOCKWASHER
22	F15042		1	BRUSH SET
23	F15038-1		1	BRUSH PLATE AND HOLDER
24	F15034		1	SPRING SET
25	F15094		1	THRU BOLT PACKAGE (SET OF 2 BOLTS)
26	15037		1	HEAD ASSEMBLY, COMMUTATOR END
-	FA201955		1	STARTER MOTOR - COMPLETE (NOT SHOWN). INCLUDES ALL ITEMS MARKED WITH AN (*) ASTERISK.
-	FC479390		1	DECAL, STARTER - CANADA (NOT SHOWN)
27	F15021-1		1	HEAD ASSEMBLY, DRIVE END

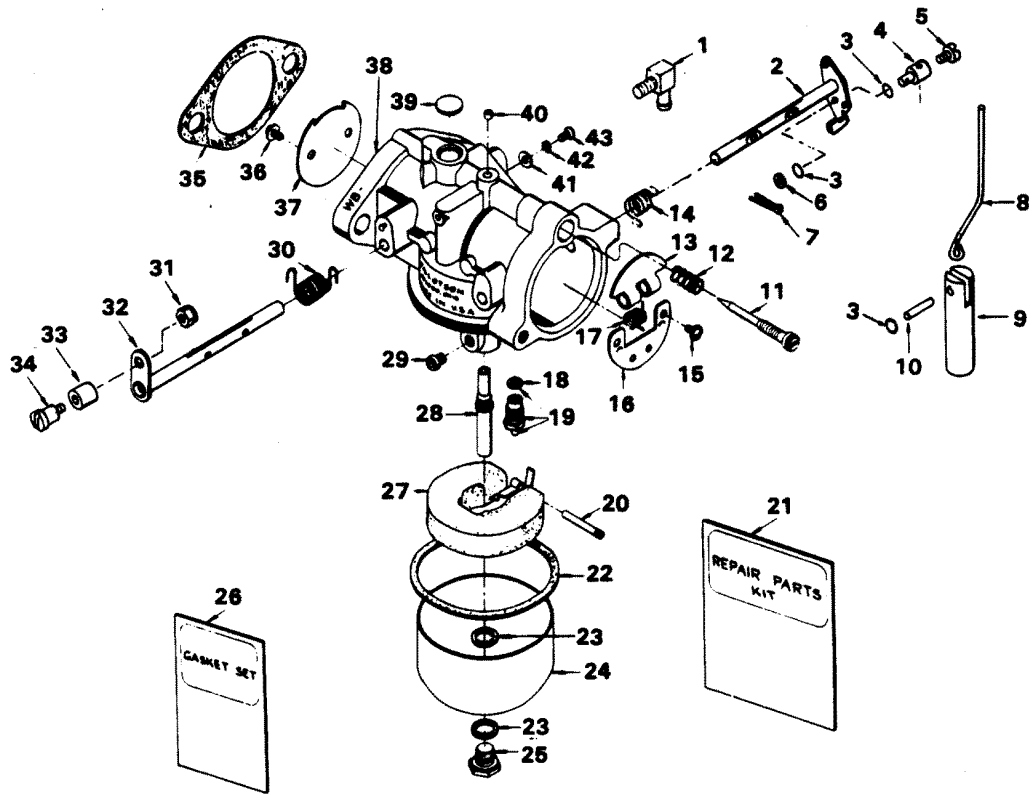
FUEL PUMP



FUEL PUMP

REF. NO.	PART NO.	SYM.	QTY.	DESCRIPTION
1	FA439746		1	FUEL PUMP COVER W/LITERATURE
2	F1110		1	SLOTTED FILL HD SCREW, 1/4 - 20 X 5/8
3	F1922		2	HEX HD SCREW, 1/4 - 20 X 5/8
4	F438760		1	FUEL PUMP GASKET
5	F84314-2		1	ELBOW
6	F434758		1	FUEL PUMP IMPULSE HOSE
7	F438747		1	FUEL PUMP DIAPHRAGM
8	F1860		2	SLOTTED BINDING HD SCREW, 6 - 32 X 1/4
9	F177330		3	FUEL PUMP VALVE
10	F84792		3	FUEL PUMP VALVE GASKET
11	FA438431		1	FUEL PUMP BODY W/ILLUS. 8, 9 & 10
12	F1108		6	FILL HD SCREW W/SPRING LOCKWASHER, 1/4 - 20 X 3/4
13	F438801		1	ELBOW
14	F97772		2	FUEL LINE CLAMPS
15	F438617		1	FUEL SEDIMENT BOWL GASKET
16	F438653		1	FUEL PUMP SCREEN
17	F434754		1	FUEL LINE, PUMP TO CARBURETOR
18	F438500		1	FUEL SEDIMENT BOWL
19	F438165		1	SCREW, FUEL BOWL

CARBURETOR

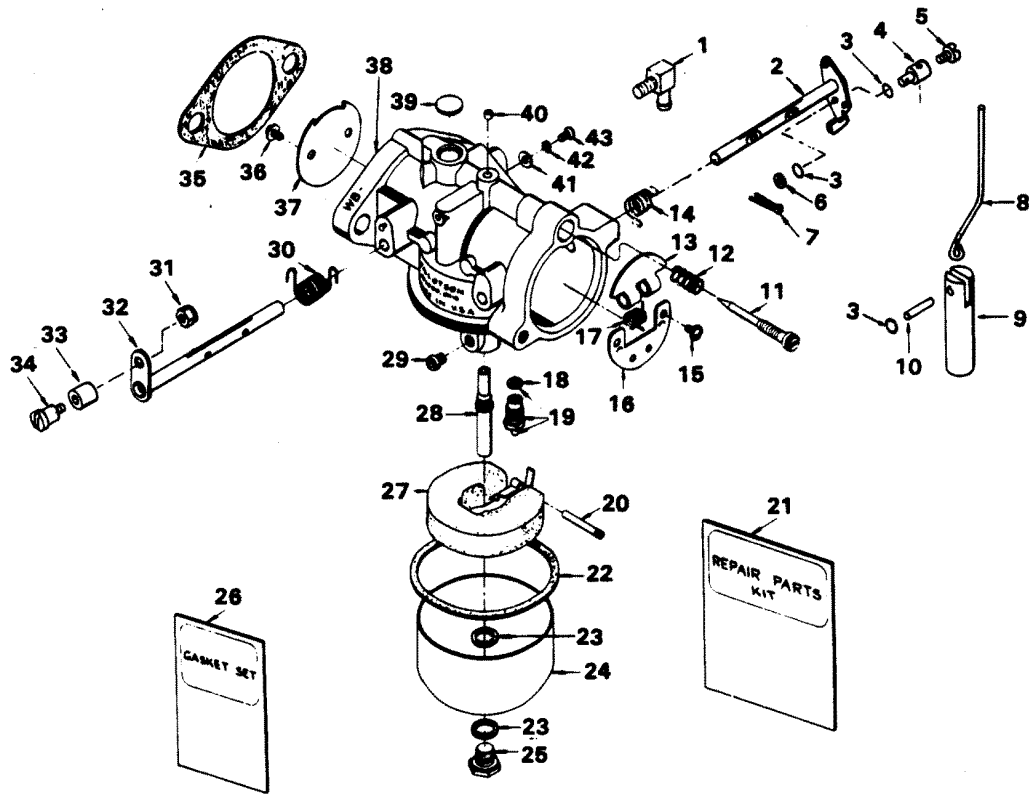


CARBURETOR

REF. NO.	PART NO.	SYM.	QTY.	DESCRIPTION
1	F84314-2		1	ELBOW, FUEL LINE CARBURETOR
2	FO16383		1	CHOKE SHAFT AND LEVER
3	F184579		3	SEAL, CHOKE ARM SWIVEL
4	F184033-1		1	SWIVEL, CHOKE ROD
5	F1059		1	FILL HD SCREW, 6 - 32 X 1/4
6	F8088		2	PLAIN WASHER
7	F1014		1	COTTER PIN
8	F452925		1	CHOKE SOLENOID ROD
9	F391926-1		1	CHOKE SOLENOID PLUNGER
10	F2033		1	GROOVE PIN
11	FO13946		1	IDLE MIXTURE SCREW
12	FO11103		1	IDLE MIXTURE SCREW SPRING
13	FO15725		1	CHOKE RELIEF VALVE
14	FO16385		1	CHOKE SHAFT RETURN SPRING
15	FO10280		2	CHOKE SHUTTER RETAINING SCREW AND LOCKWASHER
16	FO15724		1	CHOKE SHUTTER
17	FO10883		1	CHOKE RELIEF VALVE SPRING
18	FO10165		1	INLET SEAT GASKET
19	FO10790		1	INLET NEEDLE, SEAT AND GASKET
20	FO13944		1	FLOAT LEVER PIN
21	F10057		1	REPAIR PARTS KIT. INCLUDES ALL ITEMS MARKED WITH AN ASTERISK (*)
22	FO15623		1	FUEL BOWL GASKET
23	FO2510		2	FUEL BOWL RETAINING SCREW GASKET
24	FO13552		1	FUEL BOWL
25	FO13945		1	FUEL BOWL RETAINING SCREW
26	FK10000		1	GASKET SET. INCLUDES ALL ITEMS MARKED WITH A DOUBLE ASTERISK (**)
27	FO13554		1	FLOAT
28	FO17355		1	MAIN NOZZLE
29	FO14302		1	MAIN FUEL JET .084 - STD.
-	FO14109		-	MAIN FUEL JET .082 - OPT. - 1250 - 3750 FT.
-	FO13194		-	MAIN FUEL JET .080 - OPT. - 3750 - 6250 FT.
-	FO14306		-	MAIN FUEL JET .078 - OPT. - 6250 - 8250 FT.
30	FO14292		1	THROTTLE SHAFT RETURN SPRING
31	F1997		1	STOP NUT, 8 - 32
32	FO15728		1	THROTTLE SHAFT AND LEVER
33	F92759		1	ROLLER
34	F333316		1	THROTTLE ROLLER SHAFT
35	F40906-1		1	FLANGE GASKET
36	FO8942		2	THROTTLE SHUTTER RETAINING SCREW AND LOCKWASHER
37	FO16340		1	THROTTLE SHUTTER
38	F434061-3		1	CARBURETOR - COMPLETE (WB16D)

CONTINUED ON NEXT PAGE ➡

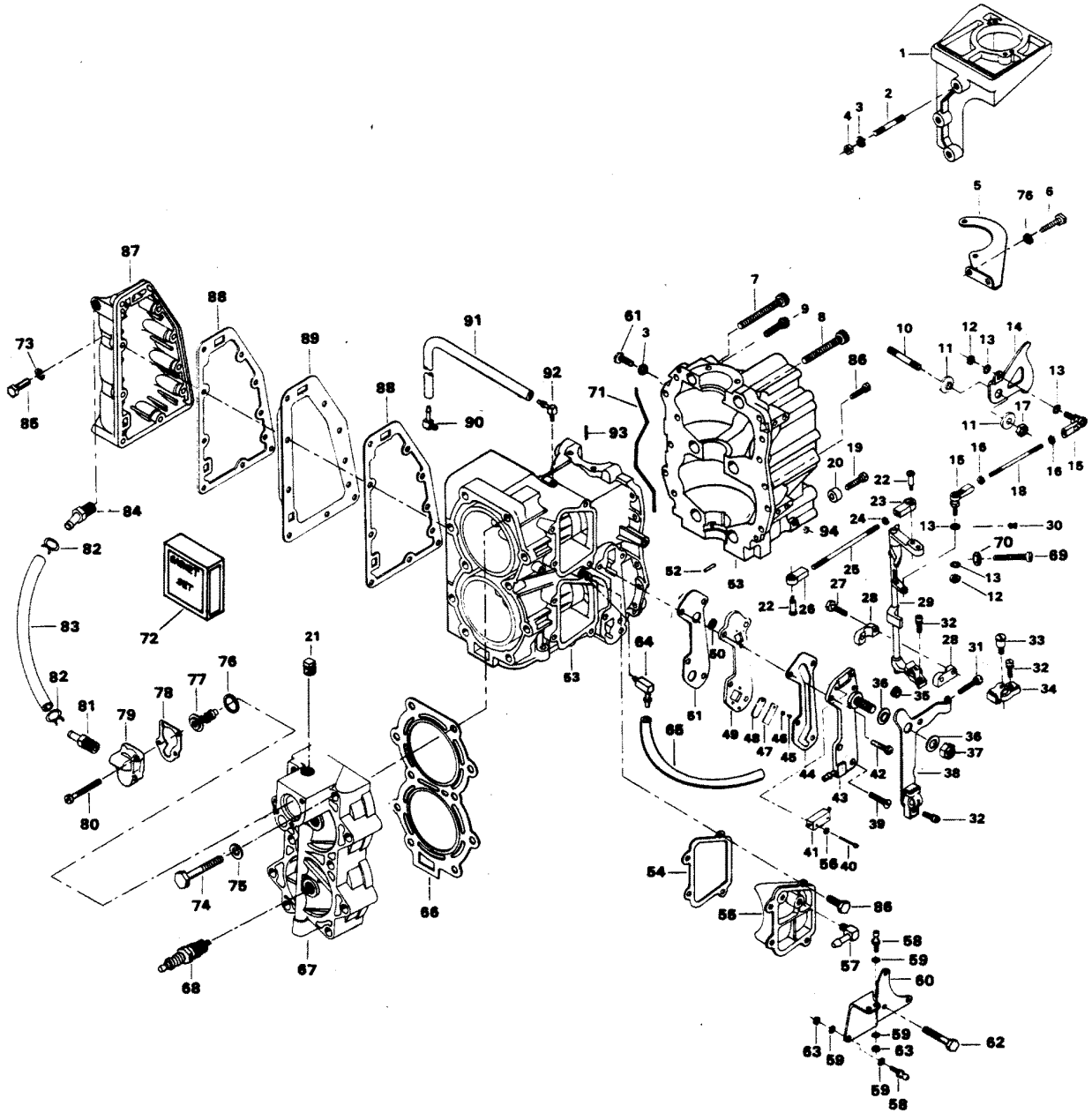
CARBURETOR



CARBURETOR

REF. NO.	PART NO.	SYM.	QTY.	DESCRIPTION
39	FO4326		1	BODY CHANNEL WELCH PLUG
40	FO10588		1	BODY CHANNEL CUP PLUG
41	FO3804		1	THROTTLE SHAFT POSITION RETAINING SCREW WASHER
42	FO6396		1	THROTTLE SHAFT POSITION RETAINING SCREW LOCKWASHER
43	FO6393		1	THROTTLE SHAFT POSITION RETAINING SCREW

POWER HEAD

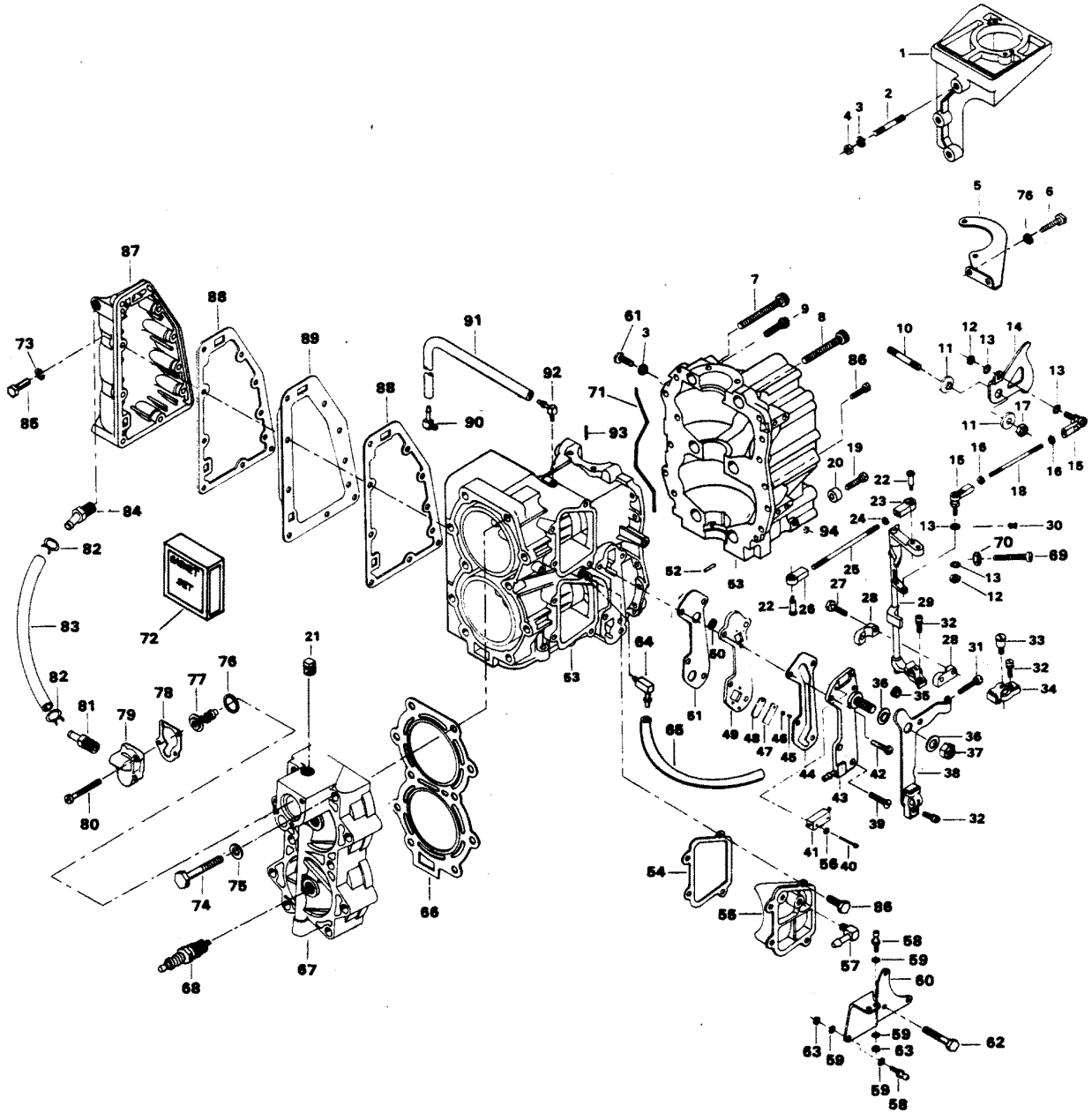


POWER HEAD

REF. NO.	PART NO.	SYM.	QTY.	DESCRIPTION
1	F345427-1		1	BRACKET, STARTER MOUNTING
2	F307211		3	STUD
3	F8096		4	SPRING LOCKWASHER
4	F1515		3	HEX NUT, 5/16 - 18
5	F433675		1	STARTER MOUNTING BRACKET - LOWER
6	F1854		2	HEX SLOT HD SCREW, 1/4 - 20 X 5/8
7	F1646		1	HEX SOCKET HD CAP SCREW, 3/8 - 16 X 2 1/4
8	F1879		5	HEX SOCKET HD CAP SCREW, 3/8 - 16 X 1 5/8
9	F1864		9	HEX HD SCREW, 1/4 - 20 X 3/4
10	F433209-1		1	STUD, THROTTLE CAM
11	F269319		2	THROTTLE CAM BEARING
12	F1513		2	HEX NUT, 10 - 32
13	F8058		4	INTERNAL TOOTH LOCKWASHER
14	F433192		1	THROTTLE CAM
15	817747--1		2	BALL JOINT W/BEARING
16	F1513		2	HEX NUT, 10 - 32
17	F1910		1	ELASTIC STOP NUT, 1/4 - 20
18	F85502		1	THROTTLE LINK
19	F1134		2	FILL HD SCREW, 8 - 32 X 1 1/8
20	F307942-1		2	BUMPER
21	F328109		1	PLUG
22	F84026		2	SPARK CONTROL SWIVEL
23	F84036		1	SPARK CONTROL BEARING, L.H.
24	F1473		1	HEX NUT, 10 - 24
25	F269445-1		1	SPARK CONTROL LINK
26	F84035-2		1	SPARK CONTROL BEARING, R.H.
27	F1995		4	FILL HD SCREW, 10 - 24 X 1
28	F433689		4	TOWERSHAFT BEARING
29	FK433838		1	TOWERSHAFT W/ILLUS. 33, 34, 72, 73
30	F1727		1	PLASTIC RIVET
31	F1969		1	FILL HD SCREW, 1/4 - 20 X 3/4
32	F1556		2	FILL HD SCREW W/LOCKWASHER, 10 - 24 X 3/8
33	F405457		2	PIVOT SCREW
34	FK405020		1	SWIVEL W/NUT AND ILLUS. 33
35	F85610		1	BEARING
36	F269052		2	SHIFT ARM BEARING
37	F7004		1	STOP NUT, 7/16 - 20
38	817793A1		1	SHIFT ARM W/CLAMP AND SWIVEL
39	F1136		2	FLAT HD SCREW, 1/4 - 20 X 1
42	F1446		2	SLOTTED PAN HD SCREW, 1/4 - 20 X 1
43	FA433471		1	CYLINDER DRAIN COVER W/FITTING
44	F93472-1		1	CYLINDER DRAIN COVER GASKET
45	F1286		2	PAN HD SCREW, 4 - 40 X 3/16

CONTINUED ON NEXT PAGE ➡

POWER HEAD

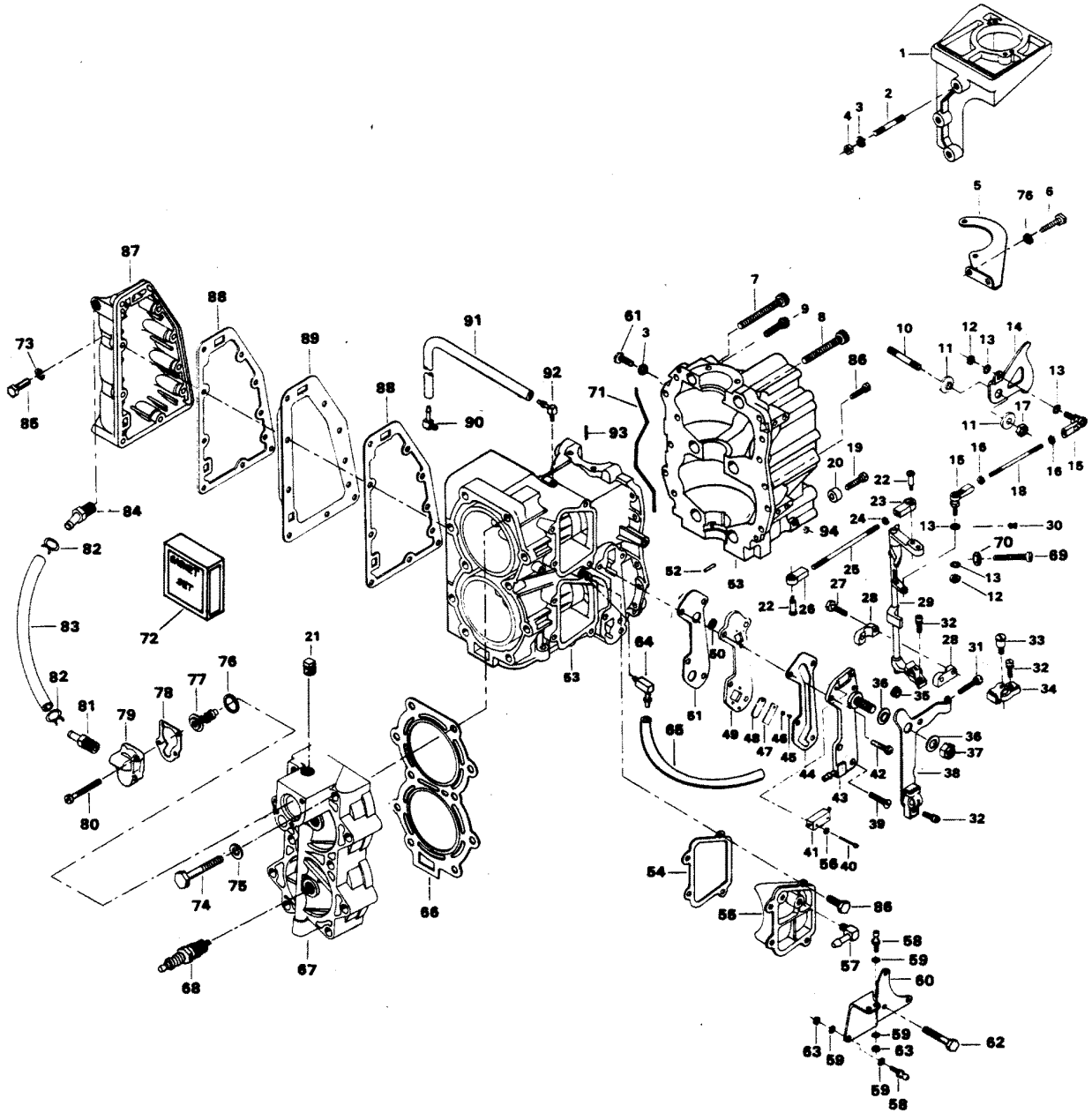


POWER HEAD

REF. NO.	PART NO.	SYM.	QTY.	DESCRIPTION
46	F8003		2	PLAIN WASHER
47	F93920		2	CYLINDER DRAIN REED STOP
48	F18160-2		2	REED, CYLINDER DRAIN
49	F2A433757		1	CYLINDER DRAIN REED PLATE W/ILLUS. 45, 46, 47, 48 AND 50
50	F93811		2	SCREEN CYLINDER DRAIN REED PLATE
51	F93748-1		1	CYLINDER DRAIN REED PLATE GASKET
52	F8559		2	DOWEL PIN
53	FA464010		1	CYLINDER W/CRANKCASE COVER, DEFLECTOR PLATE ILLUS 7, 8, 52, 71 AND 93
-	FC464010		1	SHORT BLOCK. INCLUDES ALL ITEMS MARKED WITH AN ASTERISK (*). ALSO REFER TO CRANKSHAFT PAGE.
54	F40223		2	TRANSFER PORT COVER GASKET
55	FA411222		1	TRANSFER PORT COVER W/LITERATURE
57	F84314-2		1	ELBOW, FUEL LINE
58	F98273		2	ROD END CONNECTOR STUD
59	F8058		4	INTERNAL TOOTH LOCKWASHER
60	817746A1		1	CONNECTOR STUD BRACKET W/LITERATURE ORIGINAL FORCE P/N A 267371-1
61	F1857		1	HEX CAP SCREW, 5/16 - 18 X 5/8
62	F1864		3	HEX CAP SCREW, 1/4 - 20 X 3/4
63	F1513		2	HEX NUT, 10 - 32
64	F404801		1	ELBOW
65	F433254		1	HOSE
66	F201529-1		1	CYLINDER HEAD GASKET
67	900-818049A2		1	CYLINDER HEAD
68	33-82371M		2	SPARK PLUG (UL-81J)
-	C235227		2	SPARK PLUG (RL-82) CANADA ONLY
69	F1052		1	FILL HD SCREW, 1/4 - 20 X 1
70	F1341		1	HEX NUT
71	F269122-1		1	CRANKCASE PARTING LINE SEAL
72	FG1007-1		1	GASKET SET. INCLUDES ITEMS LISTED BELOW:
-	F40154-3		3	GASKET, EXHAUST PORT PLATE
-	F40223		1	GASKET, TRANSFER PORT COVER
-	F40833-4		1	GASKET, IDLE RELIEF COVER
-	F40906-1		1	GASKET, CARBURETOR
-	F93472-1		1	GASKET, CYLINDER DRAIN COVER
-	F93748-1		1	GASKET, CYLINDER DRAIN REED PLATE
-	F97067		1	GASKET, THERMOSTAT COVER
-	F201529-1		1	GASKET, CYLINDER HEAD
-	F269122-1		1	CRANKCASE PARTING LINE SEAL
-	F307279-2		1	GASKET, CYLINDER EXHAUST - UPPER
-	F40279-1		1	GASKET, CYLINDER EXHAUST - LOWER
-	F311996		1	GASKET, CYLINDER HEAD COVER

CONTINUED ON NEXT PAGE ➡

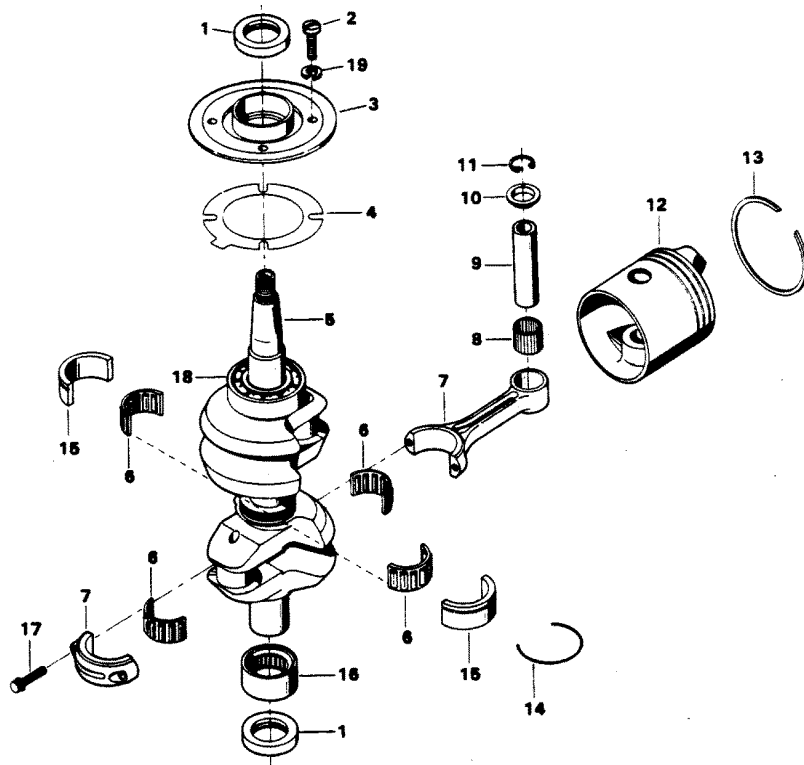
POWER HEAD



POWER HEAD

REF. NO.	PART NO.	SYM.	QTY.	DESCRIPTION
-	F366277		1	GASKET, BEARING CAGE
-	F433168		1	GASKET, CARBURETOR ADAPTER
-	F433406		1	GASKET, DEFLECTOR PLATE
73	F8083		11	SPRING LOCKWASHER
74	F1544		10	HEX HD CAP SCREW, 3/8 - 16 X 2 1/4
75	F2014		10	PLAIN WASHER
76	F97504		1	GROMMET, THERMOSTAT
77	F97068-1		1	THERMOSTAT
78	F97067		1	THERMOSTAT COVER GASKET
79	F97066-1		1	THERMOSTAT COVER
80	F1995		3	FILL HD SCREW, 10 - 24 X 1 1/16
81	F97275		1	FITTING, THERMOSTAT
82	F97772		2	CLAMP
83	FA97247		1	WATER TUBE, THERMOSTAT W/LITERATURE
84	F141275		1	FITTING, THERMOSTAT
85	F1971		9	HEX HD SCREW, 1/4 - 20 X 2 1/8
86	F1922		4	HEX HD SCREW, 1/4 - 20 X 5/8
87	FA433152		1	EXHAUST PORT COVER W/ILLUS. 85
88	F40154-3		2	EXHAUST PORT PLATE GASKET
89	F40151-1		1	EXHAUST PORT PLATE
90	F463314		1	ELBOW
91	FS433758		1	HOSE W/VALVE
92	22-817740A1		1	ELBOW ASSEMBLY
93	F8545		1	SPRING PIN
94	F1997		2	STOP NUT, 8 - 32
95	F1525		1	WELCH PLUG, CYLINDER HEAD (NOT SHOWN)
96	F1526		1	WELCH PLUG, CYLINDER HEAD (NOT SHOWN)

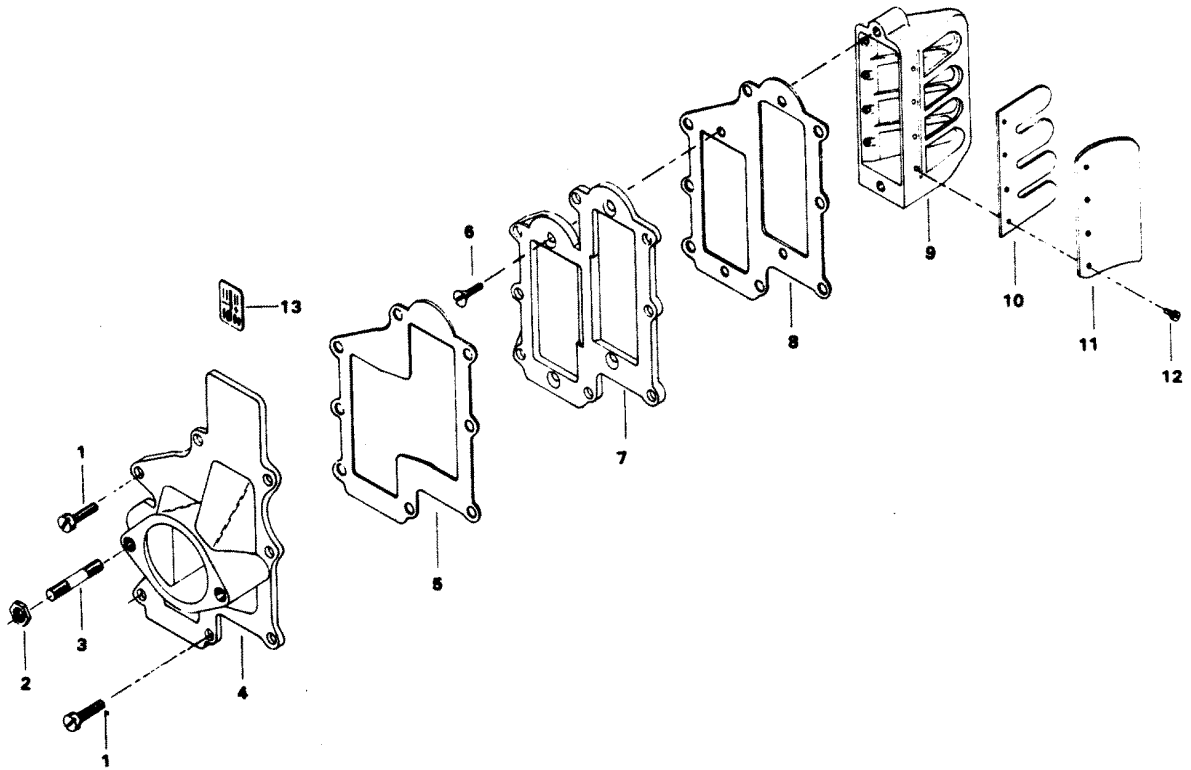
CRANKSHAFT AND PISTON GROUP



CRANKSHAFT AND PISTON GROUP

REF. NO.	PART NO.	SYM.	QTY.	DESCRIPTION
1	F40146-1		2	CRANKSHAFT SEAL
2	F1441		4	PAN HD SCREW, 1/4 - 20 X 7/8
3	FA466144		1	CRANKSHAFT BEARING CAGE W/ILLUS. 1
4	F366277		1	BEARING CAGE GASKET
5	FA545018		1	CRANKSHAFT W/ILLUS. 18
6	FK85228-1		3	BEARING CAGE W/ROLLERS (16 PER SET)
7	600-818052A4		2	CONNECTING ROD W/CAP AND SCREWS
8	F335217-1		2	BEARING
9	F40017-2		2	PISTON PIN
10	F366215		4	SPACER
11	F428096		4	RETAINER, PISTON PIN
12	F486015		2	PISTON
-	FSA486015		2	PISTON .010 OVERSIZE
-	700-818124A1		2	PISTON .030 OVERSIZE
13	FA354260		1	PISTON RING SET (6 PER SET)
-	FS310260		1	PISTON RINGS (6 PER SET) .010 OVERSIZE
-	39-818113A1		1	PISTON RINGS (6 PER SET) .030 OVERSIZE
14	F40410		1	SNAP RING
15	FA40655		1	CRANKSHAFT CENTER MAIN BEARING RACE W/ILLUS. 14
16	F90014		1	CRANKSHAFT LOWER MAIN BEARING
17	F85634-2		4	CONNECTING ROD SCREW
18	F366013		1	CRANKSHAFT THRUST BEARING UPPER
19	F8060		4	EXTERNAL TOOTH LOCKWASHER

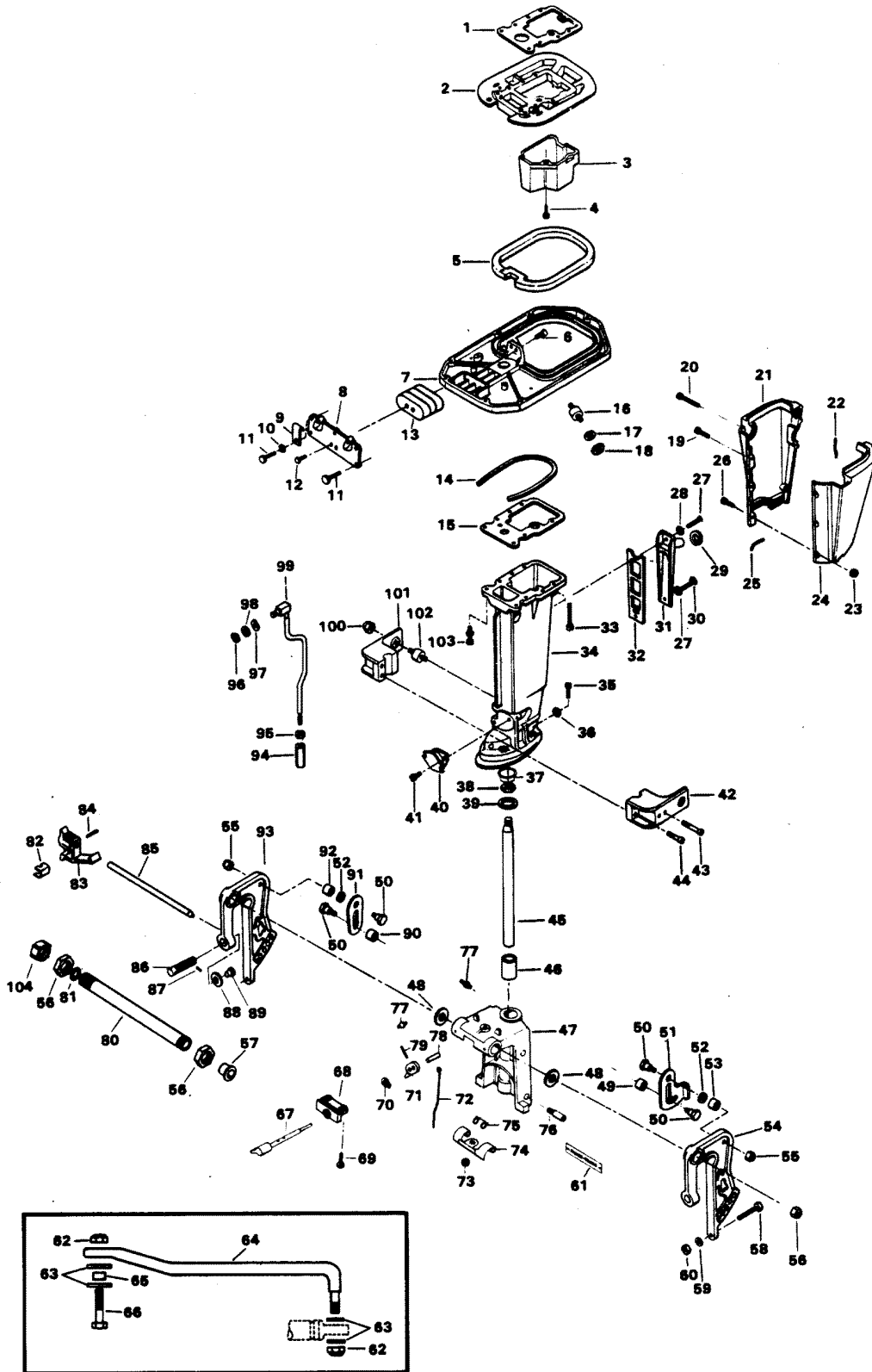
REED PLATE



REED PLATE

REF. NO.	PART NO.	SYM.	QTY.	DESCRIPTION
1	F2008		8	HEX HD SCREW, 1/4 - 20 X 7/8
2	F1515		2	HEX NUT, 5/16 - 18
3	F40209		2	CARBURETOR STUD
4	FA433167		1	CARBURETOR ADAPTER FLANGE W/ILLUS. 3
5	F433168		1	CARBURETOR ADAPTER GASKET
6	F1141		4	FLAT HD SCREW, 10 - 24 X 1/2
7	F433404		1	DEFLECTOR PLATE
8	F433406		1	DEFLECTOR PLATE GASKET
9	FA433158		2	REED PLATE W/ILLUS. 10, 11 AND 12
10	F335160		4	REED
11	F88161-3		4	REED STOP
12	F1755		16	ROUND HD SCREW W/LOCKWASHER, 6 - 32 X 1/4
13	37-817792A1		1	DECAL, TIMING W/LITERATURE ORIGINAL FORCE P/N A 433387-1

MOTOR LEG

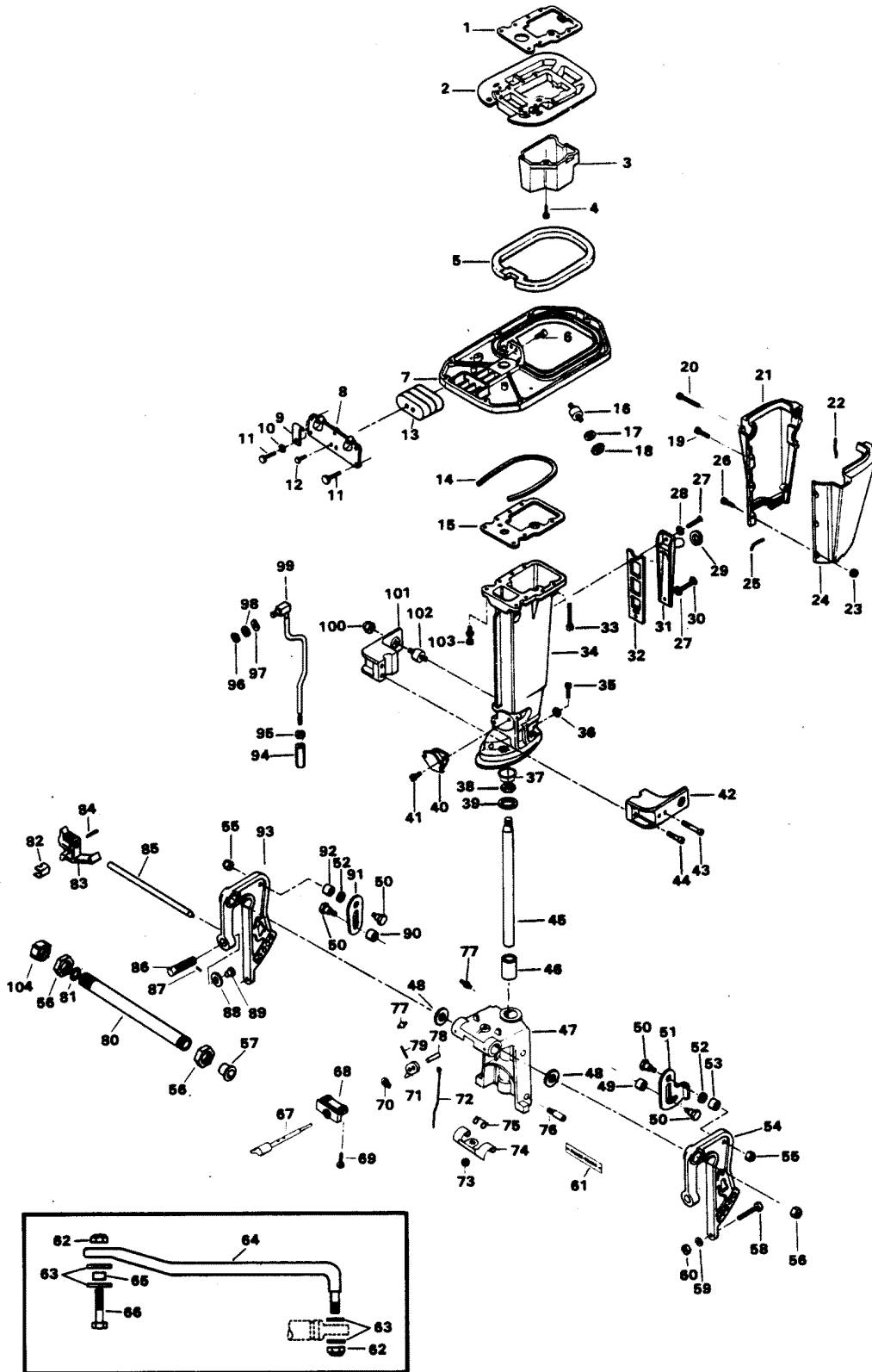


MOTOR LEG

REF. NO.	PART NO.	SYM.	QTY.	DESCRIPTION
1	F307279-2		1	CYLINDER EXHAUST GASKET UPPER
2	F433680		1	SPACER PLATE
3	F307660-1		1	LEG EXHAUST TUBE
4	F1851		3	FILL HD M. SCREW W/LOCKWASHER, 10 - 24 X 1/2
5	26-817766A1		1	SEAL, KINGPIN PLATE W/LITERATURE ORIGINAL FORCE P/N A 307989-1
6	F1160		2	FLAT HD SCREW, 1/4 - 28 X 5/8
7	FS307940		1	KINGPIN PLATE
8	F433946		1	SHOCK MOUNT UPPER COVER
9	F286772-1		1	CLAMP
10	F8025		1	PLAIN WASHER
11	F1922		5	HEX CAP SCREW, 1/4 - 20 X 5/8
12	F1211		2	HEX HD SCREW W/LOCKWASHER, 1/4 - 28 X 5/8
13	F203965		1	SHOCK MOUNT UPPER
14	F89025		1	DAMPENING PAD
15	F40279-1		1	CYLINDER EXHAUST GASKET LOWER
16	F307962		2	SHOCK MOUNT - SIDE - UPPER
17	F8038		2	PLAIN WASHER
18	F1346		2	HEX NUT, 3/8 - 16
19	F1768		2	FILL HD SCREW, 10 - 24 X 1 3/8
20	F1767		1	FILL HD SCREW, 10 - 24 X 3
21	FA435145		1	LEG COVER - STARBOARD WITH PACKING
22	F435323		2	PACKING, LEG COVER - UPPER
23	F1473		6	HEX NUT, 10 - 24
24	FA435135		1	LEG COVER - PORT - W/PACKING
25	F435323		2	PACKING, LEG COVER - LOWER
26	F1733		3	FILL HD SCREW, 10 - 24 X 9/16
27	F1849		1	HEX HD SCREW, S.S., 1/4 - 20 X 1 3/8
28	F8083		2	SPRING LOCKWASHER
29	F89504		1	GROMMET, MOTOR LEG
30	F1199		1	HEX HD SCREW, 1/4 - 20 X 1
31	FA89832-2		1	MOTOR LEG EXHAUST COVER W/ILLUS. 27 & 30
32	F40833-4		1	MOTOR LEG EXHAUST COVER GASKET
33	F1905		1	FILL HD SCREW, 1/4 - 20 X 3 7/16
34	F435133-1		1	MOTOR LEG
35	F1929		4	HEX HD CAP SCREW, S.S., 3/8 - 16 X 1 1/8
36	F8065		4	SPRING LOCKWASHER
37	F1880		1	PLASTIC PLUG
38	F84280		1	KINGPIN NUT
39	F89011		1	SWIVEL BRACKET WASHER
40	F183346-1		1	SHOCK MOUNT LOWER
41	F1129		4	FILL HD SCREW, S.S., 5/16 - 18 X 1/2
42	F433973		1	SHOCK MOUNT LOWER COVER - PORT

CONTINUED ON NEXT PAGE ➡

MOTOR LEG

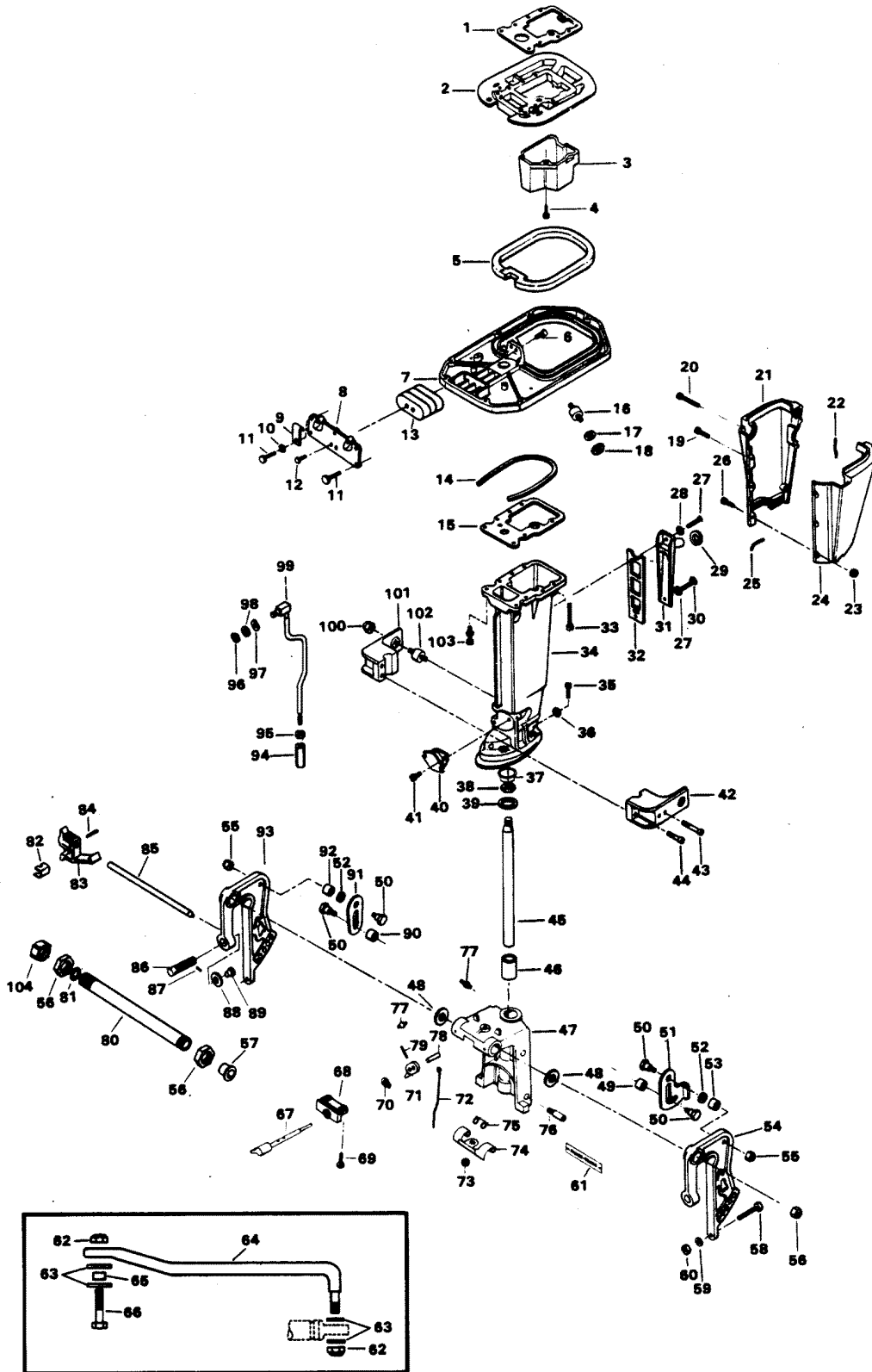


MOTOR LEG

REF. NO.	PART NO.	SYM.	QTY.	DESCRIPTION
43	F1635		2	HEX SOCKET HD CAP SCREW, S.S., 3/8 - 16 X 3 1/2
44	F1636		2	HEX SOCKET HD CAP SCREW, S.S., 3/8 - 16 X 1 1/4
45	FA433019		1	KINGPIN WILLUS. 37
46	F191169-1		2	SWIVEL BRACKET BEARING
47	FA545072		1	SWIVEL BRACKET WILLUS. 46 & 77
48	F522286		2	STERN BRACKET FRICTION WASHER
49	F269929		1	SPACER, TILT STOP
50	F366350		4	TILT STOP PIVOT
51	F366426		1	TILT STOP - PORT
52	F1666		2	BOWED SPRING WASHER
53	F269929		1	SPACER, TILT STOP
54	F522532		1	STERN BRACKET - PORT
55	F7007		4	NUT
56	F1600		2	LOCK NUT, PIVOT TUBE
57	F9052		1	PLASTIC PLUG, PIVOT TUBE
58	F1593		2	HEX HD SCREW, S.S., 3/8 - 16 X 3
59	F1904		2	PLAIN WASHER
60	F1346		2	HEX NUT, S.S., 3/8 - 16
61	F544390-1		1	DECAL, TILT LOCK
62	F2093		2	STOP NUT 3/8 - 24
63	F8038		4	PLAIN WASHER
64	F5H141		1	LINK, STEERING WILLUS 62, 63, 65 AND 66
65	F522359		1	SPACER, STEERING LINK
66	F2073		1	HEX CAP SC 3/8 - 24 X 1-5/8
67	F366827		1	HANDLE AND SHAFT
68	F522884		1	BEARING
69	F1733		2	PAN HD SCREW, 10 - 24 X 9/16
70	F522741		1	RING, RETAINING-REV. LOCK SHAFT
71	F366364		1	ARM
72	F366510-1		1	LINK
73	F1669		1	STOP NUT
74	F366349		1	REVERSE LOCK
75	F366300		2	REVERSE LOCK SPRING
76	F366866		2	PIN
77	F213274		3	GREASE FITTING
78	F483884		1	BEARING
79	F1836		1	SPRING PIN
80	F522125-1		1	TUBE, PIVOT STEERING
81	F316599		1	SEAL, PIVOT TUBE
82	F286461		1	SPRING LOCK BAR HANDLE
83	F433114		1	HANDLE, LOCK BAR
84	F1744		1	SPRING PIN
85	FA433113		1	STERN BRACKET LOCK BAR WILLUS. 82, 83 & 84

CONTINUED ON NEXT PAGE ➡

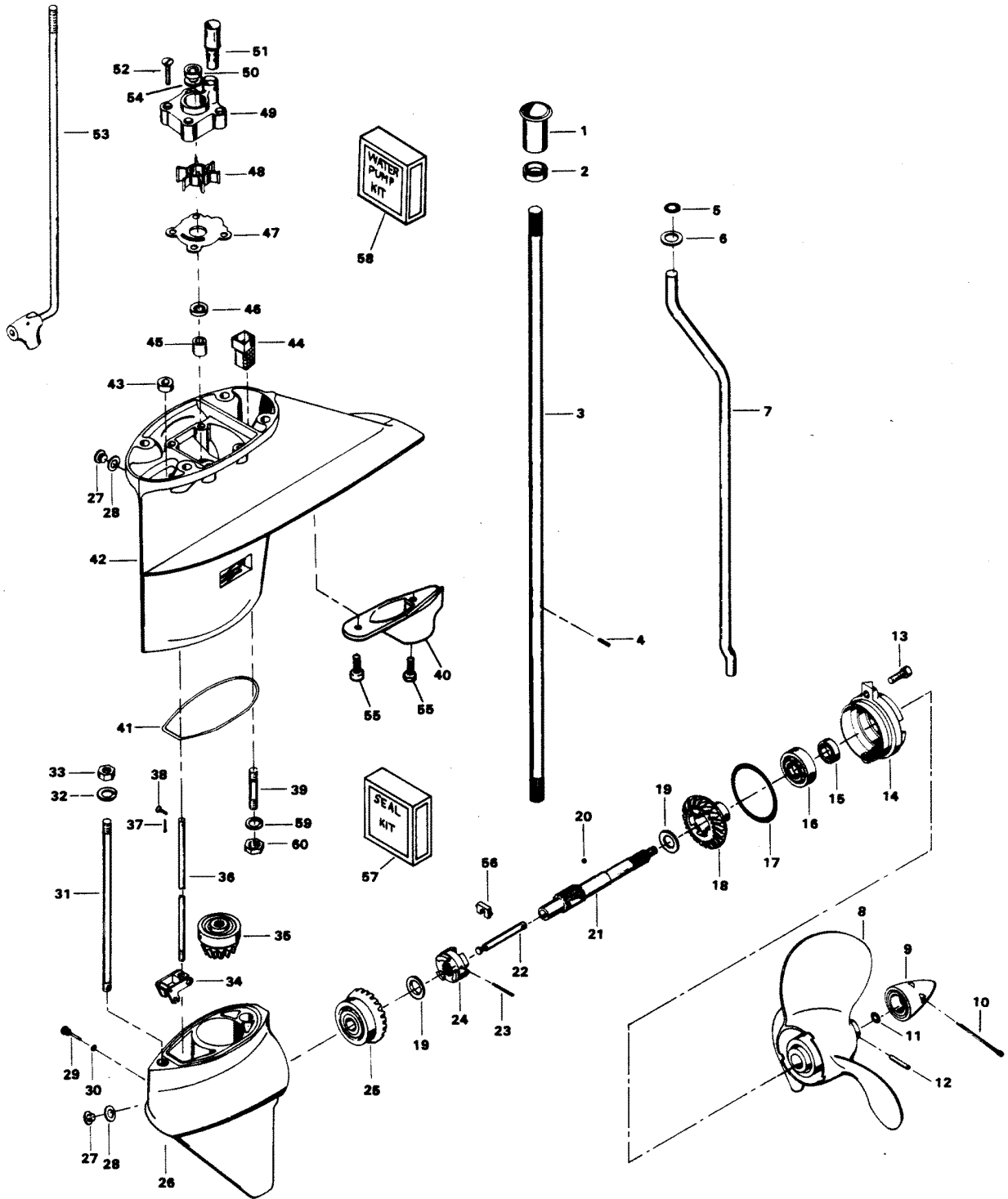
MOTOR LEG



MOTOR LEG

REF. NO.	PART NO.	SYM.	QTY.	DESCRIPTION
86	F474073-1		2	CLAMP SCREW
87	F8538		2	SPRING PIN
88	F24074		2	CLAMP SCREW FOOT
89	F353480		2	STUD
90	F269929		1	SPACER, TILT STOP
91	F366433		1	TILT STOP, STARBOARD
92	F269929		1	SPACER, TILT STOP
93	F522032		1	STERN BRACKET - STARBOARD
94	F141704		1	GEAR SHIFT ROD COUPLING
95	F1349		1	HEX NUT, S.S., 5/16 - 18
96	F185764		1	RETAINING RING
97	F8049		1	BOWED SPRING WASHER
98	F1987		1	PLAIN WASHER
99	F307615		1	GEAR SHIFT ROD UPPER
100	F1326		2	ACORN NUT, S.S., 5/16 - 18
101	F433972		1	SHOCK MOUNT LOWER COVER - STARBOARD
102	F215962		2	SHOCK MOUNT SIDE LOWER
103	F1947		8	FLANGED 12 POINT SCREW, 5/16 - 18 X 2
104	F9018		1	PLASTIC CAP, PIVOT TUBE

GEAR HOUSING

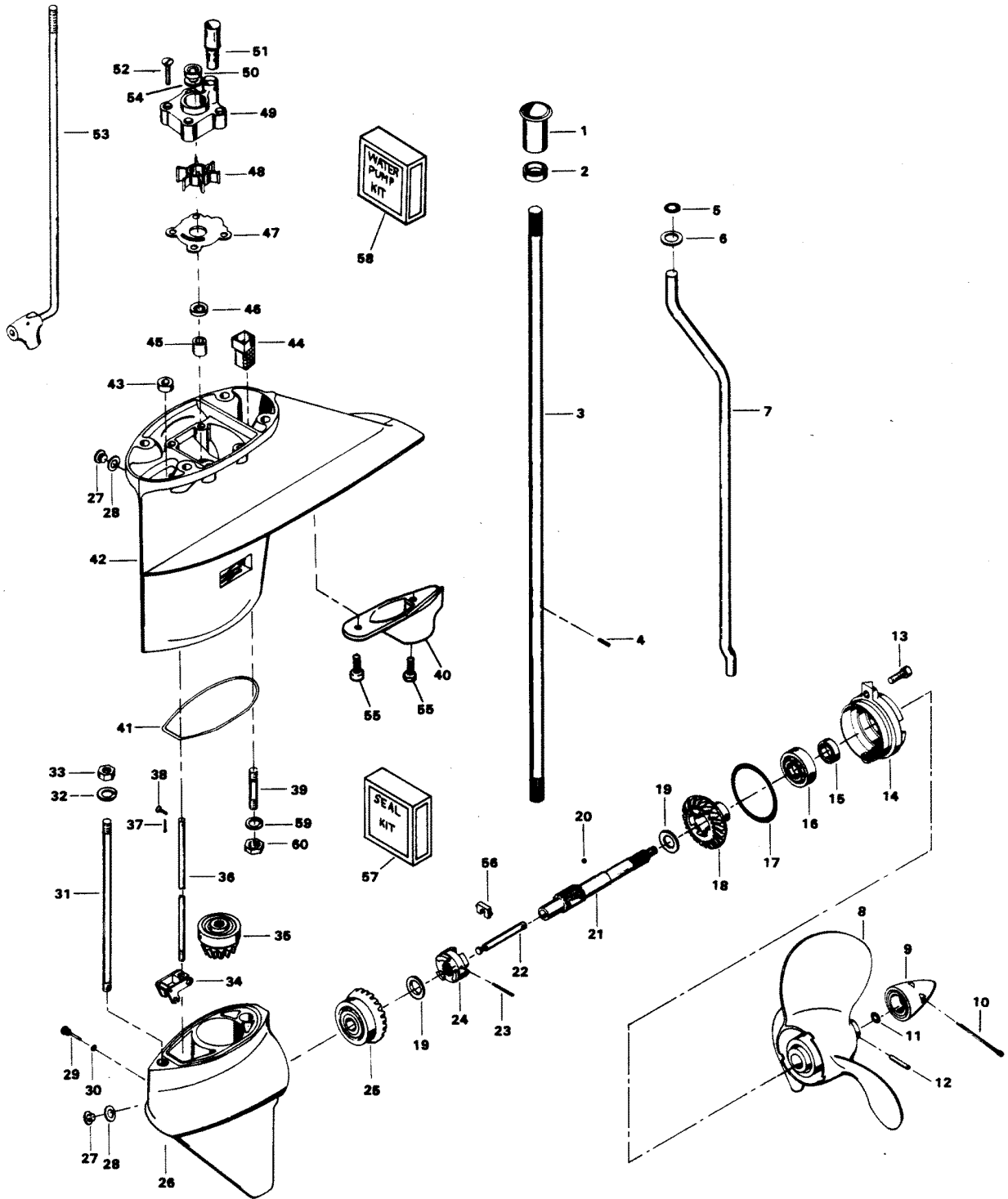


GEAR HOUSING

REF. NO.	PART NO.	SYM.	QTY.	DESCRIPTION
1	F338129-1		1	SEAL, DRIVESHAFT SPLINE
2	F338271		1	RETAINER
3	FA89128-1		1	DRIVESHAFT WILLUS. 2
4	F901563		1	DRIVE PIN, WATER PUMP IMPELLER
5	F40342		1	SEAL
6	F8042		1	PLAIN WASHER
7	F435244		1	INLET WATER LINE
8	FP293		1	PROPELLER (ACCESSORY ITEM)
9	FA94094-2		1	PROPELLER NUT WILLUS. 10 AND 11
10	F1027		1	COTTER PIN, S.S., 1/8 - 1/2
11	F40342		1	SEAL, PROPELLER NUT
12	FK247		1	PROPELLER PIN, PACK OF 6 WILLUS. 10
13	F1263		2	HEX SOCKET HD CAP SCREW, S.S., 5/16 - 18 X 9/16
14	F2A366298		1	PROPELLER SHAFT BEARING CAGE. INCLUDES ITEMS 15, 16 AND 17
15	F141118		1	SEAL, PROPELLER SHAFT
16	F366058		1	BALL BEARING, PROPELLER SHAFT
17	F141305		1	SEAL, PROPELLER SHAFT BEARING CAGE
18	FA485662		1	BEVEL GEAR REAR W/BEARING
19	F40717		2	THRUST WASHER, BEVEL GEAR
20	F366727		1	BALL, PROPELLER SHAFT
21	44-819500A3		1	PROPELLER SHAFT ASSEMBLY
22	F90871-3		1	GEAR SHIFT ARM PIN
23	F2097		1	SPRING PIN
24	F99521-1		1	CLUTCH
25	FA485023		1	BEVEL GEAR FRONT W/BEARING
26	FA486054		1	GEAR HOUSING LOWER W/THRUST BEARING CUP, ILLUS. 27, 28, 29 AND 30
-	FC486054		1	GEAR HOUSING COMPLETE. INCLUDES ALL ITEMS MARKED WITH AN ASTERISK (*)
27	F50109		2	PLUG, GEAR HOUSING
28	F8077		2	WASHER, GEAR HOUSING PLUG
29	F498891		1	GEAR SHIFT ARM PIVOT PIN
30	F498618		1	SEAL, "O" RING
31	F97008-1		1	STUD, LONG
32	F8065		1	LOCKWASHER
33	F1346		1	HEX NUT, S.S., 3/8 - 16
34	817796A2		1	GEAR SHIFT ARM ASSEMBLY
35	F2A474266		1	BEVEL PINION W/BEARING
36	F435705		1	GEAR SHIFT ROD LOWER
37	F1015		1	COTTER PIN
38	F85372		1	PIN, GEAR SHIFT ROD LOWER
39	F40008		1	STUD, SHORT
40	FA435116		1	SNOUT, ANODE, EXHAUST W/LITERATURE

CONTINUED ON NEXT PAGE ➡

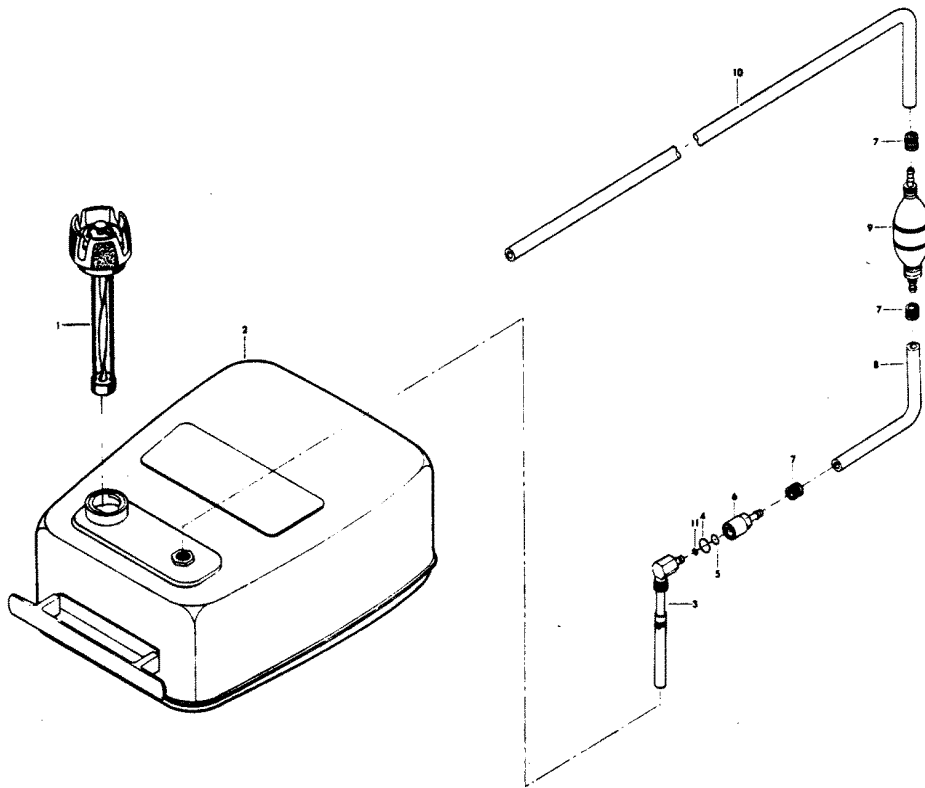
GEAR HOUSING



GEAR HOUSING

REF. NO.	PART NO.	SYM.	QTY.	DESCRIPTION
41	F435555		1	SEAL, GEAR HOUSING
42	FA545554		1	GEAR HOUSING UPPER W/ILLUS. 27, 28, 39, 40, 43, 44, 45, 46 AND 55
43	F338618-1		1	SEAL, SHIFT ROD LOWER
44	F435077		1	SCREEN, WATER INLET
45	F435057		1	BEARING, DRIVESHAFT UPPER
46	F40307-2		1	SEAL, DRIVESHAFT
47	F435562		1	WATER PUMP BACK PLATE
48	F433065-1		1	WATER PUMP IMPELLER W/INSERT
49	FA463060		1	WATER PUMP BODY W/ILLUS. 50, 51 AND 54
50	F349307		1	DRIVESHAFT SEAL - WATER PUMP
51	FA485914		1	SEAL, INLET WATER LINE, LOWER W/LITERATURE
52	F2030		4	HEX HD SCREW, S.S., 1/4 - 20 X 1 1/4
53	FA435616		1	GEAR SHIFT ROD INTERMEDIATE
54	485388		1	DISC, WATER PUMP
55	F2008		2	HEX HD M. SCREW, 1/4 - 20 X 7/8
56	F90619-1		1	YOKE
57	FK1074		1	GEAR HOUSING SEAL KIT. INCLUDES ALL ITEMS MARKED WITH A DOUBLE ASTERISK (**)
58	FK1073		1	WATER PUMP KIT
-	F2030		4	SCREW 1/4 - 20 X 1-1/4
-	F433065-1		1	IMPELLER
-	F435562		1	BACK PLATE, WATER PUMP
-	F901563		1	DRIVE PIN
-	FA463060		1	WATER PUMP BODY
59	F2014		1	PLAIN WASHER
60	F7004		1	ELASTIC STOP NUT 3/8 - 16

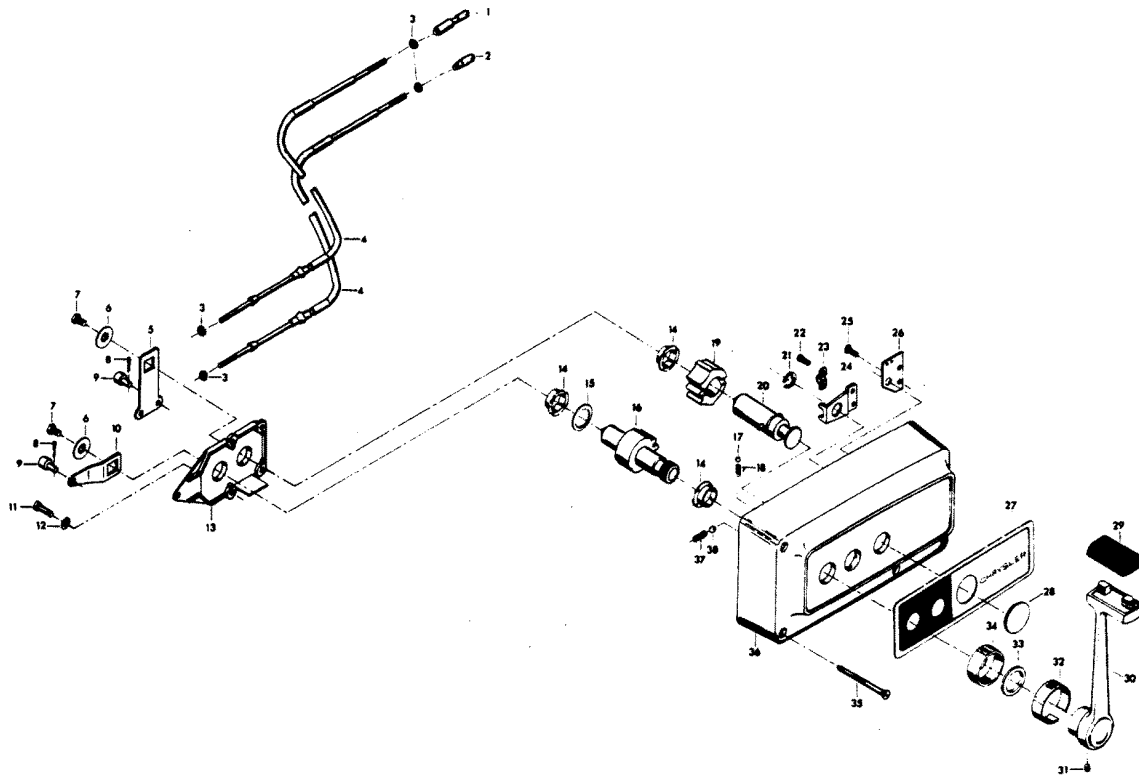
FUEL TANK AND LINE



FUEL TANK AND LINE

REF. NO.	PART NO.	SYM.	QTY.	DESCRIPTION
1	F409251-1		1	GAUGE CAP
2	F5H027		1	FUEL TANK (ACCESSORY ITEM)
3	F485755-1		1	FUEL TANK ADAPTER
4	F213342		1	SEAL, FUEL LINE COUPLER (LARGE)
5	F213735		1	SEAL, FUEL LINE COUPLER (SMALL)
6	F197787-3		1	FUEL LINE COUPLER
7	F298788		3	FERRULE
8	FA84754-1		1	FUEL LINE SHORT W/ILLUS. 7
9	89396A38		1	PRIME BULB
10	32-817738A1		1	FUEL LINE, LONG W/CLAMP AND ILLUS. 7 ORIGINAL FORCE P/N A 197752-1
11	F17932		1	SEAL, FUEL TANK ADAPTER
-	FS409752		1	FUEL LINE - COMPLETE INCLUDES ITEMS MARKED WITH AN ASTERISK (*)
-	FC409398		1	DECAL, TOTE TANK - CANADA (NOT SHOWN)

REMOTE CONTROL

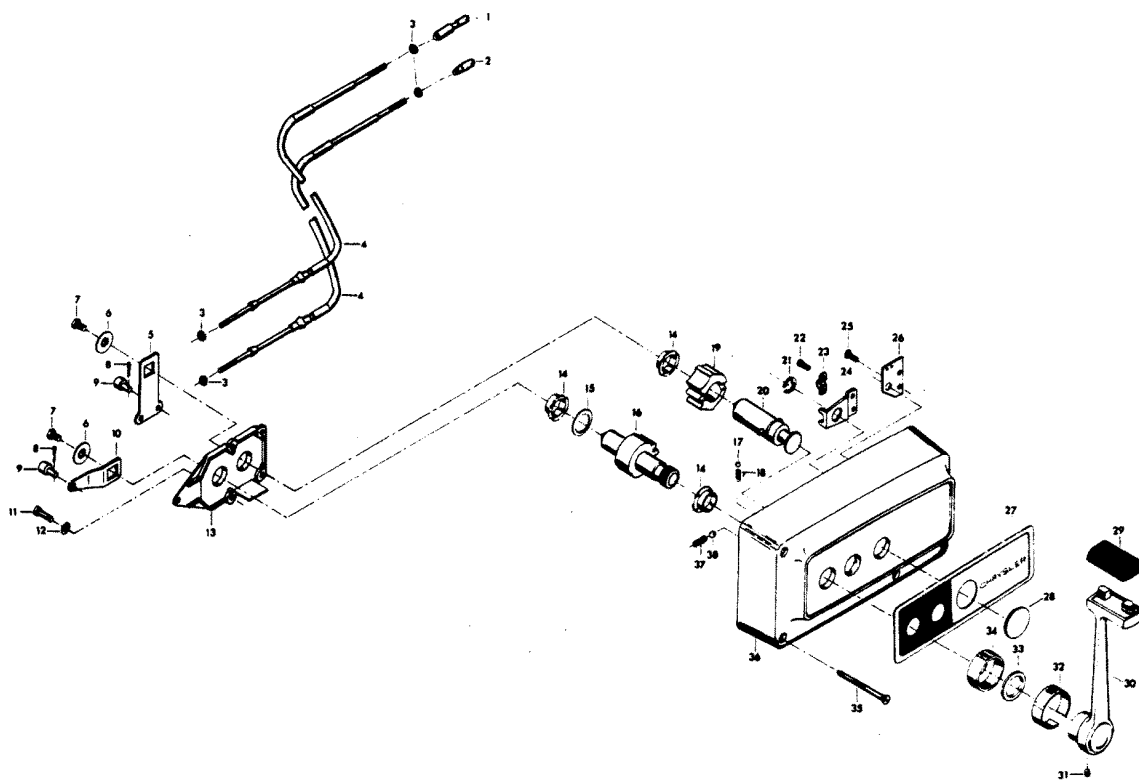


REMOTE CONTROL

REF. NO.	PART NO.	SYM.	QTY.	DESCRIPTION
1	FA58976-1		1	CONNECTOR, THROTTLE CABLE
2	F58685-2		1	CONNECTOR, SHIFT CABLE
3	F1513		4	HEX NUT
4	ÄF58356//		2	REMOTE CONTROL CABLE (SPECIFY LENGTH)
5	F17019		1	CLUTCH ARM
6	F17036		2	INTERNAL TOOTH LOCKWASHER
7	F1715		2	HEX BOLT, 1/4 - 28 X 9/16
8	F17149		2	COTTER PIN
9	F17016		2	CABLE TERMINAL
10	F17014		1	THROTTLE ARM
11	F17013		2	FILL HD SCREW, 1/4 - 20 X 1/2
12	F17147		2	INTERNAL TOOTH LOCKWASHER
13	F17012		1	RETAINING PLATE
14	F17009		3	BEARING
15	F17011		1	BOWED WASHER
16	F17010-1		1	THROTTLE GEAR
17	F17111		1	DETENT BALL
18	F17006		1	DETENT SPRING
19	F17021		1	CLUTCH GEAR
20	F17100		1	CLUTCH SHAFT
21	F17092		1	SNAP RING
22	F17071		2	FILL HD SCREW, 10 - 24 X 5/16
23	F154317		1	CABLE CLAMP
24	F17026		1	SWIVEL
25	F1557		2	FLAT HD SCREW, 10 - 24 X 3/8
26	F17112		1	JUNCTION BOARD - STARBOARD
-	F17113		1	JUNCTION BOARD - PORT
27	F17148		1	DECAL, STARBOARD
-	F531892		1	DECAL, PORT
28	F17031-1		1	SNAP CAP
29	F17116		1	KNOB
30	F17115-1		1	HANDLE
31	F17030-1		1	SET SCREW
32	FK17114-1		1	INDICATOR
33	F17105		1	FELT WASHER
34	F17106		1	COLLAR
35	F17146		3	WOOD SCREW
36	F17099		1	HOUSING

CONTINUED ON NEXT PAGE ➡

REMOTE CONTROL



REMOTE CONTROL

REF. NO.	PART NO.	SYM.	QTY.	DESCRIPTION
37	F17068		1	DETENT SPRING
38	F17082-1		1	DETENT BALL
-	F1280		2	PAN HD SCREW, 8 - 32 X 1/4 (TERMINAL BOARD) (NOT SHOWN)
-	OB3062		1	LITERATURE (NOT SHOWN). INSTALLATION INSTRUCTIONS FOR 5H130
-	F17103		1	BAG ASSEMBLY (NOT SHOWN). INCLUDES ALL ITEMS MARKED WITH AN ASTERISK (*)

SPECIAL TOOLS - TUNE-UP

REF. NO.	PART NO.	SYM.	QTY.	DESCRIPTION
-	FT8948-1		0	FLYWHEEL PULLER TO REMOVE FLYWHEEL
-	FTA2937-1		0	TIMING TOOL TO ADJUST SPARK ADVANCE
-	FT8930-1		0	FEELER GAUGE TO ADJUST BREAKER POINTS

SPECIAL TOOLS - POWER HEAD

REF. NO.	PART NO.	SYM.	QTY.	DESCRIPTION
-	FT3510		0	SEAL INSTALLER TO INSTALL UPPER CRANKSHAFT BEARING CAGE SEAL
-	FT3512		0	SEAL SLEEVE TO INSTALL UPPER CRANKSHAFT BEARING CAGE SEAL
-	FT1749		0	RETAINING RING PLIERS TO REMOVE AND INSTALL PISTON PIN RETAINING RINGS
-	FT2953		0	SOCKET TO TORQUE CONNECTING ROD SCREWS
-	FT2990		0	PISTON PIN TOOL TO REMOVE AND INSTALL PISTON PIN IN PISTON
-	FT8926		0	RING EXPANDER TO INSTALL RINGS ON PISTONS
-	FT2996		0	RING COMPRESSOR TO INSTALL PISTONS IN CYLINDERS
-	FT8932		0	LIFTING HOOK TO LIFT ENGINE
-	FT2998		0	TORQUE WRENCH (0-100 LBS/FT) TO TORQUE FLYWHEEL NUT
-	FT2999		0	TORQUE WRENCH (0-600 LBS/FT) TO TORQUE FASTENERS
-	FT2991		0	CARBON BRUSH TO CLEAN CARBON FROM INSIDE POWER HEAD
-	FT8900		0	HOSE CLAMP PLIERS TO REMOVE CLAMPS FROM FUEL HOSES

SPECIAL TOOLS - LOWER UNIT

REF. NO.	PART NO.	SYM.	QTY.	DESCRIPTION
-	FT8948-1		0	PROPELLER SHAFT BEARING CAGE PULLER TO REMOVE PROPELLER SHAFT BEARING CAGE FROM LOWER GEAR HOUSING
-	FT8919		0	SPRING PIN PUNCH TO REMOVE CLUTCH SPRING PIN
-	FT8907		0	DRIVER HANDLE TO INSTALL BEARING CUP IN LOWER GEAR HOUSING
-	FT8945		0	RETAINER PUNCH TO INSTALL RETAINER ON DRIVESHAFT SPLINE BOAT
-	FT8918		0	BUSHING GUIDE SET TO REMOVE AND INSTALL BEARING CUP IN LOWER GEAR HOUSING
-	FT8921		0	FORWARD BEARING CUP REMOVER TO REMOVE FORWARD BEARING CUP FROM LOWER GEAR HOUSING
-	FT8904		0	FORWARD BEARING CUP INSTALLER TO INSTALL FORWARD BEARING CUP IN LOWER GEAR HOUSING
-	FT3431		0	DRIVESHAFT SEAL AND PROP SHAFT SEAL INSTALLER TO INSTALL DRIVESHAFT AND PROP SHAFT SEAL IN LOWER UNIT
-	FT8957		0	SEAL INSTALLER TO INSTALL SHIFT ROD SEAL
-	FT8962		0	BEARING INSTALLER TO INSTALL DRIVESHAFT BEARING IN GEAR HOUSING UPPER
-	FT8964		0	BEARING REMOVER TO REMOVE DRIVESHAFT BEARING FROM GEAR HOUSING UPPER

SPECIAL TOOLS - TEST EQUIPMENT

REF. NO.	PART NO.	SYM.	QTY.	DESCRIPTION
-	FT2951		0	CIRCUIT TRACER TO TEST 12 VOLT ELECTRICAL SYSTEM
-	FT2955A		0	TEST WHEEL TO TEST MOTOR IN TEST TANK
-	FT8950		0	LEAKAGE TESTER TO TEST LOWER UNIT FOR LEAKAGE
-	FT2938-1		0	TEST LIGHT - BATTERY POWERED TO TEST CONTINUITY IN WIRES AND CIRCUITS

SPECIAL TOOLS - LUBRICANTS AND SEALANTS

REF. NO.	PART NO.	SYM.	QTY.	DESCRIPTION
-	FT2961		0	LUBRICANT - RYKON GREASE #2EP
-	FT2987-1		0	LUBRICANT - ANTI-SEIZE
-	FT8969		0	LUBRICANT - 7 OZ. LPS 1 LUBRICANT
-	FT8983		0	SEALANT - RTV
-	FT8936-1		0	SEALANT - 2 CC LOCTITE RETAINING COMPOUND #75
-	FT2962-1		0	SEALANT - 50 CC LOCTITE H, NON-HARDENING GRADE
-	FT2963-2		0	SEALANT - 2 OZ. LOCTITE D, HARDENING GRADE
-	FT8935		0	SEALANT PRIMER - 6 OZ. LOCTITE GRADE T
-	FT8955		0	SEALANT - EC-750 INDUSTRIAL

ACCESSORIES

REF. NO.	PART NO.	SYM.	QTY.	DESCRIPTION
-	F5H081		0	BATTERY CABLE LONGER LENGTH - 15 FEET
-	71H25		0	CHARGE INDICATOR LAMP GLOWS GREEN WHEN ALTERNATOR IS CHARGING BATTERY.
-	F5H019		0	ANTI-CORROSION KIT ELECTRICAL UNIT USED TO HELP PREVENT CORROSION.
-	F5H025		0	ANTI-CORROSION SACRIFICIAL ANODE USED TO HELP PREVENT CORROSION.
-	F5H021		0	BATTERY EXTENSION CABLE USED TO EXTEND BATTERY CABLE 6 1/2 FEET.
-	F5H041		0	BATTERY TERMINAL KIT FOR POSITIVE AND NEGATIVE BATTERY POSTS.
-	F5H020		0	CARRYING HANDLE PERMITS EASIER TRANSPORTATION OF ENGINE TO AND FROM BOAT (2 MAN).
-	F5H159		0	HOURMETER RECORDS ENGINE RUNNING TIME.
-	F861		0	FLUSHING ADAPTER PERMITS FRESH WATER FLUSHING OF WATER PASSAGES WITH STANDARD GARDEN HOSE.
-	5H158		0	FUEL GAUGE MONITORS FUEL SUPPLY.
-	F5H028		0	SENDING UNIT FOR USE WITH ABOVE FUEL GAUGE.
-	F5H156		0	TEMPERATURE GAUGE MONITORS ENGINE TEMPERATURE. DO NOT USE TEMPERATURE GAUGE AND HEAT LAMP IN THE SAME INSTALLATION.
-	F5H055		0	WATER PUMP KIT HEAVY DUTY WATER PUMP RECOMMENDED FOR CONTINUED OPERATION IN SANDY OR SALT WATER.
-	F5H134		0	BOAT WHITE LACQUER ENGINE TOUCH-UP PAINT IN 12 3/4 OZ. SPRAY BOMBS (6 CANS PER CASE).
-	F5H147		0	POWER TRIM ADJUST ENGINE TRIM AND TILTS ENGINE.
-	F5H160		0	POWER TRIM INDICATOR INDICATES TRIM ANGLE.
-	F5H084		0	TRAILERING TILT LOCK SECURES ENGINE IN TILTED POSITION FOR TRAILERING.
-	F5H120		0	REMOTE CONTROL BACK PLATE PROTECTS CONTROL MECHANISM FROM PADDED MOUNTING SURFACES IN BOAT.
-	F5H027		0	FUEL TANK, 6 GALLON, STEEL AUXILIARY TANK.
-	F5H029		0	FUEL TANK ANCHOR SECURES 5H026 TO DECK.
-	F5H040		0	FUEL TANK, 12 GALLON, STEEL AUXILIARY TANK.
-	F5H143		0	POWER TILT TWELVE VOLT UNIT TILTS ENGINE FOR BEACHING, ETC.
-	479		0	HEAT LAMP KIT WARNS OF ENGINE OVERHEATING.
-	F5H073		0	OVERHEAT BUZZER KIT WARNS OF ENGINE OVERHEATING.
-	F5H076		0	SWITCH EXTENSION CABLE (5') ALLOWS FOR INSTALLATION OF IGNITION SWITCH IN 51H30 CONTROL BOX IN CONJUNCTION W/563 TERMINAL BLOCK.
-	F5H077		0	IGNITION KEY SWITCH FOR ELECTRIC START MODELS, SHORT BARREL.
-	F5H078		0	IGNITION KEY SWITCH FOR ELECTRIC START MODELS, LONG BARREL.
-	F5H066		0	LONG LEG CONVERSION KIT CONVERTS 15" STANDARD SHAFT MODELS TO 20" LONG SHAFT MODELS.

CONTINUED ON NEXT PAGE ➡

ACCESSORIES

REF. NO.	PART NO.	SYM.	QTY.	DESCRIPTION
-	F195/___		0	REMOTE CONTROL CABLES CONNECTS REMOTE CONTROL BOX TO THROTTLE AND GEAR SHIFT ON MOTOR. AVAILABLE IN 6 THROUGH 40 FOOT LENGTHS.
-	F5H130		0	REMOTE CONTROL SURFACE MOUNT (SINGLE LEVER) PERMITS REMOTE CONTROL OF THROTTLE AND GEAR SHIFT FROM STARBOARD SIDE OF BOAT.
-	F5H131		0	PORT SIDE DECAL KIT CONVERTS 5H130 CONTROL BOX TO PORT SIDE MOUNTING.
-	F590		0	REMOTE CONTROL FLUSH MOUNT (SINGLE LEVER) PERMITS REMOTE CONTROL OF THROTTLE AND GEAR SHIFT. MAY BE MOUNTED ON PORT OR STARBOARD SIDE OF BOAT.
-	865		0	REMOTE CONTROL SURFACE MOUNT (SINGLE LEVER) PERMITS REMOTE CONTROL OF THROTTLE AND GEAR SHIFT ON TWIN ENGINE INSTALLATIONS. MAY BE MOUNTED ON PORT OR STARBOARD SIDE OF BOAT.
-	F5H079		0	REMOTE CONTROL - SINGLE LEVER CONSOLE MOUNT FOR SINGLE ENGINE INSTALLATION (CHROME PLATED).
-	F5H080		0	REMOTE CONTROL - DUAL SINGLE LEVER CONSOLE MOUNT FOR TWIN ENGINE INSTALLATION (CHROME PLATED)
-	F5H132		0	REMOTE CONTROL HANDLE TRIM SWITCH POWER TRIM SWITCH IN CONTROL BOX HANDLE, REPLACES STANDARD CONTROL HANDLE
-	F5H141		0	STEERING LINK KIT FOR USE WITH PIVOT TUBE STEERING
-	F137		0	REMOTE STEERING BRACKET ADAPTS MOTOR TO CABLE TYPE REMOTE STEERING (WIRE FORM LATCH).
-	F165		0	REMOTE STEERING BRACKET ADAPTS MOTOR TO CABLE TYPE REMOTE STEERING (INCLUDES PULLEYS).
-	F5H023		0	REMOTE STEERING BRACKET ADAPTS MOTOR TO MECHANICAL TYPE REMOTE STEERING.
-	F5H108		0	STEERING CONNECTOR CLEVIS TYPE FOR BOAT MOUNTED STEERING AND NON-THREADED CABLE END.
-	F166		0	DUAL ENGINE TIE BAR PERMITS DUAL ENGINE INSTALLATION.
-	F5H154		0	SPEEDOMETER FLUSH MOUNT 10 TO 50 MPH
-	F5H155		0	SPEEDOMETER FLUSH MOUNT 20 TO 100 KM/HR.
-	F5H153		0	TACHOMETER MONITORS ENGINE RPM TO PROVIDE CHECK OF ENGINE PERFORMANCE.
-	F5H157		0	VOLTMETER INDICATES BATTERY CONDITION.
-	5H046		0	CANVAS HOOD PROTECTION FOR ENGINE COVER.
-	F5H070		0	REMOTE ELECTRIC CABLE 21 FEET.
-	F762		0	REMOTE ELECTRIC CABLE 25 FEET.
-	5H082		0	REMOTE ELECTRIC CABLE 35 FEET.
-	F596		0	CHRYSLER OUTBOARD OIL SEE BLOCK COMMENT 1.
-	F597		0	CHRYSLER OUTBOARD GEAR LUBE SEE BLOCK COMMENT 2.
-	F5H059		0	CHRYSLER OUTBOARD MULTI-PURPOSE GREASE LUBRICATES BEARINGS AND OTHER MOVING PARTS. AVAILABLE IN 8 OZ. TUBES AND 12 TUBE CASES.

CONTINUED ON NEXT PAGE ➡

ACCESSORIES

REF. NO.	PART NO.	SYM.	QTY.	DESCRIPTION
-	F5H060		0	CHRYSLER OUTBOARD GREASE GUN USED WITH CHRYSLER OUTBOARD MULTI-PURPOSE GREASE TUBES FOR PRESSURE FITTINGS.
-	F5H030		0	SWITCH KIT - RUNNING LIGHTS DASH MOUNTED TOGGLE SWITCH.
-	F5H031		0	SWITCH KIT - SPOT LIGHT DASH MOUNTED TOGGLE SWITCH.
-	F5H032		0	SWITCH KIT - WIPER DASH MOUNTED TOGGLE SWITCH.
-	F5H034		0	SWITCH KIT - BILGE PUMP DASH MOUNTED TOGGLE SWITCH.
-	F5H035		0	SWITCH KIT - HORN DASH MOUNTED TOGGLE SWITCH.
-	F5H036		0	SWITCH KIT - TACHOMETER TRANSFER FOR (1) TACHOMETER ON DUAL ENGINE INSTALLATION.
-	F5H039		0	SWITCH KIT - INSTRUMENT LIGHTS DASH MOUNTED TOGGLE SWITCH.
-	F5H037		0	SWITCH KIT - CIGAR LIGHTER FOR USE AS CONVENIENCE OUTLET.
-	F5H038		0	SWITCH KIT - IGNITION SWITCH PLATE TO MOUNT IGNITION SWITCH IN DASH.
-	5H139		0	SWITCH KIT - LIVEWELL FOR LIVEWELL PUMP.
-	F563		0	TERMINAL BLOCK KIT DOUBLE ROW (10) SECTION TERMINAL BLOCK SIMPLIFIES ACCESSORY WIRING.
-	F5H075		0	WIRING HARNESS - IGNITION SWITCH (24")

PARTS INDEX

Part Number	Description	Pg.	Ref. No.	Part Number	Description	Pg.	Ref. No.
ÄF58356//	REMOTE CONTROL CABLE (SPECIFY LENGTH)	39	4	F12167	SCREW	7	64
15037	HEAD ASSEMBLY, COMMUTATOR END	9	26	F12172	TERMINAL COMPLETE	7	60
2C605712	ENGINE COVER COMPLETE.	3	-	F12174-1	PRIMARY INTERLEAD GROUP	7	51
479	HEAT LAMP KIT	47	-	F12189	CONDENSER MOUNT SCREW	7	50
485388	DISC, WATER PUMP	35	54	F12227	CAM WIPER - FELT	7	47
5H046	CANVAS HOOD	48	-	F12329-2	BREAKER POINT SET	7	49
5H082	REMOTE ELECTRIC CABLE	48	-	F12338	GROUND WIRE	7	57
5H139	SWITCH KIT - LIVEWELL	49	-	F12344	BREAKER PLATE	7	48
5H158	FUEL GAUGE	47	-	F1263	HEX SOCKET HD CAP SCREW, S.S., 5/16 - 18 X 9/16	33	13
71H25	CHARGE INDICATOR LAMP	47	-	F1280	PAN HD SCREW, 8 - 32 X 1/4	5	20
817746A1	CONNECTOR STUD BRACKET	19	60	F1280	PAN HD SCREW, 8 - 32 X 1/4 (TERMINAL BOARD) (NOT SHOWN)	41	-
817747--1	BALL JOINT W/BEARING	17	15	F1286	PAN HD SCREW, 4 - 40 X 3/16	17	45
817793A1	SHIFT ARM W/CLAMP AND SWIVEL	17	38	F1326	ACORN NUT, S.S., 5/16 - 18	31	100
817796A2	GEAR SHIFT ARM ASSEMBLY	33	34	F1341	HEX NUT	19	70
817814A1	TILT HANDLE	3	1	F1346	HEX NUT, 3/8 - 16	27	18
865	REMOTE CONTROL SURFACE MOUNT (SINGLE LEVER)	48	-	F1346	HEX NUT, S.S., 3/8 - 16	29	60
89396A38	PRIME BULB	37	9	F1346	HEX NUT, S.S., 3/8 - 16	33	33
C235227	SPARK PLUG (RL-82) CANADA ONLY	19	-	F1349	HEX NUT, S.S., 5/16 - 18	31	95
F10057	REPAIR PARTS KIT.	13	21	F137	REMOTE STEERING BRACKET	48	-
F1014	COTTER PIN	13	7	F141118	SEAL, PROPELLER SHAFT	33	15
F1015	COTTER PIN	33	37	F141275	FITTING, THERMOSTAT	21	84
F1027	COTTER PIN, S.S., 1/8 - 1/2	33	10	F141305	SEAL, PROPELLER SHAFT BEARING CAGE	33	17
F1052	FILL HD SCREW, 1/4 - 20 X 1	19	69	F141704	GEAR SHIFT ROD COUPLING	31	94
F1059	FILL HD SCREW, 6 - 32 X 1/4	13	5	F1441	PAN HD SCREW, 1/4 - 20 X 7/8	23	2
F1108	FILL HD SCREW W/SPRING LOCKWASHER, 1/4 - 20 X 3/4	11	12	F1446	SLOTTED PAN HD SCREW, 1/4 - 20 X 1	17	42
F1110	SLOTTED FILL HD SCREW, 1/4 - 20 X 5/8	7	69	F1473	HEX NUT, 10 - 24	17	24
F1110	SLOTTED FILL HD SCREW, 1/4 - 20 X 5/8	11	2	F1473	HEX NUT, 10 - 24	27	23
F1129	FILL HD SCREW, S.S., 5/16 - 18 X 1/2	27	41	F1475	FILL HD SCREW, 10 X 24 X 1/2	3	8
F1134	FILL HD SCREW, 8 - 32 X 1 1/8	17	19	F15000	SEAL, "O" RING	9	16
F1136	FLAT HD SCREW, 1/4 - 20 X 1	17	39	F15021-1	HEAD ASSEMBLY, DRIVE END	9	27
F1141	FLAT HD SCREW, 10 - 24 X 1/2	25	6	F15034	SPRING SET	9	24
F1160	FLAT HD SCREW, 1/4 - 28 X 5/8	27	6	F15038-1	BRUSH PLATE AND HOLDER	9	23
F1164	FLAT HD SCREW, 5/16 - 18 X 1 1/8	5	29	F15042	BRUSH SET	9	22
F1199	HEX HD SCREW, 1/4 - 20 X 1	27	30	F15043	FRAME AND FIELD ASSEMBLY.	9	19
F12083	CONDENSER MOUNT SCREW W/LOCKWASHER	7	54	F15044	ARMATURE	9	17
F12090	BREAKER CONTACT SCREW	7	53	F15073	THRUST WASHER PACKAGE	9	18
F1211	HEX HD SCREW W/LOCKWASHER, 1/4 - 28 X 5/8	27	12	F15087	NUT	9	2
F12139-1	CONDENSER	7	52	F15088	SPRING	9	4
				F15091	WASHER	9	9
				F15094	THRU BOLT PACKAGE (SET OF 2 BOLTS)	9	25
				F15104	CUP, CUSHION THRUST	9	12
				F15105	CUP	9	10

PARTS INDEX

Part Number	Description	Pg.	Ref. No.	Part Number	Description	Pg.	Ref. No.
F15106	CUSHION	9	11	F17026	SWIVEL	39	24
F15109	STOP	9	3	F17030-1	SET SCREW	39	31
F15113	BENDIX DRIVE.	9	1	F17031-1	SNAP CAP	39	28
F15114	PINION	9	7	F17036	INTERNAL TOOTH LOCKWASHER	39	6
F15115	CUP, PINION	9	5	F1704	INTERNAL TOOTH LOCKWASHER	7	67
F15116	SLEEVE	9	6	F17068	DETENT SPRING	41	37
F1513	HEX NUT	39	3	F17071	FILL HD SCREW, 10 - 24 X 5/16	39	22
F1513	HEX NUT, 10 - 32	5	31	F17082-1	DETENT BALL	41	38
F1513	HEX NUT, 10 - 32	17	12	F17092	SNAP RING	39	21
F1513	HEX NUT, 10 - 32	17	16	F17099	HOUSING	39	36
F1513	HEX NUT, 10 - 32	19	63	F17100	CLUTCH SHAFT	39	20
F1514	HEX NUT, 1/4 - 20	9	15	F17103	BAG ASSEMBLY (NOT SHOWN).	41	-
F1515	HEX NUT, 5/16 - 18	3	22	F17105	FELT WASHER	39	33
F1515	HEX NUT, 5/16 - 18	17	4	F17106	COLLAR	39	34
F1515	HEX NUT, 5/16 - 18	25	2	F17111	DETENT BALL	39	17
F1525	WELCH PLUG, CYLINDER HEAD (NOT SHOWN)	21	95	F17112	JUNCTION BOARD - STARBOARD	39	26
F1526	WELCH PLUG, CYLINDER HEAD (NOT SHOWN)	21	96	F17113	JUNCTION BOARD - PORT	39	-
F1532	HEX HD SCREW, 1/4 - 20 X 1	3	28	F17115-1	HANDLE	39	30
F1532	HEX HD SCREW, 1/4 - 20 X 1	7	46	F17116	KNOB	39	29
F154317	CABLE CLAMP	39	23	F17146	WOOD SCREW	39	35
F1544	HEX HD CAP SCREW, 3/8 - 16 X 2 1/4	21	74	F17147	INTERNAL TOOTH LOCKWASHER	39	12
F1556	FILL HD SCREW W/LOCKWASHER, 10 - 24 X 3/8	17	32	F17148	DECAL, STARBOARD	39	27
F1557	FLAT HD SCREW, 10 - 24 X 3/8	39	25	F17149	COTTER PIN	39	8
F1593	HEX HD SCREW, S.S., 3/8 - 16 X 3	29	58	F1715	HEX BOLT, 1/4 - 28 X 9/16	39	7
F1600	LOCK NUT, PIVOT TUBE	29	56	F1727	PLASTIC RIVET	17	30
F1615	HEX NUT, 5/16 - 24	7	38	F1733	FILL HD SCREW, 10 - 24 X 9/16	27	26
F1635	HEX SOCKET HD CAP SCREW, S.S., 3/8 - 16 X 3 1/2	29	43	F1733	PAN HD SCREW, 10 - 24 X 9/16	3	16
F1636	HEX SOCKET HD CAP SCREW, S.S., 3/8 - 16 X 1 1/4	29	44	F1733	PAN HD SCREW, 10 - 24 X 9/16	5	32
F1645	RD HD SELF-TAPPING SCREW, 6 - 32 X 1/4	7	68	F1733	PAN HD SCREW, 10 - 24 X 9/16	29	69
F1646	HEX SOCKET HD CAP SCREW, 3/8 - 16 X 2 1/4	17	7	F1744	SPRING PIN	29	84
F1647	HEX NUT, 8 - 32	5	14	F1753	FASTENER	3	34
F165	REMOTE STEERING BRACKET	48	-	F1755	ROUND HD SCREW W/LOCKWASHER, 6 - 32 X 1/4	25	12
F166	DUAL ENGINE TIE BAR	48	-	F1767	FILL HD SCREW, 10 - 24 X 3	27	20
F1666	BOWED SPRING WASHER	29	52	F1768	FILL HD SCREW, 10 - 24 X 1 3/8	27	19
F1669	STOP NUT	29	73	F177330	FUEL PUMP VALVE	11	9
F17006	DETENT SPRING	39	18	F177917	STARTER RELAY	7	37
F17009	BEARING	39	14	F17932	SEAL, FUEL TANK ADAPTER	37	11
F17010-1	THROTTLE GEAR	39	16	F18160-2	REED, CYLINDER DRAIN	19	48
F17011	BOWED WASHER	39	15	F183300	SPRING	3	21
F17012	RETAINING PLATE	39	13	F183346-1	SHOCK MOUNT LOWER	27	40
F17013	FILL HD SCREW, 1/4 - 20 X 1/2	39	11	F1836	SPRING PIN	29	79
F17014	THROTTLE ARM	39	10	F184033-1	SWIVEL, CHOKE ROD	13	4
F17016	CABLE TERMINAL	39	9	F184579	SEAL, CHOKE ARM SWIVEL	13	3
F17019	CLUTCH ARM	39	5	F1849	HEX HD SCREW, S.S., 1/4 - 20 X 1 3/8	27	27
F17021	CLUTCH GEAR	39	19				

PARTS INDEX

Part Number	Description	Pg.	Ref. No.	Part Number	Description	Pg.	Ref. No.
F1854	HEX HD SCREW, 1/4 - 20 X 5/8	7	44	F2008	HEX HD SCREW, 1/4 - 20 X 7/8	25	1
F1854	HEX SLOT HD SCREW, 1/4 - 20 X 5/8	17	6	F2014	PLAIN WASHER	21	75
F1857	HEX CAP SCREW, 5/16 - 18 X 5/8	19	61	F2014	PLAIN WASHER	35	59
F185764	RETAINING RING	31	96	F201529-1	CYLINDER HEAD GASKET	19	66
F1860	SLOTTED BINDING HD SCREW, 6 - 32 X 1/4	11	8	F201529-1	GASKET, CYLINDER HEAD	19	-
F1864	FILL HD SCREW, 1/4 - 20 X 3/4	7	41	F2016	FILL HD SCREW, 8 - 32 X 7/8	5	28
F1864	HEX CAP SCREW, 1/4 - 20 X 3/4	3	11	F2025	PAN HD SCREW, 10 X 5/8	3	2
F1864	HEX CAP SCREW, 1/4 - 20 X 3/4	19	62	F2030	HEX HD SCREW, S.S., 1/4 - 20 X 1 1/4	35	52
F1864	HEX HD SCREW, 1/4 - 20 X 3/4	3	27	F2030	SCREW 1/4 - 20 X 1-1/4	35	-
F1864	HEX HD SCREW, 1/4 - 20 X 3/4	17	9	F203097-5	FLYWHEEL	7	71
F1879	HEX SOCKET HD CAP SCREW, 3/8 - 16 X 1 5/8	17	8	F203276	COIL BOOT	5	16
F1880	PLASTIC PLUG	27	37	F2033	GROOVE PIN	13	10
F1904	PLAIN WASHER	29	59	F203673	TERMINAL CLIP	5	17
F1905	FILL HD SCREW, 1/4 - 20 X 3/8	27	33	F203965	SHOCK MOUNT UPPER	27	13
F1910	ELASTIC STOP NUT, 1/4 - 20	17	17	F2066	PAN HD SELF-TAPPING SCREW	3	3
F191169-1	SWIVEL BRACKET BEARING	29	46	F2071	HEX CAP SCREW, 5/16 - 18 X 1 3/8	7	63
F1920	HEX NUT, 5/8 - 18	7	72	F2073	HEX CAP SC 3/8 - 24 X 1-5/8	29	66
F1922	HEX CAP SCREW, 1/4 - 20 X 5/8	5	18	F2093	STOP NUT 3/8 - 24	29	62
F1922	HEX CAP SCREW, 1/4 - 20 X 5/8	27	11	F2097	SPRING PIN	33	23
F1922	HEX HD SCREW, 1/4 - 20 X 5/8	11	3	F213274	GREASE FITTING	29	77
F1922	HEX HD SCREW, 1/4 - 20 X 5/8	21	86	F213342	SEAL, FUEL LINE COUPLER (LARGE)	37	4
F1929	HEX HD CAP SCREW, S.S., 3/8 - 16 X 1 1/8	27	35	F213735	SEAL, FUEL LINE COUPLER (SMALL)	37	5
F1934	FLAT HD SLOTTED SCREW, 6 X 1/2	5	23	F215962	SHOCK MOUNT SIDE LOWER	31	102
F1947	FLANGED 12 POINT SCREW, 5/16 - 18 X 2	31	103	F24074	CLAMP SCREW FOOT	31	88
F195/	REMOTE CONTROL CABLES	48	-	F268002-2	CAM	7	45
F1958	PAN HD SCREW, 6 X 7/16	7	61	F269052	SHIFT ARM BEARING	17	36
F1969	FILL HD SCREW, 1/4 - 20 X 3/4	17	31	F269122-1	CRANKCASE PARTING LINE SEAL	19	-
F1971	HEX HD SCREW, 1/4 - 20 X 2 1/8	21	85	F269122-1	CRANKCASE PARTING LINE SEAL	19	71
F1974	SLOTTED PAN HD SCREW, 10 - 24 X 5/8	5	5	F269319	THROTTLE CAM BEARING	17	11
F1975	LOCKWASHER	5	4	F269445-1	SPARK CONTROL LINK	17	25
F197787-3	FUEL LINE COUPLER	37	6	F269929	SPACER, TILT STOP	29	49
F1987	PLAIN WASHER	3	20	F269929	SPACER, TILT STOP	29	53
F1987	PLAIN WASHER	31	98	F269929	SPACER, TILT STOP	31	90
F1995	FILL HD SCREW, 10 - 24 X 1 1/16	17	27	F269929	SPACER, TILT STOP	31	92
F1995	FILL HD SCREW, 10 - 24 X 1 1/16	21	80	F286461	SPRING LOCK BAR HANDLE	29	82
F1997	STOP NUT, 8 - 32	13	31	F286772-1	CLAMP	27	9
F1997	STOP NUT, 8 - 32	21	94	F289664	WIRE STATOR GROUND	7	58
				F298788	FERRULE	37	7
				F2A366298	PROPELLER SHAFT BEARING CAGE.	33	14
				F2A433757	CYLINDER DRAIN REED PLATE	19	49
				F2A474266	BEVEL PINION W/BEARING	33	35
				F307038	SUPPORT PLATE	3	14
				F307211	STUD	17	2
				F307279-2	CYLINDER EXHAUST GASKET UPPER	27	1
				F307279-2	GASKET, CYLINDER EXHAUST - UPPER	19	-
				F307317	CLIP, TERMINAL BLOCK - GROUND	5	11

PARTS INDEX

Part Number	Description	Pg.	Ref. No.	Part Number	Description	Pg.	Ref. No.
F307615	GEAR SHIFT ROD UPPER ..	31	99	F40223	GASKET, TRANSFER PORT COVER	19	-
F307660-1	LEG EXHAUST TUBE	27	3	F40223	TRANSFER PORT COVER GASKET	19	54
F307683	WIRE, CIRCUIT BREAKER ..	5	26	F40279-1	CYLINDER EXHAUST GASKET LOWER	27	15
F307818	BEARING, LATCH SHAFT ..	3	18	F40279-1	GASKET, CYLINDER EXHAUST - LOWER	19	-
F307860	INTAKE SILENCER	3	25	F40307-2	SEAL, DRIVESHAFT	35	46
F307908	STARTER LEAD	9	20	F40342	SEAL	33	5
F307942-1	BUMPER	17	20	F40342	SEAL, PROPELLER NUT ...	33	11
F307962	SHOCK MOUNT - SIDE - UPPER	27	16	F40410	SNAP RING	23	14
F311744-2	WIRING HARNESS	5	2	F404801	ELBOW	19	64
F311984-1	BLANKET, SILENCER - TOP	3	37	F405457	PIVOT SCREW	17	33
F311996	GASKET, CYLINDER HEAD COVER	19	-	F40717	THRUST WASHER, BEVEL GEAR	33	19
F316599	SEAL, PIVOT TUBE	29	81	F40833-4	GASKET, IDLE RELIEF COVER	19	-
F328109	PLUG	17	21	F40833-4	MOTOR LEG EXHAUST COVER GASKET	27	32
F333316	THROTTLE ROLLER SHAFT	13	34	F40906-1	FLANGE GASKET	13	35
F335160	REED	25	10	F40906-1	GASKET, CARBURETOR ...	19	-
F335217-1	BEARING	23	8	F409251-1	GAUGE CAP	37	1
F338129-1	SEAL, DRIVESHAFT SPLINE	33	1	F428096	RETAINER, PISTON PIN ...	23	11
F338271	RETAINER	33	2	F433065-1	IMPELLER	35	-
F338618-1	SEAL, SHIFT ROD LOWER .	35	43	F433065-1	WATER PUMP IMPELLER W/INSERT	35	48
F345427-1	BRACKET, STARTER MOUNTING	17	1	F433114	HANDLE, LOCK BAR	29	83
F345683	WIRE - GROUND	5	10	F433168	CARBURETOR ADAPTER GASKET	25	5
F349307	DRIVESHAFT SEAL - WATER PUMP	35	50	F433168	GASKET, CARBURETOR ADAPTER	21	-
F353480	STUD	31	89	F433192	THROTTLE CAM	17	14
F366013	CRANKSHAFT THRUST BEARING UPPER	23	18	F433209-1	STUD, THROTTLE CAM ...	17	10
F366058	BALL BEARING, PROPELLER SHAFT	33	16	F433254	HOSE	19	65
F366215	SPACER	23	10	F433404	DEFLECTOR PLATE	25	7
F366277	BEARING CAGE GASKET ..	23	4	F433406	DEFLECTOR PLATE GASKET	25	8
F366277	GASKET, BEARING CAGE ..	21	-	F433406	GASKET, DEFLECTOR PLATE	21	-
F366300	REVERSE LOCK SPRING ..	29	75	F433675	STARTER MOUNTING BRACKET - LOWER	17	5
F366349	REVERSE LOCK	29	74	F433680	SPACER PLATE	27	2
F366350	TILT STOP PIVOT	29	50	F433689	TOWERSHAFT BEARING ..	17	28
F366364	ARM	29	71	F433946	SHOCK MOUNT UPPER COVER	27	8
F366426	TILT STOP - PORT	29	51	F433972	SHOCK MOUNT LOWER COVER - STARBOARD ..	31	101
F366433	TILT STOP, STARBOARD ..	31	91	F433973	SHOCK MOUNT LOWER COVER - PORT	27	42
F366510-1	LINK	29	72	F434061-3	CARBURETOR - COMPLETE (WB16D)	13	38
F366727	BALL, PROPELLER SHAFT ..	33	20	F434754	FUEL LINE, PUMP TO CARBURETOR	11	17
F366827	HANDLE AND SHAFT	29	67	F434758	FUEL PUMP IMPULSE HOSE	11	6
F366866	PIN	29	76	F435057	BEARING, DRIVESHAFT UPPER	35	45
F369450	RECTIFIER	5	12	F435077	SCREEN, WATER INLET ...	35	44
F380475	COIL	5	30	F435133-1	MOTOR LEG	27	34
F380501	COIL MOUNT	7	55	F435244	INLET WATER LINE	33	7
F380513	COIL CLAMP	5	27				
F381896-4	BATTERY CABLE	5	24				
F391926-1	CHOKE SOLENOID PLUNGER	13	9				
F40008	STUD, SHORT	33	39				
F40017-2	PISTON PIN	23	9				
F40146-1	CRANKSHAFT SEAL	23	1				
F40151-1	EXHAUST PORT PLATE ...	21	89				
F40154-3	EXHAUST PORT PLATE GASKET	21	88				
F40154-3	GASKET, EXHAUST PORT PLATE	19	-				
F40209	CARBURETOR STUD	25	3				

PARTS INDEX

Part Number	Description	Pg.	Ref. No.	Part Number	Description	Pg.	Ref. No.
F435323	PACKING, LEG COVER - LOWER	27	25	F5H020	CARRYING HANDLE	47	-
F435323	PACKING, LEG COVER - UPPER	27	22	F5H021	BATTERY EXTENSION CABLE	47	-
F435555	SEAL, GEAR HOUSING	35	41	F5H023	REMOTE STEERING BRACKET	48	-
F435562	BACK PLATE, WATER PUMP	35	-	F5H025	ANTI-CORROSION SACRIFICIAL ANODE	47	-
F435562	WATER PUMP BACK PLATE	35	47	F5H027	FUEL TANK (ACCESSORY ITEM)	37	2
F435705	GEAR SHIFT ROD LOWER	33	36	F5H027	FUEL TANK, 6 GALLON, STEEL	47	-
F438165	SCREW, FUEL BOWL	11	19	F5H028	SENDING UNIT	47	-
F438398-1	DECAL, WIRING	5	1	F5H029	FUEL TANK ANCHOR	47	-
F438500	FUEL SEDIMENT BOWL	11	18	F5H030	SWITCH KIT - RUNNING LIGHTS	49	-
F438617	FUEL SEDIMENT BOWL GASKET	11	15	F5H031	SWITCH KIT - SPOT LIGHT	49	-
F438653	FUEL PUMP SCREEN	11	16	F5H032	SWITCH KIT - WIPER	49	-
F438747	FUEL PUMP DIAPHRAGM	11	7	F5H034	SWITCH KIT - BILGE PUMP	49	-
F438760	FUEL PUMP GASKET	11	4	F5H035	SWITCH KIT - HORN	49	-
F438801	ELBOW	11	13	F5H036	SWITCH KIT - TACHOMETER TRANSFER	49	-
F452925	CHOKE SOLENOID ROD	13	8	F5H037	SWITCH KIT - CIGAR LIGHTER	49	-
F458774	BRACKET RETAINER - REAR	3	12	F5H038	IGNITION SWITCH MOUNTING KIT (ACCESSORY ITEM)	5	22
F463314	ELBOW	21	90	F5H038	SWITCH KIT - IGNITION SWITCH PLATE	49	-
F463864	RETAINER, TILT HANDLE	3	4	F5H039	SWITCH KIT - INSTRUMENT LIGHTS	49	-
F465985	BLANKET, SILENCER - SIDE	3	5	F5H040	FUEL TANK, 12 GALLON, STEEL	47	-
F466095	STATOR	7	59	F5H041	BATTERY TERMINAL KIT	47	-
F466479	BREAKER PLATE SHOE	7	62	F5H055	WATER PUMP KIT	47	-
F467841	COIL WIRE - CANADA	5	-	F5H059	CHRYSLER OUTBOARD MULTI-PURPOSE GREASE	48	-
F474073-1	CLAMP SCREW	31	86	F5H060	CHRYSLER OUTBOARD GREASE GUN	49	-
F474992	BLANKET, SILENCER - FRONT	3	30	F5H066	LONG LEG CONVERSION KIT	47	-
F483884	BEARING	29	78	F5H070	REMOTE ELECTRIC CABLE	48	-
F485755-1	FUEL TANK ADAPTER	37	3	F5H073	OVERHEAT BUZZER KIT	47	-
F486015	PISTON	23	12	F5H075	WIRING HARNESS - IGNITION SWITCH (24")	49	-
F498618	SEAL, "O" RING	33	30	F5H076	SWITCH EXTENSION CABLE (5')	47	-
F498891	GEAR SHIFT ARM PIVOT PIN	33	29	F5H077	IGNITION KEY SWITCH	47	-
F50109	PLUG, GEAR HOUSING	33	27	F5H078	IGNITION KEY SWITCH	47	-
F510374	DECAL, CIRCUIT BREAKER	7	35	F5H078	IGNITION SWITCH (ACCESSORY ITEM)	5	21
F510460	CIRCUIT BREAKER	5	34	F5H079	REMOTE CONTROL - SINGLE LEVER CONSOLE MOUNT	48	-
F522032	STERN BRACKET - STARBOARD	31	93	F5H080	REMOTE CONTROL - DUAL SINGLE LEVER CONSOLE MOUNT	48	-
F522125-1	TUBE, PIVOT STEERING	29	80	F5H081	BATTERY CABLE	47	-
F522286	STERN BRACKET FRICTION WASHER	29	48	F5H084	TRAILERING TILT LOCK	47	-
F522359	SPACER, STEERING LINK	29	65	F5H108	STEERING CONNECTOR	48	-
F522532	STERN BRACKET - PORT	29	54				
F522741	RING, RETAINING-REV. LOCK SHAFT	29	70				
F522884	BEARING	29	68				
F531892	DECAL, PORT	39	-				
F544390-1	DECAL, TILT LOCK	29	61				
F545189	BUSHING, CABLE ENTRY	3	19				
F549189	BUSHING ELECTRIC CABLE ENTRY	3	15				
F563	TERMINAL BLOCK KIT	49	-				
F58685-2	CONNECTOR, SHIFT CABLE	39	2				
F590	REMOTE CONTROL FLUSH MOUNT (SINGLE LEVER)	48	-				
F596	CHRYSLER OUTBOARD OIL	48	-				
F597	CHRYSLER OUTBOARD GEAR LUBE	48	-				
F5H019	ANTI-CORROSION KIT	47	-				

PARTS INDEX

Part Number	Description	Pg.	Ref. No.	Part Number	Description	Pg.	Ref. No.
F5H130	REMOTE CONTROL SURFACE MOUNT (SINGLE LEVER)	48	-	F84280	KINGPIN NUT	27	38
F5H131	PORT SIDE DECAL KIT	48	-	F84314-2	ELBOW	11	5
F5H132	REMOTE CONTROL HANDLE TRIM SWITCH	48	-	F84314-2	ELBOW, FUEL LINE	19	57
F5H134	BOAT WHITE LACQUER	47	-	F84314-2	ELBOW, FUEL LINE CARBURETOR	13	1
F5H141	LINK, STEERING	29	64	F84449	NEUTRAL INTERLOCK SWITCH	7	65
F5H141	STEERING LINK KIT	48	-	F84792	FUEL PUMP VALVE GASKET	11	10
F5H143	POWER TILT	47	-	F85372	PIN, GEAR SHIFT ROD LOWER	33	38
F5H147	POWER TRIM	47	-	F8538	SPRING PIN	31	87
F5H153	TACHOMETER	48	-	F8545	SPRING PIN	21	93
F5H154	SPEEDOMETER	48	-	F85502	THROTTLE LINK	17	18
F5H155	SPEEDOMETER	48	-	F8559	DOWEL PIN	19	52
F5H156	TEMPERATURE GAUGE	47	-	F85610	BEARING	17	35
F5H157	VOLTMETER	48	-	F85634-2	CONNECTING ROD SCREW	23	17
F5H159	HOURLY METER	47	-	F85735-1	SEAL	3	33
F5H160	POWER TRIM INDICATOR	47	-	F85756	SUPPORT PLATE PACKING	3	13
F605711	PLATE, FRONT	3	32	F85843-1	ELECTRIC CONTROL CABLE	5	7
F7004	ELASTIC STOP NUT 3/8 - 16	35	60	F861	FLUSHING ADAPTER	47	-
F7004	STOP NUT, 7/16 - 20	17	37	F88161-3	REED STOP	25	11
F7007	NUT	29	55	F89011	SWIVEL BRACKET WASHER	27	39
F7011	HEX NUT, 10 - 24	3	6	F89025	DAMPENING PAD	27	14
F71H26	BATTERY TERMINAL KIT (ACCESSORY ITEM)	5	25	F89504	GROMMET, MOTOR LEG	27	29
F762	REMOTE ELECTRIC CABLE	48	-	F89777-1	LATCH CAM	3	24
F8003	PLAIN WASHER	19	46	F90014	CRANKSHAFT LOWER MAIN BEARING	23	16
F8011	PLAIN WASHER	5	33	F901563	DRIVE PIN	35	-
F8025	PLAIN WASHER	27	10	F901563	DRIVE PIN, WATER PUMP IMPELLER	33	4
F8028	PLAIN WASHER	9	13	F9018	PLASTIC CAP, PIVOT TUBE	31	104
F8038	PLAIN WASHER	27	17	F9052	PLASTIC PLUG, PIVOT TUBE	29	57
F8038	PLAIN WASHER	29	63	F90619-1	YOKE	35	56
F8042	PLAIN WASHER	33	6	F90871-3	GEAR SHIFT ARM PIN	33	22
F8049	BOWED SPRING WASHER	31	97	F91446-1	CIRCUIT BREAKER BRACKET	7	36
F8056	SPRING LOCKWASHER	5	13	F92446	CLAMP	7	70
F8058	INTERNAL TOOTH LOCKWASHER	17	13	F92498	KEY	7	43
F8058	INTERNAL TOOTH LOCKWASHER	19	59	F92759	ROLLER	13	33
F8060	EXTERNAL TOOTH LOCKWASHER	23	19	F93472-1	CYLINDER DRAIN COVER GASKET	17	44
F8060	LOCKWASHER	9	14	F93472-1	GASKET, CYLINDER DRAIN COVER	19	-
F8065	LOCKWASHER	33	32	F93748-1	CYLINDER DRAIN REED PLATE GASKET	19	51
F8065	SPRING LOCKWASHER	27	36	F93748-1	GASKET, CYLINDER DRAIN REED PLATE	19	-
F8077	WASHER, GEAR HOUSING PLUG	33	28	F93811	SCREEN CYLINDER DRAIN REED PLATE	19	50
F8083	SPRING LOCKWASHER	5	9	F93920	CYLINDER DRAIN REED STOP	19	47
F8083	SPRING LOCKWASHER	21	73	F94914	SLEEVE	7	56
F8083	SPRING LOCKWASHER	27	28	F97008-1	STUD, LONG	33	31
F8088	PLAIN WASHER	7	66	F97066-1	THERMOSTAT COVER	21	79
F8088	PLAIN WASHER	13	6	F97067	GASKET, THERMOSTAT COVER	19	-
F8094	PLAIN WASHER	7	40	F97067	THERMOSTAT COVER GASKET	21	78
F8096	SPRING LOCKWASHER	3	23	F97068-1	THERMOSTAT	21	77
F8096	SPRING LOCKWASHER	7	39	F97275	FITTING, THERMOSTAT	21	81
F8096	SPRING LOCKWASHER	17	3				
F84026	SPARK CONTROL SWIVEL	17	22				
F84035-2	SPARK CONTROL BEARING, R.H.	17	26				
F84036	SPARK CONTROL BEARING, L.H.	17	23				

PARTS INDEX

Part Number	Description	Pg.	Ref. No.	Part Number	Description	Pg.	Ref. No.
F97504	GROMMET, THERMOSTAT	21	76	FA58976-1	CONNECTOR, THROTTLE CABLE	39	1
F97772	CLAMP	21	82	FA605396	DECAL, ENGINE COVER - STARBOARD	3	35
F97772	FUEL LINE CLAMPS	11	14	FA605397	DECAL, ENGINE COVER - PORT	3	9
F98273	ROD END CONNECTOR STUD	19	58	FA605892	DECAL, ENGINE COVER FRONT	3	31
F99521-1	CLUTCH	33	24	FA606386	DECAL, NUMERAL "45"	3	10
FA15072	HEX LOCK NUT, 1/4 - 20 W/LOCKWASHER	9	21	FA84754-1	FUEL LINE SHORT	37	8
FA201955	STARTER MOTOR - COMPLETE (NOT SHOWN)	9	-	FA89128-1	DRIVESHAFT	33	3
FA27232	EMERGENCY STARTER ROPE (NOT SHOWN) WITH HANDLE	5	-	FA89832-2	MOTOR LEG EXHAUST COVER	27	31
FA307779	BAFFLE, AIR INTAKE	3	26	FA94094-2	PROPELLER NUT	33	9
FA328763	COVER LATCH HANDLE W/SHAFT	3	17	FA97247	WATER TUBE, THERMOSTAT	21	83
FA354260	PISTON RING SET (6 PER SET)	23	13	FB368700	IGNITION KEY - STAMPED B	5	-
FA366778	ENGINE COVER RETAINER FORWARD	3	29	FC368700	IGNITION KEY - STAMPED C	5	-
FA368700	IGNITION KEY - NO LETTER OR STAMPED A	5	19	FC409398	DECAL, TOTE TANK - CANADA (NOT SHOWN)	37	-
FA40655	CRANKSHAFT CENTER MAIN BEARING RACE	23	15	FC464010	SHORT BLOCK	19	-
FA411222	TRANSFER PORT COVER	19	55	FC479390	DECAL, STARTER - CANADA (NOT SHOWN)	9	-
FA433019	KINGPIN	29	45	FC486054	GEAR HOUSING COMPLETE	33	-
FA433113	STERN BRACKET LOCK BAR	29	85	FD368700	IGNITION KEY - STAMPED D	5	-
FA433152	EXHAUST PORT COVER	21	87	FE368700	IGNITION KEY - STAMPED E	5	-
FA433158	REED PLATE	25	9	FG1007-1	GASKET SET	19	72
FA433167	CARBURETOR ADAPTER FLANGE	25	4	FK10000	GASKET SET	13	26
FA433471	CYLINDER DRAIN COVER W/FITTING	17	43	FK1073	WATER PUMP KIT	35	58
FA435116	SNOUT, ANODE, EXHAUST	33	40	FK1074	GEAR HOUSING SEAL KIT	35	57
FA435135	LEG COVER - PORT - W/PACKING	27	24	FK1075	TUNE-UP KIT	5	6
FA435145	LEG COVER - STARBOARD WITH PACKING	27	21	FK1123	SPARKIE KIT	5	8
FA435616	GEAR SHIFT ROD INTERMEDIATE	35	53	FK15084	SCREW SHAFT	9	8
FA438431	FUEL PUMP BODY	11	11	FK17114-1	INDICATOR	39	32
FA439746	FUEL PUMP COVER	11	1	FK247	PROPELLER PIN, PACK OF 6	33	12
FA458480	ENGINE COVER RETAINER	3	7	FK405020	SWIVEL	17	34
FA463060	WATER PUMP BODY	35	-	FK433838	TOWERSHAFT	17	29
FA463060	WATER PUMP BODY	35	49	FK85228-1	BEARING CAGE W/ROLLERS (16 PER SET)	23	6
FA464010	CYLINDER	19	53	FO10165	INLET SEAT GASKET	13	18
FA466144	CRANKSHAFT BEARING CAGE	23	3	FO10280	CHOKE SHUTTER RETAINING SCREW AND LOCKWASHER	13	15
FA485023	BEVEL GEAR FRONT W/BEARING	33	25	FO10588	BODY CHANNEL CUP PLUG	15	40
FA485662	BEVEL GEAR REAR W/BEARING	33	18	FO10790	INLET NEEDLE, SEAT AND GASKET	13	19
FA485914	SEAL, INLET WATER LINE, LOWER	35	51	FO10883	CHOKE RELIEF VALVE SPRING	13	17
FA486054	GEAR HOUSING LOWER	33	26	FO11103	IDLE MIXTURE SCREW SPRING	13	12
FA510497	TERMINAL BLOCK	5	3	FO13194	MAIN FUEL JET .080 - OPT. - 3750 - 6250 FT.	13	-
FA545018	CRANKSHAFT	23	5	FO13552	FUEL BOWL	13	24
FA545072	SWIVEL BRACKET	29	47	FO13554	FLOAT	13	27
FA545554	GEAR HOUSING UPPER	35	42	FO13944	FLOAT LEVER PIN	13	20
				FO13945	FUEL BOWL RETAINING SCREW	13	25
				FO13946	IDLE MIXTURE SCREW	13	11

PARTS INDEX

Part Number	Description	Pg.	Ref. No.	Part Number	Description	Pg.	Ref. No.
FO14109	MAIN FUEL JET .082 - OPT. - 1250 - 3750 FT.	13	-	FT2999	TORQUE WRENCH (0-600 LBS/FT)	43	-
FO14292	THROTTLE SHAFT RETURN SPRING	13	30	FT3431	DRIVESHAFT SEAL AND PROP SHAFT SEAL INSTALLER	44	-
FO14302	MAIN FUEL JET .084 - STD.	13	29	FT3510	SEAL INSTALLER	43	-
FO14306	MAIN FUEL JET .078 - OPT. - 6250 - 8250 FT.	13	-	FT3512	SEAL SLEEVE	43	-
FO15623	FUEL BOWL GASKET	13	22	FT8900	HOSE CLAMP PLIERS	43	-
FO15724	CHOKE SHUTTER	13	16	FT8904	FORWARD BEARING CUP INSTALLER	44	-
FO15725	CHOKE RELIEF VALVE	13	13	FT8907	DRIVER HANDLE	44	-
FO15728	THROTTLE SHAFT AND LEVER	13	32	FT8918	BUSHING GUIDE SET	44	-
FO16340	THROTTLE SHUTTER	13	37	FT8919	SPRING PIN PUNCH	44	-
FO16383	CHOKE SHAFT AND LEVER	13	2	FT8921	FORWARD BEARING CUP REMOVER	44	-
FO16385	CHOKE SHAFT RETURN SPRING	13	14	FT8926	RING EXPANDER	43	-
FO17355	MAIN NOZZLE	13	28	FT8930-1	FEELER GAUGE	42	-
FO2510	FUEL BOWL RETAINING SCREW GASKET	13	23	FT8932	LIFTING HOOK	43	-
FO3804	THROTTLE SHAFT POSITION RETAINING SCREW WASHER	15	41	FT8935	SEALANT PRIMER - 6 OZ. LOCTITE GRADE T	46	-
FO4326	BODY CHANNEL WELCH PLUG	13	39	FT8936-1	SEALANT - 2 CC LOCTITE RETAINING COMPOUND #75	46	-
FO6393	THROTTLE SHAFT POSITION RETAINING SCREW	15	43	FT8945	RETAINER PUNCH	44	-
FO6396	THROTTLE SHAFT POSITION RETAINING SCREW LOCKWASHER ..	15	42	FT8948-1	FLYWHEEL PULLER	42	-
FO8942	THROTTLE SHUTTER RETAINING SCREW AND LOCKWASHER	13	36	FT8948-1	PROPELLER SHAFT BEARING CAGE PULLER	44	-
FP293	PROPELLER (ACCESSORY ITEM)	33	8	FT8950	LEAKAGE TESTER	45	-
FS307940	KINGPIN PLATE	27	7	FT8955	SEALANT - EC-750 INDUSTRIAL	46	-
FS310260	PISTON RINGS (6 PER SET) .010 OVERSIZE	23	-	FT8957	SEAL INSTALLER	44	-
FS409752	FUEL LINE - COMPLETE ...	37	-	FT8962	BEARING INSTALLER	44	-
FS433758	HOSE W/VALVE	21	91	FT8964	BEARING REMOVER	44	-
FS606712	ENGINE COVER,	3	36	FT8969	LUBRICANT - 7 OZ. LPS 1 LUBRICANT	46	-
FSA486015	PISTON .010 OVERSIZE ...	23	-	FT8983	SEALANT - RTV	46	-
FT1749	RETAINING RING PLIERS ..	43	-	FTA2937-1	TIMING TOOL	42	-
FT2938-1	TEST LIGHT - BATTERY POWERED	45	-	OB3062	LITERATURE (NOT SHOWN). INSTALLATION INSTRUCTIONS FOR 5H130	41	-
FT2951	CIRCUIT TRACER	45	-	22-817740A1	ELBOW ASSEMBLY	21	92
FT2953	SOCKET	43	-	26-817766A1	SEAL, KINGPIN PLATE ...	27	5
FT2955A	TEST WHEEL	45	-	32-817738A1	FUEL LINE, LONG	37	10
FT2961	LUBRICANT - RYKON GREASE #2EP	46	-	33-82371M	SPARK PLUG (UL-81J) ...	19	68
FT2962-1	SEALANT - 50 CC LOCTITE H, NON-HARDENING GRADE	46	-	37-817792A1	DECAL, TIMING	25	13
FT2963-2	SEALANT - 2 OZ. LOCTITE D, HARDENING GRADE ..	46	-	39-818113A1	PISTON RINGS (6 PER SET) .030 OVERSIZE	23	-
FT2987-1	LUBRICANT - ANTI-SEIZE ..	46	-	44-819500A3	PROPELLER SHAFT ASSEMBLY	33	21
FT2990	PISTON PIN TOOL	43	-	84-817765A2	COIL WIRE.	5	15
FT2991	CARBON BRUSH	43	-	89-817760A2	CHOKE SOLENOID	7	42
FT2996	RING COMPRESSOR	43	-	600-818052A4	CONNECTING ROD W/CAP AND SCREWS	23	7
				700-818124A1	PISTON .030 OVERSIZE ...	23	-
				900-818049A2	CYLINDER HEAD	19	67