



PARTS CATALOG

55 H.P.

SERIAL NUMBER

55 (1982)559B2P
55 (1982)559H2P

TABLE OF CONTENTS:

ACCESSORIES	49
CARBURETOR	10
CRANKSHAFT AND PISTON GROUP	20
ELECTRICAL COMPONENTS	6
ENGINE COVER AND SUPPORT PLATE	2
FUEL PUMP	16
FUEL TANK AND LINE	38
GEAR HOUSING	34
MOTOR LEG	28
PARTS INDEX	52
POWER HEAD	22
REED PLATE	14
REMOTE CONTROL	40
SPECIAL TOOLS - LOWER UNIT	46
SPECIAL TOOLS - LUBRICANTS AND SEALANTS	48
SPECIAL TOOLS - POWER HEAD	45
SPECIAL TOOLS - TEST EQUIPMENT	47
SPECIAL TOOLS - TUNE-UP	44
STARTER	18

NOTE: *Indented description indicate that these parts are included in preceeding assembly.*

AR = As Required

NSS = Not Sold Separate

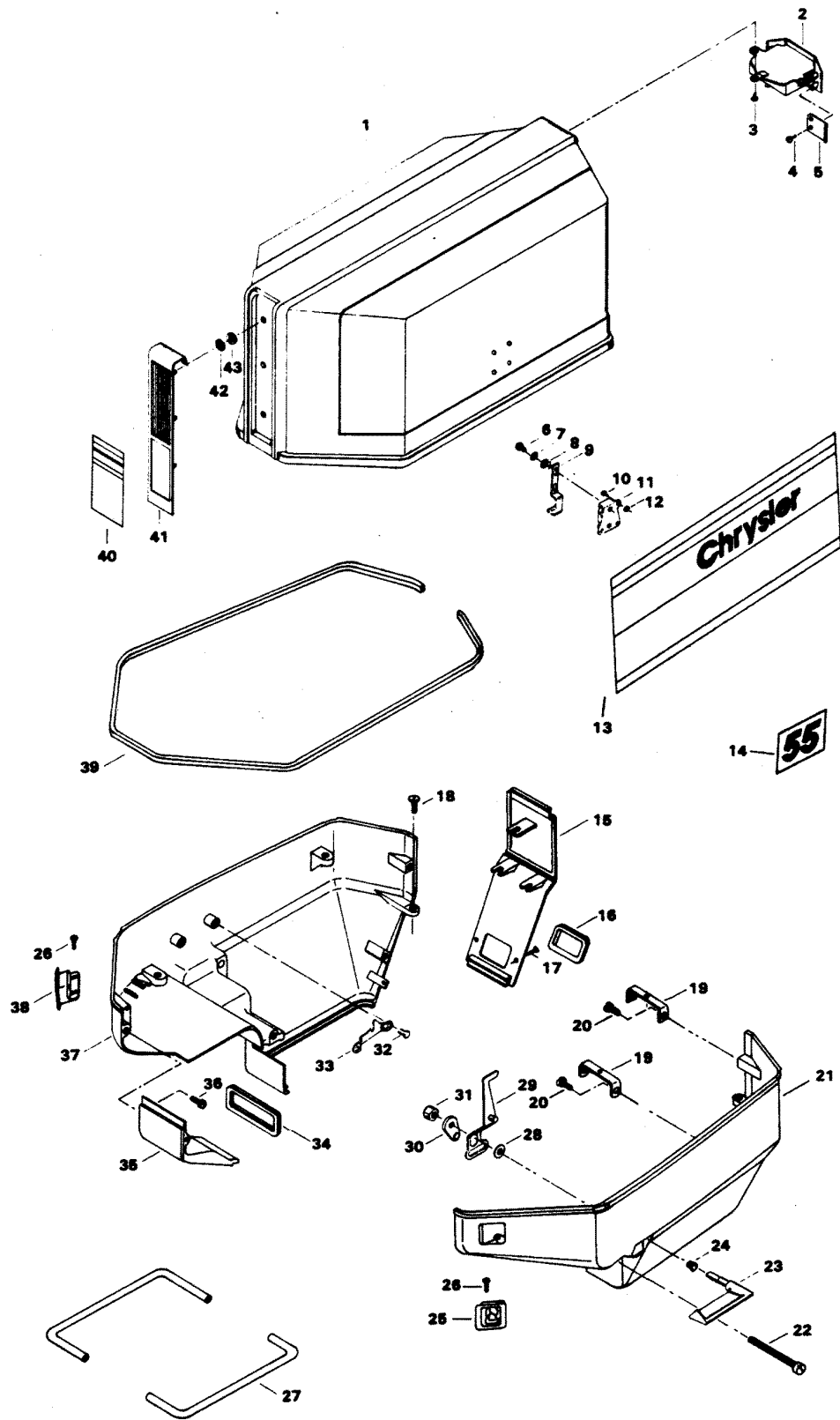
OPT = Optional

NS = Not Shown

THESE PARTS BOOKS/FICHE CARD ARE COPYRIGHTED AND MAY NOT BE DISTRIBUTED OR REPRODUCED IN ANY OTHER FORMAT BY ANYONE OTHER THAN MERCURY MARINE WITHOUT THE PRIOR WRITTEN CONSENT OF MERCURY MARINE.

THIS PAGE INTENTIONALLY LEFT BLANK

ENGINE COVER AND SUPPORT PLATE

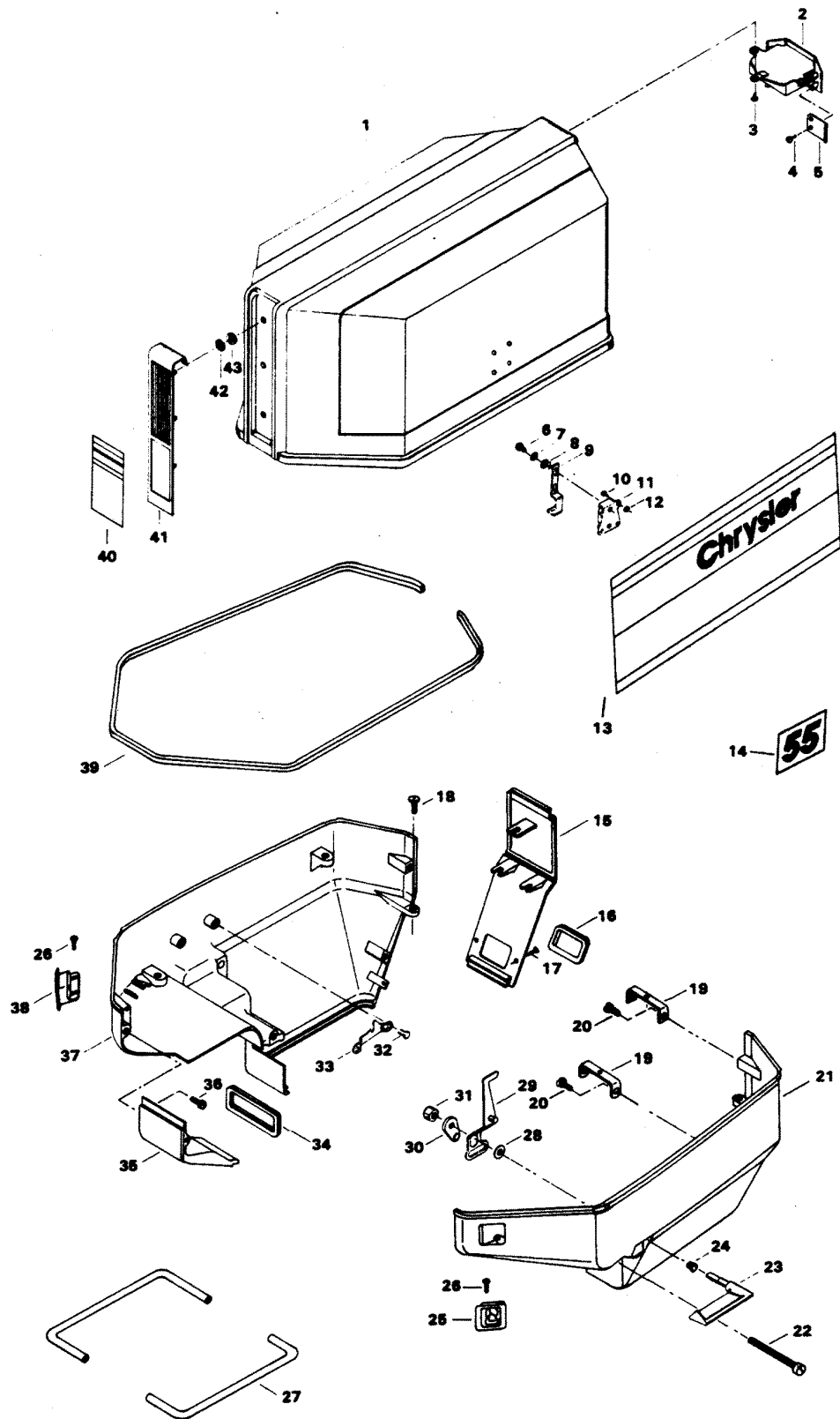


ENGINE COVER AND SUPPORT PLATE

REF. NO.	PART NO.	SYM.	QTY.	DESCRIPTION
1	100-818016A2		1	ENGINE COVER W/ILLUS. 10, 11, 44, 45 AND 46 ORIGINAL FORCE P/N S 547712-1
-	2C607712		1	ENGINE COVER COMPLETE. INCLUDES ITEMS MARKED WITH AN ASTERISK (*).
2	FA474269		1	TILT HANDLE W/LITERATURE
3	F2025		1	PAN HD SCREW, #10 X 5/8
4	F2066		4	PAN HD SCREW, #10 - 7/16
5	F463864		2	RETAINER, TILT HANDLE
6	F1854		4	HEX CAP SCREW, 1/4 - 20 X 5/8
7	F8083		4	LOCKWASHER
8	F8094		4	PLAIN WASHER
9	F474864		2	RETAINER, COVER LATCH
10	F1979		8	PAN HD SCREW, 10 - 24 X 1/2
11	FA474774		2	BRACKET, COVER LATCH W/ILLUS. 10 AND 12
12	F7011		8	STOP NUT
13	FA607397		1	DECAL, PORT W/LITERATURE
-	FA607396		1	DECAL, STARBOARD W/LITERATURE
14	FA607386		2	DECAL, NUMERAL W/LITERATURE
15	F547156		1	COVER, SUPPORT PLATE REAR
16	F474991		1	GROMMET
17	F2072		2	OVAL COUNTERSUNK HD M. SCREW 10 - 24 X 3/8
18	F2017		3	PAN HD SCREW W/PLAIN WASHER, 10 - 24 X 3/8
19	F474817		2	RETAINER, SUPPORT PLATE
20	F1689		4	HEX CAP SCREW, 1/4 - 20 X 1/2
21	FA474038		1	SUPPORT PLATE PORT W/LOWER PACKING
22	F2075		1	SLOTTED HD SCREW, S.S., 1/4 - 20 X 2 1/2
23	FA474469		1	HANDLE, COVER LATCH PORT ASSY.
-	FA474499		1	HANDLE, COVER LATCH STARBOARD ASSY.
24	F390689		2	BEARING, LATCH SHAFT
25	F549189		1	BUSHING, ELECTRIC CABLE ENTRY
26	F1733		3	PAN HD SCREW, 10 - 24 X 9/16
27	F474315		2	PACKING, SUPPORT PLATE LOWER
28	F269052		2	BEARING, LATCH CAM
29	FA474777		1	CAM, PORT LATCH ASSY.
-	FA474780		1	CAM, STARBOARD LATCH ASSY. (NOT SHOWN)
30	F474377		1	LEVER, COVER LATCH PORT
-	F474378		1	LEVER, COVER LATCH STARBOARD (NOT SHOWN)
31	F7025		2	LOCKNUT, 3/8 - 16
32	F1689		4	HEX CAP SCREW, 1/4 - 20 X 1/2
33	F474897		1	GUIDE, COVER LATCH STARBOARD
-	F474487		1	GUIDE, COVER LATCH PORT (NOT SHOWN)
34	FA475913		1	GROMMET (2 PER SET)
35	F474163		1	COVER, SUPPORT PLATE FRONT
36	F1854		2	HEX SLOTTED HD M. SCREW, 1/4 - 20 X 5/8

CONTINUED ON NEXT PAGE ➡

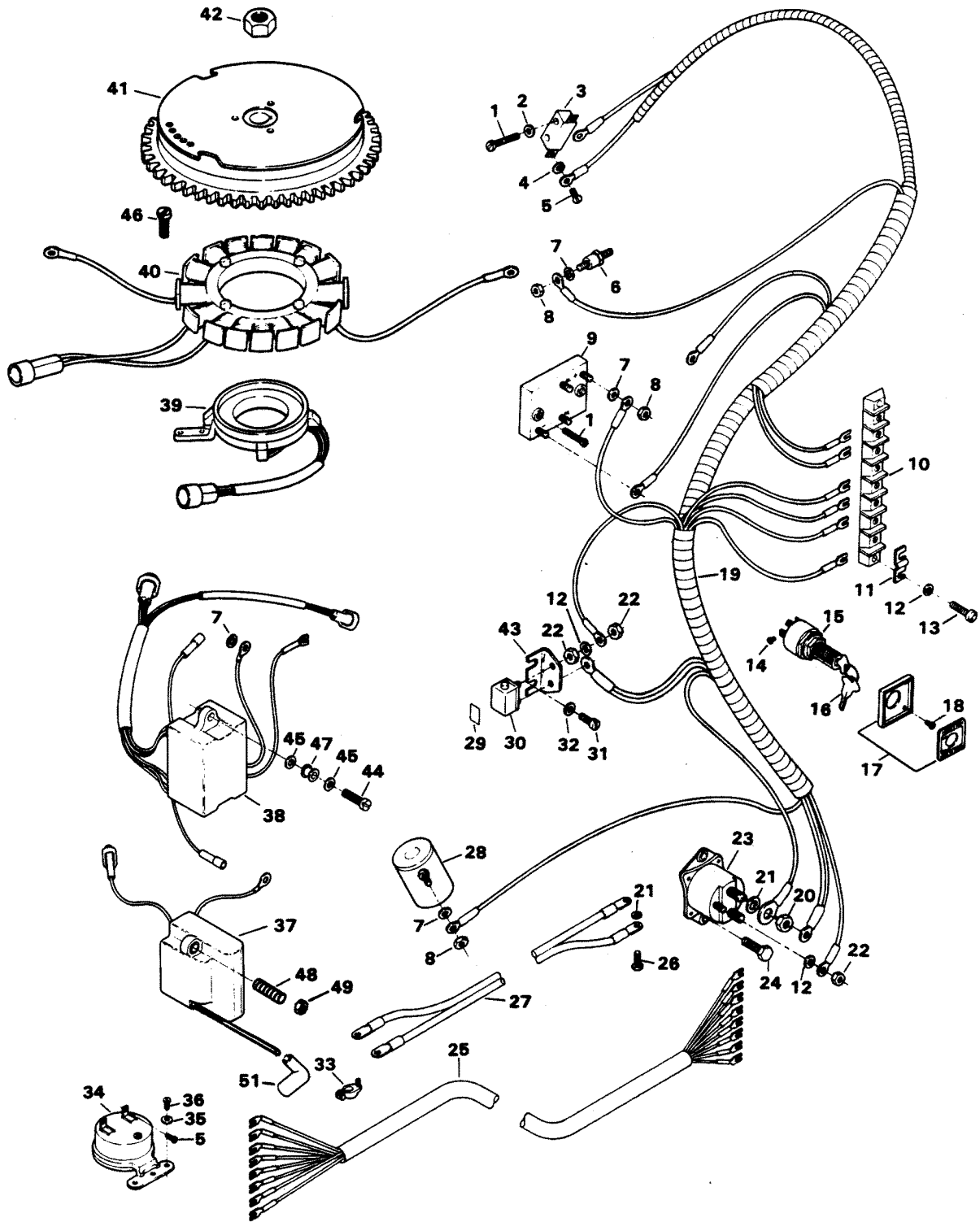
ENGINE COVER AND SUPPORT PLATE



ENGINE COVER AND SUPPORT PLATE

REF. NO.	PART NO.	SYM.	QTY.	DESCRIPTION
37	FA474088		1	SUPPORT PLATE STARBOARD W/LOWER PACKING
38	F545189		1	BUSHING, CABLE ENTRY
39	F474756		1	PACKING, SUPPORT PLATE FRONT
40	FA605892		1	DECAL, FRONT W/LITERATURE
41	F605711		1	FRONT PLATE
42	F85735-1		3	SEAL
43	F1753		3	FASTENER
44	F474985		2	BLANKET, SILENCER, SIDE (NOT SHOWN)
45	F474984		1	BLANKET, SILENCER, TOP (NOT SHOWN)
46	F474992		1	BLANKET, SILENCER, FRONT (NOT SHOWN)

ELECTRICAL COMPONENTS

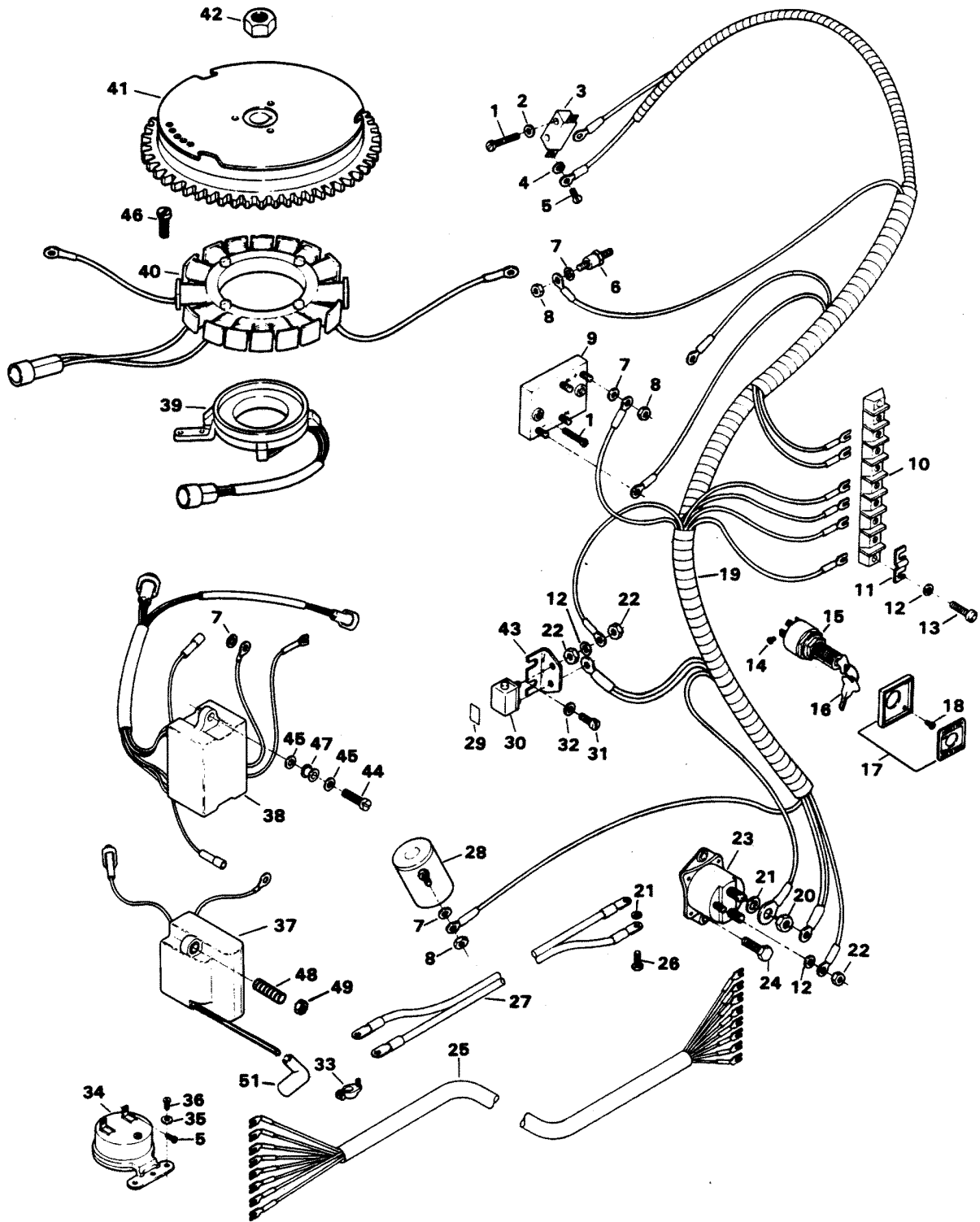


ELECTRICAL COMPONENTS

REF. NO.	PART NO.	SYM.	QTY.	DESCRIPTION
1	F2016		4	SLOTTED FILL HD SCREW, 6 - 32 X 7/8
2	F8088		2	PLAIN WASHER
3	F84449		1	NEUTRAL INTERLOCK SWITCH
4	F1704		2	INTERNAL TOOTH LOCKWASHER
5	F1645		4	RD HD SCREW, 6 - 32 X 1/4
6	F404449		1	THERMOSWITCH
7	F8056		6	SPRING LOCKWASHER
8	F1647		6	HEX NUT, 8 - 32
9	F369450		1	RECTIFIER
10	FA510497		1	TERMINAL BLOCK W/ILLUSTRATION 13 ORIGINAL FORCE P/N K 289497-2
11	F307317		2	CLIP, TERMINAL BLOCK GROUND
12	F1975		6	LOCKWASHER
13	F1974		2	PAN HD SCREW, 10 - 24 X 3/4
14	F1280		5	SLOTTED PAN HD SCREW, 8 - 32 X 1/4
15	F5H078		1	SWITCH, IGNITION (ACCESSORY ITEM) LONG BARREL W/KEYS AND SCREWS
16	FA368700		-	KEY IGNITION - NO LETTER OR STAMPED A
-	FB368700		-	KEY IGNITION - STAMPED B
-	FC368700		-	KEY IGNITION - STAMPED C
-	FD368700		-	KEY IGNITION - STAMPED D
-	FE368700		-	KEY IGNITION - STAMPED E
-	FA27232		1	EMERGENCY STARTER ROPE (NOT SHOWN)
17	F5H038		1	IGNITION SWITCH MOUNTING KIT (ACCESSORY ITEM)
-	817892--1		1	IGNITION SWITCH PLATE - CANADA (NOT SHOWN)
18	F1934		4	FLAT HD SCREW, 6 X 1/2
19	F475744		1	WIRING HARNESS
20	F1515		2	HEX NUT, S.S., 5/16 - 18
21	F8096		3	SPRING LOCKWASHER
22	F1513		6	HEX NUT, 10 - 32
23	F460917		1	STARTER RELAY
24	F1705		2	HEX CAP SCREW, 1/4 - 20 X 3/4
25	F85843-1		1	ELECTRIC CONTROL CABLE, 18 FEET
26	F1857		1	HEX CAP SCREW, 5/16 - 18 X 5/8
27	F381896-4		1	BATTERY CABLE
28	F85924		1	CHOKE SOLENOID
29	F510374		1	DECAL, CIRCUIT BREAKER - USA
-	FC510374		1	DECAL, CIRCUIT BREAKER - CANADA
30	F510460		1	CIRCUIT BREAKER
31	F1733		2	SLOTTED PAN HD SCREW, 10 - 24 X 9/16
32	F8011		2	PLAIN WASHER
33	F71H26		1	BATTERY TERMINAL KIT (ACCESSORY ITEM)
34	F5H043		1	BUZZER, HEAT INDICATOR, (ACCESSORY ITEM)
35	F8011		2	PLAIN WASHER

CONTINUED ON NEXT PAGE ➡

ELECTRICAL COMPONENTS

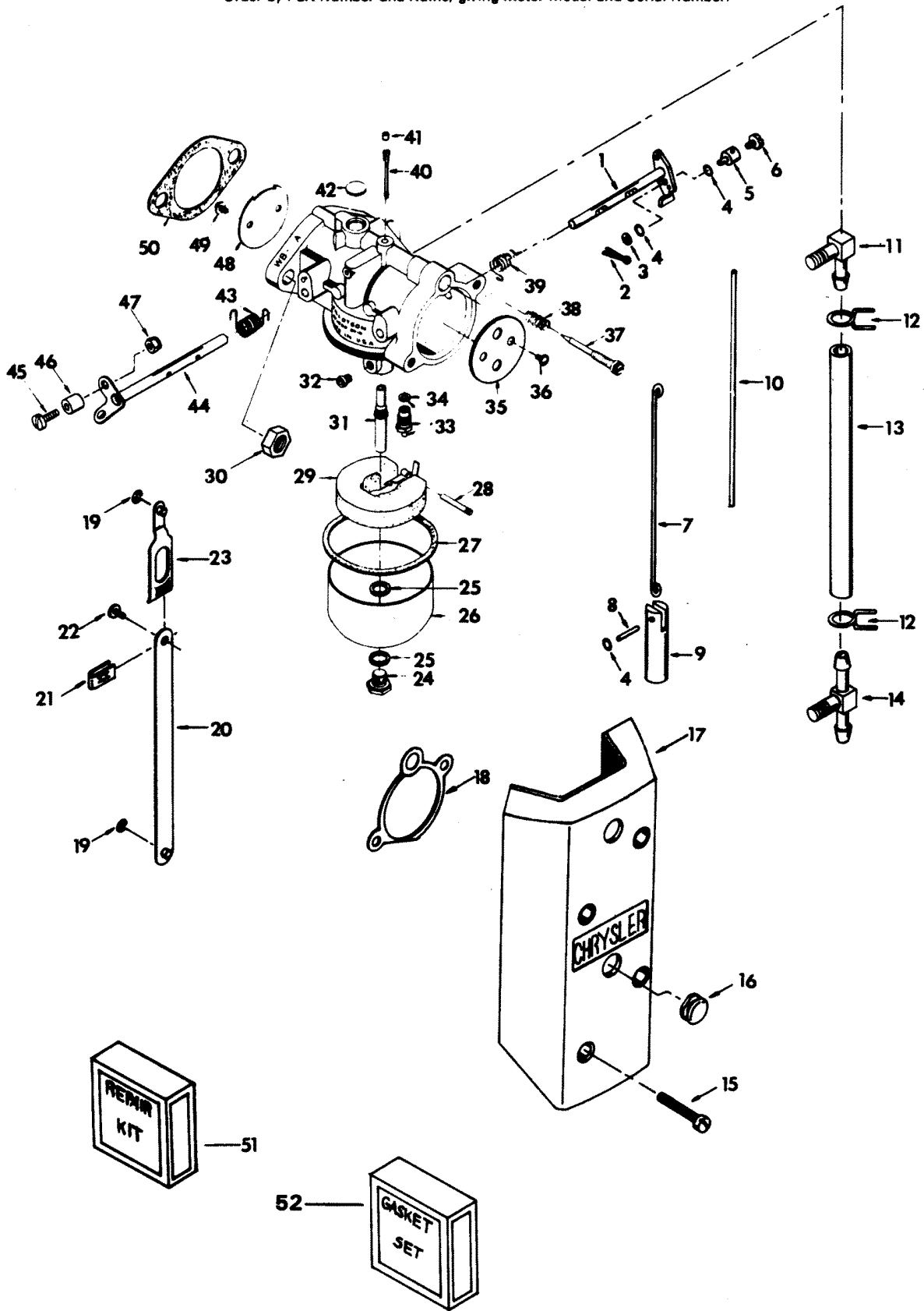


ELECTRICAL COMPONENTS

REF. NO.	PART NO.	SYM.	QTY.	DESCRIPTION
36	F1741		2	PAN HD SCREW, 8 X 3/4
37	F615475		2	IGNITION COIL
38	F475301-1		1	MODULE
39	F475029		2	TRIGGER ASSY.
40	F475095		1	ALTERNATOR STATOR
41	F475097		1	FLYWHEEL
42	F1968		1	HEX NUT, 3/4 - 16
43	F91446-1		1	CIRCUIT BREAKER BRACKET
44	F1038		4	SLOTTED PAN HD. SCREW 1/4 - 20 X 3/4
45	F8030		4	PLAIN WASHER
46	F1550		4	SLOTTED PAN HD. SCREW #12 - 24 X 1
47	F475504		2	BUSHING
48	F28004		2	STUD
49	F1832		2	NUT, LOCK 1/4 - 20
50	F1877		1	TY-RAP (NOT SHOWN)
51	FK1123		1	SPARKIE KIT

CARBURETOR

Order by Part Number and Name, giving Motor Model and Serial Number.



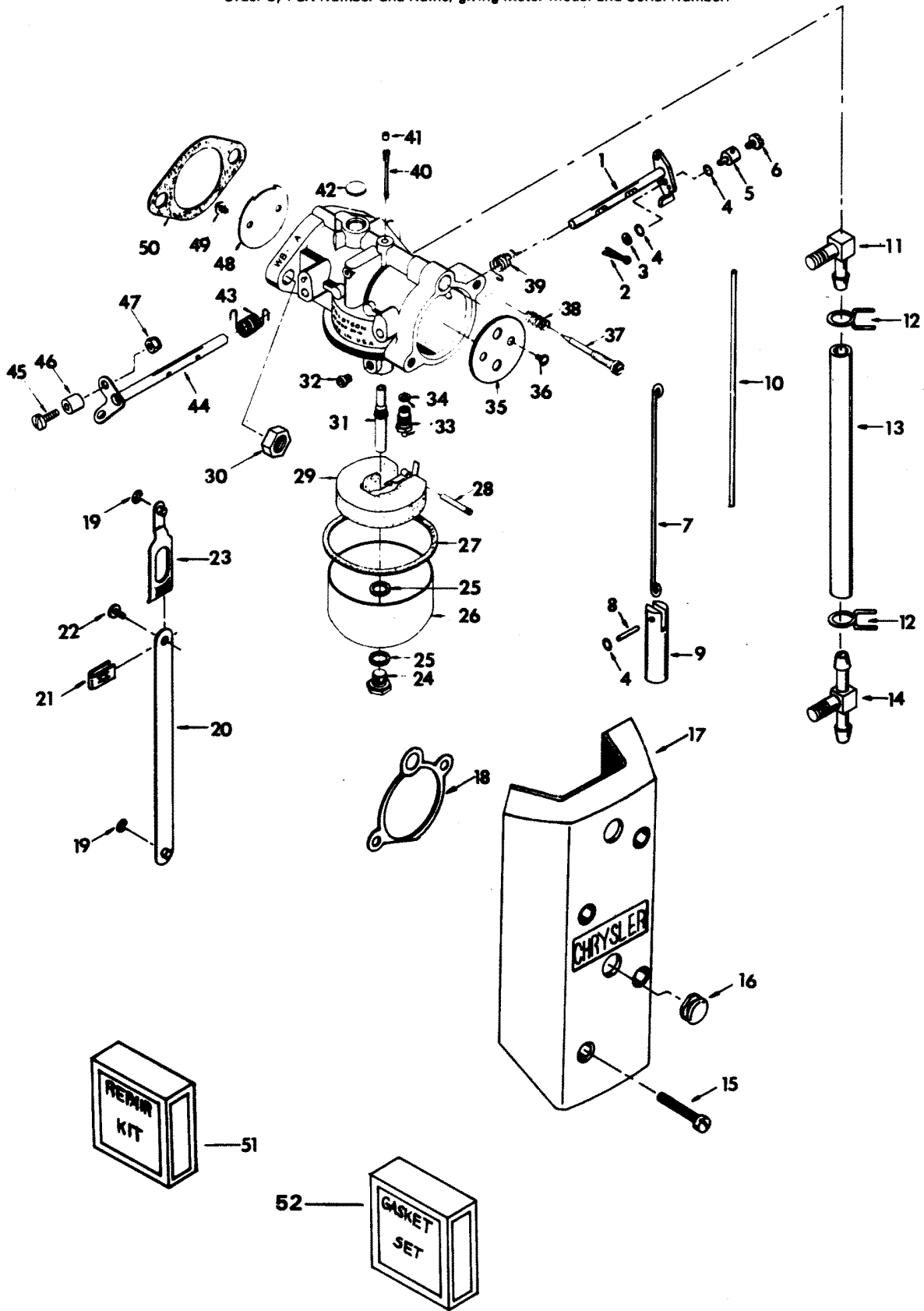
CARBURETOR

REF. NO.	PART NO.	SYM.	QTY.	DESCRIPTION
1	FO16850		1	CHOKE SHAFT AND LEVER
2	F1014		3	COTTER PIN
3	F8088		3	PLAIN WASHER
4	F184579		7	SEAL, CHOKE ARM SWIVEL
5	F184033-1		2	SWIVEL, CHOKE ROD
-	F522033		1	SWIVEL, CHOKE ROD FOR TOP CARB (NOT SHOWN)
6	F1059		2	FILL HD SCREW, 6 - 32 X 1/4
7	F85925		1	CHOKE SOLENOID ROD
8	F2033		1	GROOVE PIN
9	F391926-1		1	PLUNGER, CHOKE SOLENOID
10	F474509		1	CHOKE LINK
11	F84314-2		1	ELBOW, FUEL LINE
12	F97772		2	HOSE CLAMP
13	F474253		1	FUEL LINE
14	F85314-1		1	ELBOW, FUEL LINE FOR BOTTOM CARB.
15	F1034		4	FILL HD SCREW, 1/4 - 20 X 1 3/8
16	F53504		2	GROMMET
17	F522826		1	SILENCER, CARB AIR
18	F481836		2	GASKET
19	F90807		2	RETAINING RING
20	FA474511		1	TIE BAR W/SWIVEL
21	F1693		1	TIE BAR RETAINER
22	F1064		1	SLOTTED HD SCREW, 8 - 32 X 3/8
23	FA85193		1	TIE BAR END W/SWIVEL
24	FO13945		1	FUEL BOWL RETAINING SCREW
25	FO2510		2	GASKET, FUEL BOWL RETAINING SCREW
26	FO13552		1	FUEL BOWL
27	FO15623		1	FUEL BOWL GASKET
28	FO13944		1	FLOAT LEVER PIN
29	FO13554		1	FLOAT
31	FO15217		1	MAIN NOZZLE
32	FO14188		1	MAIN FUEL JET (.066) STD. SEA LEVEL - 3000 FT.
-	FO14108		-	MAIN FUEL JET. (.064) OPT. 3000 - 4500 FT.
-	FO14187		-	MAIN FUEL JET. (.062) OPT. 4500 - 6000 FT.
-	FO14186		-	MAIN FUEL JET. (.060) OPT. 6000 FT. & UP OPTIONAL SIZE MAIN OPTIONAL SIZE MAIN FUEL JET, USE ONLY AT ALTITUDES AS INDICATED ORIGINAL FORCE P/N 014486
33	FO10790		1	INLET NEEDLE, SEAT AND GASKET
34	FO10165		1	INLET SEAT GASKET
35	FO13555		1	CHOKE SHUTTER
36	FO8942		2	SHUTTER SCREW W/LOCKWASHER
37	FO13946		1	IDLE SCREW
38	FO11103		1	IDLE SCREW SPRING
39	FO13947		1	CHOKE SHAFT RETURN SPRING

CONTINUED ON NEXT PAGE ➡

CARBURETOR

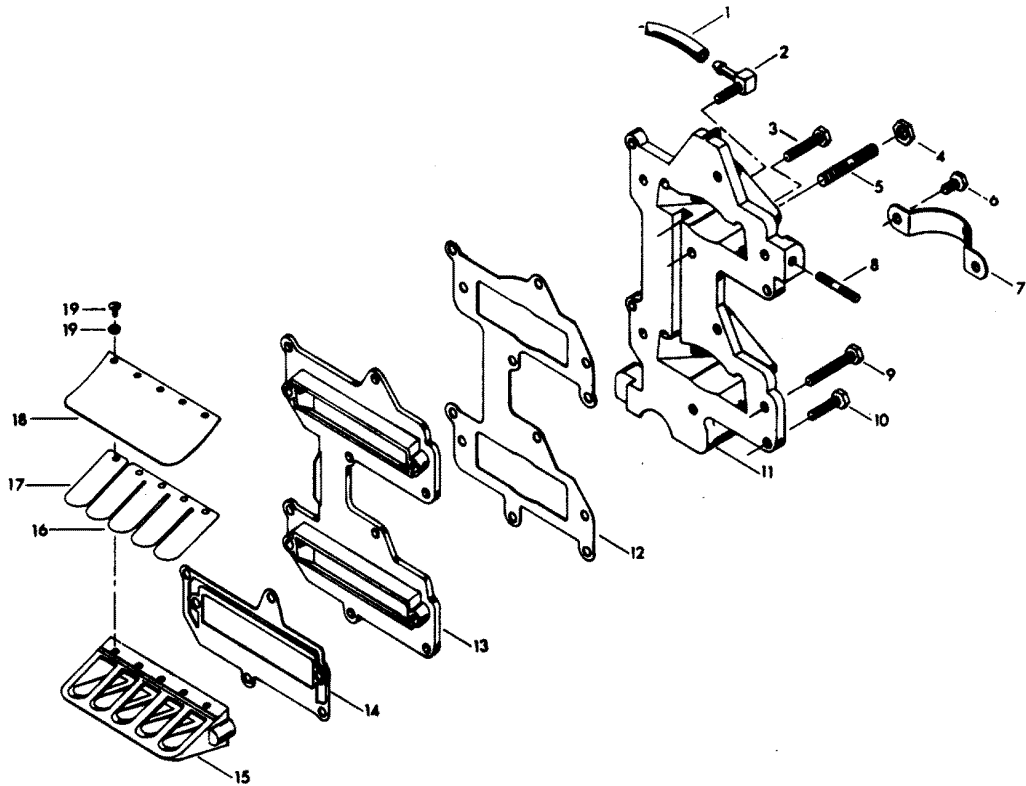
Order by Part Number and Name, giving Motor Model and Serial Number.



CARBURETOR

REF. NO.	PART NO.	SYM.	QTY.	DESCRIPTION
40	FO17181		1	IDLE TUBE
41	FO10588		1	BODY CHANNEL CUP PLUG
42	FO4326		1	BODY CHANNEL WELCH PLUG
43	FO16008		1	THROTTLE SHAFT RETURN SPRING
44	FO15230		1	THROTTLE SHAFT AND LEVER
45	F333316		1	THROTTLE ROLLER SHAFT
46	F92759		1	THROTTLE ROLLER
47	F1997		1	LOCK NUT, 8 - 32
48	FO16851		1	THROTTLE SHUTTER
49	FO8942		2	THROTTLE SHUTTER SCREW W/LOCKWASHER
50	F40906-1		2	CARBURETOR GASKET
-	F475061-1		2	CARBURETOR COMPLETE (WB27B) (NOT SHOWN)
51	F10053		1	REPAIR PARTS KIT. INCLUDES ALL ITEMS MARKED WITH AN ASTERISK (*)
52	FK10000		1	GASKET SET. INCLUDES ALL ITEMS MARKED WITH A DOUBLE ASTERISK (**)

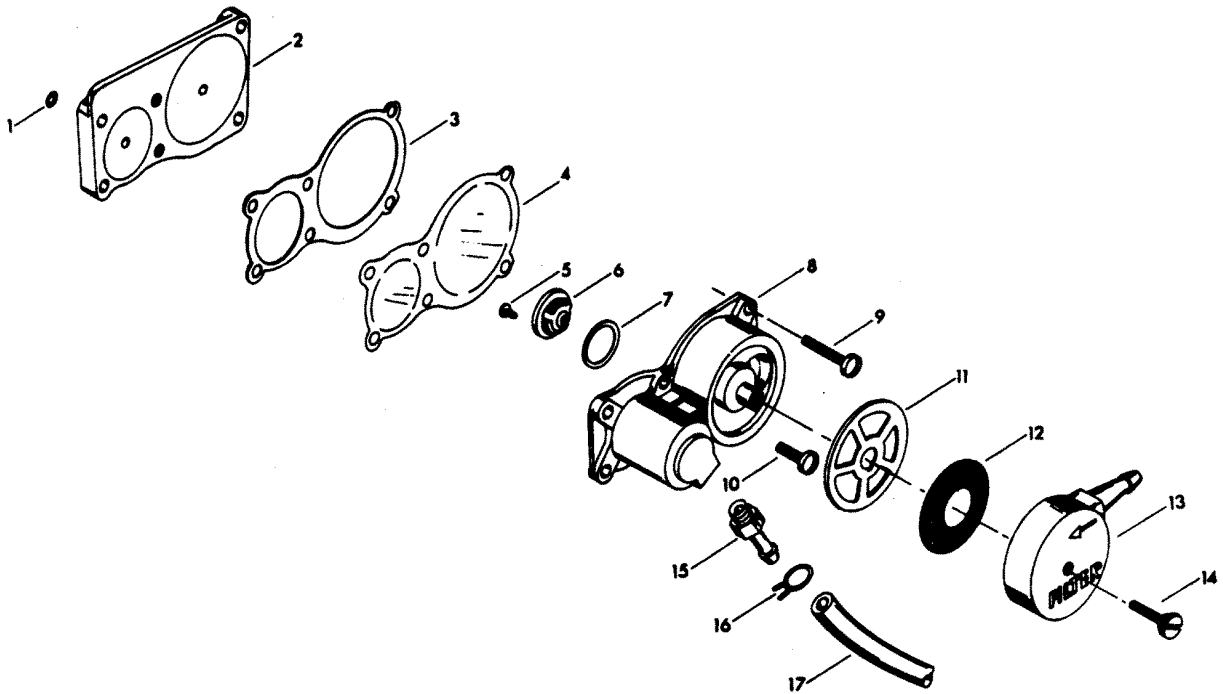
REED PLATE



REED PLATE

REF. NO.	PART NO.	SYM.	QTY.	DESCRIPTION
1	F406754-1		1	DRAIN HOSE
2	22-817740A1		1	PUDDLE DRAIN FITTING W/METERING CUP
3	F1916		1	HEX HD M. SCREW, 1/4 - 20 X 1 1/8
4	F1515		4	HEX NUT, 5/16 - 18
5	F40209		4	CARBURETOR STUD
6	F1236		2	HEX CAP SCREW, 1/4 - 20 X 1/2
7	F85317-1		1	SOLENOID CLAMP
9	F1708		4	HEX HD M. SCREW, 1/4 - 20 X 1 3/8
10	F2008		7	HEX HD M. SCREW, 1/4 X 20 X 7/8
11	F474167		1	CARBURETOR ADAPTER
12	F474168		1	CARBURETOR ADAPTER GASKET
13	F474162		1	REED PLATE ADAPTER
14	F85168		2	REED PLATE ADAPTER GASKET
15	F2A335158		2	REED PLATE W/ILLUS. 16, 17, 18 AND 19
16	F335160		4	REED (4 PETAL)
17	F335164		4	REED (1 PETAL)
18	F85161-1		4	REED STOP
19	F1755		20	ROUND HD SCREW W/LOCKWASHER, 6 - 32 X 5/16

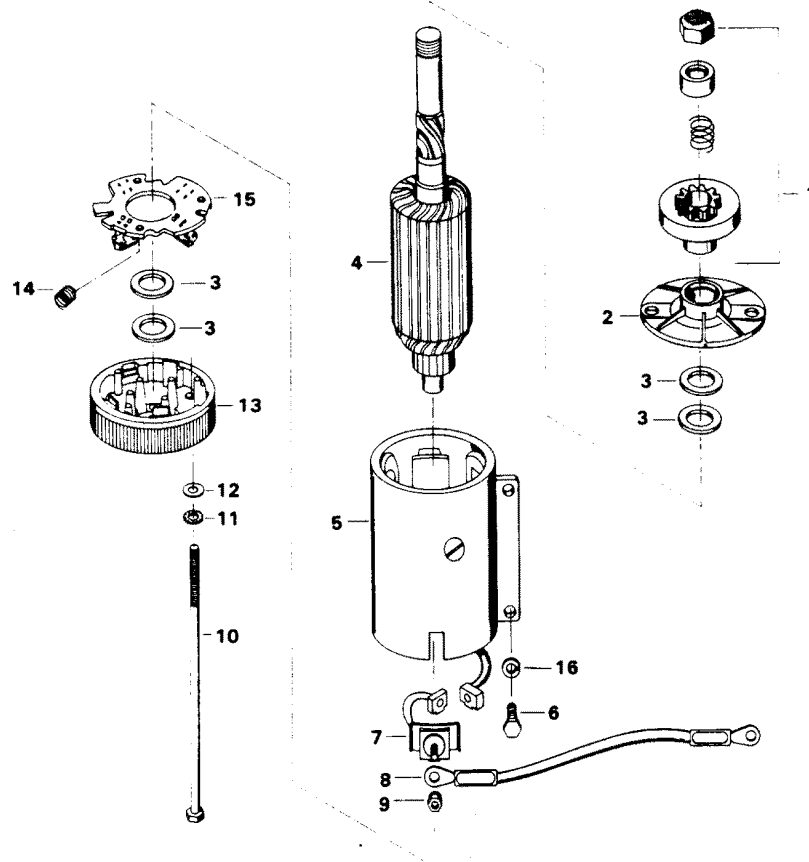
FUEL PUMP



FUEL PUMP

REF. NO.	PART NO.	SYM.	QTY.	DESCRIPTION
1	F50342-1		2	SEAL
2	F474746		1	FUEL PUMP COVER
3	F438760		1	FUEL PUMP GASKET
4	F438747		1	FUEL PUMP DIAPHRAGM
5	F1860		2	SLOTTED HD M. SCREW, 6 - 32 X 1/4
6	F177330		3	FUEL PUMP VALVE
7	F84792		1	FUEL PUMP VALVE GASKET (CENTER VALVE)
8	FA438431		1	FUEL PUMP BODY W/ILLUS. 5, 6 AND 7
9	F1889		4	FILL HD SCREW, 1/4 - 20 X 1 1/4
10	F1108		2	FILL HD SCREW, 1/4 - 20 X 3/4
11	F438617		1	FUEL SEDIMENT BOWL GASKET
12	F438653		1	FUEL PUMP SCREEN
13	F438500		1	FUEL SEDIMENT BOWL
14	F438165		1	SCREW, FUEL BOWL
15	F438801		1	FITTING
16	F97772		3	FUEL LINE CLAMPS
17	F438754		1	FUEL LINE, PUMP TO CARBURETOR

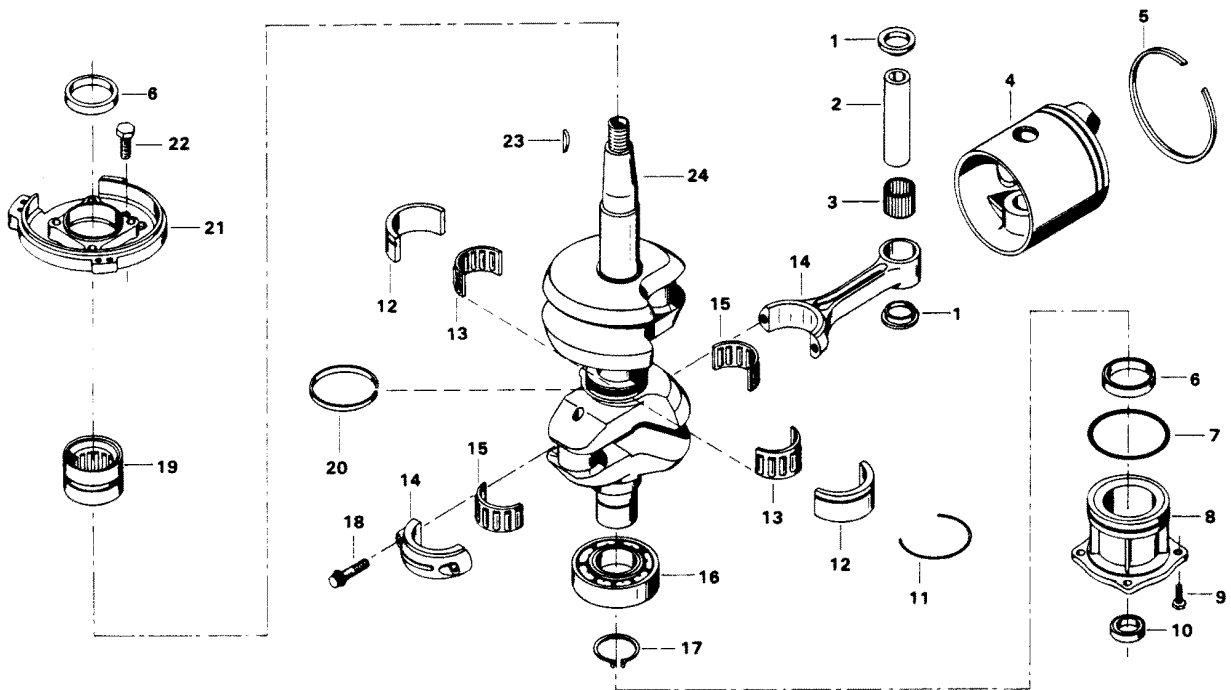
STARTER



STARTER

REF. NO.	PART NO.	SYM.	QTY.	DESCRIPTION
1	F15100		1	BENDIX DRIVE
2	F15120		1	HEAD ASSEMBLY, DRIVE END
3	F15126		1	THRUST WASHER PACKAGE
4	F15099		1	ARMATURE
6	F1822		3	HEX CAP SCREW, 5/16 - 18 X 7/8
7	F15165		1	BRUSH AND TERMINAL SET
8	F307908		1	STARTER WIRE
9	FA15072		1	HEX LOCK NUT AND WASHER ASSEMBLY, 1/4 -20
10	F15123		1	THRU BOLT PACKAGE
11	F8060		2	LOCKWASHER
12	F8028		2	PLAIN WASHER
13	F15125		1	HEAD ASSEMBLY, COMMUTATOR END
14	F15034		1	SPRING SET
15	F15057		1	BRUSH PLATE AND HOLDER
16	F8096		3	SPRING LOCKWASHER
-	F475955		1	STARTER COMPLETE. INCLUDES ITEMS MARKED WITH AN ASTERISK (*).
-	FC522390		1	DECAL, STARTER - CANADA (NOT SHOWN)

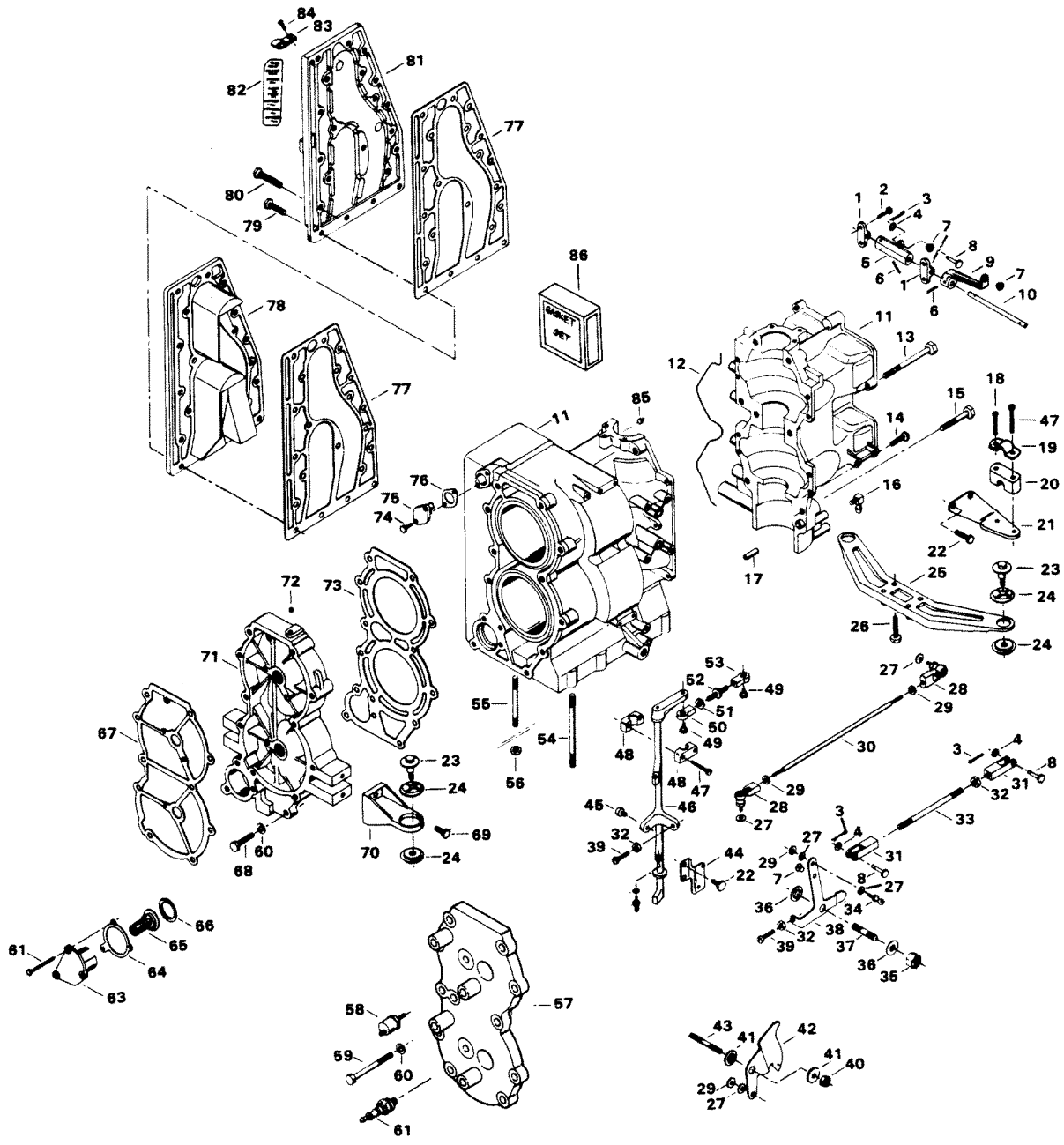
CRANKSHAFT AND PISTON GROUP



CRANKSHAFT AND PISTON GROUP

REF. NO.	PART NO.	SYM.	QTY.	DESCRIPTION
1	F522215		4	SPACER (2 PER PISTON)
2	F522017		2	PISTON PIN
3	F522217		2	BEARING
4	F522015		2	PISTON (STANDARD)
-	FSA522015		2	PISTON (.010 OVERSIZE)
-	700-818127A1		2	PISTON (.030 OVERSIZE)
5	39-817820A1		1	PISTON RING SET (4 PER SET) - (STANDARD)
-	FSA474260		1	PISTON RING SET (4 PER SET - .010 OVERSIZE)
-	39-818122A1		1	PISTON RING SET (4 PER SET - .030 OVERSIZE)
6	F474146		2	SEAL, CRANKSHAFT
7	F84278		1	SEAL
8	31-818060A1		1	BEARING CAGE LOWER W/SEALS (ITEMS 6, 7 & 10)
9	F1846		3	HEX CAP SCREW, 1/4 - 20 X 3/4
10	F474278		1	SEAL
11	F85410		1	SNAP RING
12	FA85655-1		1	CRANKSHAFT CENTER MAIN BEARING RACE W/ILLUS. 11
13	F85571		1	CENTER MAIN BEARING CAGE W/ROLLERS
14	FA522016		2	CONNECTING ROD W/ILLUS. 18 ORIGINAL FORCE P/N A 522106
15	FA474228		2	BEARING CAGE W/ROLLERS (SPLIT HALF)
16	F284659-2		1	CRANKSHAFT LOWER MAIN BEARING
17	F2045		1	RETAINING RING
18	F435634		4	CONNECTING ROD SCREW
19	F474013		1	CRANKSHAFT UPPER MAIN BEARING
20	F316579		1	SEAL, CRANKCASE
21	1100-818067A3		1	CRANKSHAFT UPPER BEARING CAGE W/ILLUS. 6 ORIGINAL FORCE P/N 2A 522144-1
22	F1136		6	SCREW, 1/4 - 20 X 1
23	F85498		1	FLYWHEEL KEY
24	FA547018		1	CRANKSHAFT W/ILLUS. 16 AND 17
-	F2067		1	PLASTISOL CAP (NOT SHOWN)

POWER HEAD

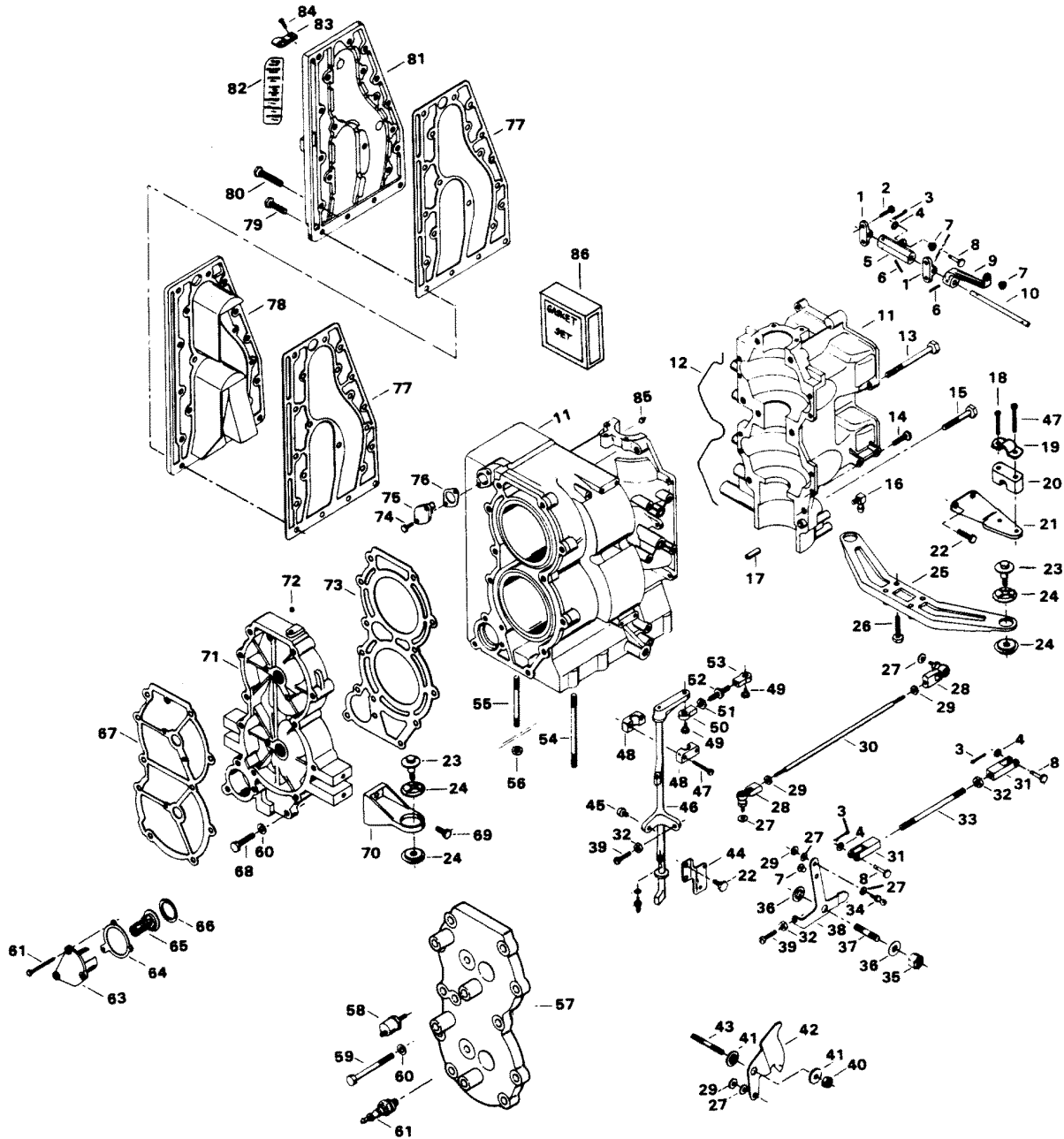


POWER HEAD

REF. NO.	PART NO.	SYM.	QTY.	DESCRIPTION
1	F85689-1		2	BEARING
2	F1475		4	SLOTTED FILL HD SCREW, 10 - 24 X 1/2
3	F1017		3	COTTER PIN
4	F8094		3	PLAIN WASHER
5	F474640		1	PIVOT, GEAR SHIFT
6	F8547		2	SPRING PIN
7	F183818		3	BEARING, GEAR SHIFT COUPLER
8	F474620		3	PIN, GEAR SHIFT
9	F474621		1	LEVER, GEAR SHIFT
10	F474871		1	SHAFT, GEAR SHIFT
11	800-817860A1		1	CYLINDER W/CRANKCASE COVER AND ILLUS. 12, 13, 15, 17, 54, 55 AND 85 ORIGINAL FORCE P/N A 547010-1
-	800-817911A1		1	SHORT BLOCK (NOT SHOWN). INCLUDES ALL ITEMS MARKED WITH AN ASTERISK (*). ALSO REFER TO CRANKSHAFT AND PISTON PAGE. ORIGINAL FORCE P/N C 547010-1
12	F269122-1		1	CRANKCASE PARTING LINE SEAL
13	F1873		2	HEX CAP SCREW, 3/8 - 16 X 3
14	F1864		12	HEX HD SCREW, 1/4 - 20 X 3/4
15	F1872		4	HEX CAP SCREW, 3/8 - 16 X 1 3/4
16	22-817740A1		1	FITTING, PUDDLE DRAIN W/METERING CAP
17	F8563		2	DOWEL PIN
18	F1829		1	SLOTTED FILL HD SCREW, 10 - 24 X 7/8
19	F154317		1	CABLE CLAMP
20	F474932		1	SPACER, CONTROL CABLE
21	F474371		1	REMOTE CABLE BRACKET
22	F1922		4	HEX CAP SCREW, 1/4 - 20 X 5/8
23	F458887		4	FASTENER, SUPPORT PLATE MOUNT
24	F458347		8	MOUNT
25	F474980-1		1	STABILIZER, FRONT
26	F2071		4	HEX CAP SCREW, 5/16 - 18 X 1 3/8
27	F8058		6	INTERNAL TOOTH LOCKWASHER
28	817747--1		2	BALL JOINT W/BEARING
29	F1513		4	HEX NUT, 10 - 32
30	F474193		1	THROTTLE LINK
31	F474704		2	COUPLER
32	F1341		3	HEX NUT, 1/4 - 20
33	F474881		1	LINK, GEAR SHIFT
34	F98273		2	ROD END CONNECTOR STUD
35	F7025		1	STOP NUT, S.S., 3/8 - 16
36	F269052		2	SHIFT ARM BEARING
37	F474859		1	STUD, SHIFT ARM
38	F522876		1	SHIFT ARM
39	F1052		2	FILL HD M. SCREW, 1/4 - 20 X 1

CONTINUED ON NEXT PAGE ➡

POWER HEAD

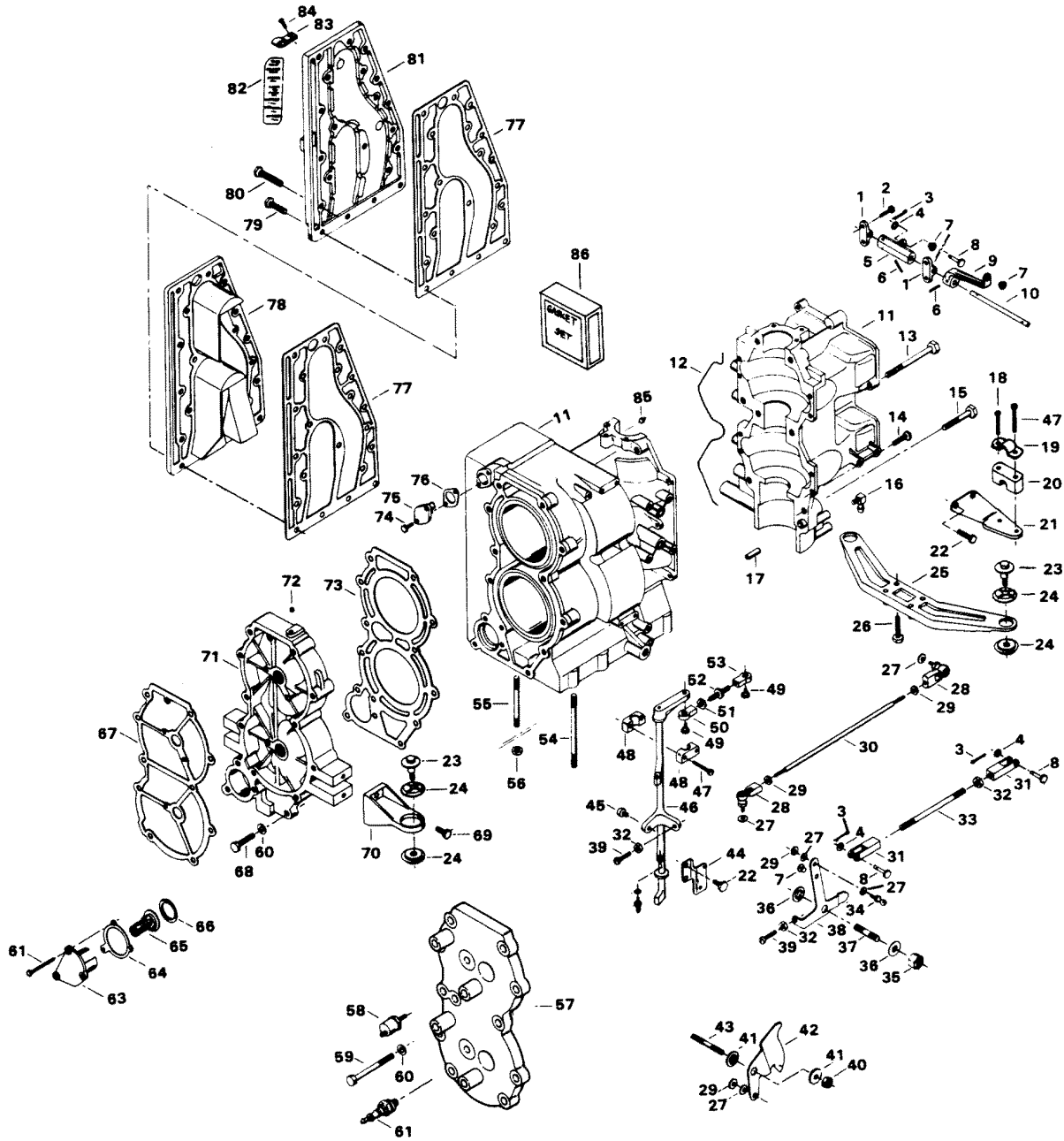


POWER HEAD

REF. NO.	PART NO.	SYM.	QTY.	DESCRIPTION
40	F1910		1	ELASTIC STOP NUT, 1/4 - 20
41	F269319		2	THROTTLE CAM BEARING
42	F474192		1	THROTTLE CAM
43	F433209-1		1	STUD, THROTTLE CAM
44	F474551		1	BRACKET, INTERLOCK SWITCH
45	F1727		1	PLASTIC RIVET
46	F474838-1		1	TOWERSHAFT
47	F1995		5	FILL HD SCREW, 10 - 24 X 1
48	F433689		4	TOWERSHAFT BEARING
49	F84026		2	SPARK CONTROL SWIVEL
50	F84035-2		1	SPARK CONTROL BEARING, R.H.
51	F1473		1	HEX NUT, 10 - 24
52	F474445		1	SPARK CONTROL LINK
53	F84036		1	SPARK CONTROL BEARING, L.H.
54	F474211		8	STUD, CYLINDER
55	F474210		1	STUD, CYLINDER
56	F7006		9	LOCK NUT, 5/16 - 18
57	F522995		1	CYLINDER HEAD COVER
59	F2049		10	HEX CAP SCREW, 5/16 - 18 X 2 5/8
60	F1987		11	PLAINWASHER
61	33-97180		2	SPARK PLUG (L-20V) - USA
-	C523227		2	SPARK PLUG (QL-76V)
62	F2051		3	HEX CAP SCREW, 1/4 - 20 X 2 1/4
63	F474066		1	THERMOSTAT COVER
64	F474067		1	THERMOSTAT COVER GASKET
65	F84068-2		1	THERMOSTAT
66	F84504		1	THERMOSTAT GROMMET
67	F474996-1		1	CYLINDER HEAD COVER GASKET
68	F2076		1	HEX CAP SCREW, 5/16 - 18 X 1 1/8
69	F1902		4	HEX CAP SCREW, 5/16 - 18 X 3/4
70	F474982		2	STABILIZER, REAR
71	FA547518		1	CYLINDER HEAD W/ILLUS. 72
72	F19109		1	PLUG, CYLINDER HEAD
73	F474529-2		1	CYLINDER HEAD GASKET
74	F1913		2	HEX CAP SCREW, 10 - 24 X 5/8
75	F438066		1	COVER, BY-PASS VALVE
76	F85762		1	GASKET, BY-PASS VALVE COVER
77	F474154		2	EXHAUST PORT PLATE GASKET
78	F474151		1	EXHAUST PORT PLATE
79	F1532		4	HEX CAP SCREW, 1/4 - 20 X 1
80	F1581		17	HEX CAP SCREW, 1/4 - 20 X 1 1/4
81	F474152		1	EXHAUST PORT COVER
82	FC474398		1	DECAL, WIRING

CONTINUED ON NEXT PAGE ➡

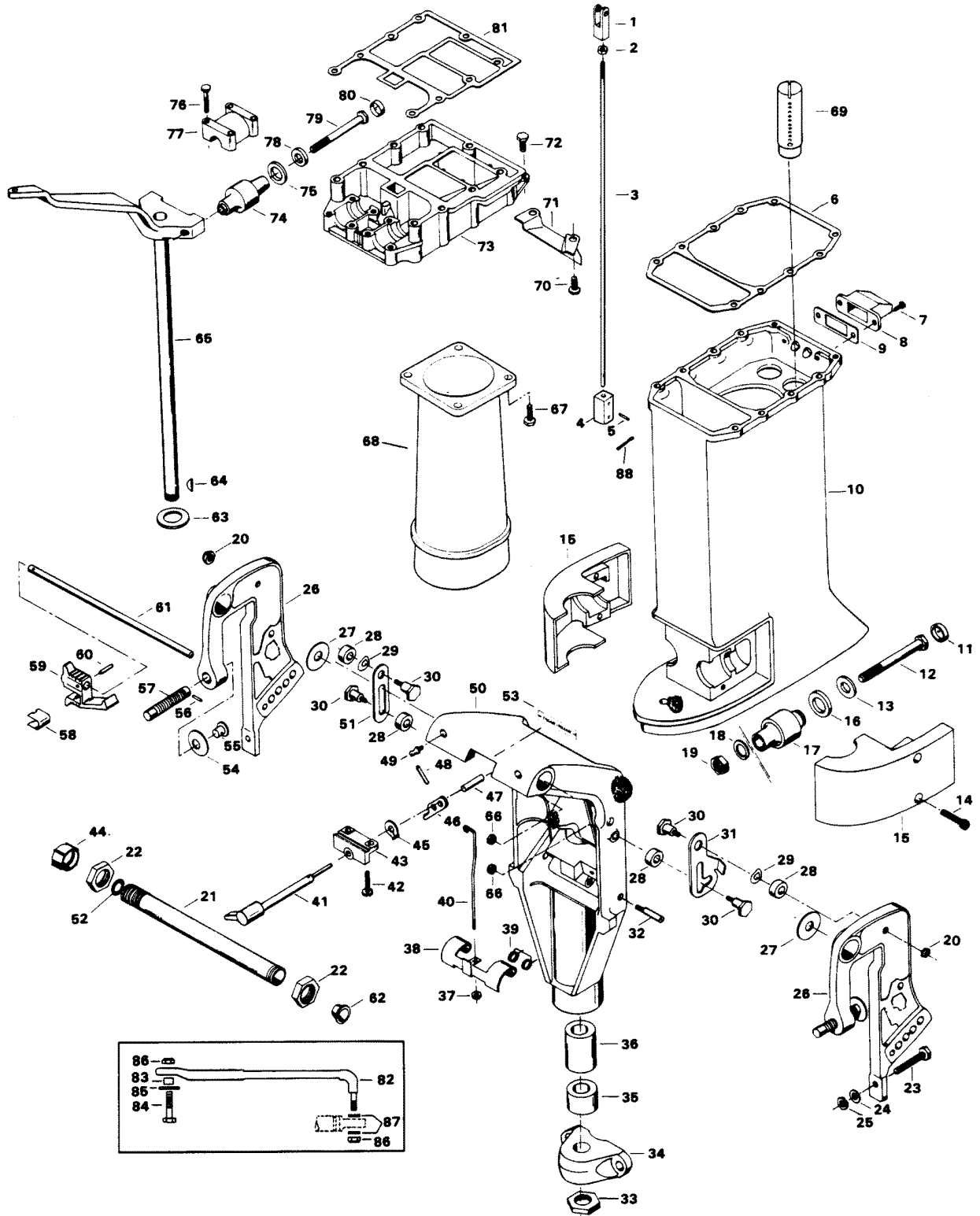
POWER HEAD



POWER HEAD

REF. NO.	PART NO.	SYM.	QTY.	DESCRIPTION
83	F289446-1		1	CLAMP
84	F1734		1	SLOTTED FILL HD SCREW & LOCKWASHER, 1/4 - 20 X 1/2
85	F474909		2	LOCATING PIN
86	FG1013-1		1	GASKET SET. INCLUDES THE FOLLOWING
-	F40906-1		2	CARBURETOR GASKET
-	F85168		2	REED PLATE ADAPTER GASKET
-	F85762		1	BY-PASS VALVE COVER GASKET
-	F474067		1	THERMOSTAT COVER GASKET
-	F474154		2	EXHAUST PORT COVER GASKET
-	F474168		1	CARBURETOR ADAPTER GASKET
-	F474279		1	CYLINDER EXHAUST GASKET
-	F474529-1		1	CYLINDER HEAD GASKET
-	F474867		1	EXHAUST TUBE GASKET
-	F474996-1		1	CYLINDER HEAD COVER GASKET
-	F522279		1	CYLINDER EXHAUST GASKET
-	F522867		1	EXHAUST TUBE GASKET

MOTOR LEG

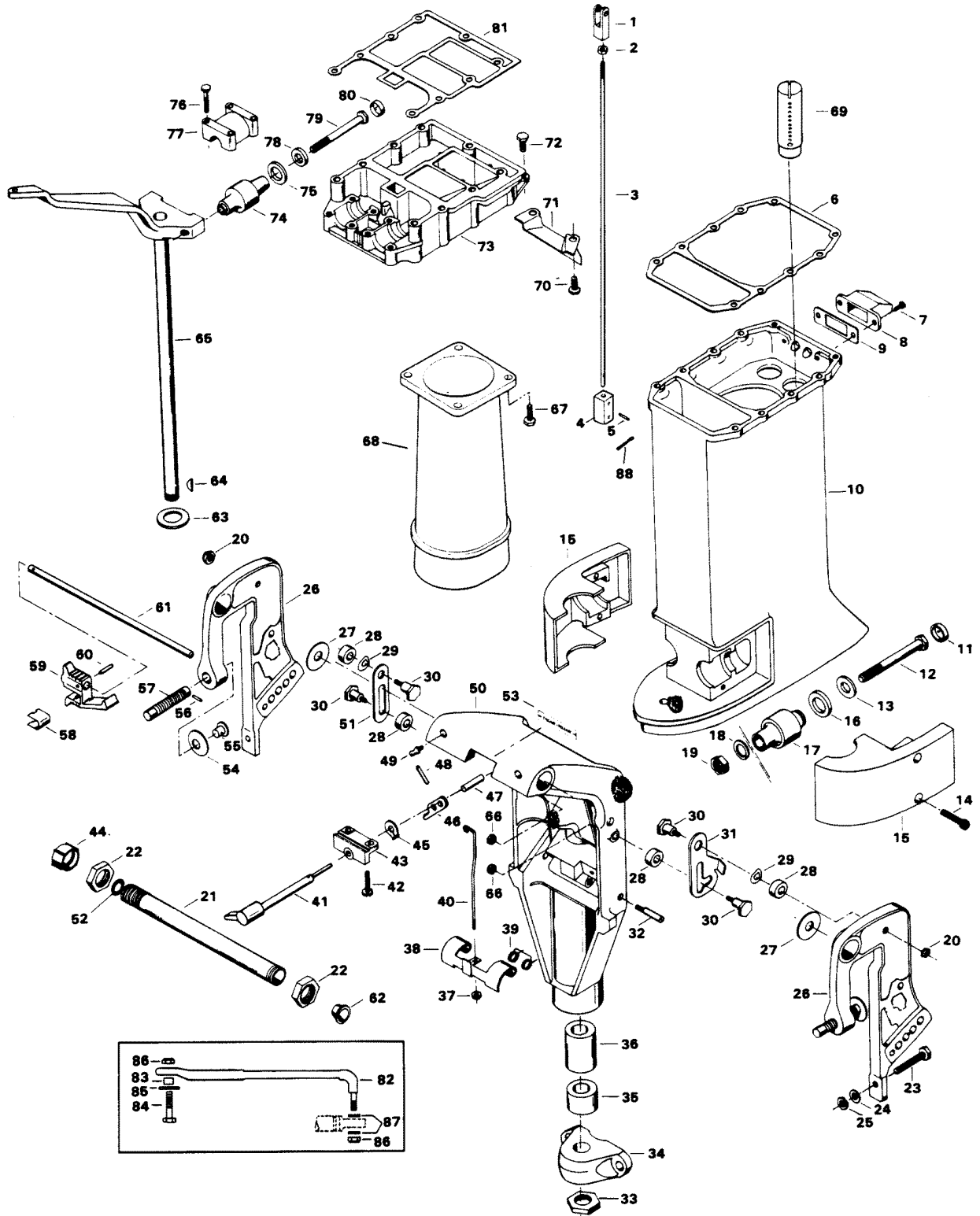


MOTOR LEG

REF. NO.	PART NO.	SYM.	QTY.	DESCRIPTION
1	F474704		1	COUPLER, SHIFT ROD
2	F1341		1	HEX NUT, 1/4 - 20
3	F522615		1	ROD, GEAR SHIFT - UPPER
4	F522704		1	COUPLING, GEAR SHIFT ROD
5	F85372		1	SPRING PIN
6	F522453		1	LEG EXHAUST GASKET
7	F1705		2	HEX CAP SCREW, 1/4 - 20 X 3/4
8	F474832-1		1	IDLE RELIEF COVER
9	F474833		1	GASKET, IDLE RELIEF COVER
10	F522133		1	MOTOR LEG
11	F474539		2	BUMPER
12	F2069		2	HEX CAP SCREW, 7/16 - 14 X 4
13	F474359		2	WASHER
14	F1257		4	HEX SOCKET HD CAP SCREW, S.S., 5/16 - 18 X 1 1/4
15	F522707		2	SHOCK MOUNT COVER, LOWER
16	F474847		2	WASHER
17	F474346-2		2	SHOCK MOUNT LOWER
18	F8067		2	SPRING LOCKWASHER
19	F2065		2	HEX NUT, 7/16 - 14
20	F7007		2	STOP NUT, 5/16 - 18
21	F522125-1		1	TUBE, STEERING SUPPORT
22	F1600		2	LOCK NUT
23	F1593		2	HEX HD SCREW, S.S., 3/8 - 16 X 3
24	F1904		2	PLAIN WASHER
25	F1346		2	HEX NUT, 3/8 - 16
26	F522032		1	STERN BRACKET - STARBOARD
-	F522532		1	STERN BRACKET - PORT
27	F522286		2	STERN BRACKET FRICTION WASHER
28	F269929		4	SPACER, TILT STOP
29	F1666		2	BOWED SPRING WASHER
30	F366350		4	TILT STOP PIVOT
31	F366426		1	TILT STOP - PORT
32	F366886		2	PIN
33	F84280		1	KING PIN NUT
34	F474607		1	KING PIN YOKE
35	F474990		1	SPACER
36	F191169-1		2	SWIVEL BRACKET BEARING
37	F1669		1	LOCK NUT
38	F366349		1	REVERSE LOCK
39	F366300		2	REVERSE LOCK SPRING
40	F474510		1	LINK
41	FA522827		1	HANDLE AND SHAFT
42	F1733		2	PAN HD SCREW, 10 - 24 X 9/16

CONTINUED ON NEXT PAGE ➡

MOTOR LEG

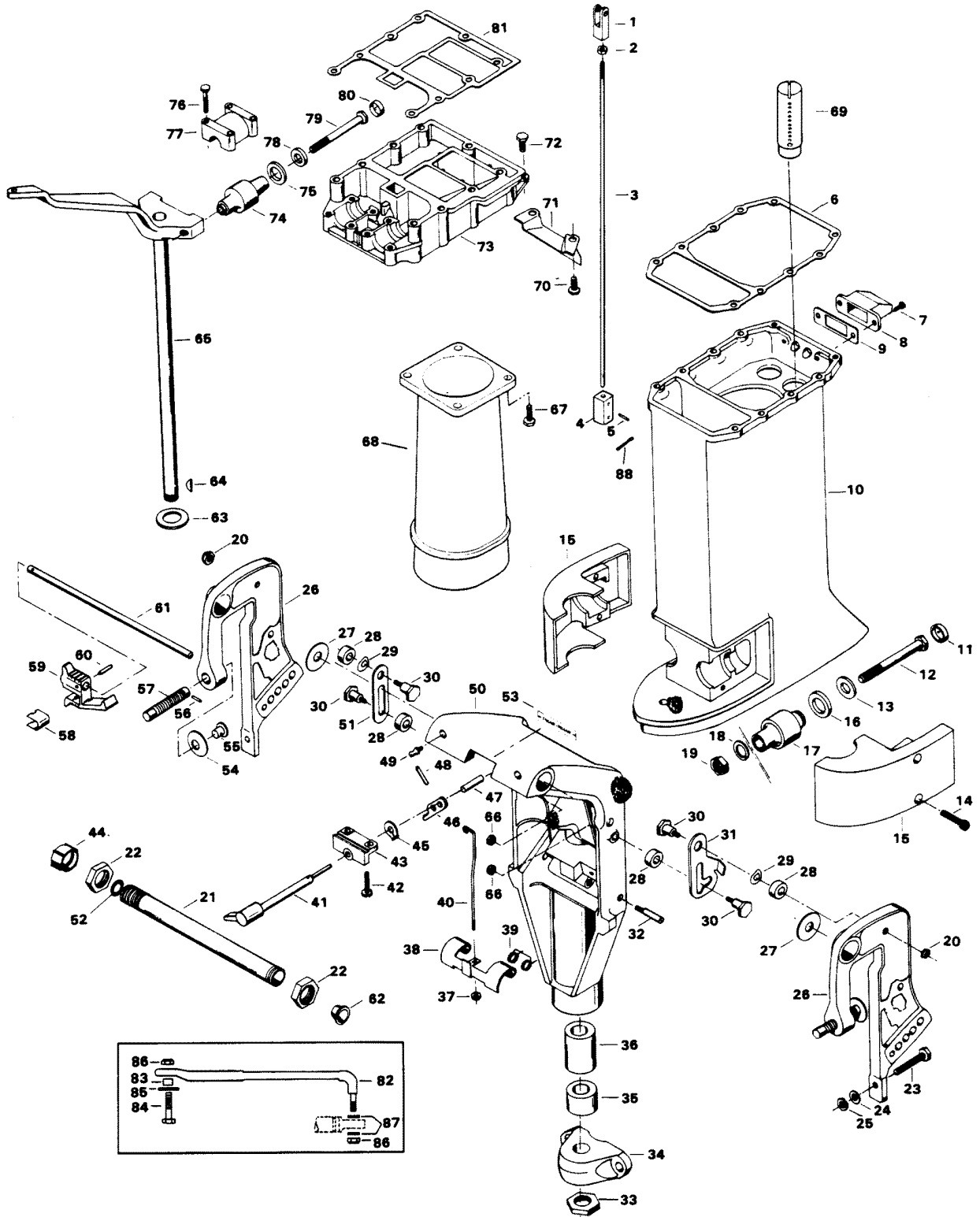


MOTOR LEG

REF. NO.	PART NO.	SYM.	QTY.	DESCRIPTION
43	F522884		1	BEARING
44	F9018		1	CAP
45	F522741		1	RETAINING RING
46	F366364		1	ARM, REVERSE LOCK
47	F483884		1	BEARING
48	F1836		1	SPRING PIN
49	F213274		3	GREASE FITTING
50	FA522072		1	SWIVEL BRACKET WILLUS. 36 AND 49
51	F366433		1	TILT STOP, STARBOARD
52	F316599		1	SEAL, PIVOT TUBE
53	F529390-1		1	DECAL, REVERSE LOCK - USA
54	F24074		2	CLAMP SCREW FOOT
55	F353480		2	STUD
56	F8538		2	SPRING PIN
57	F474073-1		2	CLAMP SCREW
58	F286461		1	SPRING, LOCK BAR HANDLE
59	F433114		1	HANDLE, LOCK BAR
60	F1744		1	SPRING PIN
61	FA433113		1	STERN BRACKET LOCK BAR WILLUS. 58, 59 AND 60
62	F9052		1	PLUG
63	F89011		1	SWIVEL BRACKET WASHER
64	F458498		1	KEY
65	FA522019		1	KING PIN ASSEMBLY
66	F7007		2	LOCK NUT, 5/16 - 18
67	F1864		4	HEX CAP SCREW, 1/4 - 20 X 3/4
68	F522660		1	LEG EXHAUST TUBE
69	F522779		2	BAFFLE, IDLE RELIEF
70	F1689		2	HEX CAP SCREW, 1/4 - 20 X 1/2
71	F474106-3		1	DEFLECTOR, WATER DISCHARGE
72	F1902		2	HEX CAP SCREW, 5/16 - 18 X 3/4
73	F522680		1	SPACER PLATE
74	F474965-1		2	SHOCK MOUNT UPPER
75	F474849		2	WASHER
76	F1581		8	HEX CAP SCREW, 1/4 - 20 X 1 1/4
77	F474946		2	SHOCK MOUNT COVER UPPER
78	F474355		2	WASHER
79	F1430		2	HEX CAP SCREW, 3/8 - 24 X 4
80	F474942		2	BUMPER
81	F522279		1	CYLINDER EXHAUST GASKET
82	F522881		1	LINK STEERING
83	F522359		1	SPACER STEERING LINK
84	F1469		1	SCREW 3/8 - 24 X 1-1/4
85	F2014		1	PLAIN WASHER, 3/8

CONTINUED ON NEXT PAGE ➡

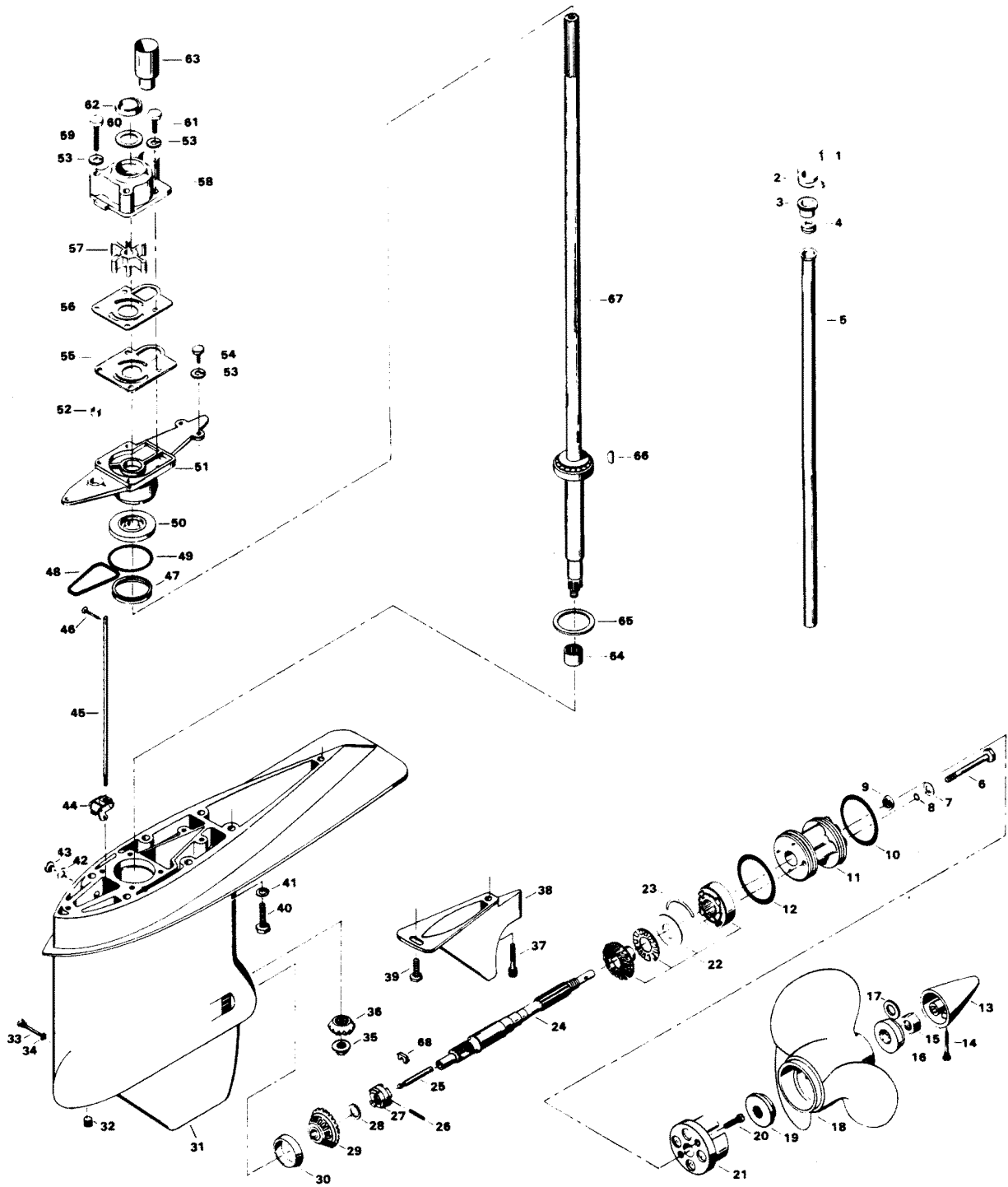
MOTOR LEG



MOTOR LEG

REF. NO.	PART NO.	SYM.	QTY.	DESCRIPTION
86	F2093		2	STOP NUT, 3/8 - 24
87	F8038		2	PLAIN WASHER
-	FOB2464		1	LITERATURE (INSTALLATION INSTRUCTIONS FOR STEERING LINK) NOT SHOWN
88	F1015		1	COTTER PIN

GEAR HOUSING

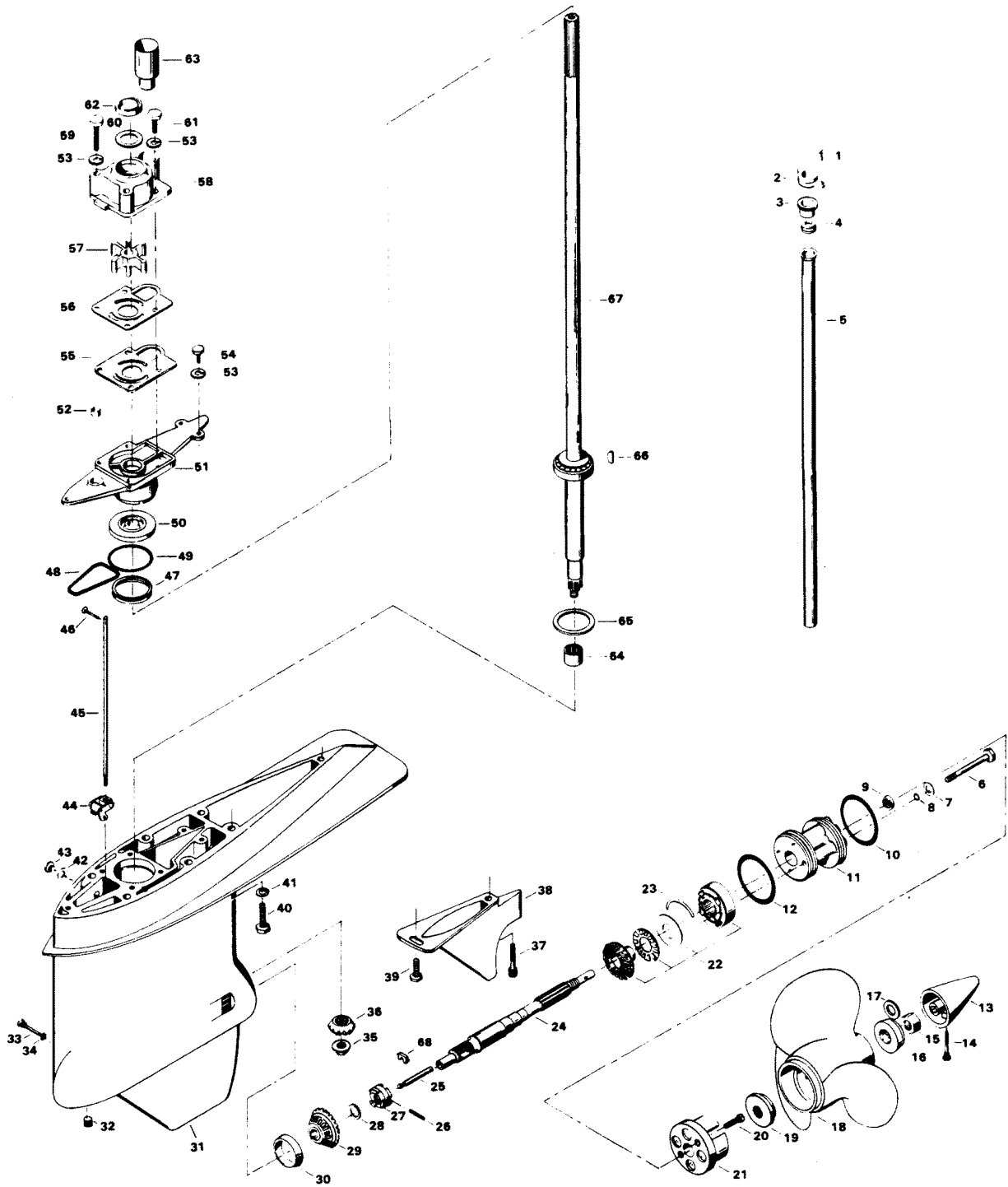


GEAR HOUSING

REF. NO.	PART NO.	SYM.	QTY.	DESCRIPTION
1	F1733		2	HEX HD SCREW, 10 - 24 X 9/16
2	F474117		1	WATER LINE BRACKET
3	F474830		1	WATER LINE BRACKET GASKET
4	F474342		1	SEAL
5	F522244		1	INLET WATER LINE
6	F1417		4	HEX CAP SCREW, 5/16 - 18 X 3-1/2
7	F1907		4	PLAIN WASHER
8	F50342-1		4	SEAL
9	F522118		1	SEAL, PROPELLER SHAFT
10	F522305		1	SEAL, O-RING
11	F2A522239		1	SPOOL, PROP SHAFT BEARING W/BEARING AND ILLUS. 9
12	F141305		1	SEAL, O-RING
13	F522094-1		1	PROPELLER NUT
14	F498891		1	PIN
15	F1788		1	STOP NUT
16	F5H118		1	WASHER
17	F1866		1	PLAIN WASHER
18	FP486		1	PROPELLER (ACCESSORY ITEM)
19	F522099		1	SPACER, PROPELLER
20	F1577		2	FILL HD SCREW, 1/4 - 20 X 3/4
21	FA522485		1	ANTI-CORROSION ANODE W/LITERATURE
22	FA522662		1	BEVEL GEAR REAR W/BEARING CAGE
23	F522411		2	RETAINING RING, BEARING CAGE
24	FA522098		1	PROPELLER SHAFT ASSEMBLY
25	F522871		1	GEAR SHIFT ARM PIN
26	F2097		1	SPRING PIN
27	F99521-1		1	CLUTCH
28	F2087		A/R	SPACER, BEVEL GEAR FRONT, SIZE .056
-	F2055		A/R	SPACER, BEVEL GEAR FRONT, SIZE .059
-	F2056		A/R	SPACER, BEVEL GEAR FRONT, SIZE .062
-	F2057		A/R	SPACER, BEVEL GEAR FRONT, SIZE .065
-	F2058		A/R	SPACER, BEVEL GEAR FRONT, SIZE .068
-	F2059		A/R	SPACER, BEVEL GEAR FRONT, SIZE .071
-	F2060		A/R	SPACER, BEVEL GEAR FRONT, SIZE .074
-	F2061		A/R	SPACER, BEVEL GEAR FRONT, SIZE .077
-	F2062		A/R	SPACER, BEVEL GEAR FRONT, SIZE .080
-	F2063		A/R	SPACER, BEVEL GEAR FRONT, SIZE .083
-	F2064		A/R	SPACER, BEVEL GEAR FRONT, SIZE .086
-	F2123		A/R	SPACER, BEVEL GEAR FRONT, SIZE .053
-	F2124		A/R	SPACER, BEVEL GEAR FRONT, SIZE .050
29	F2A522023		1	BEVEL GEAR FRONT W/BEARING AND SHIMS
30	F506250		1	BEARING CUP
31	FA522054		1	GEAR HOUSING WILLUS. 30, 32, 42, 43 AND 64

CONTINUED ON NEXT PAGE ➡

GEAR HOUSING

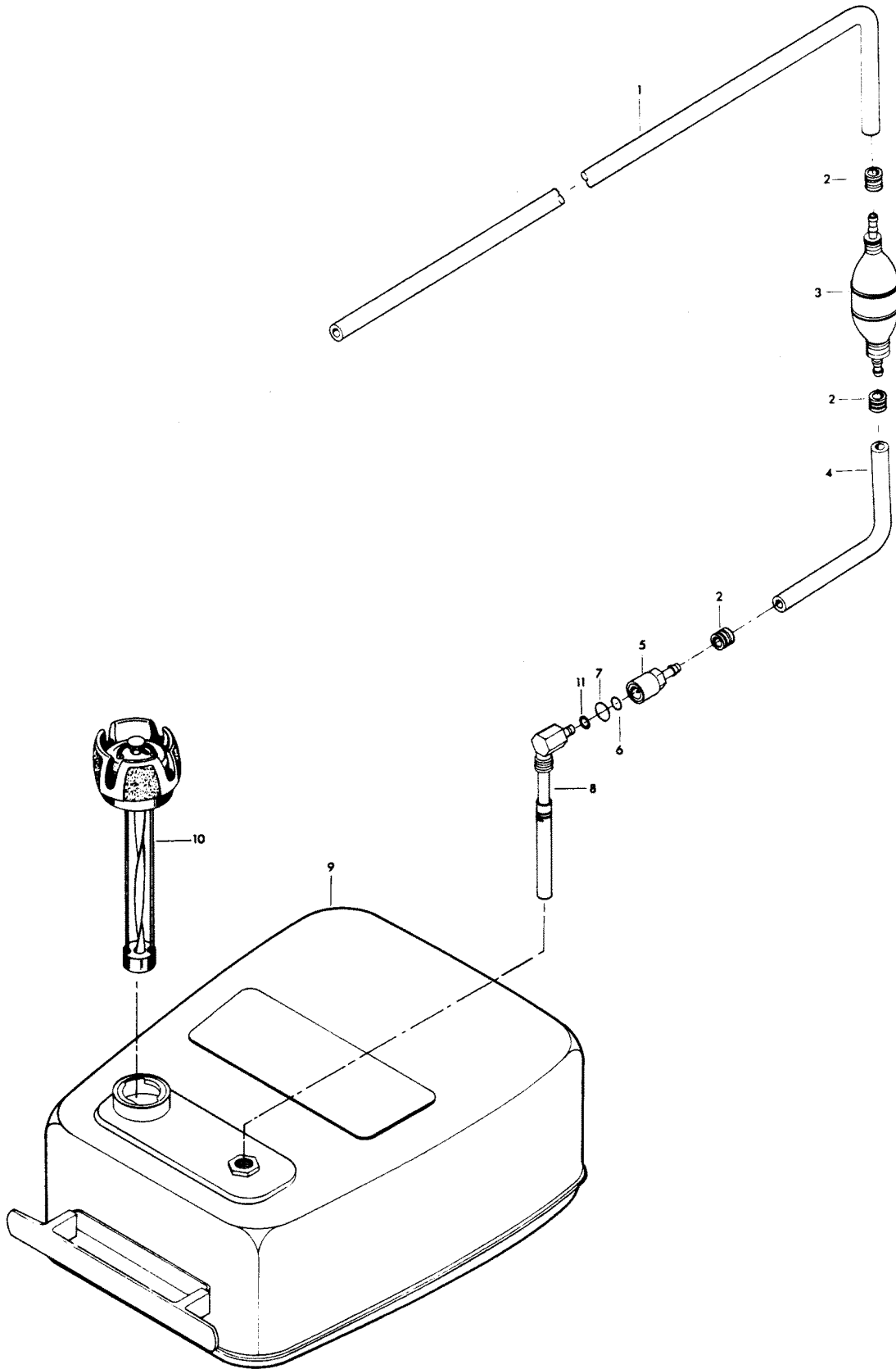


GEAR HOUSING

REF. NO.	PART NO.	SYM.	QTY.	DESCRIPTION
-	FC522054		1	GEAR HOUSING COMPLETE INCLUDES ALL ITEMS MARKED WITH AN ASTERISK (*)
32	F19109		1	PLUG
33	F498891		1	GEAR SHIFT ARM PIN
34	F498618		1	NYLTITE WASHER
35	F522188-1		1	NUT, BEVEL PINION RETAINING
36	FA522266		1	BEVEL PINION GEAR W/ILLUS. 47 AND 65
37	F2031		1	HEX SOCKET HD CAP SCREW, 1/4 - 20 X 3/4
38	F522116-1		1	SNOUT
39	F438930		1	RETAINER, SNOUT
40	F2079		6	HEX CAP SCREW, 5/16 - 18 X 2-1/4
41	F8096		6	SPRING LOCKWASHER
42	F8077		2	WASHER, GEAR HOUSING PLUG
43	F50109		2	PLUG, GEAR HOUSING
44	817796A2		1	GEAR SHIFT ARM ASSY.
45	F522705		1	GEAR SHIFT ROD LOWER
46	F8547		1	PIN, GEAR SHIFT ROD LOWER
47	F523961		1	CRUSH RING
48	F522555		1	SEAL, GEAR HOUSING COVER
49	F74305		6	SEAL, DRIVESHAFT BEARING CAGE
50	F474307		1	SEAL, DRIVESHAFT
51	FA522706		1	GEAR HOUSING COVER W/ILLUS. 50 AND 52
52	F338618-1		1	SEAL, SHIFT ROD LOWER
53	F8083		7	SPRING, LOCKWASHER
54	F1705		3	HEX CAP SCREW, 1/4 - 20 X 3/4
55	F522031		1	GASKET, WATER PUMP
56	F522562		1	WATER PUMP BACK PLATE
57	F474065-1		1	WATER PUMP IMPELLER
58	46-817851A1		1	WATER PUMP BODY W/ILLUS. 60, 62 AND 63 ORIGINAL FORCE P/N A 522060-1
59	F1175		2	HEX CAP SCREW, 1/4 - 20 X 1-7/8
60	F474388		1	DISC, WATER PUMP
61	F1849		2	HEX CAP SCREW, 1/4 - 20 X 1-3/8
62	F474736		1	SEAL, DRIVESHAFT - WATER PUMP
63	FA523735		1	SEAL, INLET WATER LINE LOWER W/LITERATURE
64	F522057		1	BEARING, DRIVESHAFT LOWER
65	F9106		A/R	SHIM, DRIVESHAFT BEARING - UPPER, SIZE .003
-	F9095		A/R	SHIM, DRIVESHAFT BEARING - UPPER, SIZE .005
-	F9096		A/R	SHIM, DRIVESHAFT BEARING - UPPER, SIZE .007
-	F9097		A/R	SHIM, DRIVESHAFT BEARING - UPPER, SIZE .010
66	F9038		1	WOODRUFF KEY
67	FS577128		1	DRIVESHAFT W/ILLUS. 47, 65 AND LITERATURE. ORIGINAL FORCE P/N K 522128-1
68	F90619-1		1	YOKE, GEARSHIFT ARM

CONTINUED ON NEXT PAGE ➡

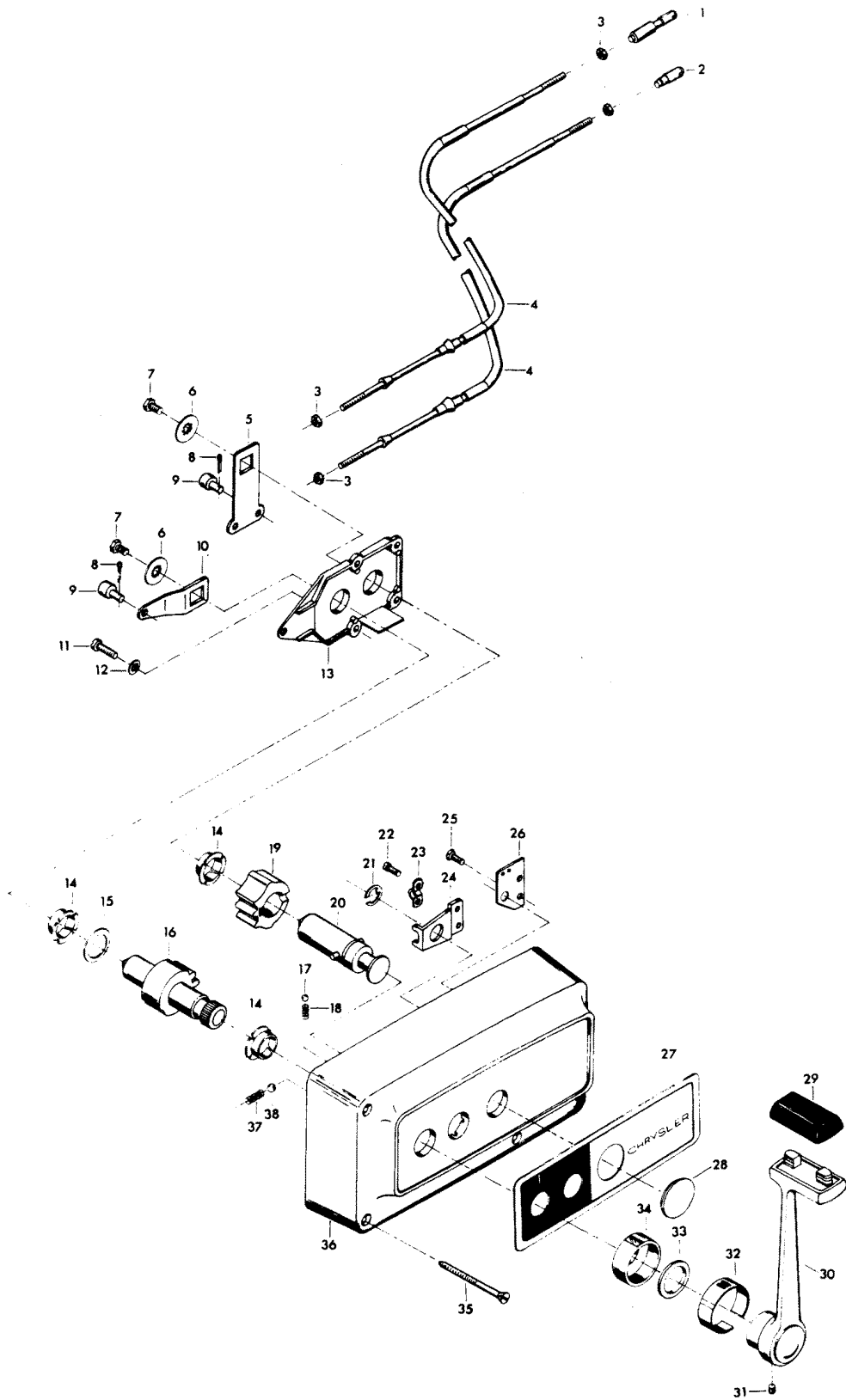
FUEL TANK AND LINE



FUEL TANK AND LINE

REF. NO.	PART NO.	SYM.	QTY.	DESCRIPTION
1	32-817738A1		1	FUEL LINE, LONG W/CLAMP AND FERRULE
2	F298788		3	FERRULE
3	89396A38		1	PRIME BULB
4	FA84754-1		1	FUEL LINE SHORT W/ILLUS. 2
5	F197787-3		1	FUEL LINE COUPLER
6	F213735		1	SEAL, FUEL LINE COUPLER - SMALL
7	F213342		1	SEAL, FUEL LINE COUPLER - LARGE
8	F485755-1		1	FUEL TANK ADAPTER
9	F5H026		1	FUEL TANK (ACCESSORY ITEM)
10	F409251-1		1	GAUGE CAP
11	F17932		1	SEAL, FUEL TANK ADAPTER
-	FS409752		1	FUEL LINE - COMPLETE. INCLUDES ITEMS MARKED WITH AN ASTERISK (*).
-	FC409398		1	DECAL, TOTE TANK - CANADA (NOT SHOWN)

REMOTE CONTROL

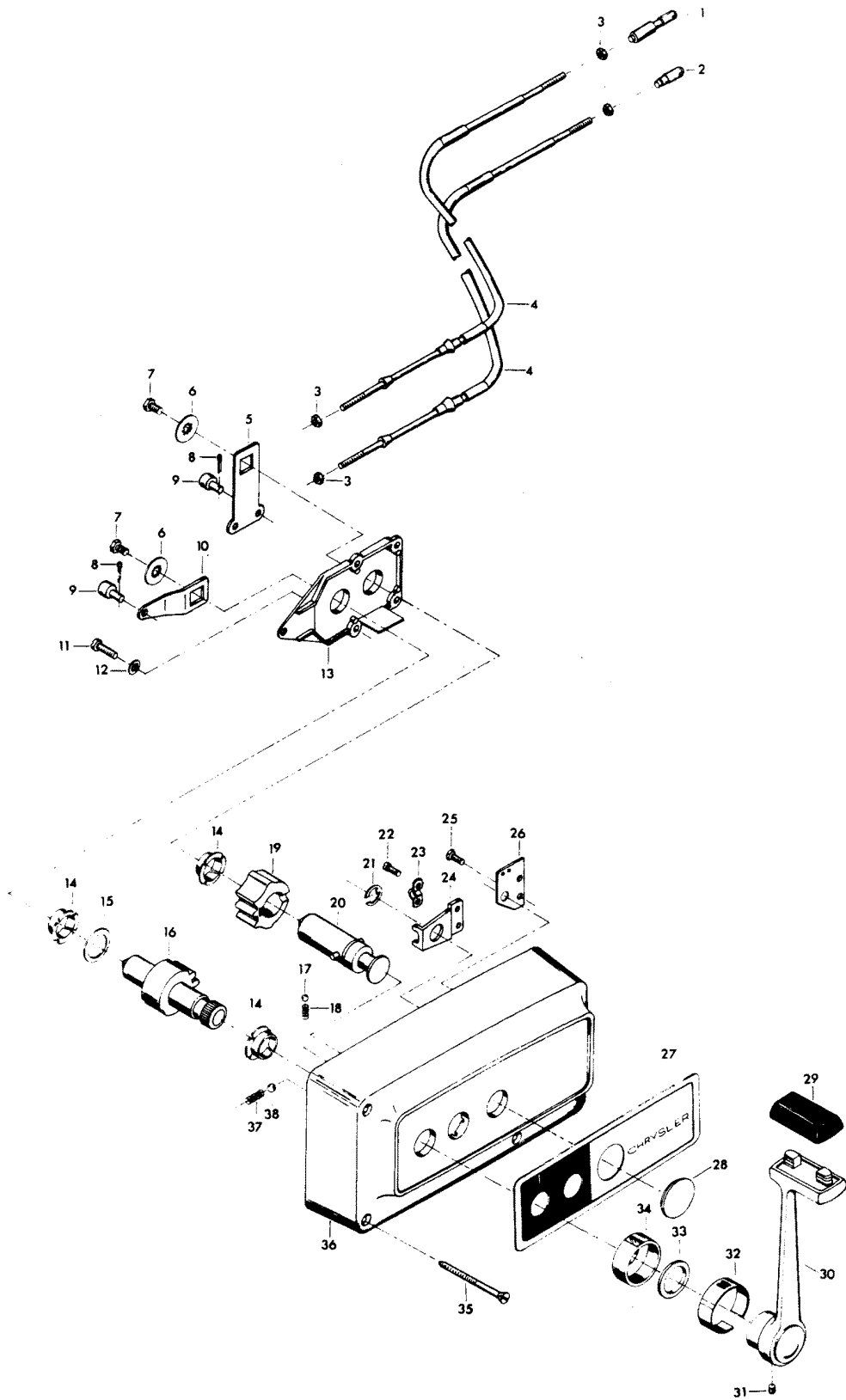


REMOTE CONTROL

REF. NO.	PART NO.	SYM.	QTY.	DESCRIPTION
1	FA58976-1		1	CONNECTOR, THROTTLE CABLE
2	F58685-2		1	CONNECTOR, SHIFT CABLE
3	F1513		4	HEX NUT
4	F195/___		1	REMOTE CONTROL CABLE (SPECIFY LENGTH) ACCESSORY ITEM (2 PER SET)
5	F17019		1	CLUTCH ARM
6	F17036		2	INTERNAL TOOTH LOCKWASHER
7	F1715		2	HEX BOLT, 1/4 - 28 X 9/16
8	F17149		2	COTTER PIN
9	F17016		2	CABLE TERMINAL
10	F17014		1	THROTTLE ARM
11	F17013		2	FILL HD SCREW, 1/4 - 20 X 1/2
12	F17147		2	INTERNAL TOOTH LOCKWASHER
13	F17012		1	RETAINING PLATE
14	F17009		3	BEARING
15	F17011		1	BOWED WASHER
16	F17010-1		1	THROTTLE GEAR
17	F17111		1	DETENT BALL
18	F17006		1	DETENT SPRING
19	F17021		1	CLUTCH GEAR
20	F17100		1	CLUTCH SHAFT
21	F17092		1	SNAP RING
22	F17071		2	FILL HD SCREW, 10 - 24 X 5/16
23	F154317		1	CABLE CLAMP
24	F17026		1	SWIVEL
25	F1557		2	FLAT HD SCREW, 10 - 24 X 3/8
26	F17112		1	JUNCTION BOARD - STARBOARD
-	F17113		1	JUNCTION BOARD - PORT
27	F17148		1	DECAL - STARBOARD
-	F531892		1	DECAL - PORT
28	F17031-1		1	SNAP CAP
29	F17116		1	KNOB
30	F17115-1		1	HANDLE
31	F17030-1		1	SET SCREW
32	FK17114-1		1	INDICATOR
33	F17105		1	FELT WASHER
34	F17106		1	COLLAR
35	F17146		3	WOOD SCREW
36	F17099		1	HOUSING

CONTINUED ON NEXT PAGE ➡

REMOTE CONTROL



REMOTE CONTROL

REF. NO.	PART NO.	SYM.	QTY.	DESCRIPTION
37	F17068		1	DETENT SPRING
38	F17082-1		1	DETENT BALL
-	F1280		2	PAN HD SCREW, 8 - 32 X 1/4 (TERMINAL BOARD) (NOT SHOWN)
-	F17103		1	BAG ASSEMBLY. (NOT SHOWN) INCLUDES ALL ITEMS MARKED WITH AN ASTERISK (*)
-	OB3062		1	LITERATURE (NOT SHOWN) 5H130

SPECIAL TOOLS - TUNE-UP

REF. NO.	PART NO.	SYM.	QTY.	DESCRIPTION
-	FTA2937-1		0	TIMING TOOL TO LOCATE TIMING DECAL.
-	FT2951		0	CIRCUIT TRACER TO TROUBLESHOOT ELECTRICAL SYSTEM.
-	FT8978		0	POWER TIMING LIGHT TO TIME ENGINE.

SPECIAL TOOLS - POWER HEAD

REF. NO.	PART NO.	SYM.	QTY.	DESCRIPTION
-	FT2998		0	TORQUE WRENCH (0 - 100 LBS./FT.) TO INSURE FLYWHEEL NUT IS PROPERLY TORQUED.
-	FT2999		0	TORQUE WRENCH (0 - 600 LBS./IN.) TO INSURE FLYWHEEL NUT IS PROPERLY TORQUED.
-	FT8900		0	HOSE CLAMP PLIERS TO REMOVE CLAMPS FROM FUEL HOSE.
-	FTA8994		0	PISTON PIN TOOL TO INSTALL PISTON PINS - USE W/T 2990.
-	T8984		0	SEAL INSTALLER TO INSTALL UPPER AND LOWER CRANKSHAFT SEALS - USE WITH T 8907.
-	FT2990		0	PISTON PIN TOOL TO REMOVE AND INSTALL PISTON PINS.
-	FT2996		0	RING COMPRESSOR TO INSTALL PISTONS IN CYLINDER.
-	FT8926		0	RING EXPANDER TO INSTALL RINGS ON PISTON.
-	FT8933		0	LIFTING HOOK TO PROVIDE SAFE METHOD OF LIFTING ENGINE.

SPECIAL TOOLS - LOWER UNIT

REF. NO.	PART NO.	SYM.	QTY.	DESCRIPTION
-	FT11206		0	DRIVESHAFT BEARING INSTALLER/REMOVER TO SERVICE DRIVESHAFT BEARING.
-	FT11208		0	TORQUE ADAPTER TO HOLD D/S SPLINE WHILE INSTALLING PINION NUT.
-	FT8930-1		0	FEELER GAUGE TO SHIM LOWER UNIT.
-	FT8948-1		0	PULLER TO REMOVE PROPELLER SHAFT BEARING CAGE FROM LOWER GEAR HOUSING.
-	FT8918		0	BUSHING GUIDE SET TO REMOVE.
-	FT8957		0	SEAL INSTALLER TO INSTALL SHIFT ROD SEAL.
-	FT3012		0	SEAL INSTALLER TO INSTALL DRIVESHAFT SEAL IN WATER PUMP.
-	FT8901		0	INDICATOR HOLDER TO USE WITH CHECKING GAUGE.
-	FT8902		0	DIAL INDICATOR TO USE WITH CHECKING GAUGE.
-	FT3431		0	SEAL INSTALLER TO INSTALL REAR PROP SHAFT SEAL AND DRIVESHAFT SEAL.
-	FT2995		0	CUP REMOVER TO REMOVE FORWARD BEARING CUP.
-	FT8997		0	SHIM TOOL TO SHIM GEAR HOUSING.
-	FT11203		0	CUP INSTALLER TO INSTALL FORWARD BEARING CUP.
-	FT8985		0	SEAL INSTALLER TO INSTALL DRIVESHAFT SEAL.
-	FT8907		0	DRIVE HANDLE TO INSTALL FORWARD BEARING CUP.
-	FT8919		0	SPRING PIN PUNCH TO REMOVE SPRING PIN FROM CLUTCH.

SPECIAL TOOLS - TEST EQUIPMENT

REF. NO.	PART NO.	SYM.	QTY.	DESCRIPTION
-	FT2938-1		0	BATTERY POWERED TEST LIGHT FOR CHECKING CONTINUITY IN CIRCUITS.
-	FT11238		0	TEST WHEEL TO TEST MOTOR IN TEST TANK.
-	FT8950		0	LEAKAGE TESTER TO TEST LOWER UNIT FOR LEAKS.
-	FT8953		0	IGNITION TESTER TO TEST IGNITION SYSTEM.
-	FT11237		0	HARNES ADAPTER TO USE W/T 8953 AND T 8996 IGNITION TESTERS.
-	FT8996		0	IGNITION TESTER TO TEST IGNITION SYSTEM.

SPECIAL TOOLS - LUBRICANTS AND SEALANTS

REF. NO.	PART NO.	SYM.	QTY.	DESCRIPTION
-	FT2961		0	LUBRICANT - RYKON GREASE #2EP
-	FT2987-1		0	LUBRICANT - ANTI-SEIZE
-	FT8969		0	LUBRICANT - 7 OZ. LPSI LUBRICANT
-	FT8955		0	SEALANT - 5 OZ. EC-750 INDUSTRIAL SEALANT
-	FT8983		0	SEALANT - 3 OZ. RTV SEALANT FROM IN PLACE GASKETS
-	FT8936-1		0	SEALANT - 2 CC LOCTITE RETAINING COMPOUND #75
-	FT2962-1		0	SEALANT - 50 CC LOCTITE H, NON-HARDENING GRADE
-	FT2963-2		0	SEALANT - 2 OZ. LOCTITE D, HARDENING GRADE
-	FT8935		0	SEALANT PRIMER - 6 OZ.

ACCESSORIES

REF. NO.	PART NO.	SYM.	QTY.	DESCRIPTION
-	F5H014		0	FLUSHING ADAPTER PERMITS FRESH WATER FLUSHING OF WATER PASSAGES WITH STANDARD GARDEN HOSE.
-	F5H130		0	REMOTE CONTROL - SURFACE MOUNT PERMITS REMOTE CONTROL OF THROTTLE AND GEAR SHIFT FROM STARBOARD SIDE OF BOAT.
-	F5H120		0	REMOTE CONTROL BACK PLATE TO PREVENT INTERFERENCE WITH PADDED SIDE OF BOAT.
-	F5H131		0	PORT SIDE DECAL KIT CONVERTS 5H130 CONTROL BOX TO PORT SIDE MOUNTING.
-	F590		0	REMOTE CONTROL - FLUSH MOUNT FLUSH MOUNT CONTROL UNIT PERMITS REMOTE CONTROL OF THROTTLE AND GEAR SHIFT. MAY BE MOUNTED ON PORT OR STARBOARD SIDE OF BOAT.
-	865		0	REMOTE CONTROL - SURFACE MOUNT PERMITS REMOTE CONTROL OF THROTTLE AND GEAR SHIFT ON TWIN ENGINE INSTALLATION. MAY BE MOUNTED ON PORT OR STARBOARD SIDE OF BOAT.
-	F5H079		0	SINGLE REMOTE CONTROL BOX PERMITS REMOTE CONTROL OF THROTTLE AND GEAR SHIFT. CONSOLE MOUNTED.
-	F5H080		0	TWIN REMOTE CONTROL BOX PERMITS REMOTE CONTROL OF THROTTLE AND GEAR SHIFT - TWO ENGINES. CONSOLE MOUNTED.
-	F195/___		0	REMOTE CONTROL CABLES CONNECTS REMOTE CONTROL BOX TO THROTTLE AND GEAR SHIFT ON ENGINE. AVAILABLE IN 6 THROUGH 40 FOOT LENGTHS.
-	F5H132		0	REMOTE CONTROL HANDLE TRIM SWITCH HAS POWER TRIM CONTROL SWITCH IN HANDLE. REPLACES STANDARD CONTROL LEVER ON 5H130 CONTROL BOX.
-	F5H108		0	STEERING CONNECTOR CLEVIS TYPE FOR BOAT MOUNTED STEERING AND NONTHREADED CABLE END.
-	F5H001		0	STEERING LINK KIT CONNECTS STEERING CABLE TO ENGINE WHEN USING ENGINE MOUNTED STEERING SYSTEM.
-	5H139		0	SWITCH KIT - LIVEWELL FOR OPERATING LIVEWELL PUMP.
-	F5H109		0	DUAL STEERING CONNECTOR PERMITS DUAL ENGINE INSTALLATIONS.
-	F5H026		0	STEEL, 6 GALLON FUEL TANK (TOTE TANK) AUXILIARY TANK.
-	F5H029		0	TANK ANCHOR SECURES 5H026 TO BOAT.
-	F5H040		0	STEEL, 12 GALLON FUEL TANK AUXILIARY TANK.
-	F5H019		0	ANTI-CORROSION KIT ELECTRICAL KIT FOR MOUNTING ON BOAT (12V) TO REDUCE CORROSION.
-	F5H025		0	ANTI-CORROSION SACRIFICIAL ANODE KIT USED TO REDUCE CORROSION.
-	F5H160		0	POWER TRIM INDICATOR INDICATES ENGINE TRIM ANGLE. (FLUSH MOUNT).
-	F5H134		0	BOAT WHITE LACQUER ENGINE TOUCH-UP PAINT IN 12 3/4 OZ. SPRAY BOMBS (6 CANS PER CASE).
-	F5H081		0	BATTERY CABLE LONGER LENGTH - 15 FEET. DISCONNECT PLUG AT ENGINE.

CONTINUED ON NEXT PAGE ➡

ACCESSORIES

REF. NO.	PART NO.	SYM.	QTY.	DESCRIPTION
-	5H046		0	CANVAS HOOD PROTECTION FOR ENGINE COVER.
-	F5H021		0	EXTENSION CABLE FOR LENGTHENING BATTERY CABLE 6 1/2 FEET.
-	F5H041		0	BATTERY TERMINAL KIT FOR POSITIVE AND NEGATIVE BATTERY POST.
-	71H25		0	CHARGE INDICATOR LAMP GLOWS GREEN WHEN ALTERNATOR IS RECHARGING BATTERY. DO NOT USE INDICATOR LAMP AND AMMETER IN SAME INSTALLATION.
-	F5H037		0	CIGAR LIGHTER FOR USE AS CONVENIENCE OUTLET.
-	5H158		0	FUEL GAUGE MONITORS FUEL SUPPLY.
-	F5H144		0	HYDRAULIC TILT HYDRAULIC UNIT TO RAISE AND LOWER THE LOWER UNIT WHEN BEACHING OR TRAILERING BOAT.
-	479		0	HEAT LAMP KIT GLOWS RED IF ENGINE OVERHEATS. DO NOT USE HEAT LAMP AND TEMPERATURE GAUGE IN SAME INSTALLATION.
-	F5H159		0	HOURLY RECORDS ENGINE RUNNING TIME.
-	F5H118		0	PROPELLER SPACER REDUCES VENTILATION/CAVITATION.
-	F5H077		0	IGNITION KEY SWITCH SHORT BARREL WITH KEYS.
-	F5H078		0	IGNITION KEY SWITCH LONG BARREL WITH KEYS.
-	F762		0	REMOTE ELECTRIC CABLE 25 FOOT CABLE FOR LARGE BOATS.
-	F5H070		0	REMOTE ELECTRIC CABLE 21 FOOT CABLE FOR LARGE BOATS.
-	5H082		0	REMOTE ELECTRIC CABLE 35 FOOT CABLE FOR LARGE BOATS.
-	F5H028		0	SENDING UNIT FOR USE WITH 5H008 FUEL GAUGE.
-	F5H156		0	TEMPERATURE GAUGE MONITORS ENGINE TEMPERATURE. DO NOT USE TEMPERATURE GAUGE AND HEAT LAMP IN SAME INSTALLATION.
-	F5H084		0	TRAILERING TILT LOCK SECURES ENGINE IN TILTED POSITION FOR TRAILERING.
-	F5H167		0	TACHOMETER MONITORS ENGINE R.P.M. TO PROVIDE CHECK OF ENGINE PERFORMANCE.
-	F5H148		0	POWER TRIM ADJUSTS ENGINE TRIM AND TILTS ENGINE.
-	F5H154		0	SPEEDOMETER MONITORS BOAT SPEED (10 - 50 M.P.H.).
-	F5H155		0	SPEEDOMETER MONITORS BOAT SPEED (10 - 65 KM/H.)
-	F5H115		0	TRAILERING TILT LOCK SECURES ENGINE IN HALF TILT POSITION FOR TRAILERING.
-	F5H076		0	SWITCH EXTENSION CABLE ALLOWS INSTALLATION OF IGNITION SWITCH IN 5H130 CONTROL BOX WITH 563 TERMINAL BLOCK.
-	F5H030		0	SWITCH KIT - RUNNING LIGHTS DASH MOUNTED TOGGLE SWITCH.
-	F5H031		0	SWITCH KIT - SPOT LIGHT DASH MOUNTED TOGGLE SWITCH.
-	F5H032		0	SWITCH KIT - WIPER DASH MOUNTED TOGGLE SWITCH.
-	F5H034		0	SWITCH KIT - BILGE PUMP DASH MOUNTED TOGGLE SWITCH.

CONTINUED ON NEXT PAGE ➡

ACCESSORIES

REF. NO.	PART NO.	SYM.	QTY.	DESCRIPTION
-	F5H035		0	SWITCH KIT - HORN DASH MOUNTED TOGGLE SWITCH (MOMENTARY).
-	F5H036		0	SWITCH KIT - TACHOMETER TRANSFER DASH MOUNTED TOGGLE SWITCH FOR ONE TACHOMETER ON DUAL ENGINE INSTALLATION.
-	F5H038		0	SWITCH KIT - IGNITION SWITCH TO MOUNT IGNITION SWITCH ON DASH.
-	F5H039		0	SWITCH KIT - INSTRUMENT LIGHT DASH MOUNTED TOGGLE SWITCH.
-	F563		0	TERMINAL BLOCK KIT DOUBLE ROW 10 SECTION TO SIMPLIFY ACCESSORY INSTALLATION.
-	F5H075		0	WIRING HARNESS - IGNITION SWITCH (24") USE WITH 563 TERMINAL BLOCK.
-	F596		0	CHRYSLER OUTBOARD OIL SEE BLOCK COMMENT 1.
-	F597		0	CHRYSLER OUTBOARD GEAR LUBE SEE BLOCK COMMENT 2.
-	F5H059		0	CHRYSLER OUTBOARD MULTI-PURPOSE GREASE LUBRICATES BEARINGS AND OTHER MOVING PARTS. AVAILABLE IN 8 OZ. TUBES AND 12 TUBES CASES.
-	F5H060		0	CHRYSLER OUTBOARD GREASE GUN

PARTS INDEX

Part Number	Description	Pg.	Ref. No.	Part Number	Description	Pg.	Ref. No.
2C607712	ENGINE COVER COMPLETE.	3	-	F15120	HEAD ASSEMBLY, DRIVE		
479	HEAT LAMP KIT	50	-		END	19	2
5H046	CANVAS HOOD	50	-	F15123	THRU BOLT PACKAGE	19	10
5H082	REMOTE ELECTRIC CABLE	50	-	F15125	HEAD ASSEMBLY,		
5H139	SWITCH KIT - LIVEWELL	49	-		COMMUTATOR END	19	13
5H158	FUEL GAUGE	50	-	F15126	THRUST WASHER		
71H25	CHARGE INDICATOR LAMP	50	-		PACKAGE	19	3
817747--1	BALL JOINT W/BEARING	23	28	F1513	HEX NUT	41	3
817796A2	GEAR SHIFT ARM ASSY.	37	44	F1513	HEX NUT, 10 - 32	7	22
817892--1	IGNITION SWITCH PLATE -			F1513	HEX NUT, 10 - 32	23	29
	CANADA (NOT SHOWN)	7	-	F1515	HEX NUT, 5/16 - 18	15	4
865	REMOTE CONTROL -			F1515	HEX NUT, S.S., 5/16 - 18	7	20
	SURFACE MOUNT	49	-	F15155	BRUSH AND TERMINAL SET	19	7
89396A38	PRIME BULB	39	3	F1532	HEX CAP SCREW, 1/4 - 20 X		
C523227	SPARK PLUG (QL-76V)	25	-		1	25	79
F10053	REPAIR PARTS KIT.	13	51	F154317	CABLE CLAMP	23	19
F1014	COTTER PIN	11	2	F154317	CABLE CLAMP	41	23
F1015	COTTER PIN	33	88	F1550	SLOTTED PAN HD. SCREW		
F1017	COTTER PIN	23	3		#12 - 24 X 1	9	46
F1034	FILL HD SCREW, 1/4 - 20 X 1			F1557	FLAT HD SCREW, 10 - 24 X		
	3/8	11	15		3/8	41	25
F1038	SLOTTED PAN HD. SCREW			F1577	FILL HD SCREW, 1/4 - 20 X		
	1/4 - 20 X 3/4	9	44		3/4	35	20
F1052	FILL HD M. SCREW, 1/4 - 20			F1581	HEX CAP SCREW, 1/4 - 20 X		
	X 1	23	39		1 1/4	25	80
F1059	FILL HD SCREW, 6 - 32 X 1/4	11	6	F1581	HEX CAP SCREW, 1/4 - 20 X		
F1064	SLOTTED HD SCREW, 8 - 32				1 1/4	31	76
	X 3/8	11	22	F1593	HEX HD SCREW, S.S., 3/8 -		
F1108	FILL HD SCREW, 1/4 - 20 X				16 X 3	29	23
	3/4	17	10	F1600	LOCK NUT	29	22
F1136	SCREW, 1/4 - 20 X 1	21	22	F1645	RD HD SCREW, 6 - 32 X 1/4	7	5
F1175	HEX CAP SCREW, 1/4 - 20 X			F1647	HEX NUT, 8 - 32	7	8
	1-7/8	37	59	F1666	BOWED SPRING WASHER	29	29
F1236	HEX CAP SCREW, 1/4 - 20 X			F1669	LOCK NUT	29	37
	1/2	15	6	F1689	HEX CAP SCREW, 1/4 - 20 X		
F1257	HEX SOCKET HD CAP				1/2	3	20
	SCREW, S.S., 5/16 - 18 X 1			F1689	HEX CAP SCREW, 1/4 - 20 X		
	1/4	29	14		1/2	3	32
F1280	PAN HD SCREW, 8 - 32 X 1/4			F1689	HEX CAP SCREW, 1/4 - 20 X		
	(TERMINAL BOARD) (NOT				1/2	31	70
	SHOWN)	43	-	F1693	TIE BAR RETAINER	11	21
F1280	SLOTTED PAN HD SCREW,			F17006	DETENT SPRING	41	18
	8 - 32 X 1/4	7	14	F17009	BEARING	41	14
F1341	HEX NUT, 1/4 - 20	23	32	F17010-1	THROTTLE GEAR	41	16
F1341	HEX NUT, 1/4 - 20	29	2	F17011	BOWED WASHER	41	15
F1346	HEX NUT, 3/8 - 16	29	25	F17012	RETAINING PLATE	41	13
F141305	SEAL, O-RING	35	12	F17013	FILL HD SCREW, 1/4 - 20 X		
F1417	HEX CAP SCREW, 5/16 - 18				1/2	41	11
	X 3-1/2	35	6	F17014	THROTTLE ARM	41	10
F1430	HEX CAP SCREW, 3/8 - 24 X			F17016	CABLE TERMINAL	41	9
	4	31	79	F17019	CLUTCH ARM	41	5
F1469	SCREW 3/8 - 24 X 1-1/4	31	84	F17021	CLUTCH GEAR	41	19
F1473	HEX NUT, 10 - 24	25	51	F17026	SWIVEL	41	24
F1475	SLOTTED FILL HD SCREW,			F17030-1	SET SCREW	41	31
	10 - 24 X 1/2	23	2	F17031-1	SNAP CAP	41	28
F15034	SPRING SET	19	14	F17036	INTERNAL TOOTH		
F15057	BRUSH PLATE AND				LOCKWASHER	41	6
	HOLDER	19	15	F1704	INTERNAL TOOTH		
F15099	ARMATURE	19	4		LOCKWASHER	7	4
F15100	BENDIX DRIVE	19	1				

PARTS INDEX

Part Number	Description	Pg.	Ref. No.	Part Number	Description	Pg.	Ref. No.
F1705	HEX CAP SCREW, 1/4 - 20 X 3/4	29	7	F1846	HEX CAP SCREW, 1/4 - 20 X 3/4	21	9
F1705	HEX CAP SCREW, 1/4 - 20 X 3/4	37	54	F1849	HEX CAP SCREW, 1/4 - 20 X 1-3/8	37	61
F17068	DETENT SPRING	43	37	F1854	HEX CAP SCREW, 1/4 - 20 X 5/8	3	6
F17071	FILL HD SCREW, 10 - 24 X 5/16	41	22	F1854	HEX SLOTTED HD M. SCREW, 1/4 - 20 X 5/8	3	36
F1708	HEX HD M. SCREW, 1/4 - 20 X 1 3/8	15	9	F1857	HEX CAP SCREW, 5/16 - 18 X 5/8	7	26
F17082-1	DETENT BALL	43	38	F1860	SLOTTED HD M. SCREW, 6 - 32 X 1/4	17	5
F17092	SNAP RING	41	21	F1864	HEX CAP SCREW, 1/4 - 20 X 3/4	31	67
F17099	HOUSING	41	36	F1864	HEX HD SCREW, 1/4 - 20 X 3/4	23	14
F17100	CLUTCH SHAFT	41	20	F1866	PLAIN WASHER	35	17
F17103	BAG ASSEMBLY. (NOT SHOWN)	43	-	F1872	HEX CAP SCREW, 3/8 - 16 X 1 3/4	23	15
F17105	FELT WASHER	41	33	F1873	HEX CAP SCREW, 3/8 - 16 X 3	23	13
F17106	COLLAR	41	34	F1877	TY-RAP (NOT SHOWN)	9	50
F17111	DETENT BALL	41	17	F1889	FILL HD SCREW, 1/4 - 20 X 1 1/4	17	9
F17112	JUNCTION BOARD - STARBOARD	41	26	F1902	HEX CAP SCREW, 5/16 - 18 X 3/4	25	69
F17113	JUNCTION BOARD - PORT	41	-	F1902	HEX CAP SCREW, 5/16 - 18 X 3/4	31	72
F17115-1	HANDLE	41	30	F1904	PLAIN WASHER	29	24
F17116	KNOB	41	29	F1907	PLAIN WASHER	35	7
F17146	WOOD SCREW	41	35	F1910	ELASTIC STOP NUT, 1/4 - 20	25	40
F17147	INTERNAL TOOTH LOCKWASHER	41	12	F19109	PLUG	37	32
F17148	DECAL - STARBOARD	41	27	F19109	PLUG, CYLINDER HEAD	25	72
F17149	COTTER PIN	41	8	F191169-1	SWIVEL BRACKET BEARING	29	36
F1715	HEX BOLT, 1/4 - 28 X 9/16	41	7	F1913	HEX CAP SCREW, 10 - 24 X 5/8	25	74
F1727	PLASTIC RIVET	25	45	F1916	HEX HD M. SCREW, 1/4 - 20 X 1 1/8	15	3
F1733	HEX HD SCREW, 10 - 24 X 9/16	35	1	F1922	HEX CAP SCREW, 1/4 - 20 X 5/8	23	22
F1733	PAN HD SCREW, 10 - 24 X 9/16	3	26	F1934	FLAT HD SCREW, 6 X 1/2	7	18
F1733	PAN HD SCREW, 10 - 24 X 9/16	29	42	F195/_	REMOTE CONTROL CABLE (SPECIFY LENGTH)	41	4
F1733	SLOTTED PAN HD SCREW, 10 - 24 X 9/16	7	31	F195/_	REMOTE CONTROL CABLES	49	-
F1734	SLOTTED FILL HD SCREW & LOCKWASHER, 1/4 - 20 X 1/2	27	84	F1968	HEX NUT, 3/4 - 16	9	42
F1741	PAN HD SCREW, 8 X 3/4	9	36	F1974	PAN HD SCREW, 10 - 24 X 3/4	7	13
F1744	SPRING PIN	31	60	F1975	LOCKWASHER	7	12
F1753	FASTENER	5	43	F197787-3	FUEL LINE COUPLER	39	5
F1755	ROUND HD SCREW W/LOCKWASHER, 6 - 32 X 5/16	15	19	F1979	PAN HD SCREW, 10 - 24 X 1/2	3	10
F177330	FUEL PUMP VALVE	17	6	F1987	PLAINWASHER	25	60
F1788	STOP NUT	35	15	F1995	FILL HD SCREW, 10 - 24 X 1	25	47
F17932	SEAL, FUEL TANK ADAPTER	39	11	F1997	LOCK NUT, 8 - 32	13	47
F1822	HEX CAP SCREW, 5/16 - 18 X 7/8	19	6	F2008	HEX HD M. SCREW, 1/4 X 20 X 7/8	15	10
F1829	SLOTTED FILL HD SCREW, 10 - 24 X 7/8	23	18	F2014	PLAIN WASHER, 3/8	31	85
F1832	NUT, LOCK 1/4 - 20	9	49	F2016	SLOTTED FILL HD SCREW, 6 - 32 X 7/8	7	1
F1836	SPRING PIN	31	48				
F183818	BEARING, GEAR SHIFT COUPLER	23	7				
F184033-1	SWIVEL, CHOKE ROD	11	5				
F184579	SEAL, CHOKE ARM SWIVEL	11	4				

PARTS INDEX

Part Number	Description	Pg.	Ref. No.	Part Number	Description	Pg.	Ref. No.
F2025	PAN HD SCREW, #10 X 5/8 .	3	3	F269052	SHIFT ARM BEARING	23	36
F2031	HEX SOCKET HD CAP SCREW, 1/4 - 20 X 3/4 . . .	37	37	F269122-1	CRANKCASE PARTING LINE SEAL	23	12
F2033	GROOVE PIN	11	8	F269319	THROTTLE CAM BEARING .	25	41
F2045	RETAINING RING	21	17	F269929	SPACER, TILT STOP	29	28
F2049	HEX CAP SCREW, 5/16 - 18 X 2 5/8	25	59	F28004	STUD	9	48
F2051	HEX CAP SCREW, 1/4 - 20 X 2 1/4	25	62	F284659-2	CRANKSHAFT LOWER MAIN BEARING	21	16
F2055	SPACER, BEVEL GEAR FRONT, SIZE .059	35	-	F286461	SPRING, LOCK BAR HANDLE	31	58
F2056	SPACER, BEVEL GEAR FRONT, SIZE .062	35	-	F289446-1	CLAMP	27	83
F2057	SPACER, BEVEL GEAR FRONT, SIZE .065	35	-	F298788	FERRULE	39	2
F2058	SPACER, BEVEL GEAR FRONT, SIZE .068	35	-	F2A335158	REED PLATE	15	15
F2059	SPACER, BEVEL GEAR FRONT, SIZE .071	35	-	F2A522023	BEVEL GEAR FRONT W/BEARING AND SHIMS .	35	29
F2060	SPACER, BEVEL GEAR FRONT, SIZE .074	35	-	F2A522239	SPOOL, PROP SHAFT BEARING	35	11
F2061	SPACER, BEVEL GEAR FRONT, SIZE .077	35	-	F307317	CLIP, TERMINAL BLOCK GROUND	7	11
F2062	SPACER, BEVEL GEAR FRONT, SIZE .080	35	-	F307908	STARTER WIRE	19	8
F2063	SPACER, BEVEL GEAR FRONT, SIZE .083	35	-	F316579	SEAL, CRANKCASE	21	20
F2064	SPACER, BEVEL GEAR FRONT, SIZE .086	35	-	F316599	SEAL, PIVOT TUBE	31	52
F2065	HEX NUT, 7/16 - 14	29	19	F333316	THROTTLE ROLLER SHAFT	13	45
F2066	PAN HD SCREW, #10 - 7/16	3	4	F335160	REED (4 PETAL)	15	16
F2067	PLASTISOL CAP (NOT SHOWN)	21	-	F335164	REED (1 PETAL)	15	17
F2069	HEX CAP SCREW, 7/16 - 14 X 4	29	12	F338618-1	SEAL, SHIFT ROD LOWER .	37	52
F2071	HEX CAP SCREW, 5/16 - 18 X 1 3/8	23	26	F353480	STUD	31	55
F2072	OVAL COUNTERSUNK HD M. SCREW 10 - 24 X 3/8 .	3	17	F366300	REVERSE LOCK SPRING . .	29	39
F2075	SLOTTED HD SCREW, S.S., 1/4 - 20 X 2 1/2	3	22	F366349	REVERSE LOCK	29	38
F2076	HEX CAP SCREW, 5/16 - 18 X 1 1/8	25	68	F366350	TILT STOP PIVOT	29	30
F2079	HEX CAP SCREW, 5/16 - 18 X 2-1/4	37	40	F366364	ARM, REVERSE LOCK	31	46
F2087	SPACER, BEVEL GEAR FRONT, SIZE .056	35	28	F366426	TILT STOP - PORT	29	31
F2093	STOP NUT, 3/8 - 24	33	86	F366433	TILT STOP, STARBOARD . .	31	51
F2097	SPRING PIN	35	26	F366886	PIN	29	32
F2123	SPACER, BEVEL GEAR FRONT, SIZE .053	35	-	F369450	RECTIFIER	7	9
F2124	SPACER, BEVEL GEAR FRONT, SIZE .050	35	-	F381896-4	BATTERY CABLE	7	27
F213274	GREASE FITTING	31	49	F390689	BEARING, LATCH SHAFT . .	3	24
F213342	SEAL, FUEL LINE COUPLER - LARGE	39	7	F391926-1	PLUNGER, CHOKE SOLENOID	11	9
F213735	SEAL, FUEL LINE COUPLER - SMALL	39	6	F40209	CARBURETOR STUD	15	5
F24074	CLAMP SCREW FOOT	31	54	F404449	THERMOSWITCH	7	6
F269052	BEARING, LATCH CAM	3	28	F406754-1	DRAIN HOSE	15	1
				F40906-1	CARBURETOR GASKET . . .	13	50
				F40906-1	CARBURETOR GASKET . . .	27	-
				F409251-1	GAUGE CAP	39	10
				F433114	HANDLE, LOCK BAR	31	59
				F433209-1	STUD, THROTTLE CAM	25	43
				F433689	TOWERSHAFT BEARING . . .	25	48
				F435634	CONNECTING ROD SCREW	21	18
				F438066	COVER, BY-PASS VALVE . .	25	75
				F438165	SCREW, FUEL BOWL	17	14
				F438500	FUEL SEDIMENT BOWL . . .	17	13
				F438617	FUEL SEDIMENT BOWL GASKET	17	11
				F438653	FUEL PUMP SCREEN	17	12
				F438747	FUEL PUMP DIAPHRAGM . .	17	4
				F438754	FUEL LINE, PUMP TO CARBURETOR	17	17
				F438760	FUEL PUMP GASKET	17	3
				F438801	FITTING	17	15

PARTS INDEX

Part Number	Description	Pg.	Ref. No.	Part Number	Description	Pg.	Ref. No.
F438930	RETAINER, SNOOT	37	39	F474510	LINK	29	40
F458347	MOUNT	23	24	F474529-1	CYLINDER HEAD GASKET	27	-
F458498	KEY	31	64	F474529-2	CYLINDER HEAD GASKET	25	73
F458887	FASTENER, SUPPORT PLATE MOUNT	23	23	F474539	BUMPER	29	11
F460917	STARTER RELAY	7	23	F474551	BRACKET, INTERLOCK SWITCH	25	44
F463864	RETAINER, TILT HANDLE	3	5	F474607	KING PIN YOKE	29	34
F474013	CRANKSHAFT UPPER MAIN BEARING	21	19	F474620	PIN, GEAR SHIFT	23	8
F474065-1	WATER PUMP IMPELLER	37	57	F474621	LEVER, GEAR SHIFT	23	9
F474066	THERMOSTAT COVER	25	63	F474640	PIVOT, GEAR SHIFT	23	5
F474067	THERMOSTAT COVER GASKET	25	64	F474704	COUPLER	23	31
F474067	THERMOSTAT COVER GASKET	27	-	F474704	COUPLER, SHIFT ROD	29	1
F474073-1	CLAMP SCREW	31	57	F474736	SEAL, DRIVESHAFT - WATER PUMP	37	62
F474106-3	DEFLECTOR, WATER DISCHARGE	31	71	F474746	FUEL PUMP COVER	17	2
F474117	WATER LINE BRACKET	35	2	F474756	PACKING, SUPPORT PLATE FRONT	5	39
F474146	SEAL, CRANKSHAFT	21	6	F474817	RETAINER, SUPPORT PLATE	3	19
F474151	EXHAUST PORT PLATE	25	78	F474830	WATER LINE BRACKET GASKET	35	3
F474152	EXHAUST PORT COVER	25	81	F474832-1	IDLE RELIEF COVER	29	8
F474154	EXHAUST PORT COVER GASKET	27	-	F474833	GASKET, IDLE RELIEF COVER	29	9
F474154	EXHAUST PORT PLATE GASKET	25	77	F474838-1	TOWERSHAFT	25	46
F474162	REED PLATE ADAPTER	15	13	F474847	WASHER	29	16
F474163	COVER, SUPPORT PLATE FRONT	3	35	F474849	WASHER	31	75
F474167	CARBURETOR ADAPTER	15	11	F474859	STUD, SHIFT ARM	23	37
F474168	CARBURETOR ADAPTER GASKET	15	12	F474864	RETAINER, COVER LATCH	3	9
F474168	CARBURETOR ADAPTER GASKET	27	-	F474867	EXHAUST TUBE GASKET	27	-
F474192	THROTTLE CAM	25	42	F474871	SHAFT, GEAR SHIFT	23	10
F474193	THROTTLE LINK	23	30	F474881	LINK, GEAR SHIFT	23	33
F474210	STUD, CYLINDER	25	55	F474897	GUIDE, COVER LATCH STARBOARD	3	33
F474211	STUD, CYLINDER	25	54	F474909	LOCATING PIN	27	85
F474253	FUEL LINE	11	13	F474932	SPACER, CONTROL CABLE	23	20
F474278	SEAL	21	10	F474942	BUMPER	31	80
F474279	CYLINDER EXHAUST GASKET	27	-	F474946	SHOCK MOUNT COVER UPPER	31	77
F474307	SEAL, DRIVESHAFT	37	50	F474965-1	SHOCK MOUNT UPPER	31	74
F474315	PACKING, SUPPORT PLATE LOWER	3	27	F474980-1	STABILIZER, FRONT	23	25
F474342	SEAL	35	4	F474982	STABILIZER, REAR	25	70
F474346-2	SHOCK MOUNT LOWER	29	17	F474984	BLANKET, SILENCER, TOP (NOT SHOWN)	5	45
F474355	WASHER	31	78	F474985	BLANKET, SILENCER, SIDE (NOT SHOWN)	5	44
F474359	WASHER	29	13	F474990	SPACER	29	35
F474371	REMOTE CABLE BRACKET	23	21	F474991	GROMMET	3	16
F474377	LEVER, COVER LATCH PORT	3	30	F474992	BLANKET, SILENCER, FRONT (NOT SHOWN)	5	46
F474378	LEVER, COVER LATCH STARBOARD (NOT SHOWN)	3	-	F474996-1	CYLINDER HEAD COVER GASKET	25	67
F474388	DISC, WATER PUMP	37	60	F474996-1	CYLINDER HEAD COVER GASKET	27	-
F474445	SPARK CONTROL LINK	25	52	F475029	TRIGGER ASSY.	9	39
F474487	GUIDE, COVER LATCH PORT (NOT SHOWN)	3	-	F475061-1	CARBURETOR COMPLETE (WB27B) (NOT SHOWN)	13	-
F474509	CHOKE LINK	11	10	F475095	ALTERNATOR STATOR	9	40
				F475097	FLYWHEEL	9	41
				F475301-1	MODULE	9	38

PARTS INDEX

Part Number	Description	Pg.	Ref. No.	Part Number	Description	Pg.	Ref. No.
F475504	BUSHING	9	47	F522779	BAFFLE, IDLE RELIEF	31	69
F475744	WIRING HARNESS	7	19	F522826	SILENCER, CARB AIR	11	17
F475955	STARTER COMPLETE.	19	-	F522867	EXHAUST TUBE GASKET	27	-
F481836	GASKET	11	18	F522871	GEAR SHIFT ARM PIN	35	25
F483884	BEARING	31	47	F522876	SHIFT ARM	23	38
F485755-1	FUEL TANK ADAPTER	39	8	F522881	LINK STEERING	31	82
F498618	NYLTITE WASHER	37	34	F522884	BEARING	31	43
F498891	GEAR SHIFT ARM PIN	37	33	F522995	CYLINDER HEAD COVER	25	57
F498891	PIN	35	14	F523961	CRUSH RING	37	47
F50109	PLUG, GEAR HOUSING	37	43	F529390-1	DECAL, REVERSE LOCK - USA	31	53
F50342-1	SEAL	17	1	F531892	DECAL - PORT	41	-
F50342-1	SEAL	35	8	F53504	GROMMET	11	16
F506250	BEARING CUP	35	30	F545189	BUSHING, CABLE ENTRY	5	38
F510374	DECAL, CIRCUIT BREAKER - USA	7	29	F547156	COVER, SUPPORT PLATE REAR	3	15
F510460	CIRCUIT BREAKER	7	30	F549189	BUSHING, ELECTRIC CABLE ENTRY	3	25
F522015	PISTON (STANDARD)	21	4	F563	TERMINAL BLOCK KIT	51	-
F522017	PISTON PIN	21	2	F58685-2	CONNECTOR, SHIFT CABLE	41	2
F522031	GASKET, WATER PUMP	37	55	F590	REMOTE CONTROL - FLUSH MOUNT	49	-
F522032	STERN BRACKET - STARBOARD	29	26	F596	CHRYSLER OUTBOARD OIL	51	-
F522033	SWIVEL, CHOKE ROD FOR TOP CARB (NOT SHOWN)	11	-	F597	CHRYSLER OUTBOARD GEAR LUBE	51	-
F522057	BEARING, DRIVESHAFT LOWER	37	64	F5H001	STEERING LINK KIT	49	-
F522094-1	PROPELLER NUT	35	13	F5H014	FLUSHING ADAPTER	49	-
F522099	SPACER, PROPELLER	35	19	F5H019	ANTI-CORROSION KIT	49	-
F522116-1	SNOOT	37	38	F5H021	EXTENSION CABLE	50	-
F522118	SEAL, PROPELLER SHAFT	35	9	F5H025	ANTI-CORROSION SACRIFICIAL ANODE	49	-
F522125-1	TUBE, STEERING SUPPORT	29	21	F5H026	FUEL TANK (ACCESSORY ITEM)	39	9
F522133	MOTOR LEG	29	10	F5H026	STEEL, 6 GALLON FUEL TANK (TOTE TANK)	49	-
F522188-1	NUT, BEVEL PINION RETAINING	37	35	F5H028	SENDING UNIT	50	-
F522215	SPACER (2 PER PISTON)	21	1	F5H029	TANK ANCHOR	49	-
F522217	BEARING	21	3	F5H030	SWITCH KIT - RUNNING LIGHTS	50	-
F522244	INLET WATER LINE	35	5	F5H031	SWITCH KIT - SPOT LIGHT	50	-
F522279	CYLINDER EXHAUST GASKET	27	-	F5H032	SWITCH KIT - WIPER	50	-
F522279	CYLINDER EXHAUST GASKET	31	81	F5H034	SWITCH KIT - BILGE PUMP	50	-
F522286	STERN BRACKET FRICTION WASHER	29	27	F5H035	SWITCH KIT - HORN	51	-
F522305	SEAL, O-RING	35	10	F5H036	SWITCH KIT - TACHOMETER TRANSFER	51	-
F522359	SPACER STEERING LINK	31	83	F5H037	CIGAR LIGHTER	50	-
F522411	RETAINING RING, BEARING CAGE	35	23	F5H038	IGNITION SWITCH MOUNTING KIT (ACCESSORY ITEM)	7	17
F522453	LEG EXHAUST GASKET	29	6	F5H038	SWITCH KIT - IGNITION SWITCH	51	-
F522532	STERN BRACKET - PORT	29	-	F5H039	SWITCH KIT - INSTRUMENT LIGHT	51	-
F522555	SEAL, GEAR HOUSING COVER	37	48	F5H040	STEEL, 12 GALLON FUEL TANK	49	-
F522562	WATER PUMP BACK PLATE	37	56	F5H041	BATTERY TERMINAL KIT	50	-
F522615	ROD, GEAR SHIFT - UPPER	29	3	F5H043	BUZZER, HEAT INDICATOR, (ACCESSORY ITEM)	7	34
F522660	LEG EXHAUST TUBE	31	68	F5H059	CHRYSLER OUTBOARD MULTI-PURPOSE GREASE	51	-
F522680	SPACER PLATE	31	73				
F522704	COUPLING, GEAR SHIFT ROD	29	4				
F522705	GEAR SHIFT ROD LOWER	37	45				
F522707	SHOCK MOUNT COVER, LOWER	29	15				
F522741	RETAINING RING	31	45				

PARTS INDEX

Part Number	Description	Pg.	Ref. No.	Part Number	Description	Pg.	Ref. No.
F5H060	CHRYSLER OUTBOARD			F8067	SPRING LOCKWASHER . . .	29	18
	GREASE GUN	51	-	F8077	WASHER, GEAR HOUSING		
F5H070	REMOTE ELECTRIC CABLE	50	-		PLUG	37	42
F5H075	WIRING HARNESS -			F8083	LOCKWASHER	3	7
	IGNITION SWITCH (24") . .	51	-	F8083	SPRING, LOCKWASHER . . .	37	53
F5H076	SWITCH EXTENSION CABLE	50	-	F8088	PLAIN WASHER	7	2
F5H077	IGNITION KEY SWITCH	50	-	F8088	PLAIN WASHER	11	3
F5H078	IGNITION KEY SWITCH	50	-	F8094	PLAIN WASHER	3	8
F5H078	SWITCH, IGNITION			F8094	PLAIN WASHER	23	4
	(ACCESSORY ITEM)	7	15	F8096	SPRING LOCKWASHER . . .	7	21
F5H079	SINGLE REMOTE CONTROL			F8096	SPRING LOCKWASHER . . .	19	16
	BOX	49	-	F8096	SPRING LOCKWASHER . . .	37	41
F5H080	TWIN REMOTE CONTROL			F84026	SPARK CONTROL SWIVEL .	25	49
	BOX	49	-	F84035-2	SPARK CONTROL BEARING,		
F5H081	BATTERY CABLE	49	-		R.H.	25	50
F5H084	TRAILERING TILT LOCK . . .	50	-	F84036	SPARK CONTROL BEARING,		
F5H108	STEERING CONNECTOR . . .	49	-		L.H.	25	53
F5H109	DUAL STEERING			F84068-2	THERMOSTAT	25	65
	CONNECTOR	49	-	F84278	SEAL	21	7
F5H115	TRAILERING TILT LOCK . . .	50	-	F84280	KING PIN NUT	29	33
F5H118	PROPELLER SPACER	50	-	F84314-2	ELBOW, FUEL LINE	11	11
F5H118	WASHER	35	16	F84449	NEUTRAL INTERLOCK		
F5H120	REMOTE CONTROL BACK				SWITCH	7	3
	PLATE	49	-	F84504	THERMOSTAT GROMMET .	25	66
F5H130	REMOTE CONTROL -			F84792	FUEL PUMP VALVE GASKET		
	SURFACE MOUNT	49	-		(CENTER VALVE)	17	7
F5H131	PORT SIDE DECAL KIT	49	-	F85161-1	REED STOP	15	18
F5H132	REMOTE CONTROL HANDLE			F85168	REED PLATE ADAPTER		
	TRIM SWITCH	49	-		GASKET	15	14
F5H134	BOAT WHITE LACQUER	49	-	F85168	REED PLATE ADAPTER		
F5H144	HYDRAULIC TILT	50	-		GASKET	27	-
F5H148	POWER TRIM	50	-	F85314-1	ELBOW, FUEL LINE FOR		
F5H154	SPEEDOMETER	50	-		BOTTOM CARB.	11	14
F5H155	SPEEDOMETER	50	-	F85317-1	SOLENOID CLAMP	15	7
F5H156	TEMPERATURE GAUGE	50	-	F85372	SPRING PIN	29	5
F5H159	HOURLY METER	50	-	F8538	SPRING PIN	31	56
F5H160	POWER TRIM INDICATOR . .	49	-	F85410	SNAP RING	21	11
F5H167	TACHOMETER	50	-	F8547	PIN, GEAR SHIFT ROD		
F605711	FRONT PLATE	5	41		LOWER	37	46
F615475	IGNITION COIL	9	37	F8547	SPRING PIN	23	6
F7006	LOCK NUT, 5/16 - 18	25	56	F85498	FLYWHEEL KEY	21	23
F7007	LOCK NUT, 5/16 - 18	31	66	F85571	CENTER MAIN BEARING		
F7007	STOP NUT, 5/16 - 18	29	20		CAGE W/ROLLERS	21	13
F7011	STOP NUT	3	12	F8563	DOWEL PIN	23	17
F7025	LOCKNUT, 3/8 - 16	3	31	F85689-1	BEARING	23	1
F7025	STOP NUT, S.S., 3/8 - 16 . .	23	35	F85735-1	SEAL	5	42
F71H26	BATTERY TERMINAL KIT			F85762	BY-PASS VALVE COVER		
	(ACCESSORY ITEM)	7	33		GASKET	27	-
F74305	SEAL, DRIVESHAFT			F85762	GASKET, BY-PASS VALVE		
	BEARING CAGE	37	49		COVER	25	76
F762	REMOTE ELECTRIC CABLE	50	-	F85843-1	ELECTRIC CONTROL		
F8011	PLAIN WASHER	7	32		CABLE, 18 FEET	7	25
F8011	PLAIN WASHER	7	35	F85924	CHOKE SOLENOID	7	28
F8028	PLAIN WASHER	19	12	F85925	CHOKE SOLENOID ROD . .	11	7
F8030	PLAIN WASHER	9	45	F89011	SWIVEL BRACKET WASHER	31	63
F8038	PLAIN WASHER	33	87	F9018	CAP	31	44
F8056	SPRING LOCKWASHER	7	7	F9038	WOODRUFF KEY	37	66
F8058	INTERNAL TOOTH			F9052	PLUG	31	62
	LOCKWASHER	23	27	F90619-1	YOKE, GEARSHIFT ARM . .	37	68
F8060	LOCKWASHER	19	11	F90807	RETAINING RING	11	19

PARTS INDEX

Part Number	Description	Pg.	Ref. No.	Part Number	Description	Pg.	Ref. No.
F9095	SHIM, DRIVESHAFT BEARING - UPPER, SIZE .005	37	-	FA523735	SEAL, INLET WATER LINE LOWER	37	63
F9096	SHIM, DRIVESHAFT BEARING - UPPER, SIZE .007	37	-	FA547018	CRANKSHAFT	21	24
F9097	SHIM, DRIVESHAFT BEARING - UPPER, SIZE .010	37	-	FA547518	CYLINDER HEAD	25	71
F9106	SHIM, DRIVESHAFT BEARING - UPPER, SIZE .003	37	65	FA58976-1	CONNECTOR, THROTTLE CABLE	41	1
F91446-1	CIRCUIT BREAKER BRACKET	9	43	FA605892	DECAL, FRONT	5	40
F92759	THROTTLE ROLLER	13	46	FA607386	DECAL, NUMERAL	3	14
F97772	FUEL LINE CLAMPS	17	16	FA607396	DECAL, STARBOARD	3	-
F97772	HOSE CLAMP	11	12	FA607397	DECAL, PORT	3	13
F98273	ROD END CONNECTOR STUD	23	34	FA84754-1	FUEL LINE SHORT	39	4
F99521-1	CLUTCH	35	27	FA85193	TIE BAR END W/SWIVEL	11	23
FA15072	HEX LOCK NUT AND WASHER ASSEMBLY, 1/4 -20	19	9	FA85655-1	CRANKSHAFT CENTER MAIN BEARING RACE	21	12
FA27232	EMERGENCY STARTER ROPE (NOT SHOWN)	7	-	FB368700	KEY IGNITION - STAMPED B	7	-
FA368700	KEY IGNITION - NO LETTER OR STAMPED A	7	16	FC368700	KEY IGNITION - STAMPED C	7	-
FA433113	STERN BRACKET LOCK BAR	31	61	FC409398	DECAL, TOTE TANK - CANADA (NOT SHOWN)	39	-
FA438431	FUEL PUMP BODY	17	8	FC474398	DECAL, WIRING	25	82
FA474038	SUPPORT PLATE PORT W/LOWER PACKING	3	21	FC510374	DECAL, CIRCUIT BREAKER - CANADA	7	-
FA474088	SUPPORT PLATE STARBOARD W/LOWER PACKING	5	37	FC522054	GEAR HOUSING COMPLETE	37	-
FA474228	BEARING CAGE W/ROLLERS (SPLIT HALF)	21	15	FC522390	DECAL, STARTER - CANADA (NOT SHOWN)	19	-
FA474269	TILT HANDLE	3	2	FD368700	KEY IGNITION - STAMPED D	7	-
FA474469	HANDLE, COVER LATCH PORT ASSY.	3	23	FE368700	KEY IGNITION - STAMPED E	7	-
FA474499	HANDLE, COVER LATCH STARBOARD ASSY.	3	-	FG1013-1	GASKET SET.	27	86
FA474511	TIE BAR W/SWIVEL	11	20	FK10000	GASKET SET.	13	52
FA474774	BRACKET, COVER LATCH	3	11	FK1123	SPARKIE KIT	9	51
FA474777	CAM, PORT LATCH ASSY.	3	29	FK17114-1	INDICATOR	41	32
FA474780	CAM, STARBOARD LATCH ASSY. (NOT SHOWN)	3	-	FO10165	INLET SEAT GASKET	11	34
FA475913	GROMMET (2 PER SET)	3	34	FO10588	BODY CHANNEL CUP PLUG	13	41
FA510497	TERMINAL BLOCK	7	10	FO10790	INLET NEEDLE, SEAT AND GASKET	11	33
FA522016	CONNECTING ROD	21	14	FO11103	IDLE SCREW SPRING	11	38
FA522019	KING PIN ASSEMBLY	31	65	FO13552	FUEL BOWL	11	26
FA522054	GEAR HOUSING	35	31	FO13554	FLOAT	11	29
FA522072	SWIVEL BRACKET	31	50	FO13555	CHOKE SHUTTER	11	35
FA522098	PROPELLER SHAFT ASSEMBLY	35	24	FO13944	FLOAT LEVER PIN	11	28
FA522266	BEVEL PINION GEAR	37	36	FO13945	FUEL BOWL RETAINING SCREW	11	24
FA522485	ANTI-CORROSION ANODE	35	21	FO13946	IDLE SCREW	11	37
FA522662	BEVEL GEAR REAR W/BEARING CAGE	35	22	FO13947	CHOKE SHAFT RETURN SPRING	11	39
FA522706	GEAR HOUSING COVER	37	51	FO14108	MAIN FUEL JET. (.064) OPT. 3000 - 4500 FT.	11	-
FA522827	HANDLE AND SHAFT	29	41	FO14186	MAIN FUEL JET. (.060) OPT. 6000 FT. & UP OPTIONAL SIZE MAIN	11	-
				FO14187	MAIN FUEL JET. (.062) OPT. 4500 - 6000 FT.	11	-
				FO14188	MAIN FUEL JET (.066) STD. SEA LEVEL - 3000 FT.	11	32
				FO15217	MAIN NOZZLE	11	31
				FO15230	THROTTLE SHAFT AND LEVER	13	44
				FO15623	FUEL BOWL GASKET	11	27
				FO16008	THROTTLE SHAFT RETURN SPRING	13	43
				FO16850	CHOKE SHAFT AND LEVER	11	1

PARTS INDEX

Part Number	Description	Pg.	Ref. No.	Part Number	Description	Pg.	Ref. No.
FO16851	THROTTLE SHUTTER	13	48	FT8955	SEALANT - 5 OZ. EC-750		
FO17181	IDLE TUBE	13	40		INDUSTRIAL SEALANT . . .	48	-
FO2510	GASKET, FUEL BOWL			FT8957	SEAL INSTALLER	46	-
	RETAINING SCREW	11	25	FT8969	LUBRICANT - 7 OZ. LPSI		
FO4326	BODY CHANNEL WELCH				LUBRICANT	48	-
	PLUG	13	42	FT8978	POWER TIMING LIGHT	44	-
FO8942	SHUTTER SCREW			FT8983	SEALANT - 3 OZ. RTV		
	W/LOCKWASHER	11	36		SEALANT FROM IN PLACE		
FO8942	THROTTLE SHUTTER				GASKETS	48	-
	SCREW W/LOCKWASHER	13	49	FT8985	SEAL INSTALLER	46	-
FOB2464	LITERATURE	33	-	FT8996	IGNITION TESTER	47	-
FP486	PROPELLER (ACCESSORY			FT8997	SHIM TOOL	46	-
	ITEM)	35	18	FTA2937-1	TIMING TOOL	44	-
FS409752	FUEL LINE - COMPLETE. . .	39	-	FTA8994	PISTON PIN TOOL	45	-
FS577128	DRIVESHAFT	37	67	OB3062	LITERATURE (NOT SHOWN)		
FSA474260	PISTON RING SET (4 PER				5H130	43	-
	SET - .010 OVERSIZE) . . .	21	-	T8984	SEAL INSTALLER	45	-
FSA522015	PISTON (.010 OVERSIZE) . .	21	-	22-817740A1	FITTING, PUDDLE DRAIN		
FT11203	CUP INSTALLER	46	-		W/METERING CAP	23	16
FT11206	DRIVESHAFT BEARING			22-817740A1	PUDDLE DRAIN FITTING		
	INSTALLER/REMOVER . . .	46	-		W/METERING CUP	15	2
FT11208	TORQUE ADAPTER	46	-	31-818060A1	BEARING CAGE LOWER		
FT11237	HARNESS ADAPTER	47	-		W/SEALS (ITEMS 6, 7 &		
FT11238	TEST WHEEL	47	-		10)	21	8
FT2938-1	BATTERY POWERED TEST			32-817738A1	FUEL LINE, LONG W/CLAMP		
	LIGHT	47	-		AND FERRULE	39	1
FT2951	CIRCUIT TRACER	44	-	33-97180	SPARK PLUG (L-20V) - USA	25	61
FT2961	LUBRICANT - RYKON			39-817820A1	PISTON RING SET (4 PER		
	GREASE #2EP	48	-		SET) - (STANDARD)	21	5
FT2962-1	SEALANT - 50 CC LOCTITE			39-818122A1	PISTON RING SET (4 PER		
	H, NON-HARDENING				SET - .030 OVERSIZE) . . .	21	-
	GRADE	48	-	46-817851A1	WATER PUMP BODY	37	58
FT2963-2	SEALANT - 2 OZ. LOCTITE			100-818016A2	ENGINE COVER	3	1
	D, HARDENING GRADE . . .	48	-	700-818127A1	PISTON (.030 OVERSIZE) . .	21	-
FT2987-1	LUBRICANT - ANTI-SEIZE . .	48	-	800-817860A1	CYLINDER	23	11
FT2990	PISTON PIN TOOL	45	-	800-817911A1	SHORT BLOCK (NOT		
FT2995	CUP REMOVER	46	-		SHOWN).	23	-
FT2996	RING COMPRESSOR	45	-	1100-818067A3	CRANKSHAFT UPPER		
FT2998	TORQUE WRENCH (0 - 100				BEARING CAGE	21	21
	LBS./FT.)	45	-				
FT2999	TORQUE WRENCH (0 - 600						
	LBS./IN.)	45	-				
FT3012	SEAL INSTALLER	46	-				
FT3431	SEAL INSTALLER	46	-				
FT8900	HOSE CLAMP PLIERS	45	-				
FT8901	INDICATOR HOLDER	46	-				
FT8902	DIAL INDICATOR	46	-				
FT8907	DRIVE HANDLE	46	-				
FT8918	BUSHING GUIDE SET	46	-				
FT8919	SPRING PIN PUNCH	46	-				
FT8926	RING EXPANDER	45	-				
FT8930-1	FEELER GAUGE	46	-				
FT8933	LIFTING HOOK	45	-				
FT8935	SEALANT PRIMER - 6 OZ. . .	48	-				
FT8936-1	SEALANT - 2 CC LOCTITE						
	RETAINING COMPOUND						
	#75	48	-				
FT8948-1	PULLER	46	-				
FT8950	LEAKAGE TESTER	47	-				
FT8953	IGNITION TESTER	47	-				