



PARTS CATALOG

75 H.P.

SERIAL NUMBER

75 (1982)	756B2H
75 (1982)	756H2H
75 (1982)	758B2D
75 (1982)	758H2D

TABLE OF CONTENTS:

ACCESSORIES	59
CARBURETOR	14
CRANKSHAFT AND PISTON GROUP	26
DISTRIBUTOR	8
ELECTRIC STARTER	12
ELECTRICAL COMPONENTS	4
ENGINE COVER AND SUPPORT PLATE	2
FUEL TANK AND LINE	44
GEAR HOUSING	38
MOTOR LEG 756H2H, 756B2H MODELS	32
MOTOR LEG 758H2D, 758B2D MODELS	28
PARTS INDEX	62
POWER TRIM UNIT 758H2D, 758B2D MODELS	50
POWERHEAD	20
REMOTE CONTROL	46
SPECIAL TOOLS - GEAR HOUSING	56
SPECIAL TOOLS - LUBRICANTS AND SEALANTS	58
SPECIAL TOOLS - POWER HEAD	55
SPECIAL TOOLS - TEST EQUIPMENT	57
SPECIAL TOOLS - TUNE-UP	54

NOTE: Indented description indicate that these parts are included in preceeding assembly.

AR = As Required

NSS = Not Sold Separate

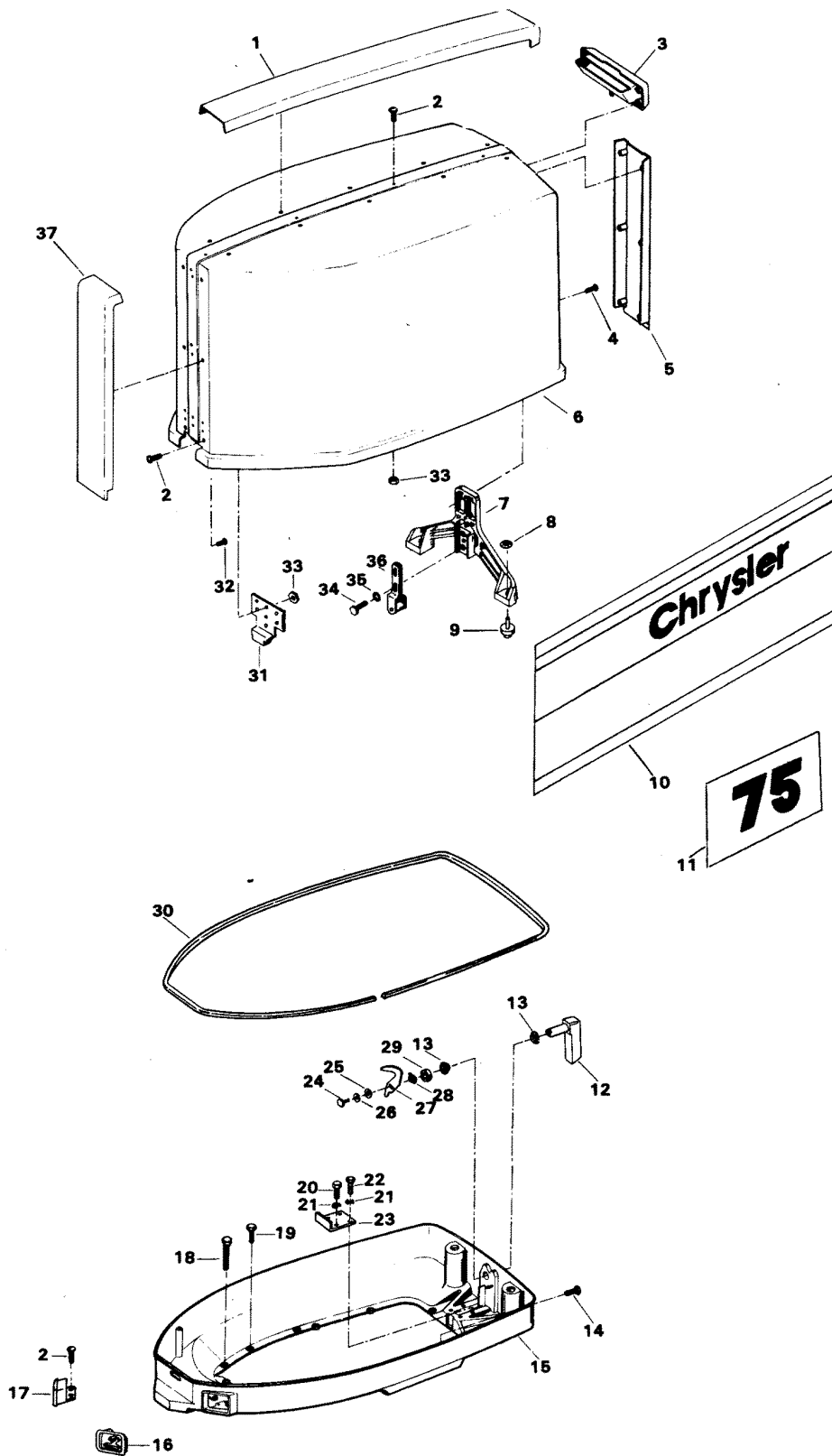
OPT = Optional

NS = Not Shown

THESE PARTS BOOKS/FICHE CARD ARE COPYRIGHTED AND MAY NOT BE DISTRIBUTED OR REPRODUCED IN ANY OTHER FORMAT BY ANYONE OTHER THAN MERCURY MARINE WITHOUT THE PRIOR WRITTEN CONSENT OF MERCURY MARINE.

THIS PAGE INTENTIONALLY LEFT BLANK

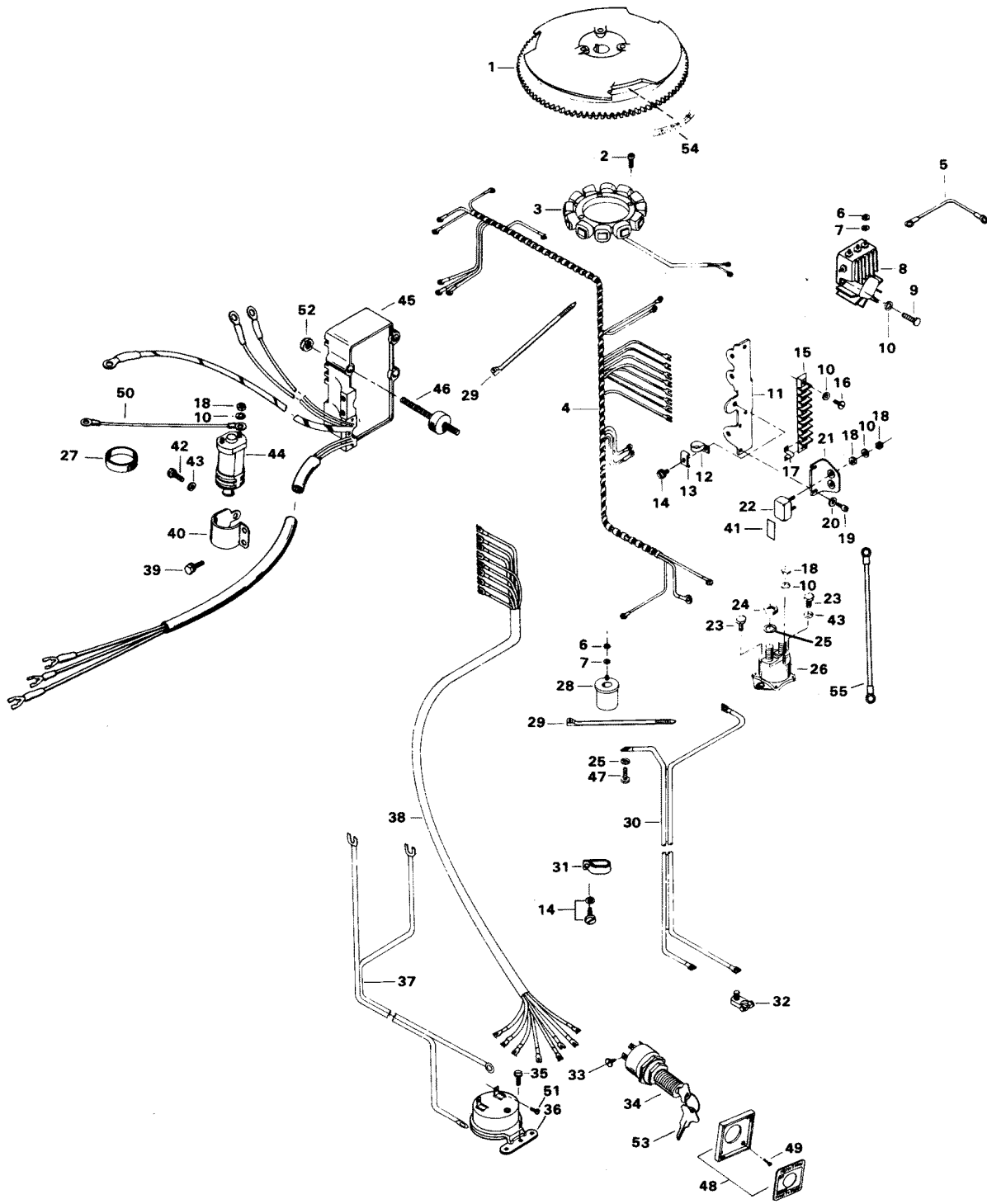
ENGINE COVER AND SUPPORT PLATE



ENGINE COVER AND SUPPORT PLATE

REF. NO.	PART NO.	SYM.	QTY.	DESCRIPTION
1	FA480179		1	TRIM, TOP W/LITERATURE
2	F1733		10	SCREW, PAN HD, 10 - 24 X 9/16
3	FA480269		1	HANDLE, TILT W/LITERATURE
4	F1730		3	SCREW, PAN HD W/SPRING LOCKWASHER, 1/4 - 20 X 5/8
5	FA548180		1	TRIM, REAR W/LITERATURE
6	FA549944		1	COVER, ENGINE W/ILLUS. 2, 31 AND 33
-	F3C611944		1	COVER, ENGINE - COMPLETE INCLUDES ITEMS MARKED WITH AN ASTERISK (*). NUMERAL DECAL ORDER SEPARATE
7	F481774		1	BRACKET, ENGINE COVER LATCH
8	F2088		2	FASTENER
9	F481434		2	GUIDE, ENGINE COVER
10	A611397		1	DECAL, ENGINE COVER - PORT W/LITERATURE
-	A611396		1	DECAL, ENGINE COVER - STARBOARD W/LITERATURE
11	FA579386		2	DECAL, NUMERAL W/LITERATURE
12	FA481469		1	LATCH HANDLE, ENGINE COVER W/SHAFT
13	F480818		2	BEARING, LATCH SHAFT
14	F1864		6	HEX CAP SCREW, 1/4 - 20 X 3/4
15	F480038-2		1	PLATE, SUPPORT
16	F549189		1	BUSHING, ELECTRIC CABLE
17	F545189		1	BUSHING, CABLE ENTRY
18	F1708		2	HEX HD CAP SCREW, 1/4 - 20 X 1-3/8
19	F1922		5	HEX SLOT HD SCREW, 1/4 - 20 X 5/8
20	F1858		2	HEX CAP SCREW, 5/16 - 18 X 1
21	F8096		4	LOCKWASHER
22	F1857		2	HEX CAP SCREW, 5/16 - 18 X 5/8
23	F335654-1		1	STOP, DEFLECTION
24	F1854		1	HEX CAP SCREW, 1/4 - 20 X 5/8
25	F8094		1	WASHER, PLAIN
26	F8083		1	LOCKWASHER
27	F481777		1	CAM, LATCH SHAFT
28	F2047		1	WAVE WASHER
29	F481382-1		1	SPACER, LATCH SHAFT
30	F321756		1	PACKING
31	F373778-1		1	RETAINER, ENGINE COVER
32	F2066		26	PAN HEAD TAPPING SCREW, 10 X 7/16
33	F1473		7	HEX NUT, 10 - 24
34	F1857		2	HEX CAPSCREW, 5/16 - 18 X 5/8
35	F8096		2	LOCKWASHER
36	FA481743		1	LATCH, ROLLER BRACKET W/ROLLER
37	FA548888		1	TRIM, FRONT W/LITERATURE
-	F548984		1	BLANKET, SILENCER - TOP (NOT SHOWN)
-	F548985		2	BLANKET, SILENCER - SIDE (NOT SHOWN)

ELECTRICAL COMPONENTS

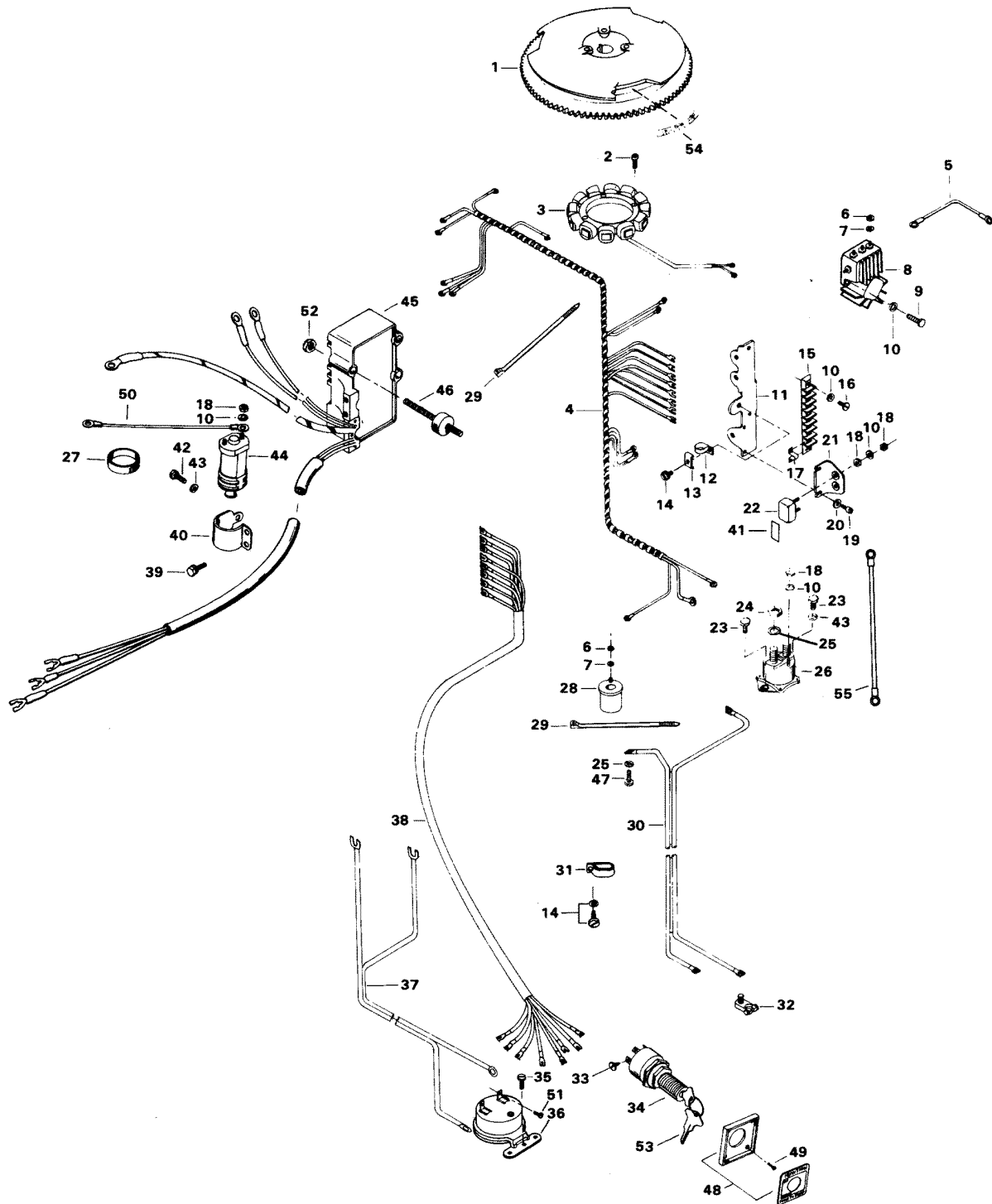


ELECTRICAL COMPONENTS

REF. NO.	PART NO.	SYM.	QTY.	DESCRIPTION
1	F404097		1	FLYWHEEL
2	F1087		6	FILL HD SCREW, 10 - 24 X 13/16
3	F85095-2		1	STATOR
4	F438744-1		1	WIRING HARNESS
5	F345683		1	WIRE, REGULATOR-RECTIFIER GROUND
6	F1647		5	HEX NUT, 8 - 32
7	F8056		5	SPRING LOCKWASHER
8	F404470-1		1	REGULATOR-RECTIFIER
9	F2107		3	FILL HD SCREW, 10 - 24 X 5/8
10	F1975		10	SPRING LOCKWASHER
11	FA438493		1	TERMINAL BLOCK BRACKET W/ILLUS. 13, 14 AND ILLUS. 6 ON PAGE 14
12	F289446-1		1	CLAMP
13	F438668		1	RETAINER, CABLE CLAMP
14	F1734		2	FILL HD SCREW W/LOCKWASHER, 1/4 - 20 X 1/2
15	FA510497		1	TERMINAL BLOCK W/ILLUS. 16 ORIGINAL FORCE P/N K 289497-2
16	F1648		2	PAN HD SCREW, 10 - 24 X 3/4
17	F307317		1	CLIP, TERMINAL BLOCK
18	F1513		8	HEX NUT
19	F1760		2	PAN HD SCREW, 10 - 24 X 3/8
20	F8011		2	PLAIN WASHER
21	F91446-1		1	CIRCUIT BREAKER BRACKET
22	F510460		1	CIRCUIT BREAKER
23	F1705		2	HEX CAP SCREW, 1/4 - 20 X 3/4
24	F1515		2	HEX NUT
25	F8096		3	SPRING LOCKWASHER
26	F460917		1	STARTER RELAY
27	F391983		2	RETAINING BAND
28	F85924		1	CHOKE SOLENOID
29	F1877		2	TY-RAP
30	F381896-4		1	BATTERY CABLE
31	F407446		1	CLAMP
32	F71H26		1	BATTERY CABLE CLAMP KIT. (ACCESSORY ITEM)
33	F1280		5	PAN HD SCREW, 8 - 32 X 1/4
34	F5H078		1	IGNITION SWITCH (LONG BARREL) W/KEYS AND SCREWS (ACCESSORY ITEM)
35	F1741		2	PAN HD SCREW, 8 X 3/4
36	F5H043		1	OVERHEAT BUZZER (ACCESSORY ITEM)
37	F404841		1	CABLE, HEAT INDICATOR
38	F85843-1		1	REMOTE ELECTRIC CABLE, 18 FEET
39	F1851		2	FILL HD SCREW W/LOCKWASHER, 10 - 24 X 1/2
40	F404513		1	COIL CLAMP
41	F510374		1	DECAL, CIRCUIT BREAKER - USA

CONTINUED ON NEXT PAGE ➡

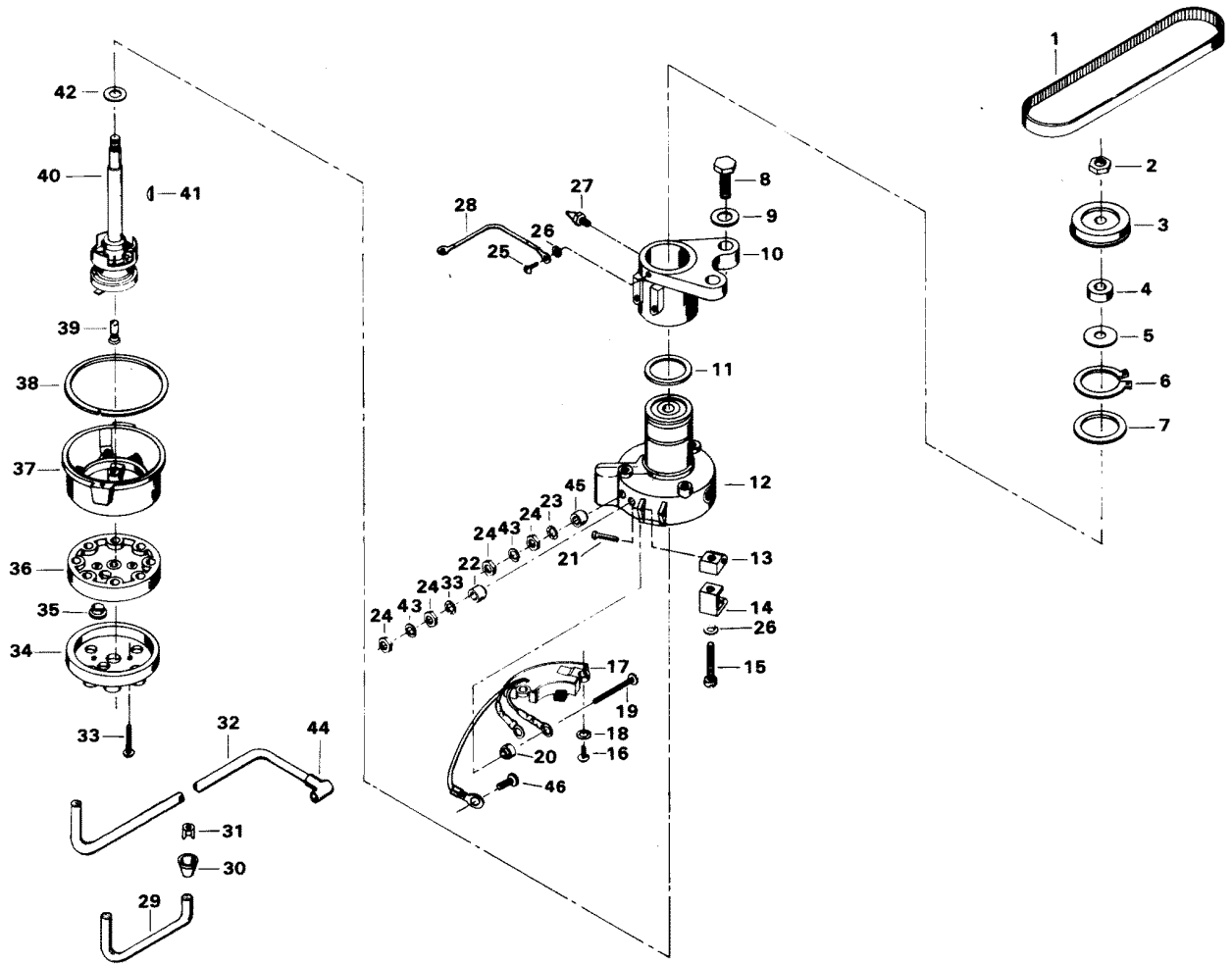
ELECTRICAL COMPONENTS



ELECTRICAL COMPONENTS

REF. NO.	PART NO.	SYM.	QTY.	DESCRIPTION
-	FC510374		1	DECAL, CIRCUIT BREAKER - CANADA
42	F1689		1	HEX HD CAP SCREW, 1/4 - 20 X 1/2
43	F8083		2	SPRING LOCKWASHER
44	F345475-1		1	COIL
45	300-817855A1		1	UNIT (ORIGINAL FORCE P/N A 523301-1)(Does not include Coil & Clamp)
46	F523962		3	SHOCK MOUNT - C.D. UNIT
47	F2000		1	HEX CAP SCREW, 5/16 - 18 X 3/4
48	F5H038		1	IGNITION SWITCH MOUNTING KIT (ACCESSORY ITEM)
-	817892--1		1	IGNITION SWITCH PLATE - CANADA (NOT SHOWN)
49	F1934		4	FLAT HD SLOTTED SCREW, 6 X 1/2
50	F85664		1	WIRE, DISTRIBUTOR GROUND
51	F1645		2	RD HD SCREW, 6 - 32 X 1/4
52	F1892		3	STOP NUT
53	FA368700		-	KEY, IGNITION - NO LETTER OR STAMPED A
-	FB368700		-	KEY IGNITION - STAMPED B
-	FC368700		-	KEY IGNITION - STAMPED C
-	FD368700		-	KEY IGNITION - STAMPED D
-	FE368700		-	KEY IGNITION - STAMPED E
54	F474387		1	TIMING DECAL
55	F319908		1	WIRE, GROUND (CANADA ONLY)

DISTRIBUTOR

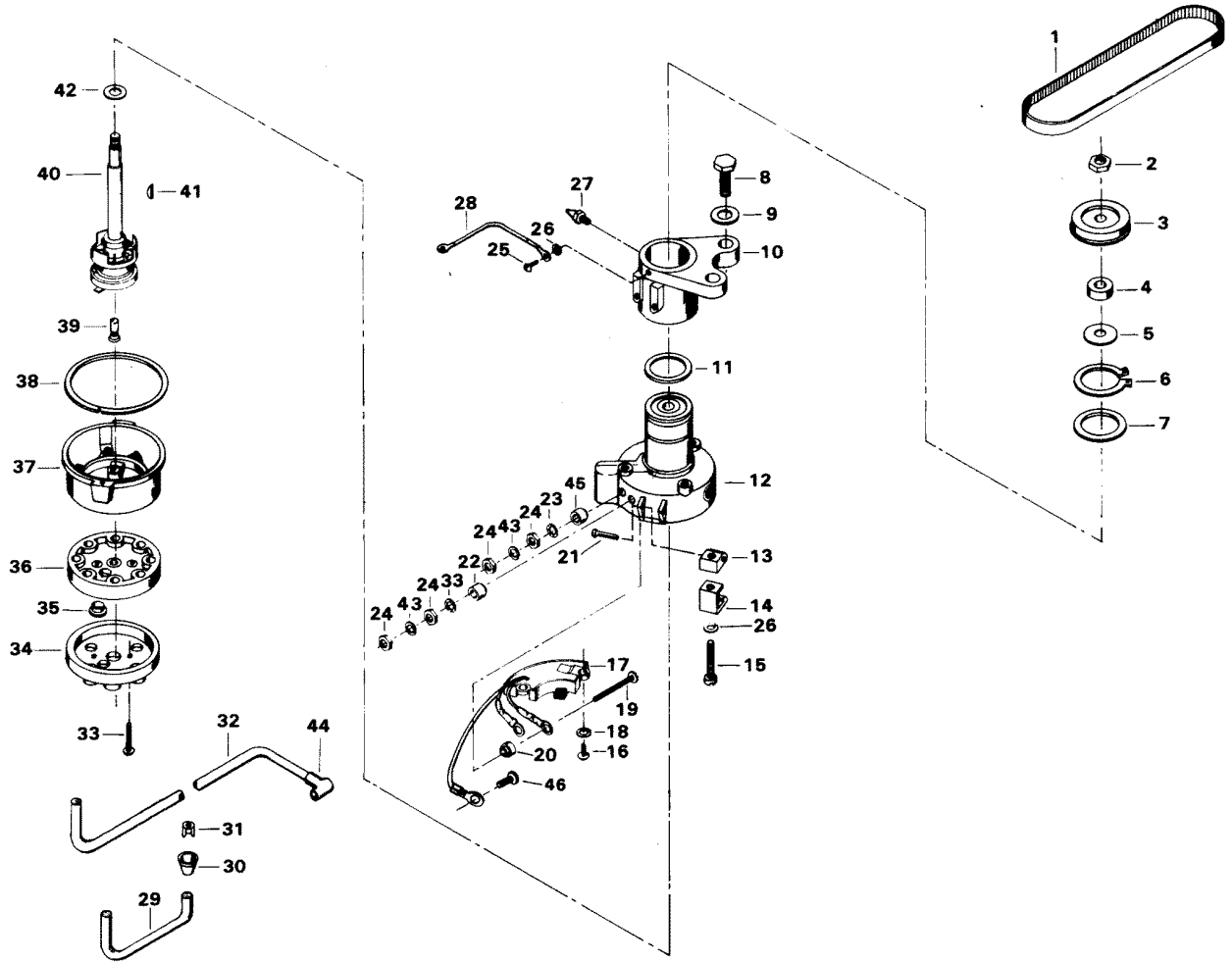


DISTRIBUTOR

REF. NO.	PART NO.	SYM.	QTY.	DESCRIPTION
1	F85311		1	DISTRIBUTOR BELT
2	F7013		1	STOP NUT
3	817786A1		1	DISTRIBUTOR PULLEY W/STOP NUT, WASHER AND LITERATURE
4	F14025		1	SPACER
5	F14028		1	THRUST WASHER
6	F85173		1	RETAINING RING
7	F14029		1	THRUST WASHER
8	F1612		2	HEX CAP SCREW, 3/8 - 16 X 1-1/4
9	F1778		2	PLAIN WASHER
10	FA321574		1	DISTRIBUTOR BRACKET W/ILLUS. 25, 26 AND 27
11	F1759		2	SHIM, DISTRIBUTOR (QTY. AS REQUIRED)
12	F14042		1	DISTRIBUTOR HOUSING W/BEARINGS
-	817822A1		1	DISTRIBUTOR, COMPLETE. INCLUDES ALL ITEMS MARKED WITH AN ASTERISK (*) ORIGINAL FORCE P/N A 480309-1
13	F14036		2	SWIVEL
14	F14037		2	CAP CLIPS
15	F14038		2	CAP CLIP SCREWS
16	F14045		2	SCREW
17	FA14048-2		1	PREAMPLIFIER W/SCREW, WASHER AND LITERATURE
18	F8056		2	LOCKWASHER
19	F14046		2	TERMINAL SCREW
20	F14047		2	TERMINAL INSULATOR (INSIDE)
21	F14015		2	CAP CLIP RIVET
22	F14049		1	TERMINAL INSULATOR (OUTSIDE)
23	F14041		2	EXTERNAL TOOTH LOCKWASHER
24	F1647		4	HEX NUT, 8 - 32
25	F1760		2	PAN HD SCREW, 10 - 24 X 3/8
26	F1975		2	SPRING LOCKWASHER
27	F213274		1	GREASE FITTING
28	F85664		1	DISTRIBUTOR GROUND
29	84-817775A1		1	COIL WIRE W/ILLUS. 30 AND 31 - USA ORIGINAL FORCE P/N A 321905-1
-	F438905		1	COIL WIRE - CANADA
30	F203276		1	BOOT
31	F203673		1	TERMINAL CLIP
32	F321841-3		3	LEAD WIRE
-	F438841-1		3	LEAD WIRE - CANADA
33	F14007		2	CAP SCREW
34	F14011-1		1	CAP COVER
35	F14040		2	VENT
36	F14020-1		1	CAP SEAL
37	F14006-2		1	CAP BASE
38	F14030		1	CAP GASKET

CONTINUED ON NEXT PAGE ➡

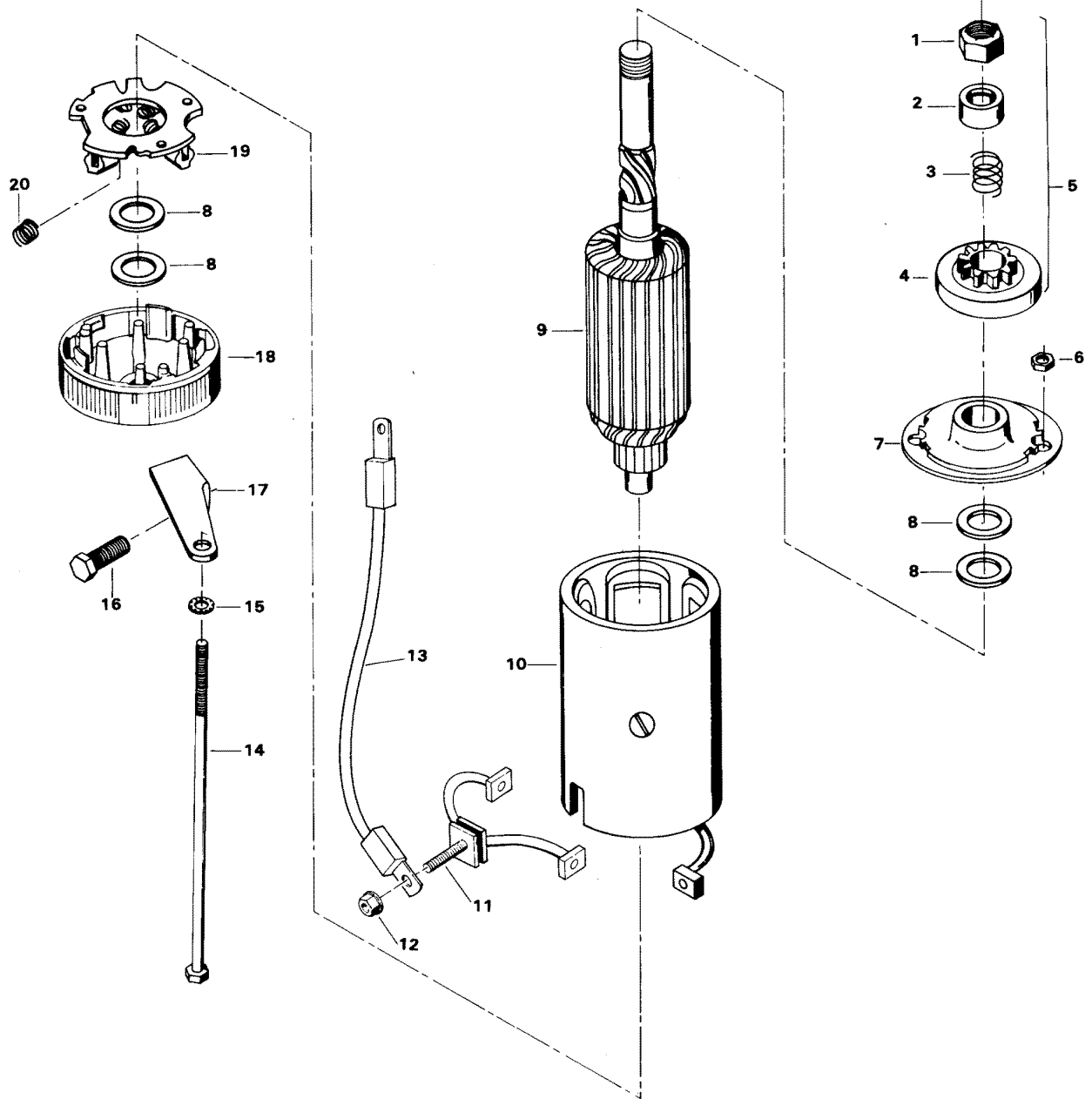
DISTRIBUTOR



DISTRIBUTOR

REF. NO.	PART NO.	SYM.	QTY.	DESCRIPTION
39	F14012-1		1	BRUSH
40	F14043		1	DISTRIBUTOR SHAFT
41	F1692		1	WOODRUFF KEY
42	F14024		1	SPACER
43	F8056		2	LOCKWASHER
44	FK1123		3	SPARKIE
45	F14017		1	TERMINAL INSULATOR (OUTSIDE)
46	F14056		1	SCREW

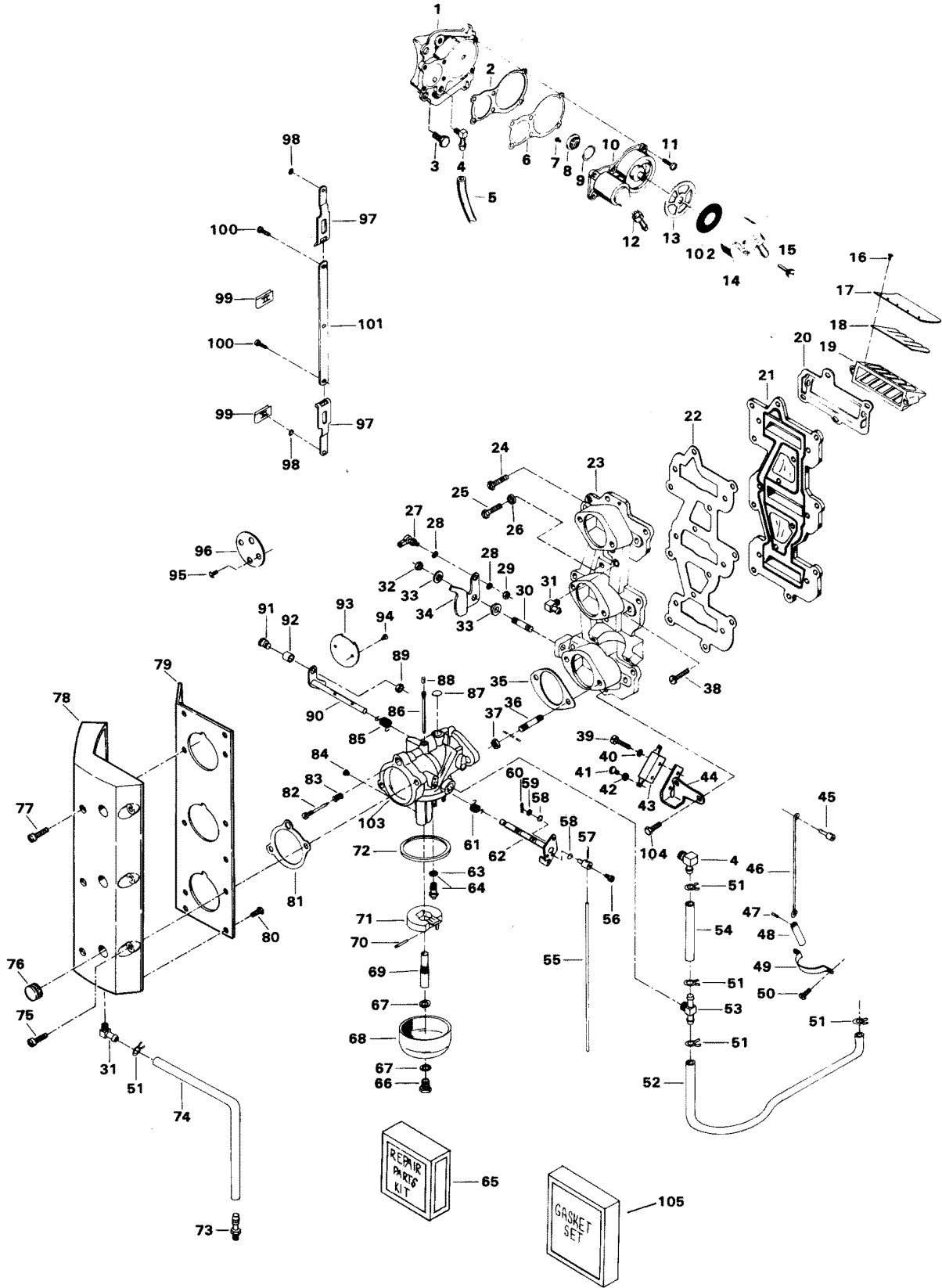
ELECTRIC STARTER



ELECTRIC STARTER

REF. NO.	PART NO.	SYM.	QTY.	DESCRIPTION
1	F15111		1	NUT, STOP RETAINING
2	F15112		1	STOP, PINION
3	F15080		1	SPRING
4	F15110		1	CLUTCH ASSEMBLY
5	F15100		1	BENDIX
-	F480955		1	STARTER COMPLETE. INCLUDES ALL ITEMS MARKED WITH AN ASTERISK (*)
-	FC499390		1	DECAL, STARTER (CANADA) NOT SHOWN
6	F1641		2	LOCK NUT
7	F15167		1	HEAD ASSEMBLY DRIVE END
8	F15126		1	THRUST WASHER PACKAGE
9	F15099		1	ARMATURE
10	15169		1	FRAME AND FIELD ASSEMBLY
11	F15165		1	BRUSH TERMINAL SET
12	FA15072		1	HEX LOCK NUT, 1/4 - 20 W/LOCKWASHER
13	F85908		1	STARTER LEAD WIRE
14	F15168		1	THRU BOLT PACKAGE
15	F8028		2	PLAIN WASHER
16	F1922		1	HEX HD SCREW, 1/4 - 20 X 5/8
17	F511675		1	STARTER BRACKET, LOWER
18	F15125		1	HEAD ASSEMBLY, COMMUTATOR END
19	F15057		1	BRUSH PLATE AND HOLDER
20	F15034		1	SPRING SET

CARBURETOR

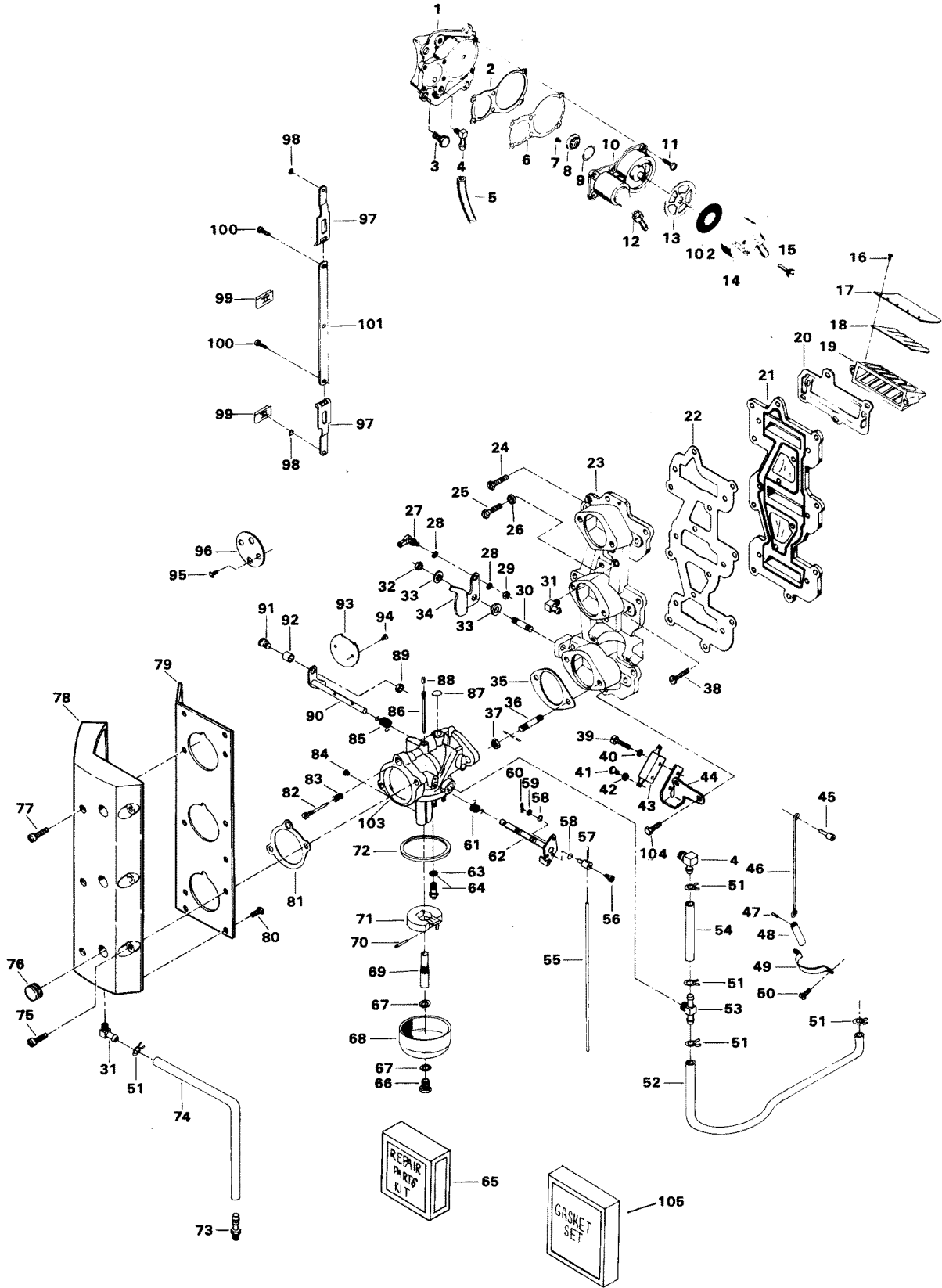


CARBURETOR

REF. NO.	PART NO.	SYM.	QTY.	DESCRIPTION
1	FA439746		1	FUEL PUMP COVER W/PLUG AND LITERATURE
2	F438760		1	FUEL PUMP GASKET
3	F1922		4	HEX CAP SCREW, 1/4 - 20 X 5/8
4	F84314-2		2	ELBOW
5	F89758		1	FUEL PUMP AIR HOSE, TOP
6	F438747		1	FUEL PUMP DIAPHRAGM
7	F1860		2	SLOTTED BINDING HD SCREW, 6 - 32 X 1/4
8	F177330		3	FUEL PUMP VALVE
9	F84792		1	GASKET, FUEL PUMP VALVE
10	FA438431		1	FUEL PUMP BODY W/ILLUS. 7, 8 AND 9
11	F1108		6	FILL HD SCREW W/LOCKWASHER, 1/4 - 20 X 3/4
12	F438801		1	FITTING
13	F438653		1	FUEL SEDIMENT BOWL SCREEN
14	F438500		1	FUEL SEDIMENT BOWL
15	F438165		1	SCREW, FUEL PUMP BOWL
16	F1755		30	RD HD SCREW W/LOCKWASHER, 6 - 32 X 5/16
17	F85161-1		6	REED STOP
18	F530160		6	REED (5 PETAL)
19	F3A321158		3	REED PLATE W/ILLUS. 16, 17 AND 18
20	F85168		3	GASKET REED PLATE ADAPTER
21	F85162		1	REED PLATE ADAPTER
22	F85159		1	GASKET, INTAKE MANIFOLD
23	817959A3		1	INTAKE MANIFOLD W/ILLUS. 38 AND LITERATURE ORIGINAL FORCE P/N K 480167-1
24	F2008		7	HEX HD SCREW, 1/4 - 20 X 7/8
25	F1916		2	HEX HD SCREW, 1/4 - 20 X 1-1/8
26	F8026		1	PLAIN WASHER
27	817747--1		1	BALL JOINT W/STUD
28	F8058		2	INTERNAL TOOTH LOCKWASHER
29	F1513		1	HEX NUT, 10 - 32
30	F433209-1		1	STUD
31	22-818103--1		2	ELBOW
32	F1910		1	STOP NUT, 1/4 - 20
33	F269319		2	BEARING
34	F85192-1		1	THROTTLE CAM
35	F85906		3	CARBURETOR GASKET
36	F40209		6	CARBURETOR STUD
37	F1515		6	HEX NUT, 5/6 - 18
38	F2050		6	HEX HD SCREW, 1/4 - 20 X 1-1/2
39	F2016		2	FILL HD SCREW, 6 - 32 X 7/8
40	F8088		2	PLAIN WASHER
41	F1645		2	RD HD SCREW, 6 - 32 X 1/4
42	F1704		2	INTERNAL TOOTH LOCKWASHER

CONTINUED ON NEXT PAGE ➡

CARBURETOR

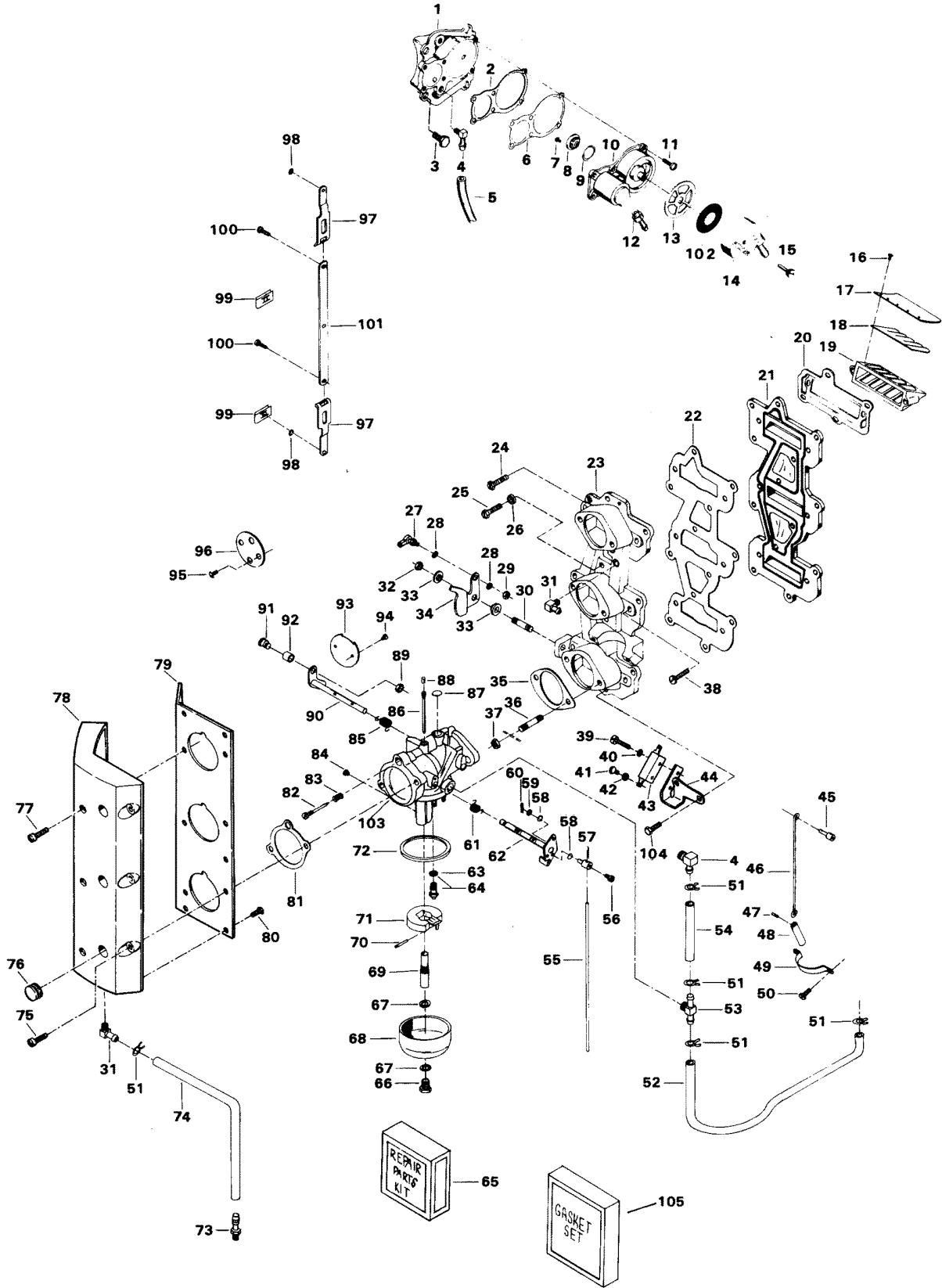


CARBURETOR

REF. NO.	PART NO.	SYM.	QTY.	DESCRIPTION
43	F84449		1	INTERLOCK SWITCH
44	F480551-1		1	BRACKET INTERLOCK SWITCH
45	F85033		1	CHOKE ROD SWIVEL
46	F85925		1	CHOKE ROD
47	F2033		1	GROOVE PIN
48	F391926-1		1	CHOKE SOLENOID PLUNGER
49	F85317-1		1	CLAMP
50	F1236		2	HEX HD SCREW, 1/4 - 20 X 1/2
51	F97772		6	HOSE CLAMP
52	F438754		1	FUEL LINE
53	F85314-1		2	FUEL FITTING
54	F85253-1		2	FUEL LINE
55	F85509-1		1	CHOKE LINK
56	F1059		3	FILL HD SCREW, S.S., 6 - 32 X 1/4
57	F184033-1		2	CHOKE ARM SWIVEL
58	F184579		6	SEAL, CHOKE ARM SWIVEL
59	F8088		3	PLAIN WASHER
60	F1014		3	COTTER PIN
61	FO16397		1	CHOKE SHAFT RETURN SPRING
62	FO16850		1	CHOKE SHAFT AND LEVER
63	FO10165		1	INLET SEAT GASKET
64	FO10790		1	INLET NEEDLE, SEAT AND GASKET
65	FK10055		1	REPAIR PARTS KIT. INCLUDES ALL ITEMS MARKED WITH AN ASTERISK (*) .
66	FO13945		1	FUEL BOWL RETAINING SCREW
67	FO2510		2	GASKET, FUEL BOWL RETAINING SCREW
68	FO13552		1	FUEL BOWL
69	FO15209		1	MAIN NOZZLE
70	FO13944		1	FLOAT LEVER PIN
71	FO13554		1	FLOAT
72	FO15623		1	FUEL BOWL GASKET
73	22-817789A1		1	DRAIN FITTING W/METERING CUP
74	F63754		1	HOSE INTAKE DRAIN
75	F1504		3	FILL HD SCREW, 1/4 - 20 X 1-1/4
76	F53504		3	GROMMET
77	F1072		3	FILL HD SCREW, 1/4 - 20 X 1-3/4
78	F481860-1		1	CARBURETOR, INTAKE
79	F481567		1	CARBURETOR INTAKE ADAPTER
80	F1760		6	PAN HD SCREW, 10 - 24 X 3/8
81	F481836		3	INTAKE GASKET
82	FO14166		1	IDLE SCREW
83	FO11103		1	IDLE SCREW SPRING
84	FO14188		1	MAIN FUEL JET (.066) STD. SEA LEVEL - 1500 FT.

CONTINUED ON NEXT PAGE ➡

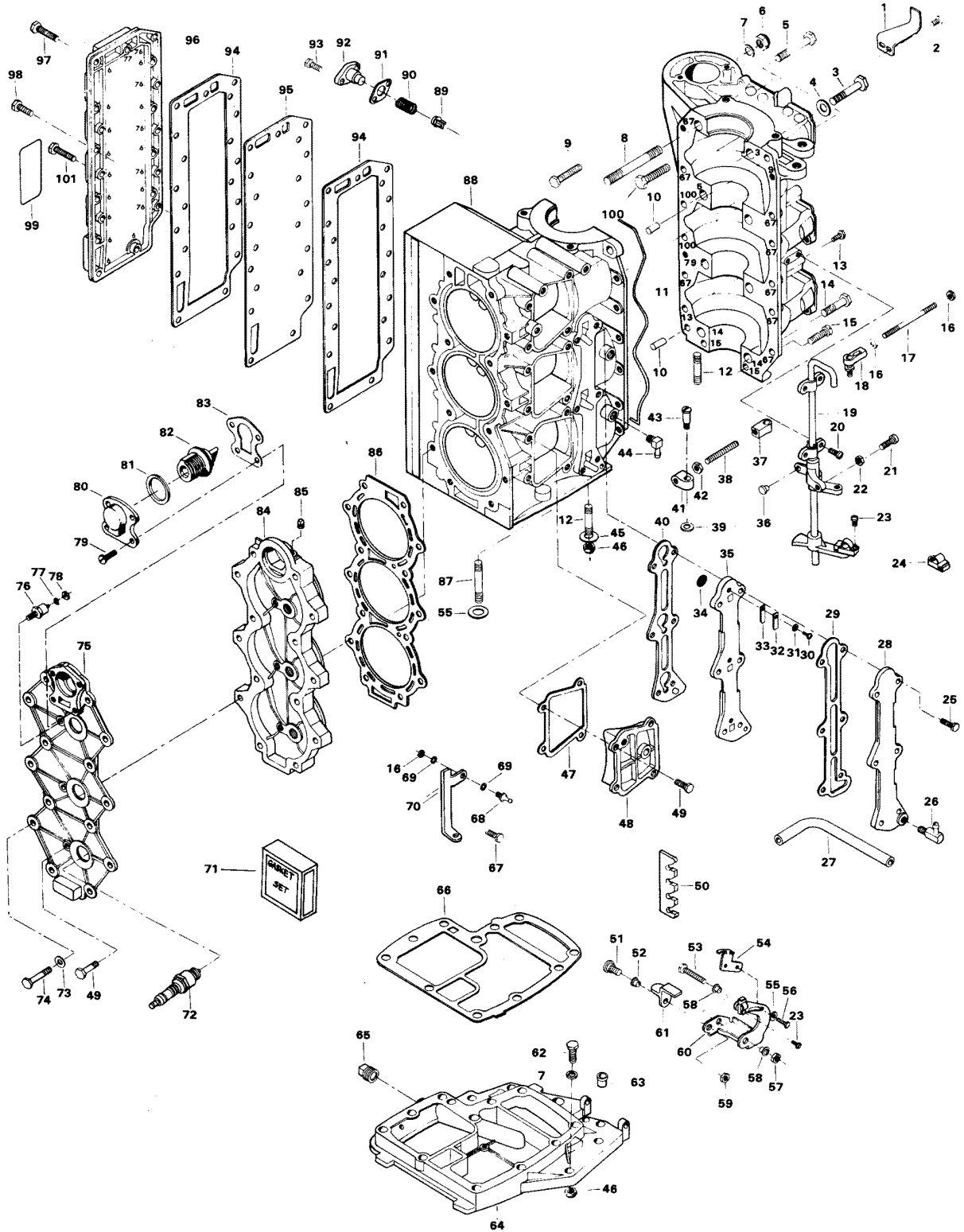
CARBURETOR



CARBURETOR

REF. NO.	PART NO.	SYM.	QTY.	DESCRIPTION
-	FO14108		-	MAIN FUEL JET (.064) OPT. 1500 FT. - 3000 FT.
-	FO14187		-	MAIN FUEL JET (.062) OPT. 3000 FT. - 4500 FT.
-	FO14186		-	MAIN FUEL JET (.060) OPT. 4500 FT. - 6000 FT.
-	FO15337		-	MAIN FUEL JET (.058) OPT. 6000 FT. & UP . OPTIONAL SIZE MAIN FUEL JETS (USE ONLY ALTITUDE INDICATED)
85	FO16008		1	THROTTLE SHAFT RETURN SPRING
86	FO13966		1	IDLE TUBE
87	FO4326		1	BODY CHANNEL WELCH PLUG
88	FO10588		1	BODY CHANNEL CUP PLUG
89	F1997		1	STOP NUT, 8 - 32
90	FO15230		1	THROTTLE SHAFT AND LEVER
91	F333316		1	THROTTLE ROLLER SHAFT
92	F92759		1	THROTTLE ROLLER
93	FO14167		1	THROTTLE SHUTTER
94	FO8942		2	THROTTLE SHUTTER SCREW AND LOCKWASHER
95	FO8942		2	SHUTTER SCREW W/LOCKWASHER
96	FO14471		1	CHOKE SHUTTER
97	FA85193		2	TIE BAR END W/SWIVEL
98	F90807		3	RETAINING RING
99	F1693		2	TIE BAR RETAINER
100	F1064		2	FILL HD SCREW, S.S., 8 - 32 X 3/8
101	FA85511		1	THROTTLE TIE BAR W/SWIVEL
102	F438617		1	FUEL SEDIMENT BOWL GASKET
103	F498061-1		3	CARBURETOR COMPLETE (WB26B)
104	F1532		3	HEX HD SCREW, 1/4 - 20 X 1
105	FK10000		1	GASKET SET. INCLUDES ALL ITEMS MARKED WITH A DOUBLE ASTERISK (**)

POWERHEAD

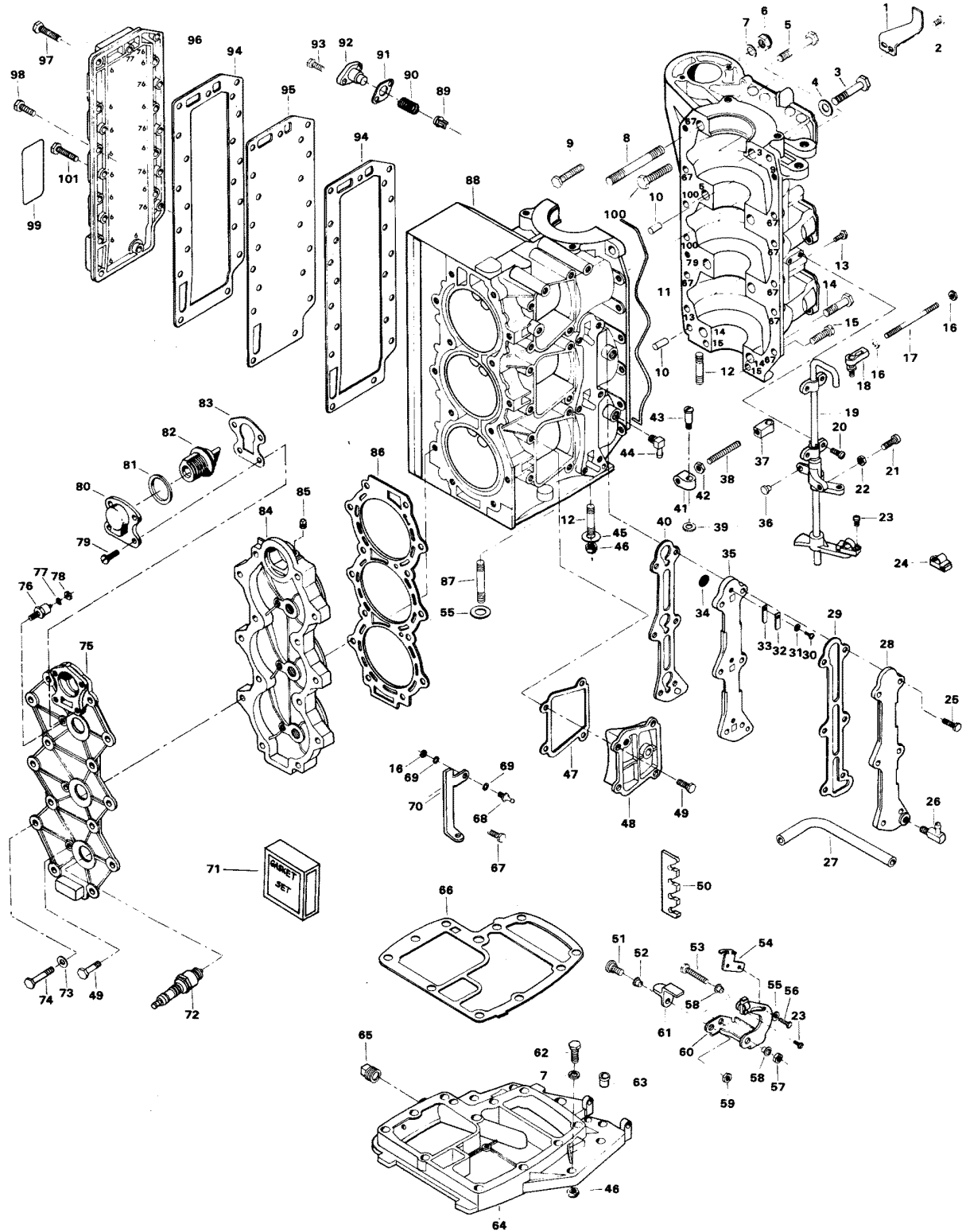


POWERHEAD

REF. NO.	PART NO.	SYM.	QTY.	DESCRIPTION
1	FA480894		1	TIMING POINTER W/ILLUS. 56 ON PAGE 4 AND LITERATURE
2	F1760		2	PAN HD SCREW, 10 - 24 X 3/8
3	F1009		1	HEX BOLT, 3/8 - 16 X 2-3/4
4	F8095		14	PLAIN WASHER
5	F1873		4	HEX BOLT, 3/8 - 16 X 3
6	F1346		1	HEX NUT, 3/8 - 16
7	F1703		6	SPRING LOCKWASHER
8	F85210		1	STUD
9	F1864		1	HEX HD SCREW, 1/4 - 20 X 3/4
10	F8563		2	DOWEL PIN
11	F85122		1	PARTING LINE SEAL
12	F85859		4	STUD, FORWARD
13	F1199		1	HEX CAP SCREW, 1/4 - 20 X 1
14	F1872		2	HEX BOLT, 3/8 - 16 X 1-3/4
15	F1099		2	FILL HD SCREW, 1/4 - 20 X 1-1/4
16	F1513		4	HEX NUT, 10 - 32
17	F85502		1	THROTTLE LINK
18	817747--1		1	BALL JOINT W/STUD
19	FA85838-5		1	TOWERSHAFT W/ILLUS. 18, 21, 22, 23, 24 AND 36
20	F1475		4	FILL HD SCREW, 10 - 24 X 1/2
21	F1504		1	FILL HD SCREW, 1/4 - 20 X 1-1/4
22	F1341		1	HEX NUT, 1/4 - 20
23	F1556		2	FILL HD SCREW W/LOCKWASHER, 10 - 24 X 3/8
24	FK405020		2	SWIVEL W/PIVOT SCREW AND NUT
25	F1532		6	HEX HD SCREW, 1/4 - 20 X 1
26	F404801		1	FITTING
27	F433253		1	HOSE
28	817787A1		1	CYLINDER DRAIN COVER W/PLUG AND LITERATURE ORIGINAL FORCE P/N A 404471-1
29	F85472-2		1	GASKET, CYLINDER DRAIN COVER
30	F1286		3	PAN HD SCREW, 4 - 40 X 3/16
31	F8003		3	PLAIN WASHER
32	F93920		3	REED STOP
33	F18160-2		3	REED
34	F93811		3	SCREEN
35	F2A404757		1	CYLINDER DRAIN REED PLATE W/ILLUS. 30, 31, 32, 33, 34 AND METERING CUPS
36	F1727		1	PLASTIC RIVET
37	F85036		1	TOWERSHAFT CONTROL ROD END
38	F85445		1	DISTRIBUTOR CONTROL ROD
39	F2042		1	PLAIN WASHER
40	F85748-2		1	GASKET, CYLINDER DRAIN REED PLATE
41	F85035		1	DISTRIBUTOR CONTROL ROD END
42	F2015		1	HEX NUT, 1/4 - 28

CONTINUED ON NEXT PAGE ➡

POWERHEAD

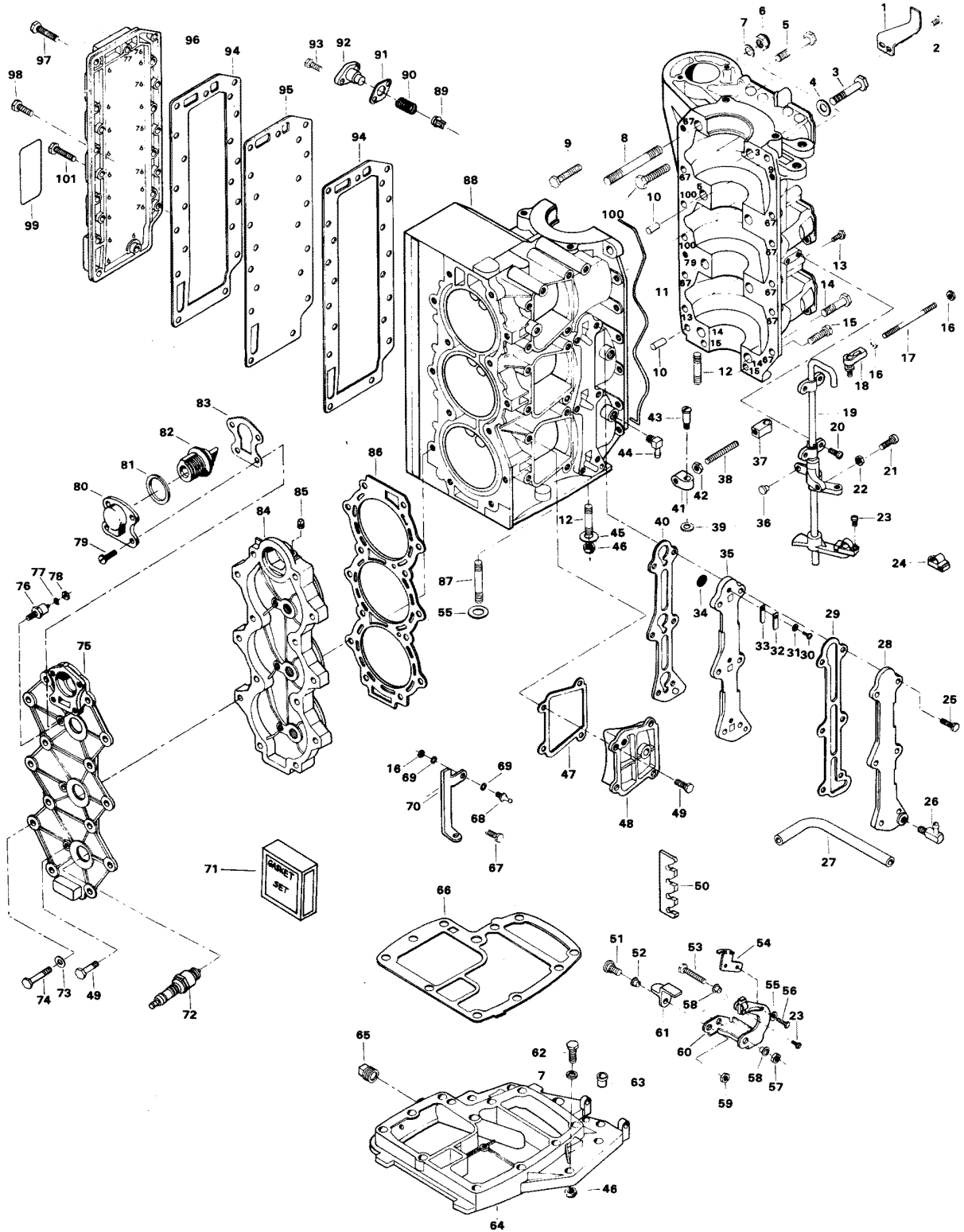


POWERHEAD

REF. NO.	PART NO.	SYM.	QTY.	DESCRIPTION
43	F85026		1	SWIVEL
44	F84314-2		1	ELBOW
45	F8038		4	PLAIN WASHER
46	F7004		10	STOP NUT, 3/18 - 16
47	F40223		3	GASKET, TRANSFER PORT COVER
48	FA411222		2	TRANSFER PORT COVER W/PLUGS AND LITERATURE
49	F1922		8	HEX HD SCREW, 1/4 - 20 X 5/8
50	F523834		1	CLIP, SPARK PLUG WIRE
51	F369887		1	SHOULDER SCREW
52	F369610		1	BEARING
53	F1885		1	HEX BOLT, 5/16 - 18 X 4-1/4
54	F480107-1		1	CAM, STARTER INTERLOCK
55	F2042		2	PLAIN WASHER
56	F2089		2	SLOTTED PAN HD MACHINE SCREW, 10 - 24 X 5/16
57	F2108		1	STOP NUT, 5/16 - 18
58	F85610		2	BEARING
59	F1832		1	STOP NUT, 1/4 - 20
60	FA480876		1	GEAR SHIFT ARM W/ILLUS. 24, 51, 52, 58, 59 AND 61
61	F369977-1		1	INTERLOCK ARM
62	F1869		6	HEX BOLT, 3/8 - 16 X 1-1/4
63	F40689-1		1	BEARING, TOWERSHAFT
64	817788A3		1	SPACER PLATE W/ILLUS. 65 ORIGINAL FORCE P/N A 404680-1
65	F2090		1	PLUG
66	F85279-2		1	CYLINDER EXHAUST GASKET, UPPER
67	F1864		10	HEX HD SCREW, 1/4 - 2 X 3/4
68	F98273		2	ROD END CONNECTOR STUD
69	F8058		4	INTERNAL TOOTH LOCKWASHER
70	FS85872-1		1	BRACKET
71	FG1020		1	GASKET SET (INCLUDES THE FOLLOWING)
-	F40223		3	TRANSFER PORT COVER GASKET
-	F84278		1	CRANKSHAFT BRG. CAGE SEAL
-	F84504		1	THERMOSTAT GROMMET
-	F85122		1	CRANKCASE SEAL
-	F85154-1		2	EXHAUST PORT PLATE GASKET
-	F85159		1	MANIFOLD GASKET
-	F85168		3	CARBURETOR ADAPTER FLANGE GASKET
-	F85453-1		1	CYLINDER, EXHAUST - LOWER GASKET
-	F85472-2		1	CYLINDER DRAIN COVER GASKET
-	F85748-2		1	CYLINDER DRAIN REED PLATE GASKET
-	F85762		1	BY-PASS VALVE PLATE GASKET
-	F85906		3	CARBURETOR GASKET
-	F369529-1		1	CYLINDER HEAD GASKET

CONTINUED ON NEXT PAGE ➡

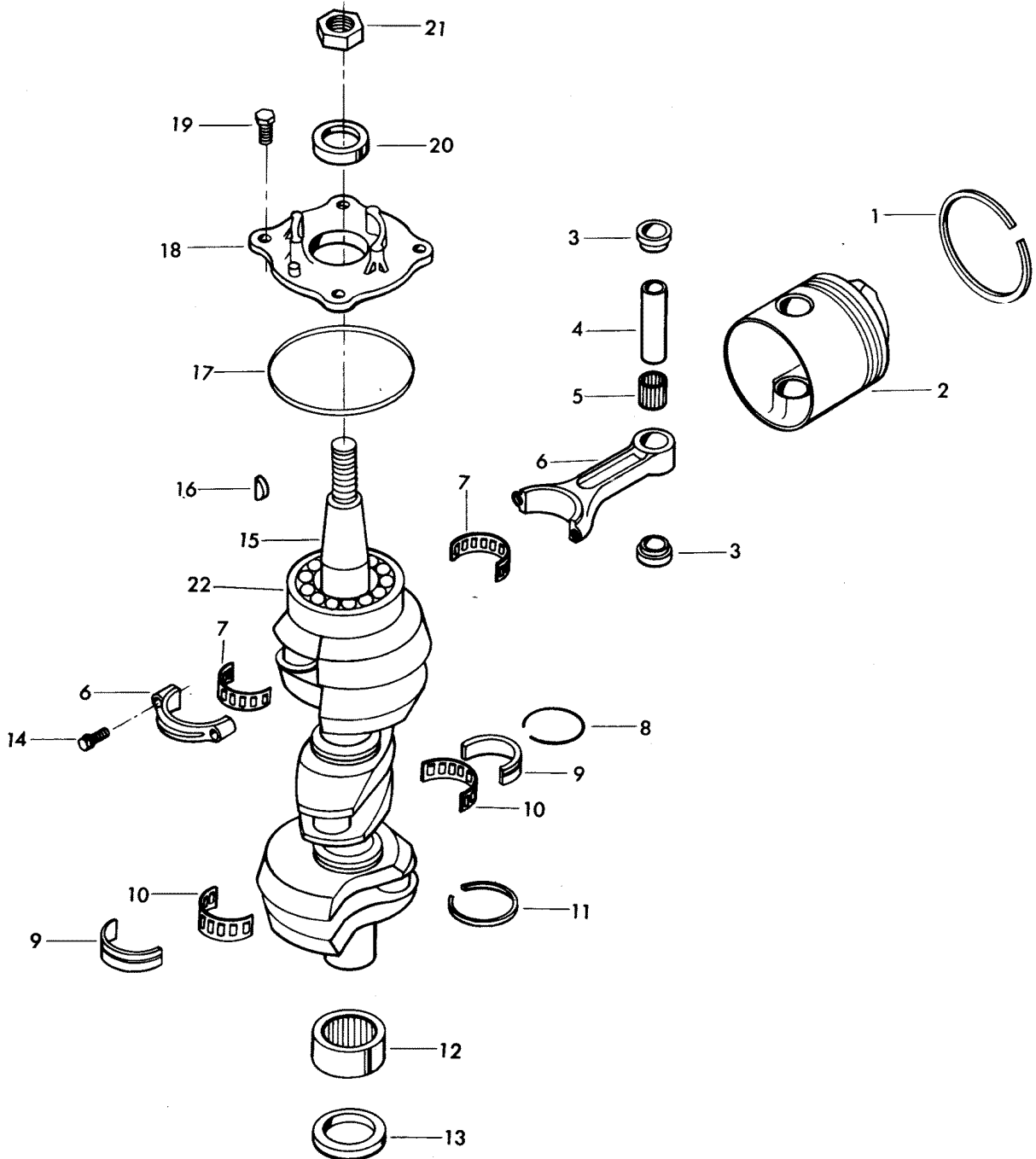
POWERHEAD



POWERHEAD

REF. NO.	PART NO.	SYM.	QTY.	DESCRIPTION
-	F476067		1	THERMOSTAT COVER GASKET
-	F481836		3	INTAKE GASKET
72	33-97180		3	SPARK PLUG (AC V40 FFM)
-	FC522227		3	SPARK PLUG (CHAMPION QUL-77V) - CANADA
73	F1987		14	PLAIN WASHER
74	F1883		14	HEX BOLT, 5/16 - 18 X 2-3/8
75	F499995		1	CYLINDER HEAD COVER
76	87-817778A1		1	THERMOSWITCH W/ILLUS. 77 AND 78 ORIGINAL FORCE P/N A 335449-1
77	F8056		1	SPRING LOCKWASHER
78	F1647		1	HEX NUT, 10 - 32
79	F1110		4	FILL HD SCREW, 1/4 - 20 X 5/8
80	F476066-1		1	COVER, THERMOSTAT
81	F84504		1	GROMMET
82	F528068		1	THERMOSTAT
83	F476067		1	GASKET, THERMOSTAT COVER
84	F480518		1	CYLINDER HEAD
85	F19109		1	PLUG
86	F369529-1		1	CYLINDER HEAD GASKET
87	F85211		6	STUD, REAR
88	FA480010		1	CYLINDER ASSEMBLY W/ILLUS. 5, 6, 7, 8, 10, 11, 12, 14, 15 AND 87
-	FC548010		1	SHORT BLOCK. INCLUDES ALL ITEMS MARKED WITH AN ASTERISK (*). ALSO REFER TO CRANKSHAFT PAGE.
89	F85916-1		1	BY-PASS VALVE
90	F404268		1	SPRING, BY-PASS VALVE
91	F85762		1	GASKET, BY-PASS VALVE
92	F438066		1	BY-PASS VALVE COVER
93	F1950		2	HEX HD SCREW, 10 - 24 X 5/8
94	F85154-1		2	GASKET, EXHAUST PORT PLATE
95	F85151-1		1	EXHAUST PORT PLATE
96	F85152-4		1	EXHAUST PORT COVER
97	F1708		1	HEX HD SCREW, 1/4 - 20 X 1-3/8
98	F2008		14	HEX BOLT, 1/4 - 20 X 7/8
99	F438398-1		1	DECAL, WIRING
100	F2008		2	HEX CAP SCREW, 1/4 - 20 X 7/8
101	F1916		5	HEX HD SCREW, 1/4 - 20 X 1-1/8

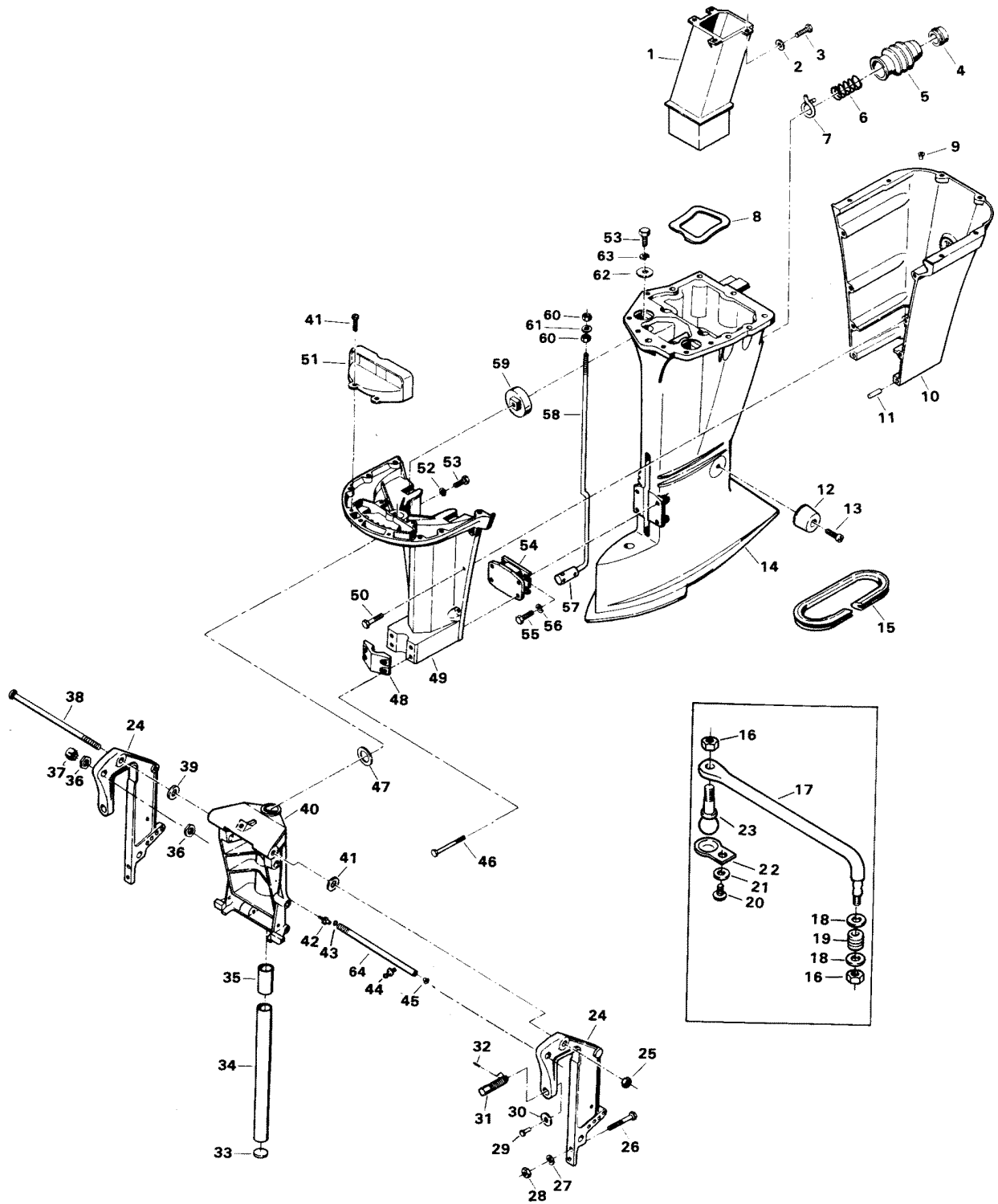
CRANKSHAFT AND PISTON GROUP



CRANKSHAFT AND PISTON GROUP

REF. NO.	PART NO.	SYM.	QTY.	DESCRIPTION
1	FA335260		3	PISTON RING SET (3 PER SET) STANDARD
-	FSA335260		3	PISTON RINGS (3 PER SET) .010 OVERSIZE
-	39-818110A1		3	PISTON RINGS (3 PER SET) .030 OVERSIZE
2	700-F372015-3		3	PISTON (STANDARD)
-	700-817988A2		3	PISTON .010 OVERSIZE
-	700-818111A2		3	PISTON .030 OVERSIZE
3	F335215		6	SPACER, PISTON PIN (2 PER PISTON)
4	F85017		3	PISTON PIN
5	F335217-1		3	BEARING PISTON PIN (26 PER SET)
6	600-818052A4		3	CONNECTING ROD W/CAP AND ILLUS. 14 ORIGINAL FORCE P/N S 366016-4
7	FK85228-1		3	BEARING CAGE W/ROLLER
8	F85410		2	SNAP RING
9	FA85655-1		2	CRANKSHAFT MAIN BEARING RACE W/ILLUS. 8
10	F85571		2	BEARING CAGE W/ROLLER
11	F316579		2	SEAL, CRANKCASE
12	FA523014		1	CRANKSHAFT LOWER MAIN BEARING W/ILLUS. 13
13	F523146		1	SEAL, CRANKSHAFT LOWER
14	F85634-2		6	CONNECTING ROD SCREW
15	FA85018-2		1	CRANKSHAFT W/ILLUS. 11 AND 22
16	F85498		1	FLYWHEEL KEY
17	F84278		1	SEAL, CRANKSHAFT BEARING CAGE
18	31-817785A2		1	CRANKSHAFT BEARING CAGE W/ILLUS. 20 ORIGINAL FORCE P/N A 373144-2
19	F1867		4	HEX CAP SCREW, 3/8 - 16 X 1
20	F84146-2		1	SEAL
21	F1968		1	FLYWHEEL NUT
22	F284659-2		1	CRANKSHAFT THRUST BEARING UPPER
-	F2067		1	PLASTISOL CAP (NOT SHOWN) FOR EXPOSED THREADS OF CRANKSHAFT

MOTOR LEG 758H2D, 758B2D MODELS

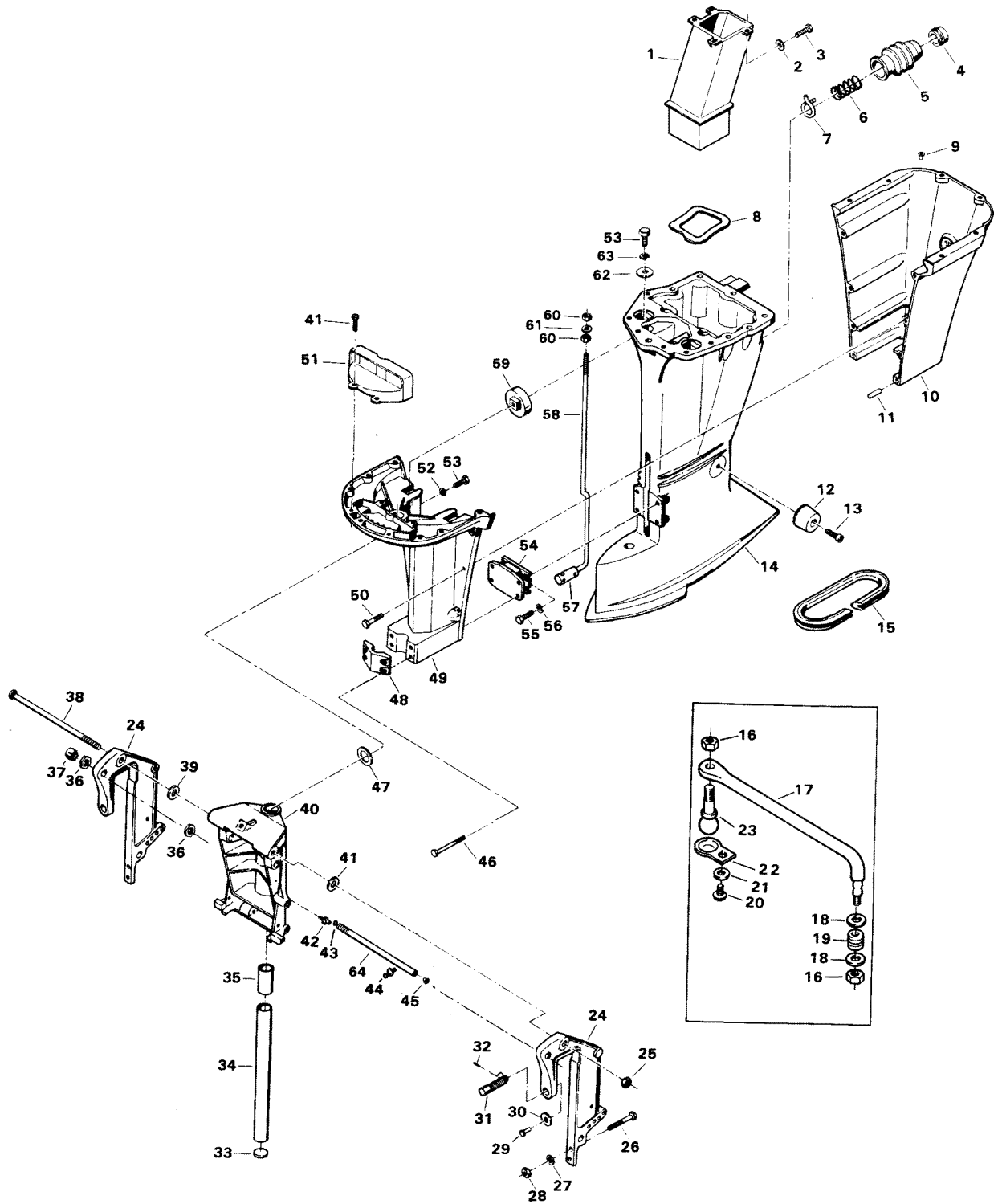


MOTOR LEG 758H2D, 758B2D MODELS

REF. NO.	PART NO.	SYM.	QTY.	DESCRIPTION
1	F85660-1		1	EXHAUST TUBE
2	F8083		4	SPRING LOCKWASHER
3	F1705		4	HEX SLOT HD SCREW, 1/4 - 20 X 3/4
4	F85258		1	INSERT
5	F85130		1	BOOT, IDLE EXHAUST
6	F85380		1	SPRING
7	F85772		1	CLAMP
8	F439736		1	SEAL EXHAUST TUBE
9	F1729		2	PLUG
10	817931A7		1	MOTOR LEG COVER, REAR W/ILLUS. 9 AND 15 ORIGINAL FORCE P/N A 178145-3
11	F1664		2	SPRING PIN
12	F438962		2	SHOCK MOUNT SLIDE
13	F1263		2	HEX SOCKET HD CAP SCREW, 5/16 - 18 X 9/16
14	F523133-2		1	MOTOR LEG
15	F178323		1	SEAL, MOTOR LEG
16	F2093		2	STOP NUT, 3/8 - 24
17	F523881-2		1	STEERING LINK
18	F8038		2	PLAIN WASHER
19	F523300-1		1	SPRING, STEERING LINK
20	F523273		1	STEERING BALL STUD
21	F8080		1	SPRING LOCKWASHER
22	F1280		1	PAN HD SCREW, 8 - 32 X 1/4
23	F523930		1	RETAINER
24	1400-817958A6		2	STERN BRACKET
25	F7012		1	LOCK NUT, 1/2 - 20
26	F1593		2	HEX HD SCREW, 3/8 - 16 X 3
27	F1904		2	PLAIN WASHER
28	F1346		2	HEX NUT, 3/8 - 16
29	F353480		2	STUD
30	F84074		2	CLAMP SCREW FOOT
31	F474073-1		2	CLAMP SCREW
32	F8538		2	SPRING PIN
33	F1528		1	WELCH PLUG
34	FA85019		1	KINGPIN W/ILLUS. 33
35	F438169		2	BEARING
36	F523280		2	NUT, STEERING SUPPORT TUBE
37	F9018		1	CAP
38	F85037-1		1	STERN BRACKET PIVOT BOLT
39	F84286-1		4	FRICTION WASHER
40	817783A5		1	SWIVEL BRACKET W/ILLUS. 35 AND 42 ORIGINAL FORCE P/N A 369072-2
41	F1912		4	HEX HD SCREW, 10 - 24 X 1/2
42	F213274		3	GREASE FITTING

CONTINUED ON NEXT PAGE ➡

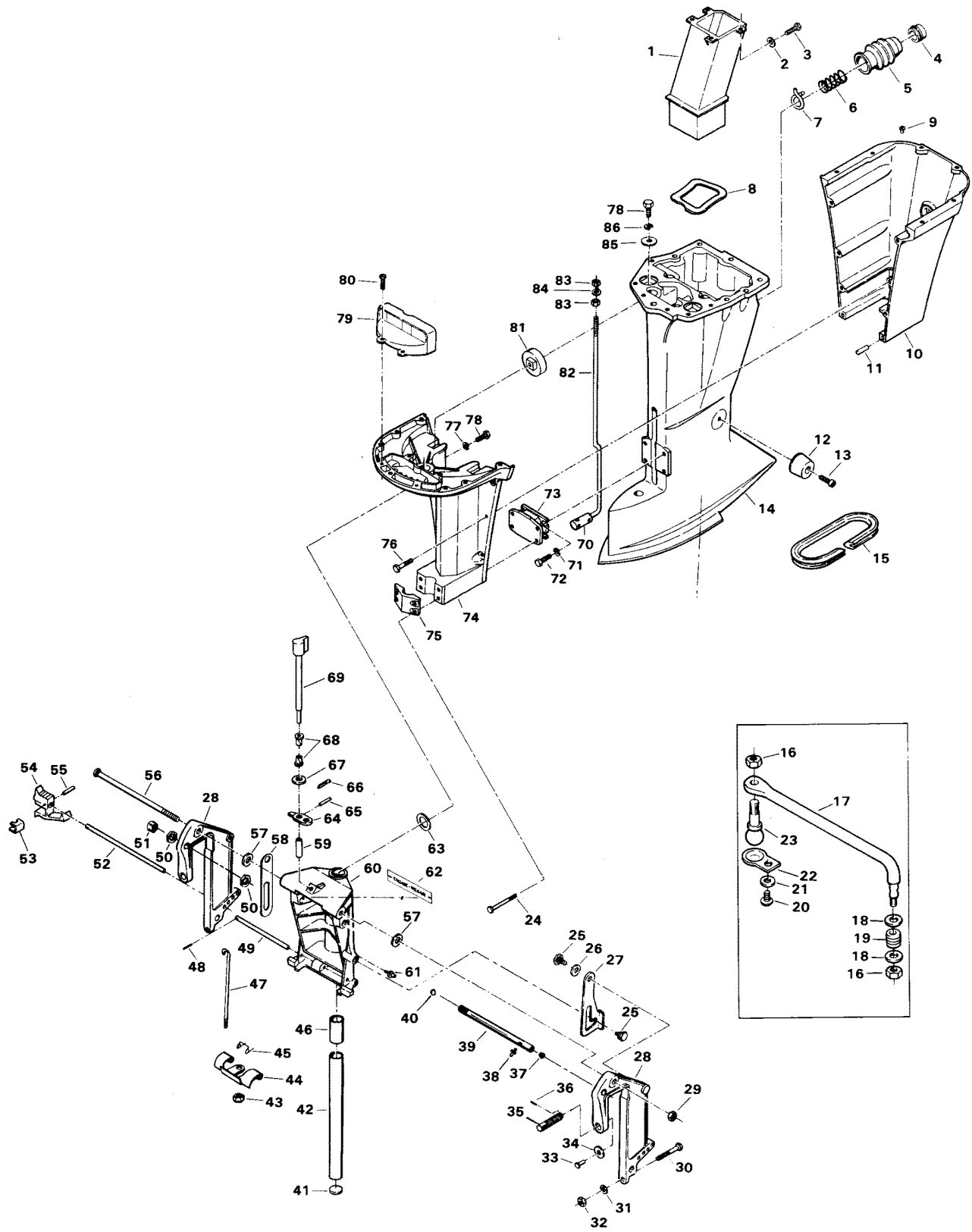
MOTOR LEG 758H2D, 758B2D MODELS



MOTOR LEG 758H2D, 758B2D MODELS

REF. NO.	PART NO.	SYM.	QTY.	DESCRIPTION
43	F316599		1	SEAL, STEERING SUPPORT TUBE
44	F523274		1	GREASE FITTING
45	F9052		1	PLUG
46	F1696		4	HEX BOLT, 5/16 - 18 X 1-3/4
47	F84011		1	WASHER
48	F85606		1	KINGPIN CAP
49	FA85135-4		1	LEG COVER, FRONT W/ILLUS. 57
50	F2030		6	HEX HD SCREW, 1/4 - 20 X 1 1/4
51	F85779-1		1	BAFFLE, AIR INTAKE
52	F1703		2	SPRING LOCKWASHER
53	F1871		4	HEX HD SCREW, 3/8 - 16 X 3/4
54	F438346		1	SHOCK MOUNT, LOWER
55	F1822		4	HEX BOLT, 5/16 - 18 X 7/8
56	F8096		4	SPRING LOCKWASHER
57	F85704		1	COUPLER, GEARSHIFT ROD - UPPER
58	F85615		1	GEAR SHIFT ROD - UPPER
59	F85965		2	SHOCK MOUNT, UPPER
60	F2108		2	LOCK NUT, 5/16 - 18
61	F1987		1	PLAIN WASHER
62	FA85355-1		2	WASHER SHOCK MOUNT UPPER W/ILLUS. 63
63	F2014		2	PLAIN WASHER
64	F511125-2		1	TUBE, STEERING SUPPORT

MOTOR LEG 756H2H, 756B2H MODELS

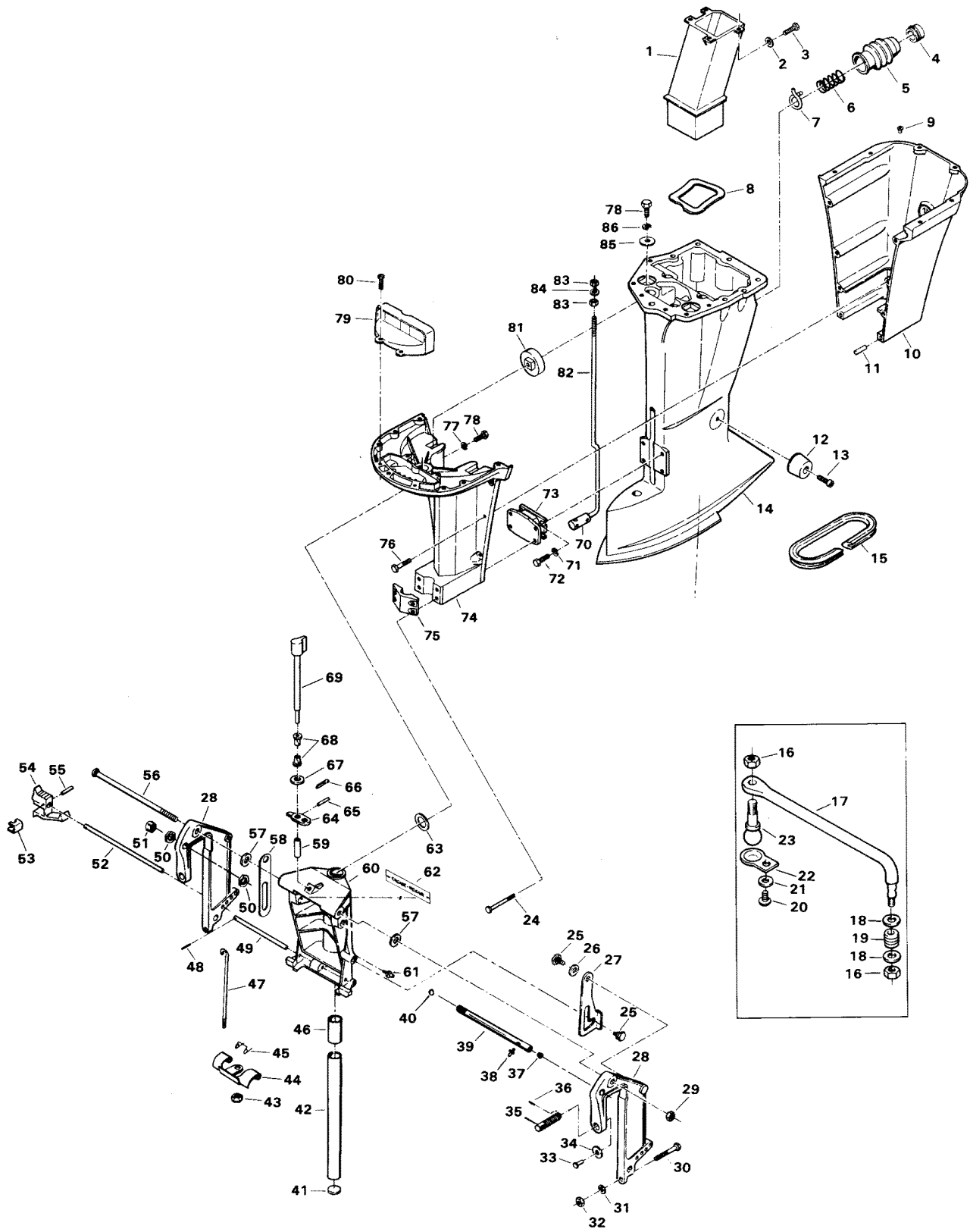


MOTOR LEG 756H2H, 756B2H MODELS

REF. NO.	PART NO.	SYM.	QTY.	DESCRIPTION
1	F85660-1		1	EXHAUST TUBE
2	F8083		4	SPRING LOCKWASHER
3	F1705		4	HEX SLOT HD SCREW, 1/4 - 20 X 3/4
4	F85258		1	INSERT
5	F85130		1	BOOT, IDLE EXHAUST
6	F85380		1	SPRING
7	F85772		1	CLAMP
8	F439736		1	SEAL EXHAUST TUBE
9	F1729		2	PLUG
10	817931A7		1	MOTOR LEG COVER, REAR W/ILLUS. 9 AND 15 ORIGINAL FORCE P/N A 178145-3
11	F1664		2	SPRING PIN
12	F438962		2	SHOCK MOUNT SLIDE
13	F1263		2	HEX SOCKET HD CAP SCREW, 5/16 - 18 X 9/16
14	F523133-2		1	MOTOR LEG
15	F178323		1	SEAL, MOTOR LEG
16	F2093		2	STOP NUT, 3/8 - 24
17	F523881-2		1	STEERING LINK
18	F8038		2	PLAIN WASHER
19	F523300-1		1	SPRING STEERING LINK
20	F1280		1	PAN HD SCREW
21	F8080		1	HELICAL SPRING LOCKWASHER
22	F523930		1	RETAINER
23	F523273		1	STEERING BALL STUD
24	F1696		4	HEX BOLT, 5/16 - 18 X 1-3/4
25	F85350-1		4	TILT STOP PIVOT
26	F1666		2	BOWED SPRING WASHER
27	F85541-1		1	TILT LOCK
28	1400-817958A6		2	STERN BRACKET
29	F7012		1	LOCK NUT, 1/2 - 20
30	F1593		2	HEX HD SCREW, 3/8 - 16 X 3
31	F1904		2	PLAIN WASHER
32	F1346		2	HEX NUT, 3/8 - 16
33	F353480		2	STUD
34	F84074		2	CLAMP SCREW FOOT
35	F474073-1		2	CLAMP SCREW
36	F8538		2	SPRING PIN
37	F9052		1	PLUG
38	F523274		1	GREASE FITTING
39	F511125-2		1	TUBE, STEERING SUPPORT
40	F316599		1	SEAL, STEERING SUPPORT TUBE
41	F1528		1	WELCH PLUG
42	FA85019		1	KINGPIN W/ILLUS. 41

CONTINUED ON NEXT PAGE ➡

MOTOR LEG 756H2H, 756B2H MODELS

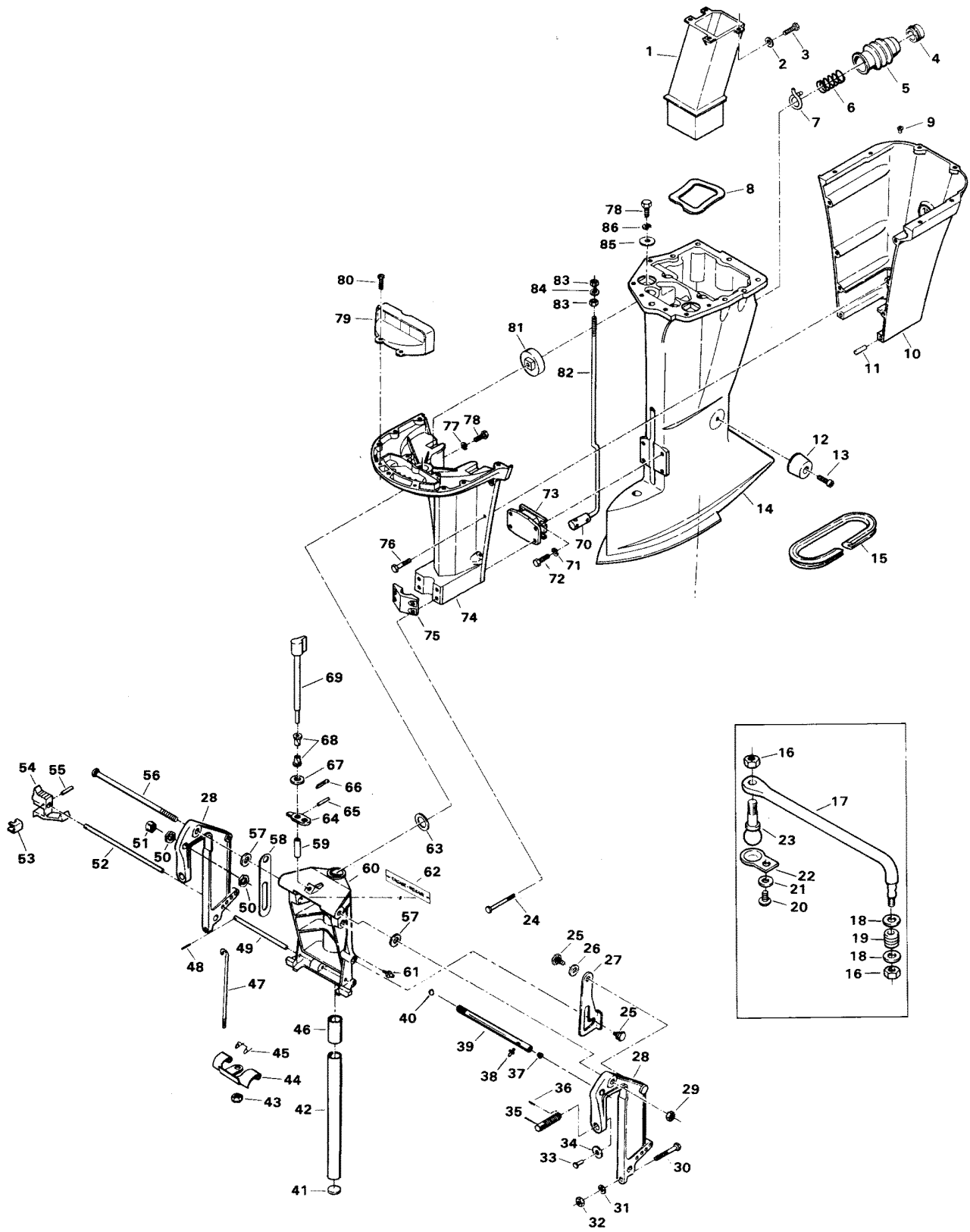


MOTOR LEG 756H2H, 756B2H MODELS

REF. NO.	PART NO.	SYM.	QTY.	DESCRIPTION
43	F1669		1	LOCK NUT
44	F369349		1	REVERSE LOCK
45	F85300		1	REVERSE LOCK SPRING
46	F438169		2	BEARING
47	F369510		1	LINK
48	F1744		1	SPRING PIN
49	F177350		1	REVERSE LOCK PIN
50	F523280		2	NUT, STEERING SUPPORT TUBE
51	F9018		1	CAP
52	FA438113		1	STERN BRACKET LOCK BAR W/ILLUS. 53, 54 AND 55
53	F286461		1	SPRING LOCK BAR HANDLE
54	F433114		1	HANDLE, LOCK BAR
55	F1744		1	SPRING PIN
56	F85037-1		1	STERN BRACKET PIVOT BOLT
57	F84286-1		4	FRICTION WASHER
58	F85426		1	TILT STOP
59	F483884		1	BEARING
60	817783A5		1	SWIVEL BRACKET W/ILLUS. 46 AND 61 ORIGINAL FORCE P/N A 369072-2
61	F213274		3	GREASE FITTING
62	F529390-1		1	DECAL, REVERSE LOCK
63	F84011		1	WASHER
64	F369364		1	REVERSE LOCK ARM
65	F1836		1	SPRING PIN
66	F1014		1	COTTER PIN
67	F8094		1	PLAIN WASHER
68	F197813		2	BEARING
69	F369827		1	HANDLE AND SHAFT
70	F85704		1	COUPLER, GEARSHIFT ROD, UPPER
71	F8096		4	SPRING LOCKWASHER
72	F1822		4	HEX BOLT, 5/16 - 18 X 7/8
73	F438346		1	SHOCK MOUNT, LOWER
74	FA85135-4		1	LEG COVER, FRONT
75	F85606		1	KINGPIN CAP
76	F2030		6	HEX HD SCREW, 1/4 - 20 X 1-1/4
77	F1703		2	SPRING LOCKWASHER
78	F1871		4	HEX HD SCREW, 3/8 - 16 X 3/4
79	F85779-1		1	BAFFLE, AIR INTAKE
80	F1912		4	HEX HD SCREW, 10 - 24 X 1/2
81	F85965		2	SHOCK MOUNT, UPPER
82	F85615		1	GEAR SHIFT ROD, UPPER
83	F2108		2	LOCK NUT, 5/16 - 18
84	F1987		1	PLAIN WASHER

CONTINUED ON NEXT PAGE ➡

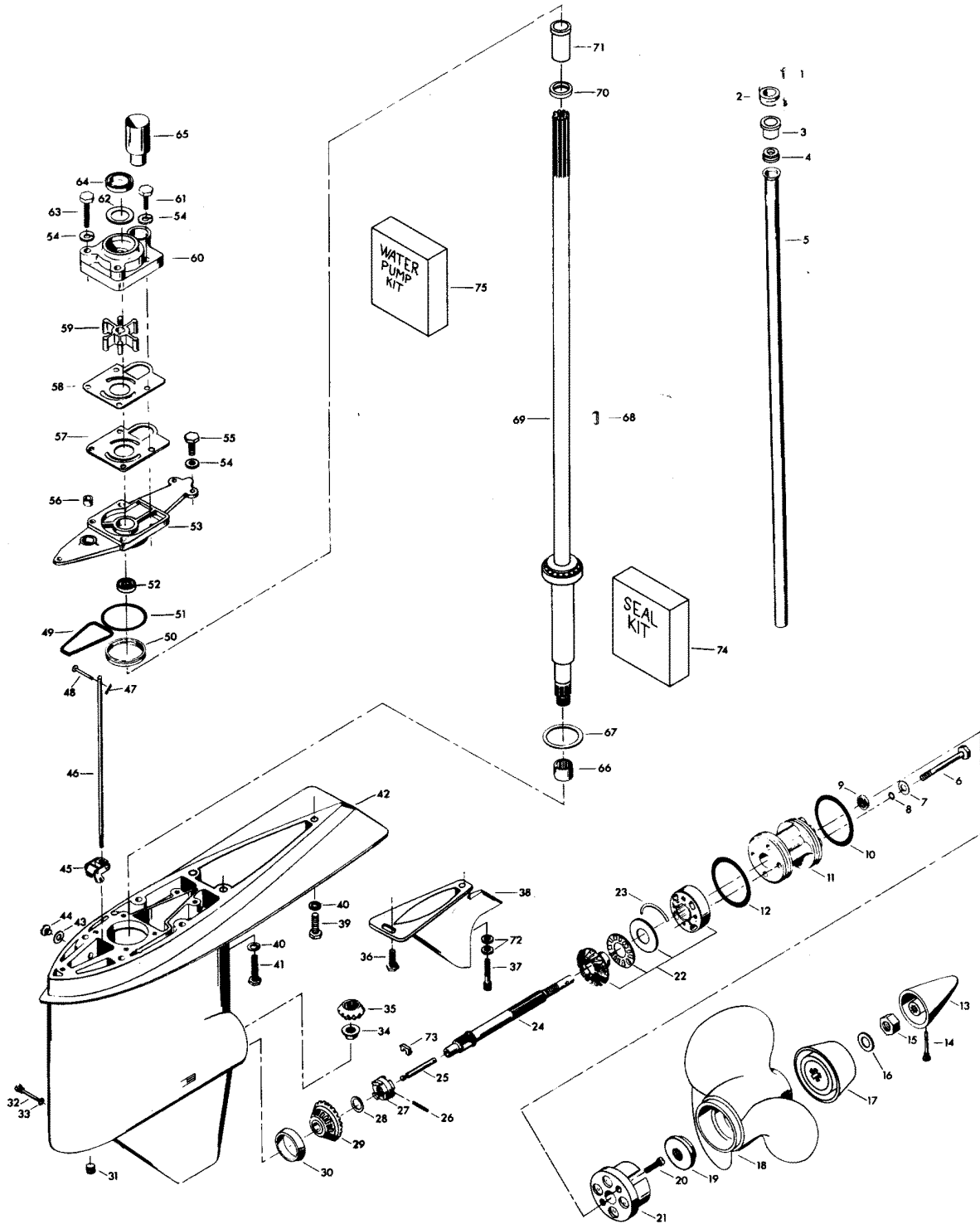
MOTOR LEG 756H2H, 756B2H MODELS



MOTOR LEG 756H2H, 756B2H MODELS

REF. NO.	PART NO.	SYM.	QTY.	DESCRIPTION
85	FA85355-1		2	WASHER SHOCK MOUNT UPPER W/WASHER
86	F2014		2	PLAIN WASHER

GEAR HOUSING

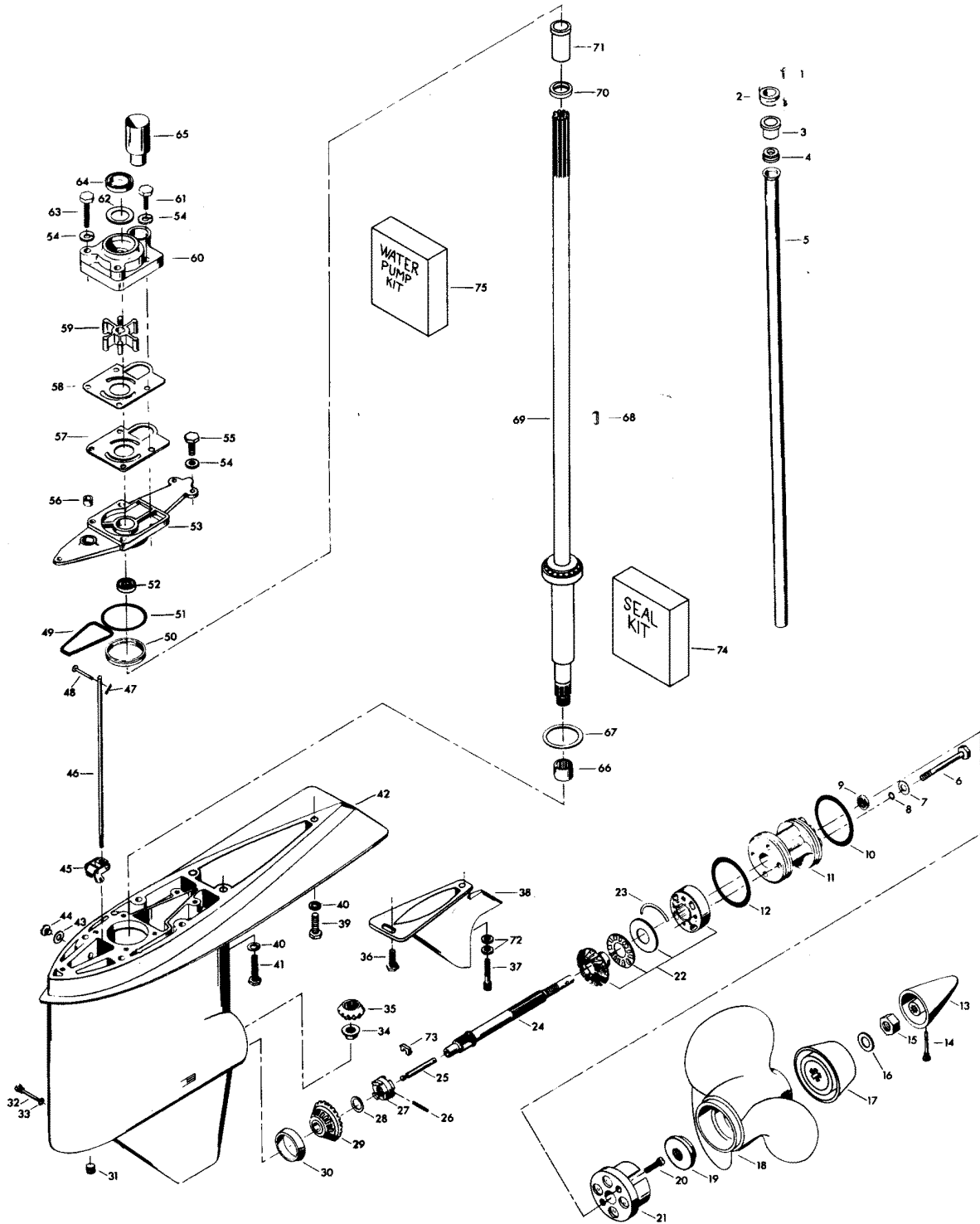


GEAR HOUSING

REF. NO.	PART NO.	SYM.	QTY.	DESCRIPTION
1	F1705		2	HEX CAP SCREW, 1/4 - 20 X 3/4
2	F85117		1	BRACKET, WATER LINE
3	F84342		1	SEAL, INLET WATER LINE UPPER
4	F523899		1	GROMMET, WATER LINE
5	F523244		1	INLET WATER LINE
6	F1885		4	HEX CAP SCREW, 5/16 - 18 X 4-1/4
7	F1907		4	PLAIN WASHER
8	F50342-1		4	SEAL, BEARING CAGE BOLTS
9	F506118		1	SEAL, PROPELLER SHAFT
10	F24278		1	SEAL, O-RING PROPELLER SHAFT SPOOL
11	F2A523239		1	SPOOL, PROPELLER SHAFT BEARING W/BEARING AND ILLUS. 9
12	F84305		1	SEAL, PROPELLER SHAFT BEARING SPOOL
13	F523094-2		1	PROPELLER NUT
14	F498891		1	PIN, PROPELLER NUT RETAINING
15	F1788		1	STOP NUT
16	F1866		1	PLAIN WASHER
17	F532299		1	WASHER, PROPELLER SPLINE
18	FPS523		1	PROPELLER (ACCESSORY ITEM)
19	F523099-1		1	SPACER, PROPELLER
20	F1577		2	FILL HD SCREW, 1/4 - 20 X 3/4
21	FA523485		1	ANTI-CORROSION ANODE W/LITERATURE
22	F2A498662		1	BEVEL GEAR, REAR W/BEARING CAGE, SPACER AND BEARING
23	F523411		2	RETAINING RING
24	FA523098		1	PROPELLER SHAFT ASSEMBLY
25	F84871-1		1	PIN, GEAR SHIFT
26	F1713		1	SPRING PIN
27	F84521-1		1	CLUTCH
28	F1936		A/R	SPACER, BEVEL GEAR FRONT .059
-	F1937		A/R	SPACER, BEVEL GEAR FRONT .062
-	F1938		A/R	SPACER, BEVEL GEAR FRONT .065
-	F1939		A/R	SPACER, BEVEL GEAR FRONT .068
-	F1940		A/R	SPACER, BEVEL GEAR FRONT .071
-	F1941		A/R	SPACER, BEVEL GEAR FRONT .074
-	F1942		A/R	SPACER, BEVEL GEAR FRONT .077
-	F2113		A/R	SPACER, BEVEL GEAR FRONT .080
-	F2114		A/R	SPACER, BEVEL GEAR FRONT .083
-	F2115		A/R	SPACER, BEVEL GEAR FRONT .086
-	F2116		A/R	SPACER, BEVEL GEAR FRONT .089
-	F2121		A/R	SPACER, BEVEL GEAR FRONT .057
-	F2122		A/R	SPACER, BEVEL GEAR FRONT .054
29	F2A498023		1	BEVEL GEAR FRONT W/SHIMS AND ILLUS. 30
30	F523813		1	BEARING CUP

CONTINUED ON NEXT PAGE ➡

GEAR HOUSING

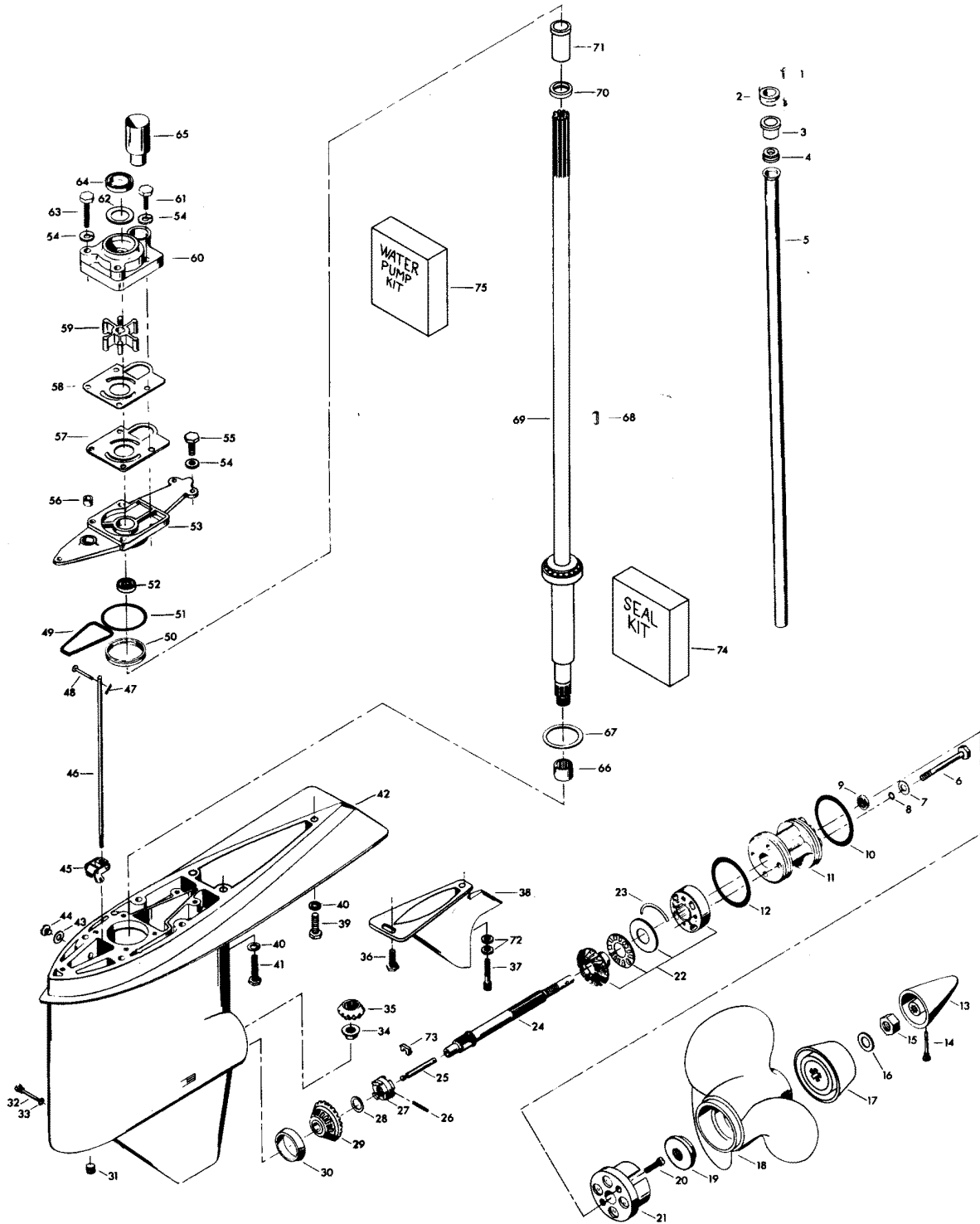


GEAR HOUSING

REF. NO.	PART NO.	SYM.	QTY.	DESCRIPTION
31	F19109		1	PLUG, GEAR HOUSING
32	F498891		1	PIN, GEAR SHIFT ARM
33	F498618		1	SEAL
34	F523188		1	NUT, BEVEL PINION RETAINING
35	FA498266		1	BEVEL PINION GEAR W/SHIMS AND ILLUS. 50
36	F438930		1	RETAINER, SNOUT
37	F1994		1	HEX SOCKET HD CAP SCREW, 5/16 - 18 X 1
38	F523116		1	EXHAUST SNOUT
39	F1858		1	HEX CAP SCREW, 5/16 - 18 X 1
40	F8096		7	SPRING LOCKWASHER
41	F1491		6	HEX CAP SCREW, 5/16 - 18 X 3-1/4
42	FA523054		1	GEAR HOUSING W/DRIVESHAFT BEARING LOWER, ILLUS. 30, 31, 43 AND 44
-	FC550054		1	GEAR HOUSING COMPLETE INCLUDES ALL ITEMS MARKED WITH AN ASTERISK (*).
43	F8077		2	WASHER, GEAR HOUSING PLUG
44	F50109		2	PLUG, GEAR HOUSING
45	FA84621-1		1	COUPLING, GEAR SHIFT ARM W/BUSHING
46	F523705		1	GEAR SHIFT ROD LOWER
47	F1015		1	COTTER PIN
48	F85372		1	PIN, GEAR SHIFT ROD LOWER
49	F523555		1	SEAL, O-RING - GEAR HOUSING COVER
50	F523961		1	CRUSH RING
51	F74305		1	SEAL, DRIVESHAFT BEARING CAGE
52	F506118		1	SEAL, DRIVESHAFT
53	F2A550706		1	GEAR HOUSING COVER W/ILLUS. 52 AND 56
54	F8083		7	SPRING LOCKWASHER
55	F2008		3	HEX CAP SCREW, 1/4 - 20 X 7/8
56	F338618-1		1	SEAL, GEAR SHIFT ROD
57	F523031		1	GASKET, WATER PUMP
58	F523562		1	WATER PUMP BACK PLATE
59	F523065-1		1	WATER PUMP IMPELLER
60	46-817853A1		1	WATER PUMP BODY W/ILLUS. 62, 64 AND 65 ORIGINAL FORCE P/N A 523060-1
61	F1990		2	HEX CAP SCREW, 1/4 - 20 X 1-5/8
62	F480388		1	DISC, WATER PUMP LOCATING
63	F1425		2	HEX CAP SCREW, 1/4 - 20 X 2-5/8
64	F351307		1	SEAL, WATER PUMP
65	FA523735		1	SEAL, INLET WATER LINE LOWER W/LITERATURE
66	F523057		1	BEARING, DRIVESHAFT LOWER
67	F9106		A/R	SHIM, DRIVESHAFT BEARING UPPER .003 - BRASS
-	F9095		A/R	SHIM, DRIVESHAFT BEARING UPPER .005 - SILVER
-	F9097		A/R	SHIM, DRIVESHAFT BEARING UPPER .010 - BLACK
68	F523498		1	DRIVE KEY, WATER PUMP

CONTINUED ON NEXT PAGE ➡

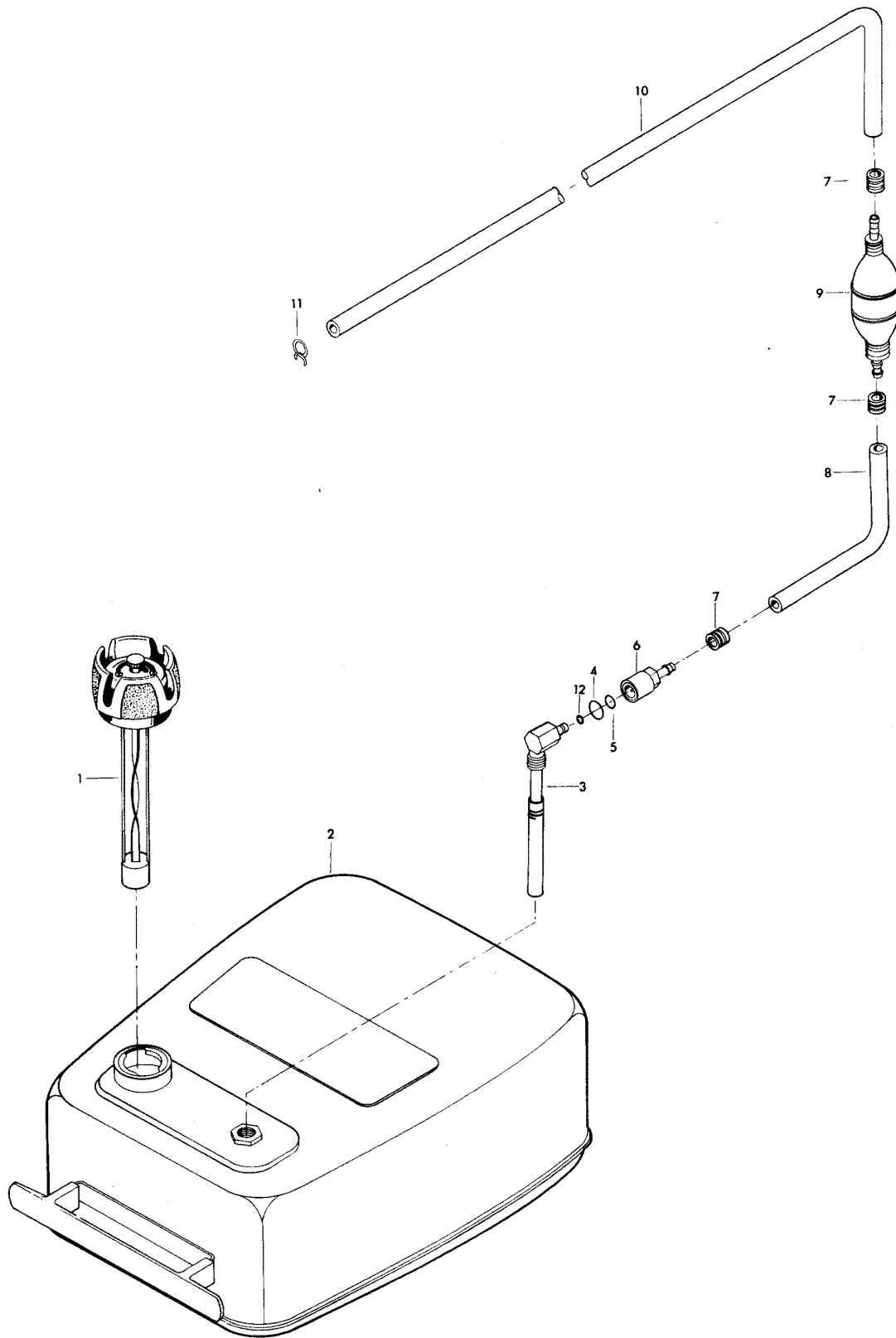
GEAR HOUSING



GEAR HOUSING

REF. NO.	PART NO.	SYM.	QTY.	DESCRIPTION
69	FK550128		1	DRIVESHAFT W/BEARING AND ILLUS. 50 AND 67
70	F438271		1	RETAINER, CRANKSHAFT SPLINE SEAL
71	F438129		1	SEAL, DRIVESHAFT SPLINE
72	F1836		2	PLAIN WASHER
73	F90619-1		1	YOKE
74	FK1063-1		1	SEAL KIT
-	F50342-1		4	BEARING CAGE BOLT SEAL
-	F506118		2	PROPELLER SHAFT SEAL
-	F24278		1	PROPELLER SHAFT SPOOL SEAL
-	F84305		1	PROPELLER SHAFT SPOOL SEAL
-	F498618		1	GEAR SHIFT ARM PIN SEAL
-	F8077		2	WASHER
-	F523555		1	GEAR HOUSING COVER SEAL
-	F74305		1	GEAR HOUSING COVER SEAL
-	F84307-1		1	DRIVESHAFT SEAL
-	F338618-1		1	GEAR SHIFT ROD SEAL
75	FK1069		1	WATER PUMP KIT
-	F1425		2	HEX CAP SCREW, 1/4 - 20 X 5/8
-	F1990		2	HEX CAP SCREW
-	F8083		4	SPRING LOCKWASHER
-	F523031		1	GASKET, WATER PUMP
-	F523065-1		1	IMPELLER
-	F523498		1	KEY
-	F523562		1	PLATE, WATER PUMP
-	46-817853A1		1	WATER PUMP

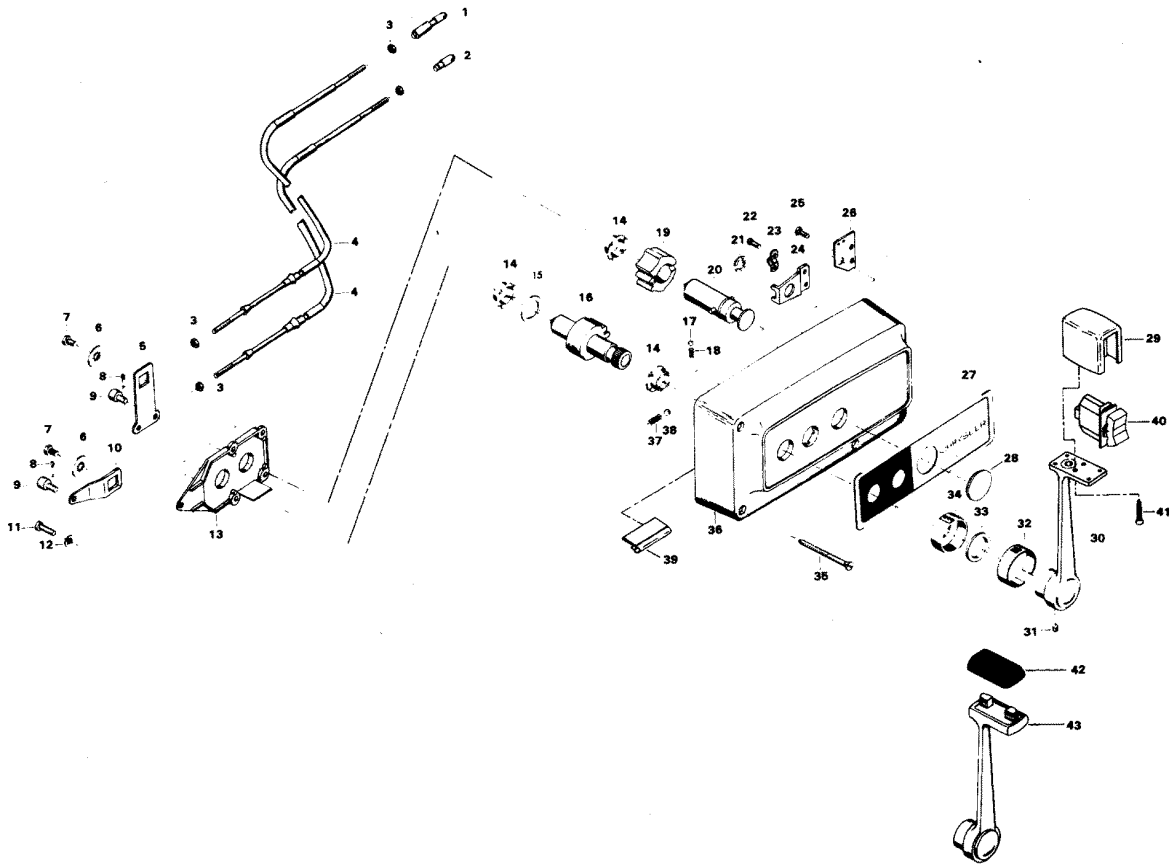
FUEL TANK AND LINE



FUEL TANK AND LINE

REF. NO.	PART NO.	SYM.	QTY.	DESCRIPTION
1	F409251-1		1	GAUGE CAP
2	F5H026		1	FUEL TANK (ACCESSORY ITEM)
3	F485755-1		1	FUEL TANK ADAPTER
4	F213342		1	SEAL, FUEL LINE COUPLER (LARGE)
5	F213735		1	SEAL, FUEL LINE COUPLER (SMALL)
6	F197787-3		1	FUEL LINE COUPLER
7	F298788		3	FERRULE
8	FA84754-1		1	FUEL LINE SHORT W/ILLUS. 7
9	89396A38		1	PRIME BULB W/LITERATURE ORIGINAL FORCE P/N S 387766-1
10	32-817738A1		1	FUEL LINE LONG W/ILLUS. 7 AND 11 ORIGINAL FORCE P/N A 197752-1
11	F97772		1	FUEL LINE CLAMP
12	F17932		1	SEAL, FUEL TANK ADAPTER
-	FS409752		1	FUEL LINE COMPLETE. INCLUDES ALL ITEMS MARKED WITH AN ASTERISK (*)
-	FC409398		1	DECAL, TOTE TANK - CANADA (NOT SHOWN)

REMOTE CONTROL

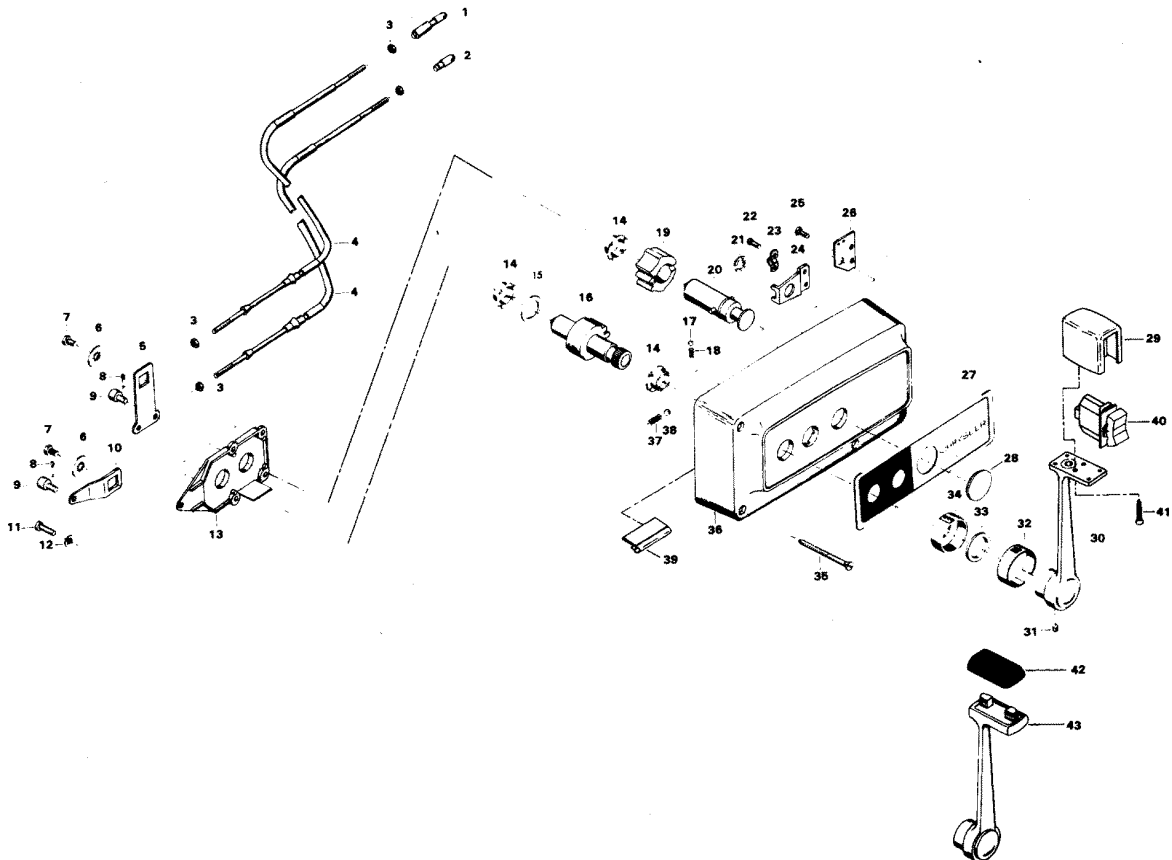


REMOTE CONTROL

REF. NO.	PART NO.	SYM.	QTY.	DESCRIPTION
1	FA58976-1		1	CONNECTOR, THROTTLE CABLE
2	F58685-2		1	CONNECTOR, SHIFT CABLE
3	F1513		4	HEX NUT
4	F195/___		1	REMOTE CONTROL CABLE (SPECIFY LENGTH) ACCESSORY ITEM (2 PER SET)
5	F17019		1	CLUTCH ARM
6	F17036		2	INTERNAL TOOTH LOCKWASHER
7	F1715		2	HEX BOLT, 1/4 - 28 X 9/16
8	F17149		2	COTTER PIN
9	F17016		2	CABLE TERMINAL
10	F17014		1	THROTTLE ARM
11	F17013		2	FILL HD SCREW, 1/4 - 20 X 1/2
12	F17147		2	INTERNAL TOOTH LOCKWASHER
13	F17012		1	RETAINING PLATE
14	F17009		3	BEARING
15	F17011		1	BOWED WASHER
16	F17010-1		1	THROTTLE GEAR
17	F17111		1	DETENT BALL
18	F17006		1	DETENT SPRING
19	F17021		1	CLUTCH GEAR
20	F17100		1	CLUTCH SHAFT
21	F17092		1	SNAP RING
22	F17071		2	FILL HD SCREW, 10 - 24 X 5/16
23	F154317		1	CABLE CLAMP
24	F17026		1	SWIVEL
25	F1557		2	FLAT HD SCREW, 10 - 24 X 3/8
26	F17112		1	JUNCTION BOARD, STARBOARD
-	F17113		1	JUNCTION BOARD, PORT
27	F17148		1	DECAL, STARBOARD
-	F531892		1	DECAL, PORT
28	F17031-1		1	SNAP CAP
29	F448543		1	KNOB (758H2D, 758B2D)
30	F448611-1		1	HANDLE (758H2D, 758B2D)
31	F17030-1		1	SET SCREW
32	F449894		1	INDICATOR (758H2D, 758B2D)
-	FK17114-1		1	INDICATOR (756H2H, 756B2H)
33	F17105		1	FELT WASHER
34	F17106		1	COLLAR
35	F17146		3	WOOD SCREW
36	F17099		1	HOUSING
37	F17068		1	DETENT SPRING
38	F17082-1		1	DETENT BALL
-	F1280		2	PAN HD SCREW, 8 - 32 X 1/4 (TERMINAL BOARD) (NOT SHOWN)

CONTINUED ON NEXT PAGE ➡

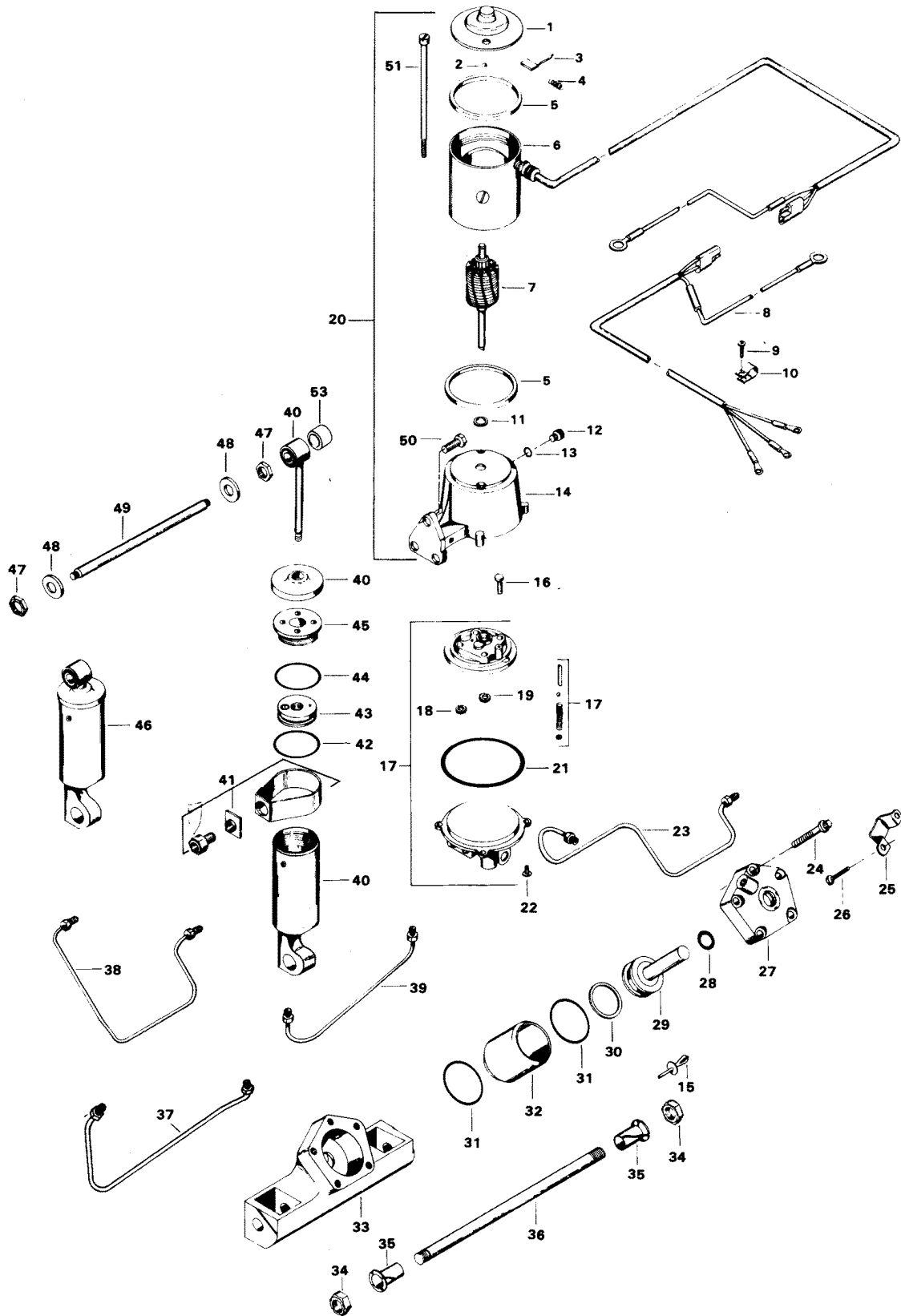
REMOTE CONTROL



REMOTE CONTROL

REF. NO.	PART NO.	SYM.	QTY.	DESCRIPTION
-	OB3062		1	LITERATURE (NOT SHOWN) (5H130 REMOTE CONTROL)
-	F17103		1	BAG ASSEMBLY (NOT SHOWN) INCLUDES ITEMS MARKED WITH AN ASTERISK (*)
39	F448446		1	CLAMP, CABLE TRIM SWITCH (758H2D, 758B2D)
40	F455449		1	SWITCH (758H2H, 758B2H)
41	F1461		2	TAPPING SCREW, #6 X 7/8 (758H2D, 758B2D)
42	F17116		1	KNOB (756H2H, 756B2H)
43	F17115-1		1	HAND LEVER (756H2H, 756B2H)

POWER TRIM UNIT 758H2D, 758B2D MODELS

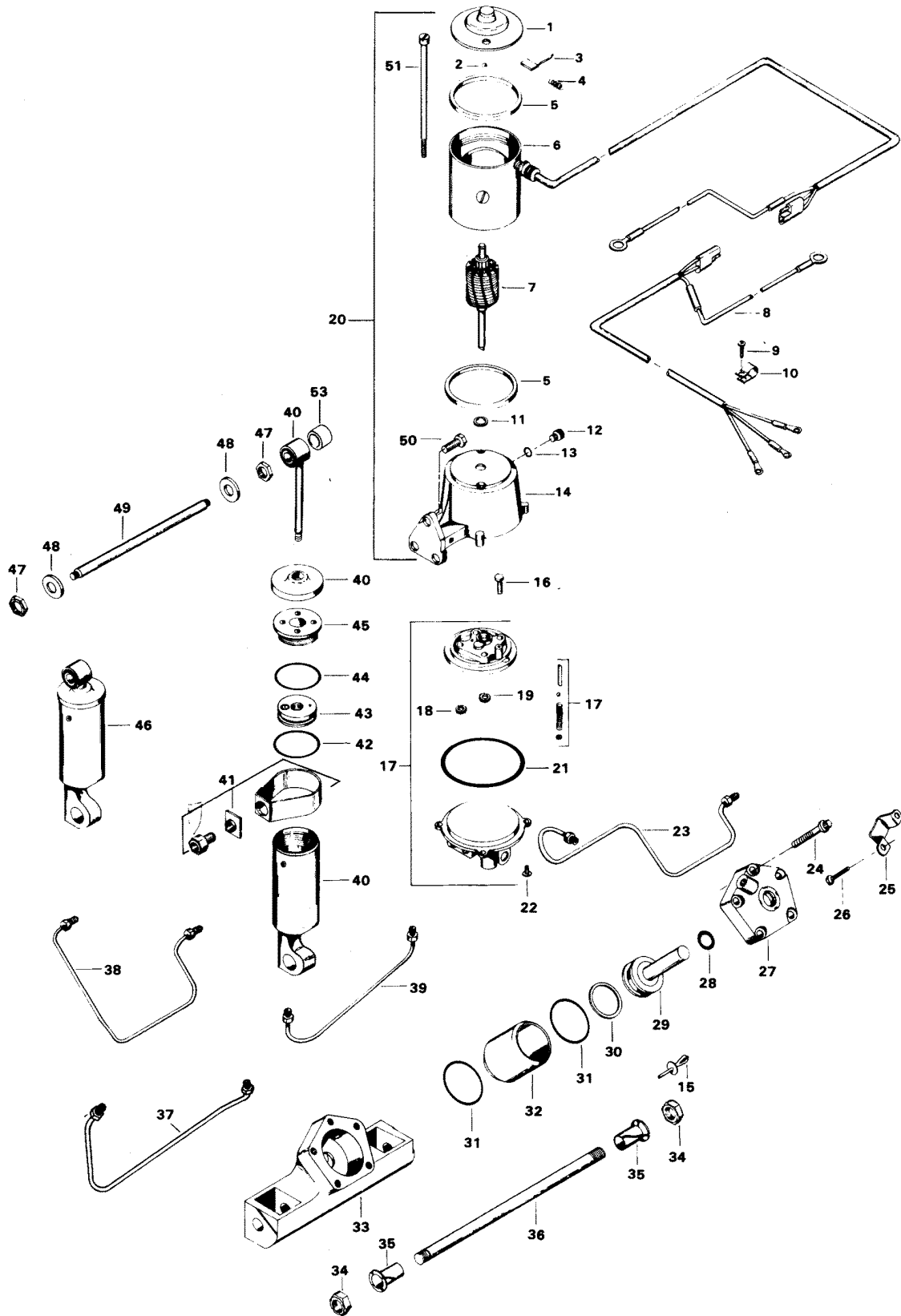


POWER TRIM UNIT 758H2D, 758B2D MODELS

REF. NO.	PART NO.	SYM.	QTY.	DESCRIPTION
1	F17543		1	HEAD ASSEMBLY, COMMUTATOR END
2	F17539		1	BALL
3	F17504		1	BRUSH SET
4	F17500		1	SPRING SET
5	F17557		2	GASKET
6	F17556		1	FIELD AND FRAME ASSEMBLY
7	F17555		1	ARMATURE
8	F500843		1	CABLE
9	F1741		2	THREAD FORMING SCREW, 8 X 3/4
10	F178446		2	CLAMP
11	F17508		A/R	THRUST WASHER
12	F17518		1	FILTER CAP
13	F17510		1	O-RING
14	F17505		1	RESERVOIR AND BRACKET W/SEAL
15	F1966		1	PLUG, SWIVEL BRACKET
16	F1203		1	HEX CAP SCREW, 1/4 - 20 X 7/8
17	F17564		1	VALVE BODY AND PUMP W/ILLUS. 16, 18, 19 AND 21
18	F17566		1	IDLE GEAR
19	F17565		1	DRIVE GEAR
20	F17563		1	MOTOR AND RESERVOIR
21	F17522		1	O-RING
22	F1310		4	ROUND HD SCREW, 10 - 24 X 5/8
23	F449254		1	HYDRAULIC LINE, TRIM CYLINDER, UPPER
24	F1959		5	FERRY HD CAP SCREW, 1/4 - 20 X 1 3/4, STAINLESS STEEL
25	F449354		1	THRUST BRACKET
26	F1734		2	FILL HD MOUNTING SCREW AND LOCKWASHER, 1/4 - 20 X 1/2
27	FA449149		1	COVER W/SEALS RETAINER AND ILLUS. 28
28	F449342		1	SEAL, PISTON SHAFT
29	FA449015		1	PISTON
30	F449278		1	PISTON SEAL
31	F40278		2	SEAL, CYLINDER
32	F449010		1	CYLINDER
33	F449545-2		1	CYLINDER HOUSING
34	F1963		2	ELASTIC STOP NUT, 5/8 - 18
35	F178362		2	BEARING
36	F449632		1	SHAFT
37	F449253-1		1	HYDRAULIC LINE, TRIM CYLINDER, LOWER
38	F449758		1	HYDRAULIC LINE, LIFT CYLINDER, UPPER
39	F449754-1		1	HYDRAULIC LINE, LIFT CYLINDER, LOWER
40	FA17559		1	LIFT CYLINDER COMPLETE W/ILLUS. 53
41	F17577		1	ADAPTER FITTING PACKAGE
42	FA17561-1		1	O-RING

CONTINUED ON NEXT PAGE ➡

POWER TRIM UNIT 758H2D, 758B2D MODELS



POWER TRIM UNIT 758H2D, 758B2D MODELS

REF. NO.	PART NO.	SYM.	QTY.	DESCRIPTION
43	F17562-1		1	PISTON ASSEMBLY
44	F17528		1	O-RING
45	F17560		1	HEAD ASSEMBLY
46	FA178962		1	SHOCK ABSORBER WILLUS. 53
47	F1931		2	STOP NUT, 1/2 - 20, STAINLESS STEEL
48	F1960		2	PLAIN WASHER
49	F449889		1	SHAFT, UPPER
50	F1822		3	HEX CAP SCREW, 5/16 - 18 X 7/8, STAINLESS STEEL
51	F17558		1	THRU-BOLT PACKAGE
52	F1877		2	TY-RAP (NOT SHOWN)
53	F178344		2	BUSHING

SPECIAL TOOLS - TUNE-UP

REF. NO.	PART NO.	SYM.	QTY.	DESCRIPTION
-	FTA2937-1		0	TIMING TOOL TO ADJUST TIMING POINTER.
-	FT8978		0	TIMING LIGHT FOR ADJUSTING IGNITION TIMING.
-	FT8948-1		0	PULLER TO REMOVE FLYWHEEL.

SPECIAL TOOLS - POWER HEAD

REF. NO.	PART NO.	SYM.	QTY.	DESCRIPTION
-	FT2998		0	TORQUE WRENCH (0 - 100 LBS./FT.) TO TORQUE FLYWHEEL NUT.
-	FT2999		0	TORQUE WRENCH (0 - 600 LBS./FT.) TO TORQUE ALL FASTENERS.
-	FT2991		0	CARBON BRUSH TO REMOVE CARBON DEPOSITS FROM POWER HEAD.
-	FT8914		0	SEAL REMOVER TO REMOVE UPPER CRANKSHAFT BEARING CAGE SEAL.
-	FT8903		0	SEAL INSTALLER TO INSTALL UPPER CRANKSHAFT BEARING CAGE SEAL.
-	FT8907		0	DRIVER HANDLE USED WITH T 8903.
-	FT8925		0	SEAL INSTALLER TO INSTALL LOWER CRANKSHAFT SEAL.
-	FT2953		0	SOCKET TO TORQUE CONNECTING ROD SCREWS.
-	FT2990		0	PISTON PIN TOOL TO REMOVE AND INSTALL PISTON PINS.
-	FT2996		0	RING COMPRESSOR TO INSTALL PISTONS IN CYLINDER.
-	FT8926		0	RING EXPANDER TO INSTALL PISTON RINGS.
-	FT1082		0	SNAP RING PLIER TO REMOVE AND INSTALL DISTRIBUTOR RETAINING RING.
-	FT8933		0	LIFTING HOOK TO LIFT ENGINE.
-	FT8900		0	HOSE CLAMP PLIERS TO REMOVE FUEL LINE CLAMP.

SPECIAL TOOLS - GEAR HOUSING

REF. NO.	PART NO.	SYM.	QTY.	DESCRIPTION
-	FT8948-1		0	PULLER TO REMOVE PROPELLER SHAFT SPOOL FROM GEAR HOUSING.
-	FT11209		0	BEARING GUIDE SET TO REMOVE/INSTALL FORWARD BEARING CUP.
-	FT8918		0	BEARING GUIDE SET TO BE USED WITH T 11209 BEARING GUIDE SET.
-	FT11207		0	BEARING CUP REMOVER TO REMOVE FORWARD BEARING CUP IN GEAR HOUSING.
-	FT11205		0	BEARING INSTALLER/REMOVER TO REMOVE AND INSTALL LOWER DRIVESHAFT BEARING.
-	FT11204		0	BEARING CUP INSTALLER TO INSTALL FORWARD BEARING CUP IN GEAR HOUSING.
-	FT8930-1		0	FEELER GAUGE SET TO USE IN SHIMMING LOWER UNIT.
-	FT8957		0	SEAL INSTALLER TO INSTALL SHIFT ROD SEAL.
-	FT8985		0	SEAL INSTALLER TO INSTALL PROPELLER SHAFT SEAL IN SPOOL.
-	FT8925		0	SEAL INSTALLER TO INSTALL DRIVESHAFT SEAL IN GEAR HOUSING COVER.
-	FT3012		0	SEAL INSTALLER TO INSTALL DRIVESHAFT SEAL IN WATER PUMP.
-	FTA8997		0	SHIM TOOL TO SHIM LOWER UNIT.
-	FT8901		0	INDICATOR HOLDER USED IN CONJUNCTION WITH T 8997.
-	FT8902		0	DIAL INDICATOR USED IN CONJUNCTION WITH T 8997.
-	FT8907		0	DRIVER HANDLE USED WITH T 11204, T 11205, T 11209.
-	FT8919		0	SPRING PIN PUNCH TO REMOVE CLUTCH SPRING PIN.
-	FT7848		0	TORQUE ADAPTER TO HOLD DRIVESHAFT SPLINE WHILE TORQUING.

SPECIAL TOOLS - TEST EQUIPMENT

REF. NO.	PART NO.	SYM.	QTY.	DESCRIPTION
-	FT2951		0	CIRCUIT TRACER TO TROUBLESHOOT ELECTRICAL SYSTEM.
-	FTK8999		0	TEST WHEEL TO TEST MOTOR IN TEST TANK. ORIGINAL FORCE P/N TA 8999
-	FT8950		0	LEAKAGE TESTER TO TEST LOWER UNIT SEALS FOR LEAKAGE.
-	FT8953		0	IGNITION TESTER TO TEST OUTPUT OF C-D UNIT.
-	FT2938-1		0	CONTINUITY TESTER TO TEST CIRCUITS FOR CONTINUITY.

SPECIAL TOOLS - LUBRICANTS AND SEALANTS

REF. NO.	PART NO.	SYM.	QTY.	DESCRIPTION
-	FT2961		0	LUBRICANT - RYKON GREASE #2EP
-	FT2987-1		0	LUBRICANT - ANTI-SEIZE
-	FT8969		0	LUBRICANT - 7 OZ. L PSI LUBRICANT
-	FT8955		0	SEALANT - 5 OZ. EC-750 INDUSTRIAL SEALANT
-	FT8983		0	SEALANT - 3 OZ. RTV SEALANT FROM IN PLACE OF GASKETS
-	FT8936-1		0	SEALANT - 2 CC LOCTITE RETAINING COMPOUND #75
-	FT2962-1		0	SEALANT - 50 CC LOCTITE H, NON-HARDENING GRADE
-	FT2963-2		0	SEALANT - 2 OZ. LOCTITE D, HARDENING GRADE
-	FT8935		0	SEALANT PRIMER - 6 OZ.

ACCESSORIES

REF. NO.	PART NO.	SYM.	QTY.	DESCRIPTION
-	F5H014		0	FLUSHING ADAPTER PERMITS FRESH WATER FLUSHING OF WATER PASSAGES WITH STANDARD GARDEN HOSE.
-	F5H130		0	REMOTE CONTROL - SURFACE MOUNT PERMITS REMOTE CONTROL OF THROTTLE AND GEAR SHIFT FROM STARBOARD SIDE OF BOAT.
-	F5H120		0	REMOTE CONTROL BACK PLATE TO PREVENT INTERFERENCE WITH PADDED SIDE OF BOAT.
-	F5H131		0	PORT SIDE DECAL KIT CONVERTS 5H130 CONTROL BOX TO PORT SIDE MOUNTING.
-	F590		0	REMOTE CONTROL - FLUSH MOUNT FLUSH MOUNT CONTROL UNIT PERMITS REMOTE CONTROL OF THROTTLE AND GEAR SHIFT. MAY BE MOUNTED ON PORT OR STARBOARD SIDE OF BOAT.
-	865		0	REMOTE CONTROL - SURFACE MOUNT PERMITS REMOTE CONTROL OF THROTTLE AND GEAR SHIFT ON TWIN ENGINE INSTALLATIONS. MAY BE MOUNTED ON PORT OR STARBOARD SIDE OF BOAT.
-	F5H079		0	SINGLE REMOTE CONTROL BOX PERMITS REMOTE CONTROL OF THROTTLE AND GEAR SHIFT. CONSOLE MOUNTED.
-	F5H080		0	TWIN REMOTE CONTROL BOX PERMITS REMOTE CONTROL OF THROTTLE AND GEAR SHIFT - TWO ENGINES. CONSOLE MOUNTED.
-	F195/___		0	REMOTE CONTROL CABLES CONNECTS REMOTE CONTROL BOX TO THROTTLE AND GEAR SHIFT ON ENGINE. AVAILABLE IN 6 THROUGH 40 FOOT LENGTHS.
-	F5H132		0	REMOTE CONTROL HANDLE TRIM SWITCH HAS POWER TRIM CONTROL SWITCH IN HANDLE. REPLACES STANDARD CONTROL LEVER ON 5H130 CONTROL BOX.
-	F5H108		0	STEERING CONNECTOR CLEVIS TYPE FOR BOAT MOUNTED STEERING AND NONTHREADED CABLE END.
-	F5H094		0	STEERING LINK KIT CONNECTS STEERING CABLE TO ENGINE WHEN USING ENGINE MOUNTED STEERING SYSTEM.
-	F5H018		0	DUAL STEERING CONNECTOR PERMITS DUAL ENGINE INSTALLATIONS.
-	F5H026		0	STEEL, 6 GALLON FUEL TANK (LOW PROFILE) AUXILIARY TANK.
-	F5H029		0	TANK ANCHOR SECURES 5H026 TO BOAT.
-	F5H040		0	STEEL, 12 GALLON FUEL TANK AUXILIARY TANK.
-	F5H019		0	ANTI-CORROSION KIT ELECTRICAL KIT FOR MOUNTING ON BOAT (12V) TO REDUCE CORROSION.
-	F5H025		0	ANTI-CORROSION SACRIFICIAL ANODE KIT USED TO REDUCE CORROSION.
-	F5H043		0	OVERHEAT BUZZER SOUNDS WARNING BUZZER IF ENGINE OVERHEATS.
-	F5H161		0	POWER TRIM INDICATOR INDICATES ENGINE TRIM ANGLE.
-	F5H134		0	BOAT WHITE LACQUER ENGINE TOUCH-UP PAINT IN 12 3/4 OZ. SPRAY BOMBS (6 CANS PER CASE).
-	F5H044		0	TILT STOP KIT LIMITS TILTING ANGLE.

CONTINUED ON NEXT PAGE ➡

ACCESSORIES

REF. NO.	PART NO.	SYM.	QTY.	DESCRIPTION
-	F5H068		0	RFI SUPPRESSION KIT PROVIDES RADIO NOISE SUPPRESSION.
-	F5H151		0	SHOCK ABSORBER KIT TO PROVIDE SHOCK PROTECTION WHEN HITTING UNDERWATER OBJECT.
-	F5H081		0	BATTERY CABLE LONGER LENGTH - 15 FEET.
-	F5H157		0	VOLTMETER - FLUSH MOUNT INDICATES BATTERY CONDITION.
-	5H047		0	CANVAS HOOD PROTECTION FOR ENGINE COVER.
-	F5H021		0	EXTENSION CABLE FOR LENGTHENING BATTERY CABLE 6 1/2 FEET.
-	F5H041		0	BATTERY TERMINAL KIT FOR STANDARD NEGATIVE AND POSITIVE BATTERY POST.
-	71H25		0	CHARGE INDICATOR LAMP GLOWS GREEN WHEN ALTERNATOR IS RECHARGING BATTERY. DO NOT USE INDICATOR LAMP AND AMMETER IN SAME INSTALLATION.
-	F5H037		0	CIGAR LIGHTER FOR USE AS CONVENIENCE OUTLET.
-	5H158		0	FUEL GAUGE FLUSH MOUNT MONITORS FUEL SUPPLY.
-	5H145		0	HYDRAULIC TILT HYDRAULIC UNIT TO RAISE AND LOWER THE LOWER UNIT WHEN BEACHING OR TRAILERING BOAT.
-	479		0	HEAT LAMP KIT GLOWS RED IF ENGINE OVERHEATS. DO NOT USE HEAT LAMP AND TEMPERATURE GAUGE IN SAME INSTALLATION.
-	F5H119		0	PROPELLER SPACER (FLARED) REDUCES PROPELLER VENTILATION ON SOME HULLS.
-	F5H159		0	HOURLY METER RECORDS ENGINE RUNNING TIME.
-	F5H077		0	IGNITION KEY SWITCH SHORT BARREL WITH KEYS.
-	F5H078		0	IGNITION KEY SWITCH LONG BARREL WITH KEYS.
-	F762		0	REMOTE ELECTRIC CABLE 25 FOOT CABLE FOR LARGE BOATS.
-	F5H070		0	REMOTE ELECTRIC CABLE 21 FOOT CABLE FOR LARGE BOATS.
-	5H082		0	REMOTE ELECTRIC CABLE 35 FOOT CABLE FOR LARGE BOATS.
-	F5H028		0	SENDING UNIT FOR USE WITH 5H008 FUEL GAUGE.
-	F5H156		0	TEMPERATURE GAUGE FLUSH MOUNT MONITORS ENGINE TEMPERATURE. DO NOT USE TEMPERATURE GAUGE AND HEAT LAMP IN SAME INSTALLATION.
-	F5H153		0	TACHOMETER FLUSH MOUNT MONITORS ENGINE R.P.M. TO PROVIDE CHECK OF ENGINE PERFORMANCE.
-	F5H149		0	POWER TRIM ADJUSTS ENGINE TRIM AND TILTS ENGINE.
-	F5H155		0	SPEEDOMETER FLUSH MOUNT MONITORS BOAT SPEED (10 - 65 M.P.H.).
-	F5H154		0	SPEEDOMETER FLUSH MOUNT MONITORS BOAT SPEED (10 - 50 M.P.H.).
-	F5H115		0	TRAILERING TILT LOCK SECURES ENGINE IN HALF TILT POSITION FOR TRAILERING.
-	F5H076		0	SWITCH EXTENSION CABLE - 5 FT. ALLOWS INSTALLATION OF IGNITION SWITCH IN 5H130 CONTROL BOX WITH 563 TERMINAL BLOCK.

CONTINUED ON NEXT PAGE ➡

ACCESSORIES

REF. NO.	PART NO.	SYM.	QTY.	DESCRIPTION
-	F5H030		0	SWITCH KIT - RUNNING LIGHTS DASH MOUNTED TOGGLE SWITCH.
-	F5H031		0	SWITCH KIT - SPOT LIGHT DASH MOUNTED TOGGLE SWITCH.
-	F5H032		0	SWITCH KIT - WIPER DASH MOUNTED TOGGLE SWITCH.
-	F5H034		0	SWITCH KIT - BILGE PUMP DASH MOUNTED TOGGLE SWITCH.
-	F5H035		0	SWITCH KIT - HORN DASH MOUNTED TOGGLE SWITCH (MOMENTARY).
-	F5H036		0	SWITCH KIT - TACHOMETER TRANSFER DASH MOUNTED TOGGLE SWITCH FOR ONE TACHOMETER ON DUAL ENGINE INSTALLATION.
-	5H139		0	SWITCH KIT - LIVEWELL FOR OPERATING LIVEWELL PUMP.
-	F5H038		0	SWITCH KIT - IGNITION SWITCH TO MOUNT IGNITION SWITCH ON DASH.
-	F5H039		0	SWITCH KIT - INSTRUMENT LIGHT DASH MOUNTED TOGGLE SWITCH.
-	F563		0	TERMINAL BLOCK KIT DOUBLE ROW 10 SECTION TO SIMPLIFY ACCESSORY INSTALLATION.
-	F5H075		0	WIRING HARNESS - IGNITION SWITCH (24") USE WITH 563 TERMINAL BLOCK.
-	F596		0	CHRYSLER OUTBOARD OIL SEE BLOCK COMMENT 1.
-	F597		0	CHRYSLER OUTBOARD GEAR LUBE SEE BLOCK COMMENT 2.
-	F5H059		0	CHRYSLER OUTBOARD MULTI-PURPOSE GREASE LUBRICATES BEARINGS AND OTHER MOVING PARTS. AVAILABLE IN 8 OZ. TUBES AND 12 TUBE CASES.
-	F5H060		0	CHRYSLER OUTBOARD GREASE GUN

PARTS INDEX

Part Number	Description	Pg.	Ref. No.	Part Number	Description	Pg.	Ref. No.
15169	FRAME AND FIELD ASSEMBLY	13	10	F1280	PAN HD SCREW	33	20
479	HEAT LAMP KIT	60	-	F1280	PAN HD SCREW, 8 - 32 X 1/4	5	33
5H047	CANVAS HOOD	60	-	F1280	PAN HD SCREW, 8 - 32 X 1/4	29	22
5H082	REMOTE ELECTRIC CABLE	60	-	F1280	PAN HD SCREW, 8 - 32 X 1/4 (TERMINAL BOARD) (NOT SHOWN)	47	-
5H139	SWITCH KIT - LIVWELL	61	-	F1286	PAN HD SCREW, 4 - 40 X 3/16	21	30
5H145	HYDRAULIC TILT	60	-	F1310	ROUND HD SCREW, 10 - 24 X 5/8	51	22
5H158	FUEL GAUGE FLUSH MOUNT	60	-	F1341	HEX NUT, 1/4 - 20	21	22
71H25	CHARGE INDICATOR LAMP	60	-	F1346	HEX NUT, 3/8 - 16	21	6
817747--1	BALL JOINT W/STUD	15	27	F1346	HEX NUT, 3/8 - 16	29	28
817747--1	BALL JOINT W/STUD	21	18	F1346	HEX NUT, 3/8 - 16	33	32
817783A5	SWIVEL BRACKET	29	40	F14006-2	CAP BASE	9	37
817783A5	SWIVEL BRACKET	35	60	F14007	CAP SCREW	9	33
817786A1	DISTRIBUTOR PULLEY W/STOP NUT, WASHER AND LITERATURE	9	3	F14011-1	CAP COVER	9	34
817787A1	CYLINDER DRAIN COVER	21	28	F14012-1	BRUSH	11	39
817788A3	SPACER PLATE	23	64	F14015	CAP CLIP RIVET	9	21
817822A1	DISTRIBUTOR, COMPLETE.	9	-	F14017	TERMINAL INSULATOR (OUTSIDE)	11	45
817892--1	IGNITION SWITCH PLATE - CANADA (NOT SHOWN)	7	-	F14020-1	CAP SEAL	9	36
817931A7	MOTOR LEG COVER, REAR	29	10	F14024	SPACER	11	42
817931A7	MOTOR LEG COVER, REAR	33	10	F14025	SPACER	9	4
817959A3	INTAKE MANIFOLD	15	23	F14028	THRUST WASHER	9	5
865	REMOTE CONTROL - SURFACE MOUNT	59	-	F14029	THRUST WASHER	9	7
89396A38	PRIME BULB	45	9	F14030	CAP GASKET	9	38
A611396	DECAL, ENGINE COVER - STARBOARD	3	-	F14036	SWIVEL	9	13
A611397	DECAL, ENGINE COVER - PORT	3	10	F14037	CAP CLIPS	9	14
F1009	HEX BOLT, 3/8 - 16 X 2-3/4	21	3	F14038	CAP CLIP SCREWS	9	15
F1014	COTTER PIN	17	60	F14040	VENT	9	35
F1014	COTTER PIN	35	66	F14041	EXTERNAL TOOTH LOCKWASHER	9	23
F1015	COTTER PIN	41	47	F14042	DISTRIBUTOR HOUSING W/BEARINGS	9	12
F1059	FILL HD SCREW, S.S., 6 - 32 X 1/4	17	56	F14043	DISTRIBUTOR SHAFT	11	40
F1064	FILL HD SCREW, S.S., 8 - 32 X 3/8	19	100	F14045	SCREW	9	16
F1072	FILL HD SCREW, 1/4 - 20 X 1-3/4	17	77	F14046	TERMINAL SCREW	9	19
F1087	FILL HD SCREW, 10 - 24 X 13/16	5	2	F14047	TERMINAL INSULATOR (INSIDE)	9	20
F1099	FILL HD SCREW, 1/4 - 20 X 1-1/4	21	15	F14049	TERMINAL INSULATOR (OUTSIDE)	9	22
F1108	FILL HD SCREW W/LOCKWASHER, 1/4 - 20 X 3/4	15	11	F14056	SCREW	11	46
F1110	FILL HD SCREW, 1/4 - 20 X 5/8	25	79	F1425	HEX CAP SCREW, 1/4 - 20 X 2-5/8	41	63
F1199	HEX CAP SCREW, 1/4 - 20 X 1	21	13	F1425	HEX CAP SCREW, 1/4 - 20 X 5/8	43	-
F1203	HEX CAP SCREW, 1/4 - 20 X 7/8	51	16	F1461	TAPPING SCREW, #6 X 7/8 (758H2D, 758B2D)	49	41
F1236	HEX HD SCREW, 1/4 - 20 X 1/2	17	50	F1473	HEX NUT, 10 - 24	3	33
F1263	HEX SOCKET HD CAP SCREW, 5/16 - 18 X 9/16	29	13	F1475	FILL HD SCREW, 10 - 24 X 1/2	21	20
				F1491	HEX CAP SCREW, 5/16 - 18 X 3-1/4	41	41
				F15034	SPRING SET	13	20
				F1504	FILL HD SCREW, 1/4 - 20 X 1-1/4	17	75
				F1504	FILL HD SCREW, 1/4 - 20 X 1-1/4	21	21

PARTS INDEX

Part Number	Description	Pg.	Ref. No.	Part Number	Description	Pg.	Ref. No.
F15080	SPRING	13	3	F17014	THROTTLE ARM	47	10
F15099	ARMATURE	13	9	F17016	CABLE TERMINAL	47	9
F15100	BENDIX	13	5	F17019	CLUTCH ARM	47	5
F15110	CLUTCH ASSEMBLY	13	4	F17021	CLUTCH GEAR	47	19
F15111	NUT, STOP RETAINING	13	1	F17026	SWIVEL	47	24
F15112	STOP, PINION	13	2	F1703	SPRING LOCKWASHER	21	7
F15125	HEAD ASSEMBLY, COMMUTATOR END	13	18	F1703	SPRING LOCKWASHER	31	52
F15126	THRUST WASHER PACKAGE	13	8	F1703	SPRING LOCKWASHER	35	77
F1513	HEX NUT	5	18	F17030-1	SET SCREW	47	31
F1513	HEX NUT	47	3	F17031-1	SNAP CAP	47	28
F1513	HEX NUT, 10 - 32	15	29	F17036	INTERNAL TOOTH LOCKWASHER	47	6
F1513	HEX NUT, 10 - 32	21	16	F1704	INTERNAL TOOTH LOCKWASHER	15	42
F1515	HEX NUT	5	24	F1705	HEX CAP SCREW, 1/4 - 20 X 3/4	5	23
F1515	HEX NUT, 5/6 - 18	15	37	F1705	HEX CAP SCREW, 1/4 - 20 X 3/4	39	1
F15165	BRUSH TERMINAL SET	13	11	F1705	HEX SLOT HD SCREW, 1/4 - 20 X 3/4	29	3
F15167	HEAD ASSEMBLY DRIVE END	13	7	F1705	HEX SLOT HD SCREW, 1/4 - 20 X 3/4	33	3
F15168	THRU BOLT PACKAGE	13	14	F17068	DETENT SPRING	47	37
F1528	WELCH PLUG	29	33	F17071	FILL HD SCREW, 10 - 24 X 5/16	47	22
F1528	WELCH PLUG	33	41	F1708	HEX HD CAP SCREW, 1/4 - 20 X 1-3/8	3	18
F1532	HEX HD SCREW, 1/4 - 20 X 1	19	104	F1708	HEX HD SCREW, 1/4 - 20 X 1-3/8	25	97
F1532	HEX HD SCREW, 1/4 - 20 X 1	21	25	F17082-1	DETENT BALL	47	38
F154317	CABLE CLAMP	47	23	F17092	SNAP RING	47	21
F1556	FILL HD SCREW W/LOCKWASHER, 10 - 24 X 3/8	21	23	F17099	HOUSING	47	36
F1557	FLAT HD SCREW, 10 - 24 X 3/8	47	25	F17100	CLUTCH SHAFT	47	20
F1577	FILL HD SCREW, 1/4 - 20 X 3/4	39	20	F17103	BAG ASSEMBLY (NOT SHOWN)	49	-
F1593	HEX HD SCREW, 3/8 - 16 X 3	29	26	F17105	FELT WASHER	47	33
F1593	HEX HD SCREW, 3/8 - 16 X 3	33	30	F17106	COLLAR	47	34
F1612	HEX CAP SCREW, 3/8 - 16 X 1-1/4	9	8	F17111	DETENT BALL	47	17
F1641	LOCK NUT	13	6	F17112	JUNCTION BOARD, STARBOARD	47	26
F1645	RD HD SCREW, 6 - 32 X 1/4	7	51	F17113	JUNCTION BOARD, PORT	47	-
F1645	RD HD SCREW, 6 - 32 X 1/4	15	41	F17115-1	HAND LEVER (756H2H, 756B2H)	49	43
F1647	HEX NUT, 10 - 32	25	78	F17116	KNOB (756H2H, 756B2H)	49	42
F1647	HEX NUT, 8 - 32	5	6	F1713	SPRING PIN	39	26
F1647	HEX NUT, 8 - 32	9	24	F17146	WOOD SCREW	47	35
F1648	PAN HD SCREW, 10 - 24 X 3/4	5	16	F17147	INTERNAL TOOTH LOCKWASHER	47	12
F1664	SPRING PIN	29	11	F17148	DECAL, STARBOARD	47	27
F1664	SPRING PIN	33	11	F17149	COTTER PIN	47	8
F1666	BOWED SPRING WASHER	33	26	F1715	HEX BOLT, 1/4 - 28 X 9/16	47	7
F1669	LOCK NUT	35	43	F1727	PLASTIC RIVET	21	36
F1689	HEX HD CAP SCREW, 1/4 - 20 X 1/2	7	42	F1729	PLUG	29	9
F1692	WOODRUFF KEY	11	41	F1729	PLUG	33	9
F1693	TIE BAR RETAINER	19	99	F1730	SCREW, PAN HD W/SPRING LOCKWASHER, 1/4 - 20 X 5/8	3	4
F1696	HEX BOLT, 5/16 - 18 X 1-3/4	31	46	F1733	SCREW, PAN HD, 10 - 24 X 9/16	3	2
F1696	HEX BOLT, 5/16 - 18 X 1-3/4	33	24				
F17006	DETENT SPRING	47	18				
F17009	BEARING	47	14				
F17010-1	THROTTLE GEAR	47	16				
F17011	BOWED WASHER	47	15				
F17012	RETAINING PLATE	47	13				

PARTS INDEX

Part Number	Description	Pg.	Ref. No.	Part Number	Description	Pg.	Ref. No.
F1734	FILL HD SCREW W/LOCKWASHER, 1/4 - 20 X 1/2	5	14	F1832	STOP NUT, 1/4 - 20	23	59
F1741	PAN HD SCREW, 8 X 3/4	5	35	F1836	PLAIN WASHER	43	72
F1741	THREAD FORMING SCREW, 8 X 3/4	51	9	F1836	SPRING PIN	35	65
F1744	SPRING PIN	35	48	F184033-1	CHOKE ARM SWIVEL	17	57
F1744	SPRING PIN	35	55	F184579	SEAL, CHOKE ARM SWIVEL	17	58
F17500	SPRING SET	51	4	F1851	FILL HD SCREW W/LOCKWASHER, 10 - 24 X 1/2	5	39
F17504	BRUSH SET	51	3	F1854	HEX CAP SCREW, 1/4 - 20 X 5/8	3	24
F17505	RESERVOIR AND BRACKET W/SEAL	51	14	F1857	HEX CAP SCREW, 5/16 - 18 X 5/8	3	22
F17508	THRUST WASHER	51	11	F1857	HEX CAPSCREW, 5/16 - 18 X 5/8	3	34
F17510	O-RING	51	13	F1858	HEX CAP SCREW, 5/16 - 18 X 1	3	20
F17518	FILTER CAP	51	12	F1858	HEX CAP SCREW, 5/16 - 18 X 1	41	39
F17522	O-RING	51	21	F1860	SLOTTED BINDING HD SCREW, 6 - 32 X 1/4	15	7
F17528	O-RING	53	44	F1864	HEX CAP SCREW, 1/4 - 20 X 3/4	3	14
F17539	BALL	51	2	F1864	HEX HD SCREW, 1/4 - 2 X 3/4	23	67
F17543	HEAD ASSEMBLY, COMMUTATOR END	51	1	F1864	HEX HD SCREW, 1/4 - 20 X 3/4	21	9
F1755	RD HD SCREW W/LOCKWASHER, 6 - 32 X 5/16	15	16	F1866	PLAIN WASHER	39	16
F17555	ARMATURE	51	7	F1867	HEX CAP SCREW, 3/8 - 16 X 1	27	19
F17556	FIELD AND FRAME ASSEMBLY	51	6	F1869	HEX BOLT, 3/8 - 16 X 1-1/4	23	62
F17557	GASKET	51	5	F1871	HEX HD SCREW, 3/8 - 16 X 3/4	31	53
F17558	THRU-BOLT PACKAGE	53	51	F1871	HEX HD SCREW, 3/8 - 16 X 3/4	35	78
F17560	HEAD ASSEMBLY	53	45	F1872	HEX BOLT, 3/8 - 16 X 1-3/4	21	14
F17562-1	PISTON ASSEMBLY	53	43	F1873	HEX BOLT, 3/8 - 16 X 3	21	5
F17563	MOTOR AND RESERVOIR	51	20	F1877	TY-RAP	5	29
F17564	VALVE BODY AND PUMP	51	17	F1877	TY-RAP (NOT SHOWN)	53	52
F17565	DRIVE GEAR	51	19	F1883	HEX BOLT, 5/16 - 18 X 2-3/8	25	74
F17566	IDLE GEAR	51	18	F1885	HEX BOLT, 5/16 - 18 X 4-1/4	23	53
F17577	ADAPTER FITTING PACKAGE	51	41	F1885	HEX CAP SCREW, 5/16 - 18 X 4-1/4	39	6
F1759	SHIM, DISTRIBUTOR (QTY. AS REQUIRED)	9	11	F1892	STOP NUT	7	52
F1760	PAN HD SCREW, 10 - 24 X 3/8	5	19	F1904	PLAIN WASHER	29	27
F1760	PAN HD SCREW, 10 - 24 X 3/8	9	25	F1904	PLAIN WASHER	33	31
F1760	PAN HD SCREW, 10 - 24 X 3/8	17	80	F1907	PLAIN WASHER	39	7
F1760	PAN HD SCREW, 10 - 24 X 3/8	21	2	F1910	STOP NUT, 1/4 - 20	15	32
F177330	FUEL PUMP VALVE	15	8	F19109	PLUG	25	85
F177350	REVERSE LOCK PIN	35	49	F19109	PLUG, GEAR HOUSING	41	31
F1778	PLAIN WASHER	9	9	F1912	HEX HD SCREW, 10 - 24 X 1/2	29	41
F178323	SEAL, MOTOR LEG	29	15	F1912	HEX HD SCREW, 10 - 24 X 1/2	35	80
F178323	SEAL, MOTOR LEG	33	15	F1916	HEX HD SCREW, 1/4 - 20 X 1-1/8	15	25
F178344	BUSHING	53	53	F1916	HEX HD SCREW, 1/4 - 20 X 1-1/8	25	101
F178362	BEARING	51	35	F1922	HEX CAP SCREW, 1/4 - 20 X 5/8	15	3
F178446	CLAMP	51	10				
F1788	STOP NUT	39	15				
F17932	SEAL, FUEL TANK ADAPTER	45	12				
F18160-2	REED	21	33				
F1822	HEX BOLT, 5/16 - 18 X 7/8	31	55				
F1822	HEX BOLT, 5/16 - 18 X 7/8	35	72				

PARTS INDEX

Part Number	Description	Pg.	Ref. No.	Part Number	Description	Pg.	Ref. No.
F1922	HEX HD SCREW, 1/4 - 20 X 5/8	23	49	F2030	HEX HD SCREW, 1/4 - 20 X 1/4	31	50
F1922	HEX SLOT HD SCREW, 1/4 - 20 X 5/8	3	19	F2030	HEX HD SCREW, 1/4 - 20 X 1-1/4	35	76
F1931	STOP NUT, 1/2 - 20, STAINLESS STEEL	53	47	F203276	BOOT	9	30
F1934	FLAT HD SLOTTED SCREW, 6 X 1/2	7	49	F2033	GROOVE PIN	17	47
F1936	SPACER, BEVEL GEAR FRONT .059	39	28	F203673	TERMINAL CLIP	9	31
F1937	SPACER, BEVEL GEAR FRONT .062	39	-	F2042	PLAIN WASHER	21	39
F1938	SPACER, BEVEL GEAR FRONT .065	39	-	F2042	PLAIN WASHER	23	55
F1939	SPACER, BEVEL GEAR FRONT .068	39	-	F2047	WAVE WASHER	3	28
F1940	SPACER, BEVEL GEAR FRONT .071	39	-	F2050	HEX HD SCREW, 1/4 - 20 X 1-1/2	15	38
F1941	SPACER, BEVEL GEAR FRONT .074	39	-	F2066	PAN HEAD TAPPING SCREW, 10 X 7/16	3	32
F1942	SPACER, BEVEL GEAR FRONT .077	39	-	F2067	PLASTISOL CAP (NOT SHOWN) FOR EXPOSED THREADS OF CRANKSHAFT	27	-
F195/___	REMOTE CONTROL CABLE (SPECIFY LENGTH)	47	4	F2088	FASTENER	3	8
F195/___	REMOTE CONTROL CABLES	59	-	F2089	SLOTTED PAN HD MACHINE SCREW, 10 - 24 X 5/16	23	56
F1950	HEX HD SCREW, 10 - 24 X 5/8	25	93	F2090	PLUG	23	65
F1959	FERRY HD CAP SCREW, 1/4 - 20 X 1 3/4, STAINLESS STEEL	51	24	F2093	STOP NUT, 3/8 - 24	29	16
F1960	PLAIN WASHER	53	48	F2093	STOP NUT, 3/8 - 24	33	16
F1963	ELASTIC STOP NUT, 5/8 - 18	51	34	F2107	FILL HD SCREW, 10 - 24 X 5/8	5	9
F1966	PLUG, SWIVEL BRACKET	51	15	F2108	LOCK NUT, 5/16 - 18	31	60
F1968	FLYWHEEL NUT	27	21	F2108	LOCK NUT, 5/16 - 18	35	83
F1975	SPRING LOCKWASHER	5	10	F2108	STOP NUT, 5/16 - 18	23	57
F1975	SPRING LOCKWASHER	9	26	F2113	SPACER, BEVEL GEAR FRONT .080	39	-
F197787-3	FUEL LINE COUPLER	45	6	F2114	SPACER, BEVEL GEAR FRONT .083	39	-
F197813	BEARING	35	68	F2115	SPACER, BEVEL GEAR FRONT .086	39	-
F1987	PLAIN WASHER	25	73	F2116	SPACER, BEVEL GEAR FRONT .089	39	-
F1987	PLAIN WASHER	31	61	F2121	SPACER, BEVEL GEAR FRONT .057	39	-
F1987	PLAIN WASHER	35	84	F2122	SPACER, BEVEL GEAR FRONT .054	39	-
F1990	HEX CAP SCREW	43	-	F213274	GREASE FITTING	9	27
F1990	HEX CAP SCREW, 1/4 - 20 X 1-5/8	41	61	F213274	GREASE FITTING	29	42
F1994	HEX SOCKET HD CAP SCREW, 5/16 - 18 X 1	41	37	F213274	GREASE FITTING	35	61
F1997	STOP NUT, 8 - 32	19	89	F213342	SEAL, FUEL LINE COUPLER (LARGE)	45	4
F2000	HEX CAP SCREW, 5/16 - 18 X 3/4	7	47	F213735	SEAL, FUEL LINE COUPLER (SMALL)	45	5
F2008	HEX BOLT, 1/4 - 20 X 7/8	25	98	F24278	PROPELLER SHAFT SPOOL SEAL	43	-
F2008	HEX CAP SCREW, 1/4 - 20 X 7/8	25	100	F24278	SEAL, O-RING PROPELLER SHAFT SPOOL	39	10
F2008	HEX CAP SCREW, 1/4 - 20 X 7/8	41	55	F269319	BEARING	15	33
F2008	HEX HD SCREW, 1/4 - 20 X 7/8	15	24	F284659-2	CRANKSHAFT THRUST BEARING UPPER	27	22
F2014	PLAIN WASHER	31	63	F286461	SPRING LOCK BAR HANDLE	35	53
F2014	PLAIN WASHER	37	86	F289446-1	CLAMP	5	12
F2015	HEX NUT, 1/4 - 28	21	42	F298788	FERRULE	45	7
F2016	FILL HD SCREW, 6 - 32 X 7/8	15	39	F2A404757	CYLINDER DRAIN REED PLATE	21	35

PARTS INDEX

Part Number	Description	Pg.	Ref. No.	Part Number	Description	Pg.	Ref. No.
F2A498023	BEVEL GEAR FRONT	39	29	F40689-1	BEARING, TOWERSHAFT	23	63
F2A498662	BEVEL GEAR, REAR W/BEARING CAGE, SPACER AND BEARING	39	22	F407446	CLAMP	5	31
F2A523239	SPOOL, PROPELLER SHAFT BEARING	39	11	F409251-1	GAUGE CAP	45	1
F2A550706	GEAR HOUSING COVER	41	53	F433114	HANDLE, LOCK BAR	35	54
F307317	CLIP, TERMINAL BLOCK	5	17	F433209-1	STUD	15	30
F316579	SEAL, CRANKCASE	27	11	F433253	HOSE	21	27
F316599	SEAL, STEERING SUPPORT TUBE	31	43	F438066	BY-PASS VALVE COVER	25	92
F316599	SEAL, STEERING SUPPORT TUBE	33	40	F438129	SEAL, DRIVESHAFT SPLINE	43	71
F319908	WIRE, GROUND (CANADA ONLY)	7	55	F438165	SCREW, FUEL PUMP BOWL	15	15
F321756	PACKING	3	30	F438169	BEARING	29	35
F321841-3	LEAD WIRE	9	32	F438169	BEARING	35	46
F333316	THROTTLE ROLLER SHAFT	19	91	F438271	RETAINER, CRANKSHAFT SPLINE SEAL	43	70
F335215	SPACER, PISTON PIN (2 PER PISTON)	27	3	F438346	SHOCK MOUNT, LOWER	31	54
F335217-1	BEARING PISTON PIN (26 PER SET)	27	5	F438346	SHOCK MOUNT, LOWER	35	73
F335654-1	STOP, DEFLECTION	3	23	F438398-1	DECAL, WIRING	25	99
F338618-1	GEAR SHIFT ROD SEAL	43	-	F438500	FUEL SEDIMENT BOWL	15	14
F338618-1	SEAL, GEAR SHIFT ROD	41	56	F438617	FUEL SEDIMENT BOWL GASKET	19	102
F345475-1	COIL	7	44	F438653	FUEL SEDIMENT BOWL SCREEN	15	13
F345683	WIRE, REGULATOR- RECTIFIER GROUND	5	5	F438668	RETAINER, CABLE CLAMP	5	13
F351307	SEAL, WATER PUMP	41	64	F438744-1	WIRING HARNESS	5	4
F353480	STUD	29	29	F438747	FUEL PUMP DIAPHRAGM	15	6
F353480	STUD	33	33	F438754	FUEL LINE	17	52
F369349	REVERSE LOCK	35	44	F438760	FUEL PUMP GASKET	15	2
F369364	REVERSE LOCK ARM	35	64	F438801	FITTING	15	12
F369510	LINK	35	47	F438841-1	LEAD WIRE - CANADA	9	-
F369529-1	CYLINDER HEAD GASKET	23	-	F438905	COIL WIRE - CANADA	9	-
F369529-1	CYLINDER HEAD GASKET	25	86	F438930	RETAINER, SNOUT	41	36
F369610	BEARING	23	52	F438962	SHOCK MOUNT SLIDE	29	12
F369827	HANDLE AND SHAFT	35	69	F438962	SHOCK MOUNT SLIDE	33	12
F369887	SHOULDER SCREW	23	51	F439736	SEAL EXHAUST TUBE	29	8
F369977-1	INTERLOCK ARM	23	61	F439736	SEAL EXHAUST TUBE	33	8
F373778-1	RETAINER, ENGINE COVER	3	31	F448446	CLAMP, CABLE TRIM SWITCH (758H2D, 758B2D)	49	39
F381896-4	BATTERY CABLE	5	30	F448543	KNOB (758H2D, 758B2D)	47	29
F391926-1	CHOKE SOLENOID PLUNGER	17	48	F448611-1	HANDLE (758H2D, 758B2D)	47	30
F391983	RETAINING BAND	5	27	F449010	CYLINDER	51	32
F3A321158	REED PLATE	15	19	F449253-1	HYDRAULIC LINE, TRIM CYLINDER, LOWER	51	37
F3C611944	COVER, ENGINE - COMPLETE	3	-	F449254	HYDRAULIC LINE, TRIM CYLINDER, UPPER	51	23
F40209	CARBURETOR STUD	15	36	F449278	PISTON SEAL	51	30
F40223	GASKET, TRANSFER PORT COVER	23	47	F449342	SEAL, PISTON SHAFT	51	28
F40223	TRANSFER PORT COVER GASKET	23	-	F449354	THRUST BRACKET	51	25
F40278	SEAL, CYLINDER	51	31	F449545-2	CYLINDER HOUSING	51	33
F404097	FLYWHEEL	5	1	F449632	SHAFT	51	36
F404268	SPRING, BY-PASS VALVE	25	90	F449754-1	HYDRAULIC LINE, LIFT CYLINDER, LOWER	51	39
F404470-1	REGULATOR-RECTIFIER	5	8	F449758	HYDRAULIC LINE, LIFT CYLINDER, UPPER	51	38
F404513	COIL CLAMP	5	40	F449889	SHAFT, UPPER	53	49
F404801	FITTING	21	26	F449894	INDICATOR (758H2D, 758B2D)	47	32
F404841	CABLE, HEAT INDICATOR	5	37	F455449	SWITCH (758H2H, 758B2H)	49	40
				F460917	STARTER RELAY	5	26
				F474073-1	CLAMP SCREW	29	31
				F474073-1	CLAMP SCREW	33	35

PARTS INDEX

Part Number	Description	Pg.	Ref. No.	Part Number	Description	Pg.	Ref. No.
F474387	TIMING DECAL	7	54	F523133-2	MOTOR LEG	33	14
F476066-1	COVER, THERMOSTAT	25	80	F523146	SEAL, CRANKSHAFT LOWER	27	13
F476067	GASKET, THERMOSTAT COVER	25	83	F523188	NUT, BEVEL PINION RETAINING	41	34
F476067	THERMOSTAT COVER GASKET	25	-	F523244	INLET WATER LINE	39	5
F480038-2	PLATE, SUPPORT	3	15	F523273	STEERING BALL STUD	29	20
F480107-1	CAM, STARTER INTERLOCK	23	54	F523273	STEERING BALL STUD	33	23
F480388	DISC, WATER PUMP LOCATING	41	62	F523274	GREASE FITTING	31	44
F480518	CYLINDER HEAD	25	84	F523274	GREASE FITTING	33	38
F480551-1	BRACKET INTERLOCK SWITCH	17	44	F523280	NUT, STEERING SUPPORT TUBE	29	36
F480818	BEARING, LATCH SHAFT	3	13	F523280	NUT, STEERING SUPPORT TUBE	35	50
F480955	STARTER COMPLETE	13	-	F523300-1	SPRING STEERING LINK	33	19
F481382-1	SPACER, LATCH SHAFT	3	29	F523300-1	SPRING, STEERING LINK	29	19
F481434	GUIDE, ENGINE COVER	3	9	F523411	RETAINING RING	39	23
F481567	CARBURETOR INTAKE ADAPTER	17	79	F523498	DRIVE KEY, WATER PUMP	41	68
F481774	BRACKET, ENGINE COVER LATCH	3	7	F523498	KEY	43	-
F481777	CAM, LATCH SHAFT	3	27	F523555	GEAR HOUSING COVER SEAL	43	-
F481836	INTAKE GASKET	17	81	F523555	SEAL, O-RING - GEAR HOUSING COVER	41	49
F481836	INTAKE GASKET	25	-	F523562	PLATE, WATER PUMP	43	-
F481860-1	CARBURETOR, INTAKE	17	78	F523562	WATER PUMP BACK PLATE	41	58
F483884	BEARING	35	59	F523705	GEAR SHIFT ROD LOWER	41	46
F485755-1	FUEL TANK ADAPTER	45	3	F523813	BEARING CUP	39	30
F498061-1	CARBURETOR COMPLETE (WB26B)	19	103	F523834	CLIP, SPARK PLUG WIRE	23	50
F498618	GEAR SHIFT ARM PIN SEAL	43	-	F523881-2	STEERING LINK	29	17
F498618	SEAL	41	33	F523881-2	STEERING LINK	33	17
F498891	PIN, GEAR SHIFT ARM	41	32	F523899	GROMMET, WATER LINE	39	4
F498891	PIN, PROPELLER NUT RETAINING	39	14	F523930	RETAINER	29	23
F499995	CYLINDER HEAD COVER	25	75	F523930	RETAINER	33	22
F500843	CABLE	51	8	F523961	CRUSH RING	41	50
F50109	PLUG, GEAR HOUSING	41	44	F523962	SHOCK MOUNT - C.D. UNIT	7	46
F50342-1	BEARING CAGE BOLT SEAL	43	-	F528068	THERMOSTAT	25	82
F50342-1	SEAL, BEARING CAGE BOLTS	39	8	F529390-1	DECAL, REVERSE LOCK	35	62
F506118	PROPELLER SHAFT SEAL	43	-	F530160	REED (5 PETAL)	15	18
F506118	SEAL, DRIVESHAFT	41	52	F531892	DECAL, PORT	47	-
F506118	SEAL, PROPELLER SHAFT	39	9	F532299	WASHER, PROPELLER SPLINE	39	17
F510374	DECAL, CIRCUIT BREAKER - USA	5	41	F53504	GROMMET	17	76
F510460	CIRCUIT BREAKER	5	22	F545189	BUSHING, CABLE ENTRY	3	17
F511125-2	TUBE, STEERING SUPPORT	31	64	F548984	BLANKET, SILENCER - TOP (NOT SHOWN)	3	-
F511125-2	TUBE, STEERING SUPPORT	33	39	F548985	BLANKET, SILENCER - SIDE (NOT SHOWN)	3	-
F511675	STARTER BRACKET, LOWER	13	17	F549189	BUSHING, ELECTRIC CABLE	3	16
F523031	GASKET, WATER PUMP	41	57	F563	TERMINAL BLOCK KIT	61	-
F523031	GASKET, WATER PUMP	43	-	F58685-2	CONNECTOR, SHIFT CABLE	47	2
F523057	BEARING, DRIVESHAFT LOWER	41	66	F590	REMOTE CONTROL - FLUSH MOUNT	59	-
F523065-1	IMPELLER	43	-	F596	CHRYSLER OUTBOARD OIL	61	-
F523065-1	WATER PUMP IMPELLER	41	59	F597	CHRYSLER OUTBOARD GEAR LUBE	61	-
F523094-2	PROPELLER NUT	39	13	F5H014	FLUSHING ADAPTER	59	-
F523099-1	SPACER, PROPELLER	39	19	F5H018	DUAL STEERING CONNECTOR	59	-
F523116	EXHAUST SNOOT	41	38	F5H019	ANTI-CORROSION KIT	59	-
F523133-2	MOTOR LEG	29	14	F5H021	EXTENSION CABLE	60	-

PARTS INDEX

Part Number	Description	Pg.	Ref. No.	Part Number	Description	Pg.	Ref. No.
F5H025	ANTI-CORROSION SACRIFICIAL ANODE	59	-	F5H132	REMOTE CONTROL HANDLE TRIM SWITCH	59	-
F5H026	FUEL TANK (ACCESSORY ITEM)	45	2	F5H134	BOAT WHITE LACQUER . . .	59	-
F5H026	STEEL, 6 GALLON FUEL TANK (LOW PROFILE) . . .	59	-	F5H149	POWER TRIM	60	-
F5H028	SENDING UNIT	60	-	F5H151	SHOCK ABSORBER KIT . . .	60	-
F5H029	TANK ANCHOR	59	-	F5H153	TACHOMETER FLUSH MOUNT	60	-
F5H030	SWITCH KIT - RUNNING LIGHTS	61	-	F5H154	SPEEDOMETER FLUSH MOUNT	60	-
F5H031	SWITCH KIT - SPOT LIGHT .	61	-	F5H155	SPEEDOMETER FLUSH MOUNT	60	-
F5H032	SWITCH KIT - WIPER	61	-	F5H156	TEMPERATURE GAUGE FLUSH MOUNT	60	-
F5H034	SWITCH KIT - BILGE PUMP .	61	-	F5H157	VOLTMETER - FLUSH MOUNT	60	-
F5H035	SWITCH KIT - HORN	61	-	F5H159	HOURMETER	60	-
F5H036	SWITCH KIT - TACHOMETER TRANSFER	61	-	F5H161	POWER TRIM INDICATOR .	59	-
F5H037	CIGAR LIGHTER	60	-	F63754	HOSE INTAKE DRAIN	17	74
F5H038	IGNITION SWITCH MOUNTING KIT (ACCESSORY ITEM)	7	48	F7004	STOP NUT, 3/18 - 16	23	46
F5H038	SWITCH KIT - IGNITION SWITCH	61	-	F7012	LOCK NUT, 1/2 - 20	29	25
F5H039	SWITCH KIT - INSTRUMENT LIGHT	61	-	F7012	LOCK NUT, 1/2 - 20	33	29
F5H040	STEEL, 12 GALLON FUEL TANK	59	-	F7013	STOP NUT	9	2
F5H041	BATTERY TERMINAL KIT . .	60	-	F71H26	BATTERY CABLE CLAMP KIT. (ACCESSORY ITEM) .	5	32
F5H043	OVERHEAT BUZZER	59	-	F74305	GEAR HOUSING COVER SEAL	43	-
F5H043	OVERHEAT BUZZER (ACCESSORY ITEM)	5	36	F74305	SEAL, DRIVESHAFT BEARING CAGE	41	51
F5H044	TILT STOP KIT	59	-	F762	REMOTE ELECTRIC CABLE .	60	-
F5H059	CHRYSLER OUTBOARD MULTI-PURPOSE GREASE	61	-	F8003	PLAIN WASHER	21	31
F5H060	CHRYSLER OUTBOARD GREASE GUN	61	-	F8011	PLAIN WASHER	5	20
F5H068	RFI SUPPRESSION KIT	60	-	F8026	PLAIN WASHER	15	26
F5H070	REMOTE ELECTRIC CABLE	60	-	F8028	PLAIN WASHER	13	15
F5H075	WIRING HARNESS - IGNITION SWITCH (24") . .	61	-	F8038	PLAIN WASHER	23	45
F5H076	SWITCH EXTENSION CABLE - 5 FT.	60	-	F8038	PLAIN WASHER	29	18
F5H077	IGNITION KEY SWITCH	60	-	F8038	PLAIN WASHER	33	18
F5H078	IGNITION KEY SWITCH	60	-	F8056	LOCKWASHER	9	18
F5H078	IGNITION SWITCH (LONG BARREL)	5	34	F8056	LOCKWASHER	11	43
F5H079	SINGLE REMOTE CONTROL BOX	59	-	F8056	SPRING LOCKWASHER . . .	5	7
F5H080	TWIN REMOTE CONTROL BOX	59	-	F8056	SPRING LOCKWASHER . . .	25	77
F5H081	BATTERY CABLE	60	-	F8058	INTERNAL TOOTH LOCKWASHER	15	28
F5H094	STEERING LINK KIT	59	-	F8058	INTERNAL TOOTH LOCKWASHER	23	69
F5H108	STEERING CONNECTOR . .	59	-	F8077	WASHER	43	-
F5H115	TRAILERING TILT LOCK . . .	60	-	F8077	WASHER, GEAR HOUSING PLUG	41	43
F5H119	PROPELLER SPACER (FLARED)	60	-	F8080	HELICAL SPRING LOCKWASHER	33	21
F5H120	REMOTE CONTROL BACK PLATE	59	-	F8080	SPRING LOCKWASHER . . .	29	21
F5H130	REMOTE CONTROL - SURFACE MOUNT	59	-	F8083	LOCKWASHER	3	26
F5H131	PORT SIDE DECAL KIT	59	-	F8083	SPRING LOCKWASHER . . .	7	43
				F8083	SPRING LOCKWASHER . . .	29	2
				F8083	SPRING LOCKWASHER . . .	33	2
				F8083	SPRING LOCKWASHER . . .	41	54
				F8083	SPRING LOCKWASHER . . .	43	-
				F8088	PLAIN WASHER	15	40
				F8088	PLAIN WASHER	17	59
				F8094	PLAIN WASHER	35	67
				F8094	WASHER, PLAIN	3	25

PARTS INDEX

Part Number	Description	Pg.	Ref. No.	Part Number	Description	Pg.	Ref. No.
F8095	PLAIN WASHER	21	4	F85162	REED PLATE ADAPTER	15	21
F8096	LOCKWASHER	3	21	F85168	CARBURETOR ADAPTER		
F8096	LOCKWASHER	3	35		FLANGE GASKET	23	-
F8096	SPRING LOCKWASHER	5	25	F85168	GASKET REED PLATE		
F8096	SPRING LOCKWASHER	31	56		ADAPTER	15	20
F8096	SPRING LOCKWASHER	35	71	F85173	RETAINING RING	9	6
F8096	SPRING LOCKWASHER	41	40	F85192-1	THROTTLE CAM	15	34
F84011	WASHER	31	47	F85210	STUD	21	8
F84011	WASHER	35	63	F85211	STUD, REAR	25	87
F84074	CLAMP SCREW FOOT	29	30	F85253-1	FUEL LINE	17	54
F84074	CLAMP SCREW FOOT	33	34	F85258	INSERT	29	4
F84146-2	SEAL	27	20	F85258	INSERT	33	4
F84278	CRANKSHAFT BRG. CAGE			F85279-2	CYLINDER EXHAUST		
	SEAL	23	-		GASKET, UPPER	23	66
F84278	SEAL, CRANKSHAFT			F85300	REVERSE LOCK SPRING	35	45
	BEARING CAGE	27	17	F85311	DISTRIBUTOR BELT	9	1
F84286-1	FRICTION WASHER	29	39	F85314-1	FUEL FITTING	17	53
F84286-1	FRICTION WASHER	35	57	F85317-1	CLAMP	17	49
F84305	PROPELLER SHAFT SPOOL			F85350-1	TILT STOP PIVOT	33	25
	SEAL	43	-	F85372	PIN, GEAR SHIFT ROD		
F84305	SEAL, PROPELLER SHAFT				LOWER	41	48
	BEARING SPOOL	39	12	F8538	SPRING PIN	29	32
F84307-1	DRIVESHAFT SEAL	43	-	F8538	SPRING PIN	33	36
F84314-2	ELBOW	15	4	F85380	SPRING	29	6
F84314-2	ELBOW	23	44	F85380	SPRING	33	6
F84342	SEAL, INLET WATER LINE			F85410	SNAP RING	27	8
	UPPER	39	3	F85426	TILT STOP	35	58
F84449	INTERLOCK SWITCH	17	43	F85445	DISTRIBUTOR CONTROL		
F84504	GROMMET	25	81		ROD	21	38
F84504	THERMOSTAT GROMMET	23	-	F85453-1	CYLINDER, EXHAUST -		
F84521-1	CLUTCH	39	27		LOWER GASKET	23	-
F84792	GASKET, FUEL PUMP			F85472-2	CYLINDER DRAIN COVER		
	VALVE	15	9		GASKET	23	-
F84871-1	PIN, GEAR SHIFT	39	25	F85472-2	GASKET, CYLINDER DRAIN		
F85017	PISTON PIN	27	4		COVER	21	29
F85026	SWIVEL	23	43	F85498	FLYWHEEL KEY	27	16
F85033	CHOKE ROD SWIVEL	17	45	F85502	THROTTLE LINK	21	17
F85035	DISTRIBUTOR CONTROL			F85509-1	CHOKE LINK	17	55
	ROD END	21	41	F85541-1	TILT LOCK	33	27
F85036	TOWERSHAFT CONTROL			F85571	BEARING CAGE W/ROLLER	27	10
	ROD END	21	37	F85606	KINGPIN CAP	31	48
F85037-1	STERN BRACKET PIVOT			F85606	KINGPIN CAP	35	75
	BOLT	29	38	F85610	BEARING	23	58
F85037-1	STERN BRACKET PIVOT			F85615	GEAR SHIFT ROD - UPPER	31	58
	BOLT	35	56	F85615	GEAR SHIFT ROD, UPPER	35	82
F85095-2	STATOR	5	3	F8563	DOWEL PIN	21	10
F85117	BRACKET, WATER LINE	39	2	F85634-2	CONNECTING ROD SCREW	27	14
F85122	CRANKCASE SEAL	23	-	F85660-1	EXHAUST TUBE	29	1
F85122	PARTING LINE SEAL	21	11	F85660-1	EXHAUST TUBE	33	1
F85130	BOOT, IDLE EXHAUST	29	5	F85664	DISTRIBUTOR GROUND	9	28
F85130	BOOT, IDLE EXHAUST	33	5	F85664	WIRE, DISTRIBUTOR		
F85151-1	EXHAUST PORT PLATE	25	95		GROUND	7	50
F85152-4	EXHAUST PORT COVER	25	96	F85704	COUPLER, GEARSHIFT ROD		
F85154-1	EXHAUST PORT PLATE				- UPPER	31	57
	GASKET	23	-	F85704	COUPLER, GEARSHIFT		
F85154-1	GASKET, EXHAUST PORT				ROD, UPPER	35	70
	PLATE	25	94	F85748-2	CYLINDER DRAIN REED		
F85159	GASKET, INTAKE MANIFOLD	15	22		PLATE GASKET	23	-
F85159	MANIFOLD GASKET	23	-	F85748-2	GASKET, CYLINDER DRAIN		
F85161-1	REED STOP	15	17		REED PLATE	21	40

PARTS INDEX

Part Number	Description	Pg.	Ref. No.	Part Number	Description	Pg.	Ref. No.
F85762	BY-PASS VALVE PLATE			FA449149	COVER	51	27
	GASKET	23	-	FA480010	CYLINDER ASSEMBLY	25	88
F85762	GASKET, BY-PASS VALVE	25	91	FA480179	TRIM, TOP	3	1
F85772	CLAMP	29	7	FA480269	HANDLE, TILT	3	3
F85772	CLAMP	33	7	FA480876	GEAR SHIFT ARM	23	60
F85779-1	BAFFLE, AIR INTAKE	31	51	FA480894	TIMING POINTER	21	1
F85779-1	BAFFLE, AIR INTAKE	35	79	FA481469	LATCH HANDLE, ENGINE		
F85843-1	REMOTE ELECTRIC CABLE, 18 FEET	5	38	FA481743	COVER W/SHAFT	3	12
F85859	STUD, FORWARD	21	12	FA498266	LATCH, ROLLER BRACKET W/ROLLER	3	36
F85906	CARBURETOR GASKET	15	35	FA510497	BEVEL PINION GEAR	41	35
F85906	CARBURETOR GASKET	23	-	FA523014	TERMINAL BLOCK	5	15
F85908	STARTER LEAD WIRE	13	13	FA523054	CRANKSHAFT LOWER MAIN BEARING	27	12
F85916-1	BY-PASS VALVE	25	89	FA523098	GEAR HOUSING	41	42
F85924	CHOKE SOLENOID	5	28	FA523485	PROPELLER SHAFT ASSEMBLY	39	24
F85925	CHOKE ROD	17	46	FA523735	ANTI-CORROSION ANODE	39	21
F85965	SHOCK MOUNT, UPPER	31	59	FA548180	SEAL, INLET WATER LINE LOWER	41	65
F85965	SHOCK MOUNT, UPPER	35	81	FA548888	TRIM, REAR	3	5
F89758	FUEL PUMP AIR HOSE, TOP	15	5	FA548888	TRIM, FRONT	3	37
F9018	CAP	29	37	FA549944	COVER, ENGINE	3	6
F9018	CAP	35	51	FA579386	DECAL, NUMERAL	3	11
F9052	PLUG	31	45	FA58976-1	CONNECTOR, THROTTLE CABLE	47	1
F9052	PLUG	33	37	FA84621-1	COUPLING, GEAR SHIFT ARM W/BUSHING	41	45
F90619-1	YOKE	43	73	FA84754-1	FUEL LINE SHORT	45	8
F90807	RETAINING RING	19	98	FA85018-2	CRANKSHAFT	27	15
F9095	SHIM, DRIVESHAFT BEARING UPPER .005 - SILVER	41	-	FA85019	KINGPIN	29	34
F9097	SHIM, DRIVESHAFT BEARING UPPER .010 - BLACK	41	-	FA85019	KINGPIN	33	42
F9106	SHIM, DRIVESHAFT BEARING UPPER .003 - BRASS	41	67	FA85135-4	LEG COVER, FRONT	31	49
F91446-1	CIRCUIT BREAKER BRACKET	5	21	FA85135-4	LEG COVER, FRONT	35	74
F92759	THROTTLE ROLLER	19	92	FA85193	TIE BAR END W/SWIVEL	19	97
F93811	SCREEN	21	34	FA85355-1	WASHER SHOCK MOUNT UPPER	31	62
F93920	REED STOP	21	32	FA85355-1	WASHER SHOCK MOUNT UPPER W/WASHER	37	85
F97772	FUEL LINE CLAMP	45	11	FA85511	THROTTLE TIE BAR W/SWIVEL	19	101
F97772	HOSE CLAMP	17	51	FA85655-1	CRANKSHAFT MAIN BEARING RACE	27	9
F98273	ROD END CONNECTOR STUD	23	68	FA85838-5	TOWERSHAFT	21	19
FA14048-2	PREAMPLIFIER	9	17	FB368700	KEY IGNITION - STAMPED B	7	-
FA15072	HEX LOCK NUT, 1/4 - 20 W/LOCKWASHER	13	12	FC368700	KEY IGNITION - STAMPED C	7	-
FA17559	LIFT CYLINDER COMPLETE	51	40	FC409398	DECAL, TOTE TANK - CANADA (NOT SHOWN)	45	-
FA17561-1	O-RING	51	42	FC499390	DECAL, STARTER (CANADA) NOT SHOWN	13	-
FA178962	SHOCK ABSORBER	53	46	FC510374	DECAL, CIRCUIT BREAKER - CANADA	7	-
FA321574	DISTRIBUTOR BRACKET	9	10	FC522227	SPARK PLUG (CHAMPION QUL-77V) - CANADA	25	-
FA335260	PISTON RING SET (3 PER SET) STANDARD	27	1	FC548010	SHORT BLOCK	25	-
FA368700	KEY, IGNITION - NO LETTER OR STAMPED A	7	53	FC550054	GEAR HOUSING COMPLETE	41	-
FA411222	TRANSFER PORT COVER	23	48	FD368700	KEY IGNITION - STAMPED D	7	-
FA438113	STERN BRACKET LOCK BAR	35	52	FE368700	KEY IGNITION - STAMPED E	7	-
FA438431	FUEL PUMP BODY	15	10	FG1020	GASKET SET	23	71
FA438493	TERMINAL BLOCK BRACKET	5	11	FK10000	GASKET SET.	19	105
FA439746	FUEL PUMP COVER	15	1				
FA449015	PISTON	51	29				

PARTS INDEX

Part Number	Description	Pg.	Ref. No.	Part Number	Description	Pg.	Ref. No.
FK10055	REPAIR PARTS KIT.	17	65	FT11205	BEARING		
FK1063-1	SEAL KIT	43	74		INSTALLER/REMOVER ..	56	-
FK1069	WATER PUMP KIT	43	75	FT11207	BEARING CUP REMOVER ..	56	-
FK1123	SPARKIE	11	44	FT11209	BEARING GUIDE SET	56	-
FK17114-1	INDICATOR (756H2H, 756B2H)	47	-	FT2938-1	CONTINUITY TESTER	57	-
FK405020	SWIVEL W/PIVOT SCREW AND NUT	21	24	FT2951	CIRCUIT TRACER	57	-
FK550128	DRIVESHAFT	43	69	FT2953	SOCKET	55	-
FK85228-1	BEARING CAGE W/ROLLER	27	7	FT2961	LUBRICANT - RYKON GREASE #2EP	58	-
FO10165	INLET SEAT GASKET	17	63	FT2962-1	SEALANT - 50 CC LOCTITE H, NON-HARDENING GRADE	58	-
FO10588	BODY CHANNEL CUP PLUG	19	88	FT2963-2	SEALANT - 2 OZ. LOCTITE D, HARDENING GRADE ..	58	-
FO10790	INLET NEEDLE, SEAT AND GASKET	17	64	FT2987-1	LUBRICANT - ANTI-SEIZE ..	58	-
FO11103	IDLE SCREW SPRING	17	83	FT2990	PISTON PIN TOOL	55	-
FO13552	FUEL BOWL	17	68	FT2991	CARBON BRUSH	55	-
FO13554	FLOAT	17	71	FT2996	RING COMPRESSOR	55	-
FO13944	FLOAT LEVER PIN	17	70	FT2998	TORQUE WRENCH (0 - 100 LBS./FT.)	55	-
FO13945	FUEL BOWL RETAINING SCREW	17	66	FT2999	TORQUE WRENCH (0 - 600 LBS./FT.)	55	-
FO13966	IDLE TUBE	19	86	FT3012	SEAL INSTALLER	56	-
FO14108	MAIN FUEL JET (.064) OPT. 1500 FT. - 3000 FT.	19	-	FT7848	TORQUE ADAPTER	56	-
FO14166	IDLE SCREW	17	82	FT8900	HOSE CLAMP PLIERS	55	-
FO14167	THROTTLE SHUTTER	19	93	FT8901	INDICATOR HOLDER	56	-
FO14186	MAIN FUEL JET (.060) OPT. 4500 FT. - 6000 FT.	19	-	FT8902	DIAL INDICATOR	56	-
FO14187	MAIN FUEL JET (.062) OPT. 3000 FT. - 4500 FT.	19	-	FT8903	SEAL INSTALLER	55	-
FO14188	MAIN FUEL JET (.066) STD. SEA LEVEL - 1500 FT.	17	84	FT8907	DRIVER HANDLE	55	-
FO14471	CHOKE SHUTTER	19	96	FT8907	DRIVER HANDLE	56	-
FO15209	MAIN NOZZLE	17	69	FT8914	SEAL REMOVER	55	-
FO15230	THROTTLE SHAFT AND LEVER	19	90	FT8918	BEARING GUIDE SET	56	-
FO15337	MAIN FUEL JET (.058) OPT. 6000 FT. & UP	19	-	FT8919	SPRING PIN PUNCH	56	-
FO15623	FUEL BOWL GASKET	17	72	FT8925	SEAL INSTALLER	55	-
FO16008	THROTTLE SHAFT RETURN SPRING	19	85	FT8925	SEAL INSTALLER	56	-
FO16397	CHOKE SHAFT RETURN SPRING	17	61	FT8926	RING EXPANDER	55	-
FO16850	CHOKE SHAFT AND LEVER	17	62	FT8930-1	FEELER GAUGE SET	56	-
FO2510	GASKET, FUEL BOWL RETAINING SCREW	17	67	FT8933	LIFTING HOOK	55	-
FO4326	BODY CHANNEL WELCH PLUG	19	87	FT8935	SEALANT PRIMER - 6 OZ. ..	58	-
FO8942	SHUTTER SCREW W/LOCKWASHER	19	95	FT8936-1	SEALANT - 2 CC LOCTITE RETAINING COMPOUND #75	58	-
FO8942	THROTTLE SHUTTER SCREW AND LOCKWASHER	19	94	FT8948-1	PULLER	54	-
FPS523	PROPELLER (ACCESSORY ITEM)	39	18	FT8948-1	PULLER	56	-
FS409752	FUEL LINE COMPLETE.	45	-	FT8950	LEAKAGE TESTER	57	-
FS85872-1	BRACKET	23	70	FT8953	IGNITION TESTER	57	-
FSA335260	PISTON RINGS (3 PER SET) .010 OVERSIZE	27	-	FT8955	SEALANT - 5 OZ. EC-750 INDUSTRIAL SEALANT ..	58	-
FT1082	SNAP RING PLIER	55	-	FT8957	SEAL INSTALLER	56	-
FT11204	BEARING CUP INSTALLER ..	56	-	FT8969	LUBRICANT - 7 OZ. L PSI LUBRICANT	58	-
				FT8978	TIMING LIGHT	54	-
				FT8983	SEALANT - 3 OZ. RTV SEALANT FROM IN PLACE OF GASKETS	58	-
				FT8985	SEAL INSTALLER	56	-
				FTA2937-1	TIMING TOOL	54	-
				FTA8997	SHIM TOOL	56	-
				FTK8999	TEST WHEEL	57	-

PARTS INDEX

Part Number	Description	Pg.	Ref. No.	Part Number	Description	Pg.	Ref. No.
22-817789A1	DRAIN FITTING						
	W/METERING CUP	17	73				
22-818103--1	ELBOW	15	31				
31-817785A2	CRANKSHAFT BEARING						
	CAGE	27	18				
32-817738A1	FUEL LINE LONG	45	10				
33-97180	SPARK PLUG (AC V40 FFM)	25	72				
39-818110A1	PISTON RINGS (3 PER SET)						
	.030 OVERSIZE	27	-				
46-817853A1	WATER PUMP	43	-				
46-817853A1	WATER PUMP BODY	41	60				
84-817775A1	COIL WIRE	9	29				
87-817778A1	THERMOSWITCH	25	76				
300-817855A1	UNIT	7	45				
600-818052A4	CONNECTING ROD	27	6				
700-817988A2	PISTON .010 OVERSIZE . . .	27	-				
700-818111A2	PISTON .030 OVERSIZE . . .	27	-				
700-F372015-3	PISTON (STANDARD)	27	2				
1400-817958A6	STERN BRACKET	29	24				
1400-817958A6	STERN BRACKET	33	28				