



PARTS CATALOG

85 H.P.

SERIAL NUMBER

85 (1982)858B2E
85 (1982)858H2E

TABLE OF CONTENTS:

ACCESSORIES	53
CARBURETOR	14
CRANKSHAFT AND PISTON	26
DISTRIBUTOR	10
ELECTRICAL COMPONENTS	4
ENGINE COVER AND SUPPORT PLATE	2
FUEL TANK AND LINE	38
GEAR HOUSING	32
MOTOR LEG	28
PARTS INDEX	56
POWER TRIM UNIT	44
POWERHEAD	20
REMOTE CONTROL	40
SPECIAL TOOLS - GEAR HOUSING	50
SPECIAL TOOLS - LUBRICANTS AND SEALANTS	52
SPECIAL TOOLS - POWER HEAD	49
SPECIAL TOOLS - TEST EQUIPMENT	51
SPECIAL TOOLS - TUNE-UP	48
STARTER	8

NOTE: Indented description indicate that these parts are included in preceeding assembly.

AR = As Required

NSS = Not Sold Separate

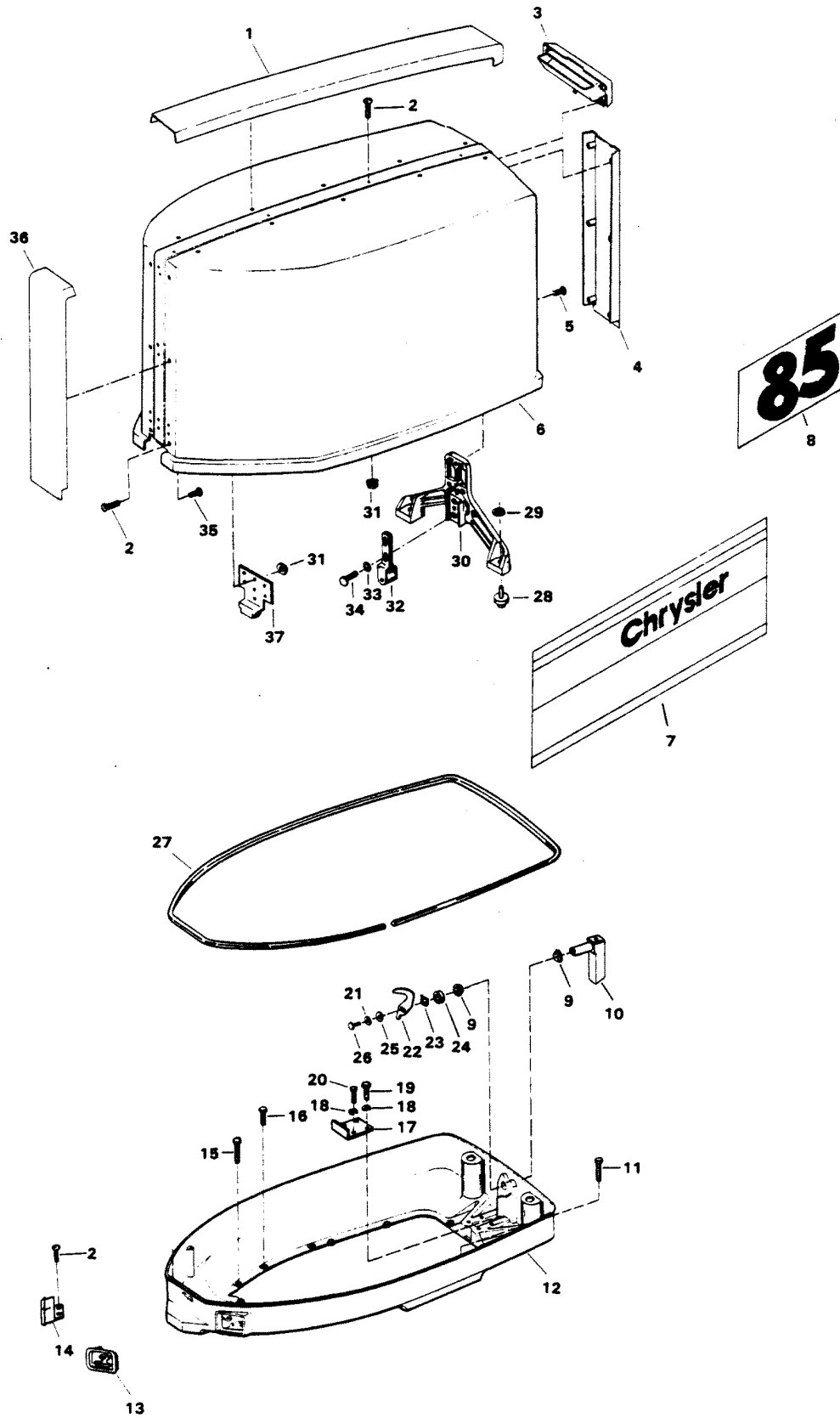
OPT = Optional

NS = Not Shown

THESE PARTS BOOKS/FICHE CARD ARE COPYRIGHTED AND MAY NOT BE DISTRIBUTED OR REPRODUCED IN ANY OTHER FORMAT BY ANYONE OTHER THAN MERCURY MARINE WITHOUT THE PRIOR WRITTEN CONSENT OF MERCURY MARINE.

THIS PAGE INTENTIONALLY LEFT BLANK

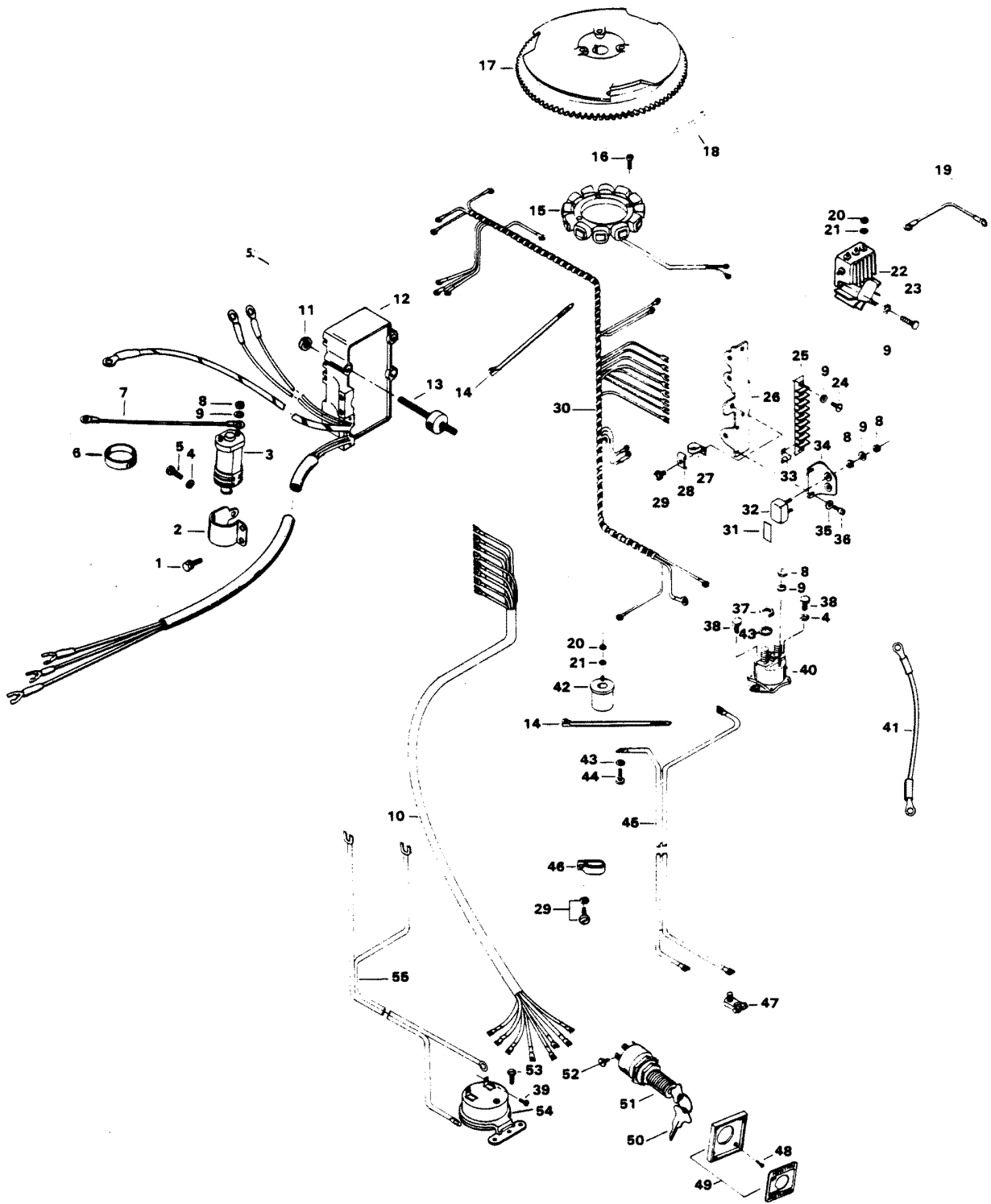
ENGINE COVER AND SUPPORT PLATE



ENGINE COVER AND SUPPORT PLATE

REF. NO.	PART NO.	SYM.	QTY.	DESCRIPTION
1	FA480179		1	TRIM, TOP W/LITERATURE
2	F1733		10	PAN HD SCREW, 10 - 24 X 9/16
3	FA480269		1	TILT HANDLE W/LITERATURE
4	FA548180		1	TRIM, REAR W/LITERATURE
5	F1730		3	PAN HD SCREW, W/SPRING LOCKWASHER, 1/4 - 20 X 5/8
-	F548984		1	BLANKET, SILENCER TOP (NOT SHOWN)
-	F548985		2	BLANKET, SILENCER SIDE (NOT SHOWN)
6	FA549944		1	ENGINE COVER W/ILLUS. 2, 31 AND 37
-	F3C611944		1	ENGINE COVER COMPLETE. INCLUDES ALL ITEMS MARKED WITH AN ASTERISK (*). ORDER NUMERAL SEPARATE
7	A611397		1	DECAL, PORT W/LITERATURE
-	A611396		1	DECAL, STARBOARD W/LITERATURE
8	FA583386		2	DECAL, NUMERAL W/LITERATURE
9	F480818		2	BEARING, LATCH SHAFT
10	FA481469		1	ENGINE COVER LATCH HANDLE W/SHAFT
11	F1864		6	HEX CAP SCREW, 1/4 - 20 X 3/4
12	F480038-2		1	SUPPORT PLATE
13	F549189		1	BUSHING, ELECTRIC CABLE
14	F545189		1	BUSHING, CABLE ENTRY
15	F1708		2	HEX HD CAP SCREW, 1/4 - 20 X 1-3/8
16	F1922		5	HEX SLOT HD SCREW, 1/4 - 20 X 5/8
17	F335654-1		1	DEFLECTION STOP
18	F8096		4	SPRING LOCKWASHER
19	F1857		2	HEX CAP SCREW, 5/16 - 18 X 5/8
20	F1858		2	HEX CAP SCREW, 5/16 - 18 X 1
21	F8083		1	SPRING LOCKWASHER
22	F481777		1	CAM, LATCH SHAFT
23	F2047		1	WAVE SPRING WASHER
24	F481382-1		1	SPACER, LATCH SHAFT
25	F8094		1	PLAIN WASHER
26	F1854		1	HEX CAP SCREW, 1/4 - 20 X 5/8
27	F321756		1	PACKING
28	F481434		2	GUIDE, ENGINE COVER
29	F2088		2	FASTENER
30	F481774		1	BRACKET, ENGINE COVER LATCH
31	F1473		7	HEX NUT, 10 - 24
32	FA481743		1	BRACKET, ROLLER LATCH W/ROLLER
33	F8096		2	SPRING LOCKWASHER
34	F1857		2	HEX CAP SCREW, 5/16 - 18 X 5/8
35	F2066		26	PAN HD TAPPING SCREW, 10 X 7/16
36	FA548888		1	TRIM, FRONT W/LITERATURE
37	F373778-1		1	RETAINER, ENGINE COVER

ELECTRICAL COMPONENTS

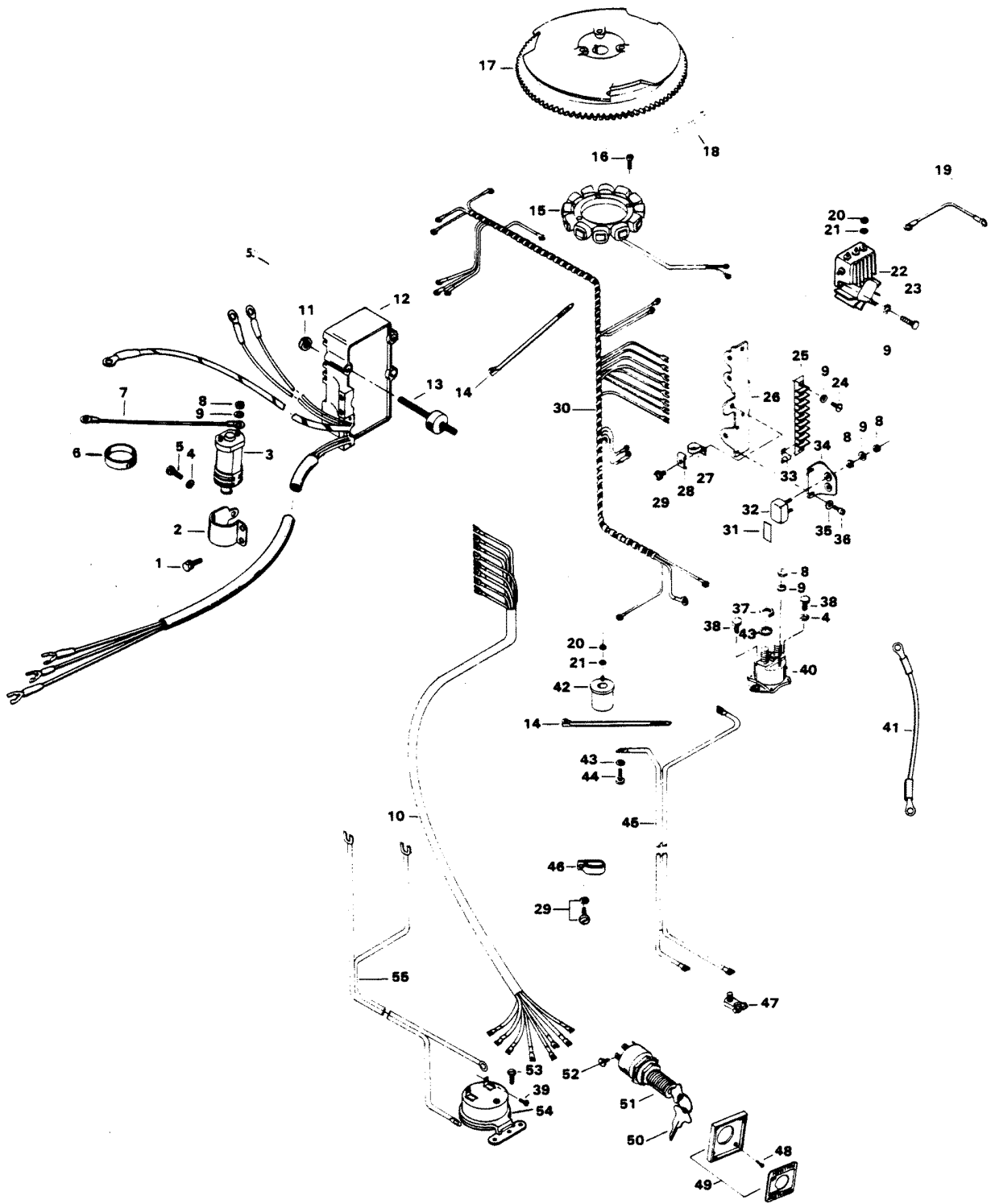


ELECTRICAL COMPONENTS

REF. NO.	PART NO.	SYM.	QTY.	DESCRIPTION
1	F1851		2	FILL HD SCREW W/LOCKWASHER, 10 - 24 X 1/2
2	F404513		1	COIL CLAMP
3	F345475-1		1	COIL
4	F8083		2	SPRING LOCKWASHER
5	F1689		1	HEX HD CAP SCREW, 1/4 - 20 X 1/2
6	F391983		2	BAND, RETAINING
7	F85664		1	GROUND WIRE
8	F1513		8	HEX NUT
9	F1975		10	SPRING LOCKWASHER
10	F85843-1		1	REMOTE ELECTRIC CABLE, 18 FEET
11	F1892		3	STOP NUT
12	300-817855A1		1	UNIT (ORIGINAL FORCE P/N A 523301-1)(Does not include Coil & Clamp)
13	F523962		3	SHOCK MOUNT, C.D. UNIT
14	F1877		2	TY-RAP
15	F85095-2		1	STATOR
16	F1087		6	FILL HD SCREW, 10 - 24 X 7/8
17	F404097		1	FLYWHEEL
18	F474387		1	TIMING DECAL
19	F345683		1	WIRE, REGULATOR-RECTIFIER GROUND
20	F1647		5	HEX NUT, 8 - 32
21	F8056		5	SPRING LOCKWASHER
22	F404470-1		1	REGULATOR-RECTIFIER
23	F2107		3	FILL HD SCREW, 10 - 24 X 5/8
24	F1648		2	PAN HD SCREW, 10 - 24 X 3/4
25	FA510497		1	TERMINAL BLOCK WILLUS. 24 ORIGINAL FORCE P/N K 289497-2
26	FA438493		1	TERMINAL BLOCK BRACKET WITH ITEMS 28, 29 AND LITERATURE
27	F289446-1		1	CLAMP
28	F438668		1	RETAINER, CABLE CLAMP
29	F1734		2	FILL HD SCREW W/LOCKWASHER, 1/4 - 20 X 1/2
30	F438744-1		1	WIRING HARNESS
31	F510374		1	DECAL, CIRCUIT BREAKER
-	FC510374		1	DECAL, CIRCUIT BREAKER (CANADA ONLY)
32	F510460		1	CIRCUIT BREAKER
33	F307317		1	CLIP, TERMINAL BLOCK
34	F91446-1		1	CIRCUIT BREAKER BRACKET
35	F8011		2	PLAIN WATER
36	F1760		2	PAN HD SCREW, 10 - 24 X 3/8
37	F1515		2	HEX NUT
38	F1705		2	HEX CAP SCREW, 1/4 - 20 X 3/4
39	F1645		2	RD HD SCREW, 6 - 32 X 1/4
40	F460917		1	STARTER RELAY

CONTINUED ON NEXT PAGE ➡

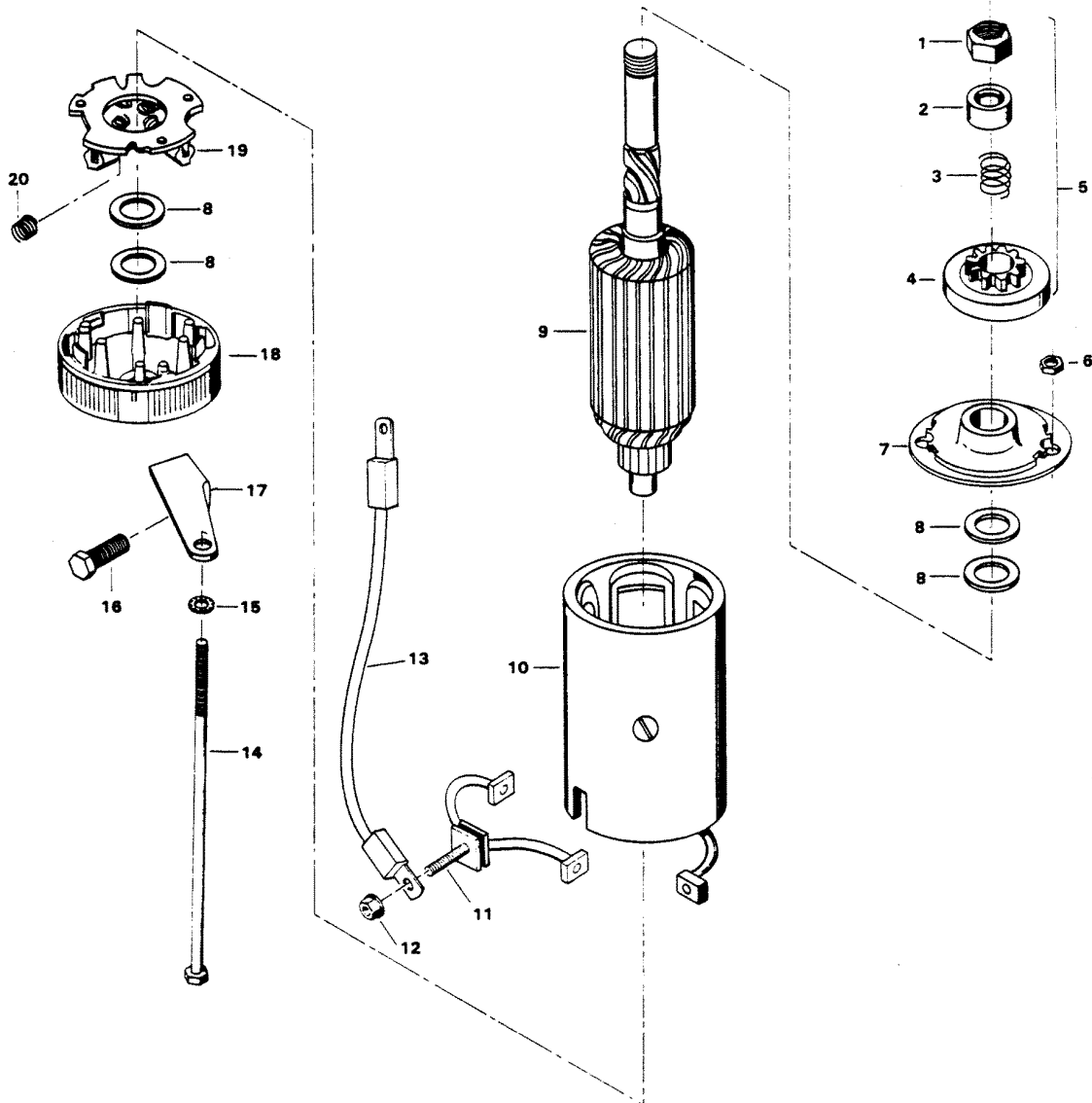
ELECTRICAL COMPONENTS



ELECTRICAL COMPONENTS

REF. NO.	PART NO.	SYM.	QTY.	DESCRIPTION
41	F319908		1	GROUND WIRE, CANADA
42	F85924		1	CHOKE SOLENOID
43	F8096		3	SPRING LOCKWASHER
44	F2000		1	HEX CAP SCREW, 5/16 - 18 X 3/4
45	F381896-4		1	BATTERY CABLE
46	F407446		1	CLAMP
47	F71H26		1	BATTERY TERMINAL KIT (ACCESSORY ITEM)
48	F1934		4	FLAT HD SLOTTED SCREW, 6 X 1/2
49	F5H038		1	IGNITION SWITCH MOUNTING KIT (ACCESSORY ITEM)
-	817892--1		1	PLATE, IGNITION SWITCH, CANADA (NOT SHOWN)
50	FA368700		1	IGNITION KEY - NO LETTER OR STAMPED A
-	FB368700		1	IGNITION KEY - STAMPED B
-	FC368700		1	IGNITION KEY - STAMPED C
-	FD368700		1	IGNITION KEY - STAMPED D
-	FE368700		1	IGNITION KEY - STAMPED E
51	F5H078		1	IGNITION SWITCH (LONG BARREL) W/KEYS AND SCREWS (ACCESSORY ITEM)
52	F1280		5	PAN HD SCREW, 8 - 32 X 1/4
53	F1741		2	PAN HD SCREW, 8 X 3/4
54	F5H043		1	OVERHEAT BUZZER (ACCESSORY ITEM)
55	F404841		1	CABLE, HEAT INDICATOR

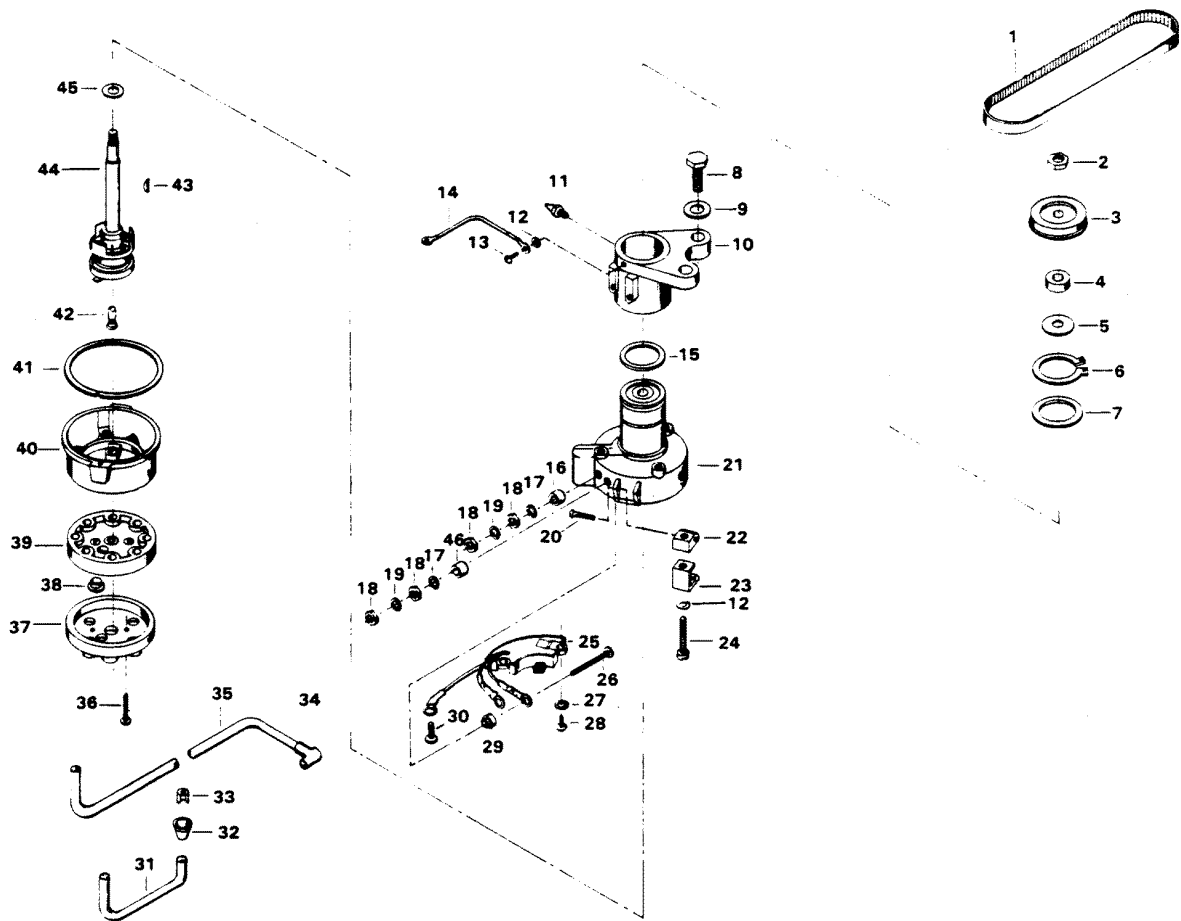
STARTER



STARTER

REF. NO.	PART NO.	SYM.	QTY.	DESCRIPTION
1	F15111		1	NUT, STOP RETAINING
2	F15112		1	STOP, PINION
3	F15080		1	SPRING
4	F15110		1	CLUTCH ASSEMBLY
5	F15100		1	BENDIX
-	F480955		1	STARTER - COMPLETE. INCLUDES ALL ITEMS MARKED WITH AN ASTERISK (*)
-	FC499390		1	DECAL, STARTER (CANADA) NOT SHOWN
6	F1641		2	LOCK NUT, 1/4 - 28
7	F15167		1	HEAD ASSEMBLY DRIVE END
8	F15126		1	THRUST WASHER PACKAGE
9	F15099		1	ARMATURE
10	15169		1	FRAME AND FIELD ASSEMBLY
11	F15165		1	BRUSH TERMINAL SET
12	FA15072		1	HEX LOCK NUT, 1/4 - 20 W/LOCKWASHER
13	F85908		1	STARTER LEAD WIRE
14	F15168		1	THRU BOLT PACKAGE
15	F8028		2	PLAIN WASHER
16	F1922		1	HEX HD SCREW, 1/4 - 20 X 5/8
17	F511675		1	STARTER BRACKET, LOWER
18	F15125		1	HEAD ASSEMBLY, COMMUTATOR END
19	F15057		1	BRUSH PLATE AND HOLDER
20	F15034		1	SPRING SET

DISTRIBUTOR

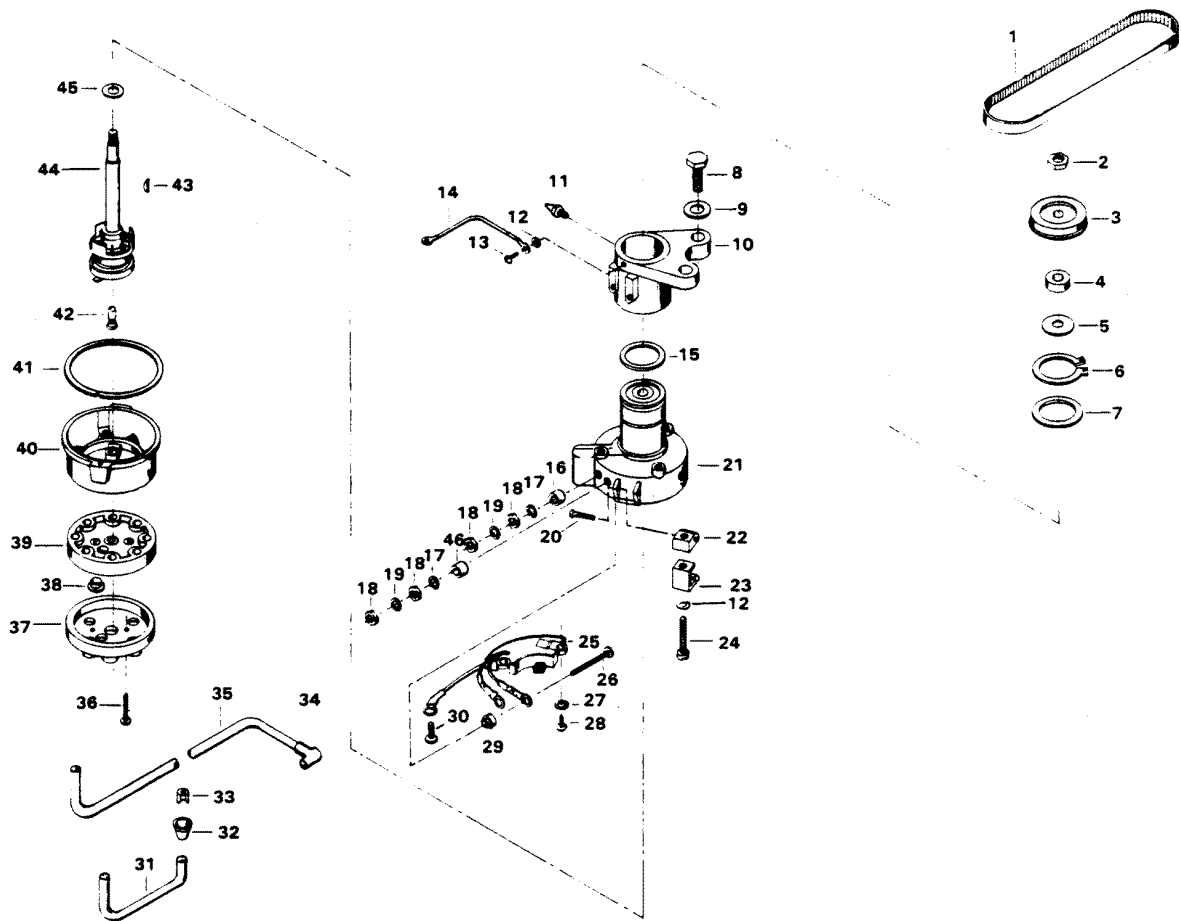


DISTRIBUTOR

REF. NO.	PART NO.	SYM.	QTY.	DESCRIPTION
1	F85311		1	DISTRIBUTOR BELT
2	F7013		1	STOP NUT
3	817786A1		1	DISTRIBUTOR PULLEY W/STOP NUT, WASHER AND LITERATURE
4	F14025		1	SPACER
5	F14028		1	THRUST WASHER
6	F85173		1	RETAINING RING
7	F14029		1	THRUST WASHER
8	F1612		2	HEX CAP SCREW, 3/8 - 16 X 1-1/4
9	F1778		2	PLAIN WASHER
10	FA321574		1	DISTRIBUTOR BRACKET W/ILLUS. 11, 12 AND 13
11	F213274		1	GREASE FITTING
12	F1975		2	SPRING LOCKWASHER
13	F1760		2	PAN HD SCREW, 10 - 24 X 3/8
14	F85664		1	DISTRIBUTOR GROUND
15	F1759		2	SHIM, DISTRIBUTOR (QTY. AS REQUIRED)
16	F14017		1	TERMINAL INSULATOR (OUTSIDE)
17	F14041		2	EXTERNAL TOOTH LOCKWASHER
18	F1647		4	HEX NUT, 8 - 32
19	F8056		2	LOCKWASHER
20	F14015		2	CAP CLIP RIVET
21	F14042		1	DISTRIBUTOR HOUSING W/BEARINGS
22	F14036		2	SWIVEL
23	F14037		2	CAP CLIPS
24	F14038		2	CAP CLIP SCREWS
25	FA14048-2		1	PREAMPLIFIER W/ILLUS. 27 AND SCREW
26	F14046		2	TERMINAL SCREW
27	F8056		2	LOCKWASHER
28	F14045		2	SCREW
29	F14047		2	TERMINAL INSULATOR (INSIDE)
30	F14056		1	SCREW
-	817822A1		1	DISTRIBUTOR - COMPLETE. INCLUDES ALL ITEMS MARKED WITH AN ASTERISK (*) ORIGINAL FORCE P/N A 480309-1
31	84-817775A1		1	COIL WIRE W/ILLUS. 32 AND 33 - USA ORIGINAL FORCE P/N A 321905-1
-	F438905		1	COIL WIRE - CANADA MODEL ONLY
32	F203276		1	BOOT
33	F203673		1	TERMINAL CLIP
34	FK1123		3	SPARKIE
35	F321841-3		3	LEAD WIRE
-	F438841-1		3	LEAD WIRE - CANADA MODEL ONLY
36	F14007		2	CAP SCREW
37	F14011-1		1	CAP COVER
38	F14040		2	VENT

CONTINUED ON NEXT PAGE ➡

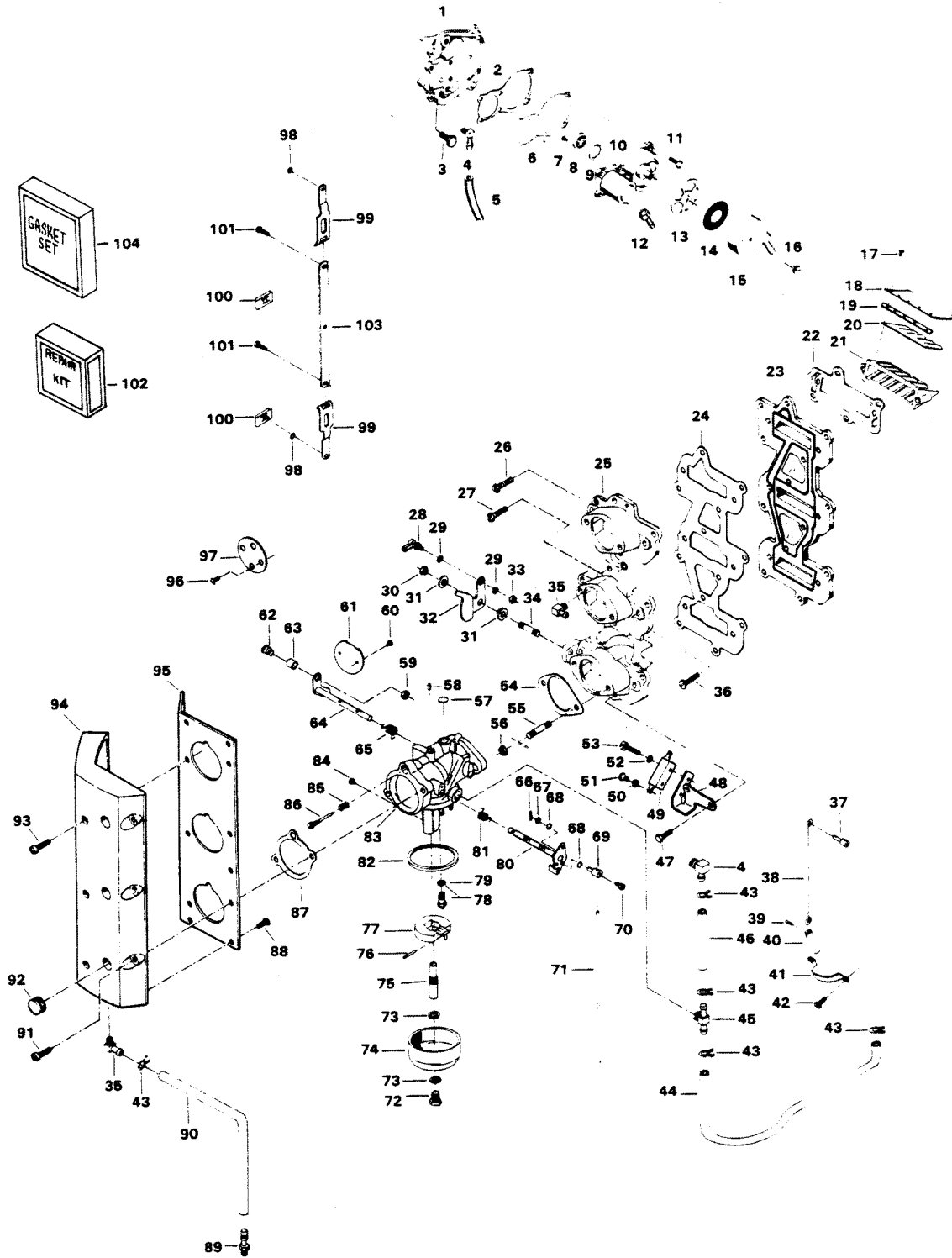
DISTRIBUTOR



DISTRIBUTOR

REF. NO.	PART NO.	SYM.	QTY.	DESCRIPTION
39	F14020-1		1	CAP SEAL
40	F14006-2		1	CAP BASE
41	F14030		1	CAP GASKET
42	F14012-1		1	BRUSH
43	F1692		1	WOODRUFF KEY
44	F14043		1	DISTRIBUTOR SHAFT
45	F14024		1	SPACER
46	F14049		1	TERMINAL INSULATOR (OUTSIDE)

CARBURETOR

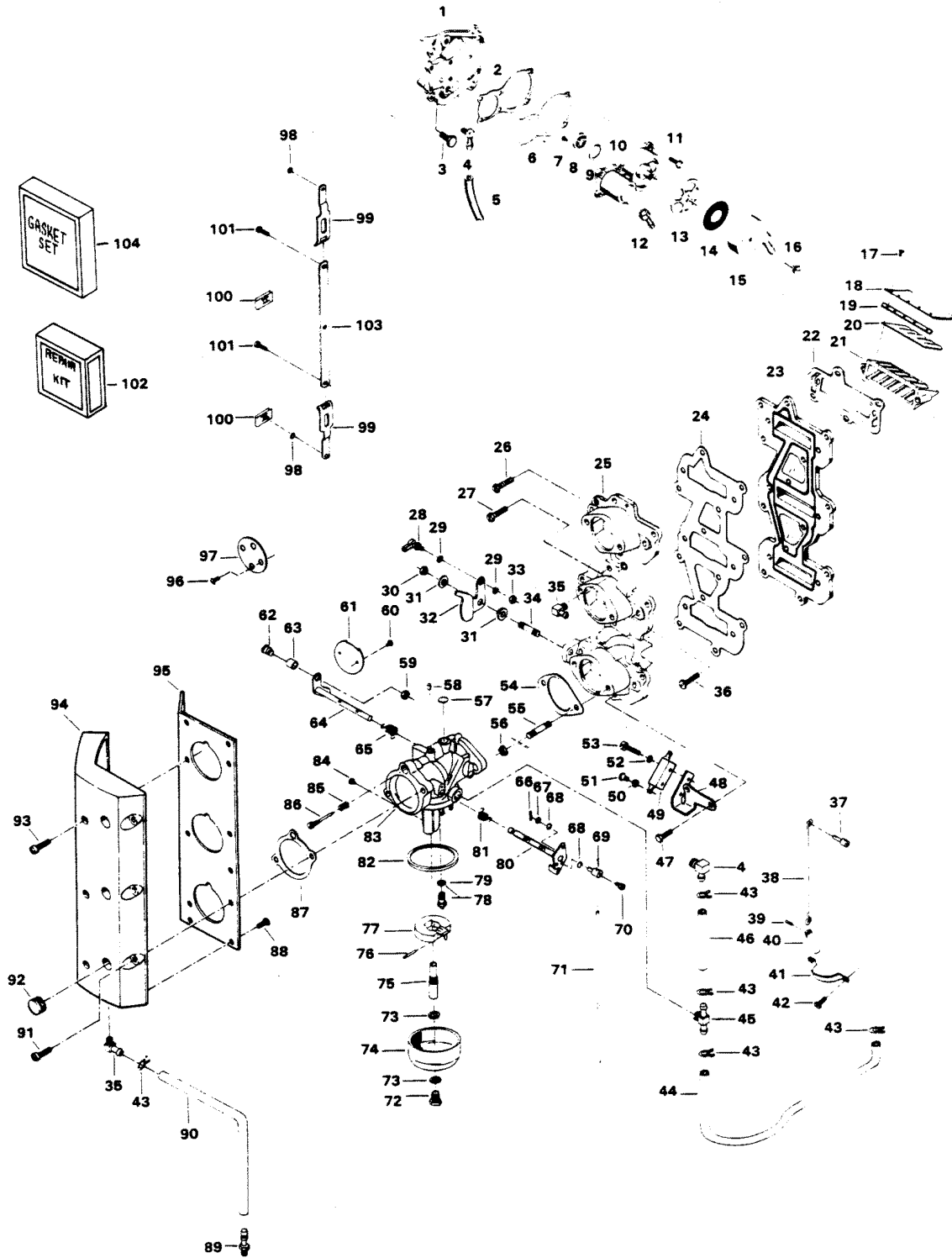


CARBURETOR

REF. NO.	PART NO.	SYM.	QTY.	DESCRIPTION
1	FA439746		1	FUEL PUMP COVER W/PLUG AND LITERATURE
2	F438760		1	FUEL PUMP GASKET
3	F1922		4	HEX CAP SCREW, 1/4 - 20 X 5/8
4	F84314-2		2	ELBOW
5	F89758		1	FUEL PUMP AIR HOSE, TOP
6	F438747		1	FUEL PUMP DIAPHRAGM
7	F1860		2	SLOTTED BINDING HD SCREW, 6 - 32 X 1/4
8	F177330		3	FUEL PUMP VALVE
9	F84792		1	GASKET, FUEL PUMP VALVE
10	FA438431		1	FUEL PUMP BODY W/ILLUS. 7, 8 AND 9
11	F1108		6	FILL HD SCREW W/LOCKWASHER, 1/4 - 20 X 3/4
12	F438801		1	FITTING
13	F438617		1	FUEL SEDIMENT BOWL GASKET
14	F438653		1	FUEL SEDIMENT BOWL SCREEN
15	F438500		1	FUEL SEDIMENT BOWL
16	F438165		1	SCREW, FUEL PUMP BOWL
17	F1755		30	RD HD SCREW W/LOCKWASHER, 6 - 32 X 5/16
18	F85161-1		6	REED STOP
19	F523451		6	SPACER, REED STOP
20	F530160		6	REED (5 PETAL)
21	F3A523158		3	REED PLATE W/ILLUS. 17, 18, 19 AND 20
22	F85168		3	GASKET REED PLATE ADAPTER
23	F85162		1	REED PLATE ADAPTER
24	F85159		1	GASKET, INTAKE MANIFOLD
25	817959A3		1	INTAKE MANIFOLD W/ILLUS. 36 AND LITERATURE ORIGINAL FORCE P/N K 480167-1
26	F2008		7	HEX HD SCREW, 1/4 - 20 X 7/8
27	F1916		2	HEX HD SCREW, 1/4 - 20 X 1-1/8
28	817747--1		1	BALL JOINT W/STUD
29	F8058		2	INTERNAL TOOTH LOCKWASHER
30	F1910		1	STOP NUT, 1/4 - 20
31	F269319		2	BEARING
32	F85192-1		1	THROTTLE CAM
33	F1513		1	HEX NUT, 10 - 32
34	F433209-1		1	STUD
35	22-818103--1		2	ELBOW
36	F2050		6	HEX HD SCREW, 1/4 - 20 X 1-1/2
37	F85033		1	CHOKE ROD SWIVEL
38	F85925		1	CHOKE ROD
39	F2033		1	GROOVE PIN
40	F391926-1		1	CHOKE SOLENOID PLUNGER
41	F85317-1		1	CLAMP
42	F1236		2	HEX HD SCREW, 1/4 - 20 X 1/2

CONTINUED ON NEXT PAGE ➡

CARBURETOR

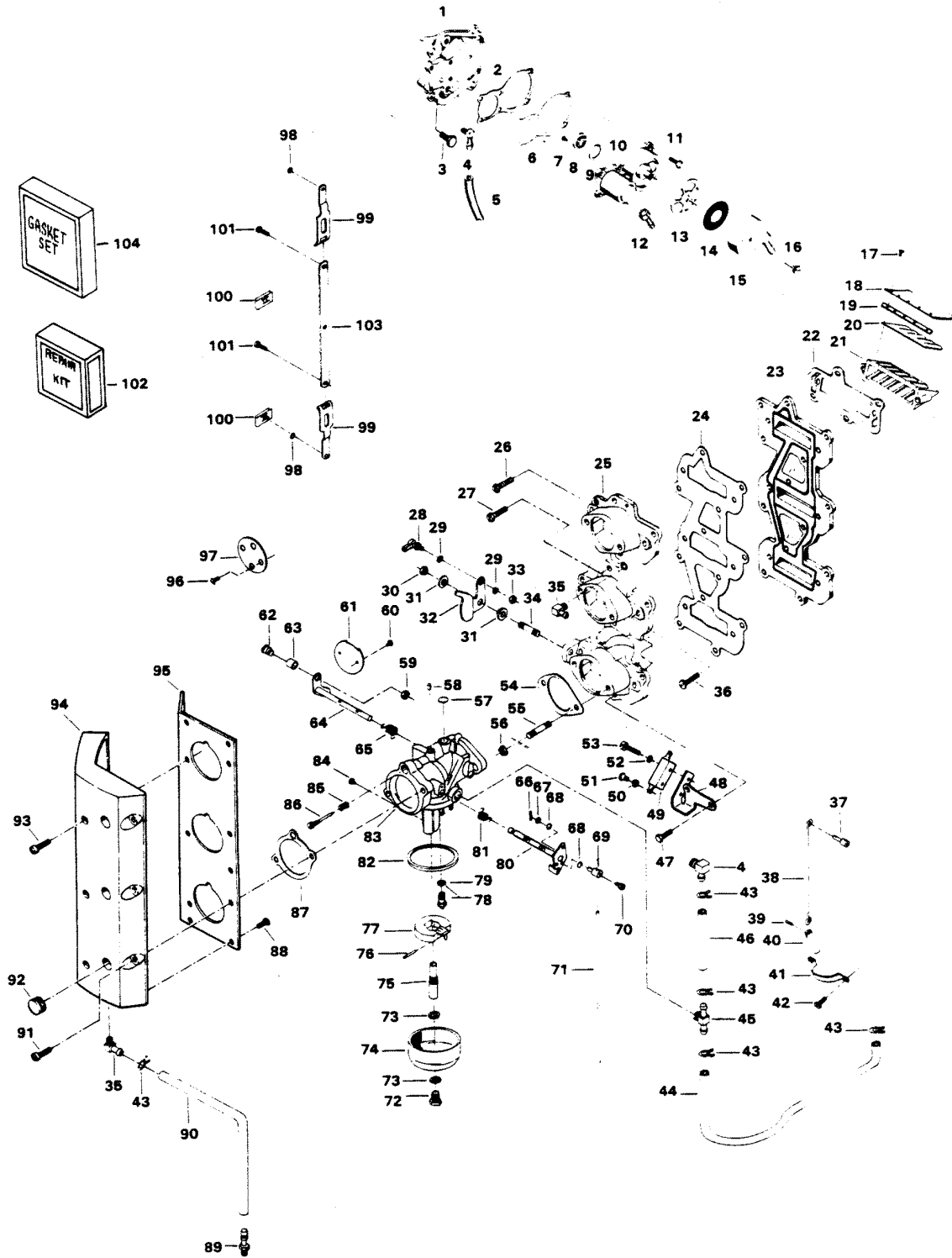


CARBURETOR

REF. NO.	PART NO.	SYM.	QTY.	DESCRIPTION
43	F97772		6	HOSE CLAMP
44	F438754		1	FUEL LINE
45	F85314-1		2	FUEL FITTING
46	F85253-1		2	FUEL LINE
47	F1532		3	HEX HD SCREW, 1/4 - 20 X 1
48	F480551-1		1	BRACKET INTERLOCK SWITCH
49	F84449		1	INTERLOCK SWITCH
50	F1704		2	INTERNAL TOOTH LOCKWASHER
51	F1645		2	RD HD SCREW, 6 - 32 X 1/4
52	F8088		2	PLAIN WASHER
53	F2016		2	FILL HD SCREW, 6 - 32 X 7/8
54	F85906		3	CARBURETOR GASKET
55	F40209		6	CARBURETOR STUD
56	F1515		6	HEX NUT, 5/16 - 18
57	FO4326		1	BODY CHANNEL WELCH PLUG
58	FO10588		1	BODY CHANNEL CUP PLUG
59	F1997		1	STOP NUT, 8 - 32
60	FO8942		2	THROTTLE SHUTTER SCREW AND LOCKWASHER
61	FO16851		1	THROTTLE SHUTTER
62	F333316		1	THROTTLE ROLLER SHAFT
63	F92759		1	THROTTLE ROLLER
64	FO15230		1	THROTTLE SHAFT AND LEVER
65	FO16008		1	THROTTLE SHAFT RETURN SPRING
66	F1014		3	COTTER PIN
67	F8088		3	PLAIN WASHER
68	F184579		6	SEAL, CHOKE ARM SWIVEL
69	F184033-1		2	CHOKE ARM SWIVEL
70	F1059		3	FILL HD SCREWS, S.S., 6 - 32 X 1/4
71	F85509-1		1	CHOKE LINK
72	FO13945		1	FUEL BOWL RETAINING SCREW
73	FO2510		2	GASKET, FUEL BOWL RETAINING SCREW
74	FO13552		1	FUEL BOWL
75	FO15217		1	MAIN NOZZLE
76	FO13944		1	FLOAT LEVER PIN
77	FO13554		1	FLOAT
78	FO10790		1	INLET NEEDLE, SEAT AND GASKET
79	FO10165		1	INLET SEAT GASKET
80	FO16850		1	CHOKE SHAFT AND LEVER
81	FO16397		1	CHOKE SHAFT RETURN SPRING
82	FO15623		1	FUEL BOWL GASKET
83	F481061-2		3	CARBURETOR COMPLETE (WB-21C)
84	FO15026		1	MAIN FUEL JET (.072) STD. SEA LEVEL - 1500 FT.
-	FO13430		-	MAIN FUEL JET (.070) OPT. 1500 FT. - 3000 FT.

CONTINUED ON NEXT PAGE ➡

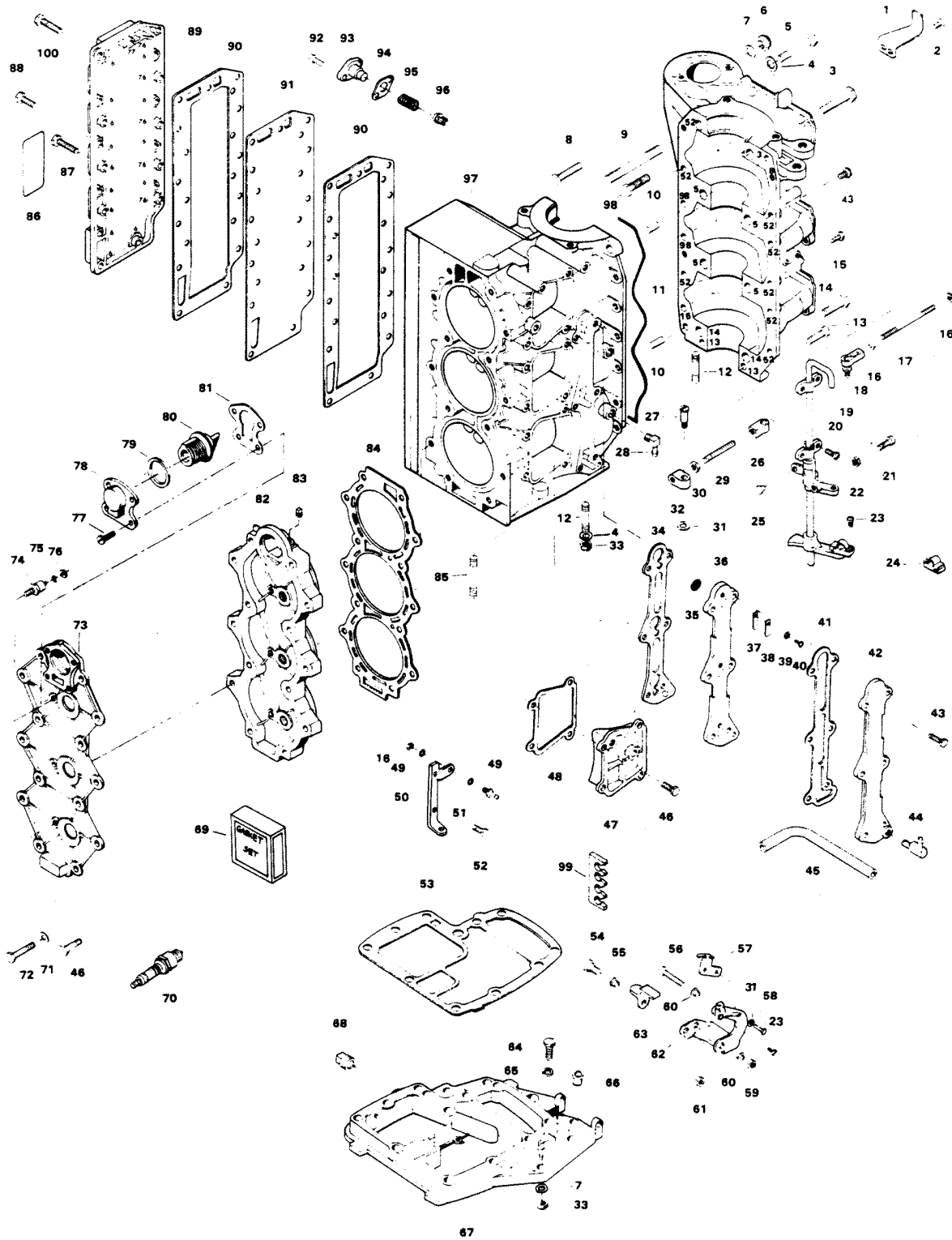
CARBURETOR



CARBURETOR

REF. NO.	PART NO.	SYM.	QTY.	DESCRIPTION
-	FO13967		-	MAIN FUEL JET (.068) OPT. 3000 FT. - 4500 FT.
-	FO14188		-	MAIN FUEL JET (.066) OPT. 4500 FT. - 6000 FT.
-	FO14108		-	MAIN FUEL JET (.064) OPT. 6000 FT. & UP.
85	FO11103		1	IDLE SCREW SPRING
86	FO13946		1	IDLE SCREW
87	F481836		3	INTAKE GASKET
88	F1760		6	PAN HD SCREW, 10 - 24 X 3/8
89	22-817789A1		1	DRAIN FITTING W/METERING CUP
90	F63754		1	HOSE INTAKE DRAIN
91	F1504		3	FILL HD SCREW, 1/4 - 20 X 1-1/4
92	F53504		3	GROMMET
93	F1072		3	FILL HD SCREW, 1/4 - 20 X 1-3/4
94	F481860-1		1	CARBURETOR, INTAKE
95	F481567		1	CARBURETOR INTAKE ADAPTER
96	FO8942		2	SHUTTER SCREW W/LOCKWASHER
97	FO13555		1	CHOKE SHUTTER
98	F90807		3	RETAINING RING
99	FA85193		2	TIE BAR END W/SWIVEL
100	F1693		2	TIE BAR RETAINER
101	F1064		2	FILL HD SCREWS, S.S., 8 - 32 X 3/8
102	FK10102		1	REPAIR PARTS KIT. INCLUDES ALL ITEMS MARKED WITH AN ASTERISK (*) .
103	FA85511		1	THROTTLE TIE BAR W/SWIVEL
104	FK10000		1	GASKET SET. INCLUDES ALL ITEMS MARKED WITH A DOUBLE ASTERISK (**)
-	F8026		1	PLAIN WASHER (UNDER 2ND FROM BOTTOM CENTER MANIFOLD TO CRANKCASE COVER SCREW). (NOT SHOWN)

POWERHEAD

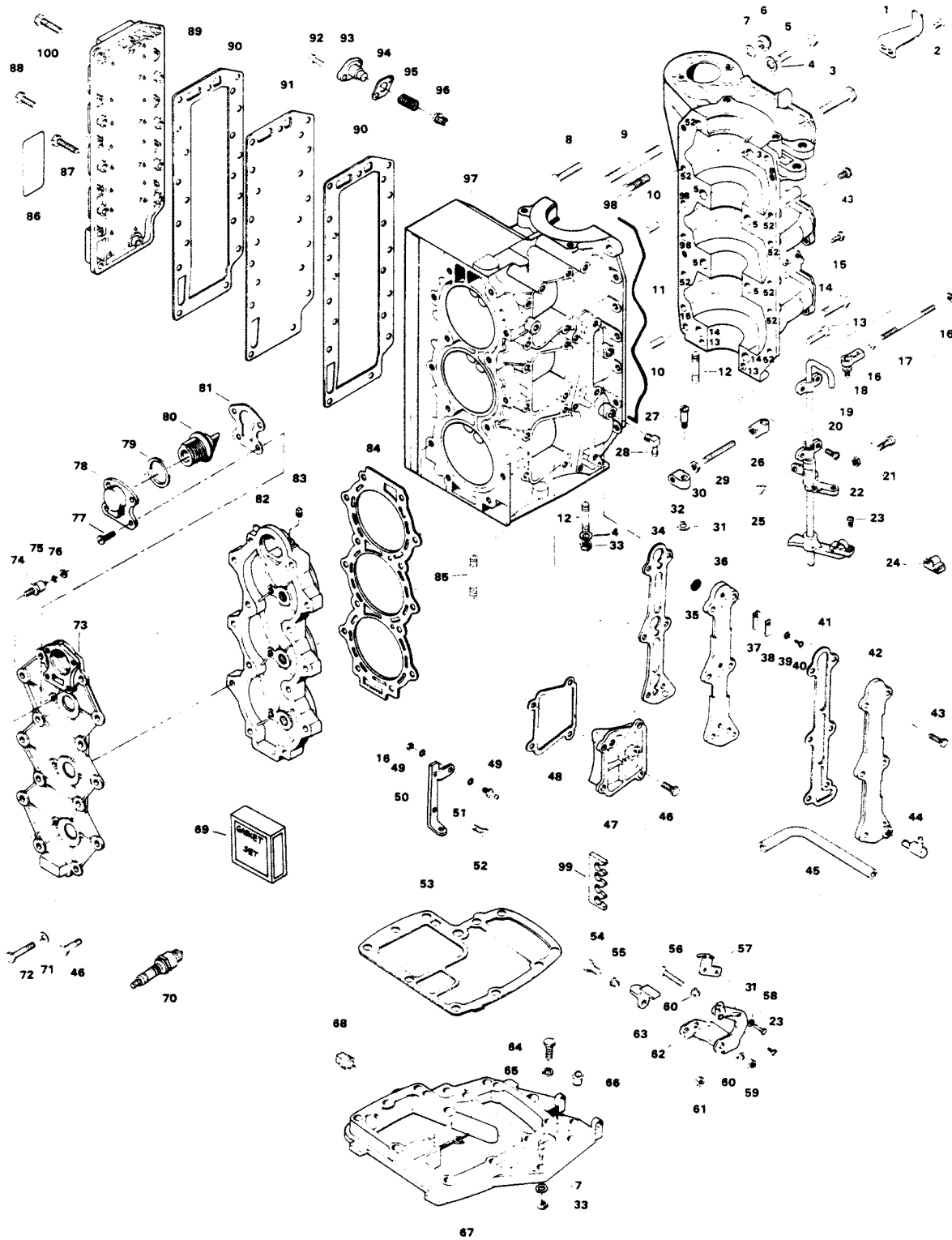


POWERHEAD

REF. NO.	PART NO.	SYM.	QTY.	DESCRIPTION
1	FA480894		1	TIMING POINTER W/ITEM 18 FROM PAGE 4 AND LITERATURE
2	F1760		2	PAN HD SCREW, 10 - 24 X 3/8
3	F1009		1	HEX BOLT, 3/8 - 16 X 2-3/4
4	F8038		4	PLAIN WASHER
5	F1873		4	HEX BOLT, 3/8 - 16 X 3
6	F1346		1	HEX NUT, 3/8 - 16
7	F8095		14	PLAIN WASHER
8	F1864		1	HEX HD SCREW, 1/4 - 20 X 3/4
9	F85210		1	STUD
10	F8563		2	DOWEL PIN
11	F85122		1	PARTING LINE SEAL
12	F85859		4	STUD, FORWARD
13	F1099		2	FILL HD SCREW, 1/4 - 20 X 1-1/4
14	F1872		2	HEX BOLT, 3/8 - 16 X 1-3/4
15	F1199		1	HEX CAP SCREW, 1/4 - 20 X 1
16	F1513		4	HEX NUT, 10 - 32
17	F85502		1	THROTTLE LINK
18	817747--1		1	BALL JOINT W/STUD
19	FA85838-5		1	TOWERSHAFT W/ILLUS. 18, 21, 22, 24 AND 25
20	F1475		4	FILL HD SCREW, 10 - 24 X 1/2
21	F1504		1	FILL HD SCREW, 1/4 - 20 X 1-1/4
22	F1341		1	HEX NUT, 1/4 - 20
23	F1556		2	FILL HD SCREW W/LOCKWASHER, 10 - 24 X 3/8
24	FK405020		2	SWIVEL W/PIVOT SCREW AND NUT
25	F1727		1	PLASTIC RIVET
26	F85036		1	TOWERSHAFT CONTROL ROD END
27	F85026		1	SWIVEL
28	F84314-2		1	ELBOW
29	F85445		1	DISTRIBUTOR CONTROL ROD
30	F2015		1	HEX NUT, 1/4 - 28
31	F2042		3	PLAIN WASHER
32	F85035		1	DISTRIBUTOR CONTROL ROD END
33	F7004		10	STOP NUT, 3/18 - 16
34	F85748-2		1	GASKET, CYLINDER DRAIN REED PLATE
35	F93811		3	SCREEN
36	F2A404757		1	CYLINDER DRAIN REED PLATE W/ILLUS. 35, 37, 38, 39, 40 AND METERING CUP
37	F18160-2		3	REED
38	F93920		3	REED STOP
39	F8003		3	PLAIN WASHER
40	F1286		3	PAN HD SCREW, 4 - 40 X 3/16
41	F85472-2		1	GASKET, CYLINDER DRAIN COVER
42	817787A1		1	CYLINDER DRAIN COVER W/PLUG AND LITERATURE

CONTINUED ON NEXT PAGE ➡

POWERHEAD

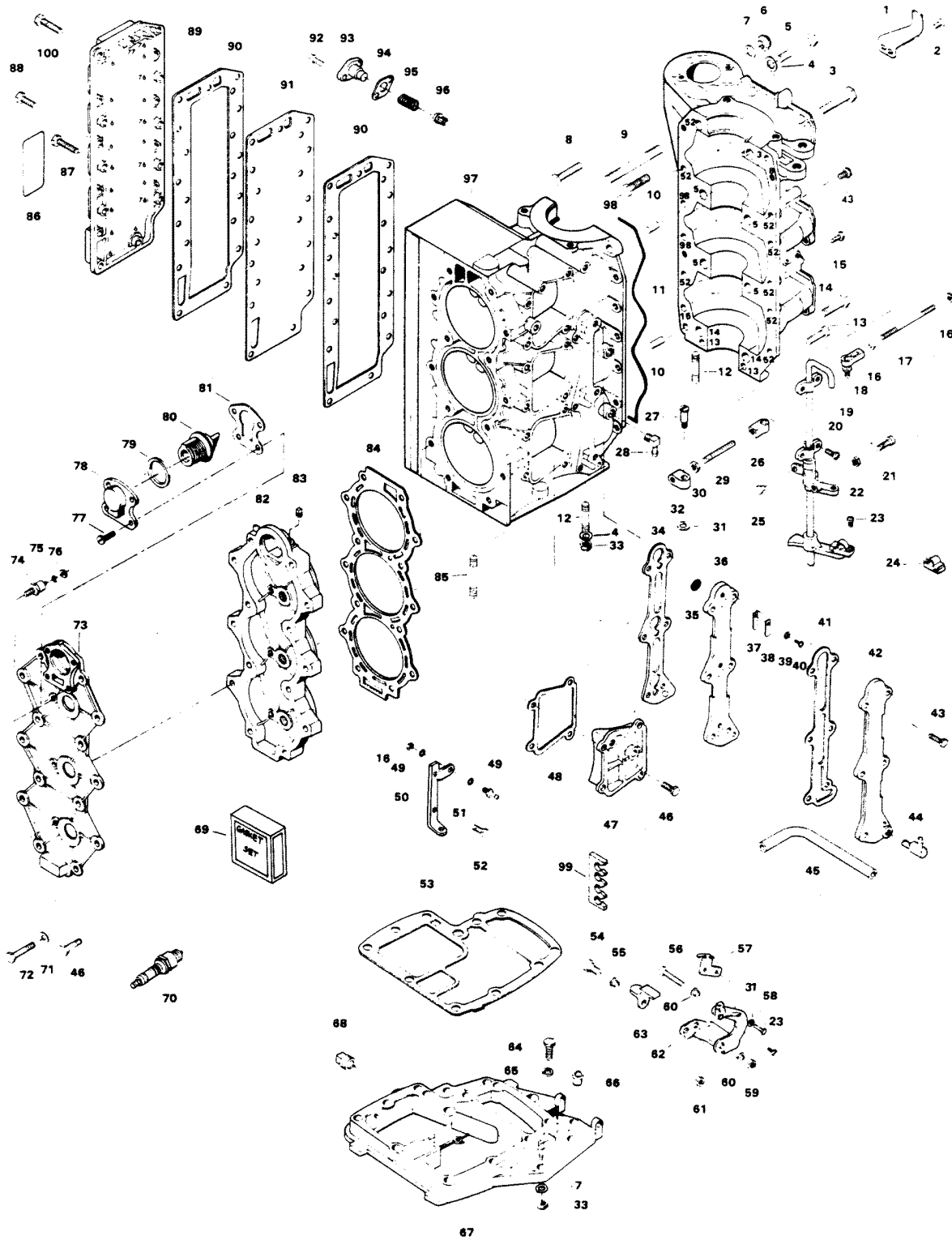


POWERHEAD

REF. NO.	PART NO.	SYM.	QTY.	DESCRIPTION
43	F1532		6	HEX HD SCREW, 1/4 - 20 X 1
44	F404801		1	FITTING
45	F433253		1	HOSE
46	F1922		8	HEX HD SCREW, 1/4 - 20 X 5/8
47	FA411222		2	TRANSFER PORT COVER W/PLUGS AND LITERATURE
48	F40223		3	GASKET, TRANSFER PORT COVER
49	F8058		4	INTERNAL TOOTH LOCKWASHER
50	FS85872-1		1	BRACKET
51	F98273		2	ROD END CONNECTOR STUD
52	F1864		10	HEX HD SCREW, 1/4 - 20 X 3/4
53	F85279-2		1	CYLINDER EXHAUST GASKET, UPPER
54	F369887		1	SHOULDER SCREW
55	F369610		1	BEARING
56	F1885		1	HEX BOLT, 5/16 - 18 X 4-1/4
57	F480107-1		1	CAM, STARTER INTERLOCK
58	F2089		2	SLOTTED PAN HD MACHINE SCREW, 10 - 24 X 5/16
59	F2108		1	STOP NUT, 5/16 - 18
60	F85610		2	BEARING
61	F1832		1	STOP NUT, 1/4 - 20
62	FA480876		1	GEAR SHIFT ARM W/ILLUS. 24, 54, 55, 56, 61 AND 63
63	F369977-1		1	INTERLOCK ARM
64	F1869		6	HEX BOLT, 3/8 - 16 X 1-1/4
65	F1703		6	SPRING LOCKWASHER
66	F40689-1		1	BEARING, TOWERSHAFT
67	817788A3		1	SPACER PLATE W/ILLUS. 68 ORIGINAL FORCE P/N A 404680-1
68	F2090		1	PLUG
69	FG1020		1	GASKET SET
-	F40223		3	TRANSFER PORT COVER GASKET
-	F84278		1	CRANKSHAFT BRG. SEAL CAGE SEAL
-	F84504		1	THERMOSTAT GROMMET
-	F85122		1	CRANKCASE SEAL
-	F85154-1		2	EXHAUST PORT PLATE GASKET
-	F85159		1	MANIFOLD GASKET
-	F85168		3	CARBURETOR ADAPTER FLANGE GASKET
-	F85279-2		1	CYLINDER, EXHAUST - UPPER GASKET
-	F85472-2		1	CYLINDER DRAIN COVER GASKET
-	F85748-2		1	CYLINDER DRAIN REED PLATE GASKET
-	F85762		1	BY-PASS VALVE GASKET
-	F85906		3	CARBURETOR GASKET
-	F369529-1		1	CYLINDER HEAD GASKET
-	F476067		1	THERMOSTAT COVER GASKET
-	F481836		3	INTAKE GASKET

CONTINUED ON NEXT PAGE ➡

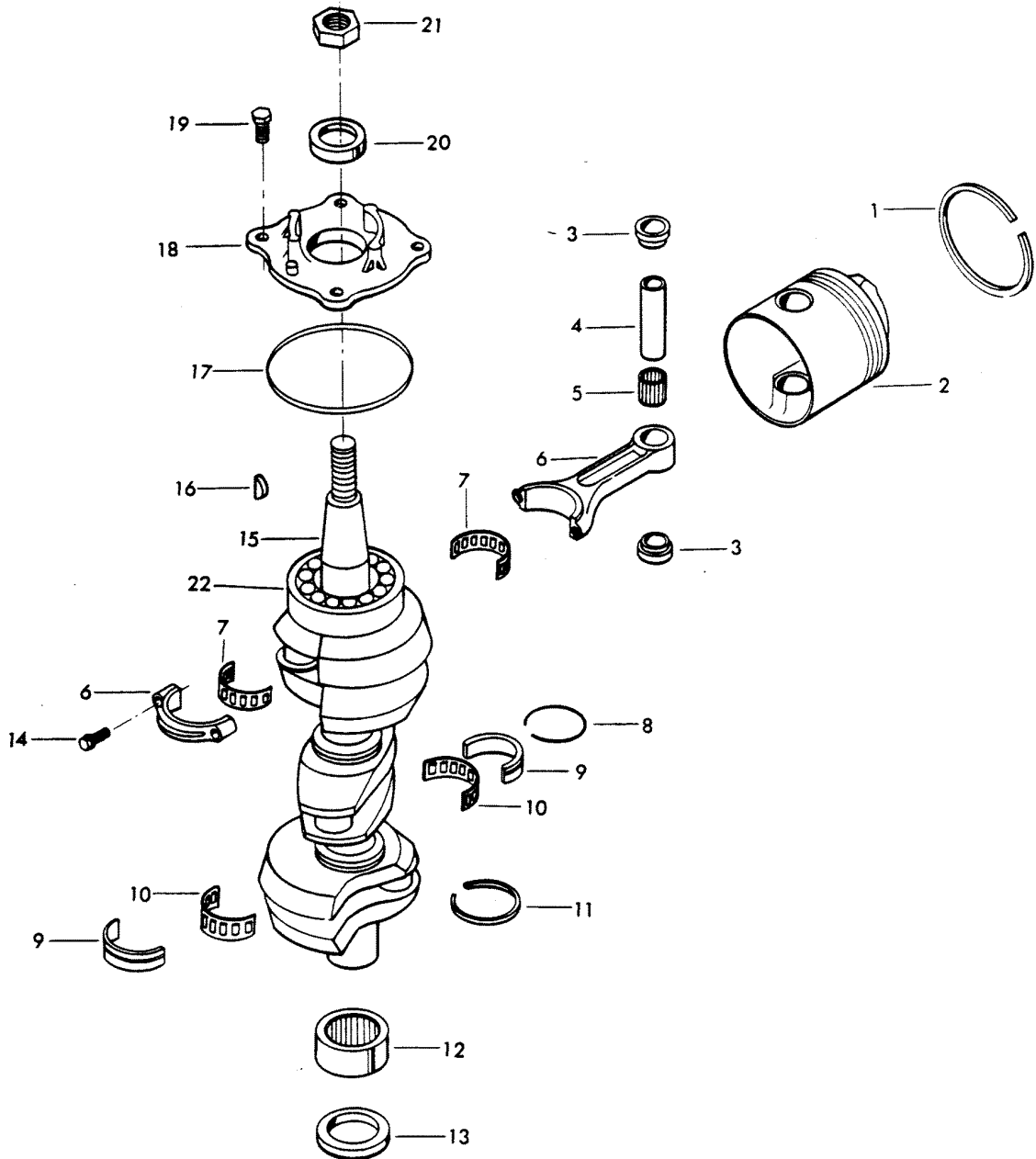
POWERHEAD



POWERHEAD

REF. NO.	PART NO.	SYM.	QTY.	DESCRIPTION
70	33-97180		3	SPARK PLUG (CHAMPION L-20-V) USA
-	FC522227		3	SPARK PLUG (CHAMPION QUL-77V) CANADA
71	F1987		14	PLAIN WASHER
72	F1883		14	HEX BOLT, 5/16 - 18 X 2-3/8
73	F499995		1	CYLINDER HEAD COVER
74	87-817778A1		1	THERMOSWITCH W/ILLUS. 75 AND 76 ORIGINAL FORCE P/N A 335449-1
75	F8056		1	SPRING LOCKWASHER
76	F1647		1	HEX NUT, 10 - 32
77	F1110		4	FILL HD SCREW, 1/4 - 20 X 5/8
78	F476066-1		1	COVER, THERMOSTAT
79	F84504		1	GROMMET
80	F528068		1	THERMOSTAT
81	F476067		1	GASKET, THERMOSTAT COVER
82	F480518		1	CYLINDER HEAD
83	F19109		1	PLUG
84	F369529-1		1	CYLINDER HEAD GASKET
85	F85211		6	STUD, REAR
86	F438398-1		1	DECAL, WIRING - USA
-	FC438398		1	DECAL, WIRING - CANADA
87	F1916		5	HEX HD SCREW, 1/4 - 20 X 1-1/8
88	F2008		14	HEX BOLT, 1/4 - 20 X 7/8
89	F85152-4		1	EXHAUST PORT COVER
90	F85154-1		2	GASKET, EXHAUST PORT PLATE
91	F85151-1		1	EXHAUST PORT PLATE
92	F1950		2	HEX HD SCREW, 10 - 24 X 5/8
93	F438066		1	BY-PASS VALVE COVER
94	F85762		1	GASKET, BY-PASS VALVE
95	F404268		1	SPRING, BY-PASS VALVE
96	F85916-1		1	BY-PASS VALVE
97	800-817823A7		1	CYLINDER W/CRANKCASE COVER ILLUS. 3, 5, 6, 9, 11, 12, 13, 14, 65, 85 AND LITERATURE ORIGINAL FORCE P/N A 481010-4
-	800-817901A9		1	SHORT BLOCK (NOT SHOWN) INCLUDES ALL ITEMS MARKED WITH AN ASTERISK (*). ALSO REFER TO CRANKSHAFT AND PISTON PAGES. ORIGINAL FORCE P/N C 481010-4
98	F2008		2	HEX CAP SCREW, 1/4 - 20 X 7/8
99	F523834		1	CLIP, SPARK PLUG WIRE
100	F1708		1	HEX HD SCREW, 1/4 - 20 X 1-3/8

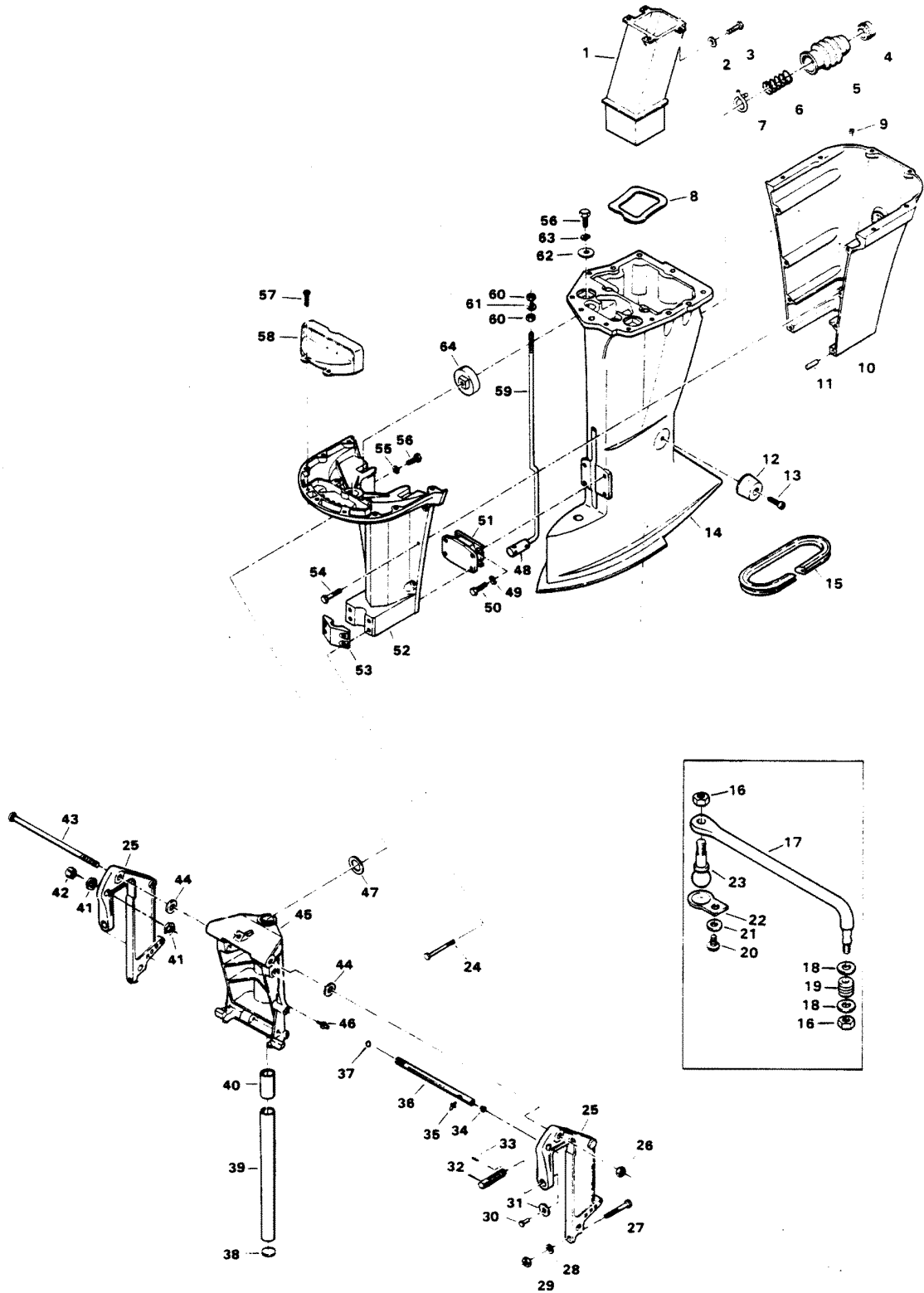
CRANKSHAFT AND PISTON



CRANKSHAFT AND PISTON

REF. NO.	PART NO.	SYM.	QTY.	DESCRIPTION
1	FA335260		3	PISTON RING SET (3 PER SET)
-	FSA335260		3	PISTON RINGS (3 PER SET) .010 OVERSIZE
-	39-818110A1		3	PISTON RINGS (3 PER SET) .030 OVERSIZE
2	700-F372015-3		3	PISTON
-	700-817988A2		3	PISTON .010 OVERSIZE
-	700-818111A2		3	PISTON .030 OVERSIZE
3	F335215		6	SPACER, PISTON PIN (2 PER PISTON)
4	F85017		3	PISTON PIN
5	F335217-1		3	BEARING PISTON PIN (26 PER SET)
6	600-818052A4		3	CONNECTING ROD W/CAP AND ILLUS. 14 ORIGINAL FORCE P/N S 366016-4
7	FK85228-1		3	BEARING CAGE W/ROLLER
8	F85410		2	SNAP RING
9	FA85655-1		2	CRANKSHAFT MAIN BEARING RACE W/ILLUS. 8
10	F85571		2	BEARING CAGE W/ROLLER
11	F316579		2	SEAL, CRANKCASE
12	FA523014		1	CRANKSHAFT LOWER MAIN BEARING W/ILLUS. 13
13	F523146		1	SEAL, CRANKSHAFT LOWER
14	F85634-2		6	CONNECTING ROD SCREW
15	FA85018-2		1	CRANKSHAFT W/ILLUS. 11 AND 22
16	F85498		1	FLYWHEEL KEY
17	F84278		1	SEAL, CRANKSHAFT BEARING CAGE
18	31-817785A2		1	CRANKSHAFT BEARING CAGE W/ILLUS. 20 ORIGINAL FORCE P/N A 373144-2
19	F1867		4	HEX CAP SCREW, 3/8 - 16 X 1
20	F84146-2		1	SEAL
21	F1968		1	FLYWHEEL NUT
22	F284659-2		1	CRANKSHAFT THRUST BEARING, UPPER
-	F2067		1	PLASTISOL CAP (NOT SHOWN) FOR EXPOSED THREADS OF CRANKSHAFT

MOTOR LEG

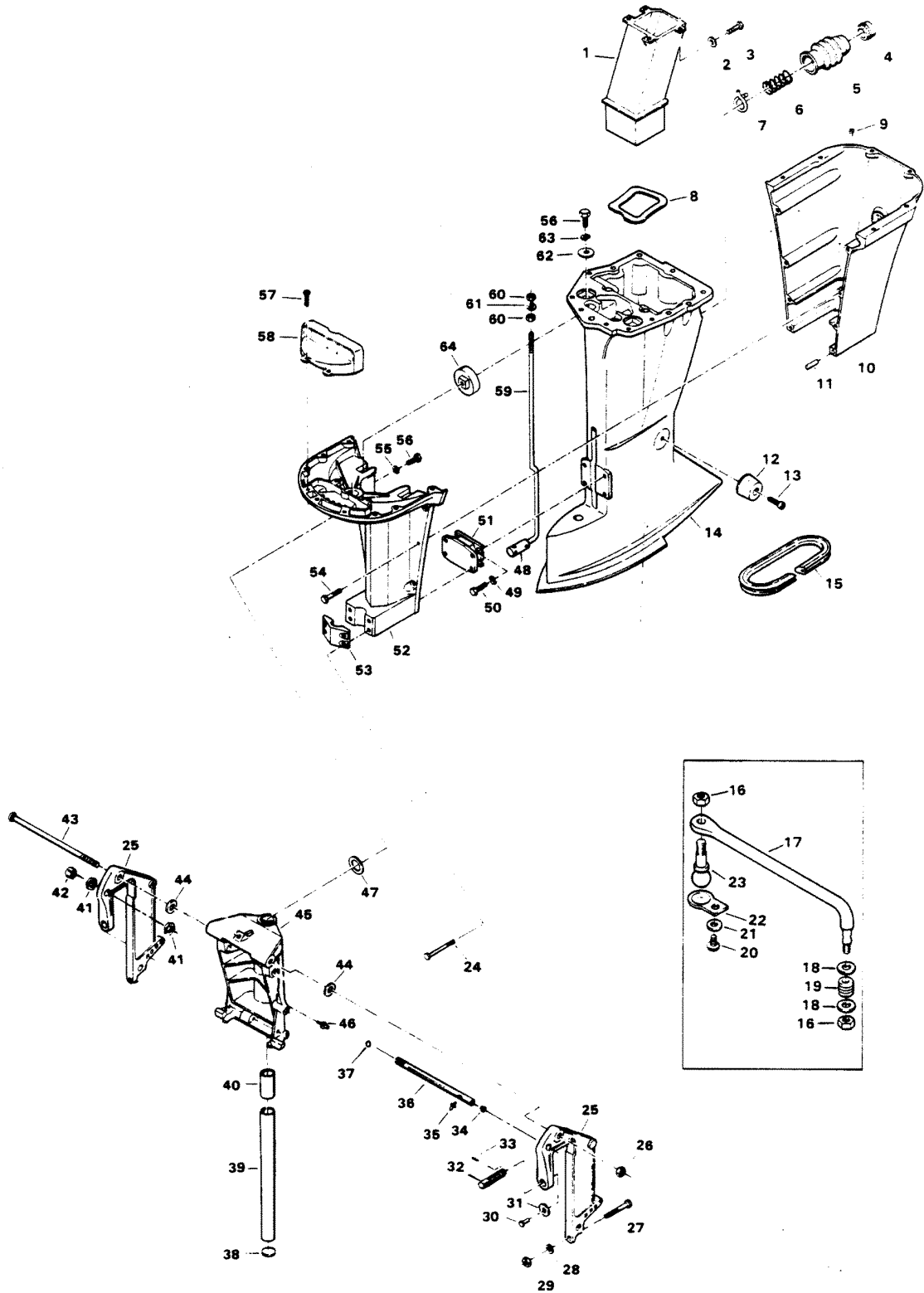


MOTOR LEG

REF. NO.	PART NO.	SYM.	QTY.	DESCRIPTION
1	F85660-1		1	EXHAUST TUBE
2	F8083		4	SPRING LOCKWASHER
3	F1705		4	HEX SLOT HD SCREW, 1/4 - 20 X 3/4
4	F85258		1	INSERT
5	F85130		1	BOOT, IDLE EXHAUST
6	F85380		1	SPRING
7	F85772		1	CLAMP
8	F439736		1	SEAL EXHAUST TUBE
9	F1729		2	PLUG
10	817931A7		1	MOTOR LEG COVER REAR W/COTTER PIN, PLUG, FASTENER, WASHER, SEAL AND LITERATURE ORIGINAL FORCE P/N A 178145-3
11	F1664		2	SPRING PIN
12	F438962		2	SHOCK MOUNT SIDE
13	F1263		2	HEX SOCKET HD CAP SCREW, 5/16 - 18 X 9/16
14	F523133-2		1	MOTOR LEG
15	F178323		1	SEAL, MOTOR LEG
16	F2093		2	STOP NUT, 3/8 - 24
17	F523881-2		1	STEERING LINK
18	F8038		2	PLAIN WASHER
19	F523300-1		1	SPRING
-	FOB2603		1	INSTALLATION INSTRUCTIONS (FOR 5H094 STEERING LINK KIT)
20	F1280		1	PAN HD SCREW, 8 - 32 X 1/4
21	F8080		1	SPRING LOCKWASHER
22	F523930		1	RETAINER
23	F523273		1	STEERING BALL STUD
24	F1696		4	HEX BOLT, 5/16 - 18 X 1-3/4
25	1400-817958A6		2	STERN BRACKET
26	F7012		1	LOCK NUT, 1/2 - 20
27	F1593		2	HEX HD SCREW, 3/8 - 16 X 3
28	F1904		2	PLAIN WASHER
29	F1346		2	HEX NUT, 3/8 - 16
30	F353480		2	STUD
31	F84074		2	CLAMP SCREW FOOT
32	F474073-1		2	CLAMP SCREW
33	F8538		2	SPRING PIN
34	F9052		1	PLUG
35	F523274		1	GREASE FITTING
36	F511125-2		1	TUBE, STEERING SUPPORT
37	F316599		1	SEAL, STEERING SUPPORT TUBE
38	F1528		1	WELCH PLUG
39	FA85019		1	KINGPIN W/ILLUS. 38
40	F438169		2	BEARING

CONTINUED ON NEXT PAGE ➡

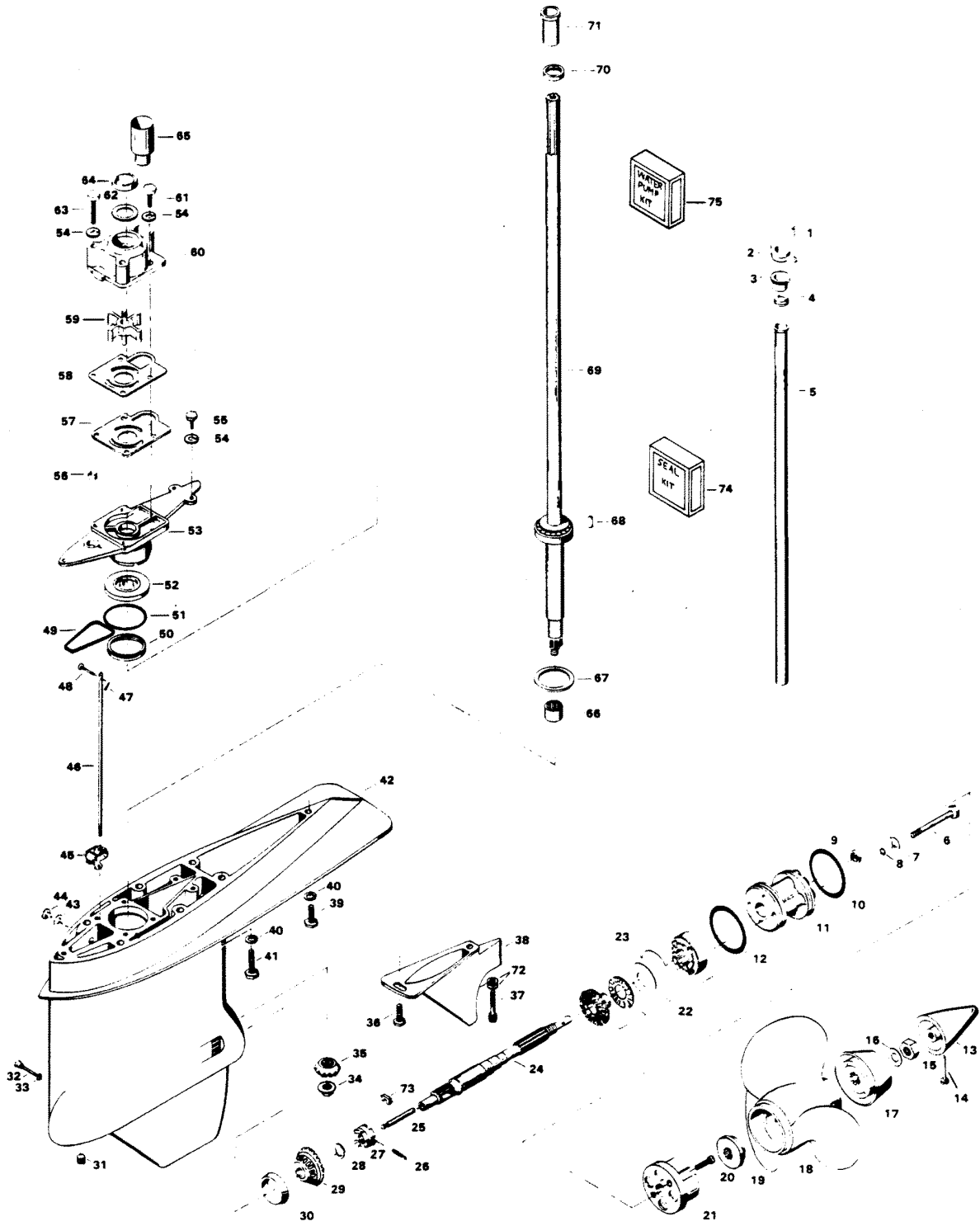
MOTOR LEG



MOTOR LEG

REF. NO.	PART NO.	SYM.	QTY.	DESCRIPTION
41	F523280		2	NUT, STEERING SUPPORT TUBE
42	F9018		1	CAP
43	F85037-1		1	STERN BRACKET PIVOT BOLT
44	F84286-1		4	FRICTION WASHER
45	817783A5		1	SWIVEL BRACKET W/ILLUS. 40 AND 46 ORIGINAL FORCE P/N A 369072-2
46	F213274		3	GREASE FITTING
47	F84011		1	WASHER
48	F85704		1	COUPLER, GEARSHIFT ROD UPPER
49	F8096		4	SPRING LOCKWASHER
50	F1822		4	HEX BOLT, 5/16 - 18 X 7/8
51	F438346		1	SHOCK MOUNT, LOWER
52	FA85135-4		1	LEG COVER, FRONT W/ILLUS. 54
53	F85606		1	KINGPIN CAP
54	F2030		6	HEX HD SCREW, 1/4 - 20 X 1-1/4
55	F1703		2	SPRING LOCKWASHER
56	F1871		4	HEX HD SCREW, 3/8 - 16 X 3/4
57	F1912		4	HEX HD SCREW, 10 - 24 X 1/2
58	F85779-1		1	BAFFLE, AIR INTAKE
59	F85615		1	GEAR SHIFT ROD UPPER
60	F2108		2	LOCK NUT, 5/16 - 18
61	F1987		1	PLAIN WASHER
62	FA85355-1		2	WASHER SHOCK MOUNT UPPER W/ILLUS. 63
63	F2014		2	PLAIN WASHER
64	F85965		2	SHOCK MOUNT, UPPER

GEAR HOUSING

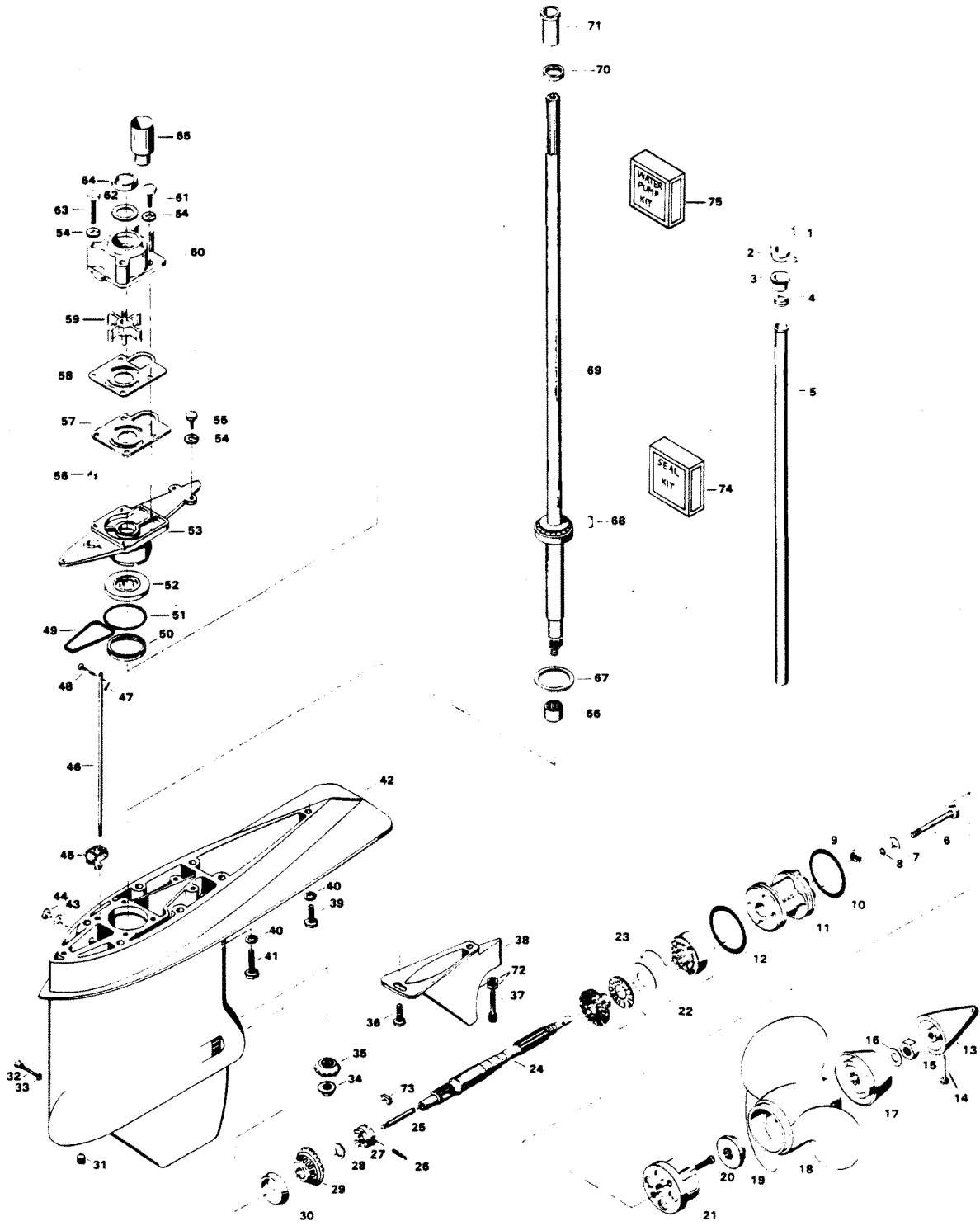


GEAR HOUSING

REF. NO.	PART NO.	SYM.	QTY.	DESCRIPTION
1	F1705		2	HEX CAP SCREW, 1/4 - 20 X 3/4
2	F85117		1	BRACKET, WATER LINE
3	F84342		1	SEAL, INLET WATER LINE UPPER
4	F523899		1	GROMMET, WATER LINE
5	F523244		1	INLET WATER LINE
6	F1885		4	HEX CAP SCREW, 5/16 - 18 X 4-1/4
7	F1907		4	PLAIN WASHER
8	F50342-1		4	SEAL, BEARING CAGE BOLTS
9	F506118		1	SEAL, PROPELLER SHAFT
10	F24278		1	SEAL, O-RING PROPELLER SHAFT SPOOL
11	F2A523239		1	SPOOL, PROPELLER SHAFT BEARING W/SEAL AND ILLUS. 9
12	F84305		1	SEAL, PROPELLER SHAFT BEARING SPOOL
13	F523094-2		1	PROPELLER NUT
14	F498891		1	PIN, PROPELLER NUT RETAINING
15	F1788		1	STOP NUT
16	F1866		1	PLAIN WASHER
17	F532299		1	WASHER, PROPELLER SPLINE
18	FPS524		1	PROPELLER (ACCESSORY ITEM)
19	F523099-1		1	SPACER, PROPELLER
20	F1577		2	FILL HD SCREW, 1/4 - 20 X 3/4
21	FA523485		1	ANTI-CORROSION ANODE W/LITERATURE
22	F2A498662		1	BEVEL GEAR REAR W/BEARING CAGE, SPACER AND BEARING
23	F523411		2	RETAINING RING
24	FA523098		1	PROPELLER SHAFT
25	F84871-1		1	PIN, GEAR SHIFT
26	F1713		1	SPRING PIN
27	F84521-1		1	CLUTCH
28	F1936		A/R	SPACER, BEVEL GEAR FRONT .059
-	F1937		A/R	SPACER, BEVEL GEAR FRONT .062
-	F1938		A/R	SPACER, BEVEL GEAR FRONT .065
-	F1939		A/R	SPACER, BEVEL GEAR FRONT .068
-	F1940		A/R	SPACER, BEVEL GEAR FRONT .071
-	F1941		A/R	SPACER, BEVEL GEAR FRONT .074
-	F1942		A/R	SPACER, BEVEL GEAR FRONT .077
-	F2113		A/R	SPACER, BEVEL GEAR FRONT .080
-	F2114		A/R	SPACER, BEVEL GEAR FRONT .083
-	F2115		A/R	SPACER, BEVEL GEAR FRONT .086
-	F2116		A/R	SPACER, BEVEL GEAR FRONT .089
-	F2121		A/R	SPACER, BEVEL GEAR FRONT .057
-	F2122		A/R	SPACER, BEVEL GEAR FRONT .054
29	F2A498023		1	BEVEL GEAR FRONT W/BEARING
30	F523813		1	BEARING CUP

CONTINUED ON NEXT PAGE ➡

GEAR HOUSING

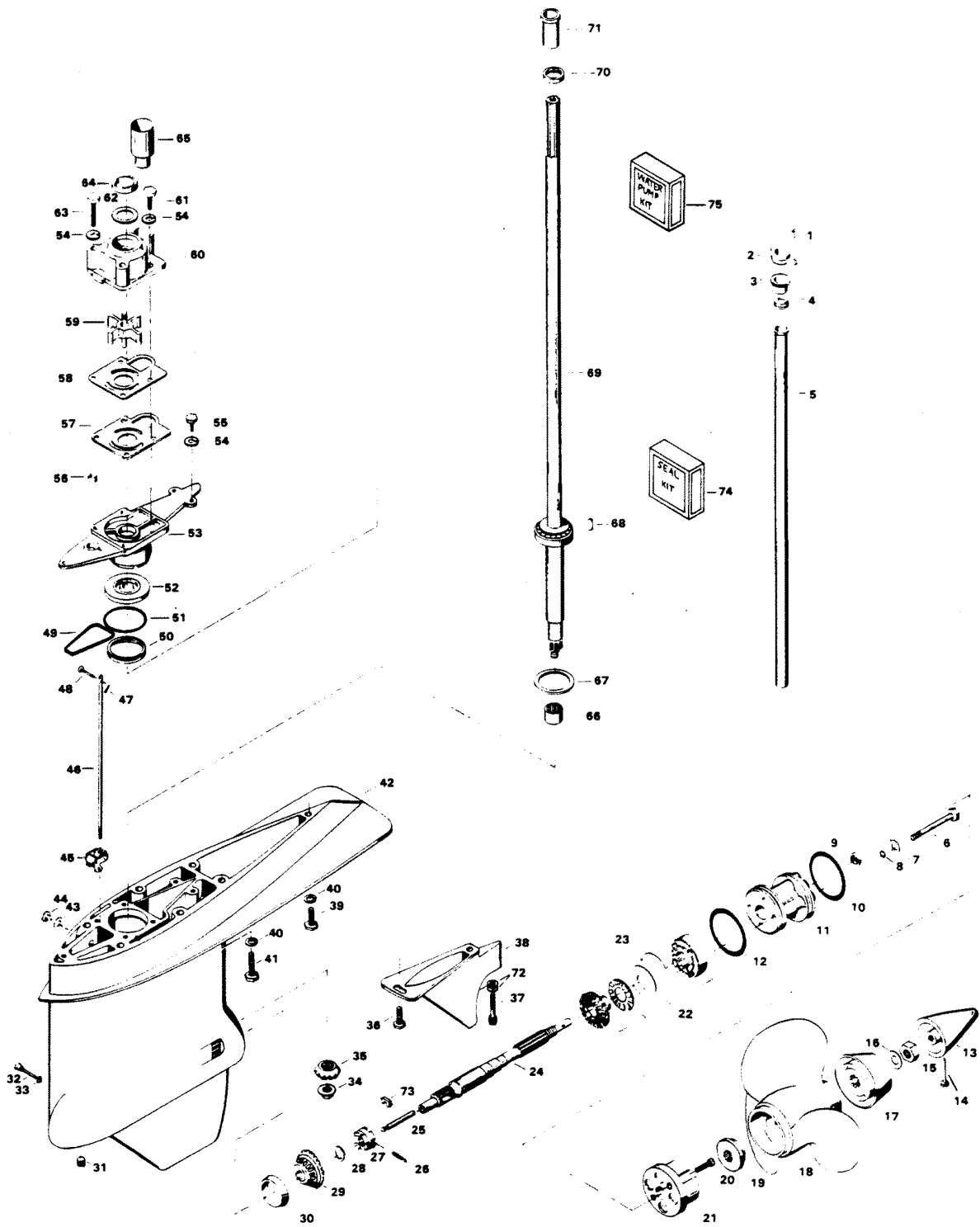


GEAR HOUSING

REF. NO.	PART NO.	SYM.	QTY.	DESCRIPTION
31	F19109		1	PLUG, GEAR HOUSING
32	F498891		1	PIN, GEAR SHIFT ARM
33	F498618		1	SEAL
34	F523188		1	NUT, BEVEL PINION RETAINING
35	FA498266		1	BEVEL PINION GEAR WILLUS. 50 AND SHIMS
36	F438930		1	RETAINER, SNOUT
37	F1994		1	HEX SOCKET HD CAP SCREW, 5/16 - 18 X 1
38	F523116		1	EXHAUST SNOUT
39	F1858		1	HEX CAP SCREW, 5/16 - 18 X 1
40	F8096		7	SPRING LOCKWASHER
41	F1491		6	HEX CAP SCREW, 5/16 - 18 X 3-1/4
42	FA523054		1	GEAR HOUSING W/DRIVESHAFT BEARING LOWER ILLUS. 30, 31, 43 AND 44
-	FC550054		1	GEAR HOUSING COMPLETE. INCLUDES ALL ITEMS MARKED WITH AN ASTERISK (*).
43	F8077		2	WASHER, GEAR HOUSING PLUG
44	F50109		2	PLUG, GEAR HOUSING
45	FA84621-1		1	COUPLING, GEAR SHIFT ARM W/BUSHING
46	F523705		1	GEAR SHIFT ROD, LOWER
47	F1015		1	COTTER PIN
48	F85372		1	PIN, GEAR SHIFT ROD, LOWER
49	F523555		1	SEAL, O-RING - GEAR HOUSING COVER
50	F523961		1	CRUSH RING
51	F74305		1	SEAL, DRIVESHAFT BEARING CAGE
52	F506118		1	SEAL, DRIVESHAFT
53	F2A550706		1	GEAR HOUSING COVER WILLUS. 9 AND 56
54	F8083		7	SPRING LOCKWASHER
55	F2008		3	HEX CAP SCREW, 1/4 - 20 X 7/8
56	F338618-1		1	SEAL, GEAR SHIFT ROD
57	F523031		1	GASKET, WATER PUMP
58	F523562		1	WATER PUMP BACK PLATE
59	F523065-1		1	WATER PUMP IMPELLER
60	46-817853A1		1	WATER PUMP BODY WILLUS. 62, 64 AND 65 ORIGINAL FORCE P/N A 523060-1
61	F1990		2	HEX CAP SCREW, 1/4 - 20 X 1-5/8
62	F480388		1	DISC, WATER PUMP LOCATING
63	F1425		2	HEX CAP SCREW, 1/4 - 20 X 2-5/8
64	F351307		1	SEAL, WATER PUMP
65	FA523735		1	SEAL, INLET WATER LINE LOWER W/LITERATURE
66	F523057		1	BEARING, DRIVESHAFT LOWER
67	F9106		A/R	SHIM, DRIVESHAFT BEARING UPPER .033 - BRASS
-	F9095		A/R	SHIM, DRIVESHAFT BEARING UPPER .005 - SILVER
-	F9097		A/R	SHIM, DRIVESHAFT BEARING UPPER .010 - BLACK
68	F523498		1	DRIVE KEY, WATER PUMP

CONTINUED ON NEXT PAGE ➡

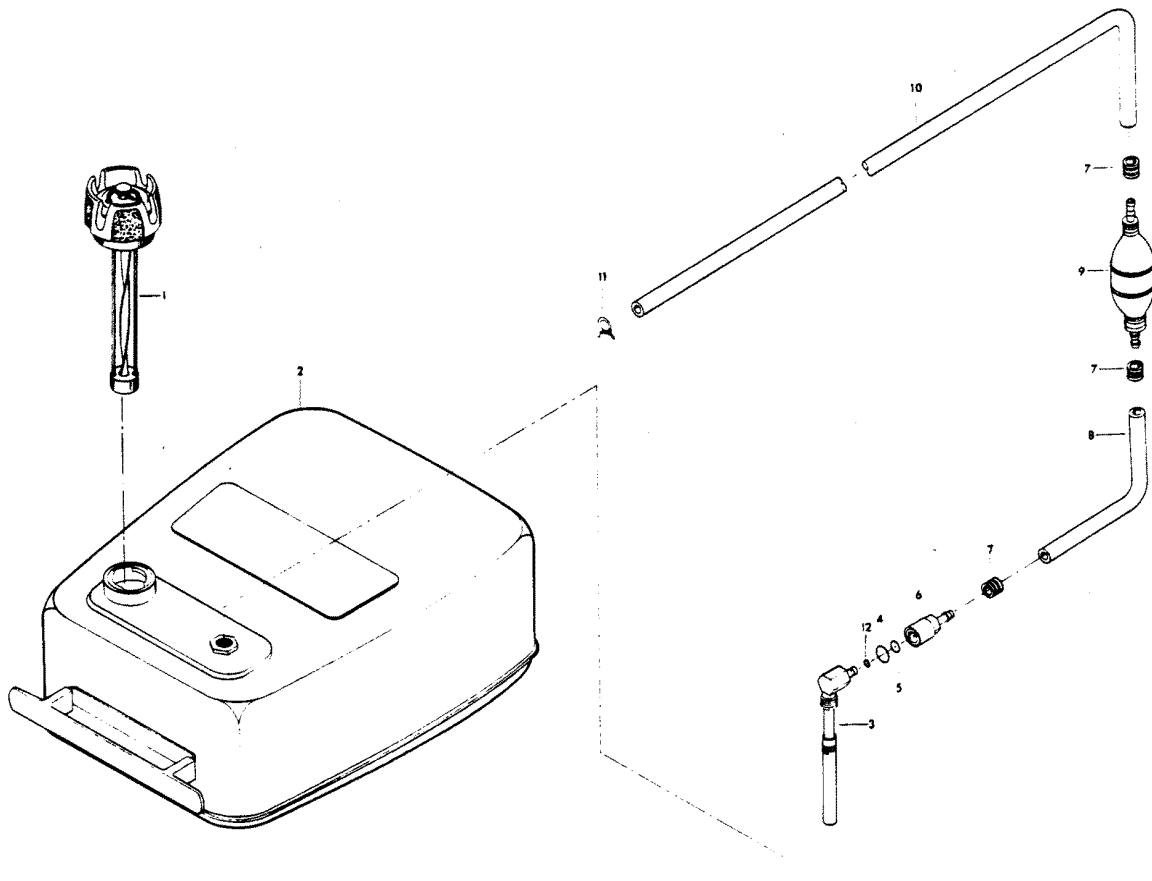
GEAR HOUSING



GEAR HOUSING

REF. NO.	PART NO.	SYM.	QTY.	DESCRIPTION
69	FK550128		1	DRIVESHAFT W/BEARING ILLUS. 50, 67 AND LITERATURE
70	F438271		1	RETAINER, CRANKSHAFT SPLINE SEAL
71	F438129		1	SEAL, DRIVESHAFT SPLINE
72	F1836		2	PLAIN WASHER
73	F90619-1		1	YOKE
74	FK1063-1		1	SEAL KIT
-	F50342-1		4	BEARING CAGE BOLT SEAL
-	F506118		1	PROPELLER SHAFT SEAL
-	F24278		1	PROPELLER SHAFT SPOOL SEAL
-	F84305		1	PROPELLER SHAFT SPOOL SEAL
-	F498618		1	GEAR SHIFT ARM PIN SEAL
-	F8077		2	WASHER
-	F523555		1	GEAR HOUSING COVER SEAL
-	F74305		1	GEAR HOUSING COVER SEAL
-	F84307-1		1	DRIVE SHAFT SEAL
-	F338618-1		1	GEAR SHIFT ROD SEAL
75	FK1069		1	WATER PUMP KIT
-	F1425		2	HEX CAP SCREW, 1/4 - 20 X 5/8
-	F1990		2	HEX CAP SCREW
-	F8083		4	SPRING LOCKWASHER
-	F523031		1	GASKET, WATER PUMP
-	F523065-1		1	IMPELLER
-	F523498		1	KEY
-	F523562		1	PLATE, WATER PUMP
-	46-817853A1		1	WATER PUMP

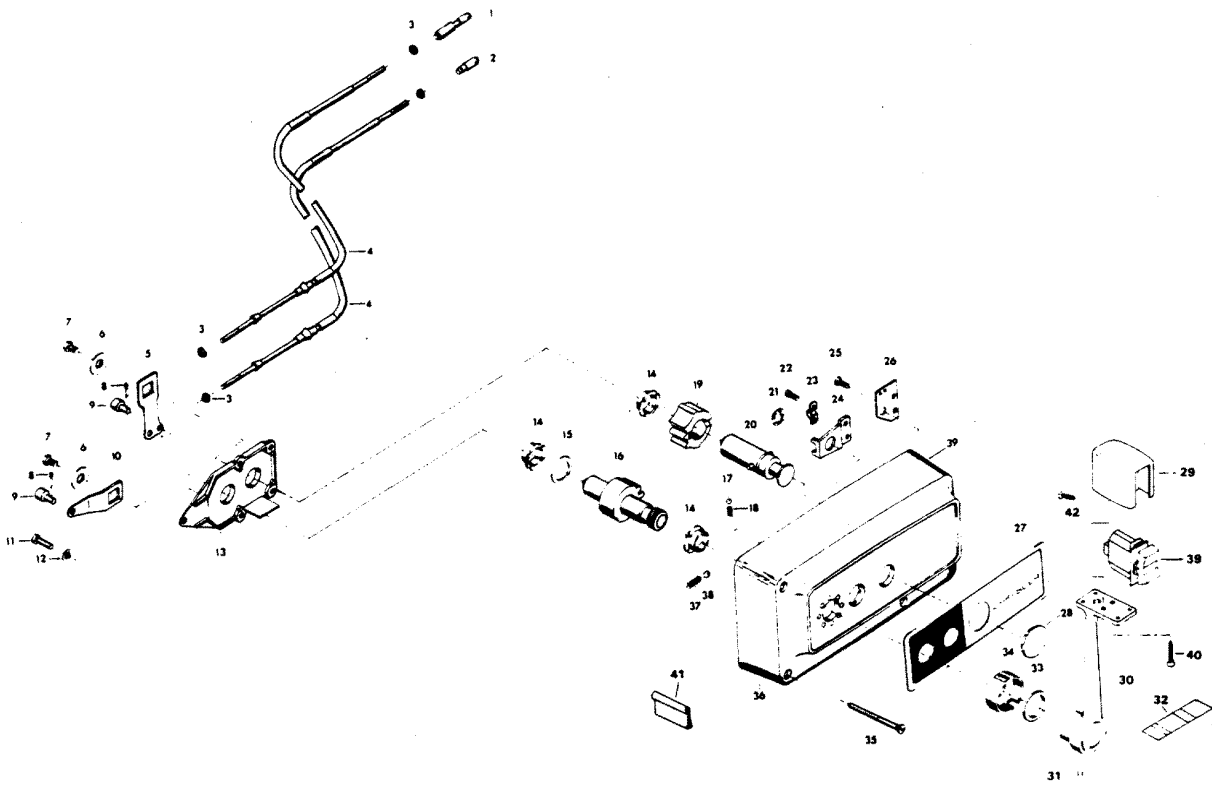
FUEL TANK AND LINE



FUEL TANK AND LINE

REF. NO.	PART NO.	SYM.	QTY.	DESCRIPTION
1	F409251-1		1	GAUGE CAP
2	F5H026		1	FUEL TANK (ACCESSORY ITEM)
3	F485755-1		1	FUEL TANK ADAPTER
4	F213342		1	SEAL, FUEL LINE COUPLER (LARGE)
5	F213735		1	SEAL, FUEL LINE COUPLER (SMALL)
6	F197787-3		1	FUEL LINE COUPLER
7	F298788		3	FERRULE
8	FA84754-1		1	FUEL LINE SHORT W/ILLUS. 7
9	89396A38		1	PRIME BULB W/LITERATURE ORIGINAL FORCE P/N S 387766-1
10	32-817738A1		1	FUEL LINE LONG W/ILLUS. 7 AND 11 ORIGINAL FORCE P/N A 197752-1
11	F97772		1	FUEL LINE CLAMP
12	F17932		1	SEAL, FUEL TANK ADAPTER
-	FS409752		1	FUEL LINE COMPLETE INCLUDES ALL ITEMS MARKED WITH AN ASTERISK (*)
-	FC409398		1	DECAL, TOTE TANK - CANADA (NOT SHOWN)

REMOTE CONTROL

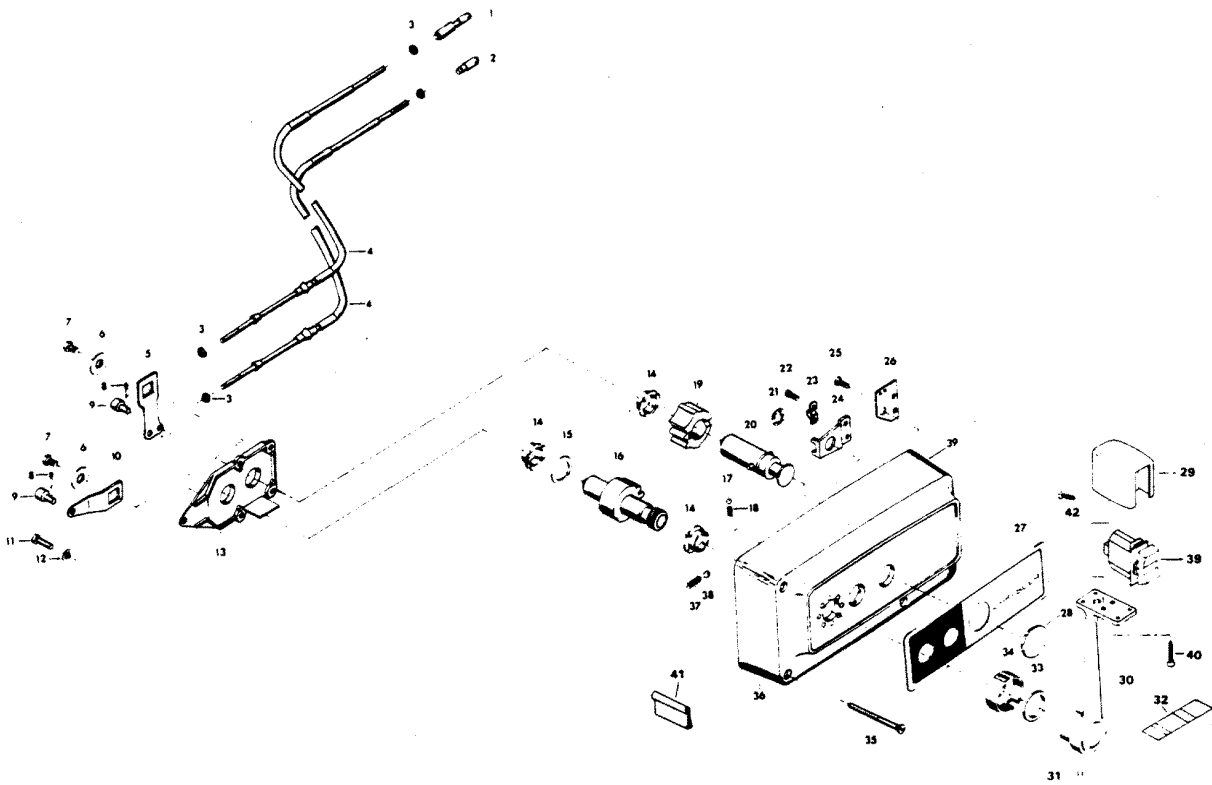


REMOTE CONTROL

REF. NO.	PART NO.	SYM.	QTY.	DESCRIPTION
1	FA58976-1		1	CONNECTOR, THROTTLE CABLE
2	F58685-2		1	CONNECTOR, SHIFT CABLE
3	F1513		4	HEX NUT
4	F195/___		1	REMOTE CONTROL CABLE (SPECIFY LENGTH) ACCESSORY ITEM (2 PER SET)
5	F17019		1	CLUTCH ARM
6	F17036		2	INTERNAL TOOTH LOCKWASHER
7	F1715		2	HEX BOLT, 1/4 - 28 X 9/16
8	F17149		2	COTTER PIN
9	F17016		2	CABLE TERMINAL
10	F17014		1	THROTTLE ARM
11	F17013		2	FILL HD SCREW, 1/4 - 20 X 1/2
12	F17147		2	INTERNAL TOOTH LOCKWASHER
13	F17012		1	RETAINING PLATE
14	F17009		3	BEARING
15	F17011		1	BOWED WASHER
16	F17010-1		1	THROTTLE GEAR
17	F17111		1	DETENT BALL
18	F17006		1	DETENT SPRING
19	F17021		1	CLUTCH GEAR
20	F17100		1	CLUTCH SHAFT
21	F17092		1	SNAP RING
22	F17071		2	FILL HD SCREW, 10 - 24 X 5/16
23	F154317		1	CABLE CLAMP
24	F17026		1	SWIVEL
25	F1557		2	FLAT HD SCREW, 10 - 24 X 3/8
26	F17112		1	JUNCTION BOARD, STARBOARD
-	F17113		1	JUNCTION BOARD, PORT
27	F17148		1	DECAL, STARBOARD
-	F531892		1	DECAL, PORT
28	F17031-1		1	SNAP CAP
29	F448543		1	KNOB
30	F448611-1		1	LEVER, REMOTE CONTROL
31	F17030-1		1	SET SCREW
32	F449894		1	INDICATOR - STARBOARD
-	F448894		1	INDICATOR - PORT
33	F17105		1	FELT WASHER
34	F17106		1	COLLAR
35	F17146		3	WOOD SCREW
36	F17099		1	HOUSING
37	F17068		1	DETENT SPRING
38	F17082-1		1	DETENT BALL
39	F455449		1	SWITCH, TRIM

CONTINUED ON NEXT PAGE ➡

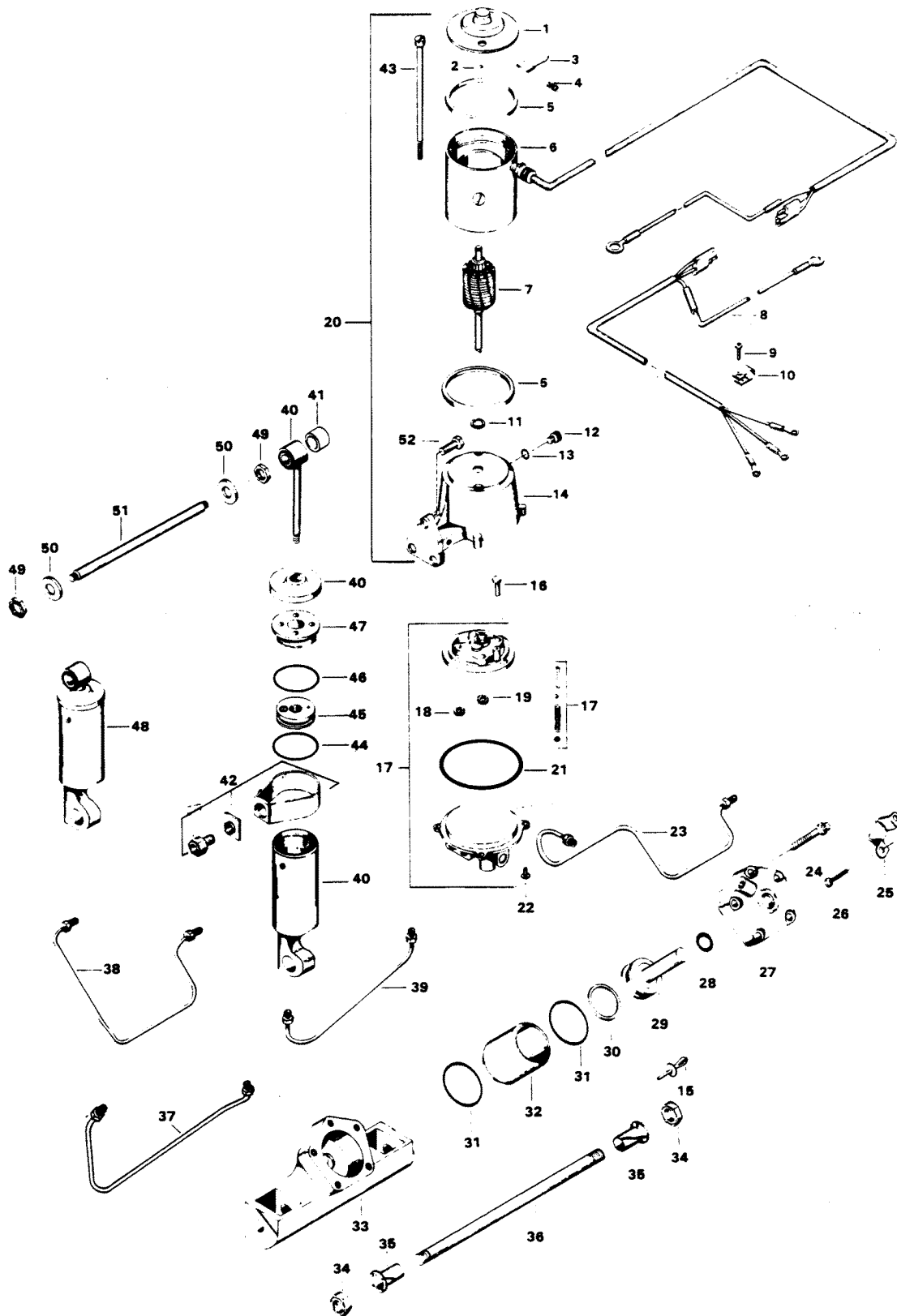
REMOTE CONTROL



REMOTE CONTROL

REF. NO.	PART NO.	SYM.	QTY.	DESCRIPTION
40	F1461		2	SCREW #6 X 7/8
41	F448446		1	CLAMP, TRIM SWITCH CABLE
-	F1280		2	PAN HD SCREW, 8 - 32 X 1/4 (TERMINAL BOARD) (NOT SHOWN)
-	OB3062		1	LITERATURE (NOT SHOWN) INSTALLATION INSTRUCTIONS FOR REMOTE CONTROL
-	F17103		1	BAG ASSEMBLY (NOT SHOWN) INCLUDES ITEMS MARKED WITH AN ASTERISK (*).
42	F1280		3	PAN HD SCREW, 8 - 32 X 1/4

POWER TRIM UNIT

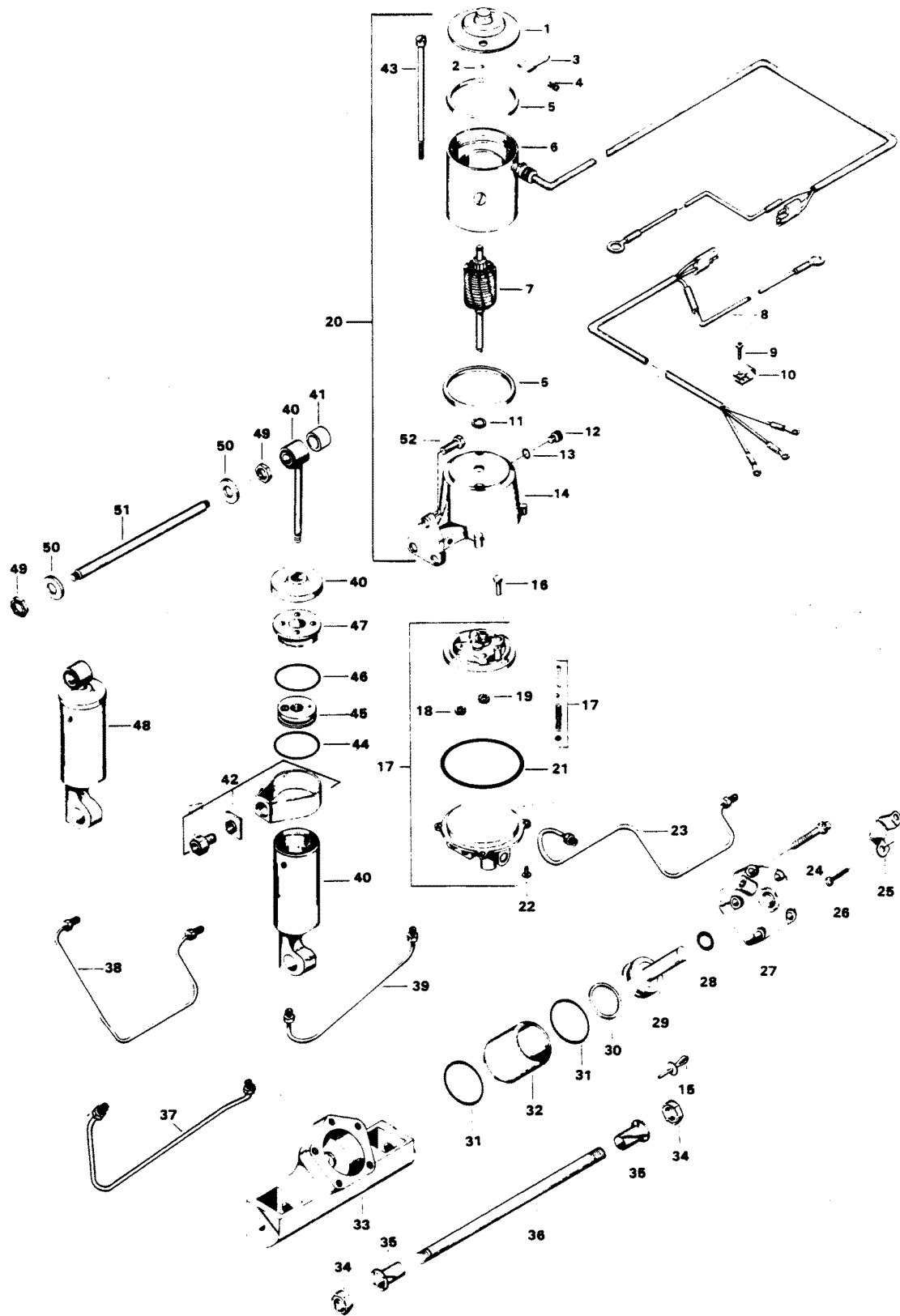


POWER TRIM UNIT

REF. NO.	PART NO.	SYM.	QTY.	DESCRIPTION
1	F17543		1	HEAD ASSEMBLY, COMMUTATOR END
2	F17539		1	BALL
3	F17504		1	BRUSH SET
4	F17500		1	SPRING SET
5	F17557		2	GASKET
6	F17556		1	FIELD AND FRAME ASSEMBLY
7	F17555		1	ARMATURE
8	F500843		1	CABLE
9	F1741		2	THREAD FORMING SCREW, 8 X 3/4
10	F178446		2	CLAMP
11	F17508		A/R	THRUST WASHER
12	F17518		1	FILTER CAP
13	F17510		1	O-RING
14	F17505		1	RESERVOIR AND BRACKET W/SEAL
15	F1966		1	PLUG, SWIVEL BRACKET
16	F1203		1	HEX CAP SCREW, 1/4 - 20 X 7/8
17	F17564		1	VALVE BODY AND PUMP
18	F17566		1	IDLE GEAR
19	F17565		1	DRIVE GEAR
20	F17563		1	MOTOR AND RESERVOIR
21	F17522		1	O-RING
22	F1310		4	ROUND HD SCREW, 10 - 24 X 5/8
23	F449254		1	HYDRAULIC LINE, TRIM CYLINDER, UPPER
24	F1959		5	FERRY HD CAP SCREW, 1/4 - 20 X 1-3/4, STAINLESS STEEL
25	F449354		1	THRUST BRACKET
26	F1734		2	FILL HD MOUNTING SCREW AND LOCKWASHER, 1/4 - 20 X 1/2
27	FA449149		1	COVER W/SEALS AND RETAINER
28	F449342		1	SEAL, PISTON SHAFT
29	FA449015		1	PISTON
30	F449278		1	PISTON SEAL
31	F40278		2	SEAL, CYLINDER
32	F449010		1	CYLINDER
33	F449545-2		1	CYLINDER HOUSING
34	F1963		2	ELASTIC STOP NUT, 5/8 - 18
35	F178362		2	BEARING
36	F449632		1	SHAFT
37	F449253-1		1	HYDRAULIC LINE, TRIM CYLINDER, LOWER
38	F449754-1		1	HYDRAULIC LINE, LIFT CYLINDER, LOWER
39	F449758		1	HYDRAULIC LINE, LIFT CYLINDER, UPPER
40	FA17559		1	LIFT CYLINDER COMPLETE W/ILLUS. 44
41	F178344		2	BUSHING, SHOCK ABSORBER UPPER
42	F17577		1	ADAPTER FITTING PACKAGE

CONTINUED ON NEXT PAGE ➡

POWER TRIM UNIT



POWER TRIM UNIT

REF. NO.	PART NO.	SYM.	QTY.	DESCRIPTION
43	F17558		1	THRU-BOLT PACKAGE
-	F1877		2	TY-RAP (NOT SHOWN)
44	F17561-1		1	O-RING
45	F17562-1		1	PISTON ASSEMBLY
46	F17528		1	O-RING
47	F17560		1	HEAD ASSEMBLY
48	FA178962		1	SHOCK ABSORBER WILLUS. 44
49	F1931		2	STOP NUT, 1/2 - 20, STAINLESS STEEL
50	F1960		2	PLAIN WASHER
51	F449889		1	SHAFT, UPPER
52	F1822		2	HEX CAP SCREW, 5/16 - 18 X 7/8, STAINLESS STEEL

SPECIAL TOOLS - TUNE-UP

REF. NO.	PART NO.	SYM.	QTY.	DESCRIPTION
-	FTA2937-1		0	TIMING TOOL TO ADJUST TIMING POINTER.
-	FT8978		0	TIMING LIGHT FOR ADJUSTING IGNITION TIMING.
-	FT8948-1		0	PULLER TO REMOVE FLYWHEEL.

SPECIAL TOOLS - POWER HEAD

REF. NO.	PART NO.	SYM.	QTY.	DESCRIPTION
-	FT2998		0	TORQUE WRENCH (0 - 100 LBS./FT.) TO TORQUE FLYWHEEL NUT.
-	FT2999		0	TORQUE WRENCH (0 - 600 LBS./FT.) TO TORQUE ALL FASTENERS.
-	FT2991		0	CARBON BRUSH TO REMOVE CARBON DEPOSITS FROM POWER HEAD.
-	FT8914		0	SEAL REMOVER TO REMOVE UPPER CRANKSHAFT BEARING CAGE SEAL.
-	FT8903		0	SEAL INSTALLER TO INSTALL UPPER CRANKSHAFT BEARING CAGE SEAL.
-	FT8907		0	DRIVER HANDLE USED WITH T 8903.
-	FT8925		0	SEAL INSTALLER TO INSTALL LOWER CRANKSHAFT SEAL.
-	FT2953		0	SOCKET TO TORQUE CONNECTING ROD SCREWS.
-	FT2990		0	PISTON PIN TOOL TO REMOVE AND INSTALL PISTON PINS.
-	FT2996		0	RING COMPRESSOR TO INSTALL PISTONS IN CYLINDER.
-	FT8926		0	RING EXPANDER TO INSTALL PISTON RINGS.
-	FT1082		0	SNAP RING PLIER TO REMOVE AND INSTALL DISTRIBUTOR RETAINING RING.
-	FT8933		0	LIFTING HOOK TO LIFT ENGINE.
-	FT8900		0	HOSE CLAMP PLIERS TO REMOVE FUEL LINE CLAMP.

SPECIAL TOOLS - GEAR HOUSING

REF. NO.	PART NO.	SYM.	QTY.	DESCRIPTION
-	FT8948-1		0	PULLER TO REMOVE PROPELLER SHAFT SPOOL FROM GEAR HOUSING.
-	FT11209		0	BEARING GUIDE SET TO REMOVE/INSTALL FORWARD BEARING CUP.
-	FT8918		0	BEARING GUIDE SET TO BE USED WITH T 11209 BEARING GUIDE SET.
-	FT11207		0	BEARING CUP REMOVER TO REMOVE FORWARD BEARING CUP IN GEAR HOUSING.
-	FT11205		0	BEARING INSTALLER/REMOVER TO REMOVE AND INSTALL LOWER DRIVESHAFT BEARING.
-	FT11204		0	BEARING CUP INSTALLER TO INSTALL FORWARD BEARING CUP IN GEAR HOUSING.
-	FT8930-1		0	FEELER GAUGE SET TO USE IN SHIMMING LOWER UNIT.
-	FT8957		0	SEAL INSTALLER TO INSTALL SHIFT ROD SEAL.
-	FT8985		0	SEAL INSTALLER TO INSTALL PROPELLER SHAFT SEAL IN SPOOL.
-	FT8925		0	SEAL INSTALLER TO INSTALL DRIVESHAFT SEAL IN GEAR HOUSING COVER.
-	FT3012		0	SEAL INSTALLER TO INSTALL DRIVESHAFT SEAL IN WATER PUMP.
-	FTA8997		0	SHIM TOOL TO SHIM LOWER UNIT.
-	FT8901		0	INDICATOR HOLDER USED IN CONJUNCTION WITH T 8997.
-	FT8902		0	DIAL INDICATOR USED IN CONJUNCTION WITH T 8997.
-	FT8907		0	DRIVER HANDLE USED WITH T 11204, T 11205, T 11209.
-	FT8919		0	SPRING PIN PUNCH TO REMOVE CLUTCH SPRING PIN.
-	FT7848		0	TORQUE ADAPTER TO HOLD DRIVESHAFT SPLINE WHILE TORQUING.

SPECIAL TOOLS - TEST EQUIPMENT

REF. NO.	PART NO.	SYM.	QTY.	DESCRIPTION
-	FT2951		0	CIRCUIT TRACER TO TROUBLESHOOT ELECTRICAL SYSTEM.
-	FTK8999		0	TEST WHEEL TO TEST MOTOR IN TEST TANK. ORIGINAL FORCE P/N TA 8999
-	FT8950		0	LEAKAGE TESTER TO TEST LOWER UNIT SEALS FOR LEAKAGE.
-	FT8953		0	IGNITION TESTER TO TEST OUTPUT OF C-D UNIT.
-	FT2938-1		0	CONTINUITY TESTER TO TEST CIRCUITS FOR CONTINUITY.

SPECIAL TOOLS - LUBRICANTS AND SEALANTS

REF. NO.	PART NO.	SYM.	QTY.	DESCRIPTION
-	FT2961		0	LUBRICANT - RYKON GREASE #2EP
-	FT2987-1		0	LUBRICANT - ANTI-SEIZE
-	FT8969		0	LUBRICANT - 7 OZ. L PSI LUBRICANT
-	FT8955		0	SEALANT - 5 OZ. EC-750 INDUSTRIAL SEALANT
-	FT8983		0	SEALANT - 3 OZ. RTV SEALANT FROM IN PLACE GASKETS
-	FT8936		0	SEALANT - 2 CC LOCTITE RETAINING COMPOUND #75
-	FT2962-1		0	SEALANT - 50 CC LOCTITE H, NON-HARDENING GRADE
-	FT2963-2		0	SEALANT - 2 OZ. LOCTITE D, HARDENING GRADE
-	FT8935		0	SEALANT PRIMER - 6 OZ.

ACCESSORIES

REF. NO.	PART NO.	SYM.	QTY.	DESCRIPTION
-	F5H014		0	FLUSHING ADAPTER PERMITS FRESH WATER FLUSHING OF WATER PASSAGES WITH STANDARD GARDEN HOSE.
-	F5H130		0	REMOTE CONTROL - SURFACE MOUNT PERMITS REMOTE CONTROL OF THROTTLE AND GEAR SHIFT FROM STARBOARD SIDE OF BOAT.
-	F5H120		0	REMOTE CONTROL BACK PLATE TO PREVENT INTERFERENCE WITH PADDED SIDE OF BOAT.
-	F5H131		0	PORT SIDE DECAL KIT CONVERTS 5H130 CONTROL BOX TO PORT SIDE MOUNTING.
-	F590		0	REMOTE CONTROL - FLUSH MOUNT FLUSH MOUNT CONTROL UNIT PERMITS REMOTE CONTROL OF THROTTLE AND GEAR SHIFT. MAY BE MOUNTED ON PORT OR STARBOARD SIDE OF BOAT.
-	865		0	REMOTE CONTROL - SURFACE MOUNT PERMITS REMOTE CONTROL OF THROTTLE AND GEAR SHIFT ON TWIN ENGINE INSTALLATIONS. MAY BE MOUNTED ON PORT OR STARBOARD SIDE OF BOAT.
-	F5H079		0	SINGLE REMOTE CONTROL BOX PERMITS REMOTE CONTROL OF THROTTLE AND GEAR SHIFT. CONSOLE MOUNTED.
-	F5H080		0	TWIN REMOTE CONTROL BOX PERMITS REMOTE CONTROL OF THROTTLE AND GEAR SHIFT - TWO ENGINES. CONSOLE MOUNTED.
-	F195/___		0	REMOTE CONTROL CABLES CONNECTS REMOTE CONTROL BOX TO THROTTLE AND GEAR SHIFT ON ENGINE. AVAILABLE IN 6 THROUGH 40 FOOT LENGTHS.
-	F5H132		0	REMOTE CONTROL HANDLE TRIM SWITCH HAS POWER TRIM CONTROL SWITCH IN HANDLE. REPLACES STANDARD CONTROL LEVER ON 5H130 CONTROL BOX.
-	F5H108		0	STEERING CONNECTOR CLEVIS TYPE FOR BOAT MOUNTED STEERING AND NONTHEADED CABLE END.
-	F5H094		0	STEERING LINK KIT CONNECTS STEERING CABLE TO ENGINE WHEN USING ENGINE MOUNTED STEERING SYSTEM.
-	F5H018		0	DUAL STEERING CONNECTOR PERMITS DUAL ENGINE INSTALLATIONS.
-	F5H026		0	STEEL, 6 GALLON FUEL TANK (LOW PROFILE) AUXILIARY TANK.
-	F5H029		0	TANK ANCHOR SECURES 5H026 TO BOAT.
-	F5H040		0	STEEL, 12 GALLON FUEL TANK AUXILIARY TANK.
-	F5H019		0	ANTI-CORROSION KIT ELECTRICAL KIT FOR MOUNTING ON BOAT (12V) TO REDUCE CORROSION.
-	F5H025		0	ANTI-CORROSION SACRIFICIAL ANODE KIT USED TO REDUCE CORROSION.
-	F5H043		0	OVERHEAT BUZZER SOUNDS WARNING BUZZER IF ENGINE OVERHEATS.
-	F5H161		0	POWER TRIM INDICATOR INDICATES ENGINE TRIM ANGLE.
-	F5H134		0	BOAT WHITE LACQUER ENGINE TOUCH-UP PAINT IN 12 3/4 OZ. SPRAY BOMBS (6 CANS PER CASE).
-	F5H044		0	TILT STOP KIT LIMITS TILTING ANGLE.

CONTINUED ON NEXT PAGE ➡

ACCESSORIES

REF. NO.	PART NO.	SYM.	QTY.	DESCRIPTION
-	F5H068		0	RFI SUPPRESSION KIT PROVIDES RADIO NOISE SUPPRESSION.
-	F5H151		0	SHOCK ABSORBER KIT TO PROVIDE SHOCK PROTECTION WHEN HITTING UNDERWATER OBJECT.
-	F5H081		0	BATTERY CABLE LONGER LENGTH - 15 FEET.
-	F5H157		0	VOLTMETER - FLUSH MOUNT INDICATES BATTERY CONDITION.
-	5H047		0	CANVAS HOOD PROTECTION FOR ENGINE COVER.
-	F5H021		0	EXTENSION CABLE FOR LENGTHENING BATTERY CABLE 6 1/2 FEET.
-	F5H041		0	BATTERY TERMINAL KIT FOR POSITIVE AND NEGATIVE BATTERY POSTS.
-	71H25		0	CHARGE INDICATOR LAMP GLOWS GREEN WHEN ALTERNATOR IS RECHARGING BATTERY. DO NOT USE INDICATOR LAMP AND AMMETER IN SAME INSTALLATION.
-	F5H037		0	CIGAR LIGHTER FOR USE AS CONVENIENCE OUTLET.
-	5H158		0	FUEL GAUGE FLUSH MOUNT MONITORS FUEL SUPPLY.
-	5H145		0	HYDRAULIC TILT HYDRAULIC UNIT TO RAISE AND LOWER THE LOWER UNIT WHEN BEACHING OR TRAILERING BOAT.
-	479		0	HEAT LAMP KIT GLOWS RED IF ENGINE OVERHEATS. DO NOT USE HEAT LAMP AND TEMPERATURE GAUGE IN SAME INSTALLATION.
-	F5H119		0	PROPELLER SPACER (FLARED) REDUCES PROPELLER VENTILATION ON SOME HULLS.
-	F5H159		0	HOURLY METER RECORDS ENGINE RUNNING TIME.
-	F5H077		0	IGNITION KEY SWITCH SHORT BARREL WITH KEYS.
-	F5H078		0	IGNITION KEY SWITCH LONG BARREL WITH KEYS.
-	F762		0	REMOTE ELECTRIC CABLE 25 FOOT CABLE FOR LARGE BOATS.
-	F5H070		0	REMOTE ELECTRIC CABLE 21 FOOT CABLE FOR LARGE BOATS.
-	5H082		0	REMOTE ELECTRIC CABLE 35 FOOT CABLE FOR LARGE BOATS.
-	F5H028		0	SENDING UNIT FOR USE WITH 5H008 FUEL GAUGE.
-	F5H156		0	TEMPERATURE GAUGE FLUSH MOUNT MONITORS ENGINE TEMPERATURE. DO NOT USE TEMPERATURE GAUGE AND HEAT LAMP IN SAME INSTALLATION.
-	F5H153		0	TACHOMETER FLUSH MOUNT MONITORS ENGINE R.P.M. TO PROVIDE CHECK OF ENGINE PERFORMANCE.
-	F5H149		0	POWER TRIM ADJUSTS ENGINE TRIM AND TILTS ENGINE.
-	F5H155		0	SPEEDOMETER FLUSH MOUNT MONITORS BOAT SPEED (10 - 65 M.P.H.).
-	F5H154		0	SPEEDOMETER FLUSH MOUNT MONITORS BOAT SPEED (10 - 50 M.P.H.).
-	F5H115		0	TRAILERING TILT LOCK SECURES ENGINE IN HALF TILT POSITION FOR TRAILERING.
-	F5H076		0	SWITCH EXTENSION CABLE - 5 FT. ALLOWS INSTALLATION OF IGNITION SWITCH IN 5H130 CONTROL BOX WITH 563 TERMINAL BLOCK.

CONTINUED ON NEXT PAGE ➡

ACCESSORIES

REF. NO.	PART NO.	SYM.	QTY.	DESCRIPTION
-	F5H030		0	SWITCH KIT - RUNNING LIGHTS DASH MOUNTED TOGGLE SWITCH.
-	F5H031		0	SWITCH KIT - SPOT LIGHT DASH MOUNTED TOGGLE SWITCH.
-	F5H032		0	SWITCH KIT - WIPER DASH MOUNTED TOGGLE SWITCH.
-	F5H034		0	SWITCH KIT - BILGE PUMP DASH MOUNTED TOGGLE SWITCH.
-	F5H035		0	SWITCH KIT - HORN DASH MOUNTED TOGGLE SWITCH (MOMENTARY).
-	F5H036		0	SWITCH KIT - TACHOMETER TRANSFER DASH MOUNTED TOGGLE SWITCH FOR ONE TACHOMETER ON DUAL ENGINE INSTALLATION.
-	5H139		0	SWITCH KIT - LIVEWELL FOR OPERATING LIVEWELL PUMP.
-	F5H038		0	SWITCH KIT - IGNITION SWITCH TO MOUNT IGNITION SWITCH ON DASH.
-	F5H039		0	SWITCH KIT - INSTRUMENT LIGHT DASH MOUNTED TOGGLE SWITCH.
-	F563		0	TERMINAL BLOCK KIT DOUBLE ROW 10 SECTION TO SIMPLIFY ACCESSORY INSTALLATION.
-	F5H075		0	WIRING HARNESS - IGNITION SWITCH (24") USE WITH 563 TERMINAL BLOCK.
-	F596		0	CHRYSLER OUTBOARD OIL SEE BLOCK COMMENT 1.
-	F597		0	CHRYSLER OUTBOARD GEAR LUBE SEE BLOCK COMMENT 2.
-	F5H059		0	CHRYSLER OUTBOARD MULTI-PURPOSE GREASE LUBRICATES BEARINGS AND OTHER MOVING PARTS. AVAILABLE IN 8 OZ. TUBES AND 12 TUBE CASES.
-	F5H060		0	CHRYSLER OUTBOARD GREASE GUN

PARTS INDEX

Part Number	Description	Pg.	Ref. No.	Part Number	Description	Pg.	Ref. No.
15169	FRAME AND FIELD ASSEMBLY	9	10	F1286	PAN HD SCREW, 4 - 40 X 3/16	21	40
479	HEAT LAMP KIT	54	-	F1310	ROUND HD SCREW, 10 - 24 X 5/8	45	22
5H047	CANVAS HOOD	54	-	F1341	HEX NUT, 1/4 - 20	21	22
5H082	REMOTE ELECTRIC CABLE	54	-	F1346	HEX NUT, 3/8 - 16	21	6
5H139	SWITCH KIT - LIVWELL	55	-	F1346	HEX NUT, 3/8 - 16	29	29
5H145	HYDRAULIC TILT	54	-	F14006-2	CAP BASE	13	40
5H158	FUEL GAUGE FLUSH MOUNT	54	-	F14007	CAP SCREW	11	36
71H25	CHARGE INDICATOR LAMP	54	-	F14011-1	CAP COVER	11	37
817747--1	BALL JOINT W/STUD	15	28	F14012-1	BRUSH	13	42
817747--1	BALL JOINT W/STUD	21	18	F14015	CAP CLIP RIVET	11	20
817783A5	SWIVEL BRACKET	31	45	F14017	TERMINAL INSULATOR (OUTSIDE)	11	16
817786A1	DISTRIBUTOR PULLEY W/STOP NUT, WASHER AND LITERATURE	11	3	F14020-1	CAP SEAL	13	39
817787A1	CYLINDER DRAIN COVER W/PLUG AND LITERATURE	21	42	F14024	SPACER	13	45
817788A3	SPACER PLATE	23	67	F14025	SPACER	11	4
817822A1	DISTRIBUTOR - COMPLETE.	11	-	F14028	THRUST WASHER	11	5
817892--1	PLATE, IGNITION SWITCH, CANADA (NOT SHOWN)	7	-	F14029	THRUST WASHER	11	7
817931A7	MOTOR LEG COVER	29	10	F14030	CAP GASKET	13	41
817959A3	INTAKE MANIFOLD	15	25	F14036	SWIVEL	11	22
865	REMOTE CONTROL - SURFACE MOUNT	53	-	F14037	CAP CLIPS	11	23
89396A38	PRIME BULB	39	9	F14038	CAP CLIP SCREWS	11	24
A611396	DECAL, STARBOARD	3	-	F14040	VENT	11	38
A611397	DECAL, PORT	3	7	F14041	EXTERNAL TOOTH LOCKWASHER	11	17
F1009	HEX BOLT, 3/8 - 16 X 2-3/4	21	3	F14042	DISTRIBUTOR HOUSING W/BEARINGS	11	21
F1014	COTTER PIN	17	66	F14043	DISTRIBUTOR SHAFT	13	44
F1015	COTTER PIN	35	47	F14045	SCREW	11	28
F1059	FILL HD SCREWS, S.S., 6 - 32 X 1/4	17	70	F14046	TERMINAL SCREW	11	26
F1064	FILL HD SCREWS, S.S., 8 - 32 X 3/8	19	101	F14047	TERMINAL INSULATOR (INSIDE)	11	29
F1072	FILL HD SCREW, 1/4 - 20 X 1-3/4	19	93	F14049	TERMINAL INSULATOR (OUTSIDE)	13	46
F1087	FILL HD SCREW, 10 - 24 X 7/8	5	16	F14056	SCREW	11	30
F1099	FILL HD SCREW, 1/4 - 20 X 1-1/4	21	13	F1425	HEX CAP SCREW, 1/4 - 20 X 2-5/8	35	63
F1108	FILL HD SCREW W/LOCKWASHER, 1/4 - 20 X 3/4	15	11	F1425	HEX CAP SCREW, 1/4 - 20 X 5/8	37	-
F1110	FILL HD SCREW, 1/4 - 20 X 5/8	25	77	F1461	SCREW #6 X 7/8	43	40
F1199	HEX CAP SCREW, 1/4 - 20 X 1	21	15	F1473	HEX NUT, 10 - 24	3	31
F1203	HEX CAP SCREW, 1/4 - 20 X 7/8	45	16	F1475	FILL HD SCREW, 10 - 24 X 1/2	21	20
F1236	HEX HD SCREW, 1/4 - 20 X 1/2	15	42	F1491	HEX CAP SCREW, 5/16 - 18 X 3-1/4	35	41
F1263	HEX SOCKET HD CAP SCREW, 5/16 - 18 X 9/16	29	13	F15034	SPRING SET	9	20
F1280	PAN HD SCREW, 8 - 32 X 1/4	7	52	F1504	FILL HD SCREW, 1/4 - 20 X 1-1/4	19	91
F1280	PAN HD SCREW, 8 - 32 X 1/4	29	20	F1504	FILL HD SCREW, 1/4 - 20 X 1-1/4	21	21
F1280	PAN HD SCREW, 8 - 32 X 1/4	43	42	F15057	BRUSH PLATE AND HOLDER	9	19
				F15080	SPRING	9	3
				F15099	ARMATURE	9	9
				F15100	BENDIX	9	5
				F15110	CLUTCH ASSEMBLY	9	4
				F15111	NUT, STOP RETAINING	9	1
				F15112	STOP, PINION	9	2

PARTS INDEX

Part Number	Description	Pg.	Ref. No.	Part Number	Description	Pg.	Ref. No.
F15126	THRUST WASHER PACKAGE	9	8	F1705	HEX CAP SCREW, 1/4 - 20 X 3/4	5	38
F1513	HEX NUT	5	8	F1705	HEX CAP SCREW, 1/4 - 20 X 3/4	33	1
F1513	HEX NUT	41	3	F1705	HEX SLOT HD SCREW, 1/4 - 20 X 3/4	29	3
F1513	HEX NUT, 10 - 32	15	33	F17068	DETENT SPRING	41	37
F1513	HEX NUT, 10 - 32	21	16	F17071	FILL HD SCREW, 10 - 24 X 5/16	41	22
F1515	HEX NUT	5	37	F1708	HEX HD CAP SCREW, 1/4 - 20 X 1-3/8	3	15
F1515	HEX NUT, 5/16 - 18	17	56	F1708	HEX HD SCREW, 1/4 - 20 X 1-3/8	25	100
F15165	BRUSH TERMINAL SET	9	11	F17082-1	DETENT BALL	41	38
F15167	HEAD ASSEMBLY DRIVE END	9	7	F17092	SNAP RING	41	21
F15168	THRU BOLT PACKAGE	9	14	F17099	HOUSING	41	36
F1528	WELCH PLUG	29	38	F17100	CLUTCH SHAFT	41	20
F1532	HEX HD SCREW, 1/4 - 20 X 1	17	47	F17103	BAG ASSEMBLY (NOT SHOWN)	43	-
F1532	HEX HD SCREW, 1/4 - 20 X 1	23	43	F17105	FELT WASHER	41	33
F154317	CABLE CLAMP	41	23	F17106	COLLAR	41	34
F1556	FILL HD SCREW W/LOCKWASHER, 10 - 24 X 3/8	21	23	F17111	DETENT BALL	41	17
F1557	FLAT HD SCREW, 10 - 24 X 3/8	41	25	F17112	JUNCTION BOARD, STARBOARD	41	26
F1577	FILL HD SCREW, 1/4 - 20 X 3/4	33	20	F17113	JUNCTION BOARD, PORT ..	41	-
F1593	HEX HD SCREW, 3/8 - 16 X 3	29	27	F1713	SPRING PIN	33	26
F1612	HEX CAP SCREW, 3/8 - 16 X 1-1/4	11	8	F17146	WOOD SCREW	41	35
F1641	LOCK NUT, 1/4 - 28	9	6	F17147	INTERNAL TOOTH LOCKWASHER	41	12
F1645	RD HD SCREW, 6 - 32 X 1/4	5	39	F17148	DECAL, STARBOARD	41	27
F1645	RD HD SCREW, 6 - 32 X 1/4	17	51	F17149	COTTER PIN	41	8
F1647	HEX NUT, 10 - 32	25	76	F1715	HEX BOLT, 1/4 - 28 X 9/16 ..	41	7
F1647	HEX NUT, 8 - 32	5	20	F1727	PLASTIC RIVET	21	25
F1647	HEX NUT, 8 - 32	11	18	F1729	PLUG	29	9
F1648	PAN HD SCREW, 10 - 24 X 3/4	5	24	F1730	PAN HD SCREW, W/SPRING LOCKWASHER, 1/4 - 20 X 5/8	3	5
F1664	SPRING PIN	29	11	F1733	PAN HD SCREW, 10 - 24 X 9/16	3	2
F1689	HEX HD CAP SCREW, 1/4 - 20 X 1/2	5	5	F1734	FILL HD MOUNTING SCREW AND LOCKWASHER, 1/4 - 20 X 1/2	45	26
F1692	WOODRUFF KEY	13	43	F1734	FILL HD SCREW W/LOCKWASHER, 1/4 - 20 X 1/2	5	29
F1693	TIE BAR RETAINER	19	100	F1741	PAN HD SCREW, 8 X 3/4 ...	7	53
F1696	HEX BOLT, 5/16 - 18 X 1-3/4	29	24	F1741	THREAD FORMING SCREW, 8 X 3/4	45	9
F17006	DETENT SPRING	41	18	F17500	SPRING SET	45	4
F17009	BEARING	41	14	F17504	BRUSH SET	45	3
F17010-1	THROTTLE GEAR	41	16	F17505	RESERVOIR AND BRACKET W/SEAL	45	14
F17011	BOWED WASHER	41	15	F17508	THRUST WASHER	45	11
F17012	RETAINING PLATE	41	13	F17510	O-RING	45	13
F17013	FILL HD SCREW, 1/4 - 20 X 1/2	41	11	F17518	FILTER CAP	45	12
F17014	THROTTLE ARM	41	10	F17522	O-RING	45	21
F17016	CABLE TERMINAL	41	9	F17528	O-RING	47	46
F17019	CLUTCH ARM	41	5	F17539	BALL	45	2
F17021	CLUTCH GEAR	41	19	F17543	HEAD ASSEMBLY, COMMUTATOR END	45	1
F17026	SWIVEL	41	24				
F1703	SPRING LOCKWASHER ...	23	65				
F1703	SPRING LOCKWASHER ...	31	55				
F17030-1	SET SCREW	41	31				
F17031-1	SNAP CAP	41	28				
F17036	INTERNAL TOOTH LOCKWASHER	41	6				
F1704	INTERNAL TOOTH LOCKWASHER	17	50				

PARTS INDEX

Part Number	Description	Pg.	Ref. No.	Part Number	Description	Pg.	Ref. No.
F1755	RD HD SCREW W/LOCKWASHER, 6 - 32 X 5/16	15	17	F1864	HEX HD SCREW, 1/4 - 20 X 3/4	21	8
F17555	ARMATURE	45	7	F1864	HEX HD SCREW, 1/4 - 20 X 3/4	23	52
F17556	FIELD AND FRAME ASSEMBLY	45	6	F1866	PLAIN WASHER	33	16
F17557	GASKET	45	5	F1867	HEX CAP SCREW, 3/8 - 16 X 1	27	19
F17558	THRU-BOLT PACKAGE	47	43	F1869	HEX BOLT, 3/8 - 16 X 1-1/4	23	64
F17560	HEAD ASSEMBLY	47	47	F1871	HEX HD SCREW, 3/8 - 16 X 3/4	31	56
F17561-1	O-RING	47	44	F1872	HEX BOLT, 3/8 - 16 X 1-3/4	21	14
F17562-1	PISTON ASSEMBLY	47	45	F1873	HEX BOLT, 3/8 - 16 X 3	21	5
F17563	MOTOR AND RESERVOIR	45	20	F1877	TY-RAP	5	14
F17564	VALVE BODY AND PUMP	45	17	F1877	TY-RAP (NOT SHOWN)	47	-
F17565	DRIVE GEAR	45	19	F1883	HEX BOLT, 5/16 - 18 X 2-3/8	25	72
F17566	IDLE GEAR	45	18	F1885	HEX BOLT, 5/16 - 18 X 4-1/4	23	56
F17577	ADAPTER FITTING PACKAGE	45	42	F1885	HEX CAP SCREW, 5/16 - 18 X 4-1/4	33	6
F1759	SHIM, DISTRIBUTOR (QTY. AS REQUIRED)	11	15	F1892	STOP NUT	5	11
F1760	PAN HD SCREW, 10 - 24 X 3/8	5	36	F1904	PLAIN WASHER	29	28
F1760	PAN HD SCREW, 10 - 24 X 3/8	11	13	F1907	PLAIN WASHER	33	7
F1760	PAN HD SCREW, 10 - 24 X 3/8	19	88	F1910	STOP NUT, 1/4 - 20	15	30
F1760	PAN HD SCREW, 10 - 24 X 3/8	21	2	F19109	PLUG	25	83
F177330	FUEL PUMP VALVE	15	8	F19109	PLUG, GEAR HOUSING	35	31
F1778	PLAIN WASHER	11	9	F1912	HEX HD SCREW, 10 - 24 X 1/2	31	57
F178323	SEAL, MOTOR LEG	29	15	F1916	HEX HD SCREW, 1/4 - 20 X 1-1/8	15	27
F178344	BUSHING, SHOCK ABSORBER UPPER	45	41	F1916	HEX HD SCREW, 1/4 - 20 X 1-1/8	25	87
F178362	BEARING	45	35	F1922	HEX CAP SCREW, 1/4 - 20 X 5/8	15	3
F178446	CLAMP	45	10	F1922	HEX HD SCREW, 1/4 - 20 X 5/8	9	16
F1788	STOP NUT	33	15	F1922	HEX HD SCREW, 1/4 - 20 X 5/8	23	46
F17932	SEAL, FUEL TANK ADAPTER	39	12	F1922	HEX SLOT HD SCREW, 1/4 - 20 X 5/8	3	16
F18160-2	REED	21	37	F1931	STOP NUT, 1/2 - 20, STAINLESS STEEL	47	49
F1822	HEX BOLT, 5/16 - 18 X 7/8	31	50	F1934	FLAT HD SLOTTED SCREW, 6 X 1/2	7	48
F1822	HEX CAP SCREW, 5/16 - 18 X 7/8, STAINLESS STEEL	47	52	F1936	SPACER, BEVEL GEAR FRONT .059	33	28
F1832	STOP NUT, 1/4 - 20	23	61	F1937	SPACER, BEVEL GEAR FRONT .062	33	-
F1836	PLAIN WASHER	37	72	F1938	SPACER, BEVEL GEAR FRONT .065	33	-
F184033-1	CHOKE ARM SWIVEL	17	69	F1939	SPACER, BEVEL GEAR FRONT .068	33	-
F184579	SEAL, CHOKE ARM SWIVEL	17	68	F1940	SPACER, BEVEL GEAR FRONT .071	33	-
F1851	FILL HD SCREW W/LOCKWASHER, 10 - 24 X 1/2	5	1	F1941	SPACER, BEVEL GEAR FRONT .074	33	-
F1854	HEX CAP SCREW, 1/4 - 20 X 5/8	3	26	F1942	SPACER, BEVEL GEAR FRONT .077	33	-
F1857	HEX CAP SCREW, 5/16 - 18 X 5/8	3	19	F195/_	REMOTE CONTROL CABLE (SPECIFY LENGTH)	41	4
F1857	HEX CAP SCREW, 5/16 - 18 X 5/8	3	34	F195/_	REMOTE CONTROL CABLES	53	-
F1858	HEX CAP SCREW, 5/16 - 18 X 1	3	20				
F1858	HEX CAP SCREW, 5/16 - 18 X 1	35	39				
F1860	SLOTTED BINDING HD SCREW, 6 - 32 X 1/4	15	7				

PARTS INDEX

Part Number	Description	Pg.	Ref. No.	Part Number	Description	Pg.	Ref. No.
F1959	FERRY HD CAP SCREW, 1/4 - 20 X 1-3/4, STAINLESS STEEL	45	24	F2116	SPACER, BEVEL GEAR FRONT .089	33	-
F1960	PLAIN WASHER	47	50	F2121	SPACER, BEVEL GEAR FRONT .057	33	-
F1963	ELASTIC STOP NUT, 5/8 - 18	45	34	F2122	SPACER, BEVEL GEAR FRONT .054	33	-
F1966	PLUG, SWIVEL BRACKET	45	15	F213274	GREASE FITTING	11	11
F1968	FLYWHEEL NUT	27	21	F213274	GREASE FITTING	31	46
F1975	SPRING LOCKWASHER	5	9	F213342	SEAL, FUEL LINE COUPLER (LARGE)	39	4
F1975	SPRING LOCKWASHER	11	12	F213735	SEAL, FUEL LINE COUPLER (SMALL)	39	5
F197787-3	FUEL LINE COUPLER	39	6	F24278	PROPELLER SHAFT SPOOL SEAL	37	-
F1987	PLAIN WASHER	25	71	F24278	SEAL, O-RING PROPELLER SHAFT SPOOL	33	10
F1987	PLAIN WASHER	31	61	F269319	BEARING	15	31
F1990	HEX CAP SCREW	37	-	F284659-2	CRANKSHAFT THRUST BEARING, UPPER	27	22
F1990	HEX CAP SCREW, 1/4 - 20 X 1-5/8	35	61	F289446-1	CLAMP	5	27
F1994	HEX SOCKET HD CAP SCREW, 5/16 - 18 X 1	35	37	F298788	FERRULE	39	7
F1997	STOP NUT, 8 - 32	17	59	F2A404757	CYLINDER DRAIN REED PLATE	21	36
F2000	HEX CAP SCREW, 5/16 - 18 X 3/4	7	44	F2A498023	BEVEL GEAR FRONT W/BEARING	33	29
F2008	HEX BOLT, 1/4 - 20 X 7/8	25	88	F2A498662	BEVEL GEAR REAR W/BEARING CAGE, SPACER AND BEARING	33	22
F2008	HEX CAP SCREW, 1/4 - 20 X 7/8	25	98	F2A523239	SPOOL, PROPELLER SHAFT BEARING	33	11
F2008	HEX CAP SCREW, 1/4 - 20 X 7/8	35	55	F2A550706	GEAR HOUSING COVER	35	53
F2008	HEX HD SCREW, 1/4 - 20 X 7/8	15	26	F307317	CLIP, TERMINAL BLOCK	5	33
F2014	PLAIN WASHER	31	63	F316579	SEAL, CRANKCASE	27	11
F2015	HEX NUT, 1/4 - 28	21	30	F316599	SEAL, STEERING SUPPORT TUBE	29	37
F2016	FILL HD SCREW, 6 - 32 X 7/8	17	53	F319908	GROUND WIRE, CANADA	7	41
F2030	HEX HD SCREW, 1/4 - 20 X 1-1/4	31	54	F321756	PACKING	3	27
F203276	BOOT	11	32	F321841-3	LEAD WIRE	11	35
F2033	GROOVE PIN	15	39	F333316	THROTTLE ROLLER SHAFT	17	62
F203673	TERMINAL CLIP	11	33	F335215	SPACER, PISTON PIN (2 PER PISTON)	27	3
F2042	PLAIN WASHER	21	31	F335217-1	BEARING PISTON PIN (26 PER SET)	27	5
F2047	WAVE SPRING WASHER	3	23	F335654-1	DEFLECTION STOP	3	17
F2050	HEX HD SCREW, 1/4 - 20 X 1-1/2	15	36	F338618-1	GEAR SHIFT ROD SEAL	37	-
F2066	PAN HD TAPPING SCREW, 10 X 7/16	3	35	F338618-1	SEAL, GEAR SHIFT ROD	35	56
F2067	PLASTISOL CAP (NOT SHOWN) FOR EXPOSED THREADS OF CRANKSHAFT	27	-	F345475-1	COIL	5	3
F2088	FASTENER	3	29	F345683	WIRE, REGULATOR-RECTIFIER GROUND	5	19
F2089	SLOTTED PAN HD MACHINE SCREW, 10 - 24 X 5/16	23	58	F351307	SEAL, WATER PUMP	35	64
F2090	PLUG	23	68	F353480	STUD	29	30
F2093	STOP NUT, 3/8 - 24	29	16	F369529-1	CYLINDER HEAD GASKET	23	-
F2107	FILL HD SCREW, 10 - 24 X 5/8	5	23	F369529-1	CYLINDER HEAD GASKET BEARING	25	84
F2108	LOCK NUT, 5/16 - 18	31	60	F369610	BEARING	23	55
F2108	STOP NUT, 5/16 - 18	23	59	F369887	SHOULDER SCREW	23	54
F2113	SPACER, BEVEL GEAR FRONT .080	33	-	F369977-1	INTERLOCK ARM	23	63
F2114	SPACER, BEVEL GEAR FRONT .083	33	-	F373778-1	RETAINER, ENGINE COVER	3	37
F2115	SPACER, BEVEL GEAR FRONT .086	33	-	F381896-4	BATTERY CABLE	7	45
				F391926-1	CHOKE SOLENOID PLUNGER	15	40

PARTS INDEX

Part Number	Description	Pg.	Ref. No.	Part Number	Description	Pg.	Ref. No.
F391983	BAND, RETAINING	5	6	F449632	SHAFT	45	36
F3A523158	REED PLATE	15	21	F449754-1	HYDRAULIC LINE, LIFT CYLINDER, LOWER	45	38
F3C611944	ENGINE COVER COMPLETE.	3	-	F449758	HYDRAULIC LINE, LIFT CYLINDER, UPPER	45	39
F40209	CARBURETOR STUD	17	55	F449889	SHAFT, UPPER	47	51
F40223	GASKET, TRANSFER PORT COVER	23	48	F449894	INDICATOR - STARBOARD	41	32
F40223	TRANSFER PORT COVER GASKET	23	-	F455449	SWITCH, TRIM	41	39
F40278	SEAL, CYLINDER	45	31	F460917	STARTER RELAY	5	40
F404097	FLYWHEEL	5	17	F474073-1	CLAMP SCREW	29	32
F404268	SPRING, BY-PASS VALVE	25	95	F474387	TIMING DECAL	5	18
F404470-1	REGULATOR-RECTIFIER	5	22	F476066-1	COVER, THERMOSTAT	25	78
F404513	COIL CLAMP	5	2	F476067	GASKET, THERMOSTAT COVER	25	81
F404801	FITTING	23	44	F476067	THERMOSTAT COVER GASKET	23	-
F404841	CABLE, HEAT INDICATOR	7	55	F480038-2	SUPPORT PLATE	3	12
F40689-1	BEARING, TOWERSHAFT	23	66	F480107-1	CAM, STARTER INTERLOCK	23	57
F407446	CLAMP	7	46	F480388	DISC, WATER PUMP LOCATING	35	62
F409251-1	GAUGE CAP	39	1	F480518	CYLINDER HEAD	25	82
F433209-1	STUD	15	34	F480551-1	BRACKET INTERLOCK SWITCH	17	48
F433253	HOSE	23	45	F480818	BEARING, LATCH SHAFT	3	9
F438066	BY-PASS VALVE COVER	25	93	F480955	STARTER - COMPLETE.	9	-
F438129	SEAL, DRIVESHAFT SPLINE	37	71	F481061-2	CARBURETOR COMPLETE (WB-21C)	17	83
F438165	SCREW, FUEL PUMP BOWL	15	16	F481382-1	SPACER, LATCH SHAFT	3	24
F438169	BEARING	29	40	F481434	GUIDE, ENGINE COVER	3	28
F438271	RETAINER, CRANKSHAFT SPLINE SEAL	37	70	F481567	CARBURETOR INTAKE ADAPTER	19	95
F438346	SHOCK MOUNT, LOWER	31	51	F481774	BRACKET, ENGINE COVER LATCH	3	30
F438398-1	DECAL, WIRING - USA	25	86	F481777	CAM, LATCH SHAFT	3	22
F438500	FUEL SEDIMENT BOWL	15	15	F481836	INTAKE GASKET	19	87
F438617	FUEL SEDIMENT BOWL GASKET	15	13	F481836	INTAKE GASKET	23	-
F438653	FUEL SEDIMENT BOWL SCREEN	15	14	F481860-1	CARBURETOR, INTAKE	19	94
F438668	RETAINER, CABLE CLAMP	5	28	F485755-1	FUEL TANK ADAPTER	39	3
F438744-1	WIRING HARNESS	5	30	F498618	GEAR SHIFT ARM PIN SEAL	37	-
F438747	FUEL PUMP DIAPHRAGM	15	6	F498618	SEAL	35	33
F438754	FUEL LINE	17	44	F498891	PIN, GEAR SHIFT ARM	35	32
F438760	FUEL PUMP GASKET	15	2	F498891	PIN, PROPELLER NUT RETAINING	33	14
F438801	FITTING	15	12	F499995	CYLINDER HEAD COVER	25	73
F438841-1	LEAD WIRE - CANADA MODEL ONLY	11	-	F500843	CABLE	45	8
F438905	COIL WIRE - CANADA MODEL ONLY	11	-	F50109	PLUG, GEAR HOUSING	35	44
F438930	RETAINER, SNOOT	35	36	F50342-1	BEARING CAGE BOLT SEAL	37	-
F438962	SHOCK MOUNT SIDE	29	12	F50342-1	SEAL, BEARING CAGE BOLTS	33	8
F439736	SEAL EXHAUST TUBE	29	8	F506118	PROPELLER SHAFT SEAL	37	-
F448446	CLAMP, TRIM SWITCH CABLE	43	41	F506118	SEAL, DRIVESHAFT	35	52
F448543	KNOB	41	29	F506118	SEAL, PROPELLER SHAFT	33	9
F448611-1	LEVER, REMOTE CONTROL	41	30	F510374	DECAL, CIRCUIT BREAKER	5	31
F448894	INDICATOR - PORT	41	-	F510460	CIRCUIT BREAKER	5	32
F449010	CYLINDER	45	32	F511125-2	TUBE, STEERING SUPPORT	29	36
F449253-1	HYDRAULIC LINE, TRIM CYLINDER, LOWER	45	37	F511675	STARTER BRACKET, LOWER	9	17
F449254	HYDRAULIC LINE, TRIM CYLINDER, UPPER	45	23	F523031	GASKET, WATER PUMP	35	57
F449278	PISTON SEAL	45	30	F523031	GASKET, WATER PUMP	37	-
F449342	SEAL, PISTON SHAFT	45	28				
F449354	THRUST BRACKET	45	25				
F449545-2	CYLINDER HOUSING	45	33				

PARTS INDEX

Part Number	Description	Pg.	Ref. No.	Part Number	Description	Pg.	Ref. No.
F523065-1	IMPELLER	37	-	F5H026	FUEL TANK (ACCESSORY ITEM)	39	2
F523065-1	WATER PUMP IMPELLER	35	59	F5H026	STEEL, 6 GALLON FUEL TANK (LOW PROFILE)	53	-
F523094-2	PROPELLER NUT	33	13	F5H028	SENDING UNIT	54	-
F523099-1	SPACER, PROPELLER	33	19	F5H029	TANK ANCHOR	53	-
F523116	EXHAUST SNOOT	35	38	F5H030	SWITCH KIT - RUNNING LIGHTS	55	-
F523133-2	MOTOR LEG	29	14	F5H031	SWITCH KIT - SPOT LIGHT	55	-
F523146	SEAL, CRANKSHAFT LOWER	27	13	F5H032	SWITCH KIT - WIPER	55	-
F523188	NUT, BEVEL PINION RETAINING	35	34	F5H034	SWITCH KIT - BILGE PUMP	55	-
F523244	INLET WATER LINE	33	5	F5H035	SWITCH KIT - HORN	55	-
F523273	STEERING BALL STUD	29	23	F5H036	SWITCH KIT - TACHOMETER TRANSFER	55	-
F523274	GREASE FITTING	29	35	F5H037	CIGAR LIGHTER	54	-
F523280	NUT, STEERING SUPPORT TUBE	31	41	F5H038	IGNITION SWITCH MOUNTING KIT (ACCESSORY ITEM)	7	49
F523300-1	SPRING	29	19	F5H038	SWITCH KIT - IGNITION SWITCH	55	-
F523411	RETAINING RING	33	23	F5H039	SWITCH KIT - INSTRUMENT LIGHT	55	-
F523451	SPACER, REED STOP	15	19	F5H040	STEEL, 12 GALLON FUEL TANK	53	-
F523498	DRIVE KEY, WATER PUMP	35	68	F5H041	BATTERY TERMINAL KIT	54	-
F523498	KEY	37	-	F5H043	OVERHEAT BUZZER	53	-
F523555	GEAR HOUSING COVER SEAL	37	-	F5H043	OVERHEAT BUZZER (ACCESSORY ITEM)	7	54
F523555	SEAL, O-RING - GEAR HOUSING COVER	35	49	F5H044	TILT STOP KIT	53	-
F523562	PLATE, WATER PUMP	37	-	F5H059	CHRYSLER OUTBOARD MULTI-PURPOSE GREASE	55	-
F523562	WATER PUMP BACK PLATE	35	58	F5H060	CHRYSLER OUTBOARD GREASE GUN	55	-
F523705	GEAR SHIFT ROD, LOWER	35	46	F5H068	RFI SUPPRESSION KIT	54	-
F523813	BEARING CUP	33	30	F5H070	REMOTE ELECTRIC CABLE	54	-
F523834	CLIP, SPARK PLUG WIRE	25	99	F5H075	WIRING HARNESS - IGNITION SWITCH (24")	55	-
F523881-2	STEERING LINK	29	17	F5H076	SWITCH EXTENSION CABLE - 5 FT.	54	-
F523899	GROMMET, WATER LINE	33	4	F5H077	IGNITION KEY SWITCH	54	-
F523930	RETAINER	29	22	F5H078	IGNITION KEY SWITCH	54	-
F523961	CRUSH RING	35	50	F5H078	IGNITION SWITCH (LONG BARREL)	7	51
F523962	SHOCK MOUNT, C.D. UNIT	5	13	F5H079	SINGLE REMOTE CONTROL BOX	53	-
F528068	THERMOSTAT	25	80	F5H080	TWIN REMOTE CONTROL BOX	53	-
F530160	REED (5 PETAL)	15	20	F5H081	BATTERY CABLE	54	-
F531892	DECAL, PORT	41	-	F5H094	STEERING LINK KIT	53	-
F532299	WASHER, PROPELLER SPLINE	33	17	F5H108	STEERING CONNECTOR	53	-
F53504	GROMMET	19	92	F5H115	TRAILERING TILT LOCK	54	-
F545189	BUSHING, CABLE ENTRY	3	14	F5H119	PROPELLER SPACER (FLARED)	54	-
F548984	BLANKET, SILENCER TOP (NOT SHOWN)	3	-	F5H120	REMOTE CONTROL BACK PLATE	53	-
F548985	BLANKET, SILENCER SIDE (NOT SHOWN)	3	-	F5H130	REMOTE CONTROL - SURFACE MOUNT	53	-
F549189	BUSHING, ELECTRIC CABLE	3	13	F5H131	PORT SIDE DECAL KIT	53	-
F563	TERMINAL BLOCK KIT	55	-	F5H132	REMOTE CONTROL HANDLE TRIM SWITCH	53	-
F58685-2	CONNECTOR, SHIFT CABLE	41	2				
F590	REMOTE CONTROL - FLUSH MOUNT	53	-				
F596	CHRYSLER OUTBOARD OIL	55	-				
F597	CHRYSLER OUTBOARD GEAR LUBE	55	-				
F5H014	FLUSHING ADAPTER	53	-				
F5H018	DUAL STEERING CONNECTOR	53	-				
F5H019	ANTI-CORROSION KIT	53	-				
F5H021	EXTENSION CABLE	54	-				
F5H025	ANTI-CORROSION SACRIFICIAL ANODE	53	-				

PARTS INDEX

Part Number	Description	Pg.	Ref. No.	Part Number	Description	Pg.	Ref. No.
F5H134	BOAT WHITE LACQUER . . .	53	-	F84146-2	SEAL	27	20
F5H149	POWER TRIM	54	-	F84278	CRANKSHAFT BRG. SEAL		
F5H151	SHOCK ABSORBER KIT . . .	54	-		CAGE SEAL	23	-
F5H153	TACHOMETER FLUSH			F84278	SEAL, CRANKSHAFT		
	MOUNT	54	-		BEARING CAGE	27	17
F5H154	SPEEDOMETER FLUSH			F84286-1	FRICTION WASHER	31	44
	MOUNT	54	-	F84305	PROPELLER SHAFT SPOOL		
F5H155	SPEEDOMETER FLUSH				SEAL	37	-
	MOUNT	54	-	F84305	SEAL, PROPELLER SHAFT		
F5H156	TEMPERATURE GAUGE				BEARING SPOOL	33	12
	FLUSH MOUNT	54	-	F84307-1	DRIVE SHAFT SEAL	37	-
F5H157	VOLTMETER - FLUSH			F84314-2	ELBOW	15	4
	MOUNT	54	-	F84314-2	ELBOW	21	28
F5H159	HOURMETER	54	-	F84342	SEAL, INLET WATER LINE		
F5H161	POWER TRIM INDICATOR .	53	-		UPPER	33	3
F63754	HOSE INTAKE DRAIN	19	90	F84449	INTERLOCK SWITCH	17	49
F7004	STOP NUT, 3/18 - 16	21	33	F84504	GROMMET	25	79
F7012	LOCK NUT, 1/2 - 20	29	26	F84504	THERMOSTAT GROMMET .	23	-
F7013	STOP NUT	11	2	F84521-1	CLUTCH	33	27
F71H26	BATTERY TERMINAL KIT			F84792	GASKET, FUEL PUMP		
	(ACCESSORY ITEM)	7	47		VALVE	15	9
F74305	GEAR HOUSING COVER			F84871-1	PIN, GEAR SHIFT	33	25
	SEAL	37	-	F85017	PISTON PIN	27	4
F74305	SEAL, DRIVESHAFT			F85026	SWIVEL	21	27
	BEARING CAGE	35	51	F85033	CHOKE ROD SWIVEL	15	37
F762	REMOTE ELECTRIC CABLE	54	-	F85035	DISTRIBUTOR CONTROL		
F8003	PLAIN WASHER	21	39		ROD END	21	32
F8011	PLAIN WATER	5	35	F85036	TOWERSHAFT CONTROL		
F8026	PLAIN WASHER	19	-		ROD END	21	26
F8028	PLAIN WASHER	9	15	F85037-1	STERN BRACKET PIVOT		
F8038	PLAIN WASHER	21	4		BOLT	31	43
F8038	PLAIN WASHER	29	18	F85095-2	STATOR	5	15
F8056	LOCKWASHER	11	19	F85117	BRACKET, WATER LINE . . .	33	2
F8056	LOCKWASHER	11	27	F85122	CRANKCASE SEAL	23	-
F8056	SPRING LOCKWASHER	5	21	F85122	PARTING LINE SEAL	21	11
F8056	SPRING LOCKWASHER	25	75	F85130	BOOT, IDLE EXHAUST	29	5
F8058	INTERNAL TOOTH			F85151-1	EXHAUST PORT PLATE	25	91
	LOCKWASHER	15	29	F85152-4	EXHAUST PORT COVER	25	89
F8058	INTERNAL TOOTH			F85154-1	EXHAUST PORT PLATE		
	LOCKWASHER	23	49		GASKET	23	-
F8077	WASHER	37	-	F85154-1	GASKET, EXHAUST PORT		
F8077	WASHER, GEAR HOUSING				PLATE	25	90
	PLUG	35	43	F85159	GASKET, INTAKE MANIFOLD	15	24
F8080	SPRING LOCKWASHER	29	21	F85159	MANIFOLD GASKET	23	-
F8083	SPRING LOCKWASHER	3	21	F85161-1	REED STOP	15	18
F8083	SPRING LOCKWASHER	5	4	F85162	REED PLATE ADAPTER	15	23
F8083	SPRING LOCKWASHER	29	2	F85168	CARBURETOR ADAPTER		
F8083	SPRING LOCKWASHER	35	54		FLANGE GASKET	23	-
F8083	SPRING LOCKWASHER	37	-	F85168	GASKET REED PLATE		
F8088	PLAIN WASHER	17	52		ADAPTER	15	22
F8088	PLAIN WASHER	17	67	F85173	RETAINING RING	11	6
F8094	PLAIN WASHER	3	25	F85192-1	THROTTLE CAM	15	32
F8095	PLAIN WASHER	21	7	F85210	STUD	21	9
F8096	SPRING LOCKWASHER	3	18	F85211	STUD, REAR	25	85
F8096	SPRING LOCKWASHER	3	33	F85253-1	FUEL LINE	17	46
F8096	SPRING LOCKWASHER	7	43	F85258	INSERT	29	4
F8096	SPRING LOCKWASHER	31	49	F85279-2	CYLINDER EXHAUST		
F8096	SPRING LOCKWASHER	35	40		GASKET, UPPER	23	53
F84011	WASHER	31	47	F85279-2	CYLINDER, EXHAUST -		
F84074	CLAMP SCREW FOOT	29	31		UPPER GASKET	23	-

PARTS INDEX

Part Number	Description	Pg.	Ref. No.	Part Number	Description	Pg.	Ref. No.
F85311	DISTRIBUTOR BELT	11	1	F91446-1	CIRCUIT BREAKER		
F85314-1	FUEL FITTING	17	45		BRACKET	5	34
F85317-1	CLAMP	15	41	F92759	THROTTLE ROLLER	17	63
F85372	PIN, GEAR SHIFT ROD, LOWER	35	48	F93811	SCREEN	21	35
F8538	SPRING PIN	29	33	F93920	REED STOP	21	38
F85380	SPRING	29	6	F97772	FUEL LINE CLAMP	39	11
F85410	SNAP RING	27	8	F97772	HOSE CLAMP	17	43
F85445	DISTRIBUTOR CONTROL ROD	21	29	F98273	ROD END CONNECTOR STUD	23	51
F85472-2	CYLINDER DRAIN COVER GASKET	23	-	FA14048-2	PREAMPLIFIER	11	25
F85472-2	GASKET, CYLINDER DRAIN COVER	21	41	FA15072	HEX LOCK NUT, 1/4 - 20 W/LOCKWASHER	9	12
F85498	FLYWHEEL KEY	27	16	FA17559	LIFT CYLINDER COMPLETE	45	40
F85502	THROTTLE LINK	21	17	FA178962	SHOCK ABSORBER	47	48
F85509-1	CHOKE LINK	17	71	FA321574	DISTRIBUTOR BRACKET	11	10
F85571	BEARING CAGE W/ROLLER	27	10	FA335260	PISTON RING SET (3 PER SET)	27	1
F85606	KINGPIN CAP	31	53	FA368700	IGNITION KEY - NO LETTER OR STAMPED A	7	50
F85610	BEARING	23	60	FA411222	TRANSFER PORT COVER	23	47
F85615	GEAR SHIFT ROD UPPER	31	59	FA438431	FUEL PUMP BODY	15	10
F8563	DOWEL PIN	21	10	FA438493	TERMINAL BLOCK BRACKET WITH ITEMS 28, 29 AND LITERATURE	5	26
F85634-2	CONNECTING ROD SCREW	27	14	FA439746	FUEL PUMP COVER	15	1
F85660-1	EXHAUST TUBE	29	1	FA449015	PISTON	45	29
F85664	DISTRIBUTOR GROUND	11	14	FA449149	COVER W/SEALS AND RETAINER	45	27
F85664	GROUND WIRE	5	7	FA480179	TRIM, TOP	3	1
F85704	COUPLER, GEARSHIFT ROD UPPER	31	48	FA480269	TILT HANDLE	3	3
F85748-2	CYLINDER DRAIN REED PLATE GASKET	23	-	FA480876	GEAR SHIFT ARM	23	62
F85748-2	GASKET, CYLINDER DRAIN REED PLATE	21	34	FA480894	TIMING POINTER	21	1
F85762	BY-PASS VALVE GASKET	23	-	FA481469	ENGINE COVER LATCH HANDLE W/SHAFT	3	10
F85762	GASKET, BY-PASS VALVE	25	94	FA481743	BRACKET, ROLLER LATCH W/ROLLER	3	32
F85772	CLAMP	29	7	FA498266	BEVEL PINION GEAR	35	35
F85779-1	BAFFLE, AIR INTAKE	31	58	FA510497	TERMINAL BLOCK	5	25
F85843-1	REMOTE ELECTRIC CABLE, 18 FEET	5	10	FA523014	CRANKSHAFT LOWER MAIN BEARING	27	12
F85859	STUD, FORWARD	21	12	FA523054	GEAR HOUSING W/DRIVESHAFT BEARING	35	42
F85906	CARBURETOR GASKET	17	54	FA523098	PROPELLER SHAFT	33	24
F85906	CARBURETOR GASKET	23	-	FA523485	ANTI-CORROSION ANODE	33	21
F85908	STARTER LEAD WIRE	9	13	FA523735	SEAL, INLET WATER LINE LOWER	35	65
F85916-1	BY-PASS VALVE	25	96	FA548180	TRIM, REAR	3	4
F85924	CHOKE SOLENOID	7	42	FA548888	TRIM, FRONT	3	36
F85925	CHOKE ROD	15	38	FA549944	ENGINE COVER	3	6
F85965	SHOCK MOUNT, UPPER	31	64	FA583386	DECAL, NUMERAL	3	8
F89758	FUEL PUMP AIR HOSE, TOP	15	5	FA58976-1	CONNECTOR, THROTTLE CABLE	41	1
F9018	CAP	31	42	FA84621-1	COUPLING, GEAR SHIFT ARM W/BUSHING	35	45
F9052	PLUG	29	34	FA84754-1	FUEL LINE SHORT	39	8
F90619-1	YOKE	37	73	FA85018-2	CRANKSHAFT	27	15
F90807	RETAINING RING	19	98	FA85019	KINGPIN	29	39
F9095	SHIM, DRIVESHAFT BEARING UPPER .005 - SILVER	35	-	FA85135-4	LEG COVER, FRONT	31	52
F9097	SHIM, DRIVESHAFT BEARING UPPER .010 - BLACK	35	-	FA85193	TIE BAR END W/SWIVEL	19	99
F9106	SHIM, DRIVESHAFT BEARING UPPER .033 - BRASS	35	67				

PARTS INDEX

Part Number	Description	Pg.	Ref. No.	Part Number	Description	Pg.	Ref. No.
FA85355-1	WASHER SHOCK MOUNT UPPER	31	62	FO16397	CHOKE SHAFT RETURN SPRING	17	81
FA85511	THROTTLE TIE BAR W/SWIVEL	19	103	FO16850	CHOKE SHAFT AND LEVER	17	80
FA85655-1	CRANKSHAFT MAIN BEARING RACE	27	9	FO16851	THROTTLE SHUTTER	17	61
FA85838-5	TOWERSHAFT	21	19	FO2510	GASKET, FUEL BOWL RETAINING SCREW	17	73
FB368700	IGNITION KEY - STAMPED B	7	-	FO4326	BODY CHANNEL WELCH PLUG	17	57
FC368700	IGNITION KEY - STAMPED C	7	-	FO8942	SHUTTER SCREW W/LOCKWASHER	19	96
FC409398	DECAL, TOTE TANK - CANADA (NOT SHOWN)	39	-	FO8942	THROTTLE SHUTTER SCREW AND LOCKWASHER	17	60
FC438398	DECAL, WIRING - CANADA	25	-	FOB2603	INSTALLATION INSTRUCTIONS (FOR 5H094 STEERING LINK KIT)	29	-
FC499390	DECAL, STARTER (CANADA) NOT SHOWN	9	-	FPS524	PROPELLER (ACCESSORY ITEM)	33	18
FC510374	DECAL, CIRCUIT BREAKER (CANADA ONLY)	5	-	FS409752	FUEL LINE COMPLETE	39	-
FC522227	SPARK PLUG (CHAMPION QUL-77V) CANADA	25	-	FS85872-1	BRACKET	23	50
FC550054	GEAR HOUSING COMPLETE.	35	-	FSA335260	PISTON RINGS (3 PER SET) .010 OVERSIZE	27	-
FD368700	IGNITION KEY - STAMPED D	7	-	FT1082	SNAP RING PLIER	49	-
FE368700	IGNITION KEY - STAMPED E	7	-	FT11204	BEARING CUP INSTALLER	50	-
FG1020	GASKET SET	23	69	FT11205	BEARING INSTALLER/REMOVER	50	-
FK10000	GASKET SET.	19	104	FT11207	BEARING CUP REMOVER	50	-
FK10102	REPAIR PARTS KIT.	19	102	FT11209	BEARING GUIDE SET	50	-
FK1063-1	SEAL KIT	37	74	FT2938-1	CONTINUITY TESTER	51	-
FK1069	WATER PUMP KIT	37	75	FT2951	CIRCUIT TRACER	51	-
FK1123	SPARKIE	11	34	FT2953	SOCKET	49	-
FK405020	SWIVEL W/PIVOT SCREW AND NUT	21	24	FT2961	LUBRICANT - RYKON GREASE #2EP	52	-
FK550128	DRIVESHAFT W/BEARING	37	69	FT2962-1	SEALANT - 50 CC LOCTITE H, NON-HARDENING GRADE	52	-
FK85228-1	BEARING CAGE W/ROLLER	27	7	FT2963-2	SEALANT - 2 OZ. LOCTITE D, HARDENING GRADE	52	-
FO10165	INLET SEAT GASKET	17	79	FT2987-1	LUBRICANT - ANTI-SEIZE	52	-
FO10588	BODY CHANNEL CUP PLUG	17	58	FT2990	PISTON PIN TOOL	49	-
FO10790	INLET NEEDLE, SEAT AND GASKET	17	78	FT2991	CARBON BRUSH	49	-
FO11103	IDLE SCREW SPRING	19	85	FT2996	RING COMPRESSOR	49	-
FO13430	MAIN FUEL JET (.070) OPT. 1500 FT. - 3000 FT.	17	-	FT2998	TORQUE WRENCH (0 - 100 LBS./FT.)	49	-
FO13552	FUEL BOWL	17	74	FT2999	TORQUE WRENCH (0 - 600 LBS./FT.)	49	-
FO13554	FLOAT	17	77	FT3012	SEAL INSTALLER	50	-
FO13555	CHOKE SHUTTER	19	97	FT7848	TORQUE ADAPTER	50	-
FO13944	FLOAT LEVER PIN	17	76	FT8900	HOSE CLAMP PLIERS	49	-
FO13945	FUEL BOWL RETAINING SCREW	17	72	FT8901	INDICATOR HOLDER	50	-
FO13946	IDLE SCREW	19	86	FT8902	DIAL INDICATOR	50	-
FO13967	MAIN FUEL JET (.068) OPT. 3000 FT. - 4500 FT.	19	-	FT8903	SEAL INSTALLER	49	-
FO14108	MAIN FUEL JET (.064) OPT. 6000 FT. & UP.	19	-	FT8907	DRIVER HANDLE	49	-
FO14188	MAIN FUEL JET (.066) OPT. 4500 FT. - 6000 FT.	19	-	FT8907	DRIVER HANDLE	50	-
FO15026	MAIN FUEL JET (.072) STD. SEA LEVEL - 1500 FT.	17	84	FT8914	SEAL REMOVER	49	-
FO15217	MAIN NOZZLE	17	75	FT8918	BEARING GUIDE SET	50	-
FO15230	THROTTLE SHAFT AND LEVER	17	64	FT8919	SPRING PIN PUNCH	50	-
FO15623	FUEL BOWL GASKET	17	82	FT8925	SEAL INSTALLER	49	-
FO16008	THROTTLE SHAFT RETURN SPRING	17	65	FT8925	SEAL INSTALLER	50	-

PARTS INDEX

Part Number	Description	Pg.	Ref. No.	Part Number	Description	Pg.	Ref. No.
FT8926	RING EXPANDER	49	-				
FT8930-1	FEELER GAUGE SET	50	-				
FT8933	LIFTING HOOK	49	-				
FT8935	SEALANT PRIMER - 6 OZ. . .	52	-				
FT8936	SEALANT - 2 CC LOCTITE RETAINING COMPOUND #75	52	-				
FT8948-1	PULLER	48	-				
FT8948-1	PULLER	50	-				
FT8950	LEAKAGE TESTER	51	-				
FT8953	IGNITION TESTER	51	-				
FT8955	SEALANT - 5 OZ. EC-750 INDUSTRIAL SEALANT . .	52	-				
FT8957	SEAL INSTALLER	50	-				
FT8969	LUBRICANT - 7 OZ. L PSI LUBRICANT	52	-				
FT8978	TIMING LIGHT	48	-				
FT8983	SEALANT - 3 OZ. RTV SEALANT FROM IN PLACE GASKETS	52	-				
FT8985	SEAL INSTALLER	50	-				
FTA2937-1	TIMING TOOL	48	-				
FTA8997	SHIM TOOL	50	-				
FTK8999	TEST WHEEL	51	-				
OB3062	LITERATURE (NOT SHOWN)	43	-				
22-817789A1	DRAIN FITTING W/METERING CUP	19	89				
22-818103--1	ELBOW	15	35				
31-817785A2	CRANKSHAFT BEARING CAGE	27	18				
32-817738A1	FUEL LINE LONG	39	10				
33-97180	SPARK PLUG (CHAMPION L- 20-V) USA	25	70				
39-818110A1	PISTON RINGS (3 PER SET) .030 OVERSIZE	27	-				
46-817853A1	WATER PUMP	37	-				
46-817853A1	WATER PUMP BODY	35	60				
84-817775A1	COIL WIRE	11	31				
87-817778A1	THERMOSWITCH	25	74				
300-817855A1	UNIT	5	12				
600-818052A4	CONNECTING ROD	27	6				
700-817988A2	PISTON .010 OVERSIZE . . .	27	-				
700-818111A2	PISTON .030 OVERSIZE . . .	27	-				
700-F372015-3	PISTON	27	2				
800-817823A7	CYLINDER W/CRANKCASE COVER	25	97				
800-817901A9	SHORT BLOCK (NOT SHOWN)	25	-				
1400-817958A6	STERN BRACKET	29	25				