



PARTS CATALOG

SEARS 7.5 H.P.

SERIAL NUMBER

7.5 H.P. (1989) 225.581741

TABLE OF CONTENTS:

CARBURETOR 7.5 HP	8
CRANKSHAFT AND PISTON	14
CYLINDER	16
ENGINE COVER AND SUPPORT PLATE	2
FUEL INTAKE AND RECIRCULATION SYSTEM	6
FUEL TANK AND LINE	30
GEAR HOUSING	26
IGNITION SYSTEM	10
MOTOR LEG AND SWIVEL BRACKET	18
PARTS INDEX	32
SHIFT LINKAGE	4
STARTER	12
STERN BRACKETS	24
TILLER HANDLE AND THROTTLE LINKAGE	20

NOTE: *Indented description indicate that these parts are included in preceeding assembly.*

AR = As Required

NSS = Not Sold Separate

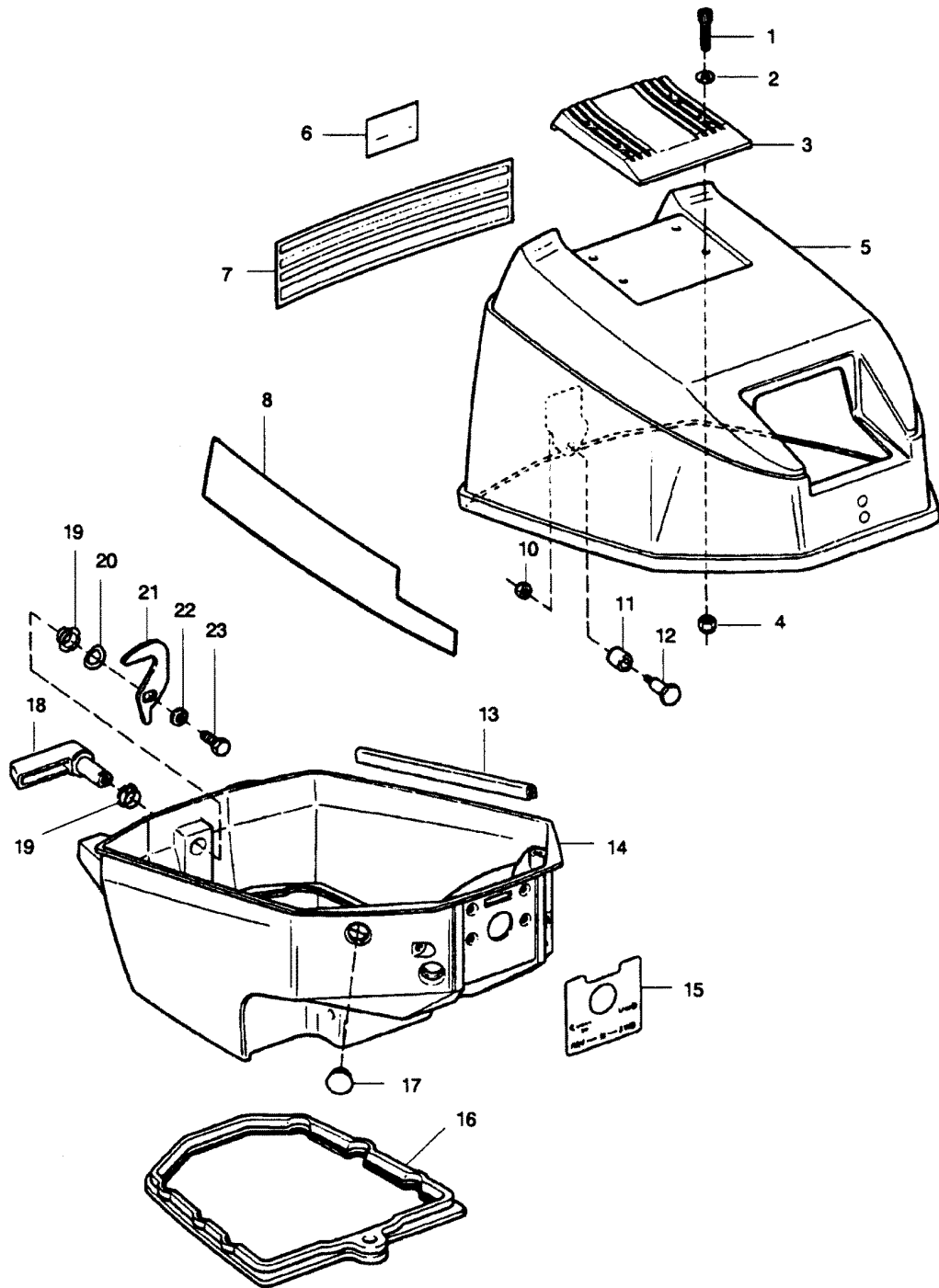
OPT = Optional

NS = Not Shown

THESE PARTS BOOKS/FICHE CARD ARE COPYRIGHTED AND MAY NOT BE DISTRIBUTED OR REPRODUCED IN ANY OTHER FORMAT BY ANYONE OTHER THAN MERCURY MARINE WITHOUT THE PRIOR WRITTEN CONSENT OF MERCURY MARINE.

THIS PAGE INTENTIONALLY LEFT BLANK

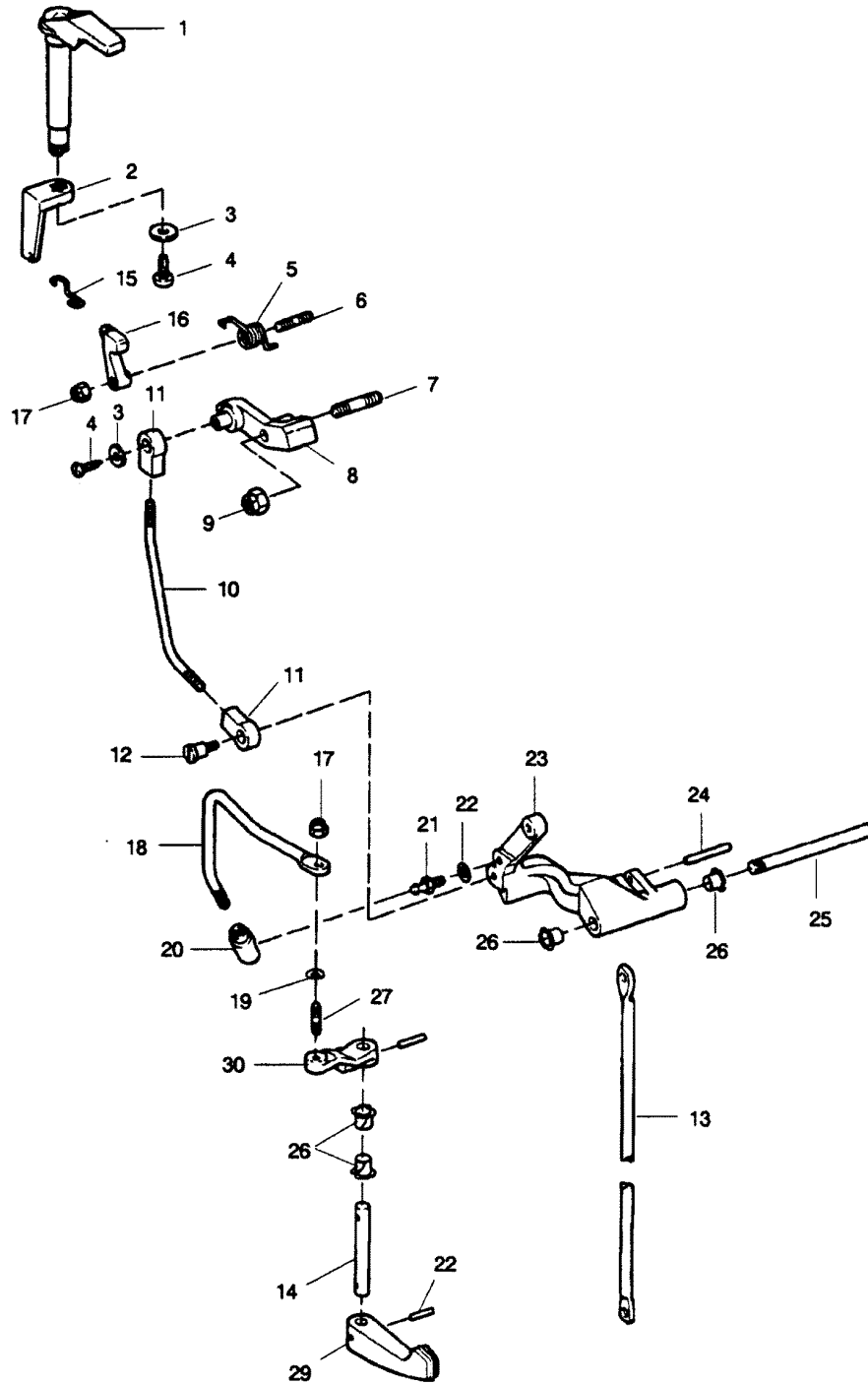
ENGINE COVER AND SUPPORT PLATE



ENGINE COVER AND SUPPORT PLATE

REF. NO.	PART NO.	SYM.	QTY.	DESCRIPTION
1	F2211		4	HEX HEAD CAP SCREW, 10 - 24 X 5/8 S.S.
2	F2042		4	WASHER
3	F703269		1	HANDLE, TILT
4	F7009		4	LOCKNUT, 10 - 24 S.S.
5	FS681712		1	COVER, BASIC (UNPAINTED)
-	F2C703712		0	COVER, COMPLETE (PAINTED W/DECALS)
7	F703528		1	DECAL, REAR
8	F703396		1	DECAL, STARBOARD
-	F703397		1	DECAL, PORT
10	F1832		1	LOCKNUT, 1/4 - 20 S.S.
11	F681759		1	ROLLER, LATCH
12	F681026		1	SCREW, LATCH ROLLER
13	F392756		1	PACKING
14	FA681038		1	SUPPORT PLATE
15	F681711		1	PLATE, FRONT
16	F286989-2		1	SEAL, SUPPORT PLATE
17	F343226-1		2	PLUG
18	FA681469		1	HANDLE, COVER LATCH
19	F307818		2	BEARING
20	F8048		1	BOWED WASHER
21	F481777		1	CAM, LATCH
22	F8083		1	SPRING LOCKWASHER
23	F1854		1	HEX HEAD CAP SCREW, 1/4 - 20 X 5/8
-	F703390		1	DECAL, START PROCEDURE (NOT SHOWN)

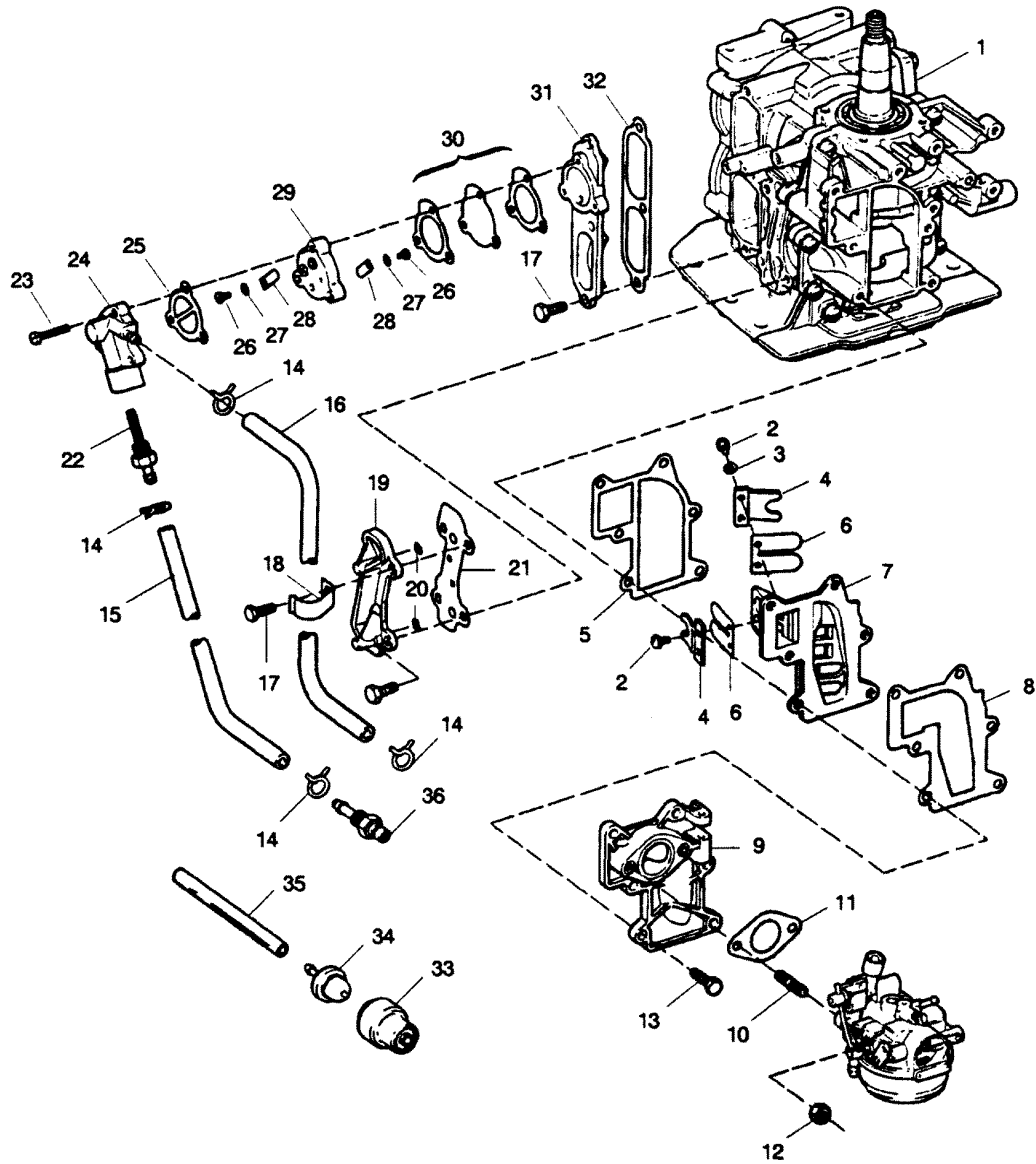
SHIFT LINKAGE



SHIFT LINKAGE

REF. NO.	PART NO.	SYM.	QTY.	DESCRIPTION
1	F681490		1	STOP, STARTER INTERLOCK
2	F681003		1	ARM, STARTER INTERLOCK
3	F8143		1	WASHER, PLAIN #10
4	F2209		1	PAN HEAD SELF TAPPING SCREW 10 - 16
5	F681424		1	SPRING, INTERLOCK
6	F681134		1	STUD
7	F681008		1	STUD
8	F681997		1	LEVER, NEUTRAL SPEED INTERLOCK
9	F1832		1	LOCKNUT 1/4 - 20
10	F681531		1	ROD, INTERLOCK
11	F84035-2		2	BEARING, CONTROL ROD
12	F84026		1	SCREW, SHOULDER
13	F286615		1	ROD, GEARSHIFT UPPER
14	F492417		1	SHAFT, GEARSHIFT HANDLE
15	F681263		1	LINK, INTERLOCK
16	F681742		1	LEVER, INTERMEDIATE INTERLOCK
17	F1804		2	STOP NUT, 10 - 32
18	F286611-1		1	ROD, GEARSHIFT
19	F8048		1	BOWED SPRING WASHER
20	F286685		1	CONNECTOR, GEARSHIFT ROD
21	F98273		1	STUD, GEARSHIFT ROD CONNECTOR
22	F8058		1	INTERNAL TOOTH LOCKWASHER
23	F286876		1	LEVER, GEARSHIFT
24	F8542		1	SPRING PIN
25	F286871		1	PIN, GEARSHIFT LEVER
26	F307818		4	BEARING
27	F286134		1	STUD, GEARSHIFT LEVER
28	F8540		2	SPRING PIN
29	F286614		1	HANDLE, GEARSHIFT
30	F681619		1	LEVER, SHIFT HANDLE SHAFT

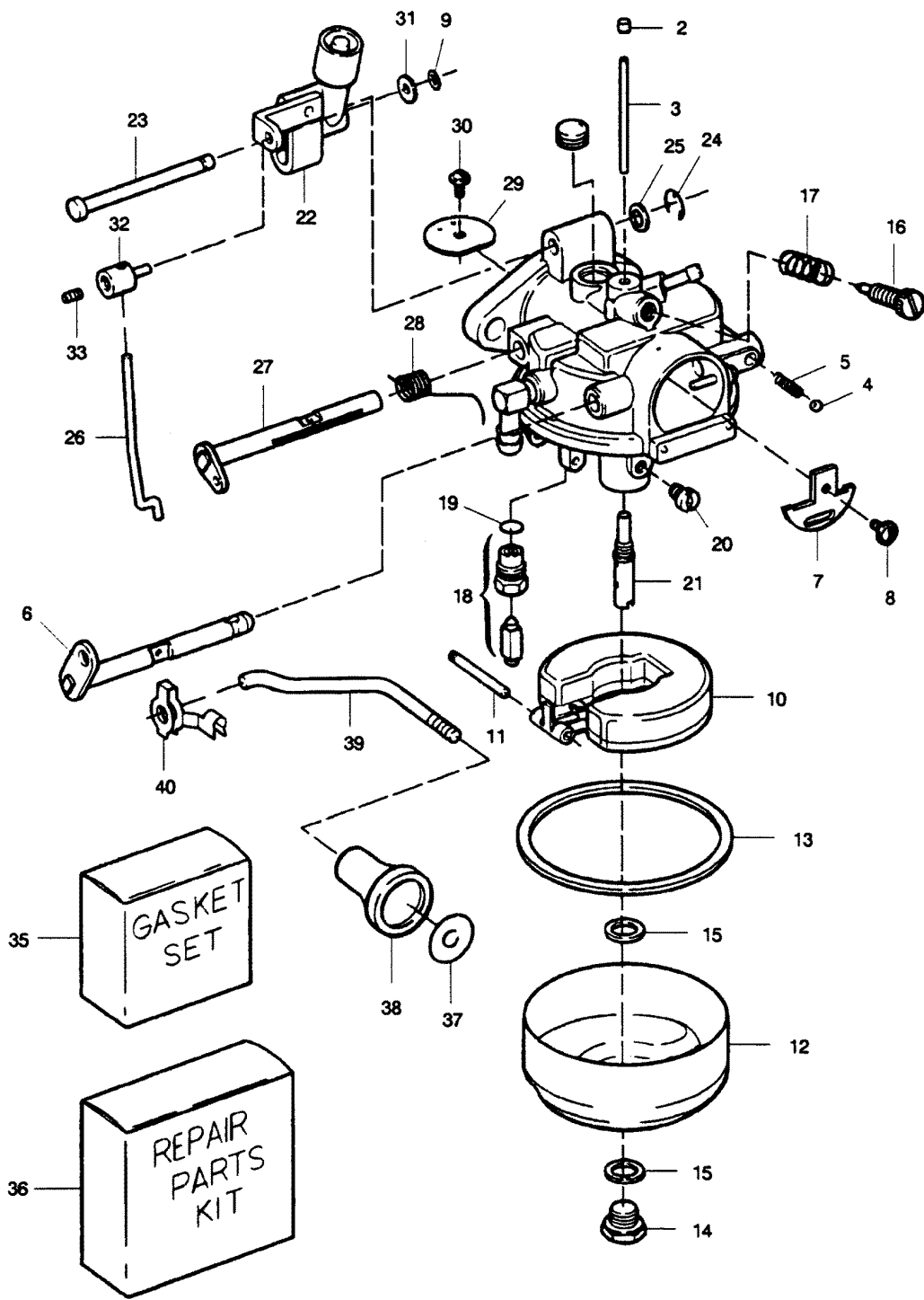
FUEL INTAKE AND RECIRCULATION SYSTEM



FUEL INTAKE AND RECIRCULATION SYSTEM

REF. NO.	PART NO.	SYM.	QTY.	DESCRIPTION
1	FC681010		1	SHORT BLOCK
2	F1755		8	ROUND HEAD SCREW W/LOCKWASHER, 6 - 32 X 5/16
3	F1704		2	LOCKWASHER, #6 S.S.
4	F619161-1		4	REED STOP, 7.5 HP
5	F286159-1		1	GASKET, REED PLATE
6	F31160-1		4	REED
7	FA619158		1	REED PLATE W/REEDS AND REED STOPS - 7.5 HP
8	F424168-1		1	GASKET, MANIFOLD
9	FA424167		1	MANIFOLD W/STUDS
10	F2788004		2	STUD, CARBURETOR
11	F18906		1	GASKET, CARBURETOR
12	F1490		2	HEX NUT, 1/4 - 20
13	F2008		6	HEX HEAD SCREW, 1/4 - 20 X 7/8
14	F2706772		4	HOSE CLAMP
15	F40253-1		1	FUEL LINE (SUPPORT PLATE TO FUEL PUMP)
16	F901754		1	FUEL LINE (FUEL PUMP TO CARBURETOR)
17	F1922		7	HEX HEAD SCREW, 1/4 - 20 X 5/8
18	F286772-1		1	CLAMP
19	FA429471		1	COVER, CYLINDER DRAIN WITH CHECK VALVES AND SCREENS
20	F429811		2	SCREEN
21	F429472		1	GASKET, CYLINDER DRAIN COVER
22	F901811		1	FILTER, FUEL
23	F1069		3	HEAD SCREW, 10 - 24 1-1/16
24	F901746-2		1	COVER, FUEL PUMP
25	F24748-2		1	GASKET, FUEL PUMP
26	F1286		2	PAN HEAD SCREW, 4 - 40 X 3/16
27	F8003		2	PLAIN WASHER
28	F18160-3		2	REED, FUEL PUMP
29	F2A24757		1	PLATE, FUEL PUMP W/REEDS
30	27-818043A1		1	FUEL PUMP DIAPHRAGM W/GASKETS
31	F286222		1	COVER, TRANSFER PORT
32	F286223		1	GASKET, TRANSFER PORT COVER
33	F681954		1	COVER, PRIME BULB
34	F681046		1	BULB, PRIME
35	F681243		1	HOSE (PRIME BULB TO CARBURETOR)
36	F197767-2		1	BUSHING (FUEL LINE)

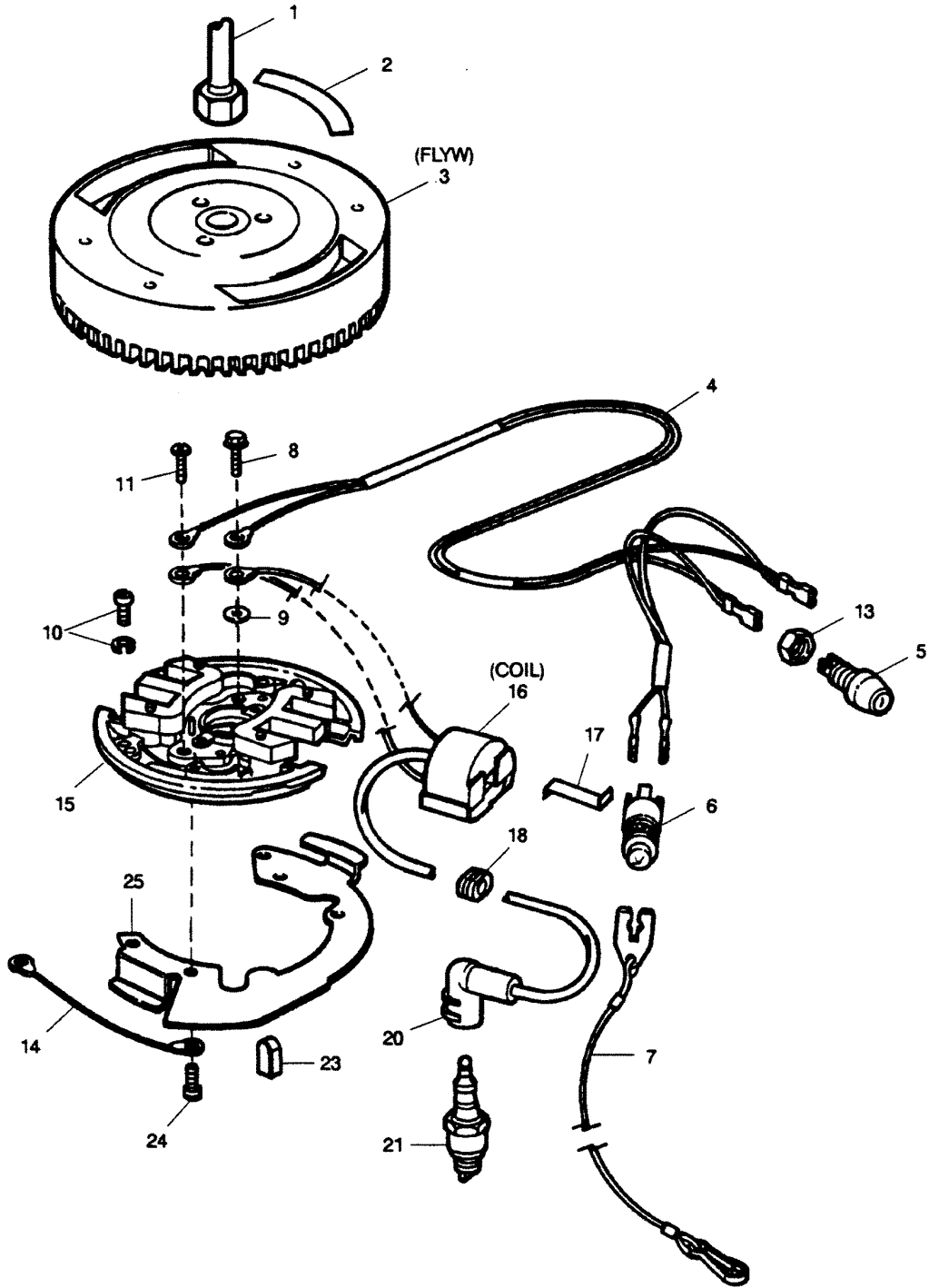
CARBURETOR 7.5 HP



CARBURETOR 7.5 HP

REF. NO.	PART NO.	SYM.	QTY.	DESCRIPTION
1	FO2531		1	PLUG, WELCH
2	FO10588		1	PLUG, CUP
3	F10235		1	TUBE, BY-PASS
4	FO4784		1	BALL, CHOKE FRICTION
5	FO8805		1	SPRING, CHOKE FRICTION
6	FO15736		1	SHAFT, CHOKE
7	F10236		1	SHUTTER, CHOKE
8	FO10280		1	SCREW, CHOKE SHUTTER RETAINING
9	F9030		1	RETAINER
10	FO13554		1	FLOAT
11	FO13944		1	PIN, FLOAT
12	FO15366		1	BOWL, FUEL
13	FO15623		1	GASKET, FUEL BOWL
14	FO13945		1	SCREW, FUEL BOWL RETAINING
15	FO2510		2	GASKET, FUEL BOWL RETAINING SCREW
16	FO15520		2	NEEDLE, IDLE MIXTURE
17	FO11103		1	SPRING, IDLE MIXTURE NEEDLE
18	F10237		1	INLET NEEDLE, SEAT AND GASKET
19	FO10165		1	GASKET, INLET SEAT
20	FO10247		1	JET, MAIN FUEL (.055)
21	F10238		1	NOZZLE, MAIN
22	F10239		1	LINKAGE, THROTTLE
23	F10240		1	SHAFT, THROTTLE LINKAGE
24	F10241		1	"E" RING, THROTTLE LINKAGE SHAFT
25	F10242		1	WASHER, THROTTLE LINKAGE SHAFT
26	F681509		1	LINK, THROTTLE
27	FO15718		1	SHAFT, THROTTLE
28	F10246		1	SPRING, THROTTLE SHAFT RETURN
29	FO16878		1	SHUTTER, THROTTLE
30	FO10280		1	SCREW, THROTTLE SHUTTER RETAINING
31	F8088		1	WASHER
32	F681033		1	SWIVEL
33	F2215		1	HEX SET SCREW, #6 - 32 X 3/16
34	F681061-1		1	CARBURETOR COMPLETE
35	FK10249		1	GASKET SET
36	FK10250		1	REPAIR PARTS KIT
37	F458677		1	INSERT
38	F286547		1	KNOB
39	F617503		1	ROD
40	F341384		1	RETAINER

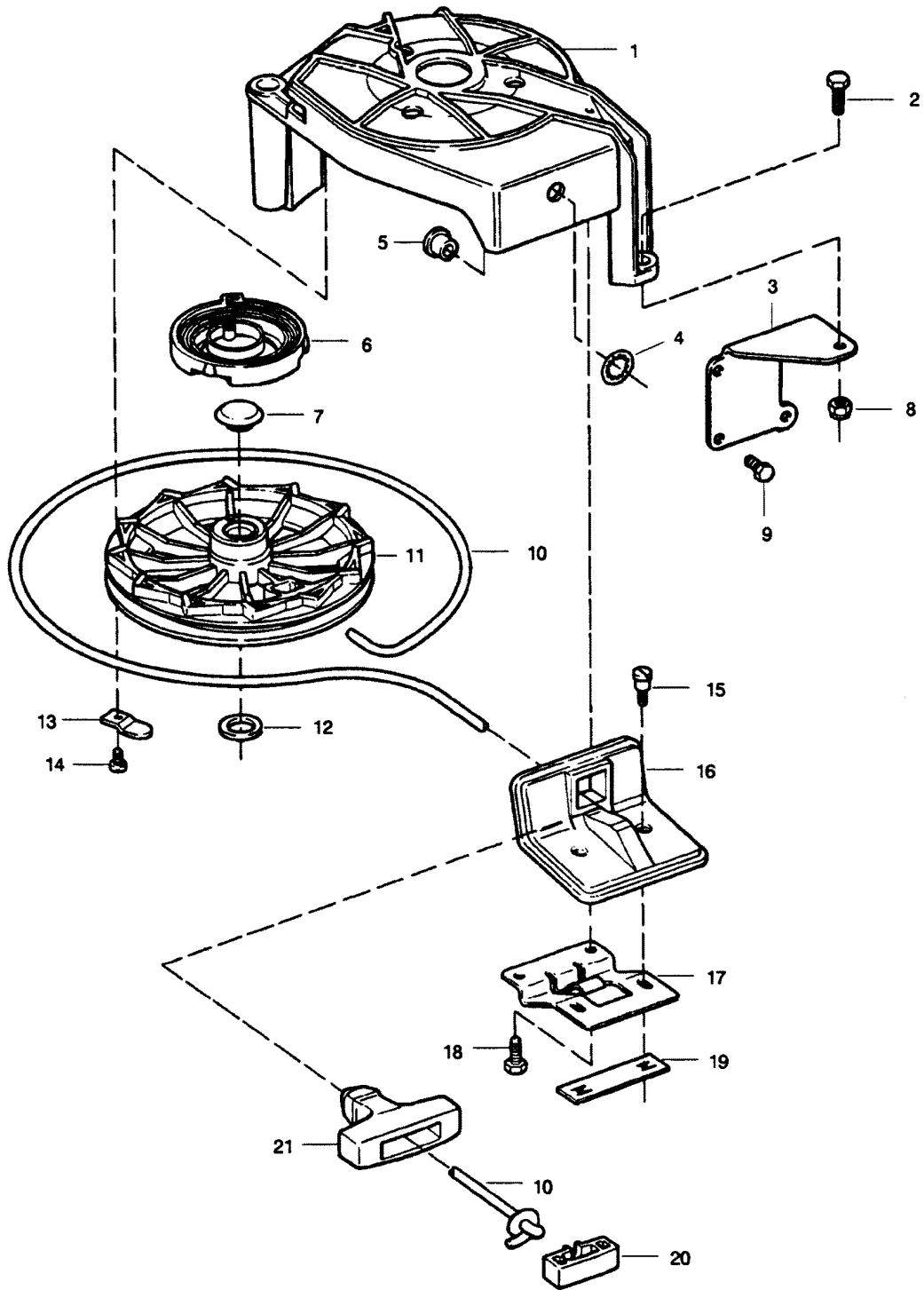
IGNITION SYSTEM



IGNITION SYSTEM

REF. NO.	PART NO.	SYM.	QTY.	DESCRIPTION
1	F681091		1	NUT, FLYWHEEL
2	FA609853		1	DECAL, SHIFT WARNING
3	FA688097		1	FLYWHEEL
4	F12376		1	WIRE, MAGNETO SHORTING
5	87-817952A1		1	SWITCH, STOP W/NUT
6	F681602		1	SWITCH, EMERGENCY STOP
7	F681329		1	LANYARD
8	F12380		1	SCREW (PLASTIC)
9	F12381		1	WASHER (PLASTIC)
10	F1090		4	SCREW W/LOCKWASHER, 10 - 24 X 9/16
11	F12382		1	SCREW
13	F436280		1	NUT, SHORTING SWITCH
14	F289664		1	WIRE, STATOR GROUND
15	F12377		1	STATOR, PLATE W/LAMINATIONS
16	F12379		2	COIL
17	F12378		2	SPRING, COIL WEDGE
18	F12088		2	GROMMET
20	FK1123		2	SPARKIE W/SPRING
21	33-82370M		2	SPARK PLUG (CHAMPION L-82C)
23	F458498		1	KEY, MAGNETO
24	F1075		4	SCREW, 10 - 24 X 1/2
25	F617192		1	PLATE, THROTTLE CAM

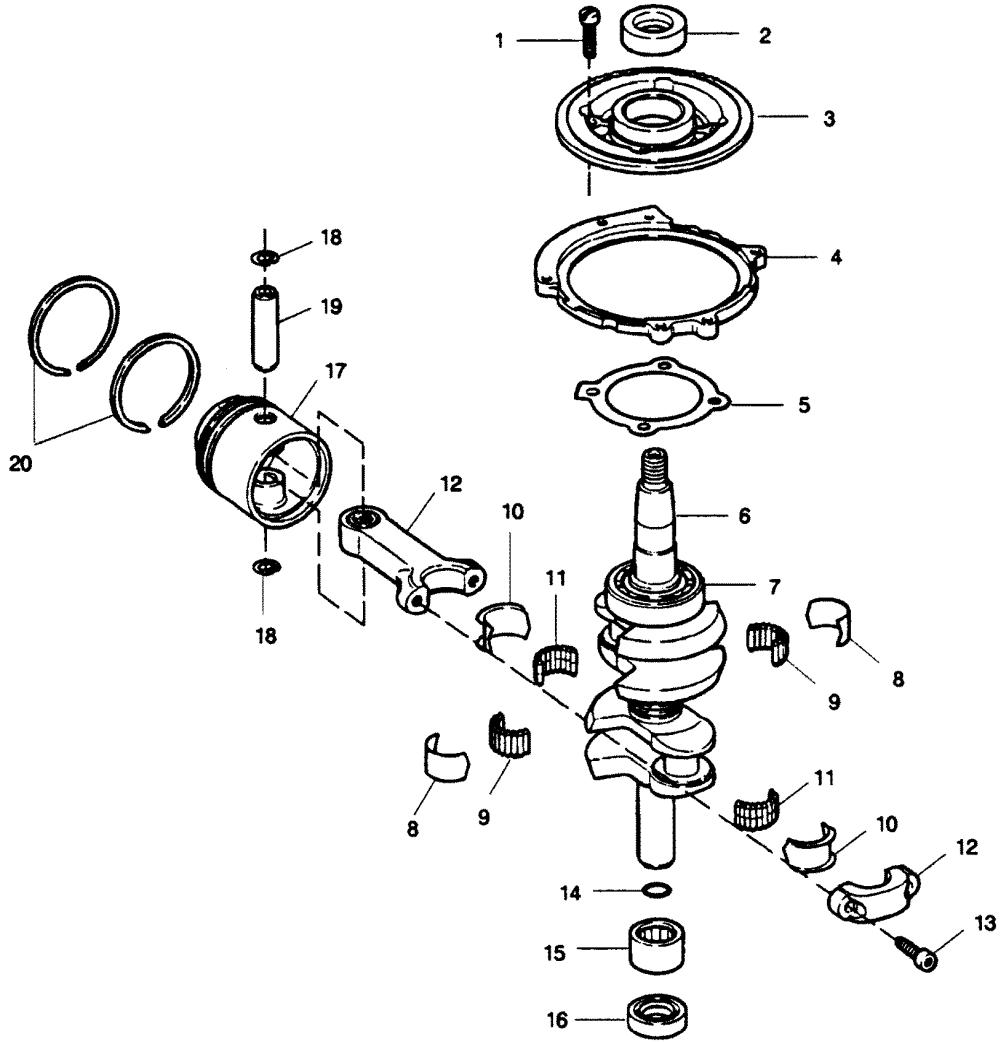
STARTER



STARTER

REF. NO.	PART NO.	SYM.	QTY.	DESCRIPTION
1	F681408		1	HOUSING
2	F1864		3	SCREW, HEX HEAD 1/4 - 20 X 3/4 S.S.
3	F681427		1	BRACKET
4	F681741		1	RING, RETAINING
5	F681428		1	INSERT, STARTER HOUSING ROPE
6	F681970		1	SPRING, STARTER REWIND
7	F681971		1	PLUG
8	F1832		1	LOCKNUT, 1/4 - 20
9	F1075		3	SCREW, FILL. HEAD 10 - 24 X 1/2
10	F681232		1	ROPE
11	FA681239		1	STARTER PULLEY ASSEMBLY W/PLUG AND SEAL
12	F681579		1	SEAL
13	F681592		3	RETAINER, STARTER PULLEY
14	F2209		3	SCREW, PAN HEAD 10 - 16 X 1/2 S.S.
15	F84026		2	SCREW, SHOULDER
16	FA681630		1	SUPPORT, HANDLE
17	F681090		1	PLATE, HANDLE SUPPORT
18	F2210		2	SCREW, PAN HEAD 1/4 - 14 X 1/2 S.S.
19	F681874		1	FASTENER, HANDLE SUPPORT PLATE
20	F681817		1	RETAINER, STARTER ROPE
21	F681132		1	HANDLE, STARTER ROPE

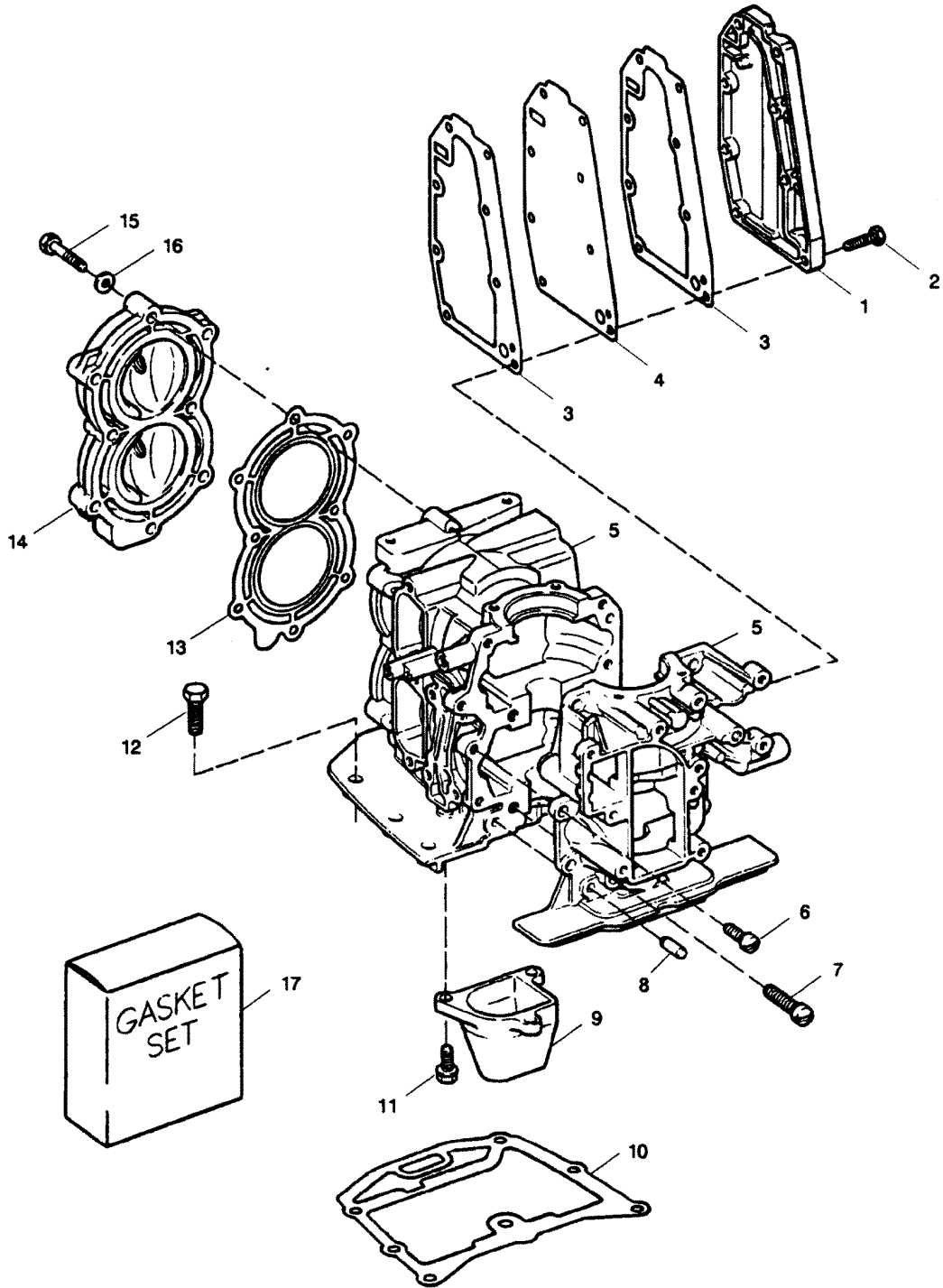
CRANKSHAFT AND PISTON



CRANKSHAFT AND PISTON

REF. NO.	PART NO.	SYM.	QTY.	DESCRIPTION
1	F1111		4	HEAD SCREW, 1/4 - 20 X 7/8
2	F346146		1	SEAL, CRANKSHAFT UPPER
3	1100-817753A1		1	CAGE, CRANKSHAFT W/SEAL
4	F73082		1	RING, MAGNETO STATOR
5	F286277		1	GASKET, CRANKSHAFT BEARING CAGE
6	F2A681018		1	CRANKSHAFT W/UPPER MAIN BEARING
7	F286028		1	BEARING, CRANKSHAFT UPPER
8	FA286155		1	CENTER MAIN BEARING LINER SET (2 PER SET)
9	F286571		1	CENTER MAIN BEARING ROLLER SET (26 PER SET)
10	817755A1		2	CONNECTING ROD LINER SET (2 PER SET)
11	FA517228		2	CONNECTING ROD ROLLER SET (2 PER SET)
12	F2A286016		2	ROD, CONNECTING W/CAP AND SCREWS
13	F286634-1		4	SCREW, CONNECTING ROD
14	F461342		1	SEAL, DRIVESHAFT SPLINE
15	F343014		1	BEARING, CRANKSHAFT LOWER MAIN
16	F141118		1	SEAL, CRANKSHAFT LOWER
17	F472015-2		2	PISTON
18	F31410		4	RETAINING RING, PISTON PIN
19	F174017		2	PIN, PISTON
20	FA472260		1	RING SET, PISTON (4 PER SET)

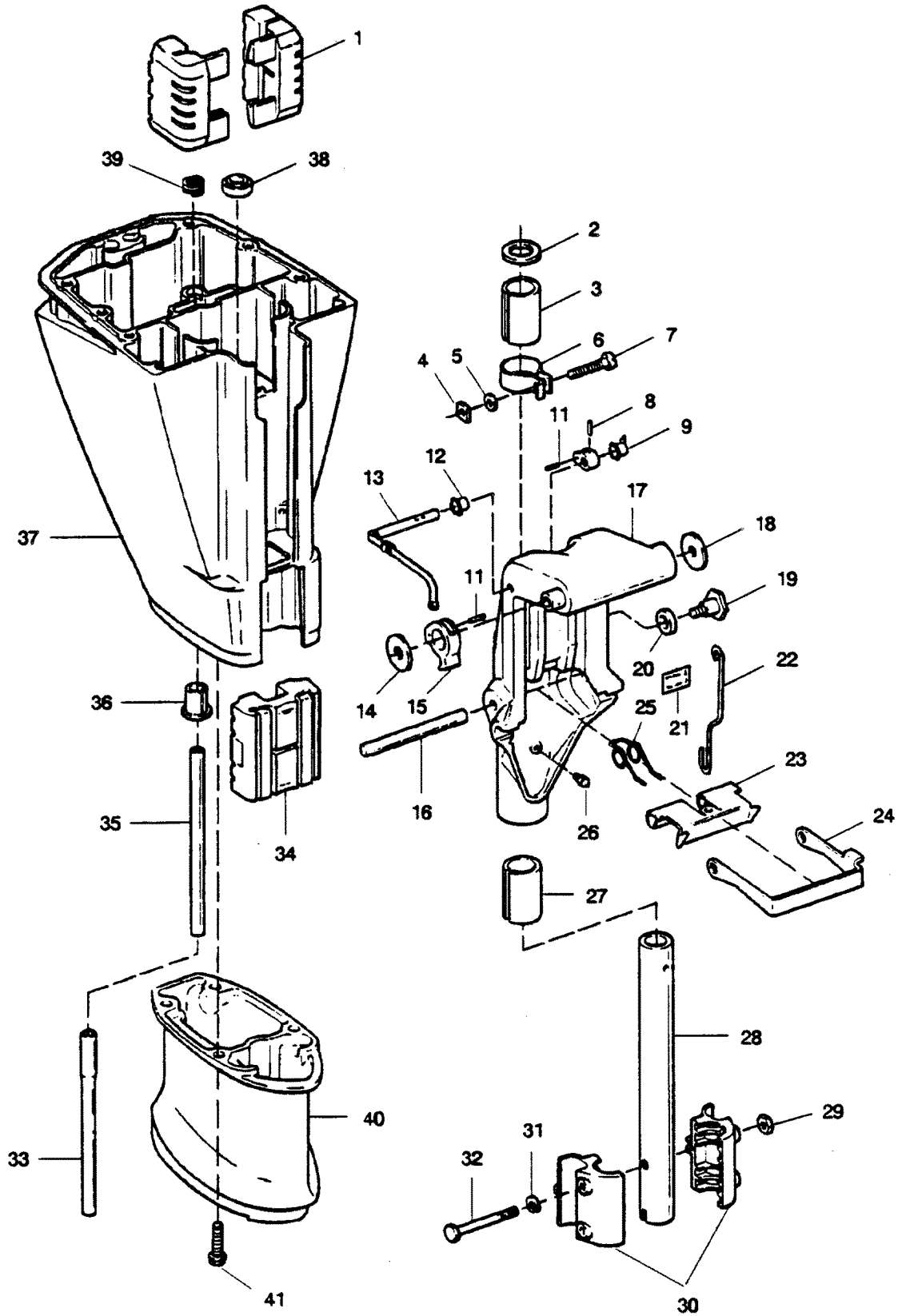
CYLINDER



CYLINDER

REF. NO.	PART NO.	SYM.	QTY.	DESCRIPTION
1	F286152		1	COVER, EXHAUST
2	F2008		8	HEX HEAD SCREW, 1/4 - 20 X 7/8
3	F286154		2	GASKET, EXHAUST COVER
4	F286151		1	PLATE, EXHAUST
5	F3A681010		1	CYLINDER
-	FC681010		1	SHORT BLOCK (CYLINDER WITH CRANKSHAFT, PISTON AND RODS INSTALLED)
6	F1107		8	HEAD SCREW, 1/4 - 20 X 3/4
7	F1335		4	HEAD SCREW, 5/16 - 18 X 1-1/4
8	F8559		2	DOWEL PIN
9	F487660-1		1	EXHAUST TUBE
10	F286279-2		1	GASKET, CYLINDER MOUNT
11	F2040		3	HEX HEAD MACHINE SCREW, 1/4 - 20 X 5/8 S.S.
12	F1823		6	HEX HEAD CAP SCREW, 5/16 - 18 X 1
13	F286529-3		1	GASKET, CYLINDER HEAD
14	F703518		1	HEAD, CYLINDER
15	F901938-1		8	SCREW, CYLINDER HEAD
16	F8025		8	PLAIN WASHER
17	FG1005-1		1	GASKET SET (INCLUDES ALL GASKETS REQUIRED TO REBUILD POWER HEAD)

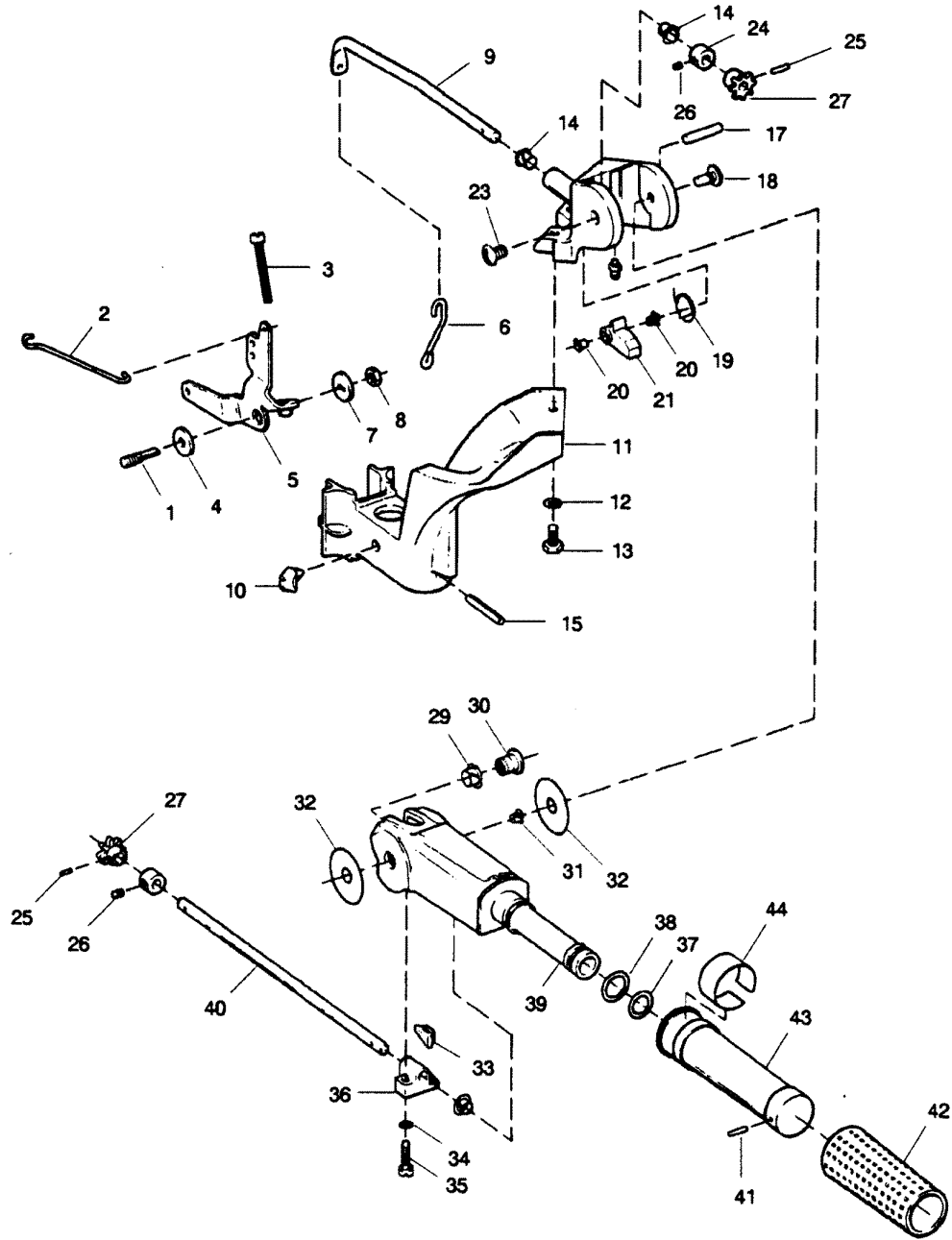
MOTOR LEG AND SWIVEL BRACKET



MOTOR LEG AND SWIVEL BRACKET

REF. NO.	PART NO.	SYM.	QTY.	DESCRIPTION
1	F286347		2	MOUNT, UPPER SHOCK
2	F286011		1	WASHER, SWIVEL BRACKET
3	F286169		1	BEARING, SWIVEL BRACKET
4	F1608		1	SQUARE NUT, 1/4 - 20
5	F1907		1	WASHER
6	F286573-1		1	CLAMP, STEERING FRICTION
7	F1820		1	HEAD SCREW, 1/4 - 20 X 1-3/8
8	F8538		2	SPRING PIN
9	F197813		1	BEARING
10	F286364		1	LEVER, REVERSE LOCK
11	F1794		1	SPRING PIN
12	F536813		1	BEARING
13	FA387742		1	LEVER, REVERSE LOCK INTERMEDIATE
14	F525286		1	WASHER
15	F286827		1	LEVER, REVERSE LOCK
16	F1806		1	GROOVE PIN
17	1400-817750A4		1	BRACKET, SWIVEL W/GREASE FITTING AND LOWER BEARING
18	F286286-1		1	WASHER
19	F286422-1		1	PIVOT, TILT LOCK
20	F286451		1	SPACER, TILT LOCK
21	F676585		1	DECAL, TILT LOCK
22	FA341510		1	LINK, REVERSE LOCK
23	F286349		1	REVERSE LOCK
24	F286433		1	BRACKET, REVERSE LOCK
25	F286300		1	SPRING, REVERSE LOCK
26	F213274		4	FITTING, GREASE
27	F286169		1	BEARING, LOWER SWIVEL BRACKET
28	F286019		1	KINGPIN
29	F1341		2	HEX NUT, 1/4 - 20
30	F286956		2	BRACKET, SHOCK MOUNT LOWER
31	F8083		2	SPRING LOCKWASHER
32	FA1844		2	HEX BOLT W/LOCKWASHER, 1/4 - 20 X 2-3/8 S.S.
33	FS902144		1	EXTENSION, WATER LINE (20 INCH TRANSOM MODELS)
34	F286346		1	MOUNT, LOWER SHOCK
35	F286244		1	LINE, WATER
36	F286914		1	SLEEVE, WATER LINE
37	F2A477133		1	LEG, MOTOR
38	F901307-2		1	SEAL, MOTOR LEG
39	F286414		1	SPRING, LEG WATER BRACKET
40	F492845		1	EXTENSION, MOTOR LEG (20 INCH TRANSOM MODELS)
41	F430732		4	SCREW, S.S.

TILLER HANDLE AND THROTTLE LINKAGE

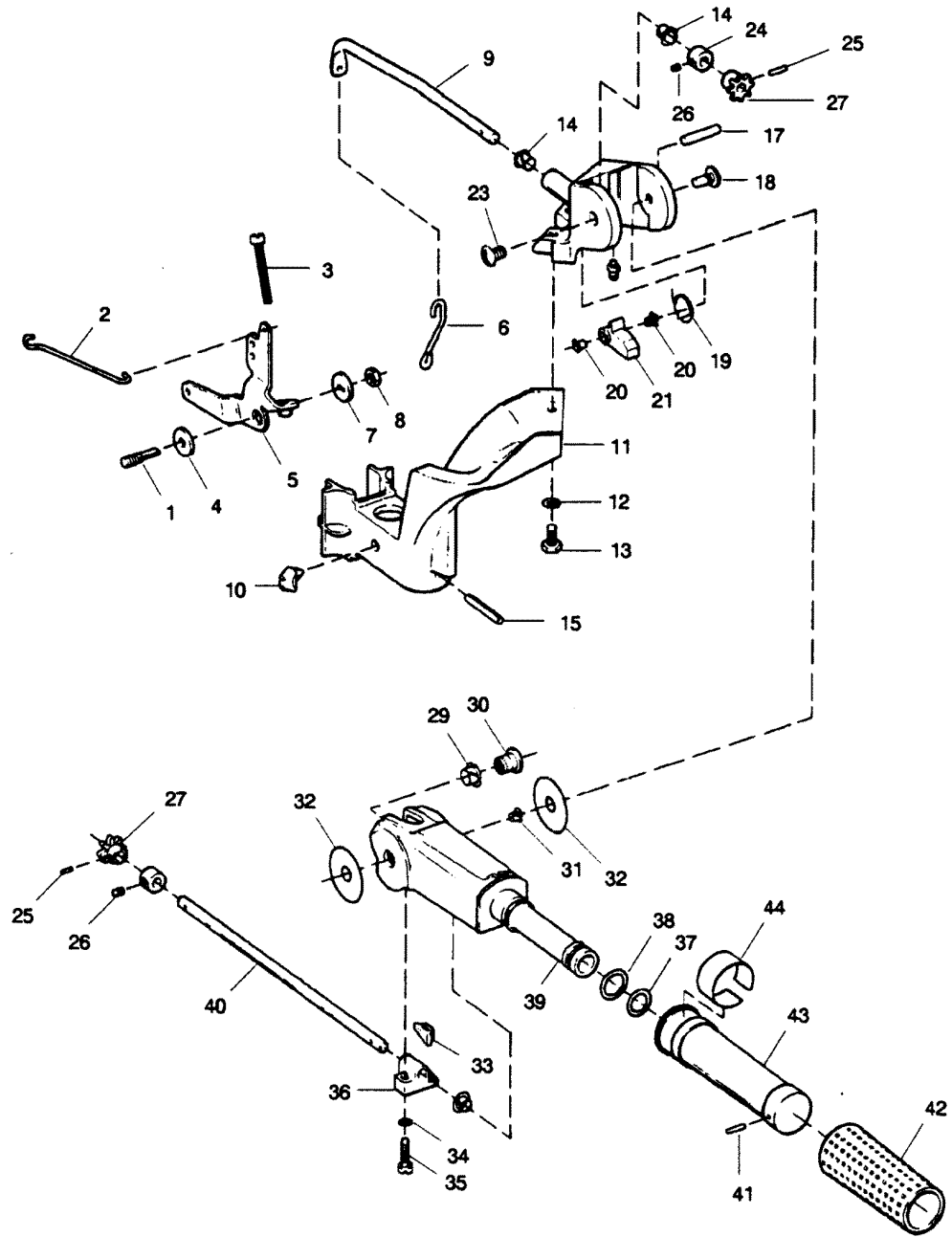


TILLER HANDLE AND THROTTLE LINKAGE

REF. NO.	PART NO.	SYM.	QTY.	DESCRIPTION
1	F286440		1	STUD, MAGNETO CONTROL LEVER
2	F286509		1	LINK, THROTTLE CAM
3	F2126		1	SLOTTED FILL. HEAD SCREW, 1/4 - 28 X 2
4	F183813		1	BEARING, MAGNETO CONTROL LEVER
5	817866A3		1	LEVER, MAGNETO CONTROL
6	F618445		1	LINK, MAGNETO SHAFT
7	F286282		1	WASHER
8	F1803		1	STOP NUT, 5/16 - 24
9	F431838		1	SHAFT, MAGNETO CONTROL
10	F286539		1	BUMPER
11	FA286582		1	ARM, STEERING W/BUMPER AND SPRING PIN
12	F8060		2	EXTERNAL TOOTH LOCKWASHER
13	F1922		2	HEX CAP SCREW, 1/4 - 20
14	F307818		2	BEARING
15	F1805		1	SPRING PIN
16	F213274		1	FITTING, GREASE
17	F1807		1	GROOVE PIN
18	F286080		1	SCREW, STEERING HANDLE PIVOT
19	F286868		1	SPRING, STEERING HANDLE STOP
20	F197813		2	BEARING, STEERING HANDLE STOP
21	F286490		1	STOP, STEERING HANDLE
22	817751A3		1	BRACKET, STEERING HANDLE W/GREASE FITTING
23	F1799		1	TRUSS HEAD SCREW, 5/16 - 18 X 5/8
24	FA343178		2	RETAINER W/SET SCREW
25	F1978		2	SPRING PIN
26	F1859		2	HEX HEADLESS SOCKET SET SCREW
27	43-818009--1		2	GEAR, MAGNETO CONTROL SHAFT
28	F85610		1	BEARING
29	F286818		1	BEARING
30	F286224-1		1	INSERT, STEERING HANDLE PIVOT
31	F197813		1	BEARING
32	F286220		2	WASHER, STEERING HANDLE
33	F341693		1	WEDGE, STEERING HANDLE
34	F8058		2	INTERNAL TOOTH LOCKWASHER
35	F1829		2	HEAD SCREW, 10 - 24 X 7/8
36	F487816		1	BEARING, STEERING HANDLE
37	F215795		1	SEAL (SMALL)
38	F53795-1		1	SEAL (LARGE)
39	F286079-1		1	HANDLE, STEERING

CONTINUED ON NEXT PAGE ➡

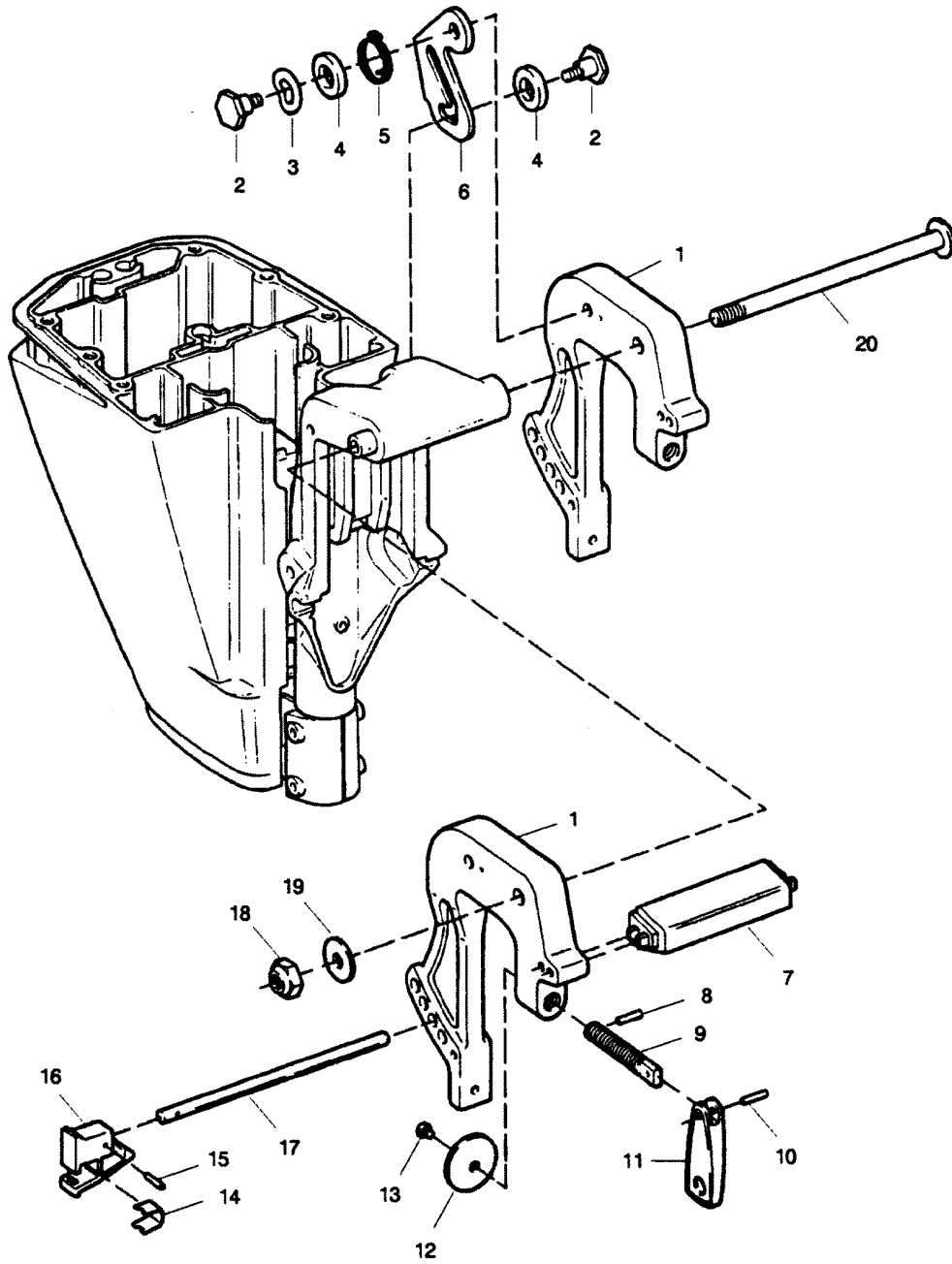
TILLER HANDLE AND THROTTLE LINKAGE



TILLER HANDLE AND THROTTLE LINKAGE

REF. NO.	PART NO.	SYM.	QTY.	DESCRIPTION
40	F429688		1	SHAFT, STEERING HANDLE
41	F8548		0	SPRING PIN
42	F458695		1	SLEEVE
43	FA456137		1	GRIP, STEERING HANDLE W/SLEEVE
44	FC618894		1	INDICATOR, STEERING HANDLE

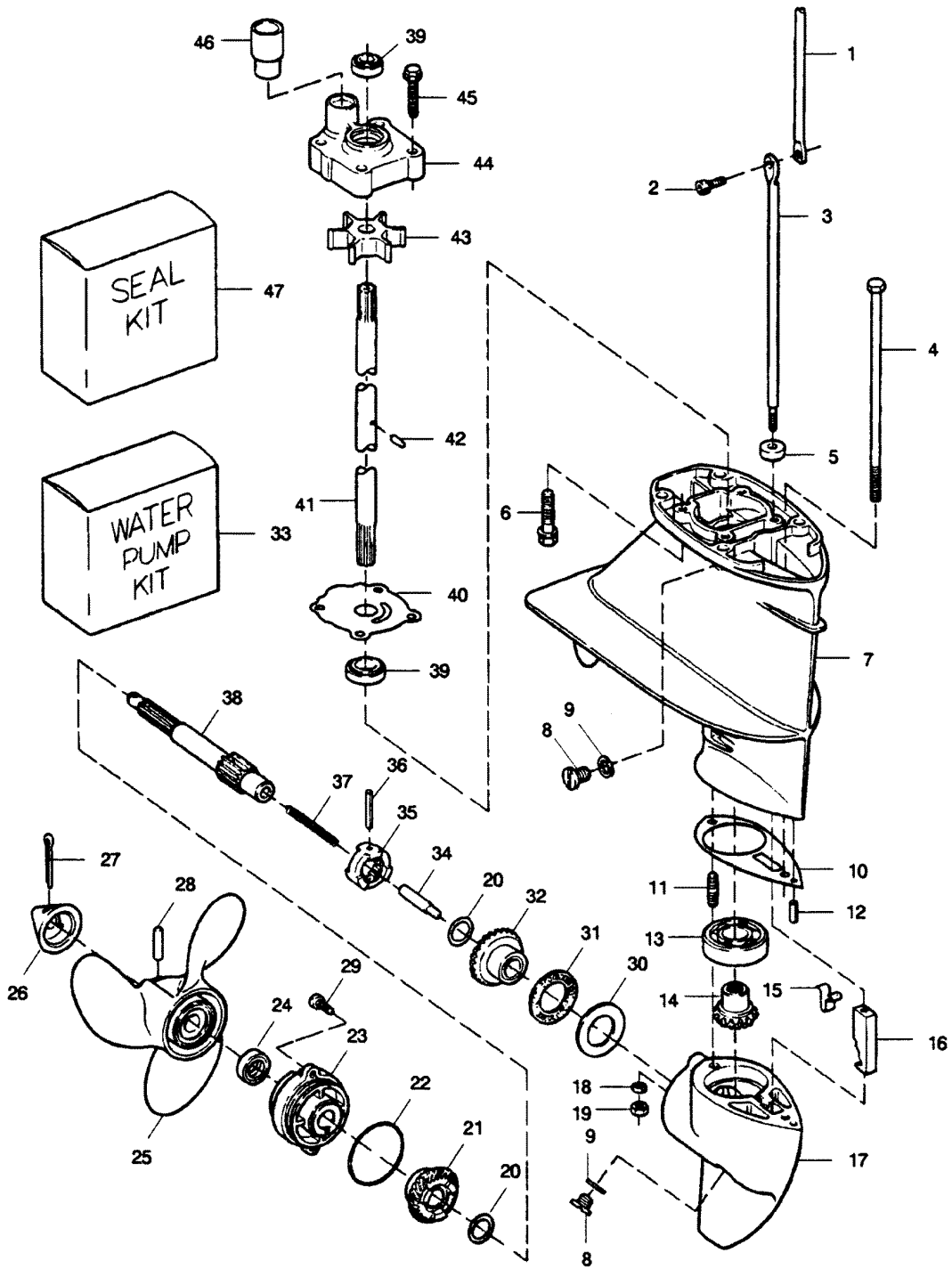
STERN BRACKETS



STERN BRACKETS

REF. NO.	PART NO.	SYM.	QTY.	DESCRIPTION
1	FS617532		2	STERN BRACKET W/CLAMP SCREW
2	F286422-1		2	PIVOT
3	F1666		1	BOWED SPRING WASHER
4	F286451		2	SPACER
5	F286544-1		1	SPRING, TILT STOP
6	F429541		1	LOCK, TILT
7	F286647		1	HANDLE, CARRYING
8	F8537		2	SPRING PIN
9	817761A2		2	CLAMP SCREW W/HANDLE AND FOOT
10	F8554		2	SPRING PIN
11	F424075		2	HANDLE, CLAMP SCREW
12	F24074		2	FOOT, CLAMP SCREW
13	F66480		2	STUD, CLAMP SCREW
14	F286461		1	SPRING, LOCK BAR HANDLE
15	F8540		1	SPRING PIN
16	F286114		1	HANDLE, LOCK BAR
17	FA617113		1	LOCK BAR W/HANDLE
18	F7026		1	STOP NUT, 3/8 - 16
19	F2014		1	WASHER

GEAR HOUSING

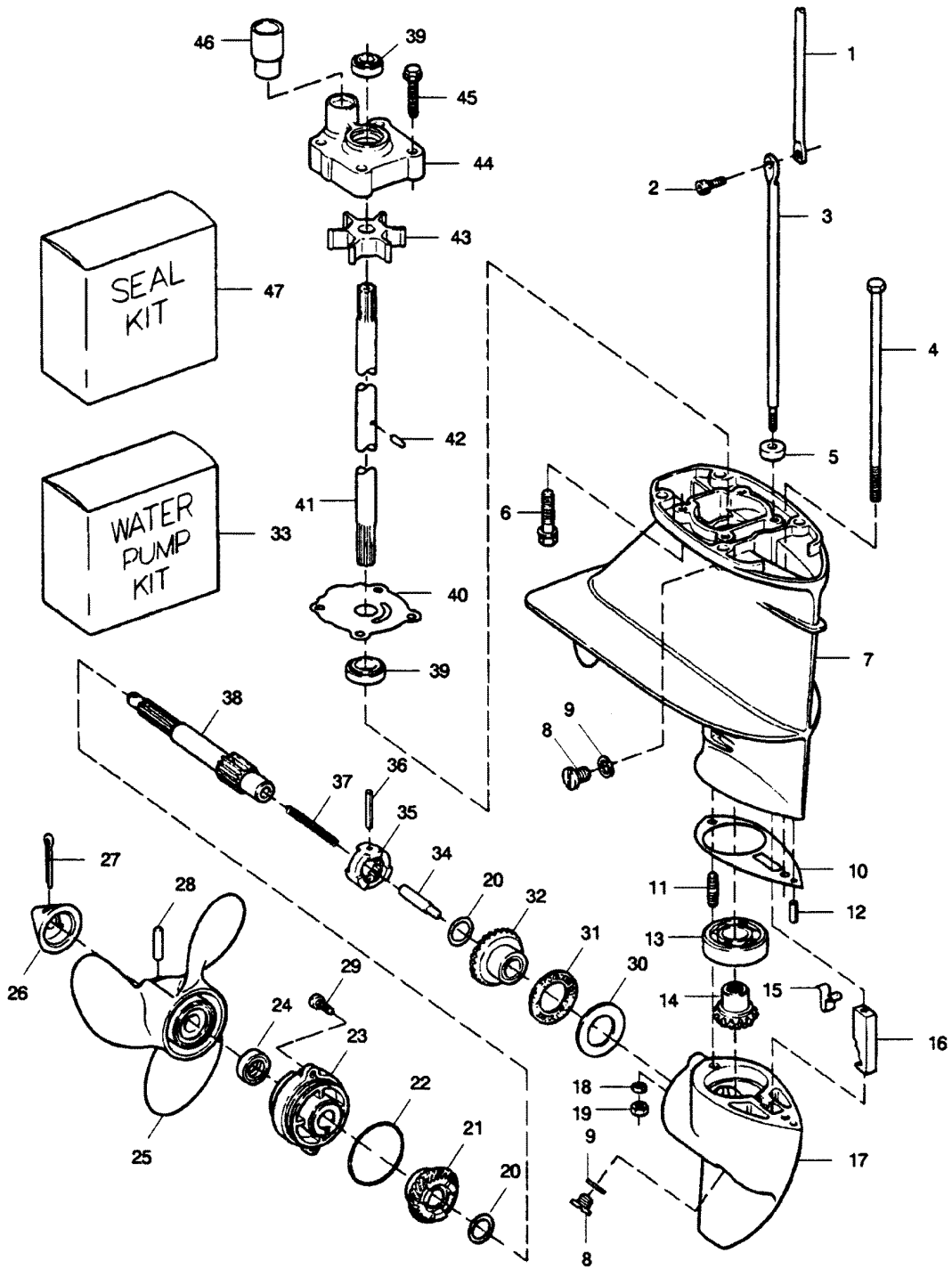


GEAR HOUSING

REF. NO.	PART NO.	SYM.	QTY.	DESCRIPTION
1	F286615		1	GEAR SHIFT ROD, UPPER
2	F1976		1	SOCKET HEAD CAP SCREW W/LOCKWASHER, 10 - 24 X 1/2
3	F330705-1		1	GEAR SHIFT ROD, LOWER (20 INCH TRANSOM MODELS)
4	F1800		1	HEX BOLT, 1/4 -20 X 7
5	F338618-1		1	SEAL, SHIFT ROD LOWER
6	F430732		4	HEX HEAD SCREW, 1/4 - 20 X 1
7	1600-824916A1		1	GEAR HOUSING UPPER 1/BEARING, PLUGS AND SEALS
8	F50109		2	PLUG, GEAR HOUSING
9	F8077		2	NYLTITE WASHER
10	F286555		1	GASKET, GEAR HOUSING
11	F286008		1	STUD, REAR
12	F8553		1	SPRING PIN
13	F127910-2		1	BALL BEARING
14	FA286266		1	GEAR, BEVEL PINION W/BALL BEARING
15	F286895		1	SPRING, CAM DETENT
16	F286721		1	CAM, SHIFT
17	FA286054		1	GEAR HOUSING LOWER W/PROP SHAFT BEARING AND PLUG
-	FC456054		1	GEAR HOUSING KIT (INCLUDES ALL ITEMS REQUIRED TO BUILD COMPLETE LOWER GEAR HOUSING)
18	F8083		1	SPRING LOCKWASHER
19	F1490		1	HEX NUT, 1/4 - 20
20	F456717		2	THRUST WASHER
21	FA456662		1	GEAR, BEVEL REAR W/BEARING
22	F455305		1	SEAL, PROP SHAFT BEARING CAGE
23	31-817756A2		1	CAGE, PROP SHAFT BEARING W/BEARING END SEALS
24	F346118		1	SEAL, PROP SHAFT
25	FP6430		1	PROPELLER, 8 X 8-1/4 X 3 - 3 BLADE - NYLON
26	11-817752A1		1	PROPELLER NUT W/COTTER PIN
27	F1846		1	COTTER PIN
28	FA324101		1	PROPELLER PIN, PACK OF 3 W/COTTER PIN
29	F1493		2	HEAD SCREW, 1/4 - 20 X 5/8
30	F286903		1	RACE, PROPELLER SHAFT BEARING
31	F286901		1	BEARING, PROPELLER SHAFT
32	FA456023		1	GEAR, FRONT BEVEL W/BEARING
33	FK1031-1		1	WATER PUMP KIT
34	F286728		1	SHIFT PIN
35	FA456521		1	CLUTCH
36	F8564		1	SPRING PIN
37	F409719		1	SPRING, CLUTCH
38	F456098		1	PROPELLER SHAFT
39	F901307-2		2	SEAL, DRIVESHAFT
40	F341562		1	WATER PUMP BACKPLATE
41	F344128		1	DRIVESHAFT (20 INCH TRANSOM MODELS)

CONTINUED ON NEXT PAGE ➡

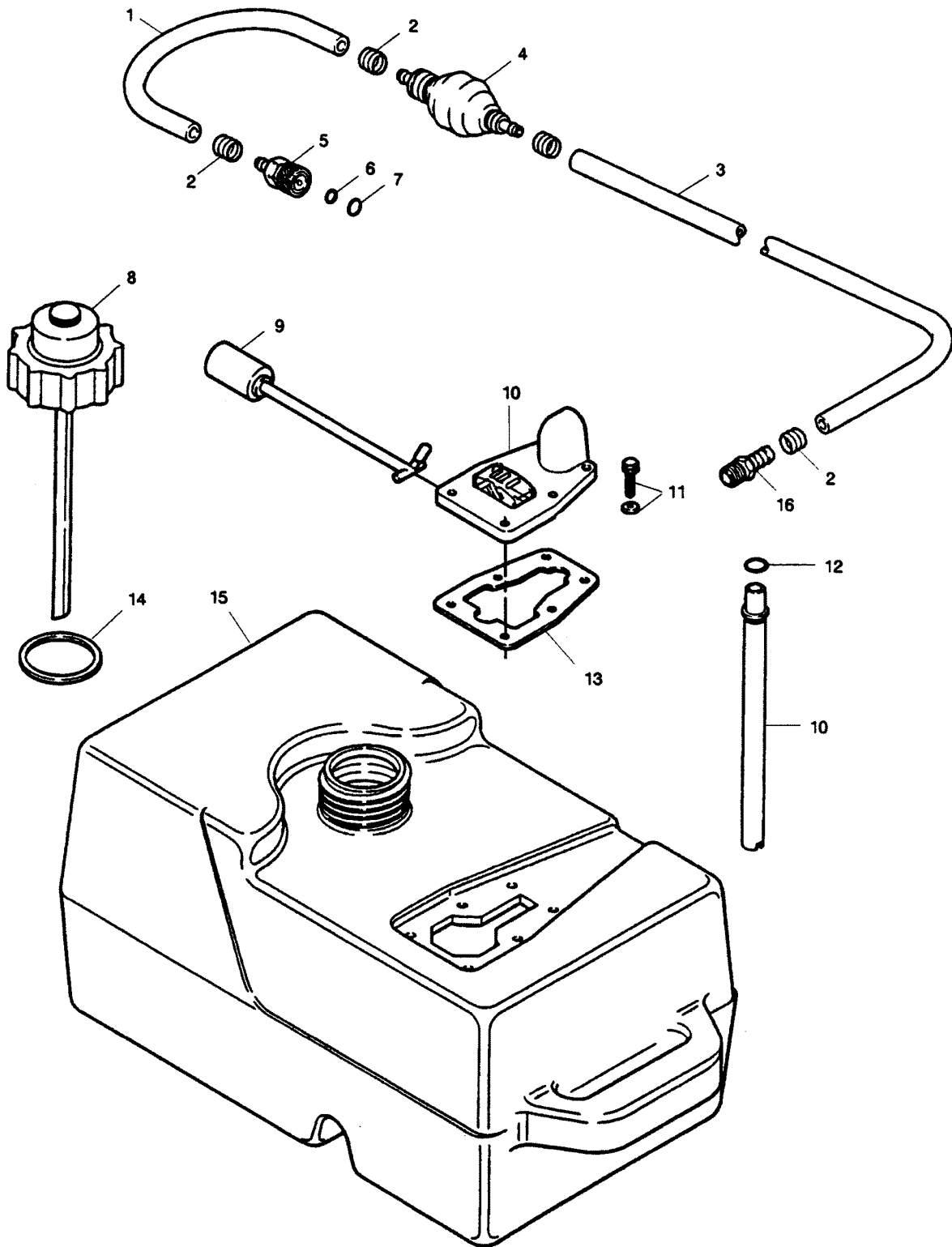
GEAR HOUSING



GEAR HOUSING

REF. NO.	PART NO.	SYM.	QTY.	DESCRIPTION
42	F901563		1	PIN, IMPELLER DRIVE
43	F436065-2		1	IMPELLER, WATER PUMP
44	FA504060		1	WATER PUMP BODY W/DRIVESHAFT SEAL
45	F2030		4	HEX HEAD SCREW, 1/4 - 20 X 1-1/4 S.S.
46	FA510914		1	SEAL, WATER LINE
47	FK1065		1	SEAL KIT

FUEL TANK AND LINE



FUEL TANK AND LINE

REF. NO.	PART NO.	SYM.	QTY.	DESCRIPTION
1	FA84754-1		1	HOSE
2	F298788		4	FERRULE
3	32-817738A1		1	HOSE
4	89396A38		1	BULB, PRIME
5	F197787-3		1	COUPLER
6	F17815		1	SEAL
7	F17816		1	SEAL
8	F17820		1	CAP, FUEL TANK
9	F17826		1	FLOAT
10	F17828		1	GAUGE ASSEMBLY
11	F17824		6	SCREW
12	F17827		1	SEAL
13	F17823		1	GASKET
14	F17822		1	GASKET
15	F5H214		1	FUEL TANK W/LINE (6 GALLON)
16	F702801		1	FITTING, FUEL
-	F703398		2	DECAL, FUEL MIX (NOT SHOWN)

PARTS INDEX

Part Number	Description	Pg.	Ref. No.	Part Number	Description	Pg.	Ref. No.
817751A3	BRACKET, STEERING HANDLE W/GREASE FITTING	21	22	F17820	CAP, FUEL TANK	31	8
817755A1	CONNECTING ROD LINER SET (2 PER SET)	15	10	F17822	GASKET	31	14
817761A2	CLAMP SCREW W/HANDLE AND FOOT	25	9	F17823	GASKET	31	13
817866A3	LEVER, MAGNETO CONTROL	21	5	F17824	SCREW	31	11
89396A38	BULB, PRIME	31	4	F17826	FLOAT	31	9
F10235	TUBE, BY-PASS	9	3	F17827	SEAL	31	12
F10236	SHUTTER, CHOKE	9	7	F17828	GAUGE ASSEMBLY	31	10
F10237	INLET NEEDLE, SEAT AND GASKET	9	18	F1794	SPRING PIN	19	11
F10238	NOZZLE, MAIN	9	21	F1799	TRUSS HEAD SCREW, 5/16 - 18 X 5/8	21	23
F10239	LINKAGE, THROTTLE	9	22	F1800	HEX BOLT, 1/4 - 20 X 7	27	4
F10240	SHAFT, THROTTLE LINKAGE	9	23	F1803	STOP NUT, 5/16 - 24	21	8
F10241	"E" RING, THROTTLE LINKAGE SHAFT	9	24	F1804	STOP NUT, 10 - 32	5	17
F10242	WASHER, THROTTLE LINKAGE SHAFT	9	25	F1805	SPRING PIN	21	15
F10246	SPRING, THROTTLE SHAFT RETURN	9	28	F1806	GROOVE PIN	19	16
F1069	HEAD SCREW, 10 - 24 1-1/16	7	23	F1807	GROOVE PIN	21	17
F1075	SCREW, 10 - 24 X 1/2	11	24	F18160-3	REED, FUEL PUMP	7	28
F1075	SCREW, FILL. HEAD 10 - 24 X 1/2	13	9	F1820	HEAD SCREW, 1/4 - 20 X 1-3/8	19	7
F1090	SCREW W/LOCKWASHER, 10 - 24 X 9/16	11	10	F1823	HEX HEAD CAP SCREW, 5/16 - 18 X 1	17	12
F1107	HEAD SCREW, 1/4 - 20 X 3/4	17	6	F1829	HEAD SCREW, 10 - 24 X 7/8	21	35
F1111	HEAD SCREW, 1/4 - 20 X 7/8	15	1	F1832	LOCKNUT 1/4 - 20	5	9
F12088	GROMMET	11	18	F1832	LOCKNUT, 1/4 - 20	13	8
F12376	WIRE, MAGNETO SHORTING	11	4	F1832	LOCKNUT, 1/4 - 20 S.S.	3	10
F12377	STATOR, PLATE W/LAMINATIONS	11	15	F183813	BEARING, MAGNETO CONTROL LEVER	21	4
F12378	SPRING, COIL WEDGE	11	17	F1846	COTTER PIN	27	27
F12379	COIL	11	16	F1854	HEX HEAD CAP SCREW, 1/4 - 20 X 5/8	3	23
F12380	SCREW (PLASTIC)	11	8	F1859	HEX HEADLESS SOCKET SET SCREW	21	26
F12381	WASHER (PLASTIC)	11	9	F1864	SCREW, HEX HEAD 1/4 - 20 X 3/4 S.S.	13	2
F12382	SCREW	11	11	F18906	GASKET, CARBURETOR	7	11
F127910-2	BALL BEARING	27	13	F1907	WASHER	19	5
F1286	PAN HEAD SCREW, 4 - 40 X 3/16	7	26	F1922	HEX CAP SCREW, 1/4 - 20	21	13
F1335	HEAD SCREW, 5/16 - 18 X 1-1/4	17	7	F1922	HEX HEAD SCREW, 1/4 - 20 X 5/8	7	17
F1341	HEX NUT, 1/4 - 20	19	29	F1976	SOCKET HEAD CAP SCREW W/LOCKWASHER, 10 - 24 X 1/2	27	2
F141118	SEAL, CRANKSHAFT LOWER	15	16	F197767-2	BUSHING (FUEL LINE)	7	36
F1490	HEX NUT, 1/4 - 20	7	12	F197787-3	COUPLER	31	5
F1490	HEX NUT, 1/4 - 20	27	19	F1978	SPRING PIN	21	25
F1493	HEAD SCREW, 1/4 - 20 X 5/8	27	29	F197813	BEARING	19	9
F1608	SQUARE NUT, 1/4 - 20	19	4	F197813	BEARING	21	31
F1666	BOWED SPRING WASHER	25	3	F197813	BEARING, STEERING HANDLE STOP	21	20
F1704	LOCKWASHER, #6 S.S.	7	3	F2008	HEX HEAD SCREW, 1/4 - 20 X 7/8	7	13
F174017	PIN, PISTON	15	19	F2008	HEX HEAD SCREW, 1/4 - 20 X 7/8	17	2
F1755	ROUND HEAD SCREW W/LOCKWASHER, 6 - 32 X 5/16	7	2	F2014	WASHER	25	19
F17815	SEAL	31	6	F2030	HEX HEAD SCREW, 1/4 - 20 X 1-1/4 S.S.	29	45
F17816	SEAL	31	7	F2040	HEX HEAD MACHINE SCREW, 1/4 - 20 X 5/8 S.S.	17	11
				F2042	WASHER	3	2

PARTS INDEX

Part Number	Description	Pg.	Ref. No.	Part Number	Description	Pg.	Ref. No.
F213274	FITTING, GREASE	19	26	F286451	SPACER	25	4
F213274	FITTING, GREASE	21	16	F286451	SPACER, TILT LOCK	19	20
F215795	SEAL (SMALL)	21	37	F286461	SPRING, LOCK BAR		
F2209	PAN HEAD SELF TAPPING				HANDLE	25	14
	SCREW 10 - 16	5	4	F286490	STOP, STEERING HANDLE	21	21
F2209	SCREW, PAN HEAD 10 - 16			F286509	LINK, THROTTLE CAM	21	2
	X 1/2 S.S.	13	14	F286529-3	GASKET, CYLINDER HEAD	17	13
F2210	SCREW, PAN HEAD 1/4 - 14			F286539	BUMPER	21	10
	X 1/2 S.S.	13	18	F286544-1	SPRING, TILT STOP	25	5
F2211	HEX HEAD CAP SCREW, 10			F286547	KNOB	9	38
	- 24 X 5/8 S.S.	3	1	F286555	GASKET, GEAR HOUSING	27	10
F2215	HEX SET SCREW, #6 - 32 X			F286571	CENTER MAIN BEARING		
	3/16	9	33		ROLLER SET (26 PER		
F24074	FOOT, CLAMP SCREW	25	12		SET)	15	9
F24748-2	GASKET, FUEL PUMP	7	25	F286573-1	CLAMP, STEERING		
F2706772	HOSE CLAMP	7	14		FRICITION	19	6
F2788004	STUD, CARBURETOR	7	10	F286611-1	ROD, GEARSHIFT	5	18
F286008	STUD, REAR	27	11	F286614	HANDLE, GEARSHIFT	5	29
F286011	WASHER, SWIVEL BRACKET	19	2	F286615	GEAR SHIFT ROD, UPPER	27	1
F286019	KINGPIN	19	28	F286615	ROD, GEARSHIFT UPPER	5	13
F286028	BEARING, CRANKSHAFT			F286634-1	SCREW, CONNECTING ROD	15	13
	UPPER	15	7	F286647	HANDLE, CARRYING	25	7
F286079-1	HANDLE, STEERING	21	39	F286685	CONNECTOR, GEARSHIFT		
F286080	SCREW, STEERING HANDLE				ROD	5	20
	PIVOT	21	18	F286721	CAM, SHIFT	27	16
F286114	HANDLE, LOCK BAR	25	16	F286728	SHIFT PIN	27	34
F286134	STUD, GEARSHIFT LEVER	5	27	F286772-1	CLAMP	7	18
F286151	PLATE, EXHAUST	17	4	F286818	BEARING	21	29
F286152	COVER, EXHAUST	17	1	F286827	LEVER, REVERSE LOCK	19	15
F286154	GASKET, EXHAUST COVER	17	3	F286868	SPRING, STEERING		
F286159-1	GASKET, REED PLATE	7	5		HANDLE STOP	21	19
F286169	BEARING, LOWER SWIVEL			F286871	PIN, GEARSHIFT LEVER	5	25
	BRACKET	19	27	F286876	LEVER, GEARSHIFT	5	23
F286169	BEARING, SWIVEL			F286895	SPRING, CAM DETENT	27	15
	BRACKET	19	3	F286901	BEARING, PROPELLER		
F286220	WASHER, STEERING				SHAFT	27	31
	HANDLE	21	32	F286903	RACE, PROPELLER SHAFT		
F286222	COVER, TRANSFER PORT	7	31		BEARING	27	30
F286223	GASKET, TRANSFER PORT			F286914	SLEEVE, WATER LINE	19	36
	COVER	7	32	F286956	BRACKET, SHOCK MOUNT		
F286224-1	INSERT, STEERING HANDLE				LOWER	19	30
	PIVOT	21	30	F286989-2	SEAL, SUPPORT PLATE	3	16
F286244	LINE, WATER	19	35	F289664	WIRE, STATOR GROUND	11	14
F286277	GASKET, CRANKSHAFT			F298788	FERRULE	31	2
	BEARING CAGE	15	5	F2A24757	PLATE, FUEL PUMP		
F286279-2	GASKET, CYLINDER MOUNT	17	10		W/REEDS	7	29
F286282	WASHER	21	7	F2A286016	ROD, CONNECTING W/CAP		
F286286-1	WASHER	19	18		AND SCREWS	15	12
F286300	SPRING, REVERSE LOCK	19	25	F2A477133	LEG, MOTOR	19	37
F286346	MOUNT, LOWER SHOCK	19	34	F2A681018	CRANKSHAFT W/UPPER		
F286347	MOUNT, UPPER SHOCK	19	1		MAIN BEARING	15	6
F286349	REVERSE LOCK	19	23	F2C703712	COVER, COMPLETE		
F286364	LEVER, REVERSE LOCK	19	10		(PAINTED W/DECALS)	3	-
F286414	SPRING, LEG WATER			F307818	BEARING	3	19
	BRACKET	19	39	F307818	BEARING	5	26
F286422-1	PIVOT	25	2	F307818	BEARING	21	14
F286422-1	PIVOT, TILT LOCK	19	19	F31160-1	REED	7	6
F286433	BRACKET, REVERSE LOCK	19	24	F31410	RETAINING RING, PISTON		
F286440	STUD, MAGNETO CONTROL				PIN	15	18
	LEVER	21	1				

PARTS INDEX

Part Number	Description	Pg.	Ref. No.	Part Number	Description	Pg.	Ref. No.
F338618-1	SEAL, SHIFT ROD LOWER	27	5	F681003	ARM, STARTER INTERLOCK	5	2
F341384	RETAINER	9	40	F681008	STUD	5	7
F341562	WATER PUMP BACKPLATE	27	40	F681026	SCREW, LATCH ROLLER	3	12
F341693	WEDGE, STEERING HANDLE	21	33	F681033	SWIVEL	9	32
F343014	BEARING, CRANKSHAFT LOWER MAIN	15	15	F681046	BULB, PRIME	7	34
F343226-1	PLUG	3	17	F681061-1	CARBURETOR COMPLETE	9	34
F344128	DRIVESHAFT (20 INCH TRANSOM MODELS)	27	41	F681090	PLATE, HANDLE SUPPORT	13	17
F346118	SEAL, PROP SHAFT	27	24	F681091	NUT, FLYWHEEL	11	1
F346146	SEAL, CRANKSHAFT UPPER	15	2	F681132	HANDLE, STARTER ROPE	13	21
F392756	PACKING	3	13	F681134	STUD	5	6
F3A681010	CYLINDER	17	5	F681232	ROPE	13	10
F40253-1	FUEL LINE (SUPPORT PLATE TO FUEL PUMP)	7	15	F681243	HOSE (PRIME BULB TO CARBURETOR)	7	35
F409719	SPRING, CLUTCH	27	37	F681263	LINK, INTERLOCK	5	15
F424075	HANDLE, CLAMP SCREW	25	11	F681329	LANYARD	11	7
F424168-1	GASKET, MANIFOLD	7	8	F681408	HOUSING	13	1
F429472	GASKET, CYLINDER DRAIN COVER	7	21	F681424	SPRING, INTERLOCK	5	5
F429541	LOCK, TILT	25	6	F681427	BRACKET	13	3
F429688	SHAFT, STEERING HANDLE	23	40	F681428	INSERT, STARTER HOUSING ROPE	13	5
F429811	SCREEN	7	20	F681490	STOP, STARTER INTERLOCK	5	1
F430732	HEX HEAD SCREW, 1/4 - 20 X 1	27	6	F681509	LINK, THROTTLE	9	26
F430732	SCREW, S.S.	19	41	F681531	ROD, INTERLOCK	5	10
F431838	SHAFT, MAGNETO CONTROL	21	9	F681579	SEAL	13	12
F436065-2	IMPELLER, WATER PUMP	29	43	F681592	RETAINER, STARTER PULLEY	13	13
F436280	NUT, SHORTING SWITCH	11	13	F681602	SWITCH, EMERGENCY STOP	11	6
F455305	SEAL, PROP SHAFT BEARING CAGE	27	22	F681619	LEVER, SHIFT HANDLE SHAFT	5	30
F456098	PROPELLER SHAFT	27	38	F681711	PLATE, FRONT	3	15
F456717	THRUST WASHER	27	20	F681741	RING, RETAINING	13	4
F458498	KEY, MAGNETO	11	23	F681742	LEVER, INTERMEDIATE INTERLOCK	5	16
F458677	INSERT	9	37	F681759	ROLLER, LATCH	3	11
F458695	SLEEVE	23	42	F681817	RETAINER, STARTER ROPE	13	20
F461342	SEAL, DRIVESHAFT SPLINE	15	14	F681874	FASTENER, HANDLE SUPPORT PLATE	13	19
F472015-2	PISTON	15	17	F681954	COVER, PRIME BULB	7	33
F481777	CAM, LATCH	3	21	F681970	SPRING, STARTER REWIND	13	6
F487660-1	EXHAUST TUBE	17	9	F681971	PLUG	13	7
F487816	BEARING, STEERING HANDLE	21	36	F681997	LEVER, NEUTRAL SPEED INTERLOCK	5	8
F492417	SHAFT, GEARSHIFT HANDLE	5	14	F7009	LOCKNUT, 10 - 24 S.S.	3	4
F492845	EXTENSION, MOTOR LEG (20 INCH TRANSOM MODELS)	19	40	F7026	STOP NUT, 3/8 - 16	25	18
F50109	PLUG, GEAR HOUSING	27	8	F702801	FITTING, FUEL	31	16
F525286	WASHER	19	14	F703269	HANDLE, TILT	3	3
F536813	BEARING	19	12	F703390	DECAL, START PROCEDURE (NOT SHOWN)	3	-
F53795-1	SEAL (LARGE)	21	38	F703396	DECAL, STARBOARD	3	8
F5H214	FUEL TANK W/LINE (6 GALLON)	31	15	F703397	DECAL, PORT	3	-
F617192	PLATE, THROTTLE CAM	11	25	F703398	DECAL, FUEL MIX (NOT SHOWN)	31	-
F617503	ROD	9	39	F703518	HEAD, CYLINDER	17	14
F618445	LINK, MAGNETO SHAFT	21	6	F703528	DECAL, REAR	3	7
F619161-1	REED STOP, 7.5 HP	7	4	F73082	RING, MAGNETO STATOR	15	4
F66480	STUD, CLAMP SCREW	25	13	F8003	PLAIN WASHER	7	27
F676585	DECAL, TILT LOCK	19	21	F8025	PLAIN WASHER	17	16

PARTS INDEX

Part Number	Description	Pg.	Ref. No.	Part Number	Description	Pg.	Ref. No.
F8048	BOWED SPRING WASHER	5	19	FA456023	GEAR, FRONT BEVEL		
F8048	BOWED WASHER	3	20		W/BEARING	27	32
F8058	INTERNAL TOOTH			FA456137	GRIP, STEERING HANDLE		
	LOCKWASHER	5	22		W/SLEEVE	23	43
F8058	INTERNAL TOOTH			FA456521	CLUTCH	27	35
	LOCKWASHER	21	34	FA456662	GEAR, BEVEL REAR		
F8060	EXTERNAL TOOTH				W/BEARING	27	21
	LOCKWASHER	21	12	FA472260	RING SET, PISTON (4 PER		
F8077	NYLTITE WASHER	27	9		SET)	15	20
F8083	SPRING LOCKWASHER	3	22	FA504060	WATER PUMP BODY		
F8083	SPRING LOCKWASHER	19	31		W/DRIVESHAFT SEAL	29	44
F8083	SPRING LOCKWASHER	27	18	FA510914	SEAL, WATER LINE	29	46
F8088	WASHER	9	31	FA517228	CONNECTING ROD ROLLER		
F8143	WASHER, PLAIN #10	5	3		SET (2 PER SET)	15	11
F84026	SCREW, SHOULDER	5	12	FA609853	DECAL, SHIFT WARNING	11	2
F84026	SCREW, SHOULDER	13	15	FA617113	LOCK BAR W/HANDLE	25	17
F84035-2	BEARING, CONTROL ROD	5	11	FA619158	REED PLATE W/REEDS AND		
F8537	SPRING PIN	25	8		REED STOPS - 7.5 HP	7	7
F8538	SPRING PIN	19	8	FA681038	SUPPORT PLATE	3	14
F8540	SPRING PIN	5	28	FA681239	STARTER PULLEY		
F8540	SPRING PIN	25	15		ASSEMBLY W/PLUG AND		
F8542	SPRING PIN	5	24		SEAL	13	11
F8548	SPRING PIN	23	41	FA681469	HANDLE, COVER LATCH	3	18
F8553	SPRING PIN	27	12	FA681630	SUPPORT, HANDLE	13	16
F8554	SPRING PIN	25	10	FA688097	FLYWHEEL	11	3
F8559	DOWEL PIN	17	8	FA84754-1	HOSE	31	1
F85610	BEARING	21	28	FC456054	GEAR HOUSING KIT	27	-
F8564	SPRING PIN	27	36	FC618894	INDICATOR, STEERING		
F901307-2	SEAL, DRIVESHAFT	27	39		HANDLE	23	44
F901307-2	SEAL, MOTOR LEG	19	38	FC681010	SHORT BLOCK	7	1
F901563	PIN, IMPELLER DRIVE	29	42	FC681010	SHORT BLOCK	17	-
F901746-2	COVER, FUEL PUMP	7	24	FG1005-1	GASKET SET	17	17
F901754	FUEL LINE (FUEL PUMP TO			FK10249	GASKET SET	9	35
	CARBURETOR)	7	16	FK10250	REPAIR PARTS KIT	9	36
F901811	FILTER, FUEL	7	22	FK1031-1	WATER PUMP KIT	27	33
F901938-1	SCREW, CYLINDER HEAD	17	15	FK1065	SEAL KIT	29	47
F9030	RETAINER	9	9	FK1123	SPARKIE W/SPRING	11	20
F98273	STUD, GEARSHIFT ROD			FO10165	GASKET, INLET SEAT	9	19
	CONNECTOR	5	21	FO10247	JET, MAIN FUEL (.055)	9	20
FA1844	HEX BOLT			FO10280	SCREW, CHOKE SHUTTER		
	W/LOCKWASHER, 1/4 - 20				RETAINING	9	8
	X 2-3/8 S.S.	19	32	FO10280	SCREW, THROTTLE		
FA286054	GEAR HOUSING LOWER				SHUTTER RETAINING	9	30
	W/PROP SHAFT BEARING			FO10588	PLUG, CUP	9	2
	AND PLUG	27	17	FO11103	SPRING, IDLE MIXTURE		
FA286155	CENTER MAIN BEARING				NEEDLE	9	17
	LINER SET (2 PER SET)	15	8	FO13554	FLOAT	9	10
FA286266	GEAR, BEVEL PINION			FO13944	PIN, FLOAT	9	11
	W/BALL BEARING	27	14	FO13945	SCREW, FUEL BOWL		
FA286582	ARM, STEERING W/BUMPER				RETAINING	9	14
	AND SPRING PIN	21	11	FO15366	BOWL, FUEL	9	12
FA324101	PROPELLER PIN, PACK OF			FO15520	NEEDLE, IDLE MIXTURE	9	16
	3 W/COTTER PIN	27	28	FO15623	GASKET, FUEL BOWL	9	13
FA341510	LINK, REVERSE LOCK	19	22	FO15718	SHAFT, THROTTLE	9	27
FA343178	RETAINER W/SET SCREW	21	24	FO15736	SHAFT, CHOKE	9	6
FA387742	LEVER, REVERSE LOCK			FO16878	SHUTTER, THROTTLE	9	29
	INTERMEDIATE	19	13	FO2510	GASKET, FUEL BOWL		
FA424167	MANIFOLD W/STUDS	7	9		RETAINING SCREW	9	15
				FO2531	PLUG, WELCH	9	1
				FO4784	BALL, CHOKE FRICTION	9	4

PARTS INDEX

Part Number	Description	Pg.	Ref. No.	Part Number	Description	Pg.	Ref. No.
FO8805	SPRING, CHOKE FRICTION	9	5				
FP6430	PROPELLER, 8 X 8-1/4 X 3 - 3 BLADE - NYLON	27	25				
FS617532	STERN BRACKET W/CLAMP SCREW	25	1				
FS681712	COVER, BASIC (UNPAINTED)	3	5				
FS902144	EXTENSION, WATER LINE (20 INCH TRANSOM MODELS)	19	33				
11-817752A1	PROPELLER NUT W/COTTER PIN	27	26				
27-818043A1	FUEL PUMP DIAPHRAGM W/GASKETS	7	30				
31-817756A2	CAGE, PROP SHAFT BEARING W/BEARING END SEALS	27	23				
32-817738A1	HOSE	31	3				
33-82370M	SPARK PLUG (CHAMPION L- 82C)	11	21				
43-818009--1	GEAR, MAGNETO CONTROL SHAFT	21	27				
87-817952A1	SWITCH, STOP W/NUT	11	5				
1100-817753A1	CAGE, CRANKSHAFT W/SEAL	15	3				
1400-817750A4	BRACKET, SWIVEL W/GREASE FITTING AND LOWER BEARING	19	17				
1600-824916A1	GEAR HOUSING UPPER 1/BEARING, PLUGS AND SEALS	27	7				