



PARTS CATALOG

SEARS 15 H.P.

SERIAL NUMBER

15 H.P. (1989) 225.581501

TABLE OF CONTENTS:

CARBURETOR 15 HP	8
CRANKSHAFT AND PISTON	16
CYLINDER	18
ENGINE COVER AND SUPPORT PLATE	2
FUEL INTAKE AND RECIRCULATION SYSTEM	6
FUEL TANK AND LINE	32
GEAR HOUSING	28
IGNITION SYSTEM	12
MOTOR LEG AND SWIVEL BRACKET	20
PARTS INDEX	34
SHIFT LINKAGE	4
STARTER	14
STERN BRACKETS	26
TILLER HANDLE AND THROTTLE LINKAGE	22

NOTE: *Indented description indicate that these parts are included in preceeding assembly.*

AR = As Required

NSS = Not Sold Separate

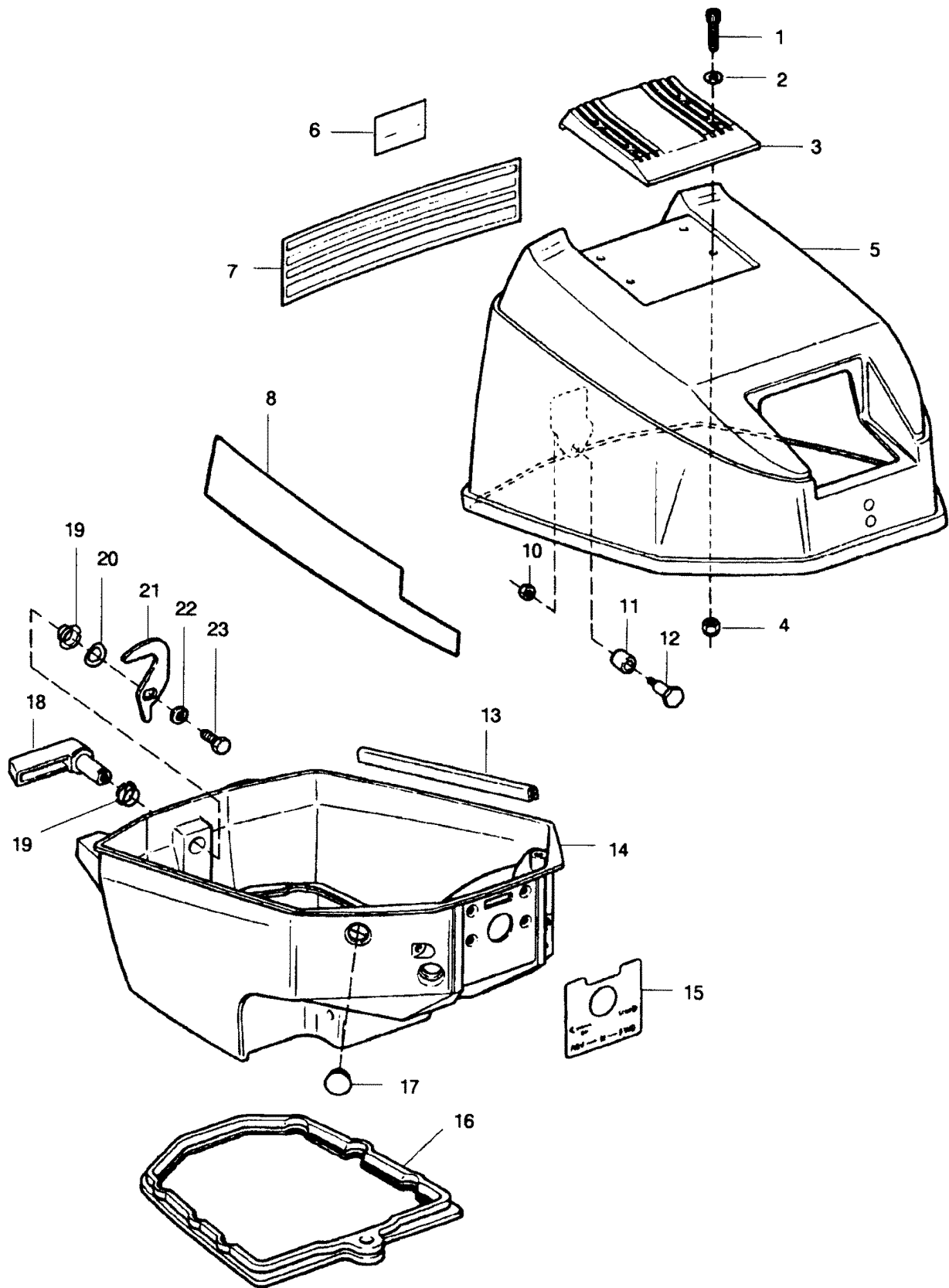
OPT = Optional

NS = Not Shown

THESE PARTS BOOKS/FICHE CARD ARE COPYRIGHTED AND MAY NOT BE DISTRIBUTED OR REPRODUCED IN ANY OTHER FORMAT BY ANYONE OTHER THAN MERCURY MARINE WITHOUT THE PRIOR WRITTEN CONSENT OF MERCURY MARINE.

THIS PAGE INTENTIONALLY LEFT BLANK

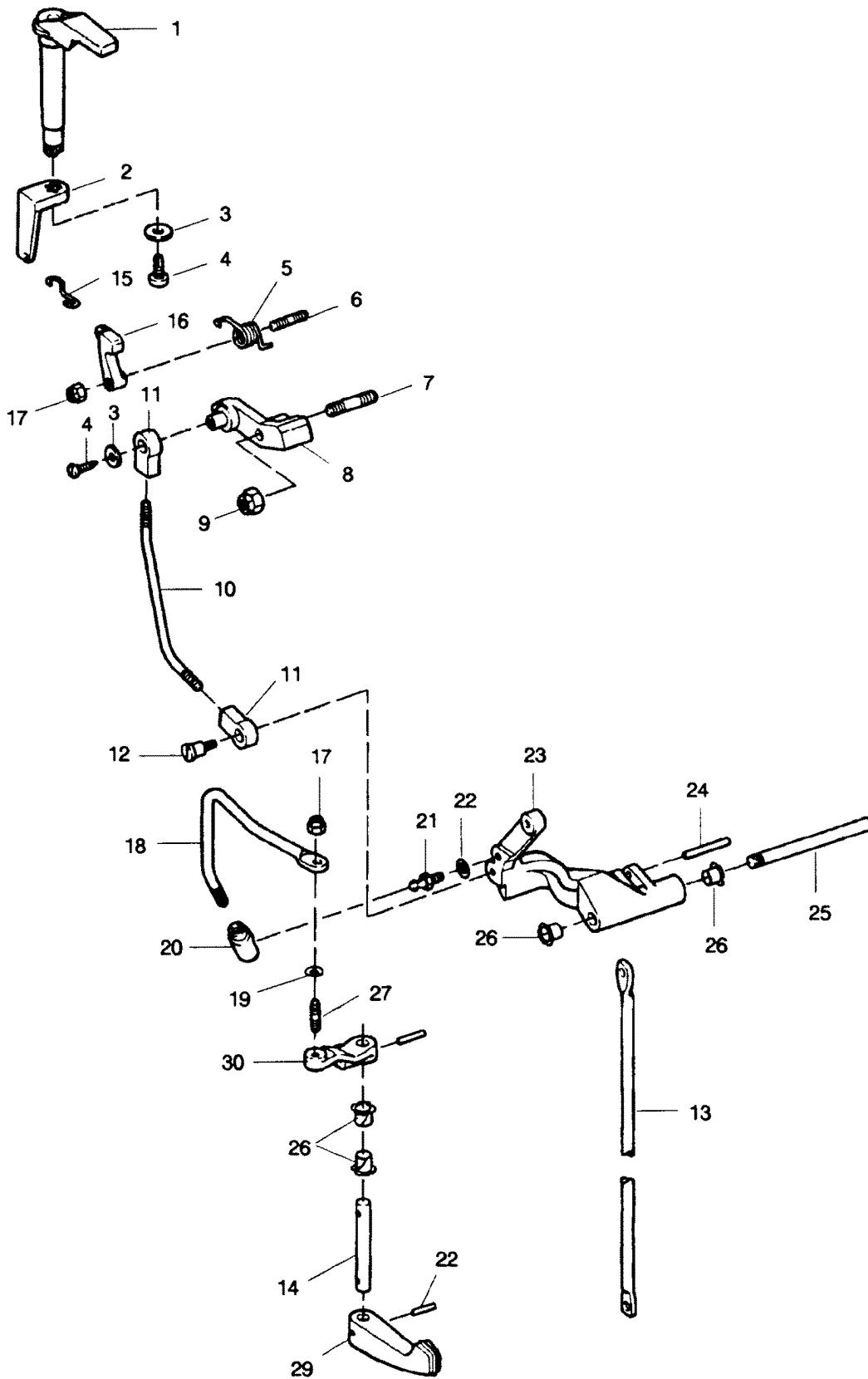
ENGINE COVER AND SUPPORT PLATE



ENGINE COVER AND SUPPORT PLATE

REF. NO.	PART NO.	SYM.	QTY.	DESCRIPTION
1	F2211		4	HEX HEAD CAP SCREW, 10 - 24 X 5/8 S.S.
2	F2042		4	WASHER
3	F681269		1	HANDLE, TILT
4	F7009		4	LOCKNUT, 10 - 24 S.S.
5	FS681712		1	COVER, BASIC (UNPAINTED)
-	F2C705712		0	COVER, COMPLETE (PAINTED W/DECALS - 15 HP)
7	F705528		1	DECAL, REAR
8	F705396		1	DECAL, STARBOARD - 15 HP
-	F705397		1	DECAL, PORT - 15 HP
10	F1832		1	LOCKNUT, 1/4 - 20 S.S.
11	F681759		1	ROLLER, LATCH
12	F681026		1	SCREW, LATCH ROLLER
13	F392756		1	PACKING
14	FA681038		1	SUPPORT PLATE
15	F681711		1	PLATE, FRONT
16	F286989-2		1	SEAL, SUPPORT PLATE
17	F343226-1		2	PLUG
18	FA681469		1	HANDLE, COVER LATCH
19	F307818		2	BEARING
20	F8048		1	BOWED WASHER
21	F481777		1	CAM, LATCH
22	F8083		1	SPRING LOCKWASHER
23	F1854		1	HEX HEAD CAP SCREW, 1/4 - 20 X 5/8
-	F703390		1	DECAL, START PROCEDURE (NOT SHOWN)

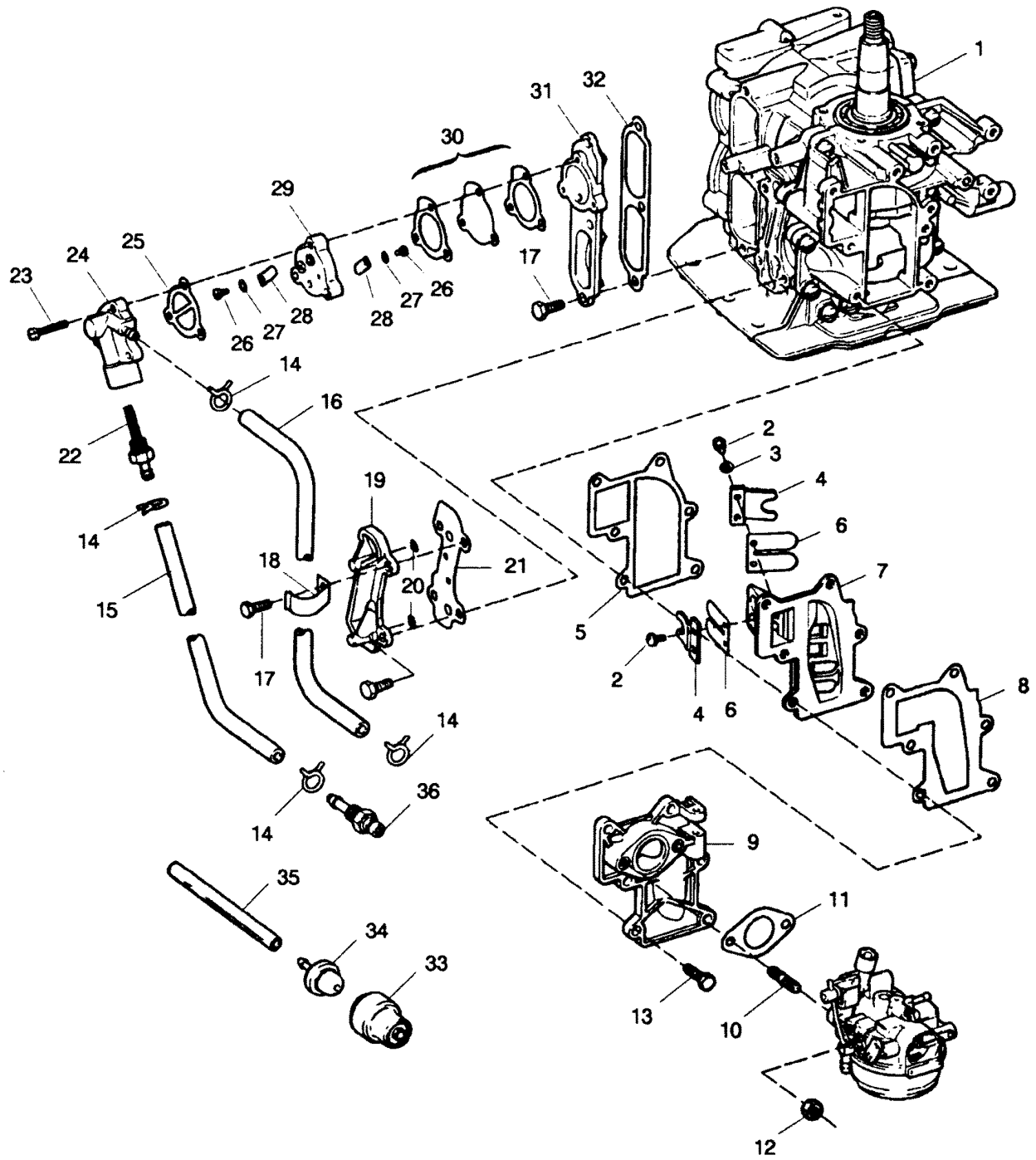
SHIFT LINKAGE



SHIFT LINKAGE

REF. NO.	PART NO.	SYM.	QTY.	DESCRIPTION
1	F681490		1	STOP, STARTER INTERLOCK
2	F681003		1	ARM, STARTER INTERLOCK
3	F8143		1	WASHER, PLAIN #10
4	F2209		1	PAN HEAD SELF TAPPING SCREW 10 - 16
5	F681424		1	SPRING, INTERLOCK
6	F681134		1	STUD
7	F681008		1	STUD
8	F681997		1	LEVER, NEUTRAL SPEED INTERLOCK
9	F1832		1	LOCKNUT 1/4 - 20
10	F681531		1	ROD, INTERLOCK
11	F84035-2		2	BEARING, CONTROL ROD
12	F84026		1	SCREW, SHOULDER
13	F286615		1	ROD, GEARSHIFT UPPER
14	F492417		1	SHAFT, GEARSHIFT HANDLE
15	F681263		1	LINK, INTERLOCK
16	F681742		1	LEVER, INTERMEDIATE INTERLOCK
17	F1804		2	STOP NUT, 10 - 32
18	F286611-1		1	ROD, GEARSHIFT
19	F8048		1	BOWED SPRING WASHER
20	F286685		1	CONNECTOR, GEARSHIFT ROD
21	F98273		1	STUD, GEARSHIFT ROD CONNECTOR
22	F8058		1	INTERNAL TOOTH LOCKWASHER
23	F286876		1	LEVER, GEARSHIFT
24	F8542		1	SPRING PIN
25	F286871		1	PIN, GEARSHIFT LEVER
26	F307818		4	BEARING
27	F286134		1	STUD, GEARSHIFT LEVER
28	F8540		2	SPRING PIN
29	F286614		1	HANDLE, GEARSHIFT
30	F681619		1	LEVER, SHIFT HANDLE SHAFT

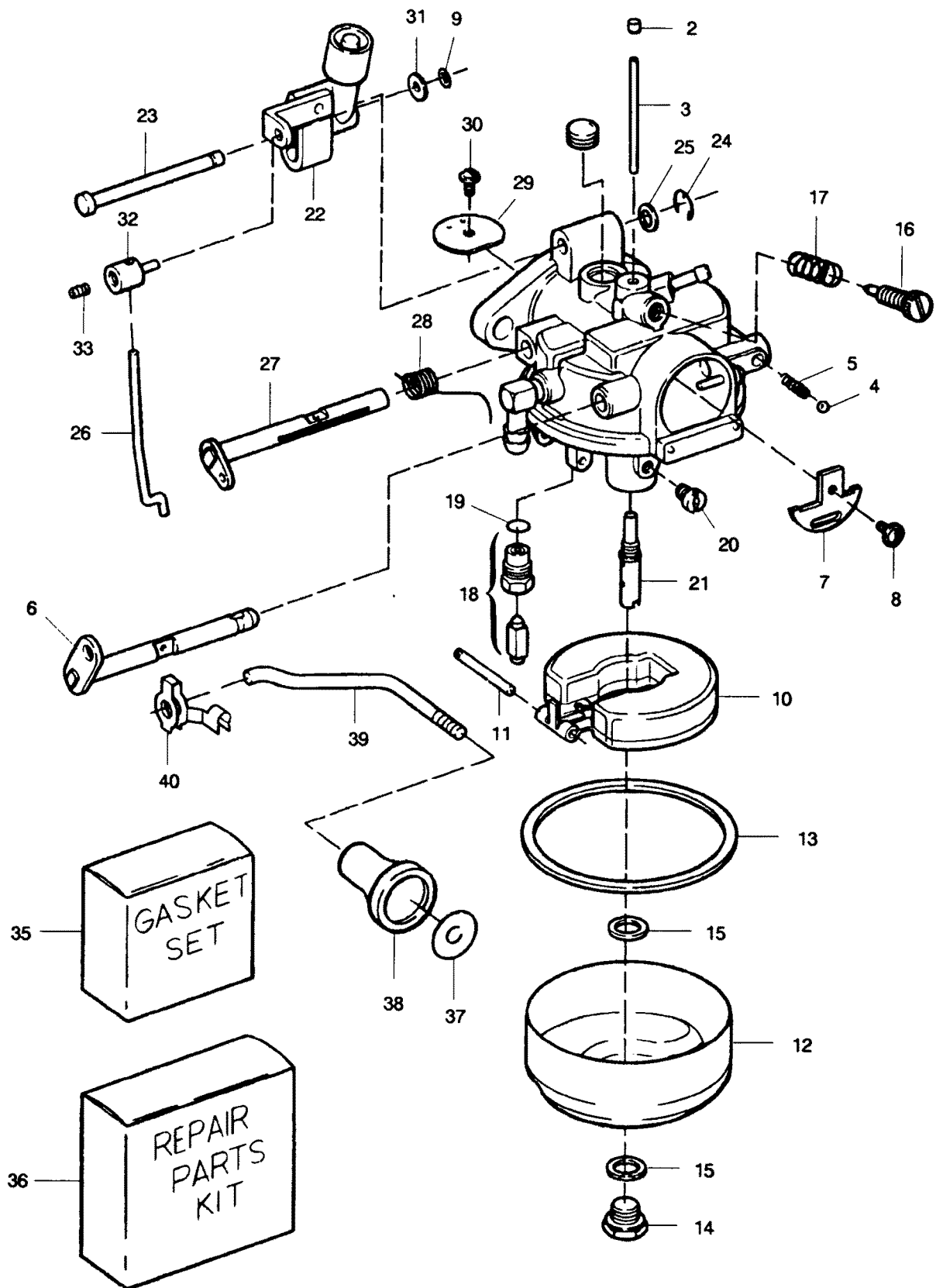
FUEL INTAKE AND RECIRCULATION SYSTEM



FUEL INTAKE AND RECIRCULATION SYSTEM

REF. NO.	PART NO.	SYM.	QTY.	DESCRIPTION
1	FC681010		1	SHORT BLOCK
2	F1755		8	ROUND HEAD SCREW W/LOCKWASHER, 6 - 32 X 5/16
3	F1704		2	LOCKWASHER, #6 S.S.
4	F424161		4	REED STOP, 15 HP
5	F286159-1		1	GASKET, REED PLATE
6	F31160-1		4	REED
7	FA424158		1	REED PLATE W/REEDS AND REED STOPS - 15HP
8	F424168-1		1	GASKET, MANIFOLD
9	FA424167		1	MANIFOLD W/STUDS
10	F2788004		2	STUD, CARBURETOR
11	F18906		1	GASKET, CARBURETOR
12	F1490		2	HEX NUT, 1/4 - 20
13	F2008		6	HEX HEAD SCREW, 1/4 - 20 X 7/8
14	F2706772		4	HOSE CLAMP
15	F40253-1		1	FUEL LINE (SUPPORT PLATE TO FUEL PUMP)
16	F901754		1	FUEL LINE (FUEL PUMP TO CARBURETOR)
17	F1922		7	HEX HEAD SCREW, 1/4 - 20 X 5/8
18	F286772-1		1	CLAMP
19	FA429471		1	COVER, CYLINDER DRAIN WITH CHECK VALVES AND SCREENS
20	F429811		2	SCREEN
21	F429472		1	GASKET, CYLINDER DRAIN COVER
22	F901811		1	FILTER, FUEL
23	F1069		3	HEAD SCREW, 10 - 24 X 1-1/16
24	F901746-2		1	COVER, FUEL PUMP
25	F24748-2		1	GASKET, FUEL PUMP
26	F1286		2	PAN HEAD SCREW, 4 - 40 X 3/16
27	F8003		2	PLAIN WASHER
28	F18160-3		2	REED, FUEL PUMP
29	F2A24757		1	PLATE, FUEL PUMP W/REEDS
30	27-818043A1		1	FUEL PUMP DIAPHRAGM W/GASKETS
31	F286222		1	COVER, TRANSFER PORT
32	F286223		1	GASKET TRANSFER PORT COVER
33	F681954		1	COVER, PRIME BULB
34	F681046		1	BULB, PRIME
35	F681243		1	HOSE (PRIME BULB TO CARBURETOR)
36	F197767-2		1	BUSHING (FUEL LINE)

CARBURETOR 15 HP

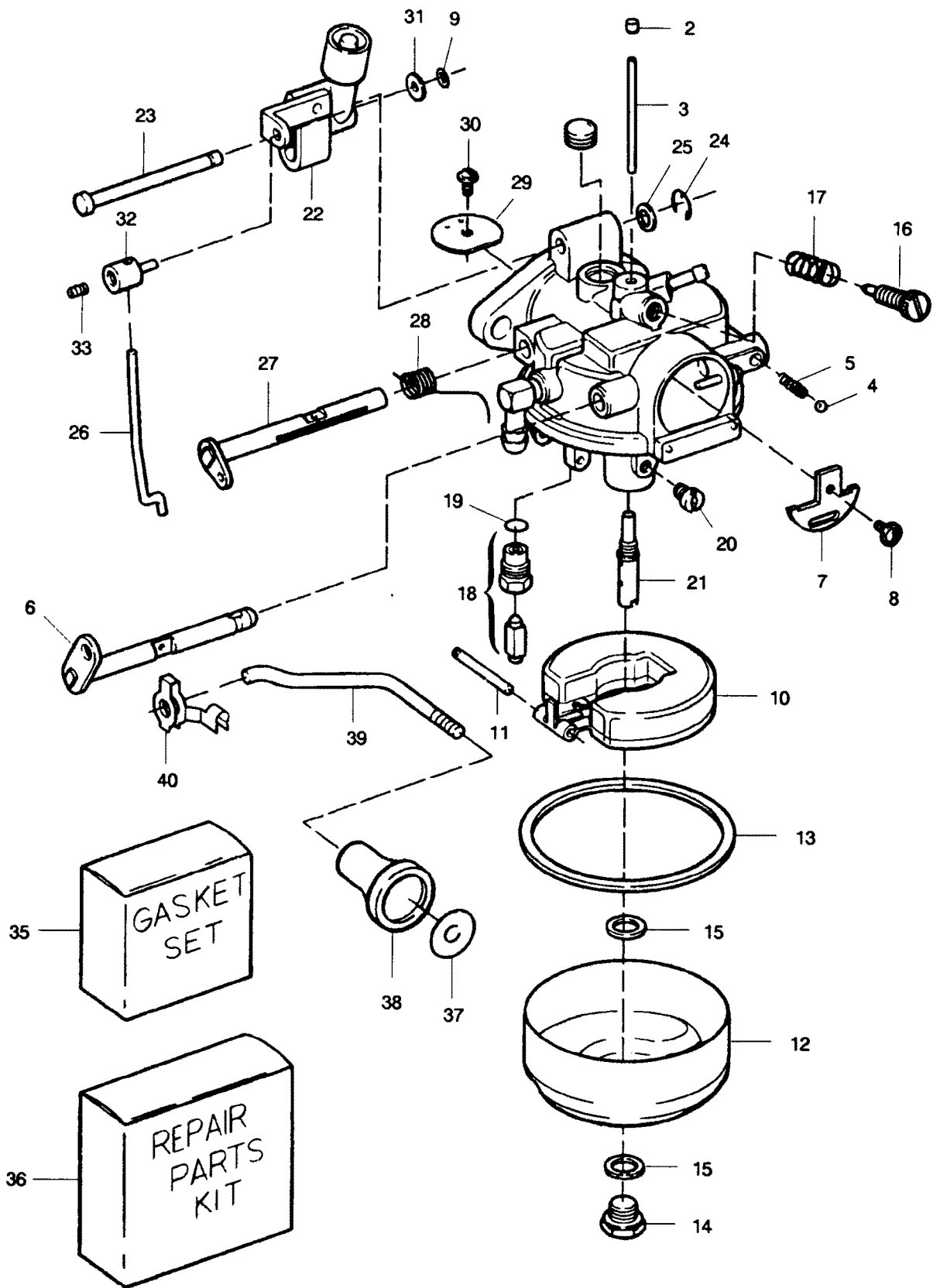


CARBURETOR 15 HP

REF. NO.	PART NO.	SYM.	QTY.	DESCRIPTION
1	FO2531		1	PLUG, WELCH
2	FO10588		1	PLUG, CUP
3	F10235		1	TUBE, BY-PASS
4	FO4784		1	BALL, CHOKE FRICTION
5	FO8805		1	SPRING, CHOKE FRICTION
6	FO15736		1	SHAFT, CHOKE
7	F10236		1	SHUTTER, CHOKE
8	FO10280		1	SCREW, CHOKE SHUTTER RETAINING
9	F9030		1	RETAINER
10	FO13554		1	FLOAT
11	FO13944		1	PIN, FLOAT
12	FO15366		1	BOWL, FUEL
13	FO15623		1	GASKET, FUEL BOWL
14	FO13945		1	SCREW, FUEL BOWL RETAINING
15	FO2510		2	GASKET, FUEL BOWL RETAINING SCREW
16	FO15520		1	NEEDLE, IDLE MIXTURE
17	FO11103		1	SPRING, IDLE MIXTURE NEEDLE
18	F10237		1	INLET NEEDLE, SEAT AND GASKET
19	FO10165		1	GASKET, INLET SEAT
20	FO11385		1	JET, MAIN FUEL (.063) SEA LEVEL - 2500 FT.
-	F10261		0	JET, MAIN FUEL (.061) 2500 - 5000 FT.
-	10259		0	JET, MAIN FUEL (.059) 5000 - 7500 FT.
-	10260		0	JET, MAIN FUEL (.057) 7500 - 10000 FT.
21	F10238		1	NOZZLE, MAIN
22	F10239		1	LINKAGE, THROTTLE
23	F10240		1	SHAFT, THROTTLE LINKAGE
24	F10241		1	"E" RING, THROTTLE LINKAGE SHAFT
25	F10242		1	WASHER, THROTTLE LINKAGE SHAFT
26	F681509		1	LINK, THROTTLE
27	FO15757		1	SHAFT, THROTTLE
28	F10246		1	SPRING, THROTTLE SHAFT RETURN
29	FO16878		1	SHUTTER, THROTTLE
30	FO10280		1	SCREW, THROTTLE SHUTTER RETAINING
31	F8088		1	WASHER
32	F681033		1	SWIVEL
33	F2215		1	HEX SET SCREW, #6 - 32 X 3/16
34	F682061-1		1	CARBURETOR COMPLETE
35	FK10243		1	GASKET SET

CONTINUED ON NEXT PAGE ➡

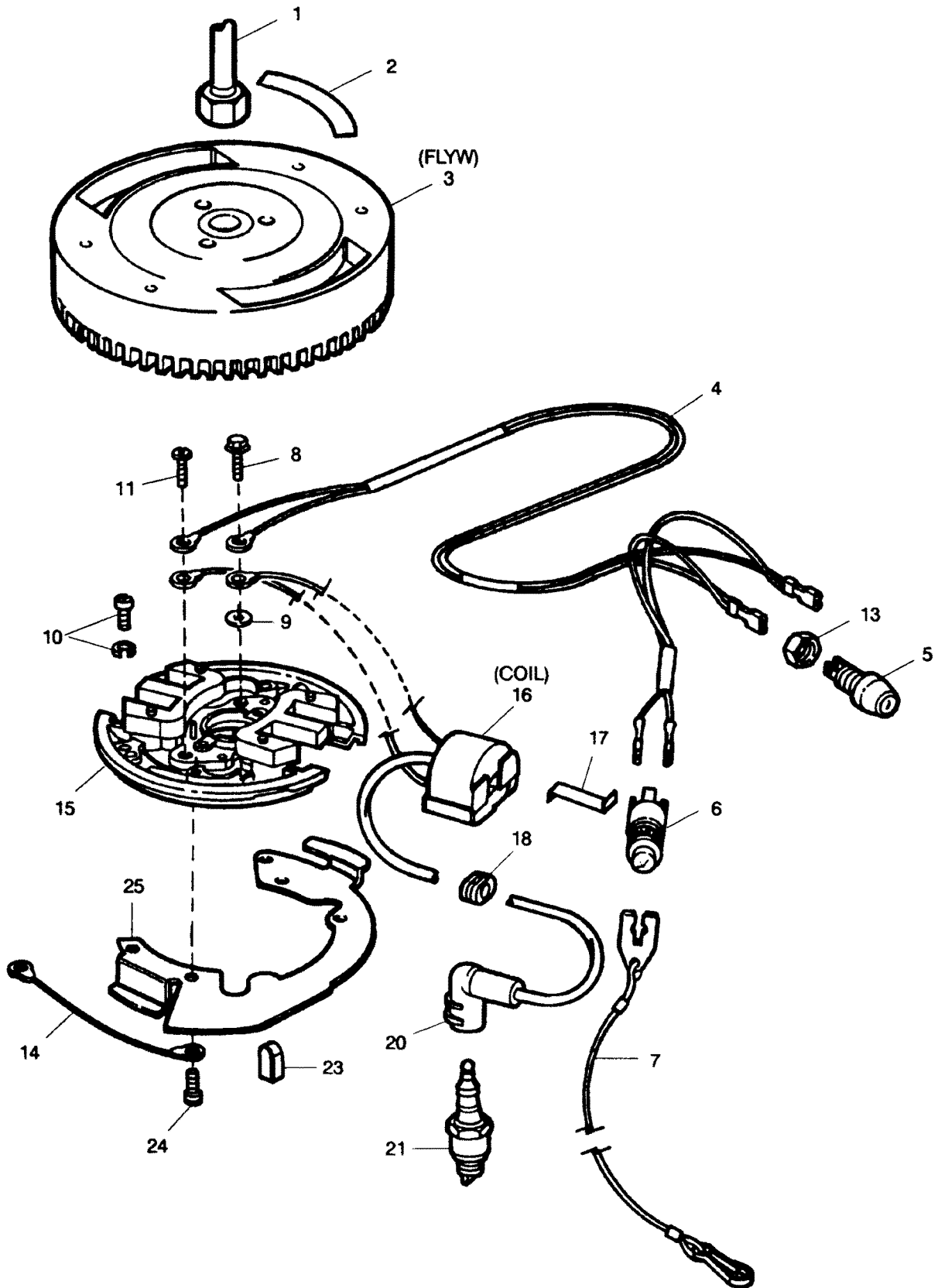
CARBURETOR 15 HP



CARBURETOR 15 HP

REF. NO.	PART NO.	SYM.	QTY.	DESCRIPTION
36	FK10244		1	REPAIR PARTS KIT
37	F458677		1	INSERT, CHOKE KNOB
38	F286547		1	KNOB, CHOKE
39	F617503		1	ROD, CHOKE
40	F341384		1	RETAINER, CHOKE ROD

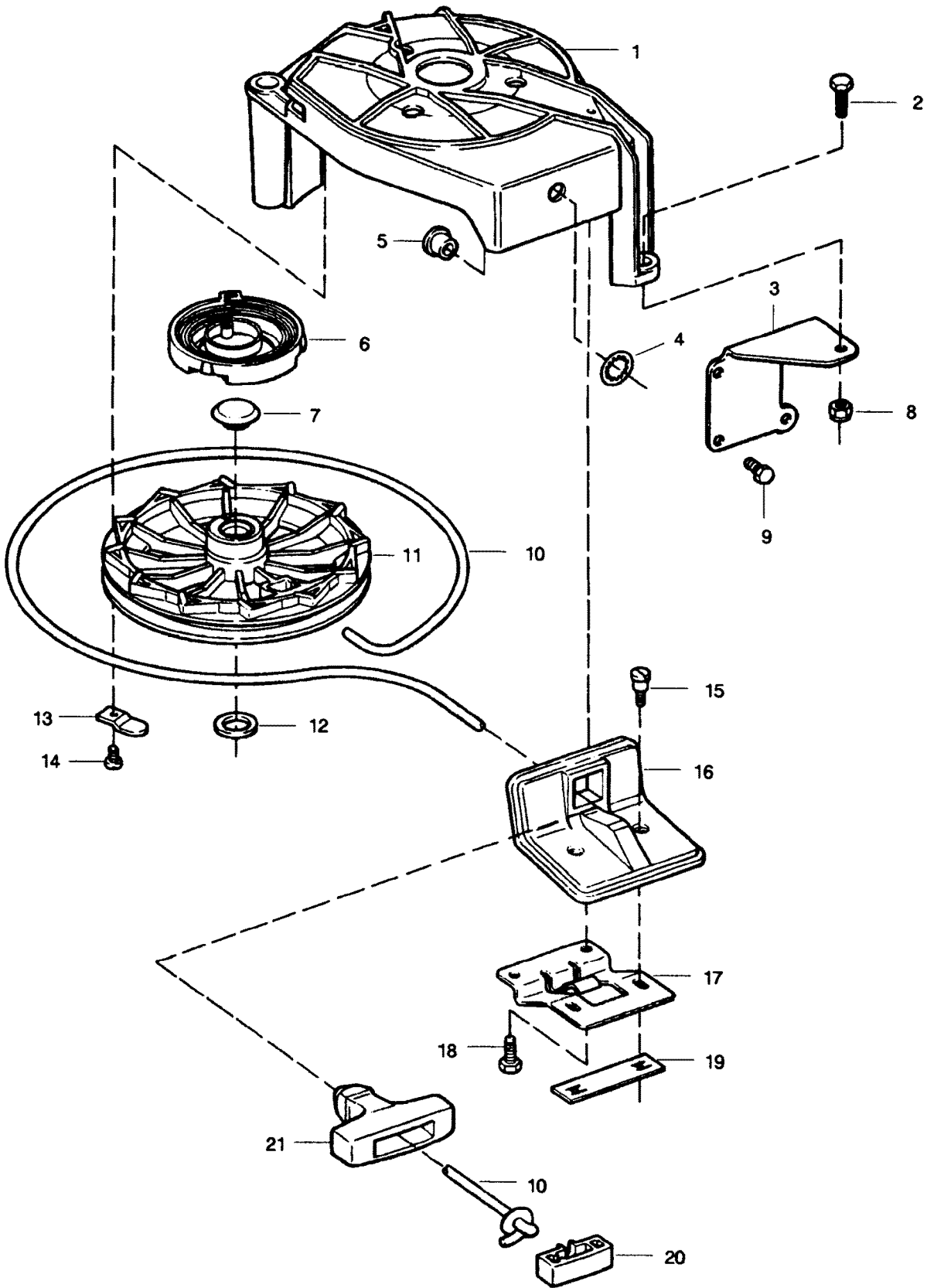
IGNITION SYSTEM



IGNITION SYSTEM

REF. NO.	PART NO.	SYM.	QTY.	DESCRIPTION
1	F681091		1	NUT, FLYWHEEL
2	FA609853		1	DECAL, SHIFT WARNING
3	FA688097		1	FLYWHEEL
4	F12376		1	WIRE, MAGNETO SHORTING
5	87-817952A1		1	SWITCH, STOP W/NUT
6	F681602		1	SWITCH, EMERGENCY STOP
7	F681329		1	LANYARD
8	F12380		1	SCREW (PLASTIC)
9	F12381		1	WASHER (PLASTIC)
10	F1090		4	SCREW W/LOCKWASHER, 10 - 24 X 9/16
11	F12382		1	SCREW
13	F436280		1	NUT, SHORTING SWITCH
14	F289664		1	WIRE, STATOR GROUND
15	F12377		1	STATOR, PLATE W/LAMINATIONS
16	F12379		2	COIL
17	F12378		2	SPRING, COIL WEDGE
18	F12088		2	GROMMET
20	FK1123		2	SPARKIE W/SPRING
21	33-82370M		2	SPARK PLUG (CHAMPION L-82C)
23	F458498		1	KEY, MAGNETO
24	F1075		4	SCREW, 10 - 24 X 1/2
25	F617192		1	PLATE, THROTTLE CAM

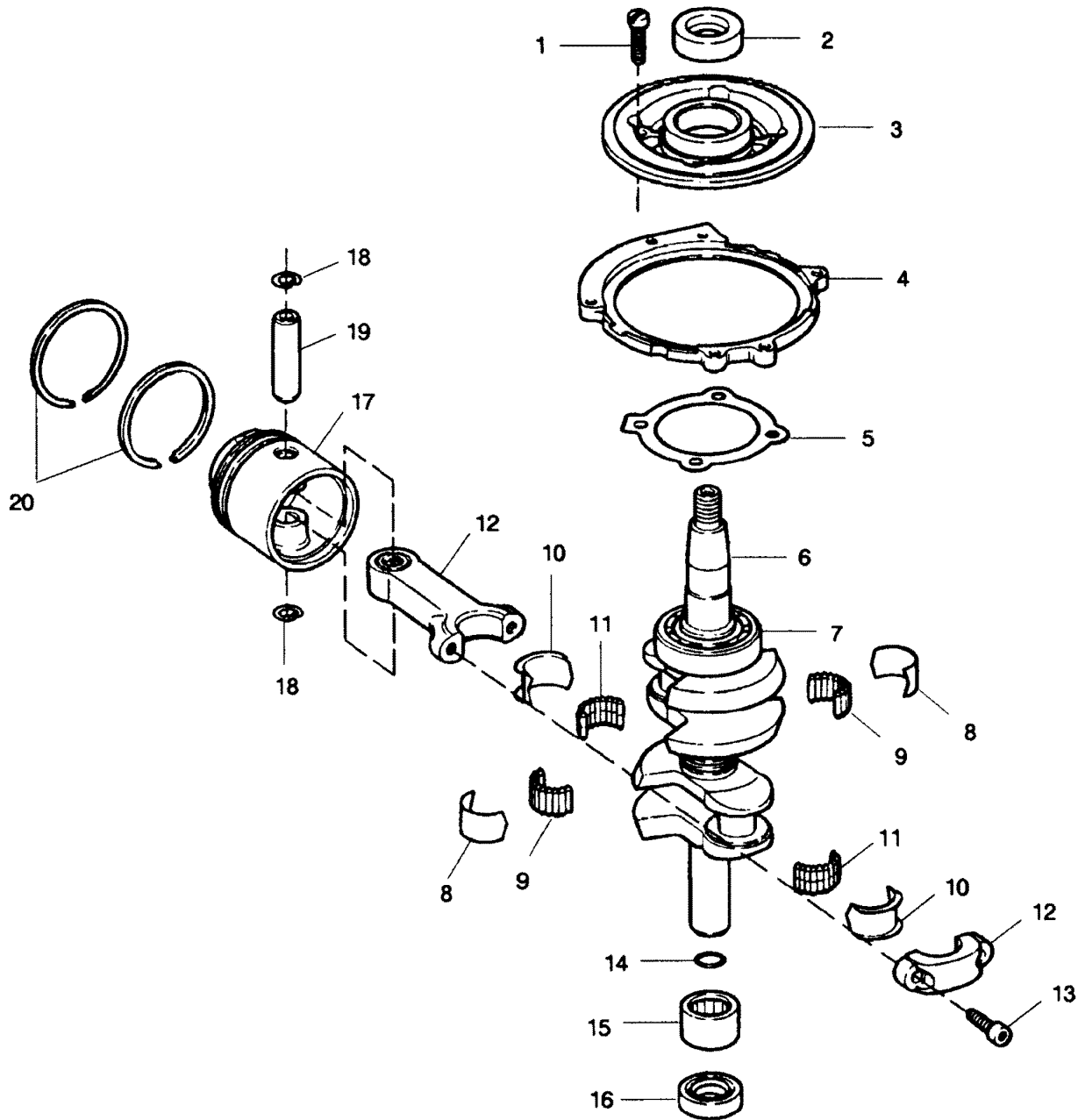
STARTER



STARTER

REF. NO.	PART NO.	SYM.	QTY.	DESCRIPTION
1	F681408		1	HOUSING
2	F1864		3	SCREW, HEX HEAD 1/4 - 20 X 3/4 S.S.
3	F681427		1	BRACKET
4	F681741		1	RING, RETAINER
5	F681428		1	INSERT, STARTER HOUSING ROPE
6	F681970		1	SPRING, STARTER REWIND
7	F681971		1	PLUG
8	F1832		1	LOCKNUT, 1/4 - 20
9	F1075		3	SCREW, FILL. HEAD 10 - 24 X 1/2
10	F681232		1	ROPE
11	FA681239		1	STARTER PULLEY ASSEMBLY W/PLUG AND SEAL
12	F681579		1	SEAL
13	F681592		3	RETAINER, STARTER PULLEY
14	F2209		3	SCREW, PAN HEAD 10 - 16 X 1/2 S.S.
15	F84026		2	SCREW, SHOULDER
16	FA681630		1	SUPPORT, HANDLE
17	F681090		1	PLATE, HANDLE SUPPORT
18	F2210		2	SCREW, PAN HEAD 1/4 - 14 X 1/2 S.S.
19	F681874		1	FASTENER, HANDLE SUPPORT PLATE
20	F681817		1	RETAINER, STARTER ROPE
21	F681132		1	HANDLE, STARTER ROPE

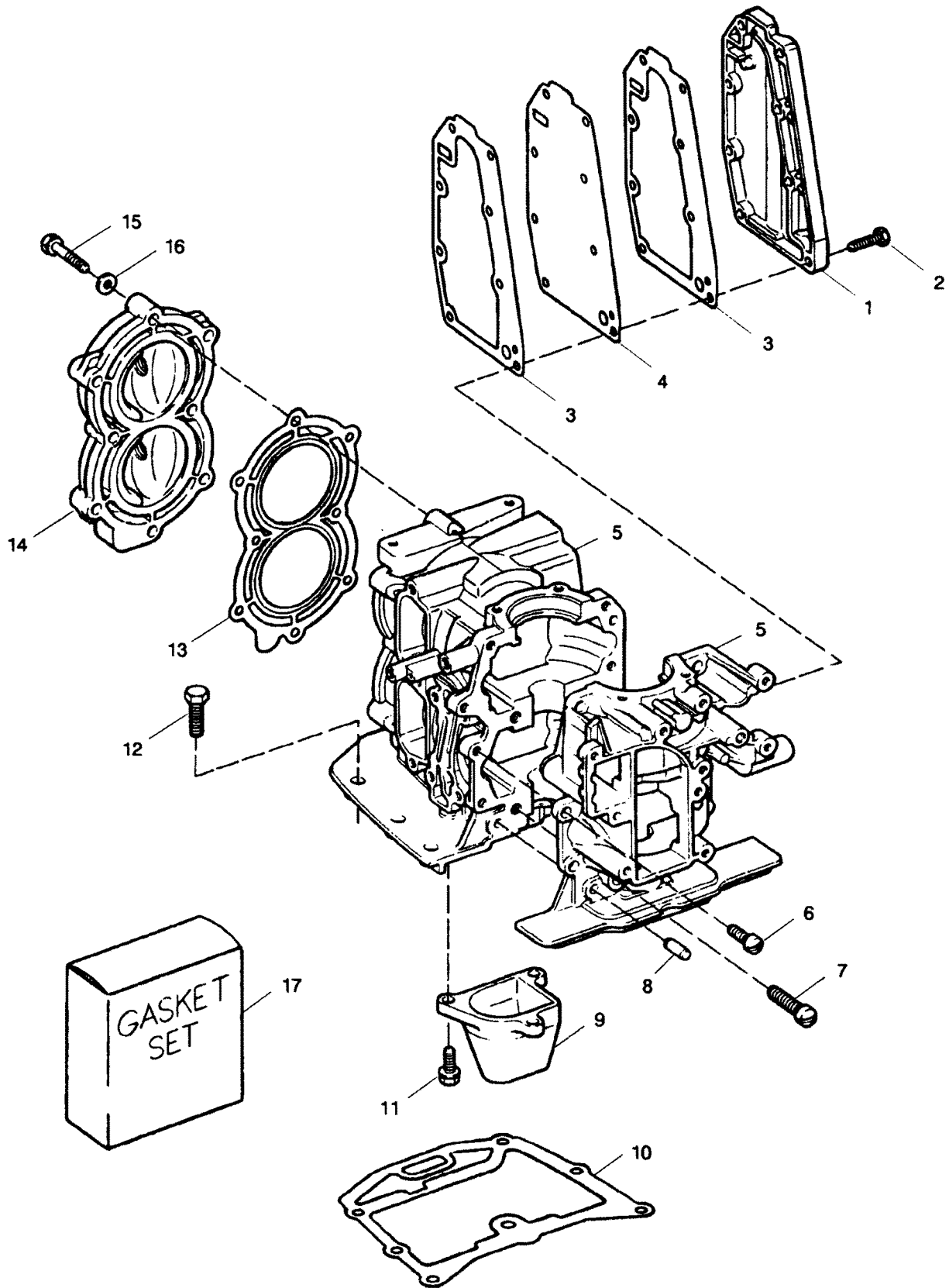
CRANKSHAFT AND PISTON



CRANKSHAFT AND PISTON

REF. NO.	PART NO.	SYM.	QTY.	DESCRIPTION
1	F1111		4	HEAD SCREW, 1/4 - 20 X 7/8
2	F346146		1	SEAL, CRANKSHAFT UPPER
3	1100-817753A1		1	CAGE, CRANKSHAFT W/SEAL
4	F73082		1	RING, MAGNETO STATOR
5	F286277		1	GASKET, CRANKSHAFT BEARING CAGE
6	F2A681018		1	CRANKSHAFT W/UPPER MAIN BEARING
7	F286028		1	BEARING, CRANKSHAFT UPPER
8	FA286155		1	CENTER MAIN BEARING LINER SET (2 PER SET)
9	F286571		1	CENTER MAIN BEARING ROLLER SET (26 PER SET)
10	817755A1		2	CONNECTING ROD LINER SET (2 PER SET)
11	FA517228		2	CONNECTING ROD ROLLER SET (2 PER SET)
12	F2A286016		2	ROD, CONNECTING W/CAP AND SCREWS
13	F286634-1		4	SCREW, CONNECTING ROD
14	F461342		1	SEAL, DRIVESHAFT SPLINE
15	F343014		1	BEARING, CRANKSHAFT LOWER MAIN
16	F141118		1	SEAL, CRANKSHAFT LOWER
17	F472015-2		2	PISTON
18	F31410		4	RETAINING RING, PISTON PIN
19	F174017		2	PIN, PISTON
20	FA472260		1	RING SET, PISTON (4 PER SET)

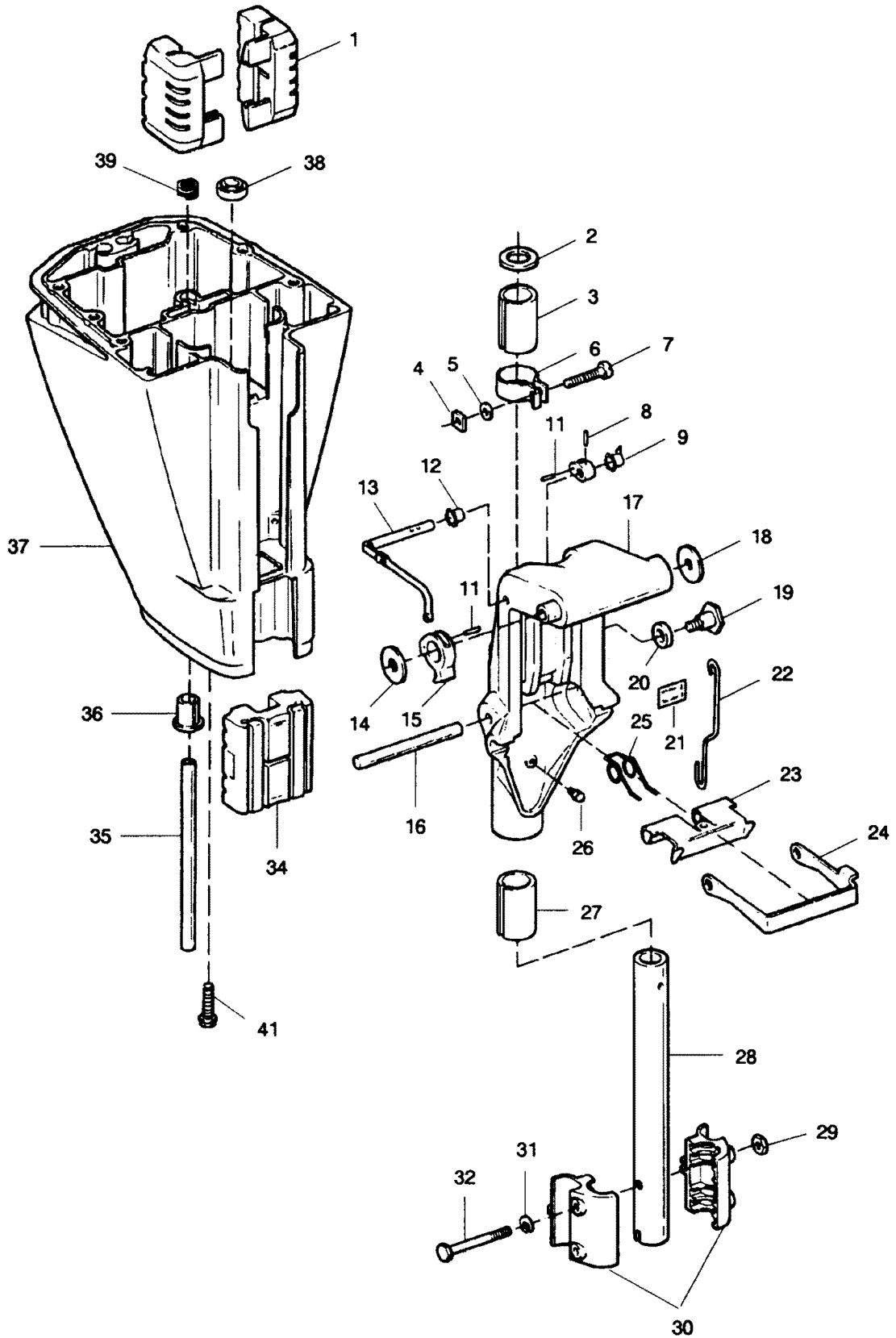
CYLINDER



CYLINDER

REF. NO.	PART NO.	SYM.	QTY.	DESCRIPTION
1	F286152		1	COVER, EXHAUST
2	F2008		8	HEX HEAD SCREW, 1/4 - 20 X 7/8
3	F286154		2	GASKET, EXHAUST COVER
4	F286151		1	PLATE, EXHAUST
5	F3A681010		1	CYLINDER
-	FC681010		1	SHORT BLOCK (CYLINDER WITH CRANKSHAFT, PISTONS AND RODS INSTALLED)
6	F1107		8	HEAD SCREW, 1/4 - 20 X 3/4
7	F1335		4	HEAD SCREW, 5/16 - 18 X 1 - 1/4
8	F8559		2	DOWEL PIN
9	F487660-1		1	EXHAUST TUBE
10	F286279-2		1	GASKET, CYLINDER MOUNT
11	F2040		3	HEX HEAD MACHINE SCREW, 1/4 - 20 X 5/8 S.S.
12	F1823		6	HEX HEAD CAP SCREW, 5/16 - 18 X 1
13	F286529-3		1	GASKET, CYLINDER HEAD
14	F286518		1	HEAD, CYLINDER
15	F901938-1		8	SCREW, CYLINDER HEAD
16	F8025		8	PLAIN WASHER
17	FG1005-2		1	GASKET SET (INCLUDES ALL GASKETS REQUIRED TO REBUILD POWER HEAD)

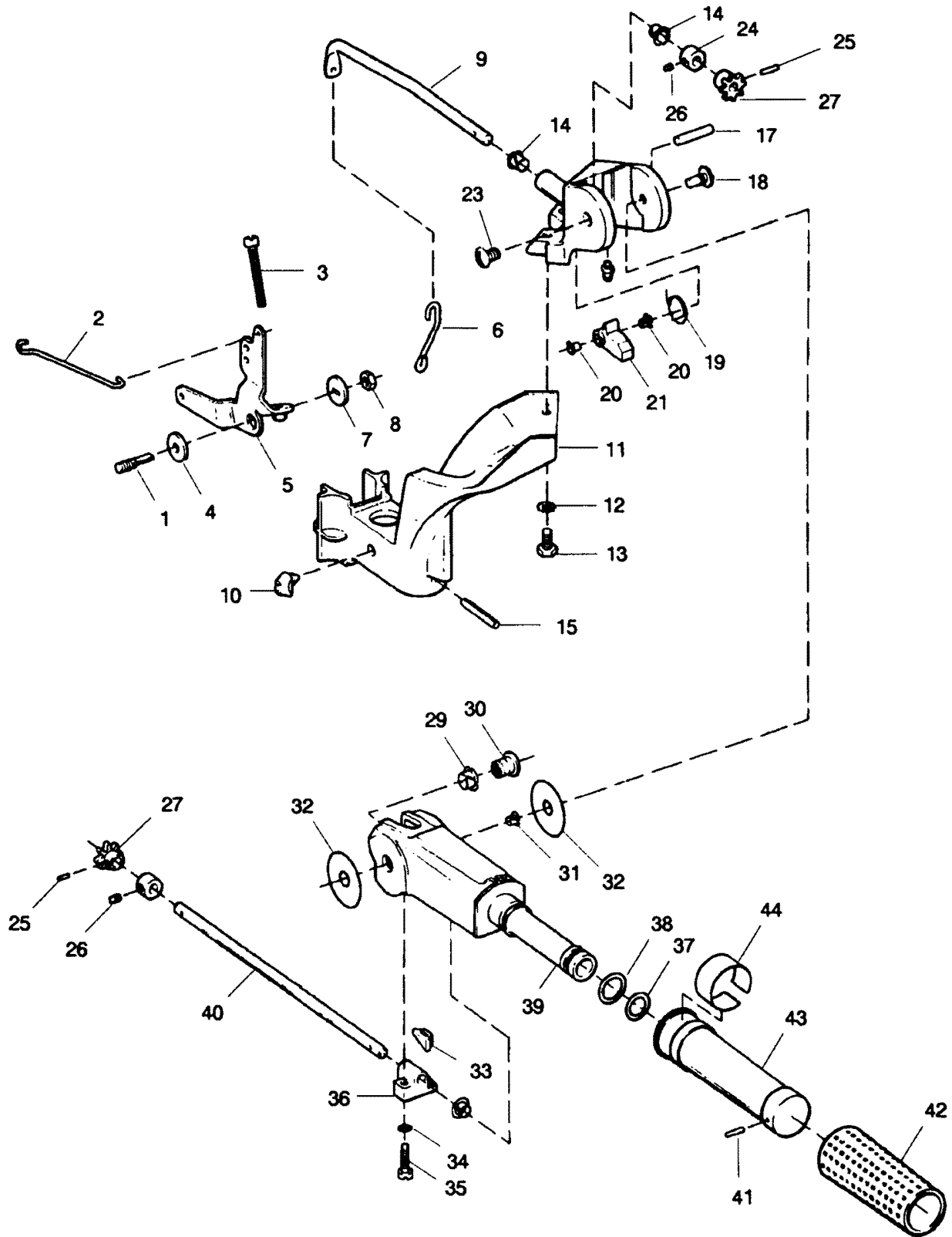
MOTOR LEG AND SWIVEL BRACKET



MOTOR LEG AND SWIVEL BRACKET

REF. NO.	PART NO.	SYM.	QTY.	DESCRIPTION
1	F286347		2	MOUNT, UPPER SHOCK
2	F286011		1	WASHER, SWIVEL BRACKET
3	F286169		1	BEARING, SWIVEL BRACKET
4	F1608		1	SQUARE NUT, 1/4 - 20
5	F1907		1	WASHER
6	F286573-1		1	CLAMP, STEERING FRICTION
7	F1820		1	HEAD SCREW, 1/4 - 20 X 1-3/8
8	F8538		2	SPRING PIN
9	F197813		1	BEARING
10	F286364		1	LEVER, REVERSE LOCK
11	F1794		1	SPRING PIN
12	F536813		1	BEARING
13	FA387742		1	LEVER, REVERSE LOCK INTERMEDIATE
14	F525286		1	WASHER
15	F286827		1	LEVER, REVERSE LOCK
16	F1806		1	GROOVE PIN
17	1400-817750A4		1	BRACKET, SWIVEL W/GREASE FITTING AND LOWER BEARING
18	F286286-1		1	WASHER
19	F286422-1		1	PIVOT, TILT LOCK
20	F286451		1	SPACER, TILT LOCK
21	F676585		1	DECAL, TILT LOCK
22	FA341510		1	LINK, REVERSE LOCK
23	F286349		1	REVERSE LOCK
24	F286433		1	BRACKET, REVERSE LOCK
25	F286300		1	SPRING, REVERSE LOCK
26	F213274		4	FITTING, GREASE
27	F286169		1	BEARING, LOWER SWIVEL BRACKET
28	F286019		1	KINGPIN
29	F1341		2	HEX NUT, 1/4 - 20
30	F286956		2	BRACKET, SHOCK MOUNT LOWER
31	F8083		2	SPRING LOCKWASHER
32	FA1844		2	HEX BOLT W/LOCKWASHER, 1/4 - 20 X 2-3/8 S.S.
34	F286346		1	MOUNT, LOWER SHOCK
35	F286244		1	LINE, WATER
36	F286914		1	SLEEVE, WATER LINE
37	F2A477133		1	LEG, MOTOR
38	F901307-2		1	SEAL, MOTOR LEG
39	F286414		1	SPRING, LEG WATER BRACKET
41	F430732		4	SCREW, S.S.

TILLER HANDLE AND THROTTLE LINKAGE

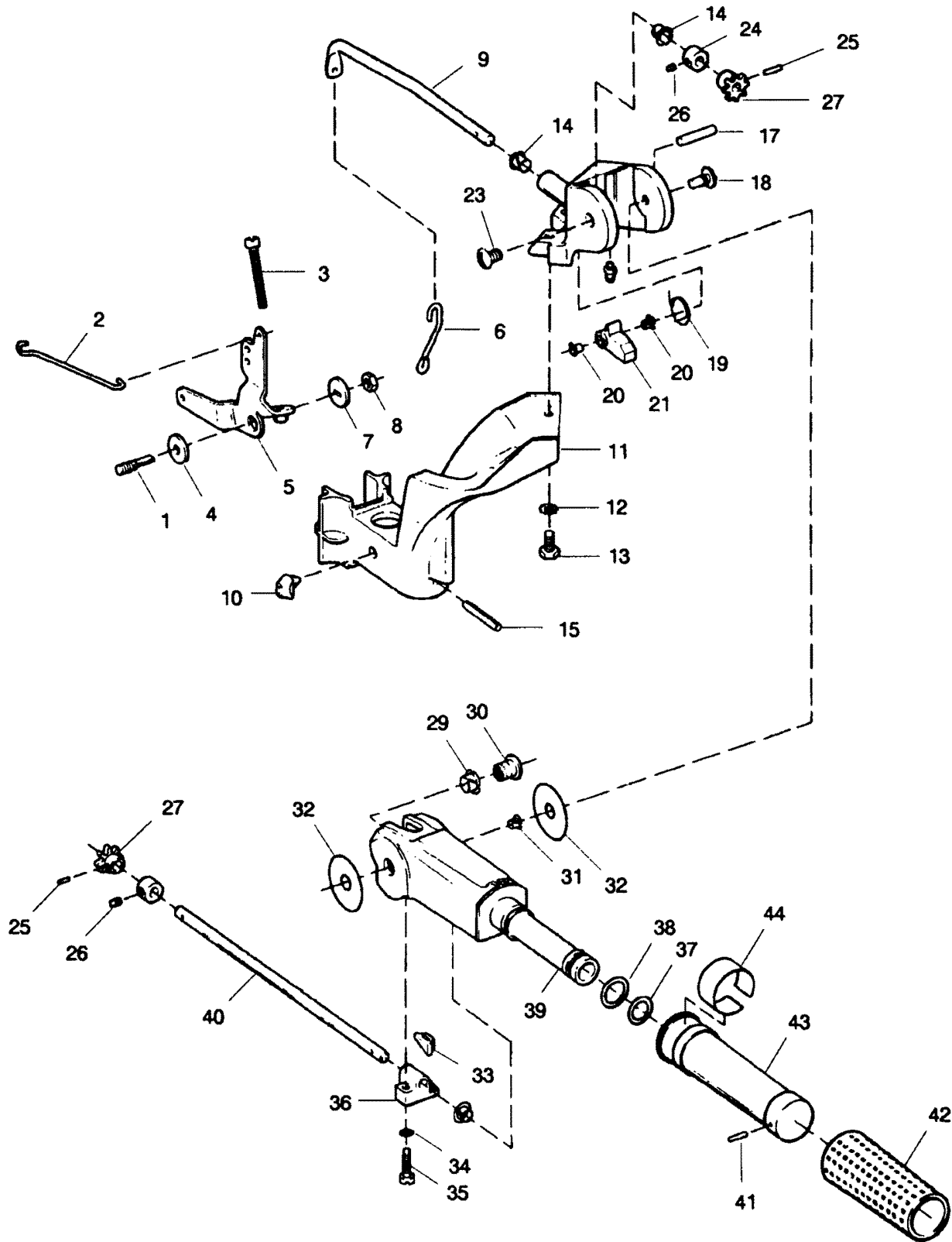


TILLER HANDLE AND THROTTLE LINKAGE

REF. NO.	PART NO.	SYM.	QTY.	DESCRIPTION
1	F286440		1	STUD, MAGNETO CONTROL LEVER
2	F286509		1	LINK, THROTTLE CAM
3	F2126		1	SLOTTED FILL. HEAD SCREW, 1/4 - 28 X 2
4	F183813		1	BEARING, MAGNETO CONTROL LEVER
5	817866A3		1	LEVER, MAGNETO CONTROL
6	F618445		1	LINK, MAGNETO SHAFT
7	F286282		1	WASHER
8	F1803		1	STOP NUT, 5/16 -24
9	F431838		1	SHAFT, MAGNETO CONTROL
10	F286539		1	BUMPER
11	FA286582		1	ARM, STEERING W/BUMPER AND SPRING PIN
12	F8060		2	EXTERNAL TOOTH LOCKWASHER
13	F1922		2	HEX CAP SCREW, 1/4 - 20
14	F307818		2	BEARING
15	F1805		1	SPRING PIN
16	F213274		1	FITTING, GREASE
17	F1807		1	GROOVE PIN
18	F286080		1	SCREW, STEERING HANDLE PIVOT
19	F286868		1	SPRING, STEERING HANDLE STOP
20	F197813		2	BEARING, STEERING HANDLE STOP
21	F286490		1	STOP, STEERING HANDLE
22	817751A3		1	BRACKET, STEERING HANDLE W/GREASE FITTING
23	F1799		1	TRUSS HEAD SCREW, 5/16 - 18 X 5/8
24	FA343178		2	RETAINER W/SET SCREW
25	F1978		2	SPRING PIN
26	F1859		2	HEX HEADLESS SOCKET SET SCREW
27	43-818009--1		2	GEAR, MAGNETO CONTROL SHAFT
28	F85610		1	BEARING
29	F286818		1	BEARING
30	F286224-1		1	INSERT, STEERING HANDLE PIVOT
31	F197813		1	BEARING
32	F286220		2	WASHER, STEERING HANDLE
33	F341693		1	WEDGE, STEERING HANDLE
34	F8058		2	INTERNAL TOOTH LOCKWASHER
35	F1829		2	HEAD SCREW, 10 - 24 X 7/8
36	F487816		1	BEARING, STEERING HANDLE
37	F215795		1	SEAL (SMALL)
38	F53795-1		1	SEAL (LARGE)
39	F286079-1		1	HANDLE, STEERING

CONTINUED ON NEXT PAGE ➡

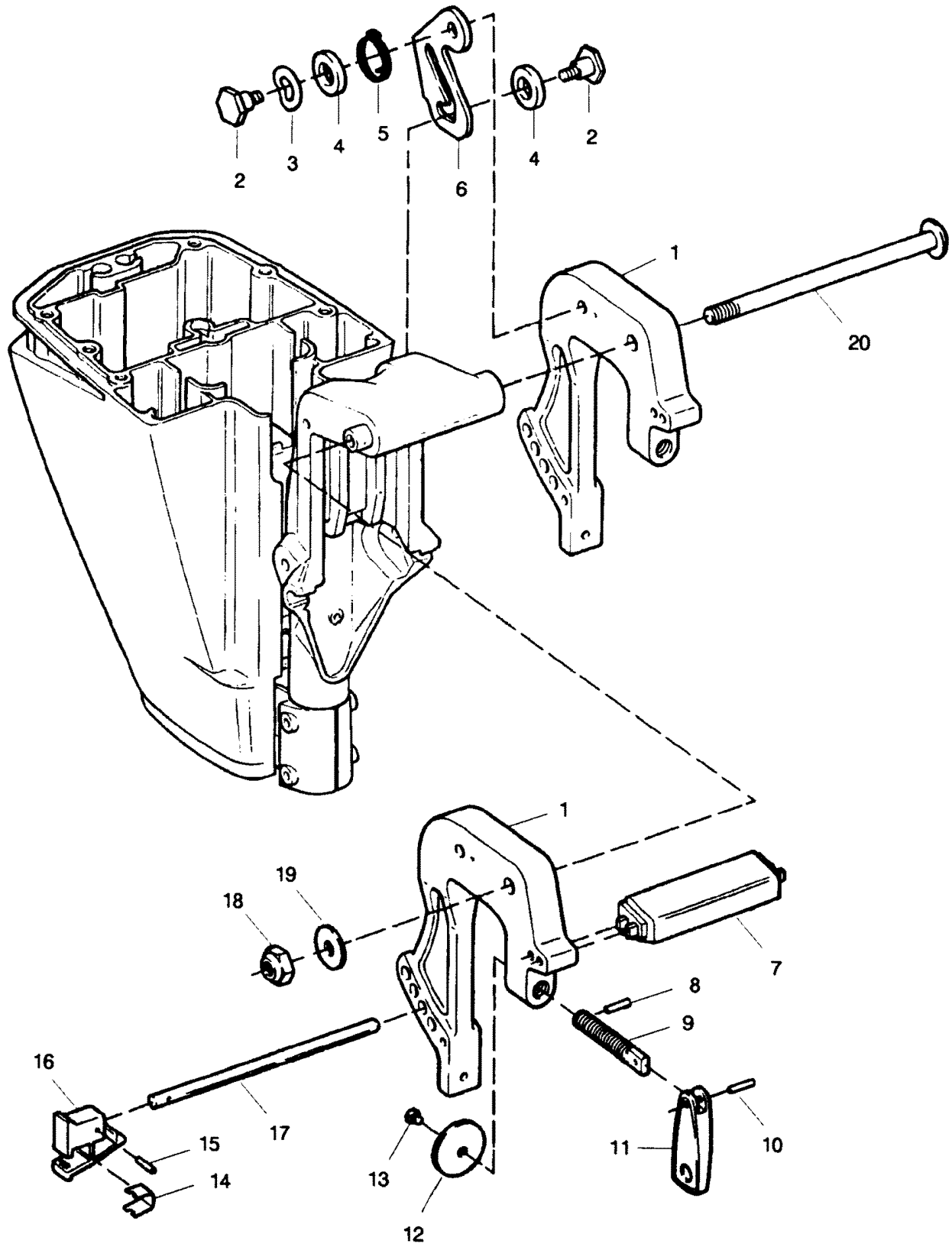
TILLER HANDLE AND THROTTLE LINKAGE



TILLER HANDLE AND THROTTLE LINKAGE

REF. NO.	PART NO.	SYM.	QTY.	DESCRIPTION
40	F429688		1	SHAFT, STEERING HANDLE
41	F8548		0	SPRING PIN
42	F458695		1	SLEEVE
43	FA456137		1	GRIP, STEERING HANDLE W/SLEEVE
44	FC618894		1	INDICATOR, STEERING HANDLE

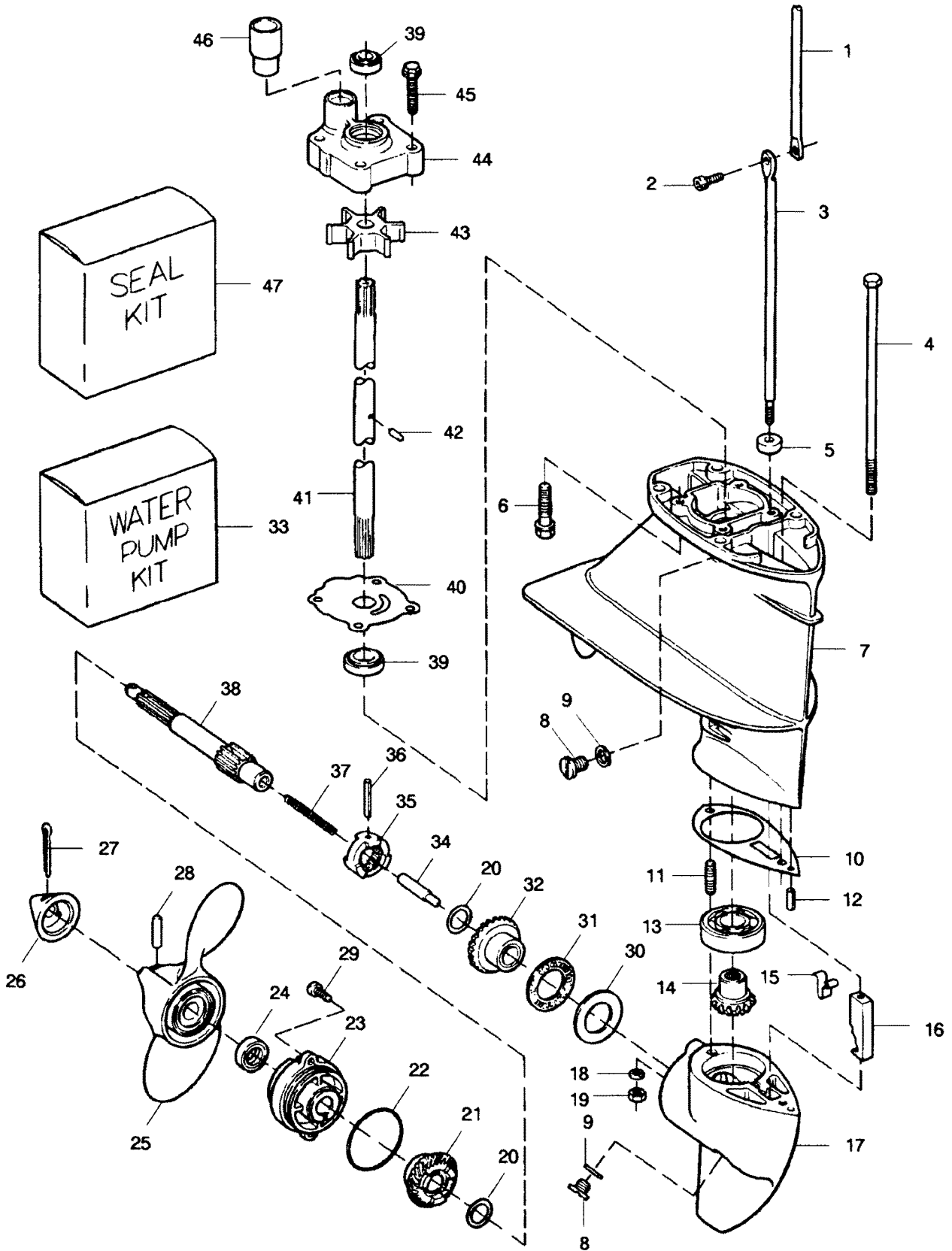
STERN BRACKETS



STERN BRACKETS

REF. NO.	PART NO.	SYM.	QTY.	DESCRIPTION
1	FS617532		2	STERN BRACKET W/CLAMP SCREW
2	F286422-1		2	PIVOT
3	F1666		1	BOWED SPRING WASHER
4	F286451		2	SPACER
5	F286544-1		1	SPRING, TILT STOP
6	F429541		1	LOCK, TILT
7	F286647		1	HANDLE, CARRYING
8	F8537		2	SPRING PIN
9	817761A2		2	CLAMP SCREW W/HANDLE AND FOOT
10	F8554		2	SPRING PIN
11	F424075		2	HANDLE, CLAMP SCREW
12	F24074		2	FOOT, CLAMP SCREW
13	F66480		2	STUD, CLAMP SCREW
14	F286461		1	SPRING, LOCK BAR HANDLE
15	F8540		1	SPRING PIN
16	F286114		1	HANDLE, LOCK BAR
17	FA617113		1	LOCK BAR W/HANDLE
18	F7026		1	STOP NUT, 3/8 - 16
19	F2014		1	WASHER

GEAR HOUSING

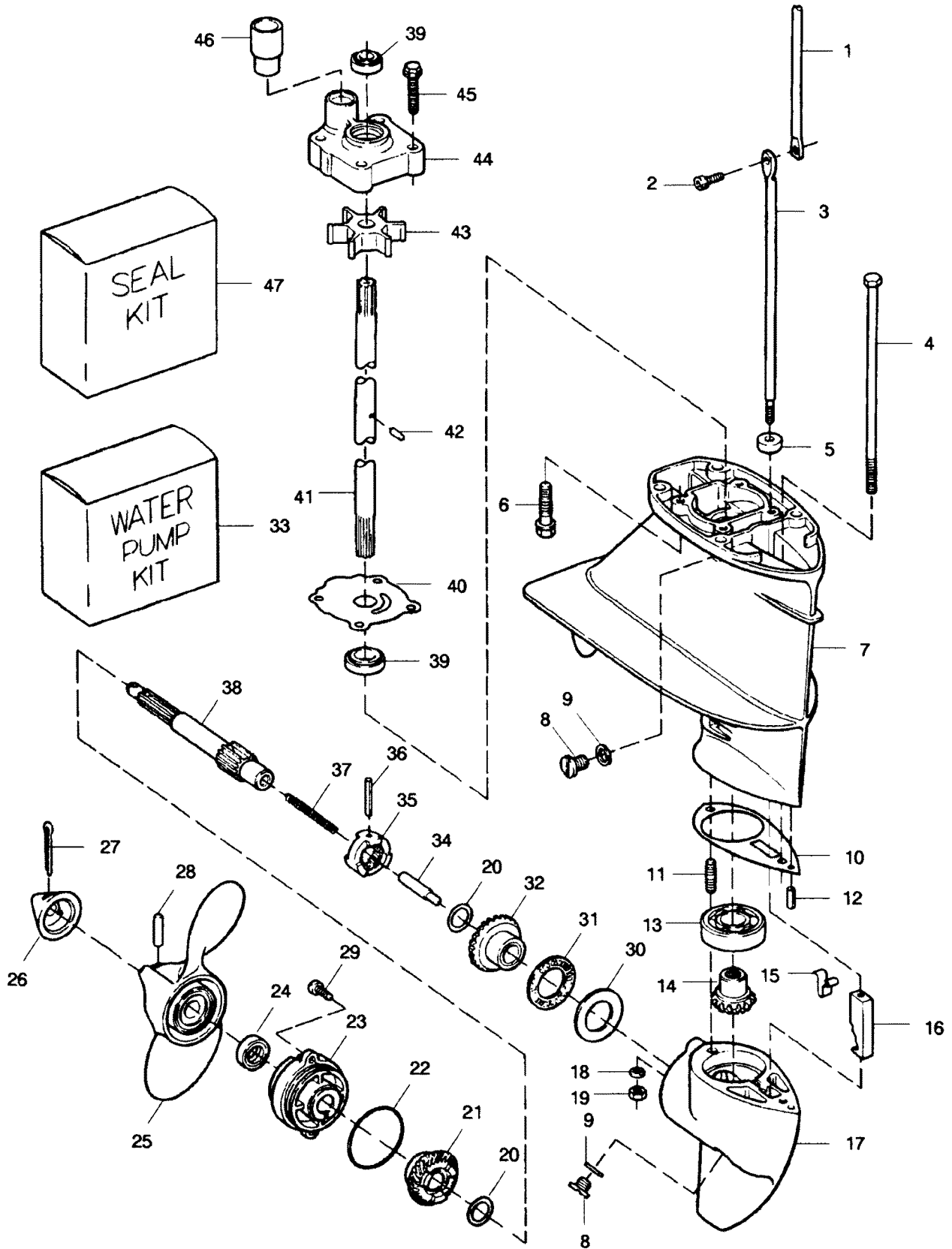


GEAR HOUSING

REF. NO.	PART NO.	SYM.	QTY.	DESCRIPTION
1	F286615		1	GEAR SHIFT ROD, UPPER
2	F1976		1	SOCKET HEAD CAP SCREW W/LOCKWASHER, 10 - 24 X 1/2
3	F286705-1		1	GEAR SHIFT ROD, LOWER (15 INCH TRANSOM MODELS)
4	F1800		1	HEX BOLT, 1/4 - 20 X 7
5	F338618-1		1	SEAL, SHIFT ROD LOWER
6	F430732		4	HEX HEAD SCREW, 1/4 - 20 X 1
7	1600-824916A1		1	GEAR HOUSING UPPER W/BEARING, PLUGS AND SEALS
8	F50109		2	PLUG, GEAR HOUSING
9	F8077		2	NYLTITE WASHER
10	F286555		1	GASKET, GEAR HOUSING
11	F286008		1	STUD, REAR
12	F8553		1	SPRING PIN
13	F127910-2		1	BALL BEARING
14	FA286266		1	GEAR, BEVEL PINION W/BALL BEARING
15	F286895		1	SPRING, CAM DETENT
16	F286721		1	CAM, SHIFT
17	FA286054		1	GEAR HOUSING LOWER W/PROP SHAFT BEARING AND PLUG
-	FC456054		1	GEAR HOUSING KIT (INCLUDES ALL ITEMS REQUIRED TO BUILD COMPLETE LOWER GEAR HOUSING)
18	F8083		1	SPRING LOCKWASHER
19	F1490		1	HEX NUT, 1/4 -20
20	F456717		2	THRUST WASHER
21	FA456662		1	GEAR, BEVEL REAR W/BEARING
22	F455305		1	SEAL, PROP SHAFT BEARING CAGE
23	31-817756A2		1	CAGE, PROP SHAFT BEARING W/BEARING END SEALS
24	F346118		1	SEAL, PROP SHAFT
25	FP286-1		1	PROPELLER, 8-1/4 X 8-1/4, ALUMINUM, 2 BLADE
26	11-817752A1		1	PROPELLER NUT W/COTTER PIN
27	F1846		1	COTTER PIN
28	FA324101		1	PROPELLER PIN, PACK OF 3 W/COTTER PIN
29	F1493		2	HEAD SCREW, 1/4 - 20 X 5/8
30	F286903		1	RACE, PROPELLER SHAFT BEARING
31	F286901		1	BEARING, PROPELLER SHAFT
32	FA456023		1	GEAR, FRONT BEVEL W/BEARING
33	FK1031-1		1	WATER PUMP KIT
34	F286728		1	SHIFT PIN
35	FA456521		1	CLUTCH
36	F8564		1	SPRING PIN
37	F409719		1	SPRING, CLUTCH
38	F456098		1	PROPELLER SHAFT
39	F901307-2		2	SEAL, DRIVESHAFT
40	F341562		1	WATER PUMP BACKPLATE
41	F343128		1	DRIVESHAFT (15 INCH TRANSOM MODELS)

CONTINUED ON NEXT PAGE ➡

GEAR HOUSING



GEAR HOUSING

REF. NO.	PART NO.	SYM.	QTY.	DESCRIPTION
42	F901563		1	PIN, IMPELLER DRIVE
43	F436065-2		1	IMPELLER, WATER PUMP
44	FA504060		1	WATER PUMP BODY W/DRIVESHAFT SEAL
45	F2030		4	HEX HEAD SCREW, 1/4 -20 X 1-1/4 S.S.
46	FA510914		1	SEAL, WATER LINE
47	FK1065		1	SEAL KIT

FUEL TANK AND LINE

REF. NO.	PART NO.	SYM.	QTY.	DESCRIPTION
1	FA84754-1		1	HOSE
2	F298788		1	FERRULE
3	32-817738A1		1	HOSE
4	89396A38		1	BULB, PRIME
5	F197787-3		1	COUPLER
6	F17815		1	SEAL
7	F17816		1	SEAL
8	F17820		1	CAP, FUEL TANK
9	F17826		1	FLOAT
10	F17828		1	GAUGE ASSEMBLY
11	F17824		6	SCREW
12	F17827		1	SEAL
13	F17823		1	GASKET
14	F17822		1	GASKET
15	F5H214		1	FUEL TANK W/LINE (6 GALLON)
16	F702801		1	FITTING, FUEL
-	F703398		2	DECAL, FUEL MIX (NOT SHOWN)

PARTS INDEX

Part Number	Description	Pg.	Ref. No.	Part Number	Description	Pg.	Ref. No.
10259	JET, MAIN FUEL (.059) 5000 - 7500 FT.	9	-	F1704	LOCKWASHER, #6 S.S.	7	3
10260	JET, MAIN FUEL (.057) 7500 - 10000 FT.	9	-	F174017	PIN, PISTON	17	19
817751A3	BRACKET, STEERING HANDLE W/GREASE FITTING	23	22	F1755	ROUND HEAD SCREW W/LOCKWASHER, 6 - 32 X 5/16	7	2
817755A1	CONNECTING ROD LINER SET (2 PER SET)	17	10	F17815	SEAL	33	6
817761A2	CLAMP SCREW W/HANDLE AND FOOT	27	9	F17816	SEAL	33	7
817866A3	LEVER, MAGNETO CONTROL	23	5	F17820	CAP, FUEL TANK	33	8
89396A38	BULB, PRIME	33	4	F17822	GASKET	33	14
F10235	TUBE, BY-PASS	9	3	F17823	GASKET	33	13
F10236	SHUTTER, CHOKE	9	7	F17824	SCREW	33	11
F10237	INLET NEEDLE, SEAT AND GASKET	9	18	F17826	FLOAT	33	9
F10238	NOZZLE, MAIN	9	21	F17827	SEAL	33	12
F10239	LINKAGE, THROTTLE	9	22	F17828	GAUGE ASSEMBLY	33	10
F10240	SHAFT, THROTTLE LINKAGE	9	23	F1794	SPRING PIN	21	11
F10241	"E" RING, THROTTLE LINKAGE SHAFT	9	24	F1799	TRUSS HEAD SCREW, 5/16 - 18 X 5/8	23	23
F10242	WASHER, THROTTLE LINKAGE SHAFT	9	25	F1800	HEX BOLT, 1/4 - 20 X 7	29	4
F10246	SPRING, THROTTLE SHAFT RETURN	9	28	F1803	STOP NUT, 5/16 -24	23	8
F10261	JET, MAIN FUEL (.061) 2500 - 5000 FT.	9	-	F1804	STOP NUT, 10 - 32	5	17
F1069	HEAD SCREW, 10 - 24 X 1- 1/16	7	23	F1805	SPRING PIN	23	15
F1075	SCREW, 10 - 24 X 1/2	13	24	F1806	GROOVE PIN	21	16
F1075	SCREW, FILL. HEAD 10 - 24 X 1/2	15	9	F1807	GROOVE PIN	23	17
F1090	SCREW W/LOCKWASHER, 10 - 24 X 9/16	13	10	F18160-3	REED, FUEL PUMP	7	28
F1107	HEAD SCREW, 1/4 - 20 X 3/4	19	6	F1820	HEAD SCREW, 1/4 - 20 X 1- 3/8	21	7
F1111	HEAD SCREW, 1/4 - 20 X 7/8	17	1	F1823	HEX HEAD CAP SCREW, 5/16 - 18 X 1	19	12
F12088	GROMMET	13	18	F1829	HEAD SCREW, 10 - 24 X 7/8	23	35
F12376	WIRE, MAGNETO SHORTING	13	4	F1832	LOCKNUT 1/4 - 20	5	9
F12377	STATOR, PLATE W/LAMINATIONS	13	15	F1832	LOCKNUT, 1/4 - 20	15	8
F12378	SPRING, COIL WEDGE	13	17	F1832	LOCKNUT, 1/4 - 20 S.S.	3	10
F12379	COIL	13	16	F183813	BEARING, MAGNETO CONTROL LEVER	23	4
F12380	SCREW (PLASTIC)	13	8	F1846	COTTER PIN	29	27
F12381	WASHER (PLASTIC)	13	9	F1854	HEX HEAD CAP SCREW, 1/4 - 20 X 5/8	3	23
F12382	SCREW	13	11	F1859	HEX HEADLESS SOCKET SET SCREW	23	26
F127910-2	BALL BEARING	29	13	F1864	SCREW, HEX HEAD 1/4 - 20 X 3/4 S.S.	15	2
F1286	PAN HEAD SCREW, 4 - 40 X 3/16	7	26	F18906	GASKET, CARBURETOR ...	7	11
F1335	HEAD SCREW, 5/16 - 18 X 1 - 1/4	19	7	F1907	WASHER	21	5
F1341	HEX NUT, 1/4 - 20	21	29	F1922	HEX CAP SCREW, 1/4 - 20 .	23	13
F141118	SEAL, CRANKSHAFT LOWER	17	16	F1922	HEX HEAD SCREW, 1/4 - 20 X 5/8	7	17
F1490	HEX NUT, 1/4 - 20	7	12	F1976	SOCKET HEAD CAP SCREW W/LOCKWASHER, 10 - 24 X 1/2	29	2
F1490	HEX NUT, 1/4 - 20	29	19	F197767-2	BUSHING (FUEL LINE)	7	36
F1493	HEAD SCREW, 1/4 - 20 X 5/8	29	29	F197787-3	COUPLER	33	5
F1608	SQUARE NUT, 1/4 - 20	21	4	F1978	SPRING PIN	23	25
F1666	BOWED SPRING WASHER .	27	3	F197813	BEARING	21	9
				F197813	BEARING	23	31
				F197813	BEARING, STEERING HANDLE STOP	23	20
				F2008	HEX HEAD SCREW, 1/4 - 20 X 7/8	7	13
				F2008	HEX HEAD SCREW, 1/4 - 20 X 7/8	19	2

PARTS INDEX

Part Number	Description	Pg.	Ref. No.	Part Number	Description	Pg.	Ref. No.
F2014	WASHER	27	19	F286364	LEVER, REVERSE LOCK	21	10
F2030	HEX HEAD SCREW, 1/4 -20 X 1-1/4 S.S.	31	45	F286414	SPRING, LEG WATER BRACKET	21	39
F2040	HEX HEAD MACHINE SCREW, 1/4 - 20 X 5/8 S.S.	19	11	F286422-1	PIVOT	27	2
F2042	WASHER	3	2	F286422-1	PIVOT, TILT LOCK	21	19
F2126	SLOTTED FILL. HEAD SCREW, 1/4 - 28 X 2	23	3	F286433	BRACKET, REVERSE LOCK	21	24
F213274	FITTING, GREASE	21	26	F286440	STUD, MAGNETO CONTROL LEVER	23	1
F213274	FITTING, GREASE	23	16	F286451	SPACER	27	4
F215795	SEAL (SMALL)	23	37	F286451	SPACER, TILT LOCK	21	20
F2209	PAN HEAD SELF TAPPING SCREW 10 - 16	5	4	F286461	SPRING, LOCK BAR HANDLE	27	14
F2209	SCREW, PAN HEAD 10 - 16 X 1/2 S.S.	15	14	F286490	STOP, STEERING HANDLE	23	21
F2210	SCREW, PAN HEAD 1/4 - 14 X 1/2 S.S.	15	18	F286509	LINK, THROTTLE CAM	23	2
F2211	HEX HEAD CAP SCREW, 10 - 24 X 5/8 S.S.	3	1	F286518	HEAD, CYLINDER	19	14
F2215	HEX SET SCREW, #6 - 32 X 3/16	9	33	F286529-3	GASKET, CYLINDER HEAD	19	13
F24074	FOOT, CLAMP SCREW	27	12	F286539	BUMPER	23	10
F24748-2	GASKET, FUEL PUMP	7	25	F286544-1	SPRING, TILT STOP	27	5
F2706772	HOSE CLAMP	7	14	F286547	KNOB, CHOKE	11	38
F2788004	STUD, CARBURETOR	7	10	F286555	GASKET, GEAR HOUSING	29	10
F286008	STUD, REAR	29	11	F286571	GASKET, GEAR HOUSING CENTER MAIN BEARING ROLLER SET (26 PER SET)	17	9
F286011	WASHER, SWIVEL BRACKET	21	2	F286573-1	CLAMP, STEERING FRICTION	21	6
F286019	KINGPIN	21	28	F286611-1	ROD, GEARSHIFT	5	18
F286028	BEARING, CRANKSHAFT UPPER	17	7	F286614	HANDLE, GEARSHIFT	5	29
F286079-1	HANDLE, STEERING	23	39	F286615	GEAR SHIFT ROD, UPPER	29	1
F286080	SCREW, STEERING HANDLE PIVOT	23	18	F286615	ROD, GEARSHIFT UPPER	5	13
F286114	HANDLE, LOCK BAR	27	16	F286634-1	SCREW, CONNECTING ROD	17	13
F286134	STUD, GEARSHIFT LEVER	5	27	F286647	HANDLE, CARRYING	27	7
F286151	PLATE, EXHAUST	19	4	F286685	CONNECTOR, GEARSHIFT ROD	5	20
F286152	COVER, EXHAUST	19	1	F286705-1	GEAR SHIFT ROD, LOWER (15 INCH TRANSOM MODELS)	29	3
F286154	GASKET, EXHAUST COVER	19	3	F286721	CAM, SHIFT	29	16
F286159-1	GASKET, REED PLATE	7	5	F286728	SHIFT PIN	29	34
F286169	BEARING, LOWER SWIVEL BRACKET	21	27	F286772-1	CLAMP	7	18
F286169	BEARING, SWIVEL BRACKET	21	3	F286818	BEARING	23	29
F286220	WASHER, STEERING HANDLE	23	32	F286827	LEVER, REVERSE LOCK	21	15
F286222	COVER, TRANSFER PORT	7	31	F286868	SPRING, STEERING HANDLE STOP	23	19
F286223	GASKET TRANSFER PORT COVER	7	32	F286871	PIN, GEARSHIFT LEVER	5	25
F286224-1	INSERT, STEERING HANDLE PIVOT	23	30	F286876	LEVER, GEARSHIFT	5	23
F286244	LINE, WATER	21	35	F286895	SPRING, CAM DETENT	29	15
F286277	GASKET, CRANKSHAFT BEARING CAGE	17	5	F286901	BEARING, PROPELLER SHAFT	29	31
F286279-2	GASKET, CYLINDER MOUNT	19	10	F286903	RACE, PROPELLER SHAFT BEARING	29	30
F286282	WASHER	23	7	F286914	SLEEVE, WATER LINE	21	36
F286286-1	WASHER	21	18	F286956	BRACKET, SHOCK MOUNT LOWER	21	30
F286300	SPRING, REVERSE LOCK	21	25	F286989-2	SEAL, SUPPORT PLATE	3	16
F286346	MOUNT, LOWER SHOCK	21	34	F289664	WIRE, STATOR GROUND	13	14
F286347	MOUNT, UPPER SHOCK	21	1	F298788	FERRULE	33	2
F286349	REVERSE LOCK	21	23	F2A24757	PLATE, FUEL PUMP W/REEDS	7	29
				F2A286016	ROD, CONNECTING W/CAP AND SCREWS	17	12

PARTS INDEX

Part Number	Description	Pg.	Ref. No.	Part Number	Description	Pg.	Ref. No.
F2A477133	LEG, MOTOR	21	37	F536813	BEARING	21	12
F2A681018	CRANKSHAFT W/UPPER MAIN BEARING	17	6	F53795-1	SEAL (LARGE)	23	38
F2C705712	COVER, COMPLETE (PAINTED W/DECALS - 15 HP)	3	-	F5H214	FUEL TANK W/LINE (6 GALLON)	33	15
F307818	BEARING	3	19	F617192	PLATE, THROTTLE CAM	13	25
F307818	BEARING	5	26	F617503	ROD, CHOKE	11	39
F307818	BEARING	23	14	F618445	LINK, MAGNETO SHAFT	23	6
F31160-1	REED	7	6	F66480	STUD, CLAMP SCREW	27	13
F31410	RETAINING RING, PISTON PIN	17	18	F676585	DECAL, TILT LOCK	21	21
F338618-1	SEAL, SHIFT ROD LOWER	29	5	F681003	ARM, STARTER INTERLOCK	5	2
F341384	RETAINER, CHOKE ROD	11	40	F681008	STUD	5	7
F341562	WATER PUMP BACKPLATE	29	40	F681026	SCREW, LATCH ROLLER	3	12
F341693	WEDGE, STEERING HANDLE	23	33	F681033	SWIVEL	9	32
F343014	BEARING, CRANKSHAFT LOWER MAIN	17	15	F681046	BULB, PRIME	7	34
F343128	DRIVESHAFT (15 INCH TRANSOM MODELS)	29	41	F681090	PLATE, HANDLE SUPPORT	15	17
F343226-1	PLUG	3	17	F681091	NUT, FLYWHEEL	13	1
F346118	SEAL, PROP SHAFT	29	24	F681132	HANDLE, STARTER ROPE	15	21
F346146	SEAL, CRANKSHAFT UPPER	17	2	F681134	STUD	5	6
F392756	PACKING	3	13	F681232	ROPE	15	10
F3A681010	CYLINDER	19	5	F681243	HOSE (PRIME BULB TO CARBURETOR)	7	35
F40253-1	FUEL LINE (SUPPORT PLATE TO FUEL PUMP)	7	15	F681263	LINK, INTERLOCK	5	15
F409719	SPRING, CLUTCH	29	37	F681269	HANDLE, TILT	3	3
F424075	HANDLE, CLAMP SCREW	27	11	F681329	LANYARD	13	7
F424161	REED STOP, 15 HP	7	4	F681408	HOUSING	15	1
F424168-1	GASKET, MANIFOLD	7	8	F681424	SPRING, INTERLOCK	5	5
F429472	GASKET, CYLINDER DRAIN COVER	7	21	F681427	BRACKET	15	3
F429541	LOCK, TILT	27	6	F681428	INSERT, STARTER HOUSING ROPE	15	5
F429688	SHAFT, STEERING HANDLE	25	40	F681490	STOP, STARTER INTERLOCK	5	1
F429811	SCREEN	7	20	F681509	LINK, THROTTLE	9	26
F430732	HEX HEAD SCREW, 1/4 - 20 X 1	29	6	F681531	ROD, INTERLOCK	5	10
F430732	SCREW, S.S.	21	41	F681579	SEAL	15	12
F431838	SHAFT, MAGNETO CONTROL	23	9	F681592	RETAINER, STARTER PULLEY	15	13
F436065-2	IMPELLER, WATER PUMP	31	43	F681602	SWITCH, EMERGENCY STOP	13	6
F436280	NUT, SHORTING SWITCH	13	13	F681619	LEVER, SHIFT HANDLE SHAFT	5	30
F455305	SEAL, PROP SHAFT BEARING CAGE	29	22	F681711	PLATE, FRONT	3	15
F456098	PROPELLER SHAFT	29	38	F681741	RING, RETAINER	15	4
F456717	THRUST WASHER	29	20	F681742	LEVER, INTERMEDIATE INTERLOCK	5	16
F458498	KEY, MAGNETO	13	23	F681759	ROLLER, LATCH	3	11
F458677	INSERT, CHOKE KNOB	11	37	F681817	RETAINER, STARTER ROPE	15	20
F458695	SLEEVE	25	42	F681874	FASTENER, HANDLE SUPPORT PLATE	15	19
F461342	SEAL, DRIVESHAFT SPLINE	17	14	F681954	COVER, PRIME BULB	7	33
F472015-2	PISTON	17	17	F681970	SPRING, STARTER REWIND	15	6
F481777	CAM, LATCH	3	21	F681971	PLUG	15	7
F487660-1	EXHAUST TUBE	19	9	F681997	LEVER, NEUTRAL SPEED INTERLOCK	5	8
F487816	BEARING, STEERING HANDLE	23	36	F682061-1	CARBURETOR COMPLETE	9	34
F492417	SHAFT, GEARSHIFT HANDLE	5	14	F7009	LOCKNUT, 10 - 24 S.S.	3	4
F50109	PLUG, GEAR HOUSING	29	8	F7026	STOP NUT, 3/8 - 16	27	18
F525286	WASHER	21	14	F702801	FITTING, FUEL	33	16
				F703390	DECAL, START PROCEDURE (NOT SHOWN)	3	-

PARTS INDEX

Part Number	Description	Pg.	Ref. No.	Part Number	Description	Pg.	Ref. No.
F703398	DECAL, FUEL MIX (NOT SHOWN)	33	-	FA324101	PROPELLER PIN, PACK OF 3 W/COTTER PIN	29	28
F705396	DECAL, STARBOARD - 15 HP	3	8	FA341510	LINK, REVERSE LOCK	21	22
F705397	DECAL, PORT - 15 HP	3	-	FA343178	RETAINER W/SET SCREW	23	24
F705528	DECAL, REAR	3	7	FA387742	LEVER, REVERSE LOCK INTERMEDIATE	21	13
F73082	RING, MAGNETO STATOR	17	4	FA424158	REED PLATE W/REEDS AND REED STOPS - 15HP	7	7
F8003	PLAIN WASHER	7	27	FA424167	MANIFOLD W/STUDS	7	9
F8025	PLAIN WASHER	19	16	FA429471	COVER, CYLINDER DRAIN WITH CHECK VALVES AND SCREENS	7	19
F8048	BOWED SPRING WASHER	5	19	FA456023	GEAR, FRONT BEVEL W/BEARING	29	32
F8048	BOWED WASHER	3	20	FA456137	GRIP, STEERING HANDLE W/SLEEVE	25	43
F8058	INTERNAL TOOTH LOCKWASHER	5	22	FA456521	CLUTCH	29	35
F8058	INTERNAL TOOTH LOCKWASHER	23	34	FA456662	GEAR, BEVEL REAR W/BEARING	29	21
F8060	EXTERNAL TOOTH LOCKWASHER	23	12	FA472260	RING SET, PISTON (4 PER SET)	17	20
F8077	NYLTITE WASHER	29	9	FA504060	WATER PUMP BODY W/DRIVESHAFT SEAL	31	44
F8083	SPRING LOCKWASHER	3	22	FA510914	SEAL, WATER LINE	31	46
F8083	SPRING LOCKWASHER	21	31	FA517228	CONNECTING ROD ROLLER SET (2 PER SET)	17	11
F8083	SPRING LOCKWASHER	29	18	FA609853	DECAL, SHIFT WARNING	13	2
F8088	WASHER	9	31	FA617113	LOCK BAR W/HANDLE	27	17
F8143	WASHER, PLAIN #10	5	3	FA681038	SUPPORT PLATE	3	14
F84026	SCREW, SHOULDER	5	12	FA681239	STARTER PULLEY ASSEMBLY W/PLUG AND SEAL	15	11
F84026	SCREW, SHOULDER	15	15	FA681469	HANDLE, COVER LATCH	3	18
F84035-2	BEARING, CONTROL ROD	5	11	FA681630	SUPPORT, HANDLE	15	16
F8537	SPRING PIN	27	8	FA688097	FLYWHEEL	13	3
F8538	SPRING PIN	21	8	FA84754-1	HOSE	33	1
F8540	SPRING PIN	5	28	FC456054	GEAR HOUSING KIT	29	-
F8540	SPRING PIN	27	15	FC618894	INDICATOR, STEERING HANDLE	25	44
F8542	SPRING PIN	5	24	FC681010	SHORT BLOCK	7	1
F8548	SPRING PIN	25	41	FC681010	SHORT BLOCK	19	-
F8553	SPRING PIN	29	12	FG1005-2	GASKET SET	19	17
F8554	SPRING PIN	27	10	FK10243	GASKET SET	9	35
F8559	DOWEL PIN	19	8	FK10244	REPAIR PARTS KIT	11	36
F85610	BEARING	23	28	FK1031-1	WATER PUMP KIT	29	33
F8564	SPRING PIN	29	36	FK1065	SEAL KIT	31	47
F901307-2	SEAL, DRIVESHAFT	29	39	FK1123	SPARKIE W/SPRING	13	20
F901307-2	SEAL, MOTOR LEG	21	38	FO10165	GASKET, INLET SEAT	9	19
F901563	PIN, IMPELLER DRIVE	31	42	FO10280	SCREW, CHOKE SHUTTER RETAINING	9	8
F901746-2	COVER, FUEL PUMP	7	24	FO10280	SCREW, THROTTLE SHUTTER RETAINING	9	30
F901754	FUEL LINE (FUEL PUMP TO CARBURETOR)	7	16	FO10588	PLUG, CUP	9	2
F901811	FILTER, FUEL	7	22	FO11103	SPRING, IDLE MIXTURE NEEDLE	9	17
F901938-1	SCREW, CYLINDER HEAD	19	15	FO11385	JET, MAIN FUEL (.063) SEA LEVEL - 2500 FT.	9	20
F9030	RETAINER	9	9	FO13554	FLOAT	9	10
F98273	STUD, GEARSHIFT ROD CONNECTOR	5	21	FO13944	PIN, FLOAT	9	11
FA1844	HEX BOLT W/LOCKWASHER, 1/4 - 20 X 2-3/8 S.S.	21	32				
FA286054	GEAR HOUSING LOWER W/PROP SHAFT BEARING AND PLUG	29	17				
FA286155	CENTER MAIN BEARING LINER SET (2 PER SET)	17	8				
FA286266	GEAR, BEVEL PINION W/BALL BEARING	29	14				
FA286582	ARM, STEERING W/BUMPER AND SPRING PIN	23	11				

PARTS INDEX

Part Number	Description	Pg.	Ref. No.	Part Number	Description	Pg.	Ref. No.
FO15366	BOWL, FUEL	9	12				
FO15520	NEEDLE, IDLE MIXTURE . . .	9	16				
FO15623	GASKET, FUEL BOWL	9	13				
FO15736	SHAFT, CHOKE	9	6				
FO15757	SHAFT, THROTTLE	9	27				
FO16878	SHUTTER, THROTTLE	9	29				
FO2510	GASKET, FUEL BOWL RETAINING SCREW	9	15				
FO2531	PLUG, WELCH	9	1				
FO4784	BALL, CHOKE FRICTION . . .	9	4				
FO8805	SPRING, CHOKE FRICTION	9	5				
FP286-1	PROPELLER, 8-1/4 X 8-1/4, ALUMINUM, 2 BLADE . . .	29	25				
FS617532	STERN BRACKET W/CLAMP SCREW	27	1				
FS681712	COVER, BASIC (UNPAINTED)	3	5				
11-817752A1	PROPELLER NUT W/COTTER PIN	29	26				
27-818043A1	FUEL PUMP DIAPHRAGM W/GASKETS	7	30				
31-817756A2	CAGE, PROP SHAFT BEARING W/BEARING END SEALS	29	23				
32-817738A1	HOSE	33	3				
33-82370M	SPARK PLUG (CHAMPION L- 82C)	13	21				
43-818009--1	GEAR, MAGNETO CONTROL SHAFT	23	27				
87-817952A1	SWITCH, STOP W/NUT	13	5				
1100-817753A1	CAGE, CRANKSHAFT W/SEAL	17	3				
1400-817750A4	BRACKET, SWIVEL W/GREASE FITTING AND LOWER BEARING	21	17				
1600-824916A1	GEAR HOUSING UPPER W/BEARING, PLUGS AND SEALS	29	7				